

# DNA Methylation and Trinucleotide Repeat Expansion Diseases

Mark A. Pook

*Division of Biosciences,  
School of Health Sciences and Social Care,  
Brunel University, Uxbridge  
UK*

## 1. Introduction

DNA methylation of CpG dinucleotides is essential for mammalian development, X inactivation, genomic imprinting, and may also be involved in immobilization of transposons and the control of tissue-specific gene expression (Bird & Wolffe, 1999). The common theme in each of these processes is gene silencing. Therefore, gene silencing is a major biological consequence of DNA methylation. As such, DNA methylation can play a very important role in human disease. For example, DNA methylation-induced silencing of tumour suppressor genes can result in cancer, while gain or loss of DNA methylation can produce loss of genomic imprinting in diseases such as Beckwith-Wiedemann syndrome (BWS), Prader-Willi syndrome (PWS) or Angelman syndrome (AS) (Robertson, 2005). Yet another group of diseases where DNA methylation has a prominent role to play in disease aetiology and pathology is that of the inherited trinucleotide repeat (TNR) expansion diseases.

TNR expansion diseases can be divided into two major subgroups: (i) those involving large non-coding repeats (typically 100-1000 repeats), and (ii) those involving short coding repeats (< 100 repeats, coding for polyglutamine or polyalanine). The majority of TNR expansion diseases that have disease-associated DNA hypermethylation are of the large non-coding repeat type. These include fragile X syndrome (FRAXA), which is caused by CGG repeat expansion in the 5'-untranslated region (UTR) of the *FMR1* gene (Verkerk et al., 1991), myotonic dystrophy type I (DM1), which is caused by CTG repeat expansion in the 3'-UTR of the *DMPK* gene (Brook et al., 1992), and Friedreich ataxia (FRDA), which is caused by GAA repeat expansion within intron 1 of the *FXN* gene (Campuzano et al., 1996). However, there is also evidence for possible involvement of DNA methylation in the short CAG repeat, polyglutamine-encoding, types of TNR expansion diseases, such as spinocerebellar ataxia type 1 (SCA1) (Dion et al., 2008) and spinocerebellar ataxia type 7 (SCA7) (Libby et al., 2008).

This review focuses on recent advances in our understanding of DNA methylation association with inherited TNR expansion diseases. It first describes the relevant TNR expansion diseases, the genes that are mutated and what is currently known about DNA methylation profiles in each case. This is followed by consideration of the potential causes of DNA methylation, the subsequent effects of DNA methylation on disease phenotype, and

how understanding the mechanisms of DNA methylation may benefit efforts towards therapy for TNR expansion diseases.

## 2. TNR expansion diseases with associated DNA methylation

### 2.1 Fragile site-related mental retardation syndromes

Seven folate-sensitive fragile sites have been identified within human chromosomes: FRAXA (Verkerk et al., 1991), FRAXE (Knight et al., 1993), FRAXF (Parrish et al., 1994), FRA10A (Sarafidou et al., 2004), FRA11B (Jones et al., 1995), FRA12A (Winnepeninckx et al., 2007) and FRA16A (Nancarrow et al., 1994) (Table 1). In each case, the fragile site is associated with a large non-coding CGG repeat expansion, together with methylation of the CpG sites within the repeat expansion as well as within an adjacent upstream CpG island (Lopez Castel et al., 2010a). In the majority of cases, the CGG repeat expansion occurs within the 5'-UTR of a specific gene and the CpG island resides within the promoter region of this gene (Table 1). The effect of DNA methylation is to induce silencing of the gene, and the outcome of this, for the majority of fragile site-expressing patients, is the development of mental retardation.

Disease	Fragile site	Chromosomal position	Associated Gene	CGG repeat size	
				Normal	Disease
FRAXA Fragile X syndrome	FRAXA	Xq27.3	<i>FMR1</i>	6-54	>200
FRAXE Fragile X syndrome	FRAXE	Xq28	<i>FMR2</i>	4-39	>200
None identified at present	FRAXF	Xq28	<i>FAM11A</i>	7-40	>300
None identified at present	FRA10A	10q23.3	<i>FRA10AC1</i>	8-14	>200
Jacobsen syndrome	FRA11B	11q23.3	<i>CBL2</i> (candidate)	11	>100
Mental retardation	FRA12A	12q13.1	<i>DIP2B</i>	6-23	>150
None identified at present	FRA16A	11q22	Unknown	16-49	>1000

Table 1. Fragile sites that are associated with aberrant methylated, expanded CGG repeats and methylated adjacent CpG sites in disease state.

#### 2.1.1 Fragile X syndrome (FRAXA)

The most prominent of the fragile site disorders is Fragile X syndrome (FRAXA), an X linked disorder that is recognized as the most common inherited form of mental retardation (Brouwer et al., 2009). FRAXA is caused by CGG repeat expansion within the 5' UTR of the *FMR1* (fragile X mental retardation 1) gene, which is located at the FRAXA fragile site on chromosome Xq27.3 (Verkerk et al., 1991) (Fig. 1). Unaffected individuals have a range of allele sizes between 6-54 CGG repeats. However, allele sizes of 55-200 CGG repeats, known as 'premutations', are unstable and can expand upon transmission to FRAXA individuals,

who have alleles that exceed 200 CGG repeats, known as 'full mutations' (Fu et al., 1991). The expanded CGG repeats become methylated, as does the CpG island within the *FMR1* promoter, resulting in reduced expression of the *FMR1* gene product FMRP during development. Detailed analysis of the *FMR1* gene has revealed a distinct boundary of DNA methylation at a site between 650 and 800 nucleotides upstream of the CGG repeat in unaffected individuals that is lost in FRAXA patients (Naumann et al., 2009). This suggests that the *FMR1* promoter is normally protected from the spread of DNA methylation by a specific chromatin structure, which is somehow removed as a consequence of the expanded CGG repeat sequence.

Premutation CGG repeats ranging in size from 55-200 do not induce the typical DNA methylation and gene silencing that is seen with full mutations. Instead, unmethylated premutation CGG repeats produce overexpression of the *FMR1* gene, resulting in a toxic gain-of-function RNA that gives rise to the phenotypically distinct disorder called fragile X tremor/ataxia syndrome (FXTAS) (Jacquemont et al., 2003).

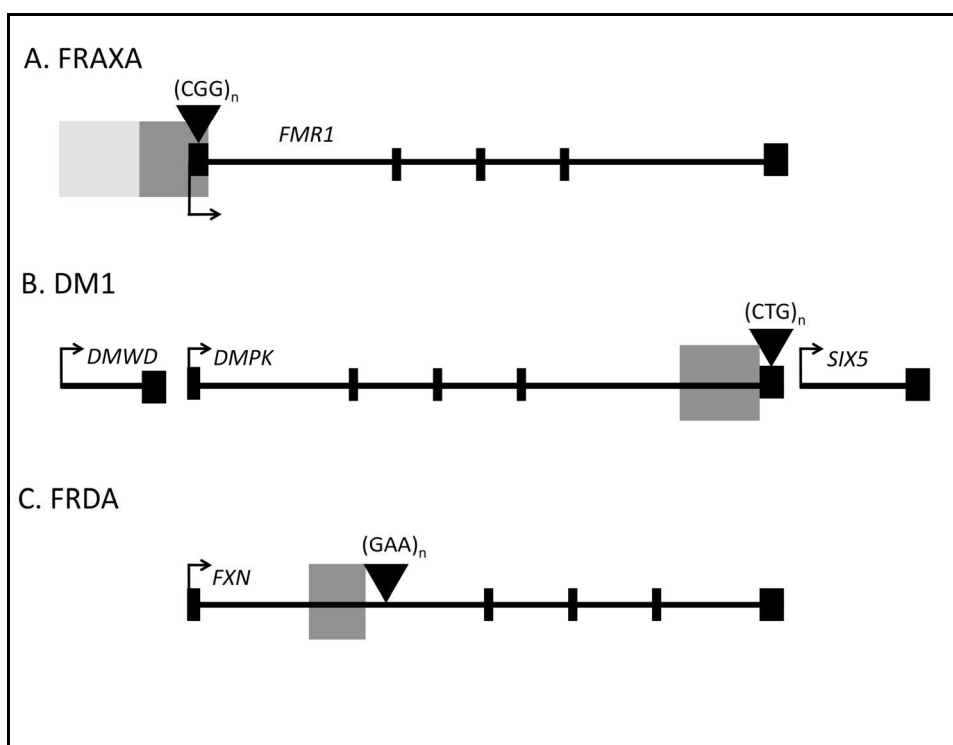


Fig. 1. Location of DNA methylation within expanded TNR loci. (A) FRAXA: The expanded CGG repeat is located in the 5'-UTR of the *FMR1* gene. A boundary of DNA methylation associated with normal CGG alleles (light grey box) shifts upon CGG expansion to enclose the CGG repeat (dark grey box). (B) DM1: The expanded CTG repeat in the 3'-UTR of the *DMPK* gene, and (C) FRDA: The expanded GAA repeat in intron 1 of the *FXN* gene are each associated with regions of DNA methylation just upstream of the expanded repeat.

## 2.2 Myotonic Dystrophy type 1 (DM1)

Myotonic dystrophy type 1 (DM1) is an autosomal dominant inherited multisystem disorder characterized by clinical features such as muscle weakness, myotonia and heart conduction defects (Schara & Schoser, 2006). The molecular basis for DM1 is expansion of a CTG repeat sequence within the 3'-UTR of the *DMPK* gene (Brook et al., 1992). Unaffected individuals have CTG repeat sizes of 5-37, and there is a premutation range of 34-90 CTG repeats, whereas affected individuals have expanded CTG repeat sizes that can range from 90 to thousands of units (Lopez Castel et al., 2010a). Both intergenerational and somatic instability of the CTG repeat are evident, providing a molecular basis for the anticipation phenomenon observed in DM1 families, together with tissue specific differences in disease pathology (Lavedan et al., 1993; Monckton et al., 1995). The effects of expanded CTG repeats are two-fold. Firstly, expression of an expanded CUG RNA sequence causes a toxic gain-of-function effect by altering the activity of RNA splicing factors (Ranum & Cooper, 2006). Secondly, the expanded CTG repeat induces epigenetic changes, including DNA methylation, at the DM1 locus that result in reduced expression of the *DMPK* gene and upstream and downstream genes *SIX5* and *DMWD* (Klesert et al., 1997; Alwazzan et al., 1999; Eriksson et al., 2001). Disease-associated DNA methylation was first reported to occur within a region approximately 1kb upstream of the *DMPK* gene (Steinbach et al., 1998). However, this was a rather restricted study based on the use of methylation-sensitive restriction enzymes that do not identify all CpG sites. A more recent study, which used bisulphite sequencing to characterize the DM1 locus at higher resolution, confirmed the disease-associated DNA methylation upstream of the expanded CTG repeat and further identified a distinct boundary at the expanded CTG repeat beyond which there is no DNA methylation (Lopez Castel et al., 2010b) (Fig.1).

## 2.3 Friedreich Ataxia (FRDA)

Friedreich ataxia (FRDA) is an autosomal recessive neurodegenerative disorder caused by homozygous GAA repeat expansion within intron 1 of the *FXN* gene (Campuzano et al., 1996). The effect of the expanded GAA repeat is to reduce expression of the essential mitochondrial protein frataxin (Campuzano et al., 1997), which results in progressive spinocerebellar neurodegeneration and cardiomyopathy (Pandolfo, 2009). Unaffected individuals have *FXN* alleles containing 5-32 GAA repeats, there is a premutation range of 33-65 GAA repeats, and affected individuals have alleles of 66-1700 GAA repeats. Both intergenerational and somatic instability of the GAA repeat are evident in FRDA, with expanded GAA repeats occurring prominently in disease-related CNS tissue (De Michele et al., 1998; De Biase et al., 2007a, 2007b). There is no disease-associated change in the DNA methylation status of the CpG island that spans the *FXN* 5'-UTR and exon 1 regions. However, disease-associated DNA hypermethylation has been identified within a region of *FXN* intron 1 immediately upstream of the expanded GAA repeat in FRDA cell culture, FRDA patient tissues and FRDA mouse models (Greene et al., 2007; Al-Mahdawi et al., 2008). Furthermore, the level of DNA methylation in this region correlates with expanded GAA repeat size and inversely correlates with age of FRDA disease onset (Castaldo et al., 2008). Interestingly, DNA hypomethylation has been identified in the *FXN* intron 1 *Alu* repeat sequence (which is normally fully methylated) immediately downstream of the expanded GAA repeat (Al-Mahdawi et al., 2008) (Fig.1). This effect of demethylation may have some, as yet unknown, relevance for GAA repeat instability and frataxin expression.

## 2.4 Polyglutamine-encoding TNR expansion disorders

To date, eleven inherited disorders are known to be caused by expansion of CAG repeats within the coding region of genes, resulting in the production of abnormal proteins that have long stretches of polyglutamine repeats (Lopez Castel et al., 2010a). Included within this group of polyglutamine disorders are Huntington disease (HD) and the spinocerebellar ataxias (SCAs). In each case, the severity of disease correlates with the size of the expanded CAG repeat, which is subject to both intergenerational and somatic instability (Koefoed et al., 1998; Wheeler et al., 2007). There is currently no evidence to support a disease-associated role for DNA methylation in HD (Reik et al., 1993) or SCA3 (Emmel et al., 2011). However, DNA methylation has been implicated in stability of CAG repeats in SCA1 (Dion et al., 2008) and in increased instability of CAG repeats in SCA7 (Libby et al., 2008).

## 3. Causes of DNA methylation

DNA methylation is involved in human diseases such as cancer, imprinting disorders and inherited TNR disorders, but at present it is not known why certain CpG sequences succumb to disease-associated aberrant DNA methylation. When considering the causes of DNA methylation in the TNR disorders, distinction must be made between DNA methylation of the expanded CGG repeat itself in the fragile site disorders, such as FRAXA and FRAXE, and DNA methylation of the flanking CpG sites in both fragile site disorders and other TNR disorders, including DM1 and FRDA. In the case of expanded CGG repeat disorders, the CGG repeat contains CpG residues that may be subject to methylation by direct effects. Thus, expanded CGG repeats have been shown to form single-stranded hairpins that lead to slippage structures during replication. Unrepaired slippage structures that contain extrahelical and mismatched cytosines may then act as substrates for direct *de novo* methylation by DNA methyltransferase enzymes (Chen et al., 1995; Laayoun & Smith, 1995; Chen et al., 1998). On the other hand, a common theme for all of the large non-coding TNR expansion diseases is DNA hypermethylation of CpG dinucleotides in the local vicinity of the TNR expansion. This suggests the action of a unified, but as yet unknown, secondary molecular mechanism. Evidence in favour of both *cis*- and *trans*-acting secondary effects has been put forward. Thus, aberrant DNA methylation of expanded CGG repeats or CpG sequences flanking expanded TNR sequences may be based upon underlying *cis*-acting DNA sequence context. For example, there is evidence to suggest that methylation can spread from core repetitive DNA sequences (Yates et al., 1999), and particular motifs have been identified as candidates for methylation-targeting DNA sequences (Feltus et al., 2006).

Another potential mechanism, which could be either *cis*- or *trans*-acting, is the induction of DNA methylation by short interfering RNAs (siRNAs). Studies of human cells have shown that long CNG repeat hairpins can be cleaved by the ribonuclease Dicer to form short double-stranded siRNAs (Krol et al., 2007), which may then induce DNA methylation as a process of transcriptional gene silencing (Kawasaki & Taira, 2004; Morris et al., 2004). Bidirectional transcription across TNRs may also produce siRNAs, which then recruit histone methyltransferases, HP1 and DNA methyltransferases to result in DNA methylation, as proposed for a general model of heterochromatin formation at repetitive elements (Grewal & Jia, 2007). Alternatively, siRNAs targeted to gene promoter CpG islands may be produced by bidirectional transcription at these regions (Morris et al., 2008), and such bidirectional transcripts have indeed been identified at several TNR loci (Cho et al.,

2005; Moseley et al., 2006; Ladd et al., 2007; De Biase et al., 2009; Chung et al., 2011). Furthermore, DNA methylation at the TNR locus may be induced by *trans*-acting siRNAs that are generated from a different locus (Watanabe et al., 2011). In each case, DNA methylation is likely to be a later long-term gene silencing effect, following on from earlier increases in histone methylation (Hawkins et al., 2009). Interestingly, siRNA targeting of the huntingtin gene promoter has failed to induce DNA methylation (Park et al., 2004), agreeing with a lack of any evidence for DNA methylation induction by CAG repeat expansion (Reik et al., 1993).

Another general mechanism that may be involved in the formation of DNA methylation at TNR loci is the loss of a methylation-sensitive chromatin insulator and subsequent spreading of DNA methylation. Of particular note is the chromatin insulator protein CTCF (CCCTC-binding protein), since CTCF binding sites have been identified in the flanking regions of *FRAXA* CGG repeats (Ladd et al., 2007), *DM1* CTG repeats (Filippova et al., 2001) and *SCA7* CAG repeats (Libby et al., 2008), and also in the upstream region of *FXN* GAA repeats (De Biase et al., 2009) (Fig.2).

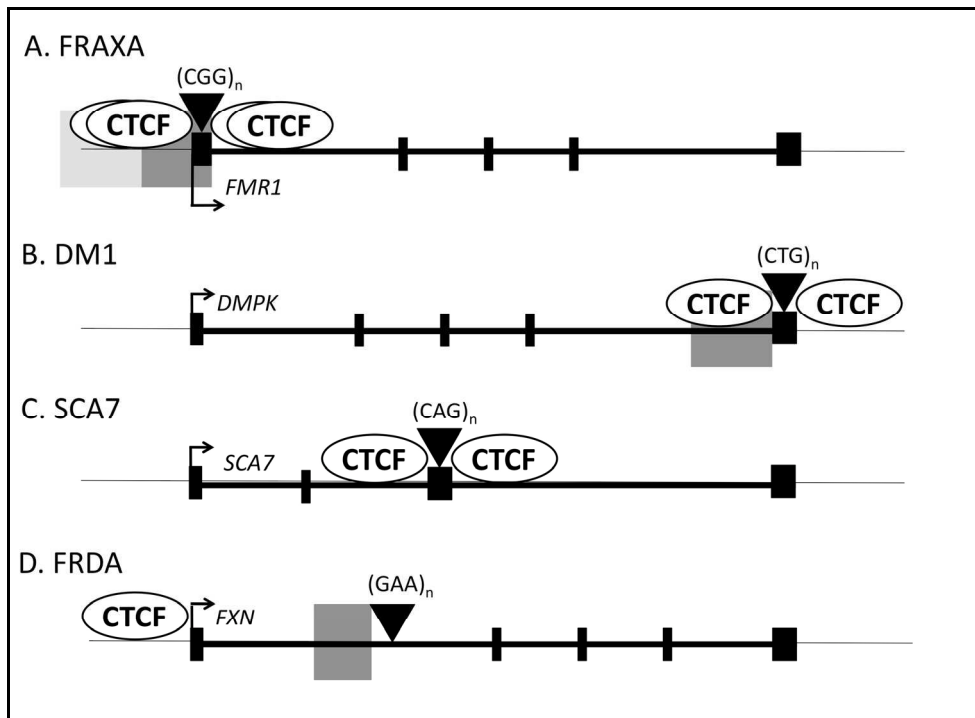


Fig. 2. The position of CTCF binding sites within TNR expansion loci (A) *FRAXA*, (B) *DM1*, (C) *SCA7* and (D) *FRDA*. Grey boxes represent regions of DNA methylation.

A model has been proposed for the *DM1* locus whereby the normal CTG repeat allele is associated with bidirectional transcription, siRNAs, H3K9 dimethylation and HP1 recruitment in the region of the CTG repeats, but without any associated DNA methylation.

This local heterochromatin formation is limited to a small region by flanking CTCF sites and it is likely that CTCF binding protects the *DM1* CTG region from DNA methylation. However, expanded *DM1* CTG repeats are associated with loss of CTCF binding, spread of heterochromatin and regional CpG methylation (Cho et al., 2005). In FRDA, expanded GAA repeats are similarly associated with depletion of CTCF binding in the 5'-UTR of the *FXN* gene and associated hypermethylation of CpG sites just upstream of the GAA repeat. (Greene et al., 2007; Al-Mahdawi et al., 2008; De Biase et al., 2009). However, it is not currently known if depletion of CTCF actually precedes DNA methylation, or vice versa, in the context of TNR expansion diseases. For example, DNA methylation is known to inhibit CTCF binding at the *DM1* locus and other genetic loci (Filippova, 2008), whereas it does not appear to inhibit CTCF binding at the *FXN* locus (De Biase et al., 2009). Therefore, further studies will be required to determine the precise order of events that connect TNR expansions, CTCF binding and DNA methylation.

#### 4. Effects of DNA methylation

There are two principal effects of DNA methylation on TNR expansion disorders. Firstly, silencing of gene transcription may take place, exerting profound effects on the subsequent disease phenotype. Secondly, modulation of TNR instability may occur throughout development and within different specific tissues, which will also impact upon progression of the disease phenotype.

##### 4.1 Silencing of gene expression

The main effect of DNA methylation in TNR expansion disorders, as with other diseases such as cancer, is silencing of gene transcription. DNA methylation inhibits transcription by two general mechanisms: (i) preventing binding of basal transcription proteins or other regulatory DNA binding proteins (e.g. CTCF), and (ii) influencing nucleosome positioning or stability and reinforcing heterochromatin formation through the actions of methyl-CpG-binding proteins (MBPs), histone modifications and chromatin remodeling (Klose & Bird, 2006). There is evidence for both mechanisms at play in silencing of gene transcription in TNR expansion disorders. For FRAXA, expansion of CGG repeats in the 5'-UTR of the *FMR1* gene to greater than 200 units induces CpG methylation within the repeat tract and also the adjacent promoter region, leading to transcriptional silencing (Pieretti et al., 1991; Sutcliffe et al., 1992). Hypermethylation of the *FMR1* region is associated with histone deacetylation, H3K9 methylation and chromatin remodeling, which may impact upon *FMR1* transcription (Coffee et al., 1999; Coffee et al., 2002). However, it is suggested that DNA methylation, rather than histone modifications, is the key event for silencing of *FMR1* transcription (Pietrobono et al., 2002; Pietrobono et al., 2005). In contrast to FRAXA, the unmethylated 55-200 CGG repeats of the *FMR1* gene that characterize FXTAS produce a 2-10 fold increase of *FMR1* transcription, leading to an RNA toxic gain-of-function disease effect (Tassone et al., 2000). For *DM1*, the expanded CTG repeat, which is situated in the 3'-UTR of the *DMPK* gene, induces CpG methylation and H3K9 methylation flanking the repeat. This then silences transcription of *DMPK* and the neighbouring *SIX5* and *DMWD* genes (Klesert et al., 1997; Thornton et al., 1997; Alwazzan et al., 1999; Eriksson et al., 2001), likely by mechanisms that involve bidirectional transcription and siRNA formation (Cho et al., 2005). For FRDA,

the expanded GAA repeat within intron 1 of the *FXN* gene induces CpG methylation, histone deacetylation and H3K9 methylation in the region immediately upstream of the GAA repeat, but the *FXN* promoter appears to be unaffected (Greene et al., 2003; Herman et al., 2006; Al-Mahdawi et al., 2008). Since DNA methylation within the body of a gene has not been linked to transcriptional silencing (Brenet et al., 2011), it is unlikely that CpG methylation within intron 1 is the primary cause of *FXN* gene silencing. The increased DNA methylation within intron 1 of the *FXN* gene is more likely to be secondary to gene silencing caused by chromatin changes (Greene et al., 2007) or changes in bidirectional transcription and CTCF binding (De Biase et al., 2009).

#### 4.2 Modulation of TNR instability

Another major effect of DNA methylation, specifically related to TNR expansion disorders, is the ability to influence the dynamics of the trinucleotide repeat stability. Both germline and somatic instability of TNR sequences are known to play major roles in the aetiology and progression of all TNR expansion disorders (Lopez Castel et al., 2010a). For FRAXA, germline instability of the CGG repeat involves maternally derived expansions, but deletion in the gametes of full-mutation males. The CGG deletions occur during replication and are dependent on replication fork dynamics, size of repeat and CpG methylation status (Nichol Edamura et al., 2005). The period of somatic CGG instability is restricted to early stages of embryonic and foetal growth and ends when expanded CGG sequences become abnormally methylated (Devys et al., 1992; Taylor et al., 1999). Subsequent CpG methylation of FRAXA 'full mutation' expanded CGG repeats causes somatic stability (Wohrle et al., 1995). Several studies, which have examined the effect of DNA methylation on germline TNR instability using mouse models of DM1, HD and SCA1, find that instability is particularly associated with periods of demethylation in the developing germline (Kaytor et al., 1997; Kovtun & McMurray, 2001; Savouret et al., 2004). Furthermore, treatment of cultured cells from DM1 patients with DNA demethylating compounds produced destabilization of CTG repeats, with a bias towards expansion (Gorbunova et al., 2004). Thus, it appears that changes in DNA methylation patterns during germline epigenetic reprogramming may trigger the intergenerational TNR expansions that lead to disease. It is currently not known how DNA methylation stabilizes germline TNR sequences. However, several hypotheses have been proposed. For example, a recent study of heterozygous DNA methyltransferase 1 (*Dnmt1*<sup>+/-</sup>) knockout SCA1 mice revealed *Dnmt1*-deficient promotion of CAG intergenerational instability, together with aberrant DNA methylation and histone methylation within the CpG island adjacent to the CAG repeat, suggesting a role for local chromatin structure in germline TNR instability. However, no effect of *Dnmt1* deficit was seen on somatic instability (Dion et al., 2008). Another study, which investigated somatic instability of the DM1 CTG repeat in relation to replication and CTCF binding, has led to the suggestion that CpG methylation may regulate, in a tissue-specific manner, the role of CTCF in DNA replication and thereby CTG repeat instability (Cleary et al., 2010). Yet another connection between DNA methylation, CTCF and TNR expansion has been identified in studies of SCA7 transgenic mice, which revealed further destabilization of unstable expanded CAG repeats by CpG methylation of CTCF binding sites (Libby et al., 2008). Furthermore, other studies suggest a potential connection between DNA methylation, transcription and TNR instability. For example, cyclical changes in promoter CpG methylation have been identified



during transcription (Kangaspeska et al., 2008; Metivier et al., 2008), and at the same time, transcription through the repeat tract has been identified as a major contributor to expansion of GAA repeats (Ditch et al., 2009). Therefore, periods of active demethylation during transcription may present a window of opportunity for TNR expansion. Finally, several studies have highlighted an important role of DNA repair mechanisms, and in particular the mismatch repair (MMR) system, in TNR instability (Savouret et al., 2003; Wheeler et al., 2003; Dragileva et al., 2009), and DNMT1 deficiency has been shown to result in MMR defects that increase the rate of CAG repeat contraction (Lin & Wilson, 2009). Therefore, it may be interesting to further pursue connections between DNA methylation, DNA repair and TNR instability.

## 5. Demethylation therapy for TNR expansion diseases

The finding that DNA methylation of the CGG repeat and flanking CpG sequences of the *FMR1* promoter cause transcriptional silencing of the *FMR1* gene in FRAXA, has led to consideration of DNA demethylation as a potential therapy. To date, investigations have focused on the use of the cytidine analogue DNA methyltransferase inhibitor 5-aza-2'-deoxycytidine (5-aza-CdR), which is an FDA approved drug (decitabine) used for the treatment of myelodysplastic anaemia (Oki et al., 2007). Treatment of fully methylated FRAXA patient cell lines with 5-aza-CdR leads to a decrease in promoter CpG methylation, together with increased histone acetylation, decreased H3K9 methylation and increased H3K4 methylation, that result in an increase in *FMR1* transcription (Chiurazzi et al., 1998; Pietrobono et al., 2002; Tabolacci et al., 2005). Combined treatment with 5-aza-CdR and histone deacetylase (HDAC) inhibitors have also been shown to produce a synergistic increase in *FMR1* transcription (Chiurazzi et al., 1999). However, 5-aza-CdR is a drug that induces substantial cytotoxicity, and therefore the development and testing of other less toxic DNA methylation inhibitors, such as zebularine (Cheng et al., 2003) or hydralazine (Cornacchia et al., 1988) may be necessary before treatment for FRAXA can be considered further. Another potential adverse effect of DNA methylation inhibitor treatment that will have to be considered is the finding that DNA demethylation can induce TNR instability, with a bias towards expansions (Gorbunova et al., 2004), which may then negatively impact upon gene expression.

## 6. Conclusions

DNA methylation is a molecular process that is clearly associated with TNR expansion disorders, particularly those of the long non-coding repeat type. Recent studies have revealed common themes for TNR gene silencing, including bidirectional transcription, siRNA formation, CTCF binding, histone modifications and chromatin remodeling. However, the exact role that DNA methylation plays within TNR expansion disease pathogenesis remains uncertain and further investigations are still needed. At the same time, DNA methylation also appears to impact upon TNR instability, which is an important part of TNR expansion disease progression. Therefore, the interplay between DNA methylation, DNA replication, DNA repair and transcription will need particular investigation if future consideration can realistically be given to DNA demethylation therapies for TNR expansion disorders.

## 7. References

- Al-Mahdawi, S., Pinto, R. M., Ismail, O., Varshney, D., Lymperi, S., Sandi, C., Trabzuni, D. & Pook, M. (2008). The Friedreich ataxia GAA repeat expansion mutation induces comparable epigenetic changes in human and transgenic mouse brain and heart tissues. *Hum Mol Genet*, Vol.17, No.5, (Mar 1), pp. 735-46, ISSN.1460-2083
- Alwazzan, M., Newman, E., Hamshere, M. G. & Brook, J. D. (1999). Myotonic dystrophy is associated with a reduced level of RNA from the DMWD allele adjacent to the expanded repeat. *Hum Mol Genet*, Vol.8, No.8, (Aug), pp. 1491-7, ISSN.0964-6906
- Bird, A. P. & Wolffe, A. P. (1999). Methylation-induced repression--belts, braces, and chromatin. *Cell*, Vol.99, No.5, (Nov 24), pp. 451-4, ISSN.0092-8674
- Brenet, F., Moh, M., Funk, P., Feierstein, E., Viale, A. J., Socci, N. D. & Scandura, J. M. (2011). DNA methylation of the first exon is tightly linked to transcriptional silencing. *PLoS One*, Vol.6, No.1, pp. e14524, ISSN.1932-6203
- Brook, J. D., McCurrach, M. E., Harley, H. G., Buckler, A. J., Church, D., Aburatani, H., Hunter, K., Stanton, V. P., Thirion, J. P., Hudson, T. & et al. (1992). Molecular basis of myotonic dystrophy: expansion of a trinucleotide (CTG) repeat at the 3' end of a transcript encoding a protein kinase family member. *Cell*, Vol.69, No.2, (Apr 17), pp. 385, ISSN.0092-8674
- Brouwer, J. R., Willemsen, R. & Oostra, B. A. (2009). The FMR1 gene and fragile X-associated tremor/ataxia syndrome. *Am J Med Genet B Neuropsychiatr Genet*, Vol.150B, No.6, (Sep 5), pp. 782-98, ISSN.1552-485X
- Campuzano, V., Montermini, L., Molto, M. D., Pianese, L., Cossee, M., Cavalcanti, F., Monros, E., Rodius, F., Duclos, F., Monticelli, A., Zara, F., Canizares, J., Koutnikova, H., Bidichandani, S. I., Gellera, C., Brice, A., Trouillas, P., De Michele, G., Filla, A., De Frutos, R., Palau, F., Patel, P. I., Di Donato, S., Mandel, J. L., Coccozza, S., Koenig, M. & Pandolfo, M. (1996). Friedreich's ataxia: autosomal recessive disease caused by an intronic GAA triplet repeat expansion. *Science*, Vol.271, No.5254, (Mar 8), pp. 1423-7, ISSN.0964-6906
- Campuzano, V., Montermini, L., Lutz, Y., Cova, L., Hindelang, C., Jiralerspong, S., Trottier, Y., Kish, S. J., Faucheux, B., Trouillas, P., Authier, F. J., Durr, A., Mandel, J. L., Vescovi, A., Pandolfo, M. & Koenig, M. (1997). Frataxin is reduced in Friedreich ataxia patients and is associated with mitochondrial membranes. *Hum Mol Genet*, Vol.6, No.11, (Oct), pp. 1771-80, ISSN.0036-8075
- Castaldo, I., Pinelli, M., Monticelli, A., Acquaviva, F., Giacchetti, M., Filla, A., Sacchetti, S., Keller, S., Avvedimento, V. E., Chiariotti, L. & Coccozza, S. (2008). DNA methylation in intron 1 of the frataxin gene is related to GAA repeat length and age of onset in Friedreich's ataxia patients. *J Med Genet*, (Aug 12), pp. 808-812, ISSN.1468-6244
- Chen, X., Mariappan, S. V., Catasti, P., Ratliff, R., Moyzis, R. K., Laayoun, A., Smith, S. S., Bradbury, E. M. & Gupta, G. (1995). Hairpins are formed by the single DNA strands of the fragile X triplet repeats: structure and biological implications. *Proc Natl Acad Sci U S A*, Vol.92, No.11, (May 23), pp. 5199-203, ISSN.0027-8424
- Chen, X., Mariappan, S. V., Moyzis, R. K., Bradbury, E. M. & Gupta, G. (1998). Hairpin induced slippage and hyper-methylation of the fragile X DNA triplets. *J Biomol Struct Dyn*, Vol.15, No.4, (Feb), pp. 745-56, ISSN.0739-1102
- Cheng, J. C., Matsen, C. B., Gonzales, F. A., Ye, W., Greer, S., Marquez, V. E., Jones, P. A. & Selker, E. U. (2003). Inhibition of DNA methylation and reactivation of silenced genes by zebularine. *J Natl Cancer Inst*, Vol.95, No.5, (Mar 5), pp. 399-409, ISSN.0027-8874

- Chiurazzi, P., Pomponi, M. G., Willemsen, R., Oostra, B. A. & Neri, G. (1998). In vitro reactivation of the FMR1 gene involved in fragile X syndrome. *Hum Mol Genet*, Vol.7, No.1, (Jan), pp. 109-13, ISSN.0964-6906
- Chiurazzi, P., Pomponi, M. G., Pietrobono, R., Bakker, C. E., Neri, G. & Oostra, B. A. (1999). Synergistic effect of histone hyperacetylation and DNA demethylation in the reactivation of the FMR1 gene. *Hum Mol Genet*, Vol.8, No.12, (Nov), pp. 2317-23, ISSN.0964-6906
- Cho, D. H., Thienes, C. P., Mahoney, S. E., Analau, E., Filippova, G. N. & Tapscott, S. J. (2005). Antisense transcription and heterochromatin at the DM1 CTG repeats are constrained by CTCF. *Mol Cell*, Vol.20, No.3, (Nov 11), pp. 483-9, ISSN.1097-2765
- Chung, D. W., Rudnicki, D. D., Yu, L. & Margolis, R. L. (2011). A natural antisense transcript at the Huntington's disease repeat locus regulates HTT expression. *Hum Mol Genet*, Vol.20, No.17, (Sep 1), pp. 3467-77, ISSN.1460-2083
- Cleary, J. D., Tome, S., Lopez Castel, A., Panigrahi, G. B., Foiry, L., Hagerman, K. A., Sroka, H., Chitayat, D., Gourdon, G. & Pearson, C. E. (2010). Tissue- and age-specific DNA replication patterns at the CTG/CAG-expanded human myotonic dystrophy type 1 locus. *Nat Struct Mol Biol*, Vol.17, No.9, (Sep), pp. 1079-87, ISSN.1545-9985
- Coffee, B., Zhang, F., Warren, S. T. & Reines, D. (1999). Acetylated histones are associated with FMR1 in normal but not fragile X-syndrome cells. *Nat Genet*, Vol.22, No.1, (May), pp. 98-101, ISSN.1061-4036
- Coffee, B., Zhang, F., Ceman, S., Warren, S. T. & Reines, D. (2002). Histone modifications depict an aberrantly heterochromatinized FMR1 gene in fragile x syndrome. *Am J Hum Genet*, Vol.71, No.4, (Oct), pp. 923-32, ISSN.0002-9297
- Cornacchia, E., Golbus, J., Maybaum, J., Strahler, J., Hanash, S. & Richardson, B. (1988). Hydralazine and procainamide inhibit T cell DNA methylation and induce autoreactivity. *J Immunol*, Vol.140, No.7, (Apr 1), pp. 2197-200, ISSN.0022-1767
- De Biase, I., Rasmussen, A., Endres, D., Al-Mahdawi, S., Monticelli, A., Coccozza, S., Pook, M. & Bidichandani, S. I. (2007a). Progressive GAA expansions in dorsal root ganglia of Friedreich's ataxia patients. *Ann Neurol*, Vol.61, No.1, (Jan), pp. 55-60, ISSN.0364-5134
- De Biase, I., Rasmussen, A., Monticelli, A., Al-Mahdawi, S., Pook, M., Coccozza, S. & Bidichandani, S. I. (2007b). Somatic instability of the expanded GAA triplet-repeat sequence in Friedreich ataxia progresses throughout life. *Genomics*, Vol.90, No.1, (Jul), pp. 1-5, ISSN.0888-7543
- De Biase, I., Chutake, Y. K., Rindler, P. M. & Bidichandani, S. I. (2009). Epigenetic silencing in Friedreich ataxia is associated with depletion of CTCF (CCCTC-binding factor) and antisense transcription. *PLoS One*, Vol.4, No.11, pp. e7914, ISSN.1932-6203
- De Michele, G., Cavalcanti, F., Criscuolo, C., Pianese, L., Monticelli, A., Filla, A. & Coccozza, S. (1998). Parental gender, age at birth and expansion length influence GAA repeat intergenerational instability in the X25 gene: pedigree studies and analysis of sperm from patients with Friedreich's ataxia. *Hum Mol Genet*, Vol.7, No.12, (Nov), pp. 1901-6, ISSN.0964-6906
- Devys, D., Biancalana, V., Rousseau, F., Boue, J., Mandel, J. L. & Oberle, I. (1992). Analysis of full fragile X mutations in fetal tissues and monozygotic twins indicate that abnormal methylation and somatic heterogeneity are established early in development. *Am J Med Genet*, Vol.43, No.1-2, (Apr 15-May 1), pp. 208-16, ISSN.0148-7299

- Dion, V., Lin, Y., Hubert, L., Jr., Waterland, R. A. & Wilson, J. H. (2008). Dnmt1 deficiency promotes CAG repeat expansion in the mouse germline. *Hum Mol Genet*, Vol.17, No.9, (May 1), pp. 1306-17, ISSN.1460-2083
- Ditch, S., Sammarco, M. C., Banerjee, A. & Grabczyk, E. (2009). Progressive GAA.TTC repeat expansion in human cell lines. *PLoS Genet*, Vol.5, No.10, (Oct), pp. e1000704, ISSN.1553-7404
- Dragileva, E., Hendricks, A., Teed, A., Gillis, T., Lopez, E. T., Friedberg, E. C., Kucherlapati, R., Edelman, W., Lunetta, K. L., MacDonald, M. E. & Wheeler, V. C. (2009). Intergenerational and striatal CAG repeat instability in Huntington's disease knock-in mice involve different DNA repair genes. *Neurobiol Dis*, Vol.33, No.1, (Jan), pp. 37-47, ISSN.1095-953X
- Emmel, V. E., Alonso, I., Jardim, L. B., Saraiva-Pereira, M. L. & Sequeiros, J. (2011). Does DNA methylation in the promoter region of the ATXN3 gene modify age at onset in MJD (SCA3) patients? *Clin Genet*, Vol.79, No.1, (Jan), pp. 100-2, ISSN.1399-0004
- Eriksson, M., Hedberg, B., Carey, N. & Ansved, T. (2001). Decreased DMPK transcript levels in myotonic dystrophy 1 type IIA muscle fibers. *Biochem Biophys Res Commun*, Vol.286, No.5, (Sep 7), pp. 1177-82, ISSN.0006-291X
- Feltus, F. A., Lee, E. K., Costello, J. F., Plass, C. & Vertino, P. M. (2006). DNA motifs associated with aberrant CpG island methylation. *Genomics*, Vol.87, No.5, (May), pp. 572-9, ISSN.0888-7543
- Filippova, G. N., Thienes, C. P., Penn, B. H., Cho, D. H., Hu, Y. J., Moore, J. M., Klesert, T. R., Lobanenko, V. V. & Tapscott, S. J. (2001). CTCF-binding sites flank CTG/CAG repeats and form a methylation-sensitive insulator at the DM1 locus. *Nat Genet*, Vol.28, No.4, (Aug), pp. 335-43, ISSN.1061-4036
- Filippova, G. N. (2008). Genetics and epigenetics of the multifunctional protein CTCF. *Curr Top Dev Biol*, Vol.80, pp. 337-60, ISSN.0070-2153
- Fu, Y. H., Kuhl, D. P., Pizzuti, A., Pieretti, M., Sutcliffe, J. S., Richards, S., Verkerk, A. J., Holden, J. J., Fenwick, R. G., Jr., Warren, S. T. & et al. (1991). Variation of the CGG repeat at the fragile X site results in genetic instability: resolution of the Sherman paradox. *Cell*, Vol.67, No.6, (Dec 20), pp. 1047-58, ISSN.0092-8674
- Gorbunova, V., Seluanov, A., Mittelman, D. & Wilson, J. H. (2004). Genome-wide demethylation destabilizes CTG.CAG trinucleotide repeats in mammalian cells. *Hum Mol Genet*, Vol.13, No.23, (Dec 1), pp. 2979-89, ISSN.0964-6906
- Greene, E., Handa, V., Kumari, D. & Usdin, K. (2003). Transcription defects induced by repeat expansion: fragile X syndrome, FRAXE mental retardation, progressive myoclonus epilepsy type 1, and Friedreich ataxia. *Cytogenet Genome Res*, Vol.100, No.1-4, pp. 65-76, ISSN.1424-859X
- Greene, E., Mahishi, L., Entezam, A., Kumari, D. & Usdin, K. (2007). Repeat-induced epigenetic changes in intron 1 of the frataxin gene and its consequences in Friedreich ataxia. *Nucleic Acids Res*, Vol.35, No.10, pp. 3383-90, ISSN 1362-4962
- Grewal, S. I. & Jia, S. (2007). Heterochromatin revisited. *Nat Rev Genet*, Vol.8, No.1, (Jan), pp. 35-46, ISSN.1471-0056
- Hawkins, P. G., Santoso, S., Adams, C., Anest, V. & Morris, K. V. (2009). Promoter targeted small RNAs induce long-term transcriptional gene silencing in human cells. *Nucleic Acids Res*, Vol.37, No.9, (May), pp. 2984-95, ISSN.1362-4962
- Herman, D., Janssen, K., Burnett, R., Soragni, E., Perlman, S. L. & Gottesfeld, J. M. (2006). Histone deacetylase inhibitors reverse gene silencing in Friedreich's ataxia. *Nat Chem Biol*, Vol.2, No.10, (Oct), pp. 551-8, ISSN.1552-4450

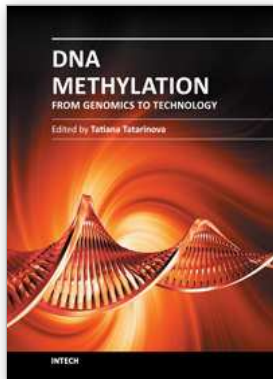
- Jacquemont, S., Hagerman, R. J., Leehey, M., Grigsby, J., Zhang, L., Brunberg, J. A., Greco, C., Des Portes, V., Jardini, T., Levine, R., Berry-Kravis, E., Brown, W. T., Schaeffer, S., Kissel, J., Tassone, F. & Hagerman, P. J. (2003). Fragile X premutation tremor/ataxia syndrome: molecular, clinical, and neuroimaging correlates. *Am J Hum Genet*, Vol.72, No.4, (Apr), pp. 869-78, ISSN.0002-9297
- Jones, C., Penny, L., Mattina, T., Yu, S., Baker, E., Voullaire, L., Langdon, W. Y., Sutherland, G. R., Richards, R. I. & Tunnacliffe, A. (1995). Association of a chromosome deletion syndrome with a fragile site within the proto-oncogene CBL2. *Nature*, Vol.376, No.6536, (Jul 13), pp. 145-9, ISSN.0028-0836
- Kangaspeska, S., Stride, B., Metivier, R., Polycarpou-Schwarz, M., Ibberson, D., Carmouche, R. P., Benes, V., Gannon, F. & Reid, G. (2008). Transient cyclical methylation of promoter DNA. *Nature*, Vol.452, No.7183, (Mar 6), pp. 112-5, ISSN.1476-4687
- Kawasaki, H. & Taira, K. (2004). Induction of DNA methylation and gene silencing by short interfering RNAs in human cells. *Nature*, Vol.431, No.7005, (Sep 9), pp. 211-7, ISSN.1476-4687
- Kaytor, M. D., Burreight, E. N., Duvick, L. A., Zoghbi, H. Y. & Orr, H. T. (1997). Increased trinucleotide repeat instability with advanced maternal age. *Hum Mol Genet*, Vol.6, No.12, (Nov), pp. 2135-9, ISSN.0964-6906
- Klesert, T. R., Otten, A. D., Bird, T. D. & Tapscott, S. J. (1997). Trinucleotide repeat expansion at the myotonic dystrophy locus reduces expression of DMAHP. *Nat Genet*, Vol.16, No.4, (Aug), pp. 402-6, ISSN.1061-4036
- Klose, R. J. & Bird, A. P. (2006). Genomic DNA methylation: the mark and its mediators. *Trends Biochem Sci*, Vol.31, No.2, (Feb), pp. 89-97, ISSN.0968-0004
- Knight, S. J., Flannery, A. V., Hirst, M. C., Campbell, L., Christodoulou, Z., Phelps, S. R., Pointon, J., Middleton-Price, H. R., Barnicoat, A., Pembrey, M. E. & et al. (1993). Trinucleotide repeat amplification and hypermethylation of a CpG island in FRAXE mental retardation. *Cell*, Vol.74, No.1, (Jul 16), pp. 127-34, ISSN.0092-8674
- Koefoed, P., Hasholt, L., Fenger, K., Nielsen, J. E., Eiberg, H., Buschard, K. & Sorensen, S. A. (1998). Mitotic and meiotic instability of the CAG trinucleotide repeat in spinocerebellar ataxia type 1. *Hum Genet*, Vol.103, No.5, (Nov), pp. 564-9, ISSN.0340-6717
- Kovtun, I. V. & McMurray, C. T. (2001). Trinucleotide expansion in haploid germ cells by gap repair. *Nat Genet*, Vol.27, No.4, (Apr), pp. 407-11, ISSN.1061-4036
- Krol, J., Fiszer, A., Mykowska, A., Sobczak, K., de Mezer, M. & Krzyzosiak, W. J. (2007). Ribonuclease dicer cleaves triplet repeat hairpins into shorter repeats that silence specific targets. *Mol Cell*, Vol.25, No.4, (Feb 23), pp. 575-86, ISSN.1097-2765
- Laayoun, A. & Smith, S. S. (1995). Methylation of slipped duplexes, snapbacks and cruciforms by human DNA(cytosine-5)methyltransferase. *Nucleic Acids Res*, Vol.23, No.9, (May 11), pp. 1584-9, ISSN.0305-1048
- Ladd, P. D., Smith, L. E., Rabaia, N. A., Moore, J. M., Georges, S. A., Hansen, R. S., Hagerman, R. J., Tassone, F., Tapscott, S. J. & Filippova, G. N. (2007). An antisense transcript spanning the CGG repeat region of FMR1 is upregulated in premutation carriers but silenced in full mutation individuals. *Hum Mol Genet*, Vol.16, No.24, (Dec 15), pp. 3174-87, ISSN.0964-6906
- Lavedan, C., Hofmann-Radvanyi, H., Shelbourne, P., Rabes, J. P., Duros, C., Savoy, D., Dehaupas, I., Luce, S., Johnson, K. & Junien, C. (1993). Myotonic dystrophy: size- and sex-dependent dynamics of CTG meiotic instability, and somatic mosaicism. *Am J Hum Genet*, Vol.52, No.5, (May), pp. 875-83, ISSN.0002-9297

- Libby, R. T., Hagerman, K. A., Pineda, V. V., Lau, R., Cho, D. H., Baccam, S. L., Axford, M. M., Cleary, J. D., Moore, J. M., Sopher, B. L., Tapscott, S. J., Filippova, G. N., Pearson, C. E. & La Spada, A. R. (2008). CTCF cis-regulates trinucleotide repeat instability in an epigenetic manner: a novel basis for mutational hot spot determination. *PLoS Genet*, Vol.4, No.11, (Nov), pp. e1000257, ISSN.1553-7404
- Lin, Y. & Wilson, J. H. (2009). Diverse effects of individual mismatch repair components on transcription-induced CAG repeat instability in human cells. *DNA Repair (Amst)*, Vol.8, No.8, (Aug 6), pp. 878-85, ISSN.1568-7856
- Lopez Castel, A., Cleary, J. D. & Pearson, C. E. (2010a). Repeat instability as the basis for human diseases and as a potential target for therapy. *Nat Rev Mol Cell Biol*, Vol.11, No.3, (Mar), pp. 165-70, ISSN.1471-0080
- Lopez Castel, A., Nakamori, M., Tome, S., Chitayat, D., Gourdon, G., Thornton, C. A. & Pearson, C. E. (2010b). Expanded CTG repeat demarcates a boundary for abnormal CpG methylation in myotonic dystrophy patient tissues. *Hum Mol Genet*, Vol.20, No.1, (Jan 1), pp. 1-15, ISSN.1460-2083
- Metivier, R., Gallais, R., Tiffocche, C., Le Peron, C., Jurkowska, R. Z., Carmouche, R. P., Ibberson, D., Barath, P., Demay, F., Reid, G., Benes, V., Jeltsch, A., Gannon, F. & Salbert, G. (2008). Cyclical DNA methylation of a transcriptionally active promoter. *Nature*, Vol.452, No.7183, (Mar 6), pp. 45-50, ISSN.1476-4687
- Monckton, D. G., Wong, L. J., Ashizawa, T. & Caskey, C. T. (1995). Somatic mosaicism, germline expansions, germline reversions and intergenerational reductions in myotonic dystrophy males: small pool PCR analyses. *Hum Mol Genet*, Vol.4, No.1, (Jan), pp. 1-8, ISSN.0964-6906
- Morris, K. V., Chan, S. W., Jacobsen, S. E. & Looney, D. J. (2004). Small interfering RNA-induced transcriptional gene silencing in human cells. *Science*, Vol.305, No.5688, (Aug 27), pp. 1289-92, ISSN.1095-9203
- Morris, K. V., Santoso, S., Turner, A. M., Pastori, C. & Hawkins, P. G. (2008). Bidirectional transcription directs both transcriptional gene activation and suppression in human cells. *PLoS Genet*, Vol.4, No.11, (Nov), pp. e1000258, ISSN.1553-7404
- Moseley, M. L., Zu, T., Ikeda, Y., Gao, W., Mosemiller, A. K., Daughters, R. S., Chen, G., Weatherspoon, M. R., Clark, H. B., Ebner, T. J., Day, J. W. & Ranum, L. P. (2006). Bidirectional expression of CUG and CAG expansion transcripts and intranuclear polyglutamine inclusions in spinocerebellar ataxia type 8. *Nat Genet*, Vol.38, No.7, (Jul), pp. 758-69, ISSN.1061-4036
- Nancarrow, J. K., Kremer, E., Holman, K., Eyre, H., Doggett, N. A., Le Paslier, D., Callen, D. F., Sutherland, G. R. & Richards, R. I. (1994). Implications of FRA16A structure for the mechanism of chromosomal fragile site genesis. *Science*, Vol.264, No.5167, (Jun 24), pp. 1938-41, ISSN.0036-8075
- Naumann, A., Hochstein, N., Weber, S., Fanning, E. & Doerfler, W. (2009). A distinct DNA-methylation boundary in the 5'-upstream sequence of the FMR1 promoter binds nuclear proteins and is lost in fragile X syndrome. *Am J Hum Genet*, Vol.85, No.5, (Nov), pp. 606-16, ISSN.1537-6605
- Nichol Edamura, K., Leonard, M. R. & Pearson, C. E. (2005). Role of replication and CpG methylation in fragile X syndrome CGG deletions in primate cells. *Am J Hum Genet*, Vol.76, No.2, (Feb), pp. 302-11, ISSN.0002-9297
- Oki, Y., Aoki, E. & Issa, J. P. (2007). Decitabine--bedside to bench. *Crit Rev Oncol Hematol*, Vol.61, No.2, (Feb), pp. 140-52, ISSN.1040-8428

- Pandolfo, M. (2009). Friedreich ataxia: the clinical picture. *J Neurol*, Vol.256 Suppl 1, (Mar), pp. 3-8, ISSN.0340-5354
- Park, C. W., Chen, Z., Kren, B. T. & Steer, C. J. (2004). Double-stranded siRNA targeted to the huntingtin gene does not induce DNA methylation. *Biochem Biophys Res Commun*, Vol.323, No.1, (Oct 8), pp. 275-80, ISSN.0006-291X
- Parrish, J. E., Oostra, B. A., Verkerk, A. J., Richards, C. S., Reynolds, J., Spikes, A. S., Shaffer, L. G. & Nelson, D. L. (1994). Isolation of a GCC repeat showing expansion in FRAXF, a fragile site distal to FRAXA and FRAXE. *Nat Genet*, Vol.8, No.3, (Nov), pp. 229-35, ISSN.1061-4036
- Pieretti, M., Zhang, F. P., Fu, Y. H., Warren, S. T., Oostra, B. A., Caskey, C. T. & Nelson, D. L. (1991). Absence of expression of the FMR-1 gene in fragile X syndrome. *Cell*, Vol.66, No.4, (Aug 23), pp. 817-22, ISSN.0092-8674
- Pietrobono, R., Pomponi, M. G., Tabolacci, E., Oostra, B., Chiurazzi, P. & Neri, G. (2002). Quantitative analysis of DNA demethylation and transcriptional reactivation of the FMR1 gene in fragile X cells treated with 5-azadeoxycytidine. *Nucleic Acids Res*, Vol.30, No.14, (Jul 15), pp. 3278-85, ISSN.1362-4962
- Pietrobono, R., Tabolacci, E., Zalfa, F., Zito, I., Terracciano, A., Moscato, U., Bagni, C., Oostra, B., Chiurazzi, P. & Neri, G. (2005). Molecular dissection of the events leading to inactivation of the FMR1 gene. *Hum Mol Genet*, Vol.14, No.2, (Jan 15), pp. 267-77, ISSN.0964-6906
- Ranum, L. P. & Cooper, T. A. (2006). RNA-mediated neuromuscular disorders. *Annu Rev Neurosci*, Vol.29, pp. 259-77, ISSN.0147-006X
- Reik, W., Maher, E. R., Morrison, P. J., Harding, A. E. & Simpson, S. A. (1993). Age at onset in Huntington's disease and methylation at D4S95. *J Med Genet*, Vol.30, No.3, (Mar), pp. 185-8, ISSN.0022-2593
- Robertson, K. D. (2005). DNA methylation and human disease. *Nat Rev Genet*, Vol.6, No.8, (Aug), pp. 597-610, ISSN.1471-0056
- Sarafidou, T., Kahl, C., Martinez-Garay, I., Mangelsdorf, M., Gesk, S., Baker, E., Kokkinaki, M., Talley, P., Maltby, E. L., French, L., Harder, L., Hinzmann, B., Nobile, C., Richkind, K., Finnis, M., Deloukas, P., Sutherland, G. R., Kutsche, K., Moschonas, N. K., Siebert, R. & Gecz, J. (2004). Folate-sensitive fragile site FRA10A is due to an expansion of a CCG repeat in a novel gene, FRA10AC1, encoding a nuclear protein. *Genomics*, Vol.84, No.1, (Jul), pp. 69-81, ISSN.0888-7543
- Savouret, C., Brisson, E., Essers, J., Kanaar, R., Pastink, A., te Riele, H., Junien, C. & Gourdon, G. (2003). CTG repeat instability and size variation timing in DNA repair-deficient mice. *EMBO J*, Vol.22, No.9, (May 1), pp. 2264-73, ISSN.0261-4189
- Savouret, C., Garcia-Cordier, C., Megret, J., te Riele, H., Junien, C. & Gourdon, G. (2004). MSH2-dependent germinal CTG repeat expansions are produced continuously in spermatogonia from DM1 transgenic mice. *Mol Cell Biol*, Vol.24, No.2, (Jan), pp. 629-37, ISSN.0270-7306
- Schara, U. & Schoser, B. G. (2006). Myotonic dystrophies type 1 and 2: a summary on current aspects. *Semin Pediatr Neurol*, Vol.13, No.2, (Jun), pp. 71-9, ISSN.1071-9091
- Steinbach, P., Glaser, D., Vogel, W., Wolf, M. & Schwemmle, S. (1998). The DMPK gene of severely affected myotonic dystrophy patients is hypermethylated proximal to the largely expanded CTG repeat. *Am J Hum Genet*, Vol.62, No.2, (Feb), pp. 278-85, ISSN.0002-9297

- Sutcliffe, J. S., Nelson, D. L., Zhang, F., Pieretti, M., Caskey, C. T., Saxe, D. & Warren, S. T. (1992). DNA methylation represses FMR-1 transcription in fragile X syndrome. *Hum Mol Genet*, Vol.1, No.6, (Sep), pp. 397-400, ISSN.0964-6906
- Tabolacci, E., Pietrobono, R., Moscato, U., Oostra, B. A., Chiurazzi, P. & Neri, G. (2005). Differential epigenetic modifications in the FMR1 gene of the fragile X syndrome after reactivating pharmacological treatments. *Eur J Hum Genet*, Vol.13, No.5, (May), pp. 641-8, ISSN.1018-4813
- Tassone, F., Hagerman, R. J., Taylor, A. K., Gane, L. W., Godfrey, T. E. & Hagerman, P. J. (2000). Elevated levels of FMR1 mRNA in carrier males: a new mechanism of involvement in the fragile-X syndrome. *Am J Hum Genet*, Vol.66, No.1, (Jan), pp. 6-15, ISSN.0002-9297
- Taylor, A. K., Tassone, F., Dyer, P. N., Hersch, S. M., Harris, J. B., Greenough, W. T. & Hagerman, R. J. (1999). Tissue heterogeneity of the FMR1 mutation in a high-functioning male with fragile X syndrome. *Am J Med Genet*, Vol.84, No.3, (May 28), pp. 233-9, ISSN.0148-7299
- Thornton, C. A., Wymer, J. P., Simmons, Z., McClain, C. & Moxley, R. T., 3rd (1997). Expansion of the myotonic dystrophy CTG repeat reduces expression of the flanking DMAHP gene. *Nat Genet*, Vol.16, No.4, (Aug), pp. 407-9, ISSN.1061-4036
- Verkerk, A. J., Pieretti, M., Sutcliffe, J. S., Fu, Y. H., Kuhl, D. P., Pizzuti, A., Reiner, O., Richards, S., Victoria, M. F., Zhang, F. P. & et al. (1991). Identification of a gene (FMR-1) containing a CGG repeat coincident with a breakpoint cluster region exhibiting length variation in fragile X syndrome. *Cell*, Vol.65, No.5, (May 31), pp. 905-14, ISSN.0092-8674
- Watanabe, T., Tomizawa, S., Mitsuya, K., Totoki, Y., Yamamoto, Y., Kuramochi-Miyagawa, S., Iida, N., Hoki, Y., Murphy, P. J., Toyoda, A., Gotoh, K., Hiura, H., Arima, T., Fujiyama, A., Sado, T., Shibata, T., Nakano, T., Lin, H., Ichyanagi, K., Soloway, P. D. & Sasaki, H. (2011). Role for piRNAs and noncoding RNA in de novo DNA methylation of the imprinted mouse Rasgrf1 locus. *Science*, Vol.332, No.6031, (May 13), pp. 848-52, ISSN.1095-9203
- Wheeler, V. C., Lebel, L. A., Vrbanac, V., Teed, A., te Riele, H. & MacDonald, M. E. (2003). Mismatch repair gene Msh2 modifies the timing of early disease in Hdh(Q111) striatum. *Hum Mol Genet*, Vol.12, No.3, (Feb 1), pp. 273-81, ISSN.0964-6906
- Wheeler, V. C., Persichetti, F., McNeil, S. M., Mysore, J. S., Mysore, S. S., MacDonald, M. E., Myers, R. H., Gusella, J. F. & Wexler, N. S. (2007). Factors associated with HD CAG repeat instability in Huntington disease. *J Med Genet*, Vol.44, No.11, (Nov), pp. 695-701, ISSN.1468-6244
- Winnepenninckx, B., Debacker, K., Ramsay, J., Smeets, D., Smits, A., FitzPatrick, D. R. & Kooy, R. F. (2007). CGG-repeat expansion in the DIP2B gene is associated with the fragile site FRA12A on chromosome 12q13.1. *Am J Hum Genet*, Vol.80, No.2, (Feb), pp. 221-31, ISSN.0002-9297
- Wohrle, D., Kennerknecht, I., Wolf, M., Enders, H., Schwemmle, S. & Steinbach, P. (1995). Heterogeneity of DM kinase repeat expansion in different fetal tissues and further expansion during cell proliferation in vitro: evidence for a casual involvement of methyl-directed DNA mismatch repair in triplet repeat stability. *Hum Mol Genet*, Vol.4, No.7, (Jul), pp. 1147-53, ISSN.0964-6906
- Yates, P. A., Burman, R. W., Mummaneni, P., Krussel, S. & Turker, M. S. (1999). Tandem B1 elements located in a mouse methylation center provide a target for de novo DNA methylation. *J Biol Chem*, Vol.274, No.51, (Dec 17), pp. 36357-61, ISSN.0021-9258





## **DNA Methylation - From Genomics to Technology**

Edited by Dr. Tatiana Tatarinova

ISBN 978-953-51-0320-2

Hard cover, 400 pages

**Publisher** InTech

**Published online** 16, March, 2012

**Published in print edition** March, 2012

Epigenetics is one of the most exciting and rapidly developing areas of modern genetics with applications in many disciplines from medicine to agriculture. The most common form of epigenetic modification is DNA methylation, which plays a key role in fundamental developmental processes such as embryogenesis and also in the response of organisms to a wide range of environmental stimuli. Indeed, epigenetics is increasingly regarded as one of the major mechanisms used by animals and plants to modulate their genome and its expression to adapt to a wide range of environmental factors. This book brings together a group of experts at the cutting edge of research into DNA methylation and highlights recent advances in methodology and knowledge of underlying mechanisms of this most important of genetic processes. The reader will gain an understanding of the impact, significance and recent advances within the field of epigenetics with a focus on DNA methylation.

### **How to reference**

In order to correctly reference this scholarly work, feel free to copy and paste the following:

Mark A. Pook (2012). DNA Methylation and Trinucleotide Repeat Expansion Diseases, DNA Methylation - From Genomics to Technology, Dr. Tatiana Tatarinova (Ed.), ISBN: 978-953-51-0320-2, InTech, Available from: <http://www.intechopen.com/books/dna-methylation-from-genomics-to-technology/dna-methylation-effects-in-trinucleotide-repeat-diseases>

# **INTECH**

open science | open minds

### **InTech Europe**

University Campus STeP Ri  
Slavka Krautzeka 83/A  
51000 Rijeka, Croatia  
Phone: +385 (51) 770 447  
Fax: +385 (51) 686 166  
[www.intechopen.com](http://www.intechopen.com)

### **InTech China**

Unit 405, Office Block, Hotel Equatorial Shanghai  
No.65, Yan An Road (West), Shanghai, 200040, China  
中国上海市延安西路65号上海国际贵都大饭店办公楼405单元  
Phone: +86-21-62489820  
Fax: +86-21-62489821