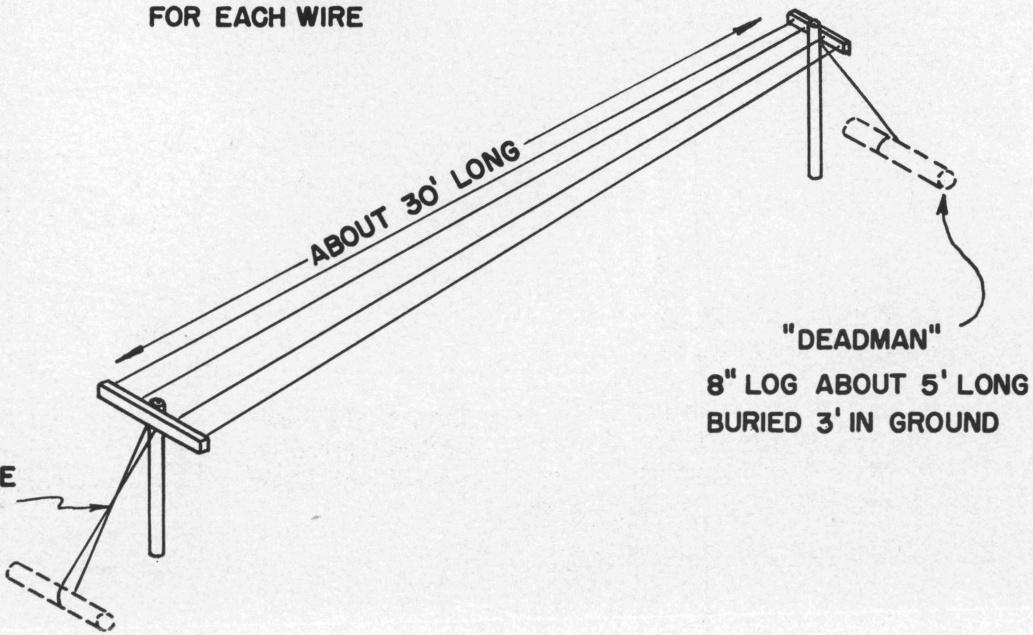
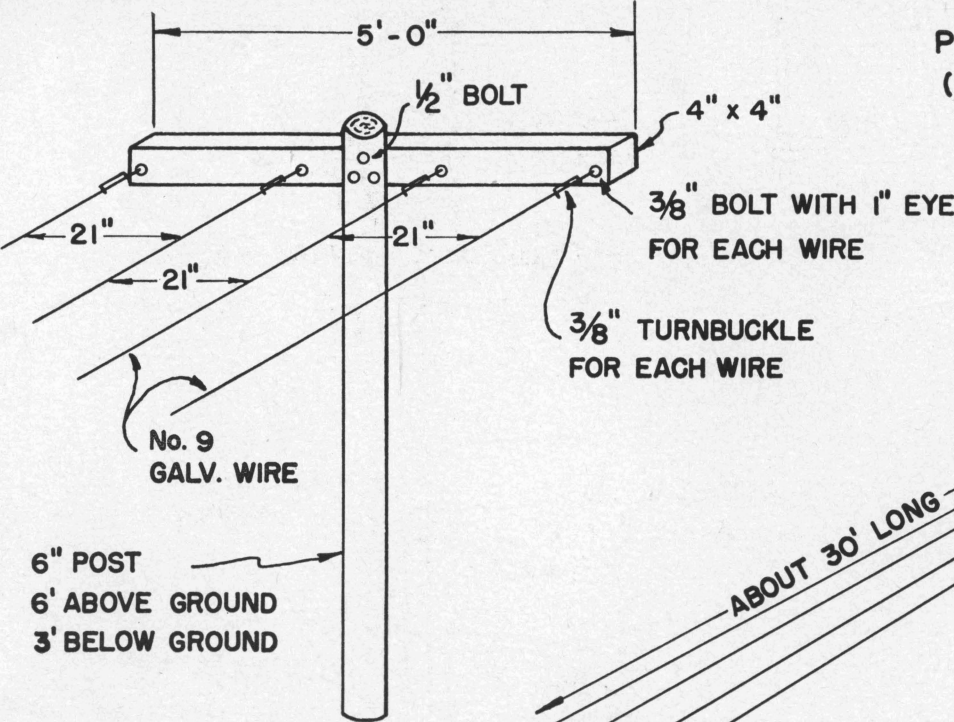


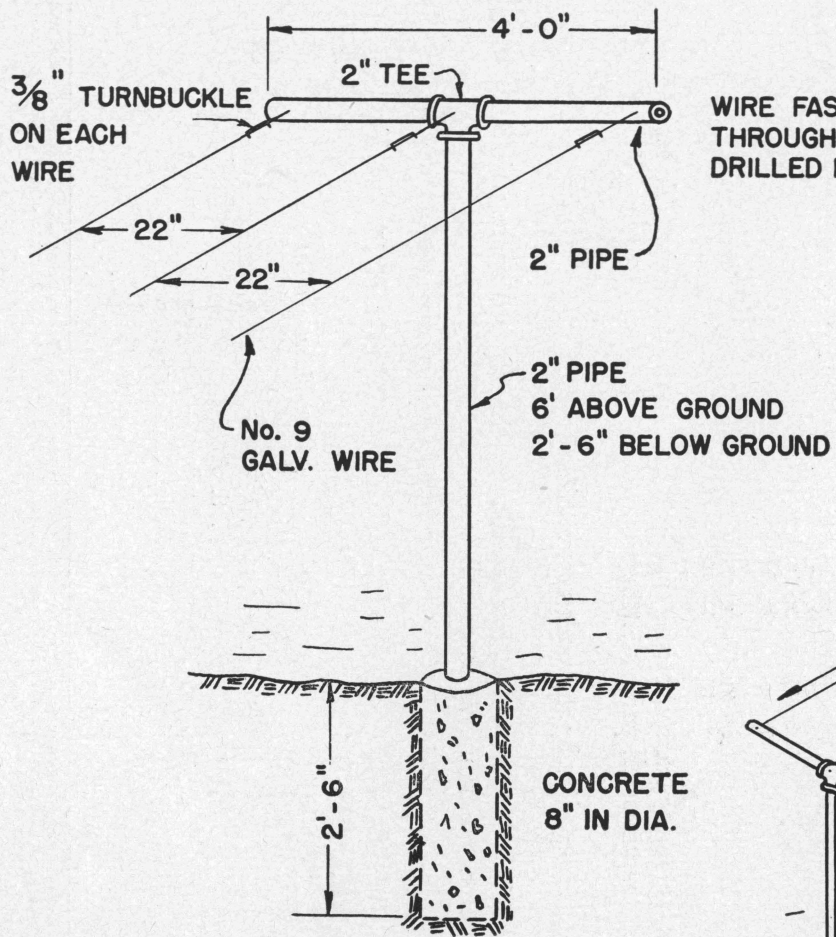
Hanging Out The Wash



Issued by
The Extension Service
The Texas A. & M. College System and
the United States Department of Agriculture
G. G. Gibson, Director, College Station, Texas

**PLANS FOR CLOTHESLINES
(USING WOOD POSTS AND BAR)**



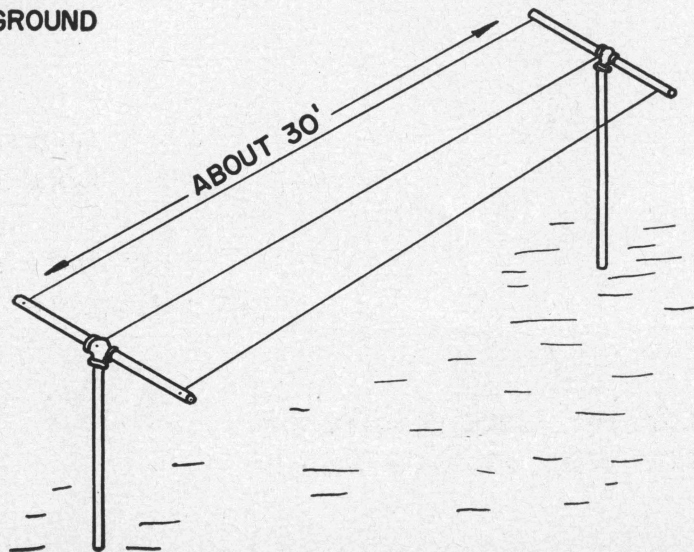


WIRE FASTENED THROUGH HOLE DRILLED IN PIPE

(USING PIPE SET IN CONCRETE)

NOTE - IF SOIL IS SANDY OR WILL NOT MAINTAIN POST UPRIGHT - TIE TO "DEADMAN" AS IN OTHER DRAWING

CROSS-ARM MAY BE WELDED INSTEAD OF USING "TEE"



Hangin' Out The Wash

1. Hang clothes on lines located near the laundry area to save steps and time.
2. Save energy when hanging out clothes by placing basket on a laundry cart or child's wagon.
3. Keep clothes pins within easy reach by using an apron with pockets or a bag which will hang on the line.
4. Hang cup towels, towels, pillow cases, table cloths, etc., one-third over the line to avoid dog-eared corners.
5. Hang sheets and table cloths doubled with hems together one-third over the line.
6. Handkerchiefs and napkins can be grouped to save space and hung over the line like other flat pieces—never by one corner.
7. Hang shirts by their tails placed over the line and fasten with a clothes pin at the center and both sides.
8. Hang dresses, blouses, gowns, and pajama tops by the shoulder seams.
9. Hang trousers, shorts, and pajama bottoms by the waist. To make ironing pants easier, pants stretchers may be used.
10. Hang slips by the underarm section.

Fold flat clothes as they are taken from the line to reduce wrinkles. Place in basket on laundry cart or child's wagon.

By

MINNIE BELL

Extension Specialist in Home Management

MRS. EULA J. NEWMAN

Extension Specialist in Home Management

W. S. ALLEN

Agricultural Engineer — Buildings
Texas A. and M. College System