

## ARTICLE

# Mutations in the fukutin-related protein gene (*FKRP*) identify limb girdle muscular dystrophy 2I as a milder allelic variant of congenital muscular dystrophy MDC1C

Martin Brockington<sup>1</sup>, Yeliz Yuva<sup>1</sup>, Paola Prandini<sup>1</sup>, Susan C. Brown<sup>1</sup>, Silvia Torelli<sup>1,2</sup>, Matthew A. Benson<sup>3</sup>, Ralf Herrmann<sup>4</sup>, Louise V.B. Anderson<sup>5</sup>, Rumaisa Bashir<sup>6</sup>, Jean-Marc Burgunder<sup>7</sup>, Shari Fallet<sup>8</sup>, Norma Romero<sup>9</sup>, Michel Fardeau<sup>9</sup>, Volker Straub<sup>4</sup>, Gillian Storey<sup>6</sup>, Christine Pollitt<sup>5</sup>, Isabelle Richard<sup>6</sup>, Caroline A. Sewry<sup>1,10</sup>, Kate Bushby<sup>5</sup>, Thomas Voit<sup>4</sup>, Derek J. Blake<sup>3</sup> and Francesco Muntoni<sup>1,\*</sup>

<sup>1</sup>Dubowitz Neuromuscular Centre, Department of Paediatrics, Faculty of Medicine, Imperial College, Hammersmith Hospital Campus, London, UK, <sup>2</sup>Department of Cytomorphology, University of Cagliari, Italy, <sup>3</sup>Department of Human Anatomy and Genetics, University of Oxford, UK, <sup>4</sup>Department of Paediatrics and Paediatric Neurology, University of Essen, Germany, <sup>5</sup>Department of Biochemistry and Genetics, University of Newcastle upon Tyne, UK, <sup>6</sup>Department of Biological Sciences, University of Durham, UK, <sup>7</sup>University Bern Inselspital, CH-3010 Bern, Switzerland, <sup>8</sup>Children's Hospital of New Jersey, Newark, USA, <sup>9</sup>Inserm U 523, Institut De Myologie, Groupe Hospitalier Pitie-Salpetriere, Paris, France and <sup>10</sup>Department of Histopathology, Robert Jones and Agnes Hunt, Orthopaedic Hospital, Oswestry, UK

Received August 2, 2001; Revised and Accepted October 1, 2001

DDBJ/EMBL/GenBank accession no. AJ31487

**The limb girdle and congenital muscular dystrophies (LGMD and CMD) are characterized by skeletal muscle weakness and dystrophic muscle changes. The onset of symptoms in CMD is within the first few months of life, whereas in LGMD they can occur in late childhood, adolescence or adult life. We have recently demonstrated that the fukutin-related protein gene (*FKRP*) is mutated in a severe form of CMD (MDC1C), characterized by the inability to walk, leg muscle hypertrophy and a secondary deficiency of laminin  $\alpha$ 2 and  $\alpha$ -dystroglycan. Both MDC1C and LGMD2I map to an identical region on chromosome 19q13.3. To investigate whether these are allelic disorders, we undertook mutation analysis of *FKRP* in 25 potential LGMD2I families, including some with a severe and early onset phenotype. Mutations were identified in individuals from 17 families. A variable reduction of  $\alpha$ -dystroglycan expression was observed in the skeletal muscle biopsy of all individuals studied. In addition, several cases showed a deficiency of laminin  $\alpha$ 2 either by immunocytochemistry or western blotting. Unexpectedly, affected individuals from 15 families had an identical C826A (Leu276Ileu) mutation, including five that were homozygous for this change. Linkage analysis identified at least two possible haplotypes in linkage disequilibrium with this mutation. Patients with the C826A change had the clinically less severe LGMD2I phenotype, suggesting that this is a less disruptive *FKRP* mutation than those found in MDC1C. The spectrum of LGMD2I phenotypes ranged from infants with an early presentation and a Duchenne-like disease course including cardiomyopathy, to milder phenotypes compatible with a favourable long-term outcome.**

## INTRODUCTION

The progressive muscle degeneration that gives rise to dystrophic changes on skeletal muscle biopsy is found in a variety of clinically and genetically defined conditions. Two

common forms of muscular dystrophy, distinguishable by their age of onset, are the congenital muscular dystrophies (CMDs) and the limb-girdle muscular dystrophies (LGMDs). In CMD, onset of symptoms is at birth or within the first 6 months of life (1), whereas in LGMD, they can occur in late childhood,

\*To whom correspondence should be addressed at: The Dubowitz Neuromuscular Unit, Division of Paediatrics, Obstetrics and Gynaecology, Faculty of Medicine, Imperial College, Hammersmith Hospital Campus, Du Cane Road, London W12 0NN, UK. Tel: +44 20 8383 3295; Fax: +44 20 8740 8281; Email: f.muntoni@ic.ac.uk

**Table 1.** Summary of the clinical features of LGMD2I patients

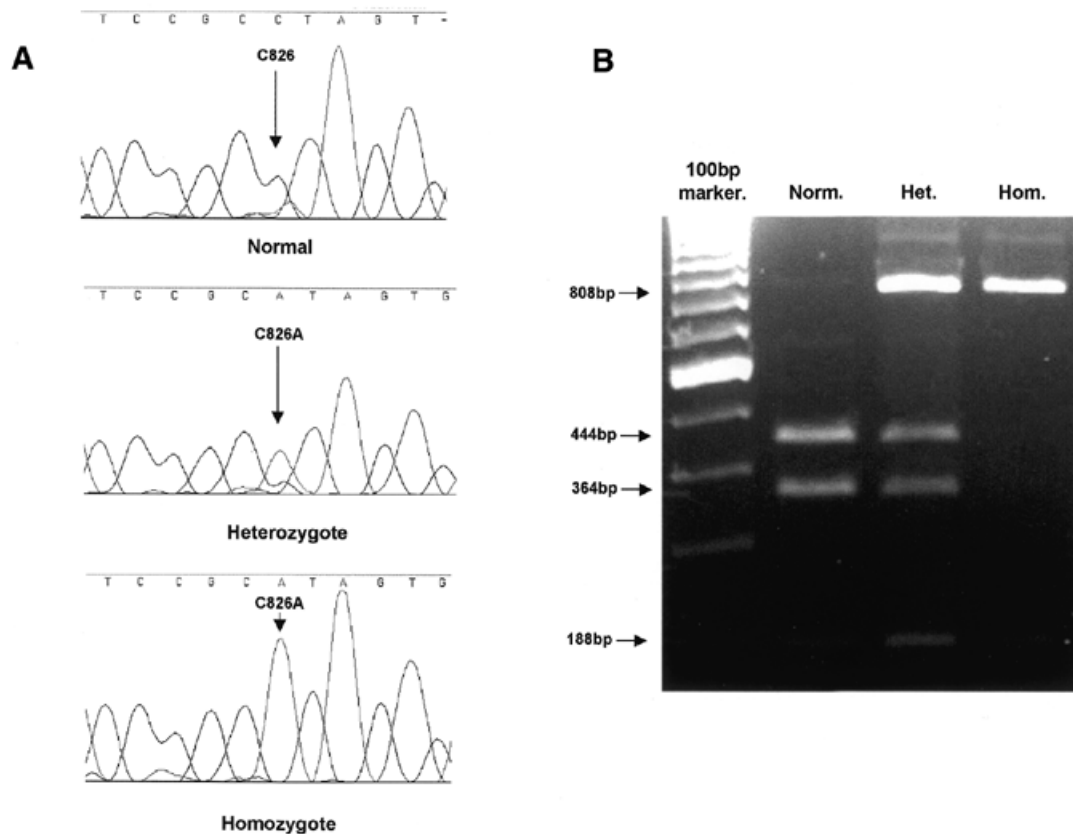
Family	Sex	Age (years)	Age onset (years)	First symptom	Serum CK	Muscle hypertrophy	Weakest muscle	Cardiomyopathy	Wheelchair bound	Laminin $\alpha 2$	$\alpha$ -Dystroglycan
1	M	6	<0.5	Hypotonia, DMM	>1000	Calf, legs	Hip girdle	No	No	Normal (I)	ND
2	F	10	1	Hypotonia, DMM	3160	Tongue	Neck, shoulder	Borderline LVF	No	Reduced (I)	Severely reduced
3	M	18	1.5	Waddle	2850	Leg, calves, tongue	Hip = shoulder girdle	Severe LV, hypokinesia	14	ND	ND
	M	11	1.5	Waddle	2328	Leg, calves, tongue	Hip = shoulder girdle	ND	No	ND	ND
4	M	19	1.5	Waddle	1700–3300	Leg, tongue	Hip = shoulder girdle	Moderate LV, hypokinesia	12	ND	Severely reduced
5	F	20	2	Waddle	3160	Leg, calves	Deltoid	LVD	13	Reduced (I)	Severely reduced
6	F	10	2.5	Toe walking, fatigue	1380–7795	Leg, calves	Deltoid	ND	No	Reduced (I)	Reduced
7	F	10	2.5	DMM	1278	No	Hip girdle	No	No	Reduced (I)	ND
8	M	28	4	Toe walking, no running	4105	No	Hip girdle	Moderate LV, hypokinesia	No	ND	ND
	M	22	4	No running	ND	No	Hip girdle	ND	No	ND	ND
9	F	37	7	Waddle, arm weakness	1150	Tongue	Shoulder girdle	No	12	ND	ND
	M	NA	NA	NA	NA	NA	NA	NA	NA	ND	ND
10	F	17	9	Gowers	2910–8200	Calf, legs	Neck, deltoid	Borderline LVF	No	Reduced (I)	Severely reduced
11	F	18	9	Stairs	>1000	No	Tibialis anterior	No	No	ND	ND
	M	NA	NA	NA	NA	NA	NA	NA	NA	ND	ND
12	M	16	13	Gowers	1305–6820	Leg, calves	Deltoid	ND	No	Reduced (I)	Severely reduced
13	F	37	27	Stairs	2870	Calf	Hip girdle	No	Part-time, 35	Reduced (WB)	Reduced
14	F	39	28	Stairs	2300	Calf, brachioradialis	Triceps, hip girdle	ND	No	Reduced (WB)	ND
15	F	46	40	Stairs, running	2230	Calf, brachioradialis	Hip girdle	No	No	Reduced (WB)	Reduced
	M	48	35	Stairs	1123	Brachioradialis	Hip girdle	No	No	Reduced, (WB)	ND
16	M	37	29	Stairs	>1000	Calf, brachioradialis	Hip girdle	No	Part-time, 36	Reduced (WB)	Reduced
17	F	27	23	Stairs	4210	Leg, calves	Hip = shoulder girdle	No	No	Reduced (I)	Reduced

WB, western blot; ND, no data; NA, not available; LVF, left ventricular function; LV, left ventricular.

adolescence or even adult life (2,3). Both CMD and LGMD are highly heterogeneous diseases. Inheritance in LGMD can be either autosomal dominant (LGMD type 1) or autosomal recessive (LGMD type 2), whereas CMD is always recessively inherited. To date, at least 14 types of LGMD have been reported and though the majority of causative genes have been found to encode proteins associated with the sarcolemma, genes encoding cytoskeletal proteins and muscle-specific enzymes have also been implicated (2). Fewer disease genes have been identified in CMD (reviewed in 4). Mutations in the *LAMA2* gene on chromosome 6q22–23, encoding the laminin  $\alpha 2$  chain of merosin (laminin-2), were identified in 1994 and account for ~40% of CMD cases (5–7). Merosin is an extra-

cellular matrix protein that consists of three laminin chains,  $\alpha 2\beta 1\gamma 1$ , with  $\alpha 2$  forming a link between the peripheral membrane protein  $\alpha$ -dystroglycan and the basal lamina. Children with mutations in the *LAMA2* gene usually have absent protein expression and a severe form of CMD, commonly referred to as merosin-deficient CMD or MDC1A.

It is now clear, both clinically and genetically, that CMD and LGMD can overlap, suggesting that the underlying pathology in these diseases may follow a similar pathway. We have previously described a large Turkish kindred, with a clear LGMD phenotype, linked to the *LAMA2* locus (8). Patients had a reduction in the expression of laminin  $\alpha 2$  in their skeletal muscle biopsy. More recently, mutations in the *LAMA2* gene in



**Figure 1.** (A) Sequencing chromatograms showing the C826A mutation. (B) Restriction enzyme analysis of the C826A mutation. A 996 bp PCR fragment was digested with *BfaI*. Wild-type DNA is cut into three fragments of 445, 364 and 189 bp, whereas products containing the mutation, which introduces the loss of a *BfaI* site, are cleaved into two fragments of 808 and 189 bp. Norm., wild-type DNA; Het., heterozygote; Hom., homozygote.

**Table 2.** Summary of *FKRP* mutations in LGMDI

Family	Change	Protein effect	Mutational status
6, 8, 13, 14, 15	C826A	Leu276Ile	Homozygous
1	G1016T	Arg339Leu	Homozygous
3, 4, 5, 12, 16, 17	C826A	Leu276Ile	Compound Heterozygote
2	C826A	Leu276Ile	Compound
	390insTACC	Gly132Stop	Heterozygote
9	C826A	Leu276Ile	Compound
	C934T	Arg312Cys	Heterozygote
7	C826A	Leu276Ile	Compound
	C947G	Pro316Arg	Heterozygote
10	C826A	Leu276Ile	Compound
	426del12nt	143delRMVE	Heterozygote
11	C427A	Arg143Ser	Compound
	?		Heterozygote

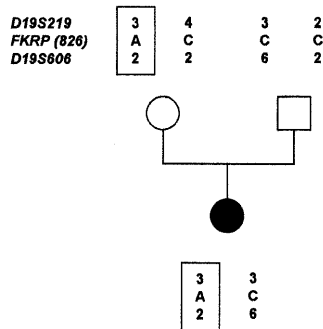
?, second allelic mutation unidentified.

several patients with a LGMD phenotype and a partial laminin  $\alpha 2$  deficiency have been identified (9–11), confirming that

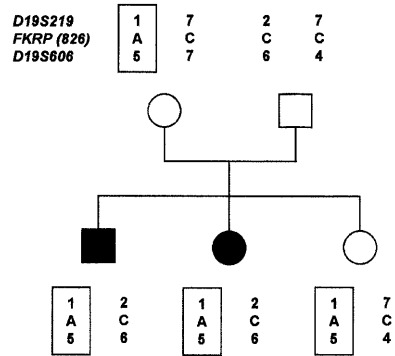
mutations in this gene can result in either a severe disease (MDC1A) or a mild LGMD-like disorder, depending on the type and location of the mutation within the gene.

A number of CMD forms have been described that have a reduction in laminin  $\alpha 2$  expression not due to mutations in the *LAMA2* gene (secondary laminin  $\alpha 2$  deficiency). One of these is Fukuyama CMD (FCMD; MIM 253800), a multi-system disease in which brain, skeletal and cardiac muscle are affected (12). The *FCMD* gene encodes fukutin, a protein of unknown function (13). A profound depletion of skeletal and cardiac muscle  $\alpha$ -dystroglycan has recently been reported in FCMD (14). We have recently identified a new member of the fukutin protein family, *FKRP* (15) (fukutin-related protein). Analysis of both *FKRP* and fukutin demonstrates sequence similarities to a family of proteins involved in modifying cell surface molecules, such as glycoproteins and glycolipids (16). All members of this family of proteins contain a conserved DxD motif found in many glycosyltransferases (17), though formal proof that *FKRP* is itself a glycosyltransferase remains to be demonstrated. Both proteins also have a putative type II membrane spanning a region consistent with localization to the Golgi apparatus, though it has been suggested that fukutin is also secreted (13). The *FKRP* gene is mutated in a severe form of CMD (MDC1C), characterized by early onset, inability to achieve independent ambulation, muscle hypertrophy, marked elevation of serum creatine kinases (CK), no brain involvement

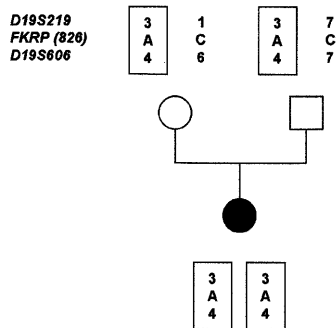
**Family 2**



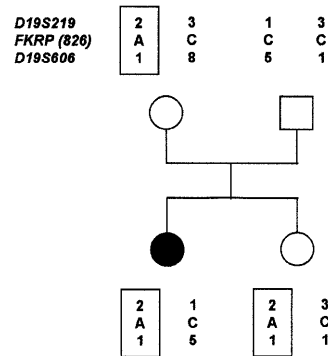
**Family 3**



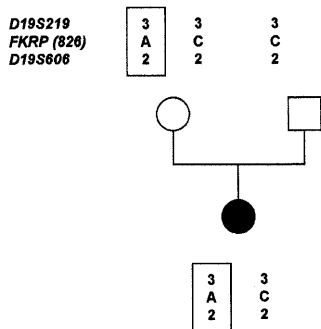
**Family 6**



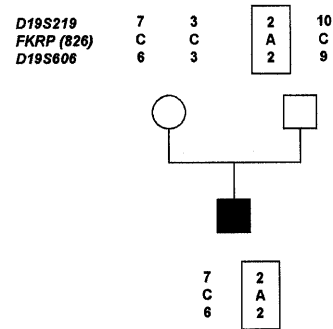
**Family 7**



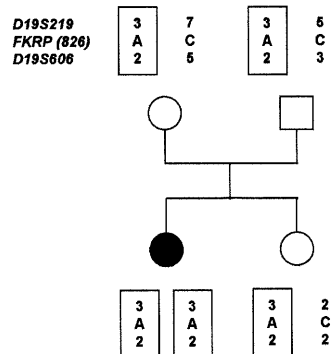
**Family 10**



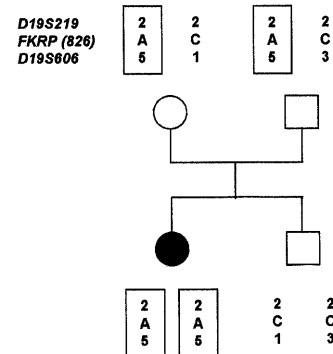
**Family 12**

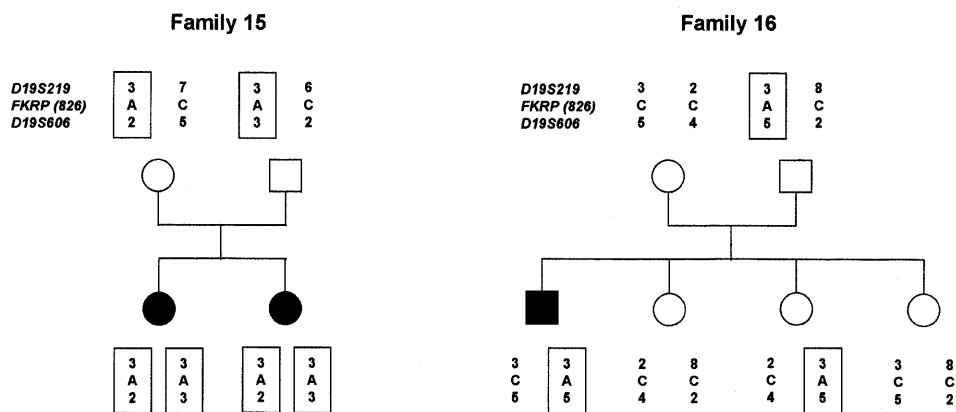


**Family 13**



**Family 14**





**Figure 2** (above and opposite). The pedigrees of 10 LGMD2I families showing the inheritance of the C826A mutation. The haplotypes containing the mutation are boxed. Markers *D19S219* and *D19S606* are based 3 cM apart on the Genethon map. *D19S606* is <500 kb away from *FKRP* according to the latest sequence maps.

and a secondary deficiency of laminin  $\alpha 2$  (15). In addition, affected individuals had a marked decrease in immunostaining of muscle  $\alpha$ -dystroglycan and a reduction in its molecular weight on western blot analysis. We have suggested the abnormal expression of  $\alpha$ -dystroglycan is most likely a result of its altered glycosylation.

The *FKRP* gene maps to an identical region on chromosome 19q13.3 as LGMD2I (17), between markers *D19S219* and *D19S606*, suggesting that MDC1C and LGMD2I may be allelic disorders. To test this hypothesis we collected 25 LGMD families, including 14 that were consistent with links to the LGMD2I locus. Mutation analysis of the *FKRP* gene identified mutations in 17 families. In patients where muscle was available, a secondary laminin  $\alpha 2$  deficiency and a variable reduction in  $\alpha$ -dystroglycan expression were observed.

## RESULTS

### Mutation screening of the *FKRP* gene in LGMD2I

Sequence analysis of the *FKRP* coding region identified mutations in individuals from 17 families, whose clinical features are summarized in Table 1 and mutations in Table 2. Unexpectedly, 15 families had an identical C826A (Leu276Ileu) mutation, of which five were homozygous for the mutation and the remainder were compound heterozygotes. None of the homozygous individuals was the offspring of consanguineous marriages. In the 10 families heterozygous for the C826A mutation we were able to identify the second allelic mutation in four cases. These were two missense mutations in families 7 and 9 (C934T and C947G), one nonsense mutation due to a 4 nt duplication in family 2 (390insTACC) and a 12 nt in-frame deletion (426del12) in family 10. In two families without the C826A mutation, we identified a homozygous G1016A missense mutation in family 1, a consanguineous family, and a C427A heterozygous missense mutation in family 11. Since the C826A mutation was present in a large number of families, we took advantage of the loss of a *Bfal* restriction site induced by the change (Materials and Methods; Fig. 1) to rule out this to be a polymorphism. On screening

controls, only one heterozygous individual was identified out of a total of 200 control chromosomes. We considered these mutations to be pathogenic since they were not present in at least 100 control chromosomes and segregated with the disease in an autosomal recessive fashion.

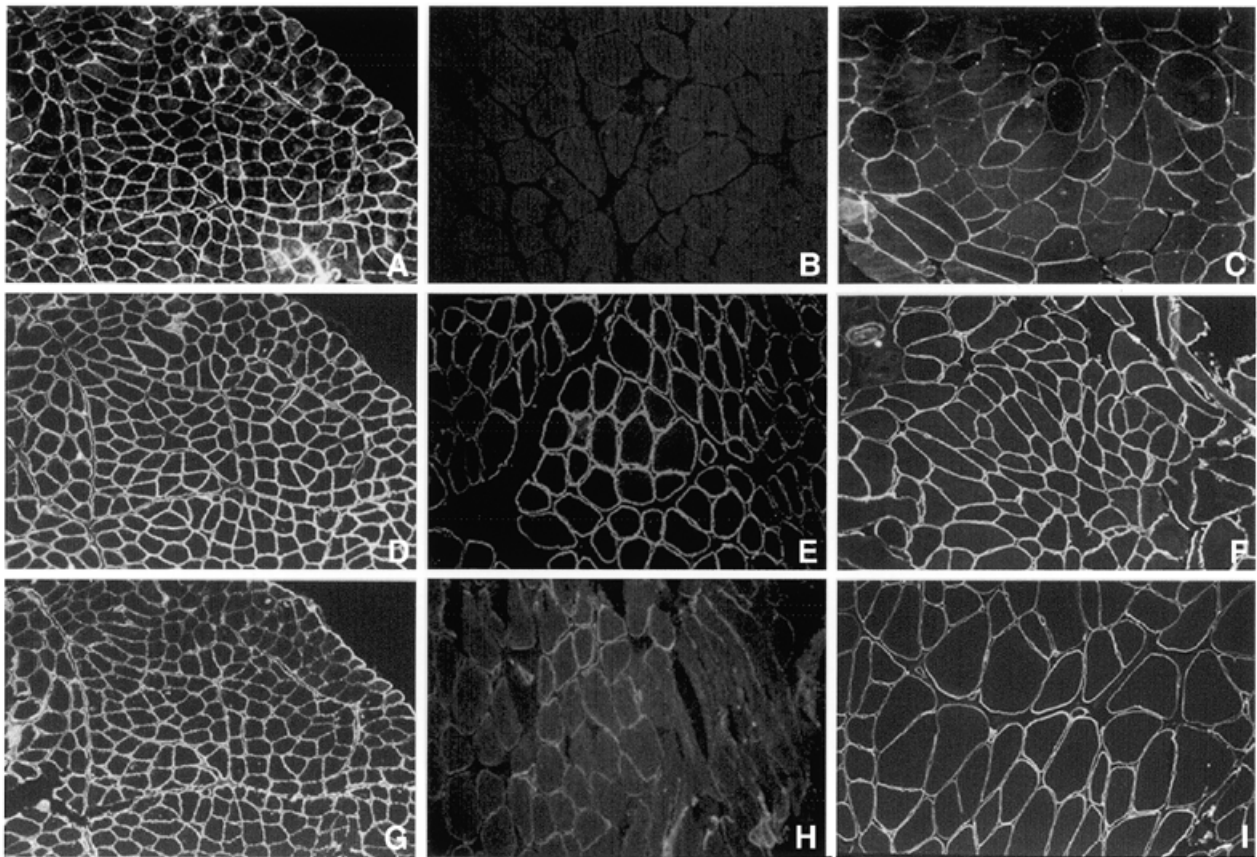
In eight cases we did not observe any changes in the *FKRP* coding sequence. Four of these individuals came from genetically informative families that were compatible with linkage to the *FKRP* locus. The other four were isolated cases.

### Haplotype analysis of families with the C826A mutation

We used markers *D19S219* and *D19S606* to haplotype families harbouring the C826A mutation, since radiation hybrid mapping suggested these were the closest markers flanking *FKRP* in the Genethon database. The order of markers is centromere–*D19S219*–*FKRP*–*D19S606*–telomere. The interval between the markers is 3 cM according to the Genethon map. Sequence data for this region of the genome puts *D19S606* as the closest marker, no more than 500 kb downstream of the *FKRP* gene. In 10 families haplotyping was possible to check for linkage disequilibrium with the C826A mutation. Amongst the families tested, there was not a conserved haplotype (Fig. 2). However, marker *D19S606*, the most closely linked marker to *FKRP*, identified two alleles at a higher than expected frequency. Allele 2 was found in five haplotypes and allele 5 in four haplotypes (compared to a frequency of 0.036 for allele 2 and 0.018 for allele 5 in the CEPH database).

### Immunohistochemistry and western blot analysis

The histological changes were characteristic of a muscular dystrophy in all patients. The expression of all proteins regularly screened for in the biopsies of patients with muscular dystrophy were normal. These included dystrophin,  $\alpha$ -,  $\beta$ -,  $\gamma$ -sarcoglycans, caveolin, dysferlin, emerin, lamin A/C and calpain 3 (data not shown). Immunocytochemical analysis of laminin  $\alpha 2$  using antibodies against both the 80 and 300 kDa fragments was reduced in several patients with a more severe phenotype (Fig. 3; Table 1), whereas it was normal in the remaining patients with the exception of few scattered fibres



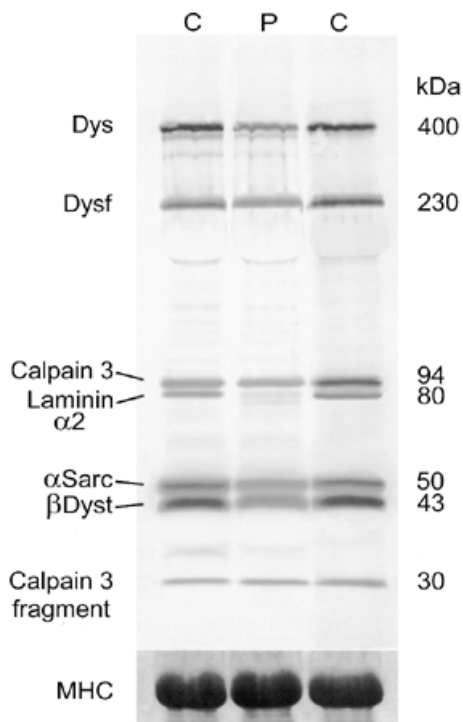
**Figure 3.** Immunocytochemical localization of  $\alpha$ -dystroglycan (A–C),  $\beta$ -dystroglycan (D–F) and laminin  $\alpha$ 2 (300 kDa) (G–I) in control muscle (A, D and G), family 5 (B, E and H) and family 15 (C, F and I).

(data not shown). Since  $\alpha$ -dystroglycan is a heavily glycosylated protein, we used two antibodies, V1A4-1 (Upstate Biotechnology) raised against an unknown epitope and a sheep polyclonal antibody, directed towards the core protein. Both antibodies clearly delineate individual muscle fibres with no apparent differences between fibre types in control muscle. In 10 patients with LGMD2I whose muscle was available to study,  $\alpha$ -dystroglycan expression was found to be abnormal (Table 1). This was more marked using the V1A4-1 antibody than with the antibody to the core protein in (Fig. 3A). The apparent reduction in  $\alpha$ -dystroglycan was more marked than laminin  $\alpha$ 2 (Fig. 3B). The pattern of  $\beta$ -dystroglycan labelling was normal, including those fibres in which  $\alpha$ -dystroglycan was reduced.

Western blot analysis using an antibody that recognized the 80 kDa merosin fragment revealed an absence or near-absence of labelling in family 15 (Fig. 4). This is identical to previous observations in this family, who along with families 13, 14 and 16, were reported as being affected by an 'adult merosinopathy' (18). The molecular mass of residual laminin  $\alpha$ 2 was normal, as was the expression of other proteins studied (Fig. 4). The virtual absence of laminin  $\alpha$ 2 on western blot was in marked contrast with the immunocytochemical analyses, where no reduction in its expression was evident.

## DISCUSSION

In this work mutations in the *FKRP* gene were identified in affected individuals from 17 families with LGMD2I. We originally demonstrated that mutations in this gene cause a severe form of CMD, MDC1C (15). The patients in this work had a variable phenotype, though all were less severe than MDC1C where patients never acquired independent ambulation. Patients at the severe end of the spectrum presented within the first 2 years of life with hypotonia, delayed motor milestones and followed by muscle hypertrophy (mostly in the legs, but also involving the tongue in several cases). These patients never acquired the ability to run or hop and followed a Duchenne-like disease course, with loss of independent ambulation in the early teens, followed by the development of cardiomyopathy. The remaining patients had milder phenotypes and are similar to those described in a large Tunisian family featured in the original description of LGMD2I (18). These patients were characterized by a later disease onset and a relatively benign course. Calf and to a lesser extent, thigh, brachioradialis and tongue muscle hypertrophy were present in most patients. Muscle cramps following exercise were also relatively common; one case had spontaneous myoglobinuria. Intelligence and brain MRI were normal. Serum CK was grossly elevated in all patients (between 10 and 30 times normal values) and the heart was variably affected, a feature not previ-



**Figure 4.** Multiplex western blot showing the marked reduction of the 80 kDa fragment of the laminin  $\alpha 2$  chain in family 15 (P) relative to controls (C). Protein loading of all samples was equivalent as shown by the staining of MHC on the gel after blotting.

ously reported in LGMD2I. The range of phenotypic severity due to *FKRP* mutations is surprisingly large and so far not observed in other forms of muscular dystrophy.

The *FKRP* mutations identified in the LGMD2I families were different from those seen in MDC1C. The most severe patient in this series was a consanguineous child from family 1 who was symptomatic in the first year of life and whose motor milestones were delayed. His phenotype was clearly intermediate between MDC1C and LGMD2I. Fifteen families had an identical C826A missense mutation. The five patients homozygous for this mutation had a relatively mild phenotype, whereas compound heterozygotes for this mutation on the whole had a more severe phenotype. Linkage analysis failed to identify a single founder haplotype associated with this mutation. However, we did observe two rare alleles of *D19S606* that appeared to be in linkage disequilibrium with the mutation, suggesting it may have arisen on a limited number of occasions. Although we identified *FKRP* mutations in 17 families, we were unable to find mutations in four families that were consistent with linkage to this locus. In addition, we have failed to identify the second mutation in six of the 10 compound heterozygotes for the C826A mutation. This strongly suggests that mutations exist outside the *FKRP* coding region in at least some of these families and analysis of these regions is presently under way.

Patients at the severe end of the LGMD2I spectrum showed a mild deficiency of laminin  $\alpha 2$  at the immunohistochemical level. Patients with a milder phenotype had normal expression of laminin  $\alpha 2$  on immunohistochemistry, but in four patients

western blot analysis identified a severe deficiency or total absence of this protein. These four families have been described previously by Bushby *et al.* (19). The discrepancy between the immunocytochemical and western blot analysis suggests that mutations in *FKRP* result in the altered processing, epitope masking or abnormal folding of the laminin  $\alpha 2$  polypeptide chain. The expression of  $\alpha$ -dystroglycan, but not  $\beta$ -dystroglycan, was abnormal in all muscle biopsies of LGMD2I patients available for study, an identical finding to MDC1C.  $\alpha$ - and  $\beta$ -dystroglycans are derived from post-translational cleavage of a single precursor peptide (20).  $\alpha$ -Dystroglycan is a heavily glycosylated peripheral membrane protein that forms a link between the actin associated cytoskeleton and, via laminin  $\alpha 2$ , the extracellular matrix (21,22). Laminin  $\alpha 2$  binds to a carbohydrate moiety of  $\alpha$ -dystroglycan (23). The pattern of  $\alpha$ -dystroglycan glycosylation differs not only between tissues but also within them, and different glycoforms may have different binding partners that mediate the function of  $\alpha$ -dystroglycan (23,24). Mutations in the *FKRP* gene appear to result in a selective deficiency of  $\alpha$ -dystroglycan in skeletal muscle, since the expression of other muscle proteins was normal. This is most likely due to an altered pattern of glycosylation, which would be expected to affect the function of  $\alpha$ -dystroglycan and be integral to the pathology in these patients. Recent evidence to support this comes from the abnormal expression of  $\alpha$ -dystroglycan in both FCMD (14) and the *myd* mouse, in which the LARGE glycosyltransferase gene is mutated (25). The deficiency of  $\alpha$ -dystroglycan represents an important biochemical marker in these conditions and in our experience is more sensitive than a deficiency of laminin  $\alpha 2$  expression.

Mutations in the *FKRP* gene account for a significant proportion of our patients with muscular dystrophy whose severity varied from a severe, congenital form characterized by inability to walk and early death (MDC1C), to a much milder form where patients are still ambulant in the fifth decade of life (LGMD2I). In our experience LGMD2I accounts for a large proportion of patients who have been previously excluded from other LGMD disease loci.

Most patients with a relatively mild disease course had a C826A mutation. As this mutation was mostly observed within two haplotypes, it is unlikely that it has arisen independently on multiple independent events. It may be there is some unknown selection pressure for the maintenance of this mutation within the population.

## MATERIALS AND METHODS

### Patients

Twenty-five families were studied after informed consent and approval of the local ethic committees. We have divided the case histories in two groups, depending on disease severity. Clinical information is summarized in Table 1.

### Patients with a severe phenotype (families 1–5)

In five families the clinical features were clearly more severe than in the remaining cases with a typical LGMD2I phenotype, with onset of symptoms before the age of 2 years. Despite the overlap with MDC1C, the disease course was significantly

milder when compared to this form of CMD, and resembled Duchenne muscular dystrophy in several aspects.

The clinical features in these five families were characterized by delay in early motor milestones, waddling gait, difficulties in running, mild facial weakness, calf and, in a few cases, tongue hypertrophy and Achilles tendon contractures. Intelligence and brain MRI were invariably normal whereas serum CK was markedly elevated (ranging from 1000 to 3160 IU/l, normal value < 190). Spontaneous bouts of myoglobinuria were observed in one case.

Three cases lost the ability to walk before the age of 14; evidence of cardiac involvement was present in four of these children. Additional features noticed in some families were soft and hyperextensible skin.

### Families with a mild phenotype (6–17)

The remaining 12 families belonged to this group. Four of these families have been described in the past (19). There were a total of 16 affected individuals; all families were non-consanguineous. Early motor milestones were normal in each case. Onset of symptoms was in the first decade of life in one patient who complained of calf cramps aged 3 and enlargement of the calves. In the remaining patients onset of symptoms was in the second or third decade of life. Weakness affected the lower girdle causing waddling gait. With the exception of one patient, who deteriorated following an accident, making her wheelchair dependent, progression was not severe with all patients remaining ambulant. Mild facial and neck flexion weakness was present in most patients. Calf and, less commonly, brachioradialis hypertrophy were observed. Proximal muscles in the lower and upper limbs were weaker than distal muscles. There was a mild reduction in lateral flexion and rotation of the neck in several patients but otherwise no significant contractures. Serum CK was markedly elevated in all patients (1545–3696 IU/l, normal value < 140 IU/l). Cardiac involvement, in the form of reduction of left ventricular function, was noticed in three families. Cardiac involvement was also noticed in patients with MDC1C (15).

### Linkage and haplotype analysis

DNA was extracted from whole blood using standard procedures after obtaining informed consent. Markers *D19S606* and *D19S219*, separated by 3 cM on the Genethon map and spanning the *FKRP* locus, were used in initial linkage analysis. Primers amplifying these markers were purchased from Invitrogen, with the forward primer modified at the 5' end by the addition of either a FAM or NED fluorescent label. PCR products were separated on a 5% denaturing gel (Amresco) in a ABI 377A automated DNA sequencer (ABI) and analysed using Genescan v3.01 and Genotyper v2.01 software.

### FKRP mutational analysis

A 1.7 kb fragment containing *FKRP* exon 4 and the entire coding sequence was amplified from genomic DNA using Advantage-GC Genomic Polymerase Mix (Clontech) and primers FKRP-1F (AAAGGGAATTGAGAAAGAGC) and FKRP-5 (GCTCACACAGAGCTTCTCC). PCR products

were separated by agarose gel electrophoresis, purified (Qiagen) and used for direct sequencing. Sequencing reactions were carried out using an ABI Prism BigDye Terminator Cycle Sequencing kit (Applied Biosystems) and reverse primers FKRP-1R (GCAGGAAGGAGTCTACCAG), FKRP-2R (CCGAGAGGTTGAAGAGGT), FKRP-3R (CTCCTCGTAGAGGTAGGC), FKRP-4R (CCTTCTCCCATACGAAGC) and FKRP-5R.

The C826A mutation was further analysed by restriction enzyme analysis. A 900 bp DNA fragment was amplified using primers FKRP 2F (CCGAGAGGTTGAAGAGGT) and FKRP 4R and digested under the manufacturer's conditions with *BfaI* (New England Biolabs). PCR products were separated on 2% agarose gels. Wild-type DNA was cut into two fragments of 500 and 400 bp, whereas products harbouring the mutation, which introduced the loss of this *BfaI* site, remained uncut.

### Immunocytochemistry

Unfixed frozen 8 µm sections were incubated with monoclonal antibodies to β-spectrin, laminin α2, α5, β1, γ1 (Chemicon), V1A4-1 (a monoclonal antibody raised against α-dystroglycan; Upstate Biotechnology), sheep polyclonal raised against α-dystroglycan. All primary antibodies were applied for 1 h and revealed with an appropriate biotinylated secondary antibody (Jackson ImmunoResearch Laboratories) for 30 min, followed by streptavidin conjugated to Alexa 594 (Jackson ImmunoResearch Laboratories) for 15 min. All dilutions and washings were made in phosphate buffered saline. Sections were mounted in aqueous mountant and viewed with epifluorescence using a Leica Aristoplan microscope. Control sections were labelled without primary antibodies, and all sections were compared with control samples from other neuromuscular disorders, and with normal muscle.

### Western blotting

Muscle proteins were extracted in treatment buffer containing 0.125 mol/l Tris-HCL buffer pH 6.4, 10% glycerol, 4% SDS, 4 mol/l urea, 10% mercaptoethanol and 0.001% bromophenol blue (final pH of the treatment buffer was 6.8). Soluble proteins were separated using the Mutiplex System of western blotting and then electrophoretically transferred onto nitrocellulose for 7 h as described previously (18). After blotting, the gels were fixed in 20% trichloroacetic acid and stained in 0.115% Coomassie brilliant blue R250 in 25% ethanol/10% acetic acid and destained in 10% ethanol/10% acetic acid. The density of the myosin heavy-chain band on the dried, post-blotted gel was used to indicate how much muscle protein had been loaded. For visualization of blotted proteins nitrocellulose strips were blocked in 5% milk powder in a pH 8 buffer containing 10 mmol/l Tris-HCL, 0.15mol/l NaCl and 0.05% Tween 20 (TBST). Blots were probed with antibodies to dystrophin [Dy8/6C5, calpain 3, α-sarcoglycan, β-dystroglycan (all available from Novocastra Laboratories) and laminin α2 chain (80 kDa fragment; Chemicon)] and visualized using peroxidase-conjugated anti-mouse secondary antibody followed by exposure to freshly prepared 0.05% diaminobenzidine.



## ACKNOWLEDGEMENTS

The authors wish to thank Stephan Kroger for the gift of the sheep polyclonal antibodies against  $\alpha$ -dystroglycan. The authors also wish to thank Dr Lucy Feng for technical assistance. We wish to acknowledge the Muscular Dystrophy Campaign grant to F.M. and the European Community grant (QLG1 CT 1999 00870) Myo-Cluster GENRE (Genetic Resolution of Congenital Muscular Dystrophy). The Wellcome grant to D.J.B. and the DFG grant (STR498/3-1) to T.V. and V.S. are also gratefully acknowledged. D.J.B. is a Wellcome Trust Senior Fellow and P.P. was supported by a University of Padua Fellowship.

## REFERENCES

- Dubowitz, V. (1995) *Muscle Disorders in Childhood*, 2nd edn. WB Saunders, London.
- Bushby, K.M. (1999) The limb-girdle muscular dystrophies—multiple genes, multiple mechanisms. *Hum. Mol. Genet.*, **8**, 1875–1882.
- Brown, S.C., Muntoni, F. and Sewry, C.A. (2001) Non-sarcolemmal muscular dystrophies. *Brain Pathol.*, **11**, 193–205.
- Mercuri, E. and Muntoni, F. (2001) Congenital muscular dystrophy. In Emery, A. (ed.), *The Muscular Dystrophies*. Oxford University Press, Oxford, UK.
- Tome, F.M., Evangelista, T., Leclerc, A., Sunada, Y., Manole, E., Estournet, B., Barois, A., Campbell, K.P. and Fardeau, M. (1994) Congenital muscular dystrophy with merosin deficiency. *C. R. Acad. Sci. III*, **317**, 351–357.
- Helbling-Leclerc, A., Zhang, X., Topaloglu, H., Cruaud, C., Tesson, F., Weissenbach, J., Tome, F.M., Schwartz, K., Fardeau, M., Tryggvason, K. *et al.* (1995) Mutations in the laminin  $\alpha$ 2-chain gene (LAMA2) cause merosin-deficient congenital muscular dystrophy. *Nat. Genet.*, **11**, 216–218.
- Pegoraro, E., Marks, H., Garcia, C.A., Crawford, T., Mancias, P., Connolly, A.M., Fanin, M., Martinello, F., Trevisan, C.P., Angelini, C. *et al.* (1998) Laminin  $\alpha$ 2 muscular dystrophy: genotype/phenotype studies of 22 patients. *Neurology*, **51**, 101–110.
- Tan, E., Topaloglu, H., Sewry, C., Zorlu, Y., Naom, I., Erdem, S., D'alessandro, M., Muntoni, F. and Dubowitz, V. (1997) Late onset muscular dystrophy with cerebral white matter changes due to partial merosin deficiency. *Neuromuscul. Disord.*, **7**, 85–89.
- Allamand, V., Sunada, Y., Salih, M.A., Straub, V., Ozo, C.O., Al Turaiki, M.H., Akbar, M., Kolo, T., Colognato, H., Zhang, X. *et al.* (1997) Mild congenital muscular dystrophy in two patients with an internally deleted laminin  $\alpha$ 2-chain. *Hum. Mol. Genet.*, **6**, 747–752.
- Naom, I., D'alessandro, M., Sewry, C.A., Philpot, J., Manzur, A.Y., Dubowitz, V. and Muntoni, F. (1998) Laminin  $\alpha$ 2-chain gene mutations in two siblings presenting with limb-girdle muscular dystrophy. *Neuromuscul. Disord.*, **8**, 495–501.
- Naom, I., D'alessandro, M., Sewry, C.A., Jardine, P., Ferlini, A., Moss, T., Dubowitz, V., and Muntoni, F. (2000) Mutations in the laminin  $\alpha$ 2-chain gene in two children with early-onset muscular dystrophy. *Brain*, **123**, 31–41.
- Fukuyama, Y., Osawa, M., and Suzuki, H. (1981) Congenital progressive muscular dystrophy of the Fukuyama type—clinical, genetic and pathological considerations. *Brain Dev.*, **3**, 1–29.
- Kobayashi, K., Nakahori, Y., Miyake, M., Matsumura, K., Kondo-Iida, E., Nomura, Y., Segawa, M., Yoshioka, M., Saito, K., Osawa, M. *et al.* (1998) An ancient retrotransposal insertion causes Fukuyama-type congenital muscular dystrophy. *Nature*, **394**, 388–392.
- Hayashi, Y.K., Ogawa, M., Tagawa, K., Noguchi, S., Ishihara, T., Nonaka, I., and Arahata, K. (2001) Selective deficiency of  $\alpha$ -dystroglycan in Fukuyama-type congenital muscular dystrophy. *Neurology*, **57**, 115–121.
- Brockington, M., Blake, D.J., Prandini, P., Brown, S.C., Torelli, S., Benson, M.A., Ponting, C., Estournet, B., Romero, N.B., Mercuri, E. *et al.* (2001) Mutations in the fukutin-related protein gene (*FKRP*) cause a form of congenital muscular dystrophy with secondary laminin  $\alpha$ 2 deficiency and abnormal glycosylation of  $\alpha$ -dystroglycan. *Am. J. Hum. Genet.*, **69**, 1198–1209.
- Aravind, L. and Koonin, E.V. (1999) The fukutin protein family—predicted enzymes modifying cell-surface molecules. *Curr. Biol.*, **9**, R836–R837.
- Breton, C. and Imberty, A. (1999) Structure/function studies of glycosyltransferases. *Curr. Opin. Struct. Biol.*, **9**, 563–571.
- Driss, A., Amouri, R., Ben Hamida, C., Souilem, S., Goudier-Khouja, N., and Hentati, F. (2000) A new locus for autosomal recessive limb-girdle muscular dystrophy in a large consanguineous Tunisian family maps to chromosome 19q13.3. *Neuromuscul. Disord.*, **10**, 240–246.
- Bushby, K., Anderson, L.V., Pollitt, C., Naom, I., Muntoni, F. and Bindoff, L. (1998) Abnormal merosin in adults. A new form of late onset muscular dystrophy not linked to chromosome 6q2. *Brain*, **121**, 581–588.
- Holt, K.H., Crosbie, R.H., Venzke, D.P. and Campbell, K.P. (2000) Biosynthesis of dystroglycan: processing of a precursor propeptide. *FEBS Lett.*, **18**, 79–83.
- Ibraghimov-Beskrovnaya, O., Ervasti, J.M., Leveille, C.J., Slaughter, C.A., Sernett, S.W. and Campbell, K.P. (1992) Primary structure of dystrophin-associated glycoproteins linking dystrophin to the extracellular matrix. *Nature*, **355**, 696–702.
- Ervasti, J.M. and Campbell, K.P. (1993) A role for the dystrophin–glycoprotein complex as a transmembrane linker between laminin and actin. *J. Cell Biol.*, **122**, 809–823.
- Henry, M.D. and Campbell, K.P. (1999) Dystroglycan inside and out. *Curr. Opin. Cell Biol.*, **11**, 602–607.
- Leschziner, A., Moukhles, H., Lindenbaum, M., Gee, S.H., Butterworth, J., Campbell, K.P. and Carbonetto, S. (2000) Neural regulation of  $\alpha$ -dystroglycan biosynthesis and glycosylation in skeletal muscle. *J. Neurochem.*, **74**, 70–80.
- Grewal, P.K., Holzfeind, P.J., Bittner, R.E. and Hewitt, J.E. (2001) Mutant glycosyltransferase and altered glycosylation of  $\alpha$ -dystroglycan in the myodystrophy mouse. *Nat. Genet.*, **28**, 151–154.

