



**Blair, Carl and Lockerbie, N.A., LSC Instrument Authors (2017) First demonstration of electrostatic damping of parametric instability at advanced LIGO. Physical Review Letters, 118 (15). ISSN 0031-9007 , <http://dx.doi.org/10.1103/PhysRevLett.118.151102>**

This version is available at <https://strathprints.strath.ac.uk/60958/>

**Strathprints** is designed to allow users to access the research output of the University of Strathclyde. Unless otherwise explicitly stated on the manuscript, Copyright © and Moral Rights for the papers on this site are retained by the individual authors and/or other copyright owners. Please check the manuscript for details of any other licences that may have been applied. You may not engage in further distribution of the material for any profitmaking activities or any commercial gain. You may freely distribute both the url (<https://strathprints.strath.ac.uk/>) and the content of this paper for research or private study, educational, or not-for-profit purposes without prior permission or charge.

Any correspondence concerning this service should be sent to the Strathprints administrator: [strathprints@strath.ac.uk](mailto:strathprints@strath.ac.uk)

## First Demonstration of Electrostatic Damping of Parametric Instability at Advanced LIGO

Carl Blair,<sup>1,\*</sup> Slawek Gras,<sup>2</sup> Richard Abbott,<sup>5</sup> Stuart Aston,<sup>3</sup> Joseph Betzwieser,<sup>3</sup> David Blair,<sup>1</sup> Ryan DeRosa,<sup>3</sup>  
Matthew Evans,<sup>2</sup> Valera Frolov,<sup>3</sup> Peter Fritschel,<sup>2</sup> Hartmut Grote,<sup>4</sup> Terra Hardwick,<sup>6</sup> Jian Liu,<sup>1</sup> Marc Lormand,<sup>3</sup>

John Miller,<sup>2</sup> Adam Mullavey,<sup>3</sup> Brian O'Reilly,<sup>3</sup> and Chunnong Zhao<sup>1</sup>

<sup>1</sup>*University of Western Australia, Crawley, Western Australia 6009, Australia*

<sup>2</sup>*Massachusetts Institute of Technology, Cambridge, Massachusetts 02139, USA*

<sup>3</sup>*LIGO Livingston Observatory, Livingston, Louisiana 70754, USA*

<sup>4</sup>*Max Planck Institute for Gravitational Physics, 30167 Hannover, Germany*

<sup>5</sup>*California Institute of Technology, Pasadena 91125, USA*

<sup>6</sup>*Louisiana State University, Baton Rouge, Louisiana 70803, USA*

B. P. Abbott,<sup>7</sup> T. D. Abbott,<sup>8</sup> C. Adams,<sup>9</sup> R. X. Adhikari,<sup>7</sup> S. B. Anderson,<sup>7</sup> A. Ananyeva,<sup>7</sup> S. Appert,<sup>7</sup> K. Arai,<sup>7</sup>  
S. W. Ballmer,<sup>10</sup> D. Barker,<sup>11</sup> B. Barr,<sup>12</sup> L. Barsotti,<sup>13</sup> J. Bartlett,<sup>11</sup> I. Bartos,<sup>14</sup> J. C. Batch,<sup>11</sup> A. S. Bell,<sup>12</sup> G. Billingsley,<sup>7</sup>  
J. Birch,<sup>9</sup> S. Biscans,<sup>7,13</sup> C. Biwer,<sup>10</sup> R. Bork,<sup>7</sup> A. F. Brooks,<sup>7</sup> G. Ciani,<sup>15</sup> F. Clara,<sup>11</sup> S. T. Countryman,<sup>14</sup> M. J. Cowart,<sup>9</sup>  
D. C. Coyne,<sup>7</sup> A. Cumming,<sup>12</sup> L. Cunningham,<sup>12</sup> K. Danzmann,<sup>16,17</sup> C. F. Da Silva Costa,<sup>15</sup> E. J. Daw,<sup>18</sup> D. DeBra,<sup>19</sup>  
R. DeSalvo,<sup>20</sup> K. L. Dooley,<sup>21</sup> S. Doravari,<sup>9</sup> J. C. Driggers,<sup>11</sup> S. E. Dwyer,<sup>11</sup> A. Effler,<sup>9</sup> T. Etzel,<sup>7</sup> T. M. Evans,<sup>9</sup>  
M. Factourovich,<sup>14</sup> H. Fair,<sup>10</sup> A. Fernández Galiana,<sup>13</sup> R. P. Fisher,<sup>10</sup> P. Fulda,<sup>15</sup> M. Fyffe,<sup>9</sup> J. A. Giaime,<sup>8,9</sup> K. D. Giardina,<sup>9</sup>  
E. Goetz,<sup>17</sup> R. Goetz,<sup>15</sup> C. Gray,<sup>11</sup> K. E. Gushwa,<sup>7</sup> E. K. Gustafson,<sup>7</sup> R. Gustafson,<sup>22</sup> E. D. Hall,<sup>7</sup> G. Hammond,<sup>12</sup> J. Hanks,<sup>11</sup>  
J. Hanson,<sup>9</sup> G. M. Harry,<sup>23</sup> M. C. Heintze,<sup>9</sup> A. W. Heptonstall,<sup>7</sup> J. Hough,<sup>12</sup> K. Izumi,<sup>11</sup> R. Jones,<sup>12</sup> S. Kandhasamy,<sup>21</sup>  
S. Karki,<sup>24</sup> M. Kasprzack,<sup>8</sup> S. Kaufer,<sup>16</sup> K. Kawabe,<sup>11</sup> N. Kijbunchoo,<sup>11</sup> E. J. King,<sup>25</sup> P. J. King,<sup>11</sup> J. S. Kissel,<sup>11</sup>  
W. Z. Korth,<sup>7</sup> G. Kuehn,<sup>17</sup> M. Landry,<sup>11</sup> B. Lantz,<sup>19</sup> N. A. Lockerbie,<sup>26</sup> A. P. Lundgren,<sup>17</sup> M. MacInnis,<sup>13</sup> D. M. Macleod,<sup>8</sup>  
S. Márka,<sup>14</sup> Z. Márka,<sup>14</sup> A. S. Markosyan,<sup>19</sup> E. Maros,<sup>7</sup> I. W. Martin,<sup>12</sup> D. V. Martynov,<sup>13</sup> K. Mason,<sup>13</sup> T. J. Massinger,<sup>10</sup>  
F. Matichard,<sup>7,13</sup> N. Mavalvala,<sup>13</sup> R. McCarthy,<sup>11</sup> D. E. McClelland,<sup>27</sup> S. McCormick,<sup>9</sup> G. McIntyre,<sup>7</sup> J. McIver,<sup>7</sup>  
G. Mendell,<sup>11</sup> E. L. Merilh,<sup>11</sup> P. M. Meyers,<sup>28</sup> R. Mittleman,<sup>13</sup> G. Moreno,<sup>11</sup> G. Mueller,<sup>15</sup> J. Munch,<sup>25</sup> L. K. Nuttall,<sup>10</sup>  
J. Oberling,<sup>11</sup> P. Oppermann,<sup>17</sup> Richard J. Oram,<sup>9</sup> D. J. Ottaway,<sup>25</sup> H. Overmier,<sup>9</sup> J. R. Palamos,<sup>24</sup> H. R. Paris,<sup>19</sup> W. Parker,<sup>9</sup>  
A. Pele,<sup>9</sup> S. Penn,<sup>29</sup> M. Phelps,<sup>12</sup> V. Pierro,<sup>20</sup> I. Pinto,<sup>20</sup> M. Principe,<sup>20</sup> L. G. Prokhorov,<sup>30</sup> O. Puncken,<sup>17</sup> V. Quetschke,<sup>31</sup>  
E. A. Quintero,<sup>7</sup> F. J. Raab,<sup>11</sup> H. Radkins,<sup>11</sup> P. Raffai,<sup>32</sup> S. Reid,<sup>33</sup> D. H. Reitze,<sup>7,15</sup> N. A. Robertson,<sup>7,12</sup> J. G. Rollins,<sup>7</sup>  
V. J. Roma,<sup>24</sup> J. H. Romie,<sup>9</sup> S. Rowan,<sup>12</sup> K. Ryan,<sup>11</sup> T. Sadecki,<sup>11</sup> E. J. Sanchez,<sup>7</sup> V. Sandberg,<sup>11</sup> R. L. Savage,<sup>11</sup>  
R. M. S. Schofield,<sup>24</sup> D. Sellers,<sup>9</sup> D. A. Shaddock,<sup>27</sup> T. J. Shaffer,<sup>11</sup> B. Shapiro,<sup>19</sup> P. Shawhan,<sup>34</sup> D. H. Shoemaker,<sup>13</sup>  
D. Sigg,<sup>11</sup> B. J. J. Slagmolen,<sup>27</sup> B. Smith,<sup>9</sup> J. R. Smith,<sup>35</sup> B. Sorazu,<sup>12</sup> A. Staley,<sup>14</sup> K. A. Strain,<sup>12</sup> D. B. Tanner,<sup>15</sup> R. Taylor,<sup>7</sup>  
M. Thomas,<sup>9</sup> P. Thomas,<sup>11</sup> K. A. Thorne,<sup>9</sup> E. Thrane,<sup>36</sup> C. I. Torrie,<sup>7</sup> G. Traylor,<sup>9</sup> G. Vajente,<sup>7</sup> G. Valdes,<sup>31</sup>  
A. A. van Veggel,<sup>12</sup> A. Vecchio,<sup>37</sup> P. J. Veitch,<sup>25</sup> K. Venkateswara,<sup>38</sup> T. Vo,<sup>10</sup> C. Vorvick,<sup>11</sup> M. Walker,<sup>8</sup> R. L. Ward,<sup>27</sup>  
J. Warner,<sup>11</sup> B. Weaver,<sup>11</sup> R. Weiss,<sup>13</sup> P. Weßels,<sup>17</sup> B. Willke,<sup>16,17</sup> C. C. Wipf,<sup>7</sup> J. Worden,<sup>11</sup> G. Wu,<sup>9</sup> H. Yamamoto,<sup>7</sup>  
C. C. Yancey,<sup>34</sup> Hang Yu,<sup>13</sup> Haocun Yu,<sup>13</sup> L. Zhang,<sup>7</sup> M. E. Zucker,<sup>7,13</sup> and J. Zweizig<sup>7</sup>

(LSC Instrument Authors)

<sup>7</sup>*LIGO, California Institute of Technology, Pasadena, California 91125, USA*

<sup>8</sup>*Louisiana State University, Baton Rouge, Louisiana 70803, USA*

<sup>9</sup>*American University, Washington, D.C. 20016, USA*

<sup>10</sup>*University of Florida, Gainesville, Florida 32611, USA*

<sup>11</sup>*LIGO Livingston Observatory, Livingston, Louisiana 70754, USA*

<sup>12</sup>*University of Sannio at Benevento, I-82100 Benevento, Italy and INFN, Sezione di Napoli, I-80100 Napoli, Italy*

<sup>13</sup>*Albert-Einstein-Institut, Max-Planck-Institut für Gravitationsphysik, D-30167 Hannover, Germany*

<sup>14</sup>*LIGO, Massachusetts Institute of Technology, Cambridge, Massachusetts 02139, USA*

<sup>15</sup>*Inter-University Centre for Astronomy and Astrophysics, Pune 411007, India*

<sup>16</sup>*International Centre for Theoretical Sciences, Tata Institute of Fundamental Research, Bangalore 560012, India*

<sup>17</sup>*University of Wisconsin–Milwaukee, Milwaukee, Wisconsin 53201, USA*

<sup>18</sup>*Leibniz Universität Hannover, D-30167 Hannover, Germany*

<sup>19</sup>*Australian National University, Canberra, Australian Capital Territory 0200, Australia*

<sup>20</sup>*The University of Mississippi, University, Mississippi 38677, USA*

<sup>21</sup>*California State University Fullerton, Fullerton, California 92831, USA*

- <sup>22</sup>Chennai Mathematical Institute, Chennai 603103, India  
<sup>23</sup>University of Southampton, Southampton SO17 1BJ, United Kingdom  
<sup>24</sup>Universität Hamburg, D-22761 Hamburg, Germany  
<sup>25</sup>Albert-Einstein-Institut, Max-Planck-Institut für Gravitationsphysik, D-14476 Potsdam-Golm, Germany  
<sup>26</sup>Montana State University, Bozeman, Montana 59717, USA  
<sup>27</sup>Syracuse University, Syracuse, New York 13244, USA  
<sup>28</sup>SUPA, University of Glasgow, Glasgow G12 8QQ, United Kingdom  
<sup>29</sup>LIGO Hanford Observatory, Richland, Washington 99352, USA  
<sup>30</sup>Columbia University, New York, New York 10027, USA  
<sup>31</sup>Stanford University, Stanford, California 94305, USA  
<sup>32</sup>Center for Relativistic Astrophysics and School of Physics, Georgia Institute of Technology, Atlanta, Georgia 30332, USA  
<sup>33</sup>University of Birmingham, Birmingham B15 2TT, United Kingdom  
<sup>34</sup>RRCAT, Indore, Madhya Pradesh 452013, India  
<sup>35</sup>Faculty of Physics, Lomonosov Moscow State University, Moscow 119991, Russia  
<sup>36</sup>SUPA, University of the West of Scotland, Paisley PA1 2BE, United Kingdom  
<sup>37</sup>University of Western Australia, Crawley, Western Australia 6009, Australia  
<sup>38</sup>Washington State University, Pullman, Washington 99164, USA

(Received 28 November 2016; revised manuscript received 12 February 2017; published 11 April 2017)

Interferometric gravitational wave detectors operate with high optical power in their arms in order to achieve high shot-noise limited strain sensitivity. A significant limitation to increasing the optical power is the phenomenon of three-mode parametric instabilities, in which the laser field in the arm cavities is scattered into higher-order optical modes by acoustic modes of the cavity mirrors. The optical modes can further drive the acoustic modes via radiation pressure, potentially producing an exponential buildup. One proposed technique to stabilize parametric instability is active damping of acoustic modes. We report here the first demonstration of damping a parametrically unstable mode using active feedback forces on the cavity mirror. A 15 538 Hz mode that grew exponentially with a time constant of 182 sec was damped using electrostatic actuation, with a resulting decay time constant of 23 sec. An average control force of 0.03 nN was required to maintain the acoustic mode at its minimum amplitude.

DOI: 10.1103/PhysRevLett.118.151102

**Introduction.**—Three-mode parametric instability (PI) has been a known issue for advanced laser interferometer gravitational wave detectors since first recognized by Braginsky *et al.* [1], and modeled in increasing detail [2–6]. This optomechanical instability was first observed in 2009 in microcavities [7], then in 2014 in an 80 m cavity [8] and soon afterwards during the commissioning of Advanced LIGO [9]. Left uncontrolled, PI results in the optical cavity control systems becoming unstable on time scales ranging from tens of minutes to hours [9].

The first detection of gravitational waves was made by two Advanced LIGO laser interferometer gravitational wave detectors with about 100 kW of circulating power in their arm cavities [10]. To achieve this power level required suppression of PI through thermal tuning of the higher-order mode eigenfrequency [2] explained later in this Letter. This tuning allowed the optical power to be increased in Advanced LIGO from about 5% to 12% of the design power, sufficient to attain a strain sensitivity of  $10^{-23}$  Hz<sup>-(1/2)</sup> at 100 Hz.

At the design power (800 kW), it will not be possible to avoid instabilities using thermal tuning alone, for two reasons. First, the parametric gain scales linearly with optical power and, second, the acoustic mode density is

so high that thermal detuning for one acoustic mode brings other modes into resonance [2,9].

Several methods are likely to be useful for controlling PI. Active thermal tuning will minimize the effects of thermal transients [11,12] and maintain operation near the parametric gain minimum. In the future, acoustic mode dampers attached to the test masses [13] could damp acoustic modes. Active damping [14] of acoustic modes can also suppress instabilities by applying feedback forces to the test masses.

In this Letter we report on the control of a PI by actively damping a 15.54 kHz acoustic mode of an Advanced LIGO test mass using electrostatic force actuators.

**Parametric instability.**—The parametric gain  $R_m$ , as derived by Evans *et al.* [4], is given by

$$R_m = \frac{8\pi Q_m P}{M\omega_m^2 c\lambda_0} \sum_{n=1}^{\infty} \text{Re}[G_n] B_{m,n}^2. \quad (1)$$

Here,  $Q_m$  is the quality factor ( $Q$ ) of the mechanical mode  $m$ ,  $P$  is the power in the fundamental optical mode of the cavity,  $M$  is the mass of the test mass,  $c$  is the speed of light,  $\lambda_0$  is the wavelength of light,  $\omega_m$  is the mechanical mode angular frequency,  $G_n$  is the transfer function for an optical field leaving the test mass surface to the field

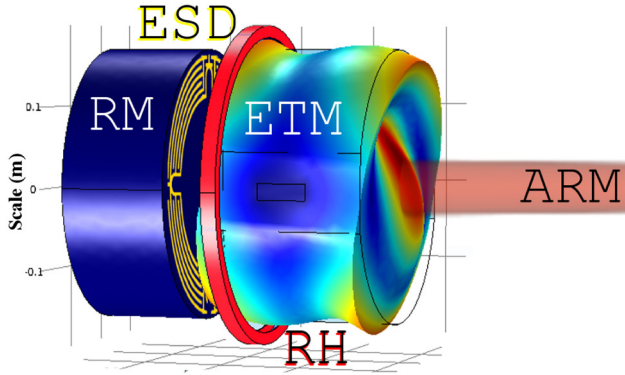


FIG. 1. Schematic of the gold ESD comb on the reaction mass (RM), the ring heater (RH), and the end test mass (ETM) with exaggerated deformation due to the 15 538 Hz mode. The color represents the magnitude of the displacement (red is large, blue is small). The laser power in the arm cavity is depicted in red (ARM). Suspension structures are not shown, while the scale is marked to the left, the distance between the RM and the ETM is exaggerated by a factor of 10.

incident on that same surface, and  $B_{m,n}$  is the spatial overlap between the optical beat note pressure distribution and the mechanical mode surface deformation.

To understand the phenomena, it is instructive to consider the simplified case of a single cavity and a single optical mode. For a simulation analysis including arms and recycling cavities, see Refs. [4,5], and, for an explanation of dynamic effects that may make high parametric gains from the recycling cavities less likely, see Ref. [8]. In the simplified case, we consider the transverse electromagnetic mode  $TEM_{03}$  as it dominates the optical interaction with the acoustic mode investigated here. Equation (2) defines the corresponding optical transfer function

$$\text{Re}[G_{03}] = \frac{c}{L\pi\gamma(1 + \Delta\omega^2/\gamma^2)}. \quad (2)$$

Here,  $\gamma$  is the half width at half maximum of the  $TEM_{03}$  optical mode frequency distribution,  $L$  is the length of the cavity, and  $\Delta\omega$  is the spacing in frequency between the mechanical mode  $\omega_m$  and the beat note of the fundamental and  $TEM_{03}$  optical modes. In general, the parametric gain changes the time constant of the mechanical mode as in Eq. (3):

$$\tau_{PI} = \tau_m / (1 - R_m), \quad (3)$$

where  $\tau_m$  is the natural time constant of the mechanical mode and  $\tau_{PI}$  is the time constant of the mode influenced by the optomechanical interaction. If the parametric gain exceeds unity, the mode becomes unstable. Thermal tuning was used to control PI in Advanced LIGO's observation run 1 and was integral to this experiment, so it will be examined in some detail.

Thermal tuning is achieved using radiative ring heaters that surround the barrel of each test mass without physical contact as in Fig. 1. Applying power to the ring heater decreases the radius of curvature of the mirrors. This changes the cavity  $g$  factor and tunes the mode spacing between the fundamental ( $TEM_{00}$ ) and higher-order transverse electromagnetic ( $TEM_{m,n}$ ) modes in the cavity, thereby tuning the parametric gain by changing  $\Delta\omega$  in Eq. (2).

Figure 2 shows five groups of mechanical modes and the optical transfer function [Eq. (2)] for the  $TEM_{03}$  mode. The ring heater tuning used during Advanced LIGO's first observing run [16] is shown in bold red. Without thermal tuning, the peak in the optical transfer function moves to higher frequency (the dashed red curve), decreasing the

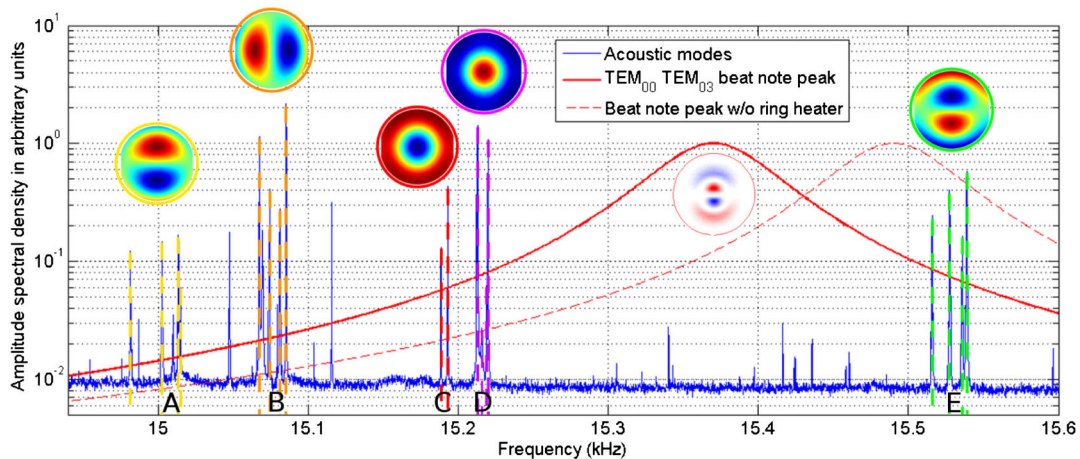


FIG. 2. The relative location of the optical and mechanical modes during Advanced LIGO observation run 1. Mechanical modes measured in transmission of the output mode cleaner shown in blue with mode surface deformation generated from FEM modeling overlay. These modes appear in groups of four, one for each test mass. They have linewidths  $\sim 1$  mHz. The optical transfer function for a simplified single cavity is shown in bold red with the ring heater on and turned off in dashed red. The shape of the  $TEM_{03}$  mode simulated with OSCAR [15] is inset below the peak.

frequency spacing  $\Delta\omega$  with mechanical mode group  $E$ . This leads to the instability of this group of modes. (Note that the mirror acoustic mode frequencies are only weakly tuned by heater power, due to the small value of the fused silica temperature dependence of Young's modulus.)

If the ring heater power is increased, inducing an approximately 5 m change in radius of curvature, the optical transfer function peak in Fig. 2 moves left about 400 Hz, decreasing the value  $\Delta\omega$  for mode group  $A$ , resulting in their instability. The mode groups  $C$  and  $D$  are stable as the second and fourth order optical modes that might be excited from these modes are far from resonance. Mode group  $B$  is also stable at the circulating optical power used in this experiment, presumably due to either a lower quality factor  $Q_m$  or a lower optical gain  $G_{30}$  of the  $TEM_{30}$  mode, as investigated in Ref. [17]. Extrapolating from Eq. (2) and the observed parametric gain, increasing the interferometer power by a factor of 3 results in no stable regions. Mode group  $A$  at 15.00 kHz and group  $E$  at 15.54 kHz will be unstable simultaneously.

**Electrostatic control.**—Electrostatic control of PI was proposed [18] and studied in the context of the LIGO electrostatic control combs by Miller *et al.* [14]. Here, we report studies of electrostatic feedback damping for the group  $E$  modes at 15.54 kHz.

The main purpose of the electrostatic drive (ESD) is to provide longitudinal actuation on the test masses for lock acquisition [19] and holding the arm cavities on resonance. It creates a force between the test masses and their counterpart reaction masses, through the interaction of the fused silica test masses with the electric fields generated by a comb of gold conductors that are deposited on the reaction mass. The physical locations of these components are depicted in Fig. 1. Detail of the gold comb is shown in Fig. 3, along with the force density on the test mass.

The force applied to the test mass  $F_{\text{ESD}}$  is dominated by the dipole attraction of the test mass dielectric to the electric field between the electrodes of the gold comb.  $F_{\text{app},m}$  is the fraction  $b_m$  of this force that couples to the acoustic mode:

$$F_{\text{app},m} = b_m F_{\text{ESD},Q} = b_m \alpha_Q \times \frac{1}{2} (V_{\text{bias}} - V_Q)^2. \quad (4)$$

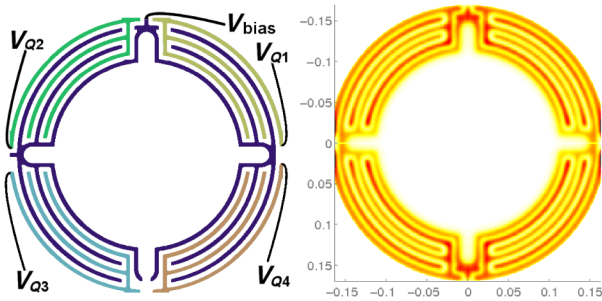


FIG. 3. The ESD comb pattern printed on the reaction mass (left panel) and the force distribution on the test mass (right panel) with the same voltage on all quadrants.

Here,  $\alpha_Q$  is the force coefficient for a single quadrant resulting in a force  $F_{\text{ESD},Q}$ , while  $V_{\text{bias}}$  and  $V_{Q(1-4)}$  are the voltages of the ESD electrodes defined in Fig. 3. The overlap  $b_m$  between the ESD force distribution  $\vec{f}_{\text{ESD},Q}$  and the displacement  $\vec{u}_m$  of the surface for a particular acoustic mode  $m$  can be approximated as a surface integral derived by Miller *et al.* [14]:

$$b_m \approx \left| \iint_S \vec{f}_{\text{ESD},Q} \cdot (\vec{u}_m \cdot \hat{z}) dS \right|. \quad (5)$$

If a feedback system is created that senses the mode amplitude and provides a viscous damping force using the ESD, the resulting time constant of the mode  $\tau_{\text{ESD}}$  is given by

$$\tau_{\text{ESD}} = \left( \frac{1}{\tau_m} + \frac{K_m}{2\mu_m} \right)^{-1}. \quad (6)$$

Here,  $K_m$  is the gain applied between the velocity measurement and the ESD actuation force on a mode with a time constant  $\tau_m$  and an effective mass  $\mu_m$ . Reducing the effective time constant lowers the effective parametric gain:

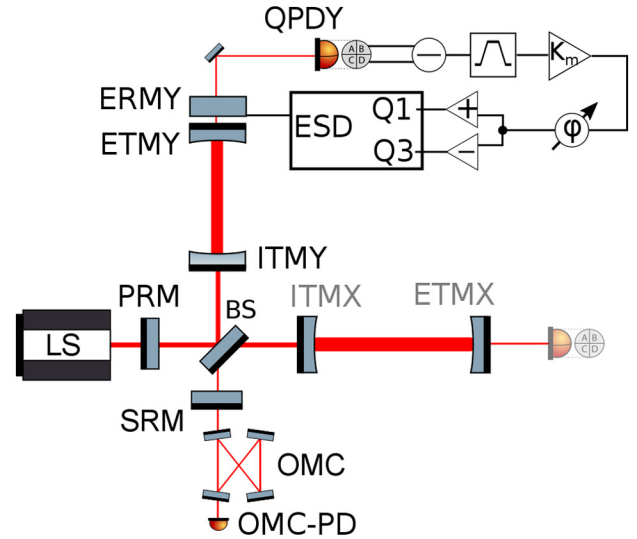


FIG. 4. A simplified schematic of Advanced LIGO showing key components for damping PI in the ETMY. Components shown include input (ITM) and end test masses (ETM), beam splitter (BS), power (PRM) and signal recycling mirrors (SRM), the laser source (LS), quadrant photodetectors, the output mode cleaner (OMC), the OMC transmission photodetector (OMC-PD). While four reaction masses exist, only the  $Y$  end reaction mass (ERMY) is shown with key components of the damping loop. These components generate a signal from the vertically orientated differential signal from the quadrant photodetector in transmission of ETMY (QPDY), filter the signal with a 10 Hz wide bandpass centered on 15 538 Hz, apply a gain  $K_m$  and a phase  $\phi$  (digitally controlled), then differentially drive the upper right  $Q1$  and lower left  $Q3$  ESD quadrants.

TABLE I. Cavity and control parameters.

Symbol	Value	Description
$Q_m$	$12 \times 10^6$	$Q$ factor of 15 538 Hz mode
$P$	100 kW	power contained in arm cavity
$\omega_m/2\pi$	15 538 Hz	frequency of unstable mode
$M$	40 kg	mass of test mass
$b_m$	0.17	effective mass scaled ESD overlap factor for 15 538 Hz mode
$\lambda_0$	1064 nm	laser wavelength
$\alpha_Q$	$4.8 \times 10^{-11}$ $N/V^2$	ESD quadrant force coefficient
$L$	4 km	Arm cavity length
$V_{\text{bias}}$	400 V	Bias voltage on ESD
$V_Q$	$[-20, 20]$ V	ESD control voltage range

$$R_{\text{eff}} = R_m \times \frac{\tau_{\text{ESD}}}{\tau_m}. \quad (7)$$

The force required  $F_{\text{req}}$  to reduce a parametric gain  $R_m$  to an effective parametric gain  $R_{\text{eff}}$  when the mode amplitude is the thermally excited amplitude was used by Miller *et al.* [14] to predict the forces required from the ESD for damping PI:

$$F_{\text{req}} = \frac{x_m \mu_m \omega_m^2}{b_m} \left( \frac{R_m - R_{\text{eff}}}{Q_m R_{\text{eff}}} \right), \quad (8)$$

at the thermally excited amplitude  $x_m = \sqrt{k_B T / \mu_m \omega_m^2}$ , where  $k_B$  is the Boltzmann constant and  $T$  the temperature.

*Feedback loop.*—Figure 4 shows the damping feedback loop implemented on the end test mass of the  $Y$  arm (ETMY). The error signal used for mode damping is constructed from a quadrant photodetector (QPD) that receives light transmitted by the ETMY. By suitably combining QPD elements, we measure the beat signal between the cavity TEM<sub>00</sub> mode and the TEM<sub>03</sub> mode that is being excited by the 15 538 Hz ETMY acoustic mode. This signal is bandpass filtered at 15 538 Hz, then phase shifted to produce a control signal that is 90° out of phase with the mode amplitude (velocity damping). The damping force is applied, with adjustable gain, to two quadrants of the ETMY electrostatic actuator. Table I summarizes the control and cavity parameters.

*Results.*—PI stabilization via active damping was demonstrated by first inducing the ETMY 15 538 Hz to become parametrically unstable. This was achieved by turning off the ring heater tuning so that the TEM<sub>03</sub> mode optical gain curve better overlapped this acoustic mode, as shown in Fig. 2. When the mode became significantly elevated in the QPD signal, the damping loop was closed with a control gain to achieve a clear damping of the mode amplitude and a control phase optimized to  $\pm 15$  degrees of viscous damping. The mode amplitude was monitored using the photodetector at the main output of the interferometer

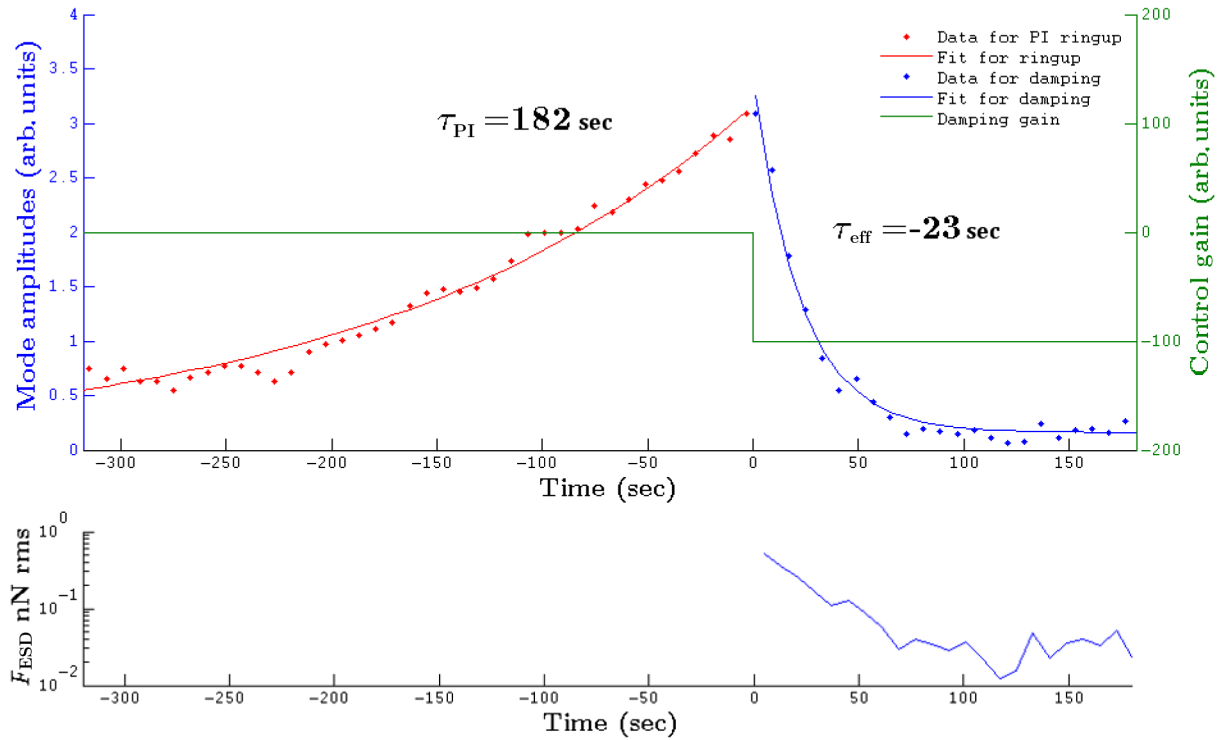


FIG. 5. Damping of parametric instability. (Upper panel) The 15 538 Hz ETMY mode is unstable, ringing up with a time constant of  $182 \pm 9$  sec and an estimated parametric gain of  $R_m = 2.4$ . Then, at 0 sec, control gain is applied, resulting in an exponential decay with a time constant of  $23 \pm 1$  sec and an effective parametric gain  $R_{\text{eff},m} = 0.18$ . (Lower panel) The control force over the same period.

(labeled OMC-PD in Fig. 4), as it was found to provide a higher signal-to-noise ratio than the QPD.

The results are shown in Fig. 5, which plots the mode amplitude during the unstable ringup phase with the time constant  $\tau_{PI} = 182$  sec, followed by the ringdown time constant  $\tau_{eff}$  due to an optical gain and damping of  $-23$  sec. From the ringup, we estimate the parametric gain to be  $2.4 \pm 0.8$  from Eq. (3). With the damping applied,

$$R_{eff} = \frac{R_m \tau_{eff}}{\tau_m + R_m \tau_{eff}}, \quad (9)$$

the effective parametric gain is reduced to a stable value of  $R_{eff} = 0.18 \pm 0.06$ . The uncertainty is primarily due to the uncertainty in the estimate of  $\tau_m$ , which was obtained by the method described in Ref. [9].

At the onset of active damping (time  $t = 0$  in Fig. 5), the feedback control signal produces an estimated force of  $F_{ESD} = 0.62$  nN rms (at 15 538 Hz). As the mode amplitude decreased, the control force dropped to a steady state value of 0.03 nN rms. Over a 20 min period in this damped state, the peak control force was 0.11 nN.

*Discussion.*—The force required to damp the 15 538 Hz mode when Advanced LIGO reaches design power can be determined from the ESD force used to achieve the observed parametric gain suppression presented here, combined with the expected parametric gain when operated at high power:

$$\frac{F_{req}}{F_{ESD}} = \frac{R_{eff}}{R_{req}} \frac{R_{max} - R_{req}}{R_m - R_{eff}}. \quad (10)$$

The maximum parametric gain  $R_{max}$  where  $\Delta\omega = 0$  is calculated using Eq. (2). For the 15 538 Hz mode, the detuning is  $\Delta\omega \approx 50$  Hz with zero ring heater power, so  $R_{max} \approx 7$  for the power level of these experiments. At full design power, the maximum gain will be  $R_{max} \approx 56$ . To obtain a quantitative result, we set a requirement for damping such that the effective parametric gain of unstable acoustic modes after damping will be  $R_{req} = 0.1$ .

Using Eq. (10), the measurements of  $R_m$  and  $R_{eff}$ , the maximum force required to maintain the damped state at high power is  $F_{ESD} = 1.5$  nN rms. Prior to this investigation, Miller *et al.* predicted [14] that a control force of approximately 10 nN rms would be required to maintain this mode at the thermally excited level.

The PI control system must cope with elevated mode amplitudes, as the PI mode may build up before PI control can be engaged. There is, therefore, a requirement for some safety factor (available voltage/drive voltage in a damped state) such that the control system will not saturate. A safety factor of at least 10 would be prudent. The average ESD drive voltage  $V_{Q1} = -V_{Q3}$  over the duration that the mode was in the damped state was 0.42 mV rms; however, during

this time it peaked at  $\pm 1.4$  mV out of a  $\pm 20$  V control range, leading to a safety factor of more than 10 000. At high power the safety factor will be reduced by the required force ratio of Eq. (10), resulting in an expected safety factor of 310.

As the laser power is increased, other modes are likely to become unstable. The parametric gain of these modes should be less than the gain of mode group *E*, provided that the optical transfer function used in these experiments is maintained. However, these modes may also have a lower spatial overlap  $b_m$  with the ESD. Miller *et al.*'s simulation [14] shows that some modes in the 30–90 kHz range will require up to 30 times the control force  $F_{ESD}$  required to damp the group *E* modes. Even in this situation, the PI safety factor is approximately 10.

Coupling of the PI control forces presented here to noise in the main interferometer output were insignificant. A detailed investigation will be required when commissioning the complete parametric instability control system.

*Conclusion.*—We have shown for the first time the electrostatic control of parametric instability. An unstable acoustic mode at 15 538 Hz with a parametric gain of  $2.4 \pm 0.8$  was successfully damped to a gain of  $0.18 \pm 0.06$  using electrostatic control forces. The damping force required to keep the mode in the damped state was 0.03 nN rms. The prediction through a finite element method (FEM) simulation was that the ESD would need to apply approximately 6 times this control force to maintain the mode amplitude at the thermally excited level. At high power it is estimated that damping the 15.54 kHz mode group to an effective parametric gain of 0.1 will result in a safety factor  $\approx 310$ . It is predicted that the unstable modes that are the most problematic to damp will still have a safety factor of 10.

The authors acknowledge the entire LIGO Scientific Collaboration for their wide ranging expertise and contributions. LIGO was constructed by the California Institute of Technology and Massachusetts Institute of Technology with funding from the National Science Foundation, and it operates under Cooperative Agreement No. PHY-0757058. Advanced LIGO was built under Grant No. PHY-0823459. C. B. was supported by the Australian Research Council and the LSC fellows program.

---

\* carl.blair@uwa.edu.au

- [1] V. Braginsky, S. Strigin, and S. Vyatchanin, *Phys. Lett. A* **287**, 331 (2001).
- [2] C. Zhao, L. Ju, J. Degallaix, S. Gras, and D. G. Blair, *Phys. Rev. Lett.* **94**, 121102 (2005).
- [3] S. Strigin and S. Vyatchanin, *Phys. Lett. A* **365**, 10 (2007).
- [4] M. Evans, L. Barsotti, and P. Fritschel, *Phys. Lett. A* **374**, 665 (2010).
- [5] S. Gras, C. Zhao, D. G. Blair, and L. Ju, *Classical Quantum Gravity* **27**, 205019 (2010).

- [6] S. P. Vyatchanin and S. E. Strigin, *Phys. Usp.* **55**, 1115 (2012).
- [7] M. Tomes and T. Carmon, *Phys. Rev. Lett.* **102**, 113601 (2009).
- [8] C. Zhao, L. Ju, Q. Fang, C. Blair, J. Qin, D. Blair, J. Degallaix, and H. Yamamoto, *Phys. Rev. D* **91**, 092001 (2015).
- [9] M. Evans *et al.*, *Phys. Rev. Lett.* **114**, 161102 (2015).
- [10] B. P. Abbott *et al.* (LIGO Scientific and Virgo Collaborations), *Phys. Rev. Lett.* **116**, 061102 (2016).
- [11] Y. Fan, C. Zhao, J. Degallaix, L. Ju, D. G. Blair, B. J. J. Slagmolen, D. J. Hosken, A. F. Brooks, P. J. Veitch, and J. Munch, *Rev. Sci. Instrum.* **79**, 104501 (2008).
- [12] J. Ramette, M. Kasprzack, A. Brooks, C. Blair, H. Wang, and M. Heintze, *Appl. Opt.* **55**, 2619 (2016).
- [13] S. Gras, P. Fritschel, L. Barsotti, and M. Evans, *Phys. Rev. D* **92**, 082001 (2015).
- [14] J. Miller, M. Evans, L. Barsotti, P. Fritschel, M. MacInnis, R. Mittleman, B. Shapiro, J. Soto, and C. Torrie, *Phys. Lett. A* **375**, 788 (2011).
- [15] J. Degallaix, *J. Phys. Conf. Ser.* **228**, 012021 (2010).
- [16] B. P. Abbott *et al.* (LIGO Scientific and Virgo Collaborations), *Phys. Rev. Lett.* **116**, 131103 (2016).
- [17] P. Barriga, B. Bhawal, L. Ju, and D. G. Blair, *J. Opt. Soc. Am. A* **24**, 1731 (2007).
- [18] L. Ju, D. G. Blair, C. Zhao, S. Gras, Z. Zhang, P. Barriga, H. Miao, Y. Fan, and L. Merrill, *Classical Quantum Gravity* **26**, 015002 (2009).
- [19] O. Miyakawa, R. Ward, R. Adhikari, B. Abbott, R. Bork, D. Busby, M. Evans, H. Grote, J. Heefner, A. Ivanov, S. Kawamura, F. Kawazoe, S. Sakata, M. Smith, R. Taylor, M. Varvella, S. Vass, and A. Weinstein, *J. Phys. Conf. Ser.* **32**, 265 (2006).