

Metallurgical Properties and Phase Transformations of Barium-Strontium Modifier

M A Platonov^{1, a}, I S Sulimova^{2, b}, I D Rozhikhina^{3, c}, V I Dmitrienko^{4, c}, G V Horoshun⁵

^{1,2,5}National Research Tomsk Polytechnic University, Yurga Technological Institute branch of Tomsk Polytechnic University 652050, Kemerovo region

^{3,4}Siberian State Industrial University, Novokuznetsk, Russia

E-mail: ^a maxrauber@mail.ru, ^b siris78@mail.ru, ^c kafamsf@sibsiu.ru

Abstract. Metallurgical properties and phase transformations of barium-strontium modifier were tested in laboratory conditions resembling steel processing in furnace and ladle. When heating barium-strontium modifier start of melting, kinetics of decomposition, phase and structure transformation were studied. The concentrate under consideration has been revealed to be a complex mineral compound containing barytocalcite, calcite, calciostrontianite, dolomite and siderite. The reaction kinetics of decomposing mineral components of barium-strontium modifier to oxides does not considerably affect slag formation in conditions of out-of-furnace steel processing.

Introduction

Barium-strontium modifier BSC-2 is used in metallurgical production. To develop efficient technologies of its application detailed investigation into the processes taking place when introducing modifier into steel is required.

Chemical composition of barium-strontium modifier BSC-2, %: 16.0 BaO; 5.5 SrO; 21.5 CaO; 24.8 SiO₂; 0.9 MgO; 3.0 K₂O; 1.5 Na₂O; 4.0 Fe₂O₃; 0.2 MnO; 2.9 Al₂O₃; 0.9 TiO₂; 18.0 CO₂ (Technical Conditions 1717-001-75073896).

The research into mineral composition of barium-strontium modifier and integrated investigations of phase transformations provide means of obtaining data on nature and special features of modifier mineral formation, as well as change in the structure of raw materials under heating.

X-ray phase analysis at temperature $T = 293$ K (figure 1) has revealed core compounds barium-strontium modifier consists of are barytocalcite BaCa(CO₃)₂, calcite CaCO₃, calciostrontianite CaSr(CO₃)₂, dolomite MgCO₃ and siderite FeCO₃ impurities.

Differential thermal analysis implemented by means of thermal gravimetric method was applied to study phase and structure transformations occurring in ore mineral components of barium-strontium modifier under heating.



1.a To whom any correspondence should be addressed.

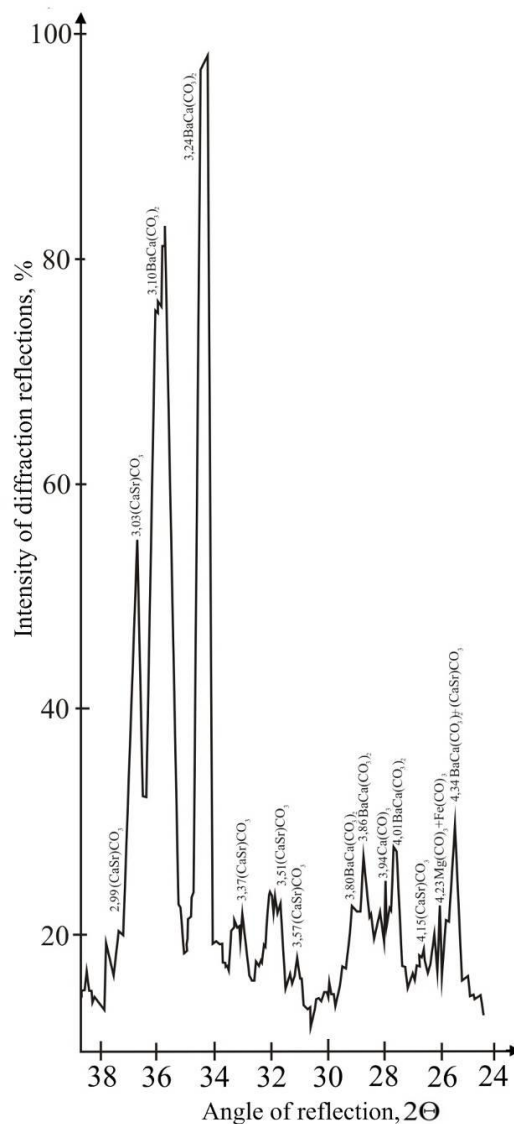


Figure 1. Fragment of barium-strontium modifier X-ray diffraction pattern.

The sample was heated up to 1223 K at rate 10 degree a minute. Survey mode: DTA = 1/5; DTG = 1/10, Pmass = 500 mg. Table 1 presents the results of differential thermal analysis of barium-strontium modifier.

Table 1. Results of differential thermal analysis of barium-strontium modifier

T, K	Phase composition
381	Phase transformations in impurities
568	Phase transformations in impurities
743	Phase transformations in impurities
913	Phase transformations in impurities
1018	Dolomite dissociation
1173	Calcite dissociation
1223	Barytocalcite and calciostrotrianite dissociation

Figure 2 displays results obtained in the course of differential thermal analysis of barium-strontium modifier thermogram.

Thermo gravimetric analysis of the modifier identified adsorbed water removal when heating up to 381 K. Further heating up to 381 – 913 K conditions phase transformations in impurities. Within temperature interval 913 – 1018 K dolomite dissociation resulting in MgO formation takes place. Further heating up to 1018 – 1223 K causes dissociation of calcite, barytocalcite, and calciostrontianite, alongside with mass loss 11.57 %.

Carried out investigations show barium-strontium modifier is a complex mineral compound containing barytocalcite, calcite, calciostrontianite, dolomite and siderite. Differential thermal analysis determined the sequence of phase transformations, arising in ore mineral components of barium-strontium modifier under heating.

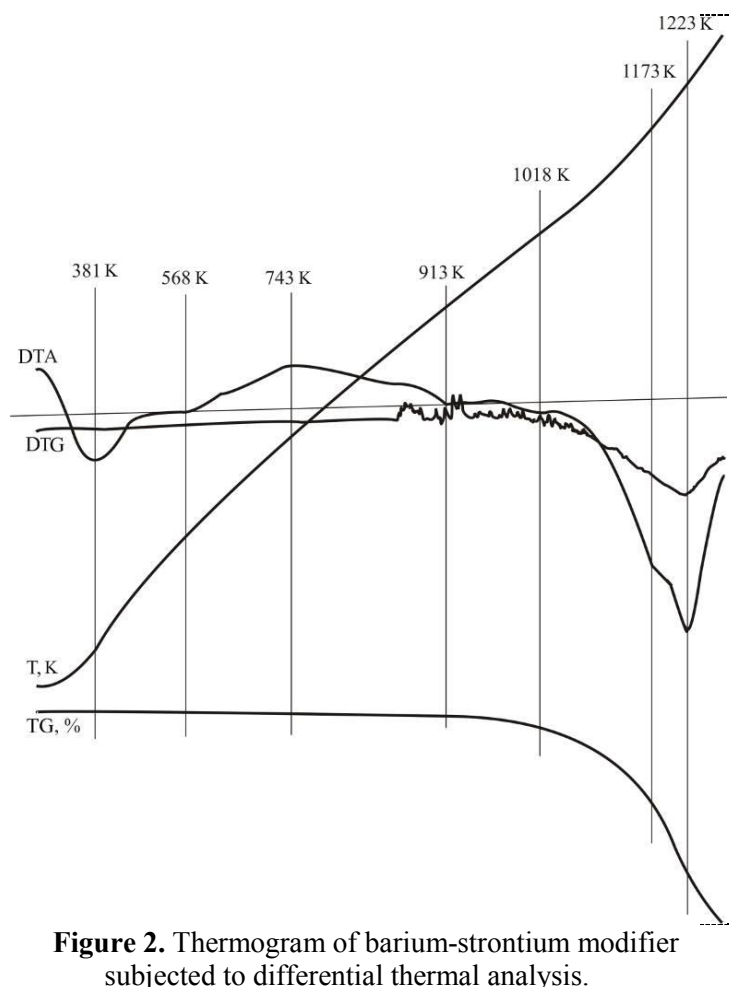
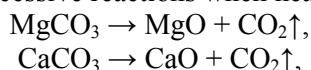
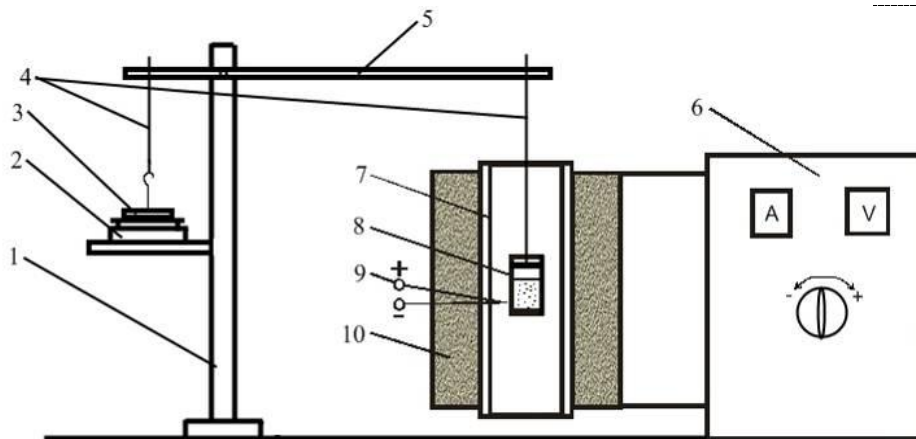
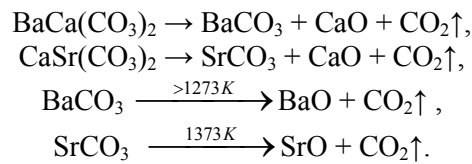


Figure 2. Thermogram of barium-strontium modifier subjected to differential thermal analysis.

The kinetics of modifier decomposition was tested to determine the influence of barium-strontium modifier on properties of forming slag. The kinetics of decomposition was studied gravimetrically at temperatures 1673 and 1773 K according to mass decrease of 20 g modifier sample, particle dimensions 0.01 – 0.1 mm. Mass decrease was registered every minute. The layout of the appliance is shown in figure 3.

Differential thermal analysis and investigations into kinetics of barium-strontium modifier decomposition (figure 4) pointed at successive reactions when heating barium-strontium modifier:





1 – support; 2 – electronic balance; 3 – counterweight; 4 – hanger;
5 – rocker; 6 – power transformer with furnace control unit; 7 – heater; 8 – alumina crucible
in graphitic cup containing barium-strontium modifier sample; 9 – thermocouple;
10 – resistance furnace with coal heater

Figure 3. Layout of experimental appliance.

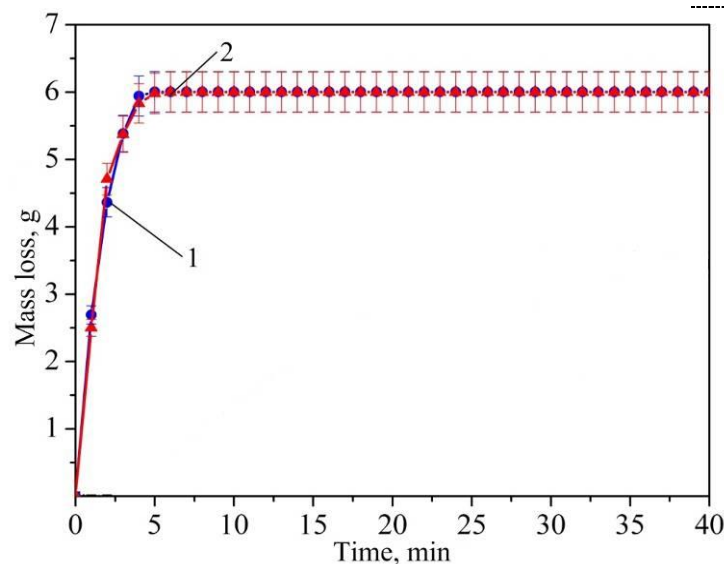


Figure 4. Dissociation kinetics of barium-strontium modifier
at temperatures 1673 K (1) and 1773 K (2).

Therefore, temperature increase up to 1673 and 1773 K, reaction rate of decomposing mineral components of barium-strontium modifier to oxides do not affect slag formation in conditions of out-of-furnace steel processing.

Resistance furnace with platinum heater was used to specify the start of barium-strontium modifier melting. The layout of the furnace is displayed in figure 5.

When heating a platinum plate behavior of barium-strontium modifier placed on a hot junction was observed visually by a binocular microscope with 30 – 50 fold magnification in the reflected light.

To specify the start of melting a sample of barium-strontium modifier was grinded in the mortar so grains 0.01 – 0.1 mm were obtained, then 5 – 7 grains of matter under consideration were placed under a hot junction. The furnace heating rate up to temperature 1473 – 1573 K was 100 – 150 degree a second, then 20 – 30 degree a second, about the temperature of melting – 3 – 5 degree a second. The first attempt to determine melting temperature of barium-strontium modifier is an approximate one, used to define temperature boundaries of the experiment.

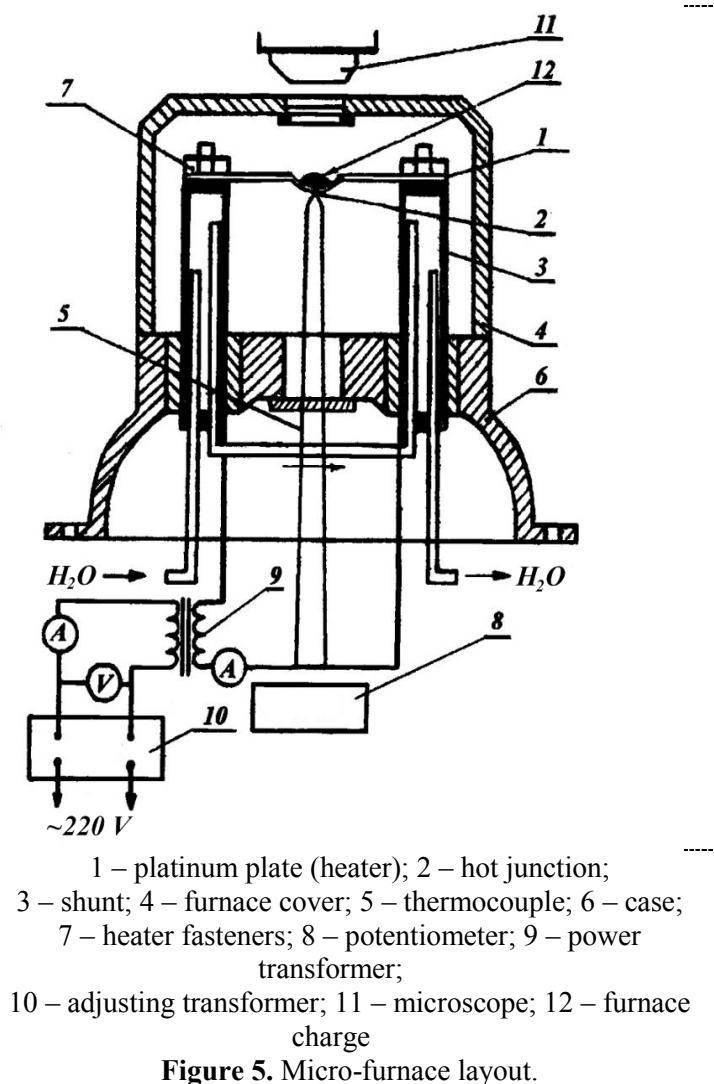


Figure 5. Micro-furnace layout.

The temperature when sharp edges of barium-strontium modifier particles fuse was considered the start of melting. Starts of barium-strontium modifier melting are 1641 – 1655 K according to the results of carried out experiments represented in table 2.

Table 2. Starts of melting of barium-strontium modifier

№ experiment	Start of melting, K	
	Barium-strontium modifier	Slag mixture
1	1653	1640
2	1641	1645
3	1655	1651
4	1653	1653
5	1645	1644
6	1653	1655
7	1653	1648
8	1644	1643
9	1653	1655
10	1653	1642

Mixture containing modifier (15 %) and lime (85 %) was melted at temperature 1873 K to find out the influence of barium-strontium modifier on properties of slag formed when processing steel in resistance furnace with coal tube heater. After the sample had been cooled down, melting temperatures of a slag mixture were tested according to the described above procedure. The results of carried out experiments demonstrated (table 2) starts of melting of a slag mixture are similar to those of barium-strontium modifier and are equal to 1640 – 1655 K.

Conclusions

The tests of material composition revealed the concentrate under consideration to be a complex mineral compound containing barytocalcite, calcite, calciostrotonite, dolomite and siderite. The reaction kinetics of decomposing mineral components of barium-strontium modifier to oxides does not considerably affect slag formation in conditions of out-of-furnace steel processing. Starts of melting are 1641 – 1655 K for barium-strontium modifier; 1640 – 1654 K for slag mixture containing the modifier (15 %) and lime (85 %).

References

- [1] S S Chernyak High-Manganese Steel for Dredge in the construction State University Publishing Irkutsk (1996)
- [2] V P Ivanova Thermal analysis of minerals and rocks Depths (1974) 399
- [3] D M Heyker X-ray diffractometry State Publishing of Physical and Mathematical Literature (1963) 380
- [4] L M Kovba X-ray phase analysis Moscow University Press (1976) 232
- [5] Ya S Umansky Roentgenography of metals Metallurgy (1976) 235
- [6] P Paulik Certificate of derivatographic system Theoretical fundamentals Budapest: Hungarian optical factory (1974) 146
- [7] L G Berg Introduction into thermography Science (1969) 395
- [8] R A Gizatulin, D V Valuev, A V Valueva, C V Edesheva Melting of corrosion-resisting steels using air in bath agitation at the end of oxygen blowing J IOP Conference Series Materials Science and Engineering **66** (2014) 1-4
- [9] G V Galevsky Rudneva, V V Garbuzova, A K Valuev, D V Titanium carbide: nanotechnology, properties, application J IOP Conference Series: Materials Science and Engineering **91** (2015) 1-7
- [10] R A Gizatulin, D V Valuev, A V Valueva, A Serikbol, I F Borovikov Optimizing technological parameters of the reduction processes in treating steels in a ladle furnace J IOP Conference Series: Materials Science and Engineering **91** (2015) 1-7