



## **Genetic and Functional Studies Provide Insights into the Aetiologies of Familial Combined Hyperlipidemia**

Speedy, Helen Elizabeth

The copyright of this thesis rests with the author and no quotation from it or information derived from it may be published without the prior written consent of the author

For additional information about this publication click this link.

<http://qmro.qmul.ac.uk/jspui/handle/123456789/8824>

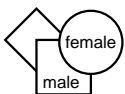
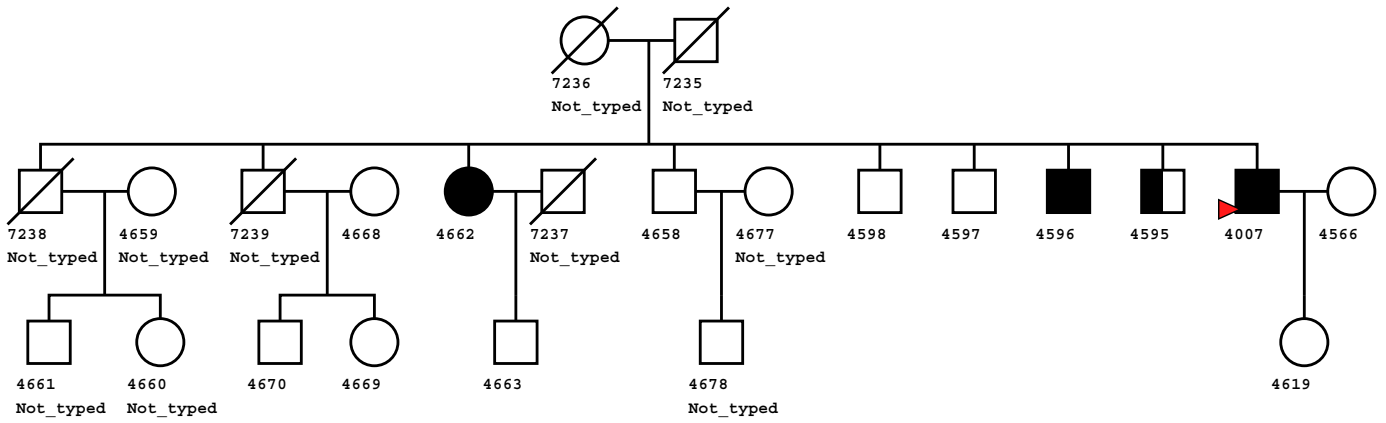
Information about this research object was correct at the time of download; we occasionally make corrections to records, please therefore check the published record when citing. For more information contact [scholarlycommunications@qmul.ac.uk](mailto:scholarlycommunications@qmul.ac.uk)

# CraneFoot 3.2.1

Version date Dec 6 2006

Created Jun 05 2012  
Pedigree name FCHL\_families\_Linkage2  
Pedigree file FCHL\_families\_Linkage2.ps  
Num of families 182 / 182  
Num of individuals 2132 / 2132

001	1	065	57	138	113	208	169
002	2	066	58	139	114	210	170
004	3	067	59	140	115	213	171
005	4	068	60	141	116	215	172
006	5	069	61	143	117	216	173
007	6	073	62	144	118	217	174
009	7	075	63	145	119	222	175
010	8	077	64	146	120	223	176
011	9	078	65	147	121	227	177
012	10	079	66	148	122	242	178
013	11	080	67	152	123	243	179
015	12	081	68	153	124	244	180
016	13	082	69	154	125	245	181
017	14	083	70	155	126	246	182
018	15	085	71	156	127		
019	16	086	72	157	128		
021	17	087	73	158	129		
022	18	088	74	159	130		
024	19	089	75	160	131		
025	20	090	76	162	132		
026	21	091	77	164	133		
027	22	092	78	165	134		
028	23	093	79	166	135		
029	24	094	80	168	136		
030	25	095	81	170	137		
031	26	096	82	171	138		
033	27	097	83	172	139		
034	28	098	84	173	140		
035	29	099	85	174	141		
036	30	100	86	175	142		
037	31	101	87	176	143		
038	32	103	88	178	144		
039	33	104	89	179	145		
040	34	105	90	180	146		
041	35	106	91	181	147		
042	36	107	92	183	148		
043	37	108	93	184	149		
044	38	109	94	185	150		
045	39	110	95	186	151		
046	40	113	96	187	152		
047	41	114	97	188	153		
048	42	116	98	189	154		
049	43	117	99	190	155		
050	44	118	100	191	156		
051	45	119	101	192	157		
052	46	120	102	195	158		
053	47	121	103	197	159		
054	48	124	104	198	160		
056	49	127	105	199	161		
057	50	128	106	200	162		
059	51	129	107	201	163		
060	52	130	108	203	164		
061	53	131	109	204	165		
062	54	132	110	205	166		
063	55	134	111	206	167		
064	56	137	112	207	168		



PAT  
TYPED

DEAD

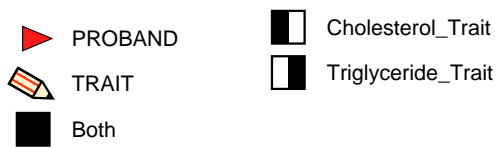
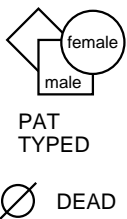
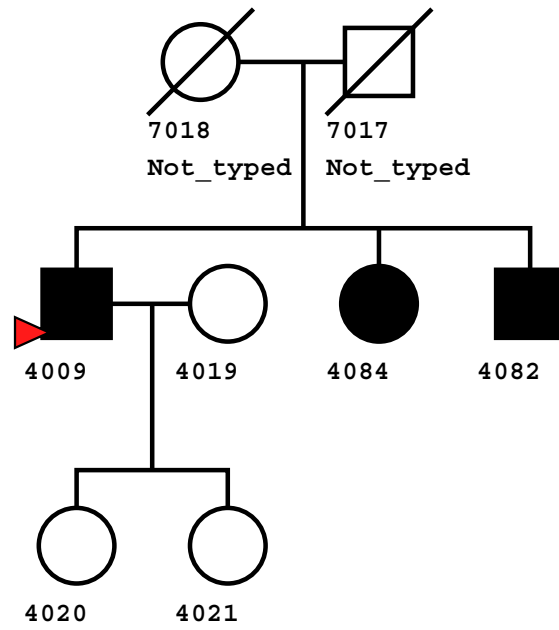
PROBAND

TRAIT

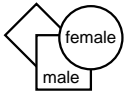
Both

Cholesterol\_Trait

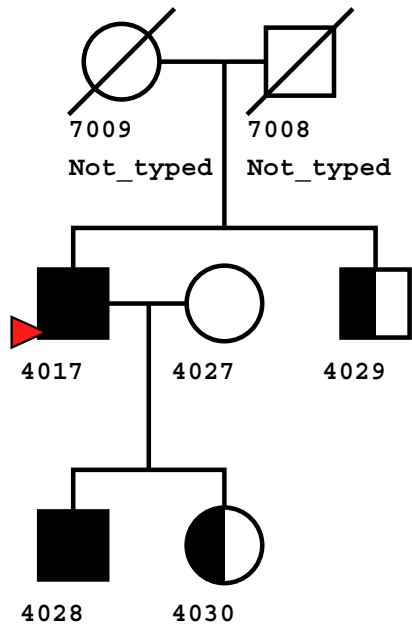
Triglyceride\_Trait

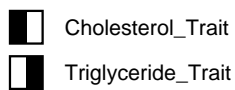
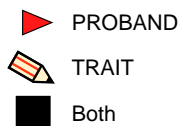
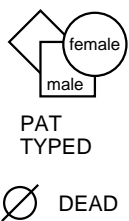
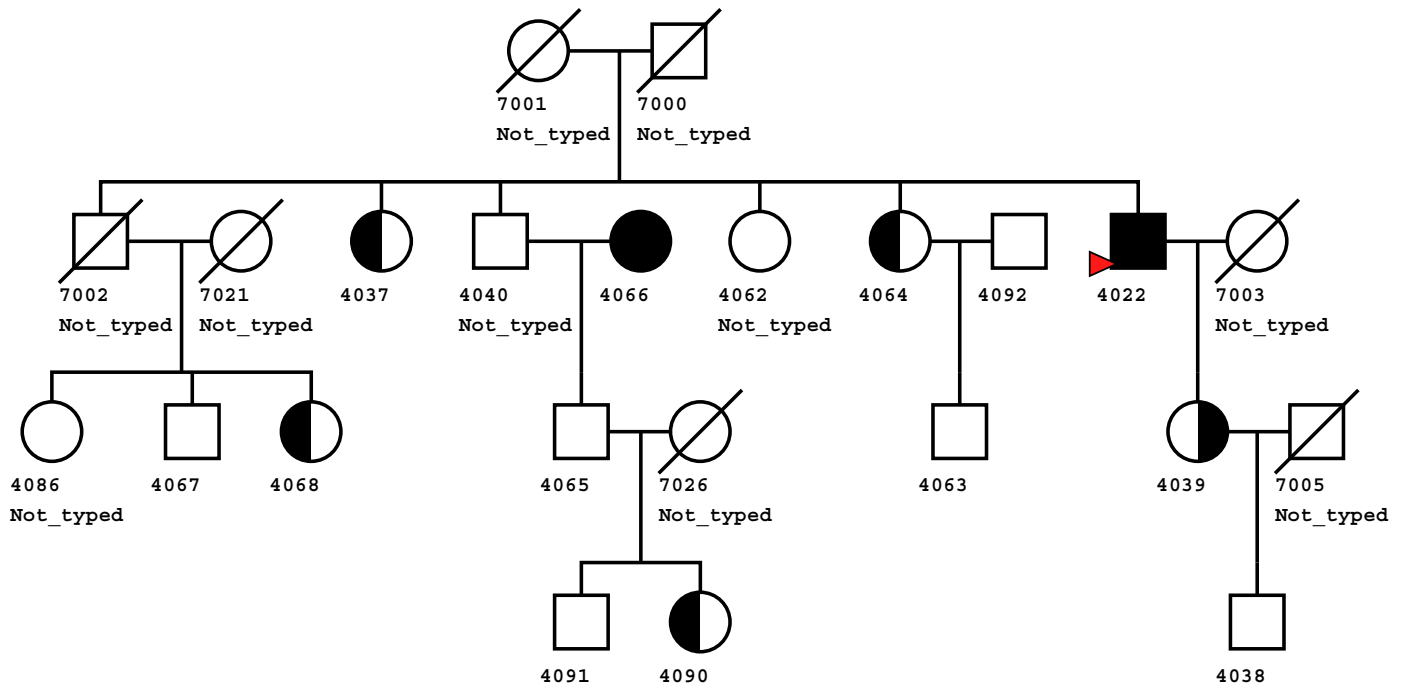


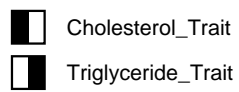
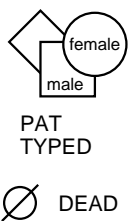
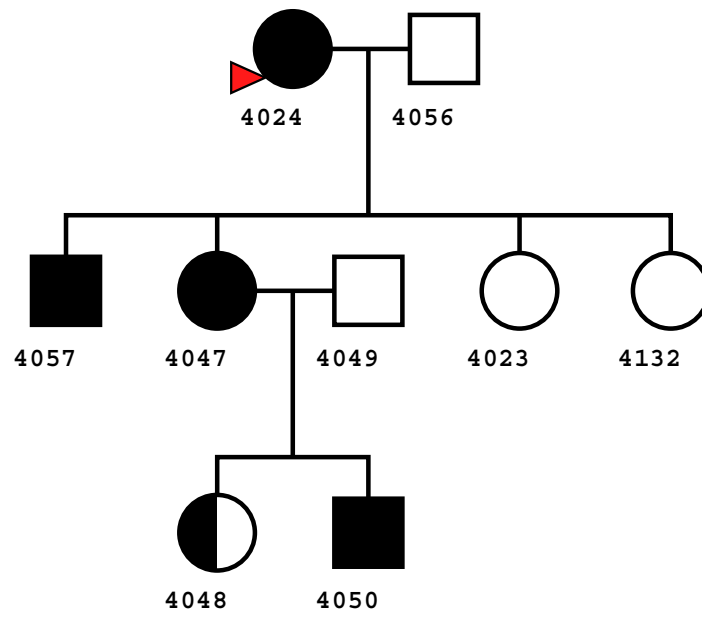
7 individuals

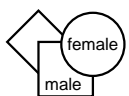
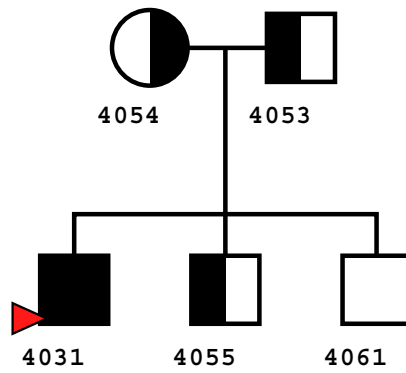


PAT  
TYPED









PAT  
TYPED

DEAD

PROBAND

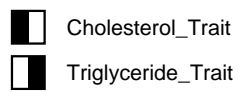
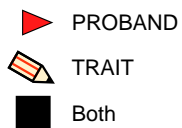
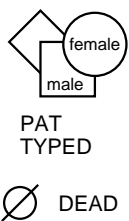
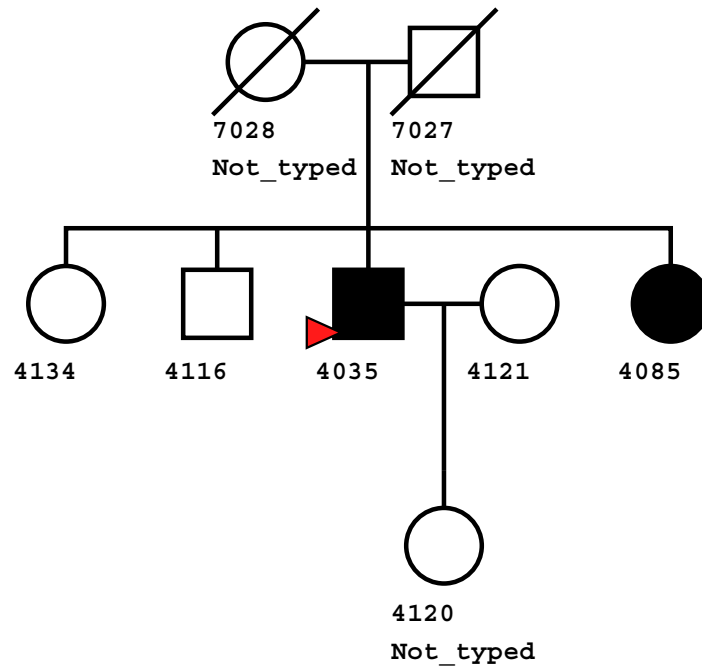
TRAIT

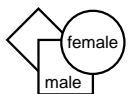
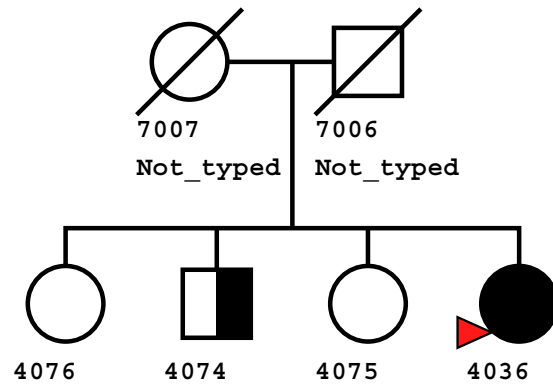
Both

Cholesterol\_Trait

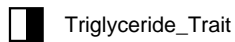
Triglyceride\_Trait

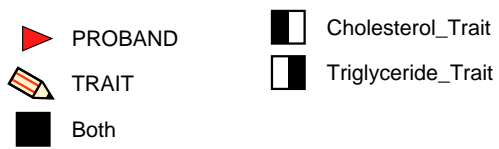
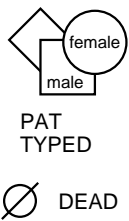
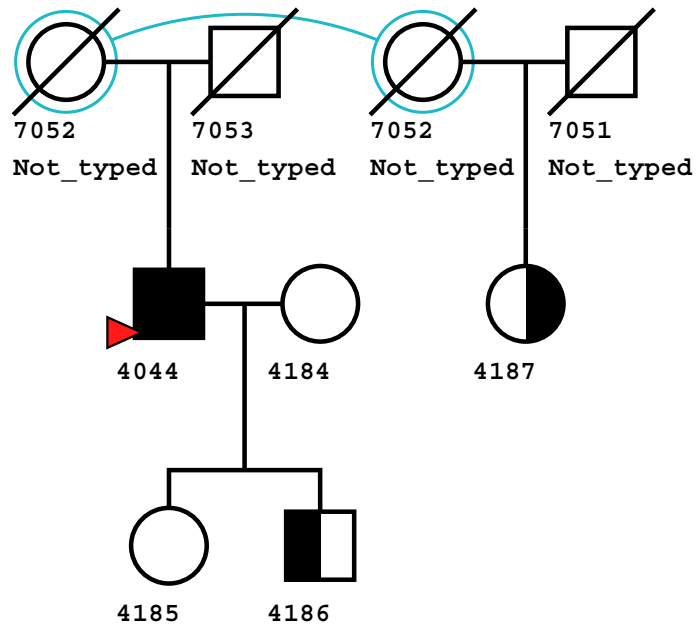


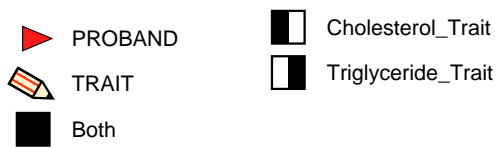
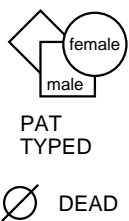
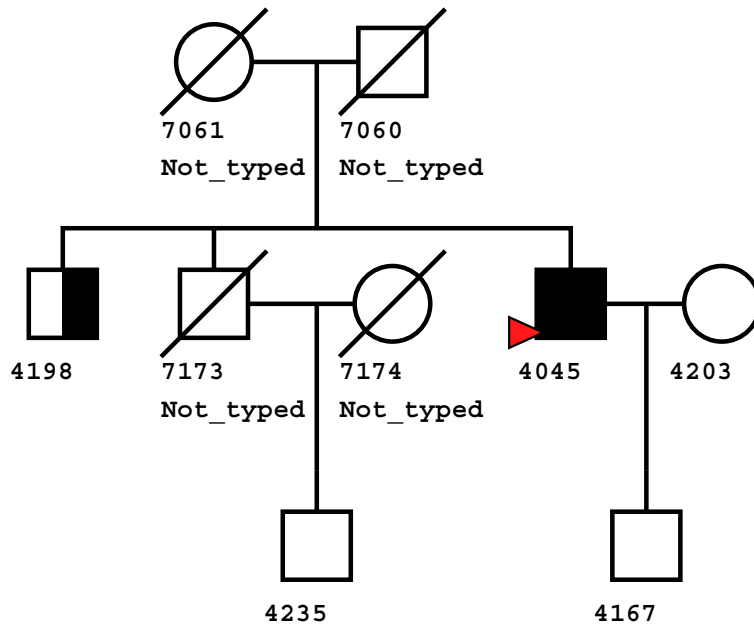


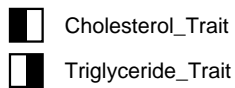
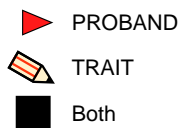
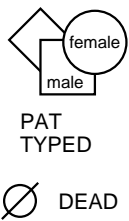
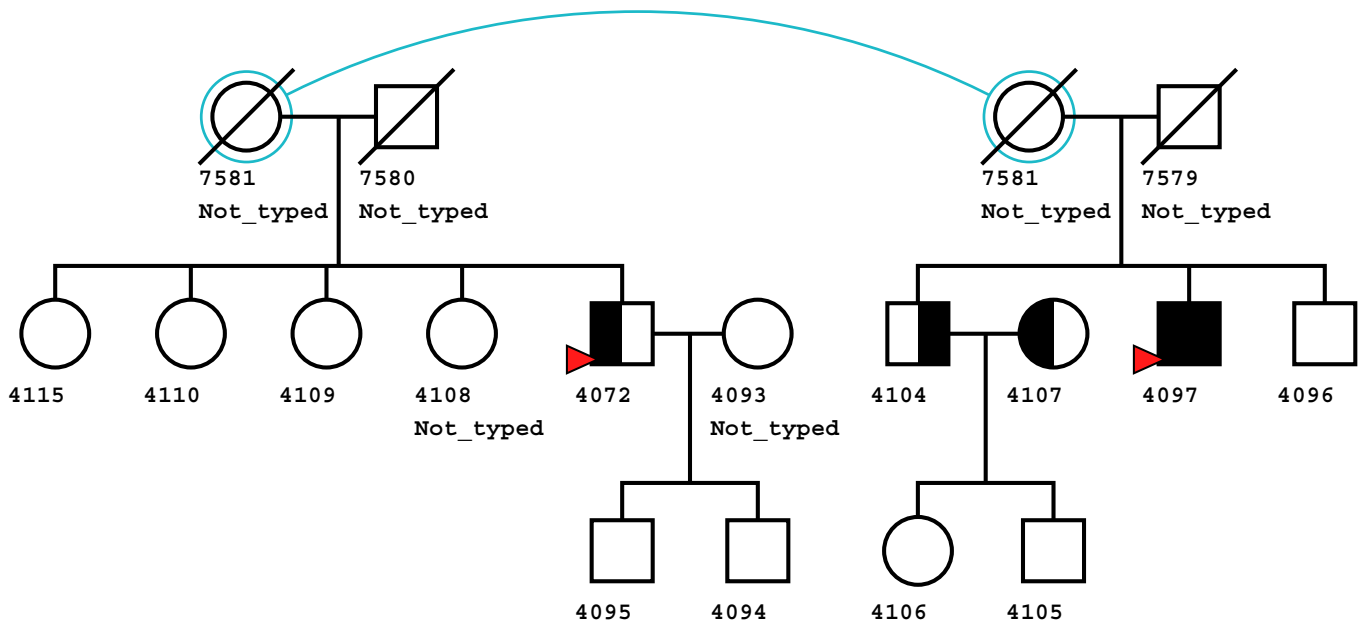


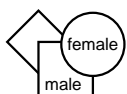
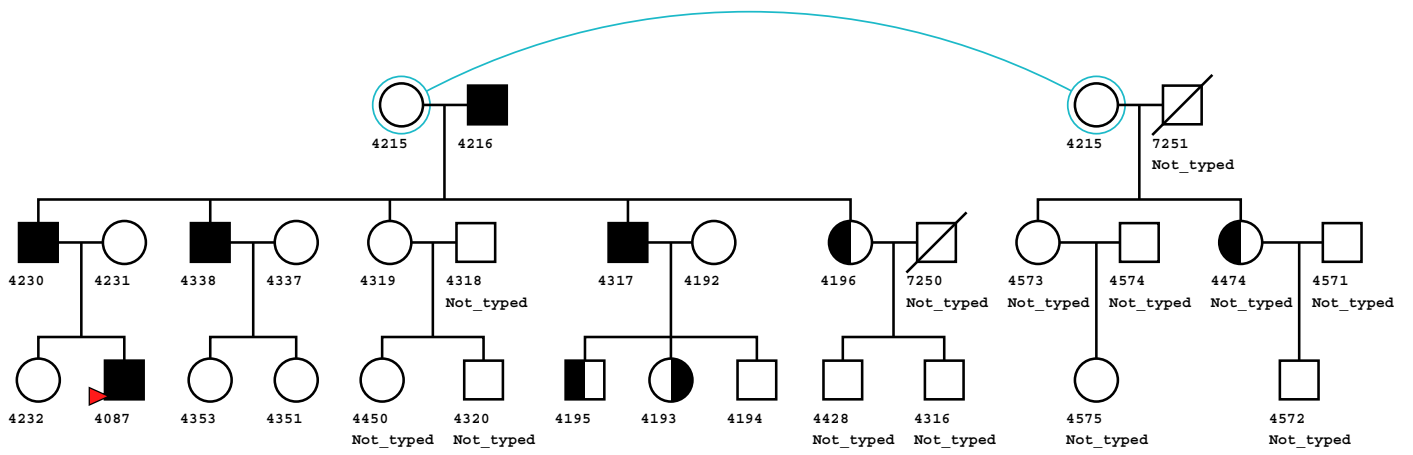
PAT  
TYPED











PAT  
TYPED

DEAD

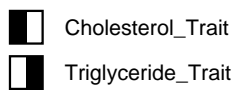
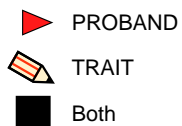
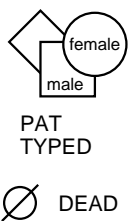
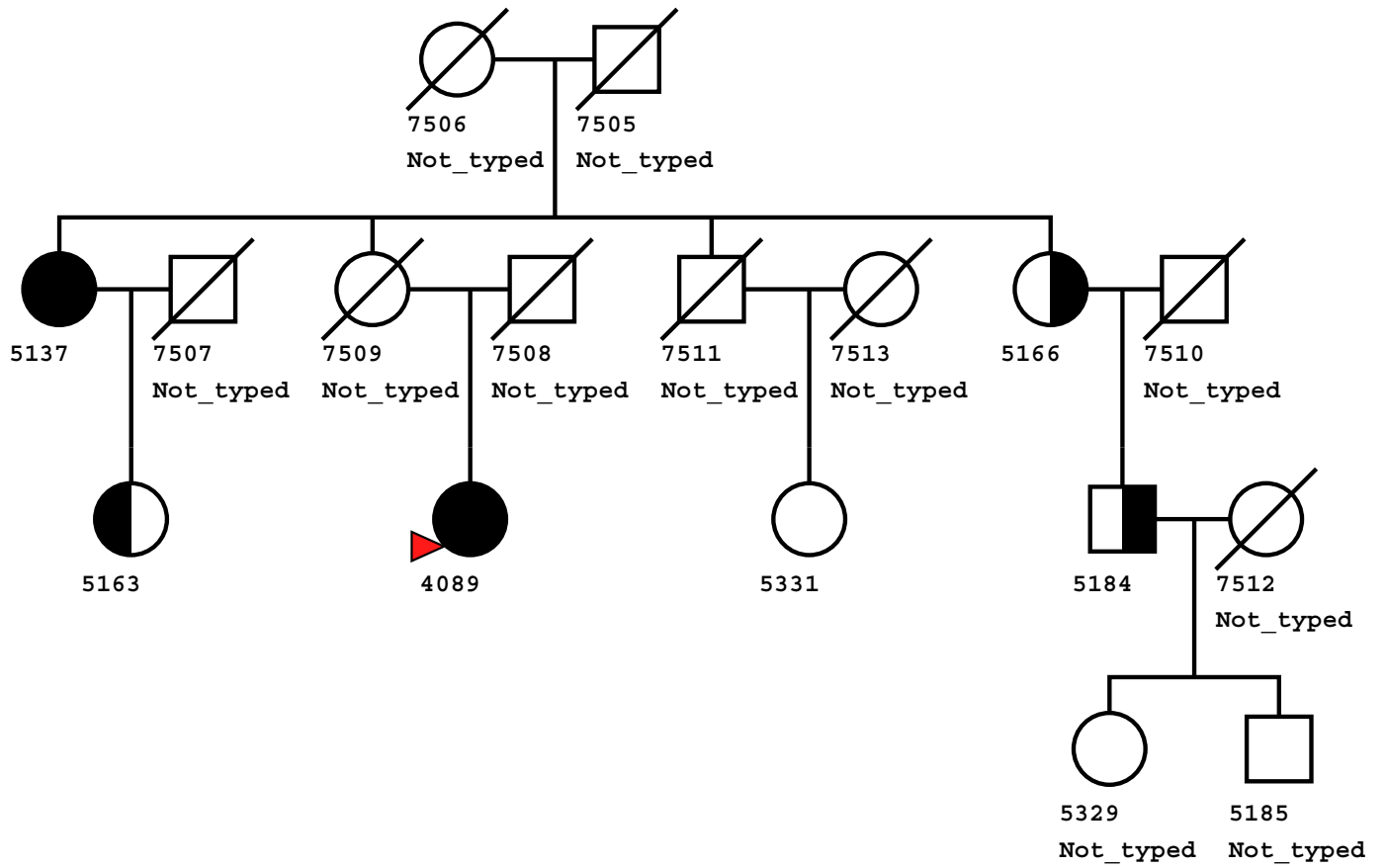
PROBAND

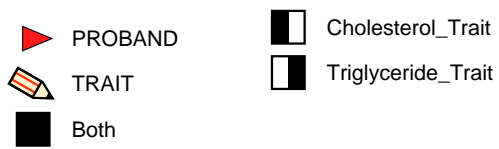
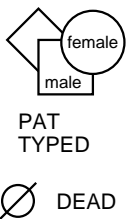
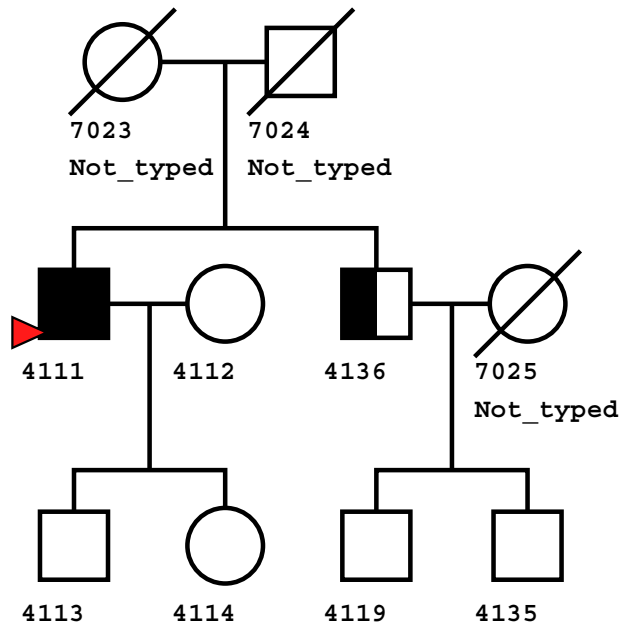
TRAIT

Both

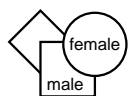
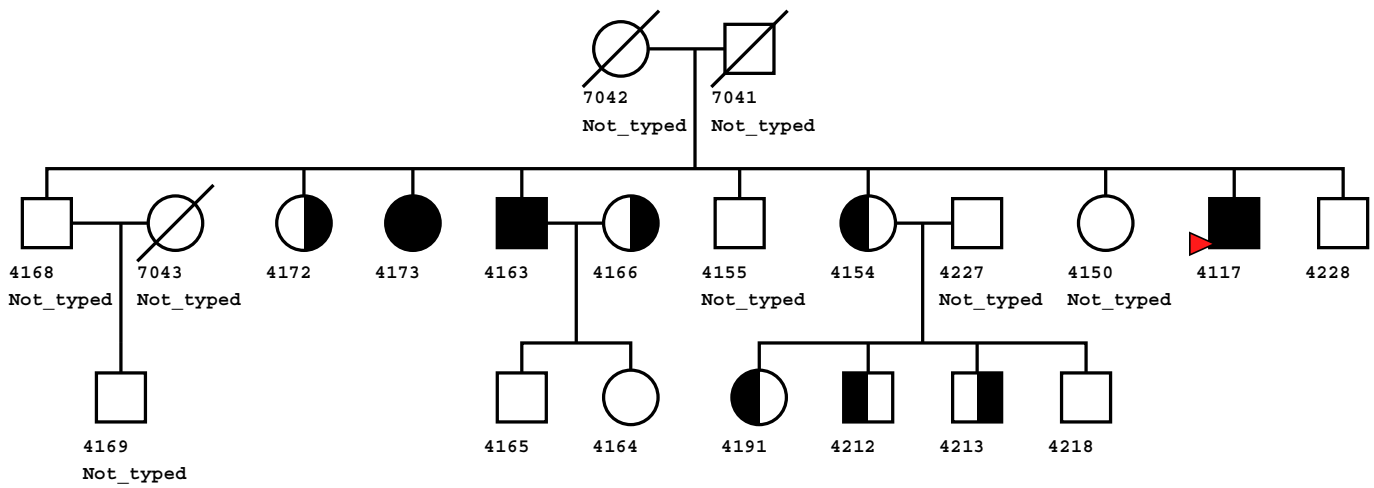
Cholesterol\_Trait

Triglyceride\_Trait









PAT  
TYPED

DEAD

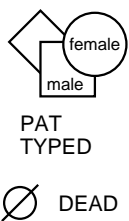
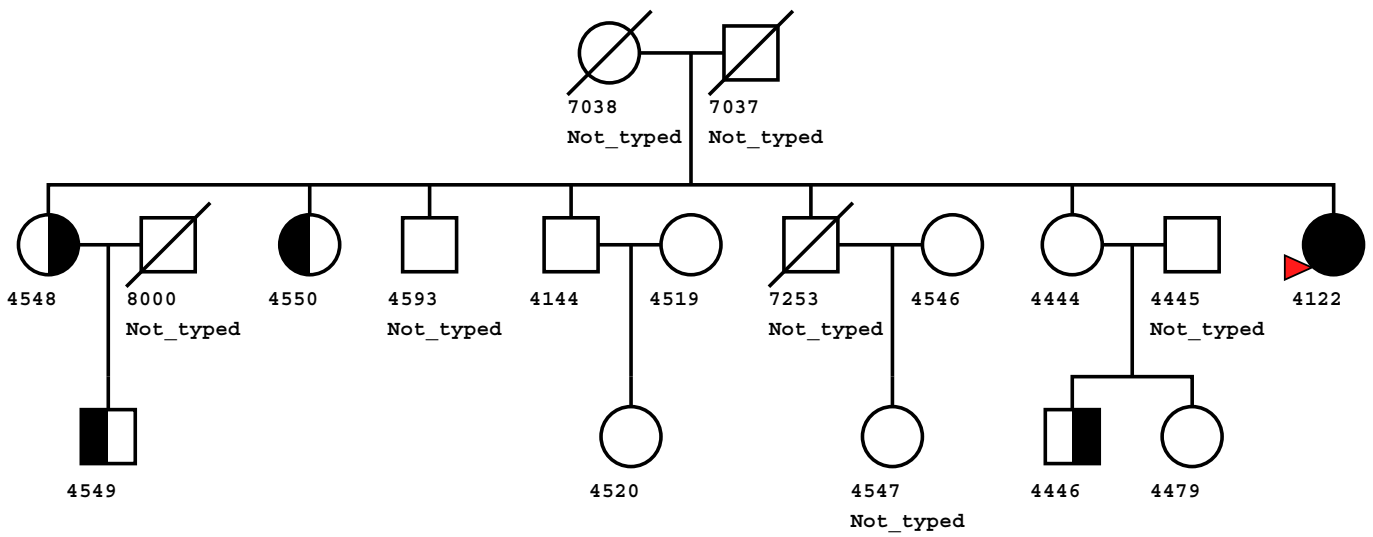
PROBAND



TRAIT



Both

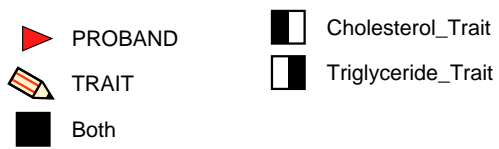
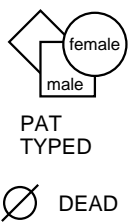
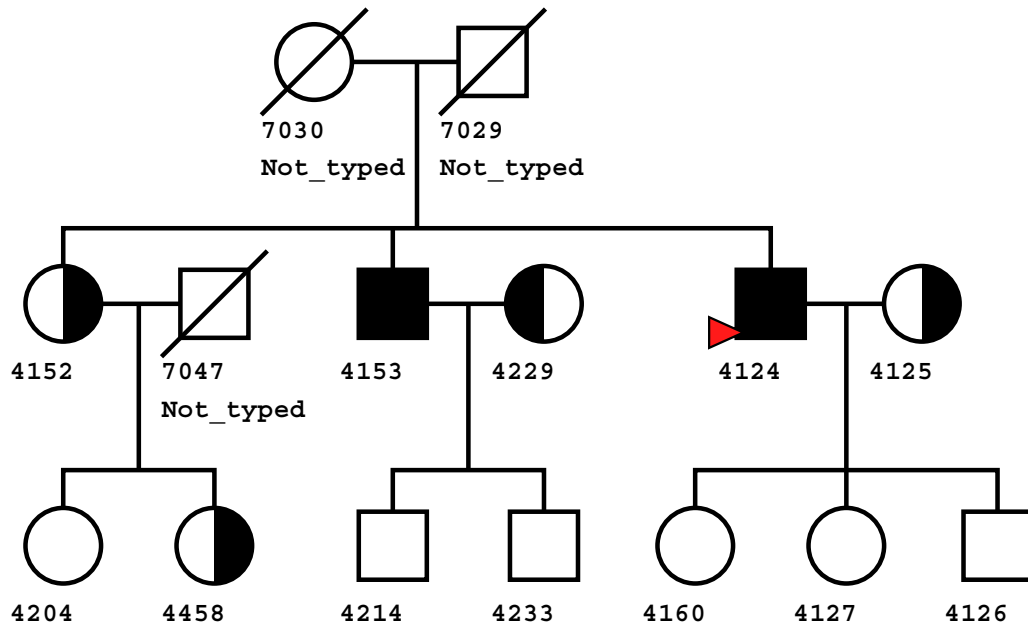
Cholesterol\_Trait

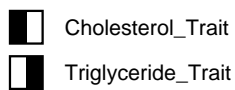
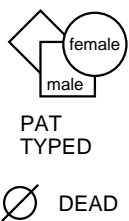
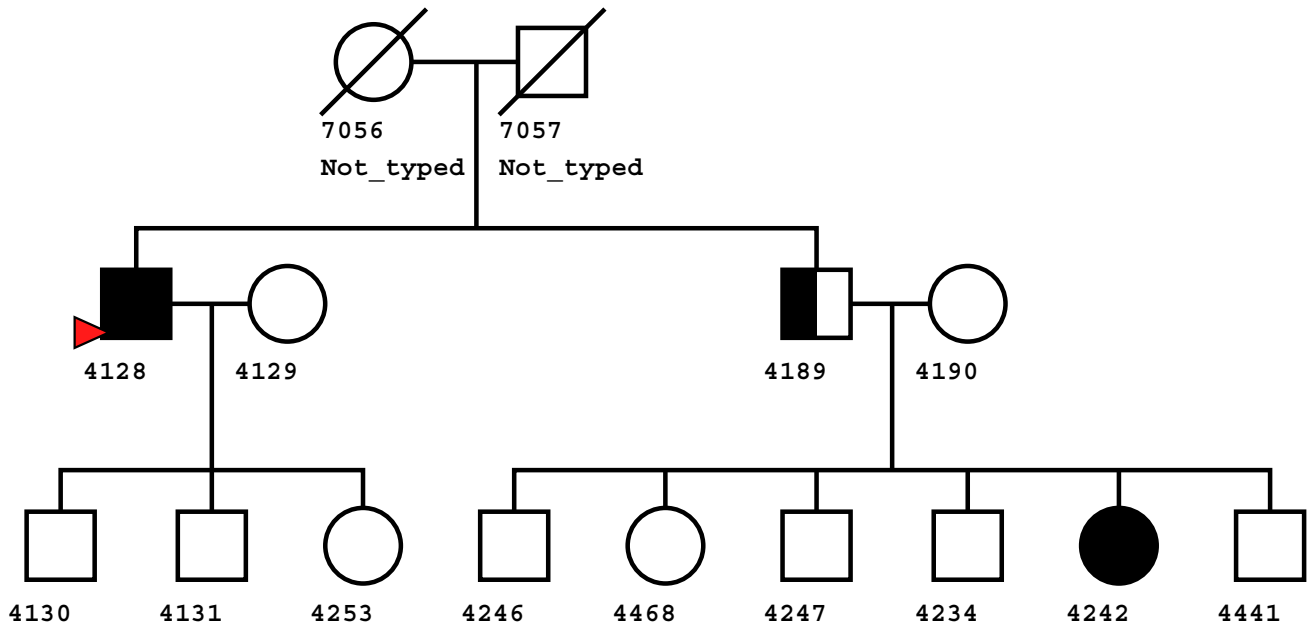
Triglyceride\_Trait

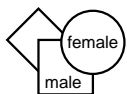
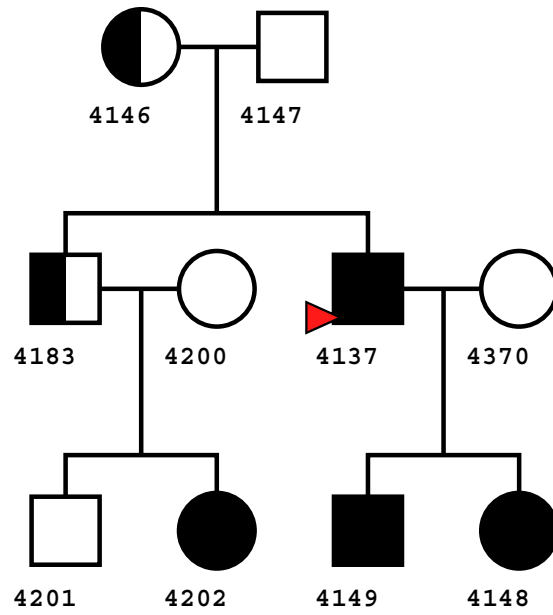


-  PROBAND
-  TRAIT
-  Both

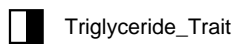
-  Cholesterol\_Trait
-  Triglyceride\_Trait

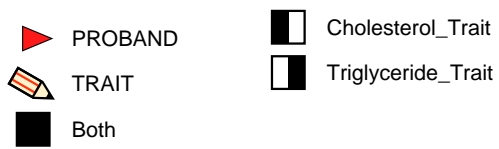
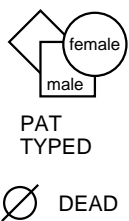
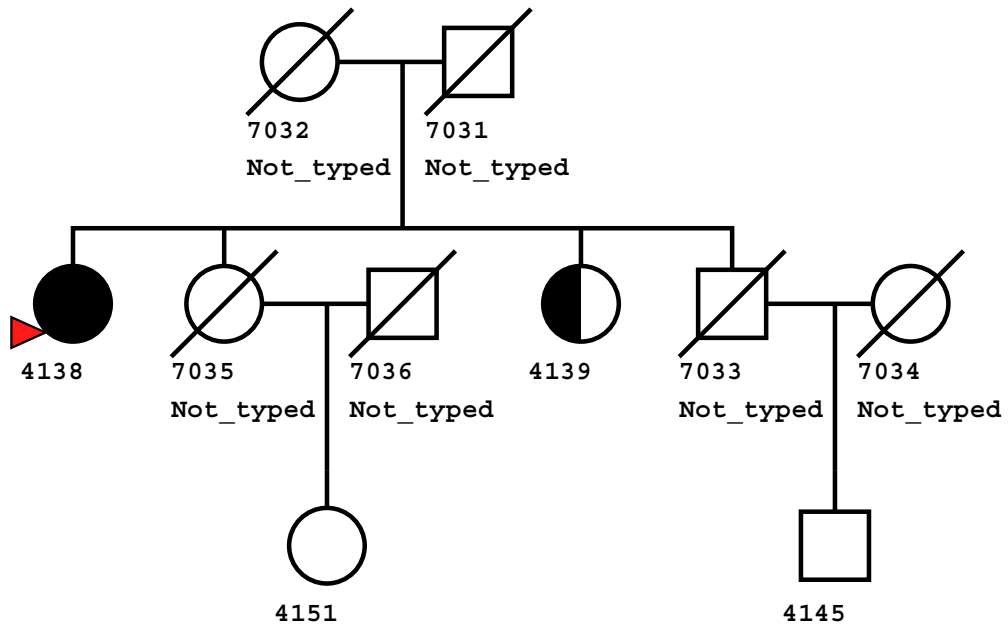


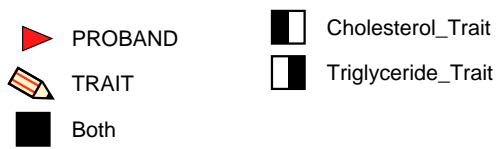
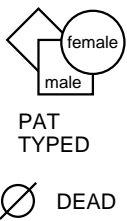
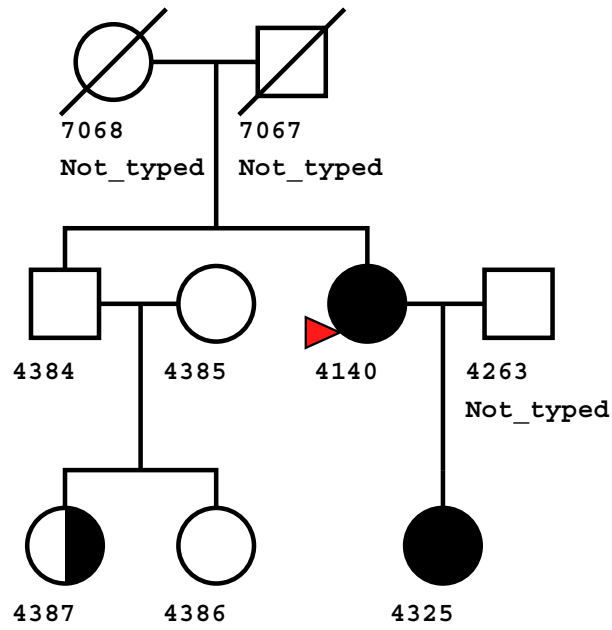


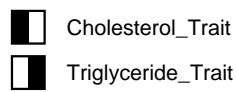
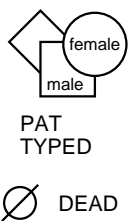
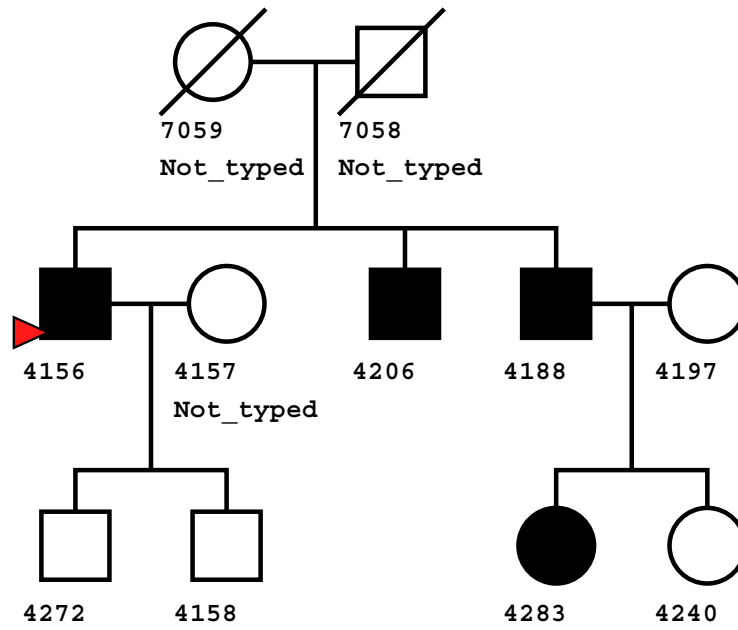


PAT  
TYPED

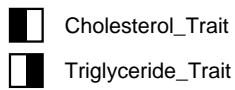
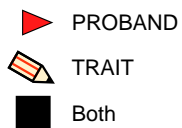
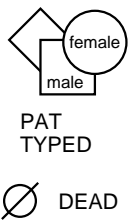
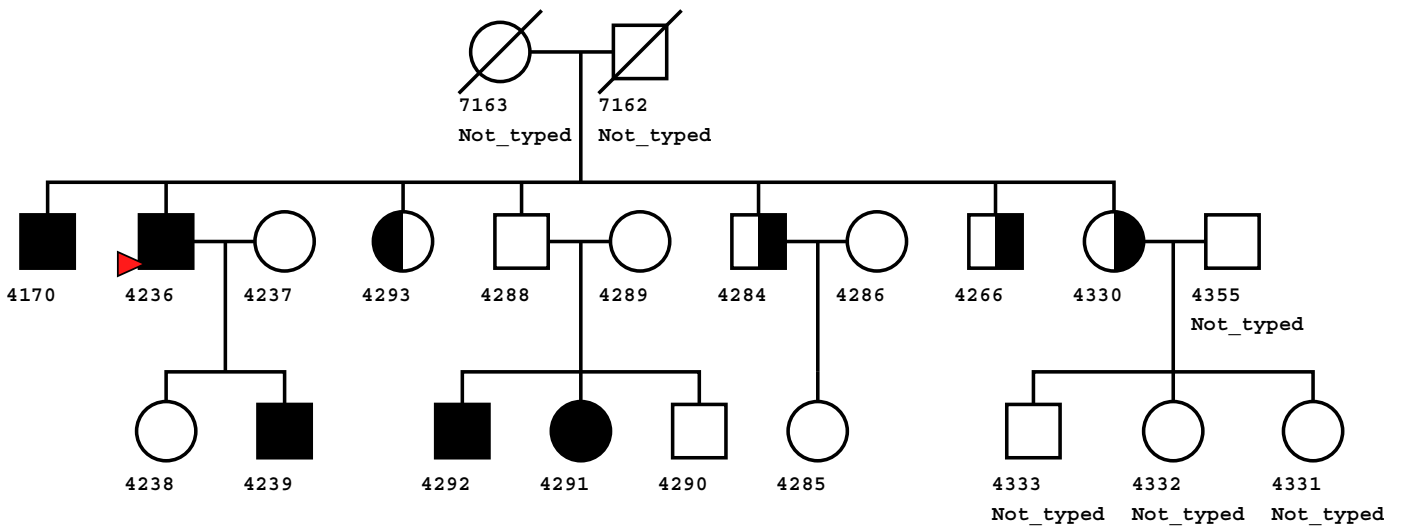




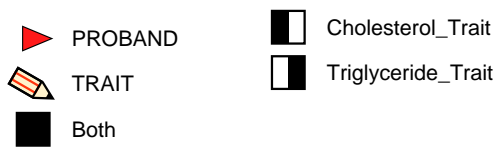
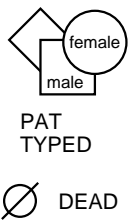
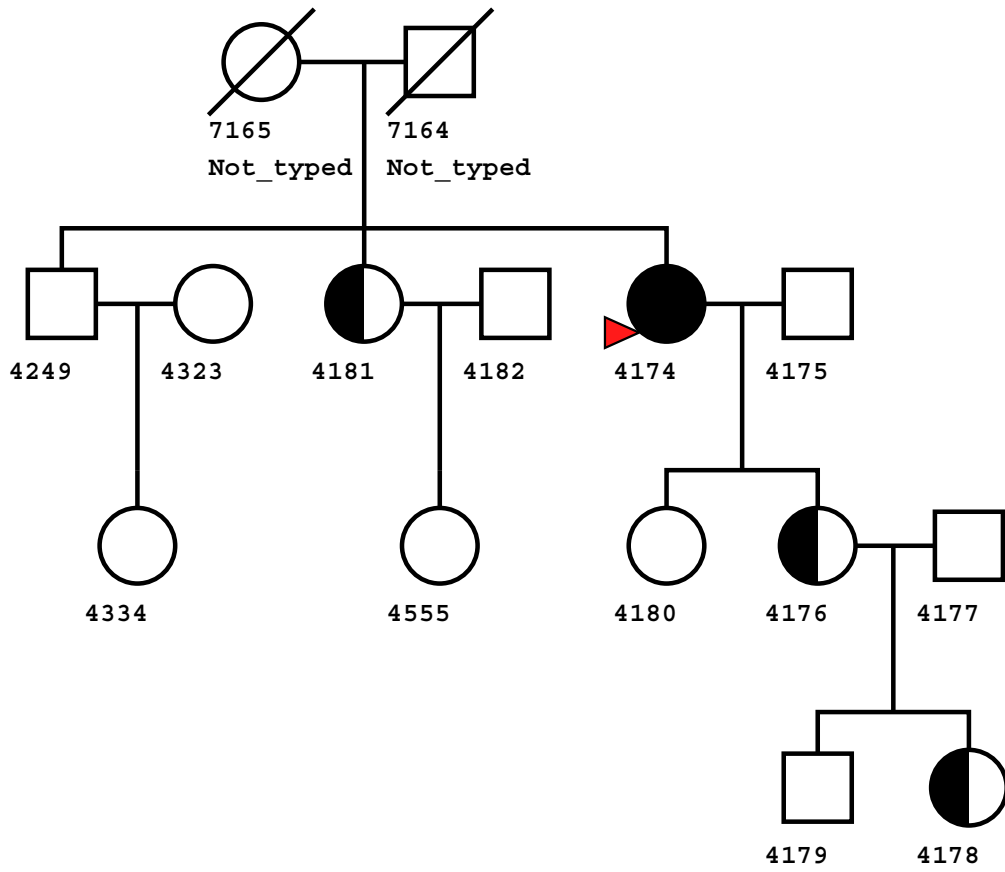




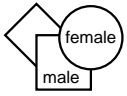




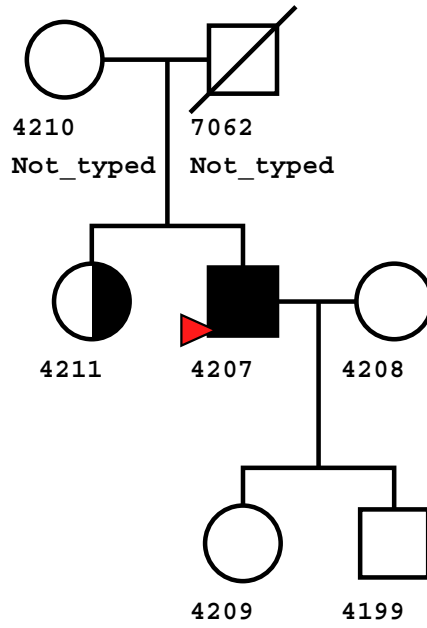
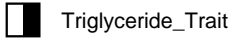
15 individuals



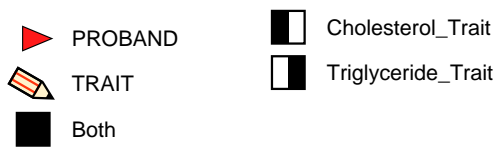
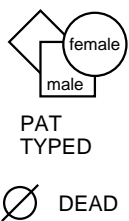
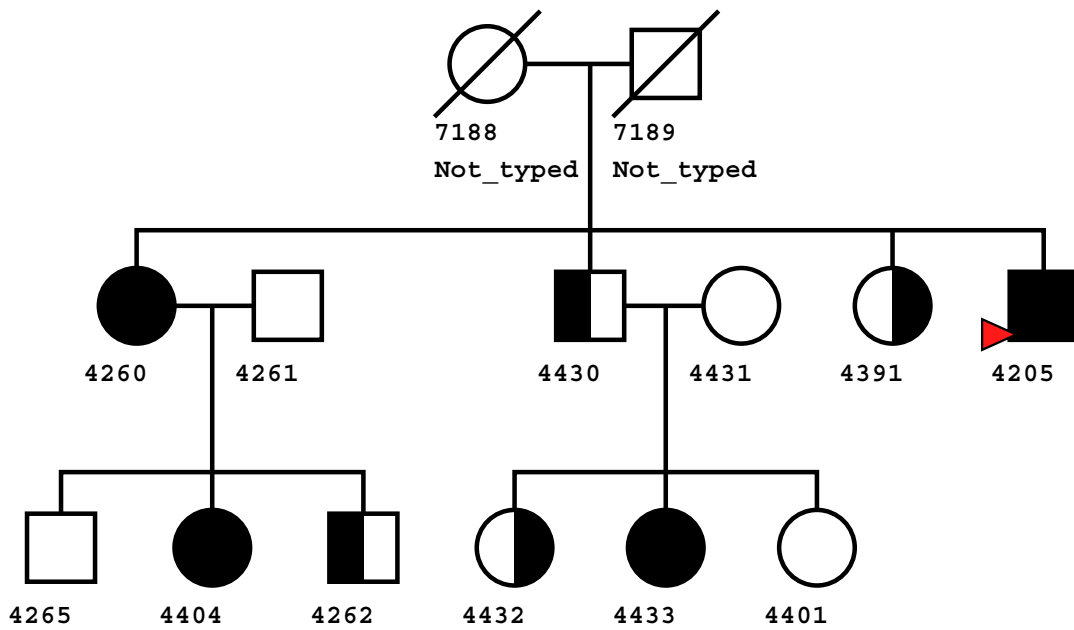
7 individuals



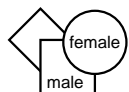
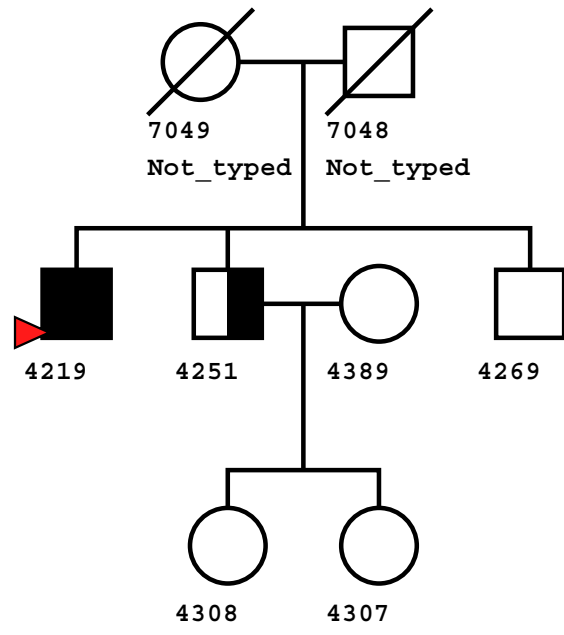
PAT  
TYPED



14 individuals



8 individuals



PAT  
TYPED



DEAD



PROBAND



TRAIT



Both

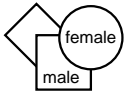


Cholesterol\_Trait



Triglyceride\_Trait

6 individuals



PAT  
TYPED



DEAD



PROBAND



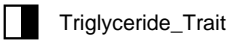
TRAIT



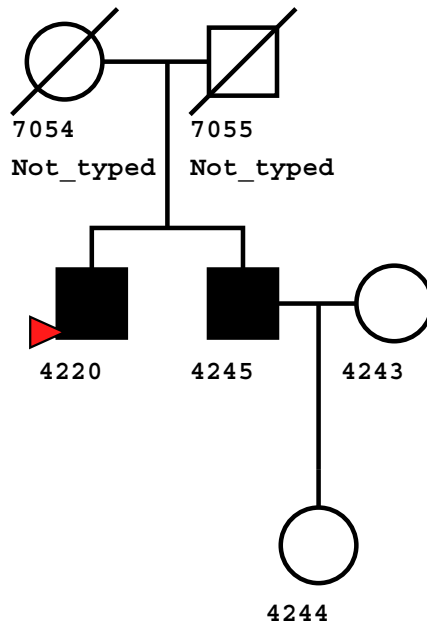
Both

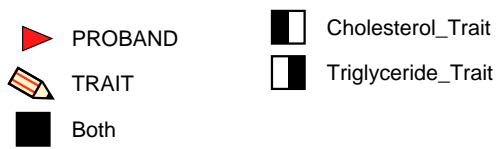
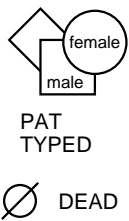
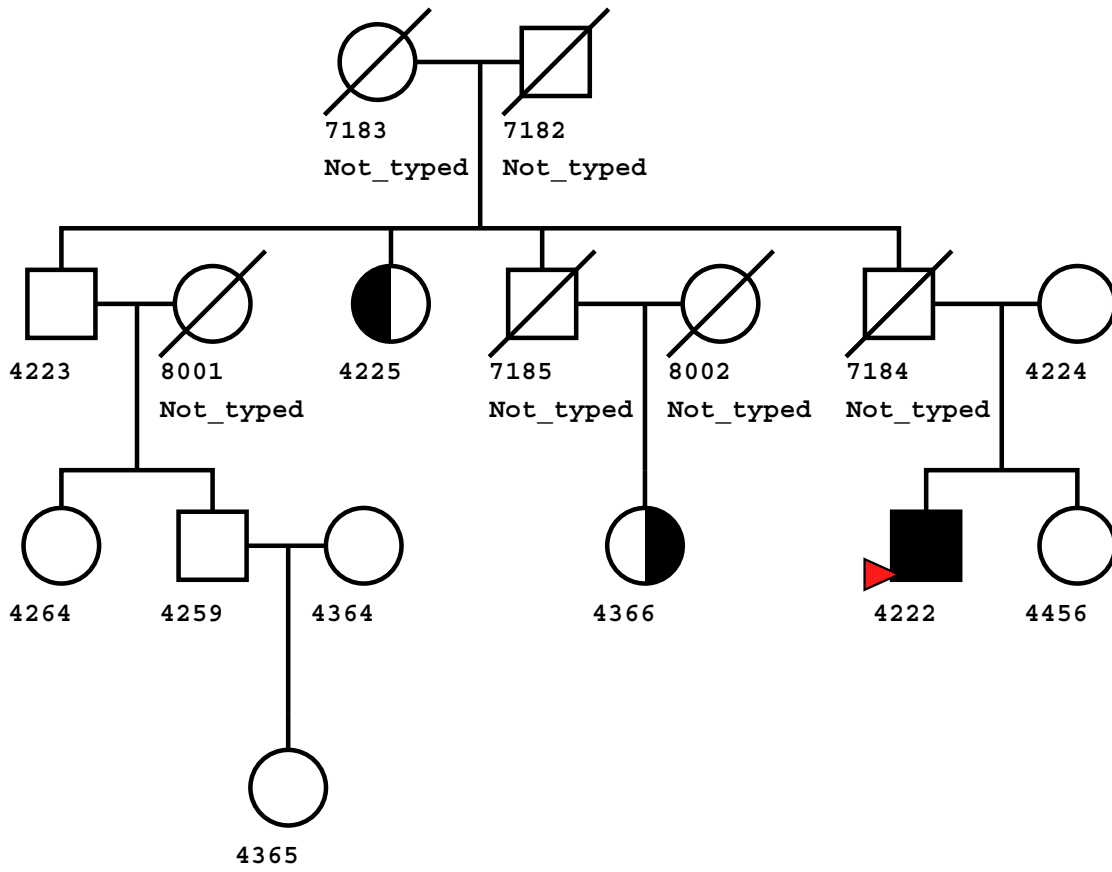


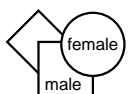
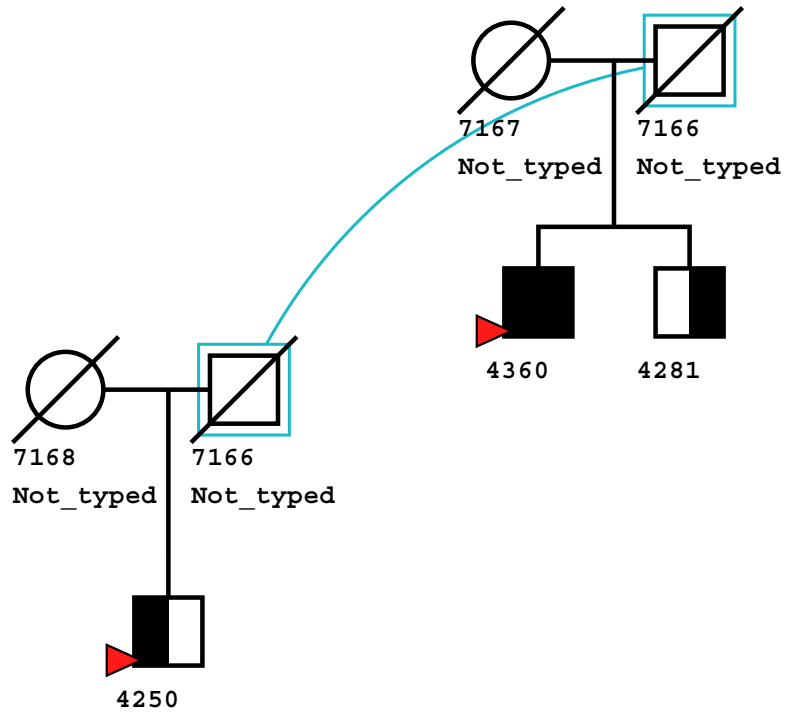
Cholesterol\_Trait



Triglyceride\_Trait







PAT  
TYPED

DEAD

PROBAND

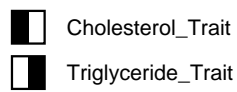
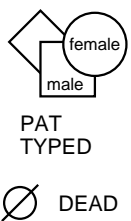
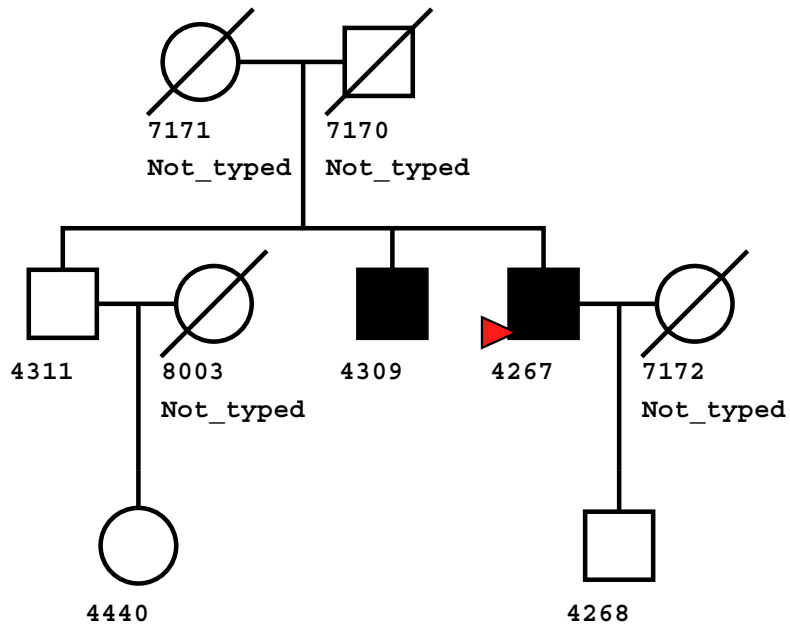
TRAIT

Both

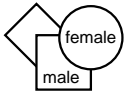
Cholesterol\_Trait

Triglyceride\_Trait

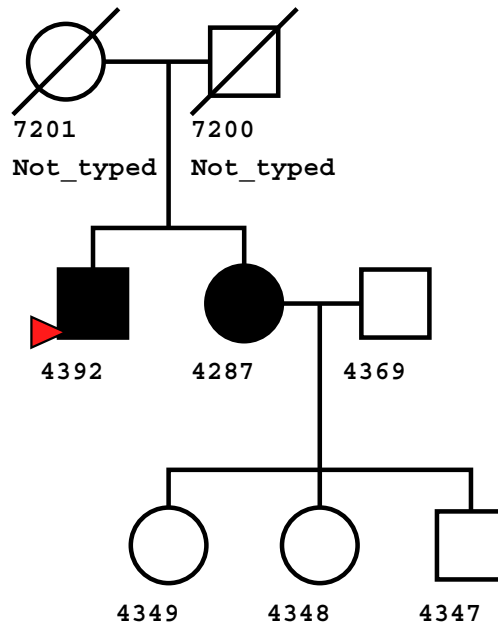
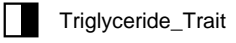




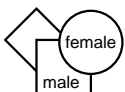
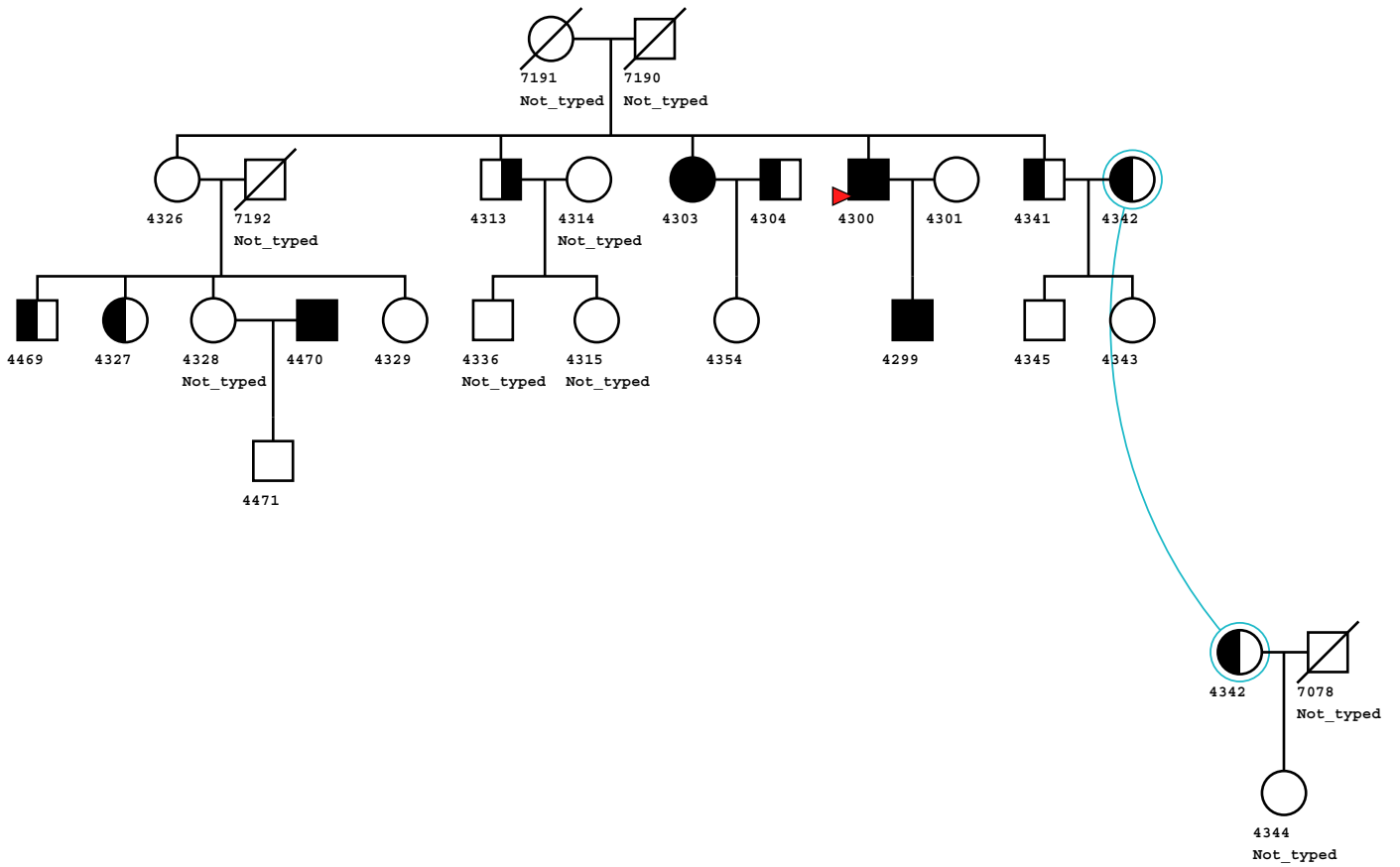
8 individuals



PAT  
TYPED



26 individuals



PAT TYPED

DEAD

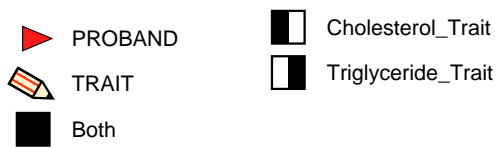
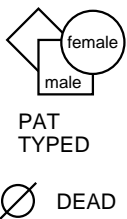
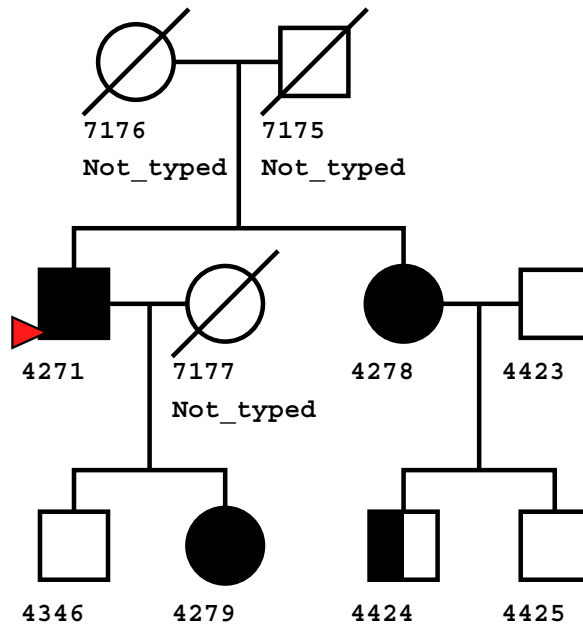
PROBAND

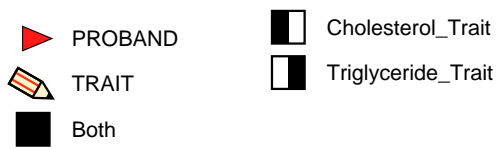
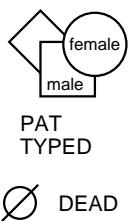
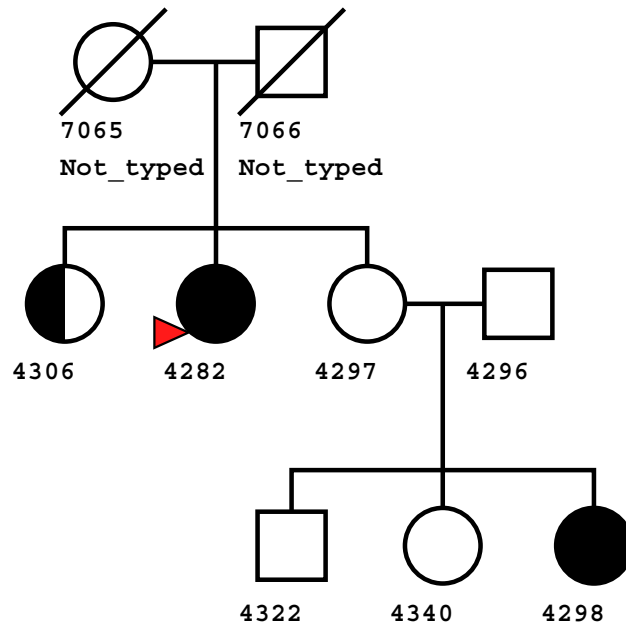
TRAIT

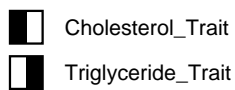
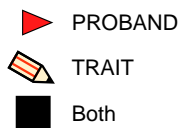
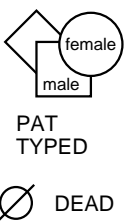
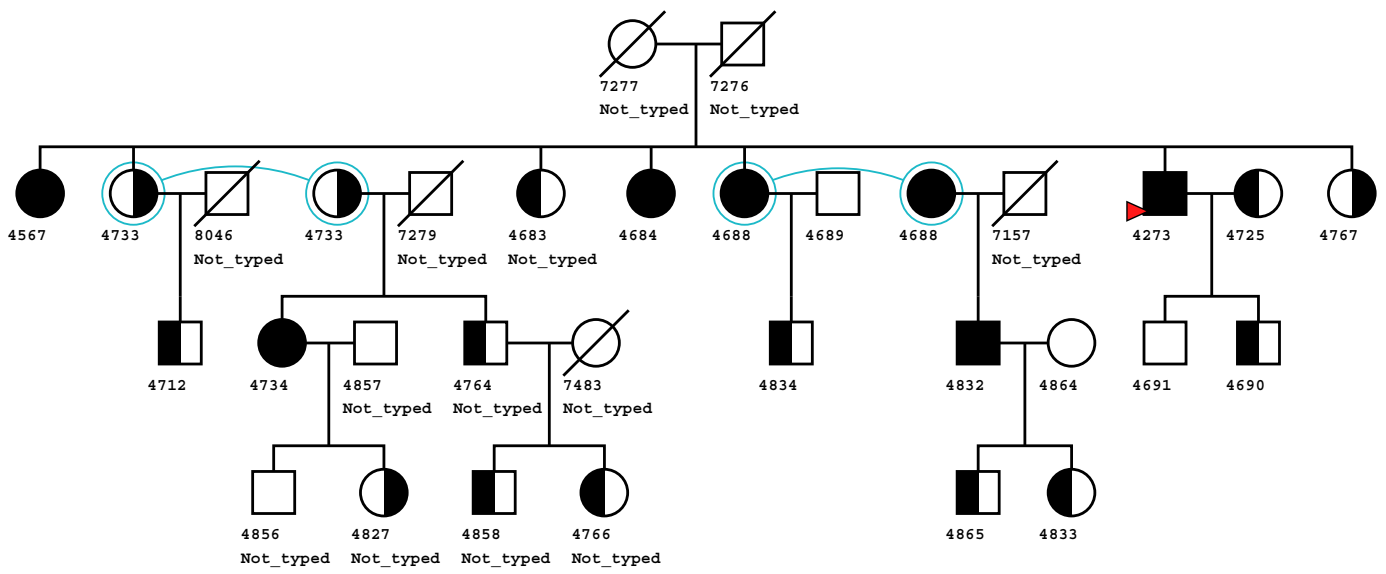
Both

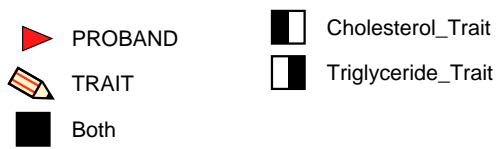
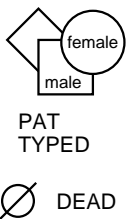
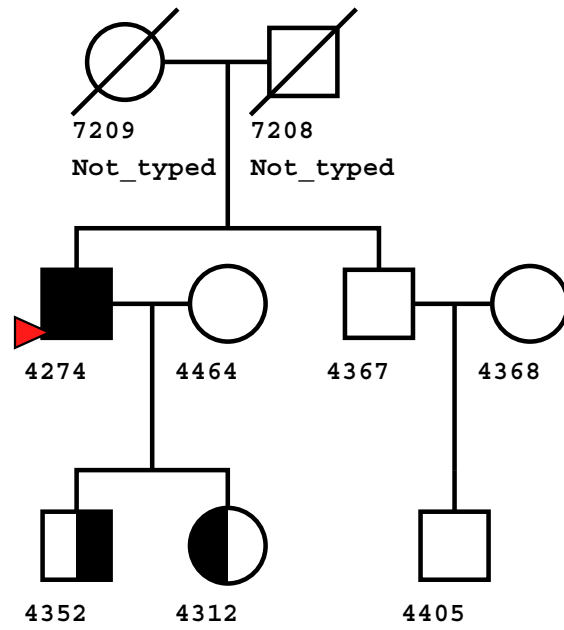
Cholesterol\_Trait

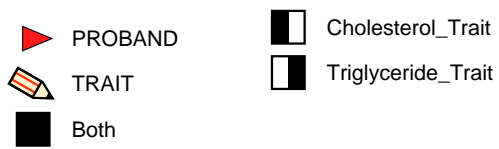
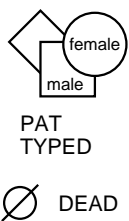
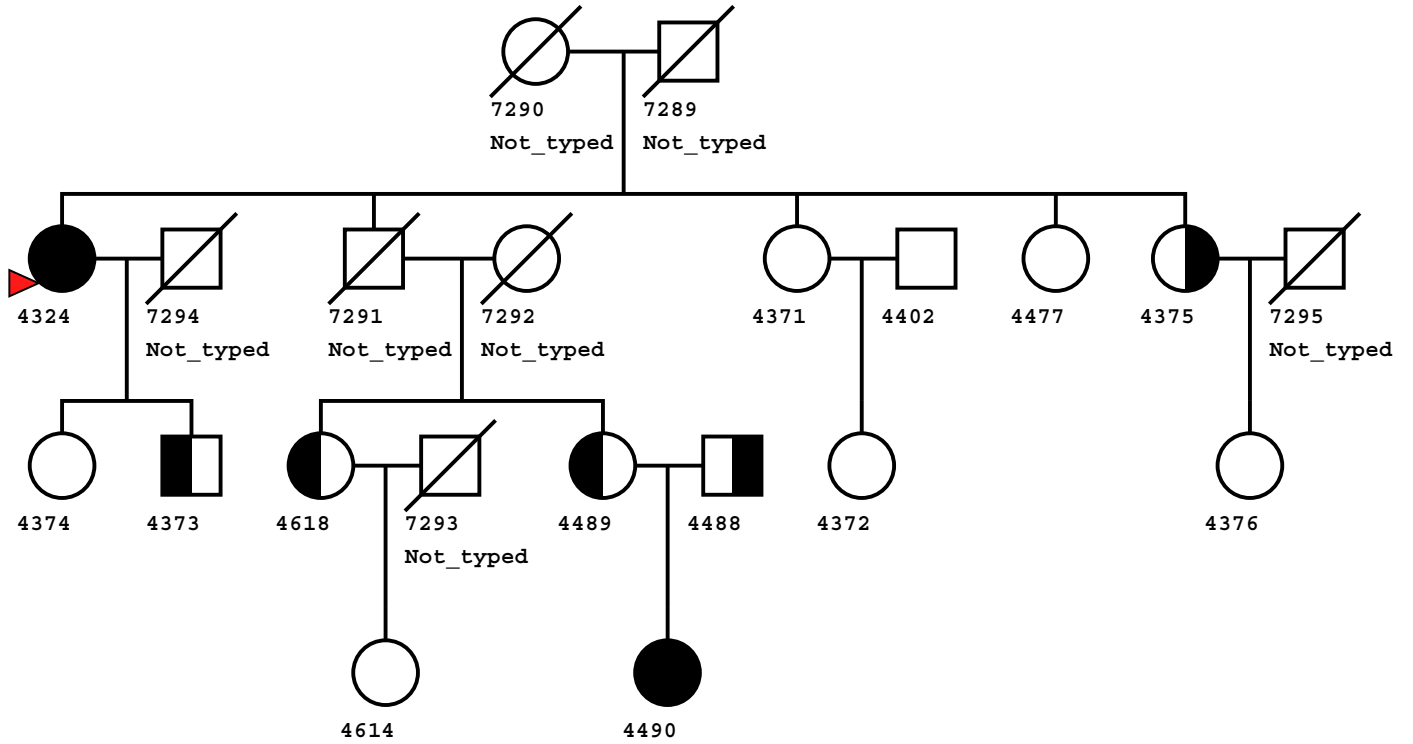
Triglyceride\_Trait





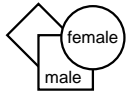




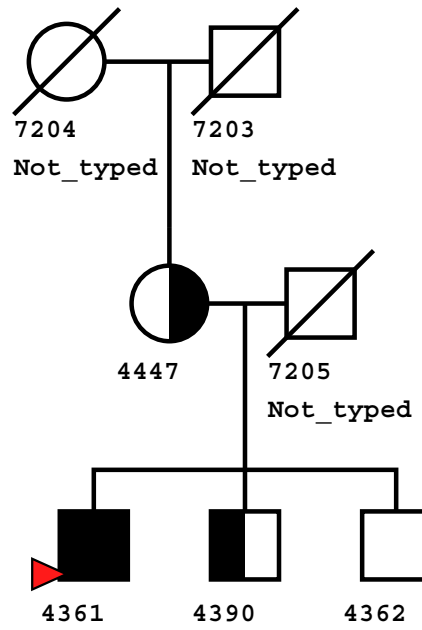
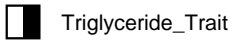




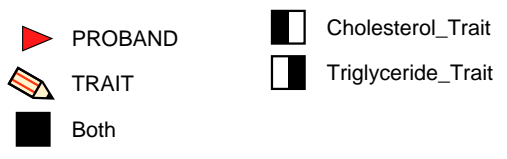
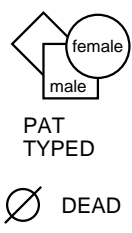
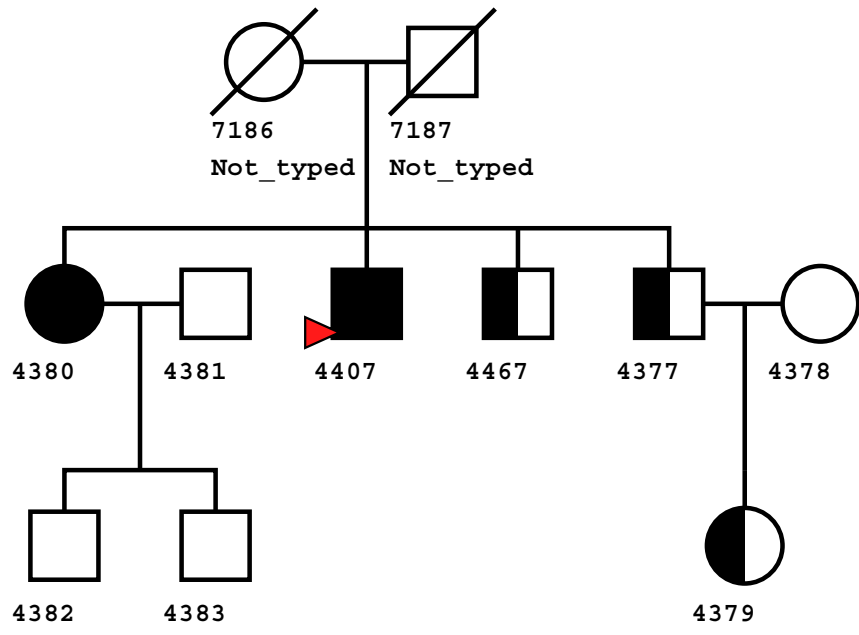
7 individuals



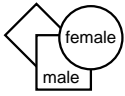
PAT  
TYPED



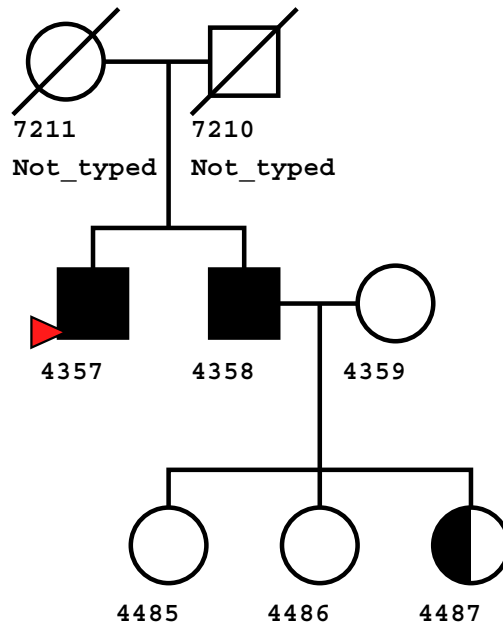
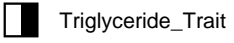
11 individuals

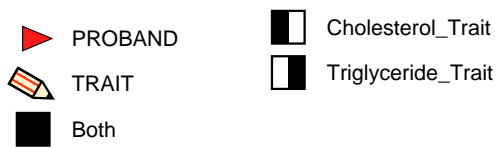
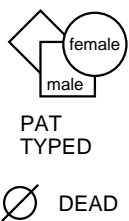
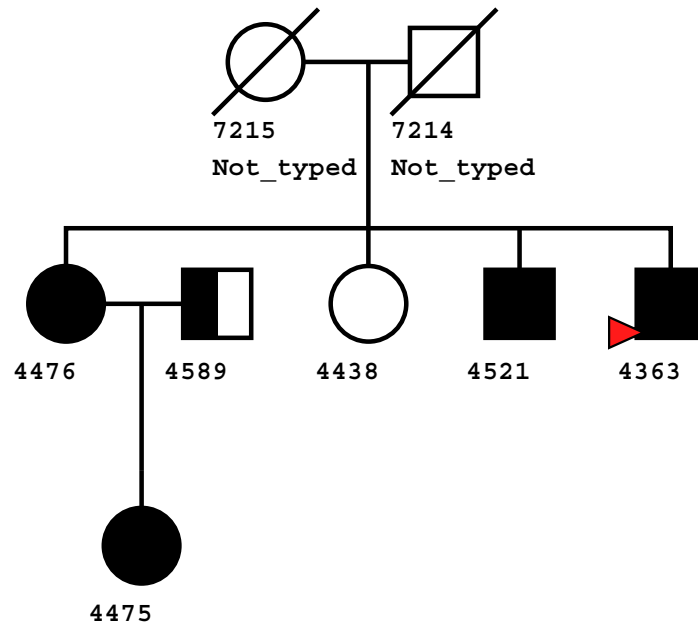


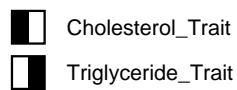
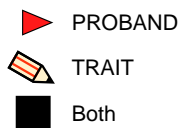
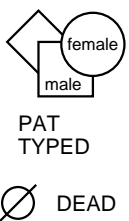
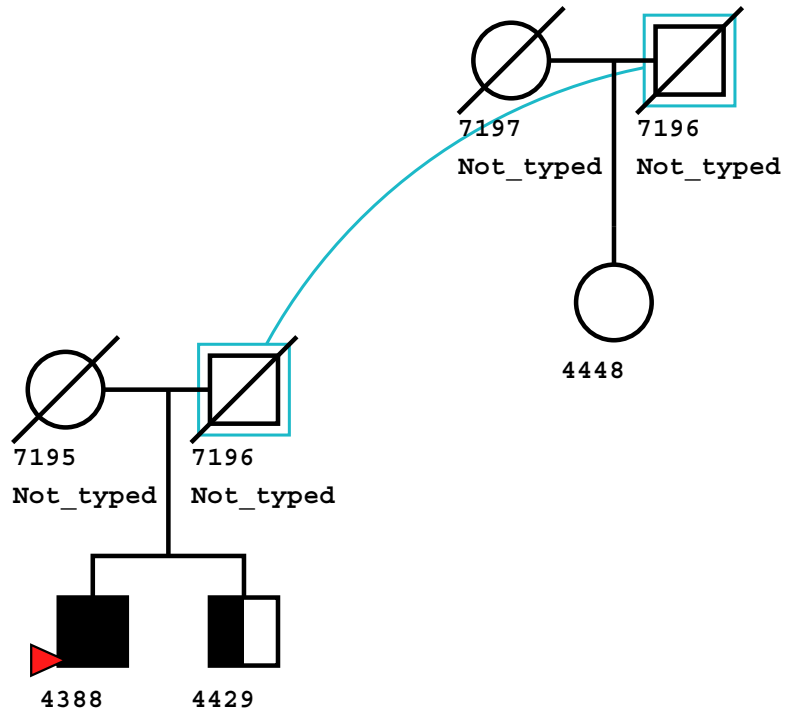
8 individuals

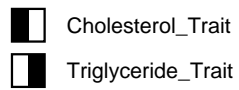
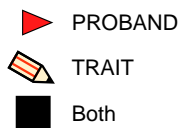
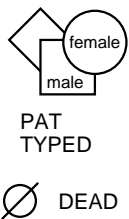
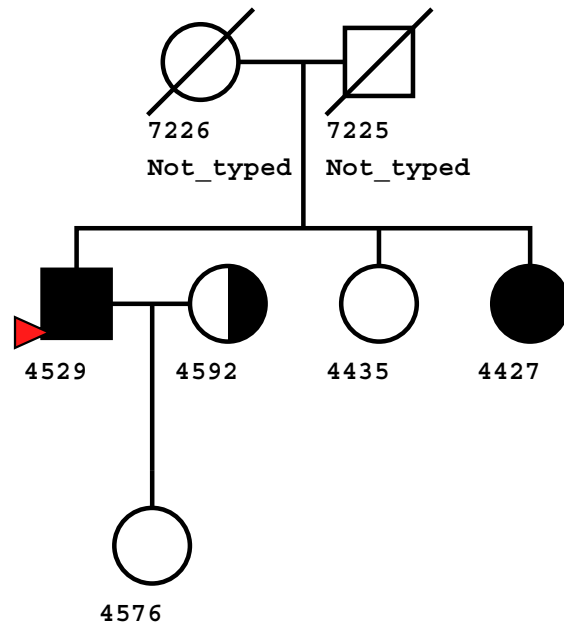


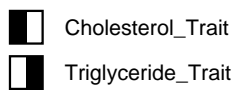
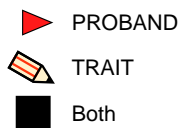
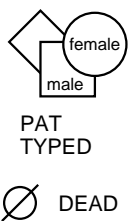
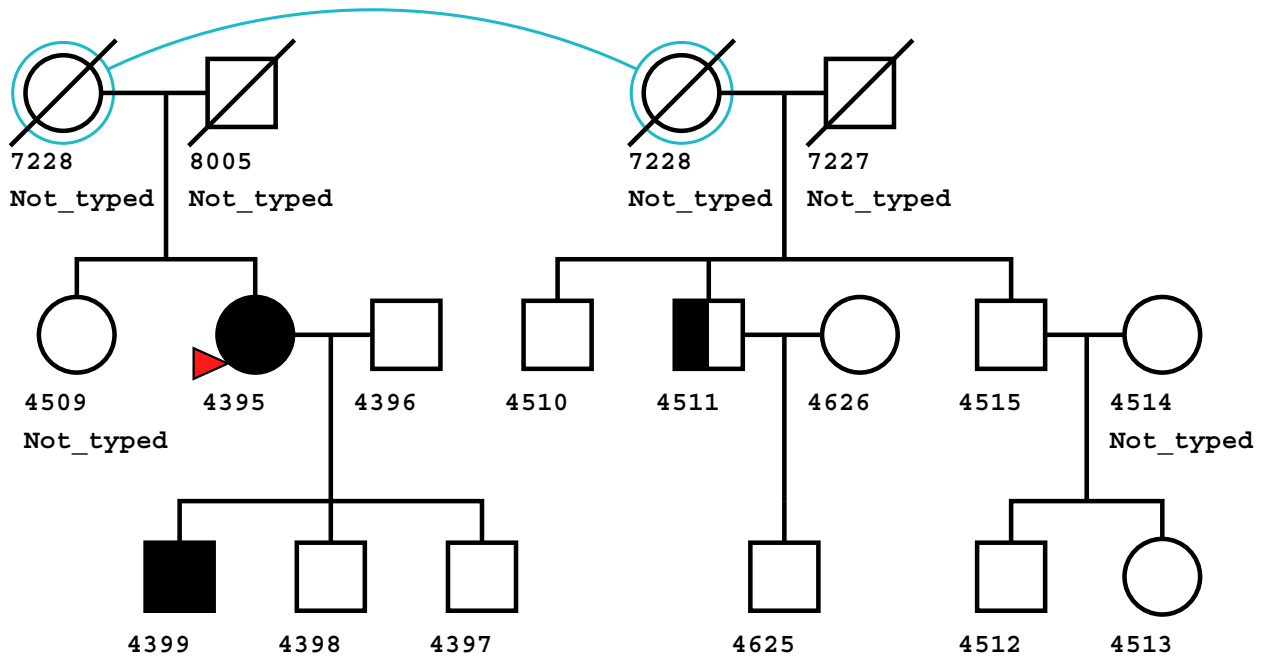
PAT  
TYPED

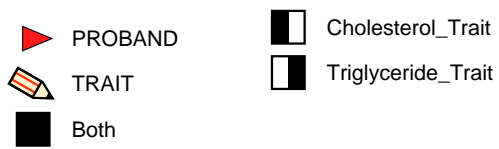
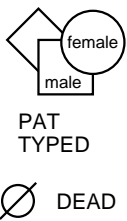
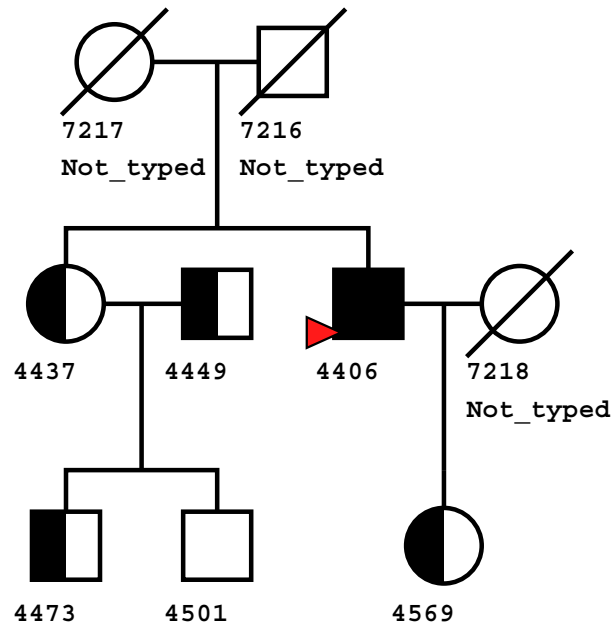




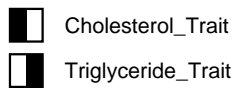
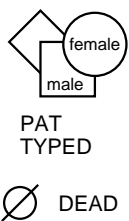
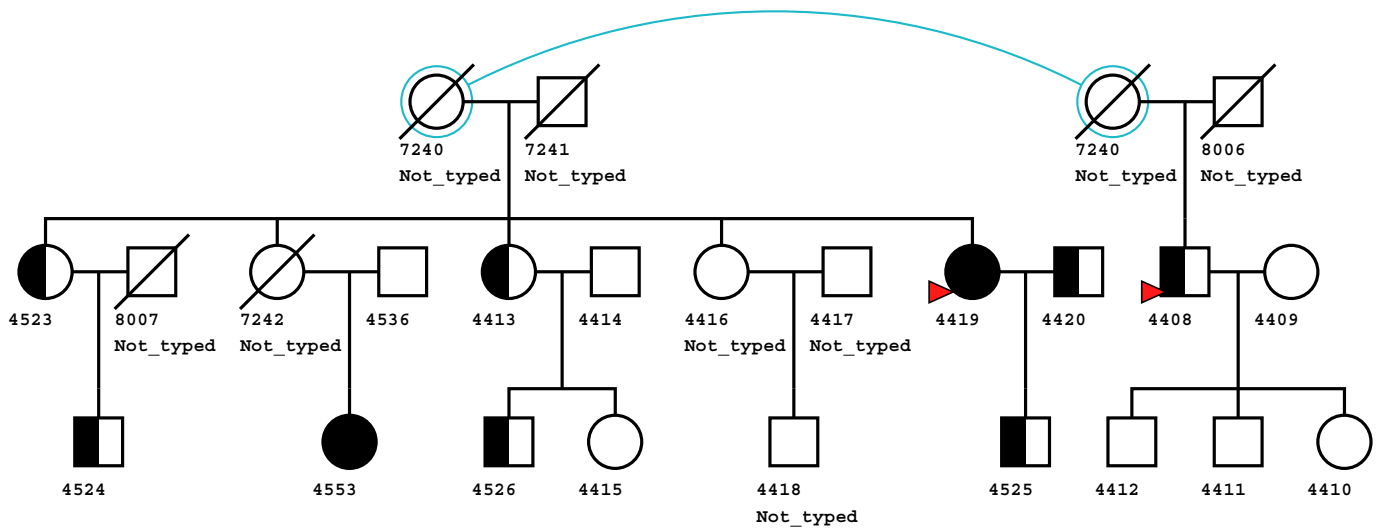


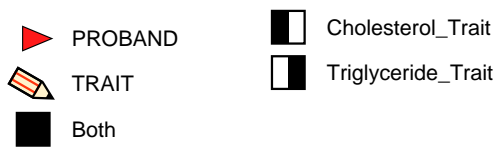
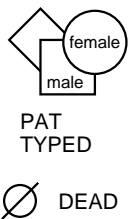
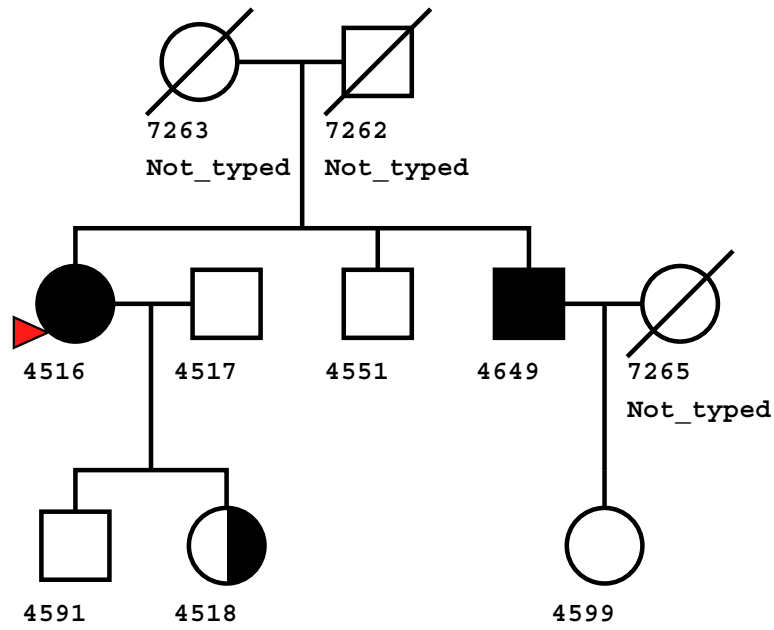


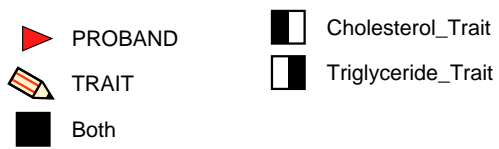
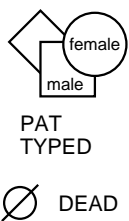
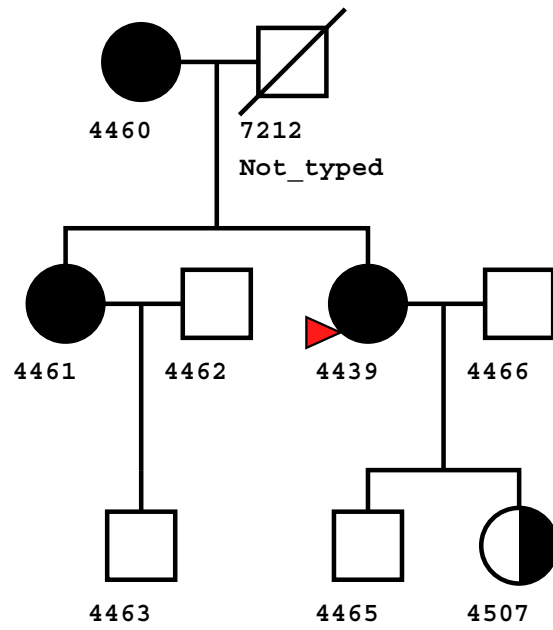




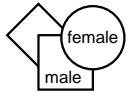








7 individuals



PAT  
TYPED

DEAD

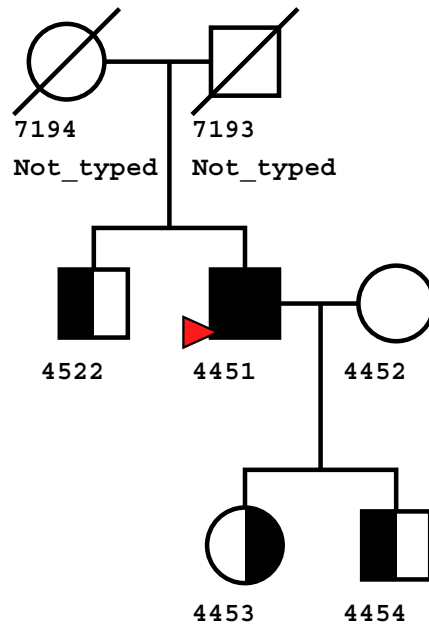
PROBAND

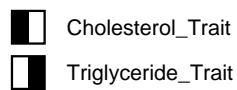
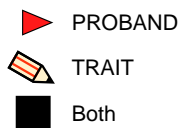
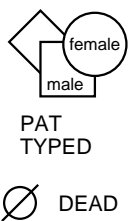
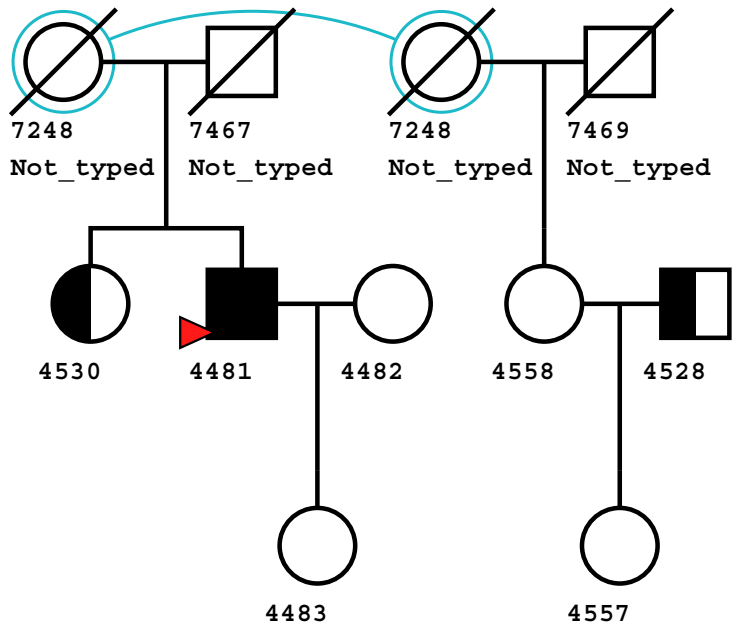
TRAIT

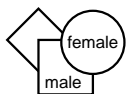
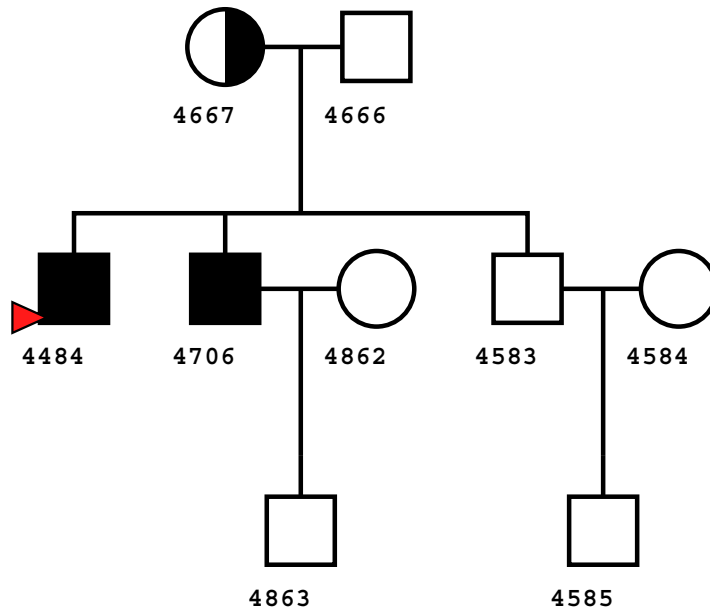
Both

Cholesterol\_Trait

Triglyceride\_Trait







PAT  
TYPED

DEAD

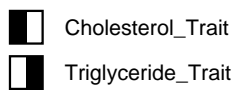
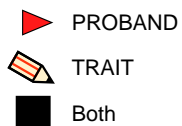
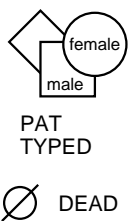
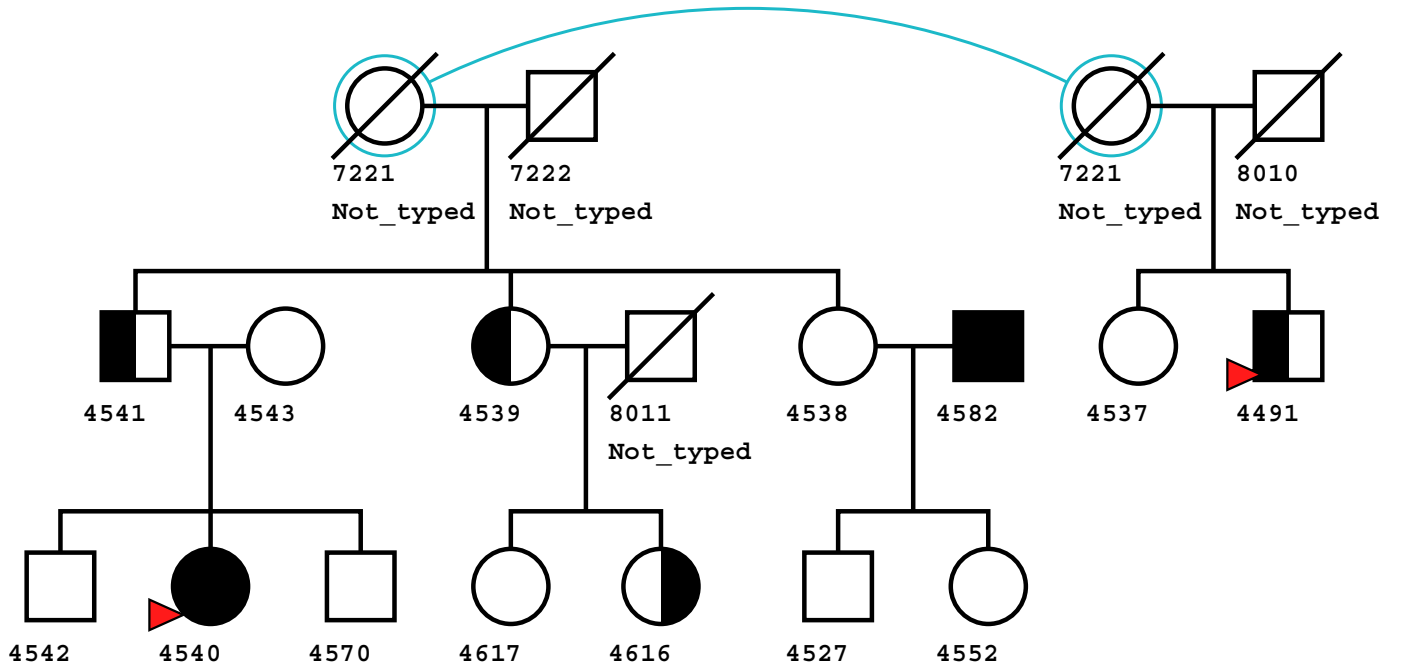
PROBAND

TRAIT

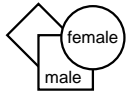
Both

Cholesterol\_Trait

Triglyceride\_Trait



7 individuals



PAT  
TYPED

DEAD

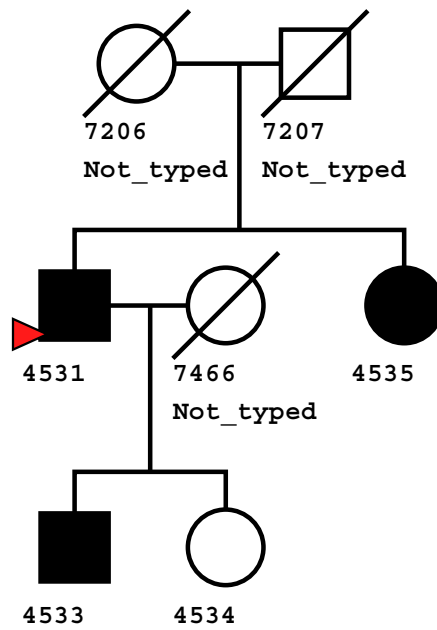
PROBAND

TRAIT

Both

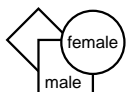
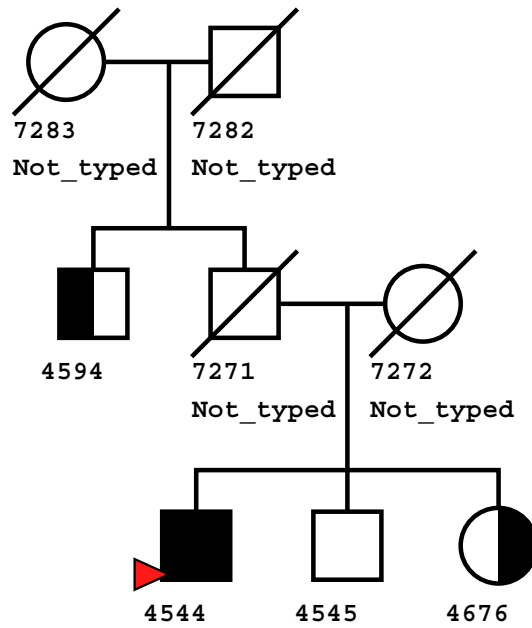
Cholesterol\_Trait

Triglyceride\_Trait





8 individuals



PAT  
TYPED

DEAD

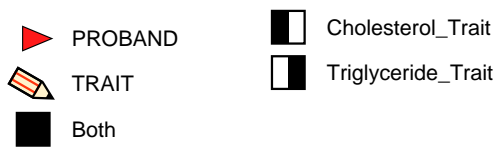
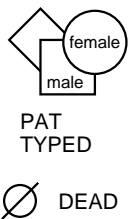
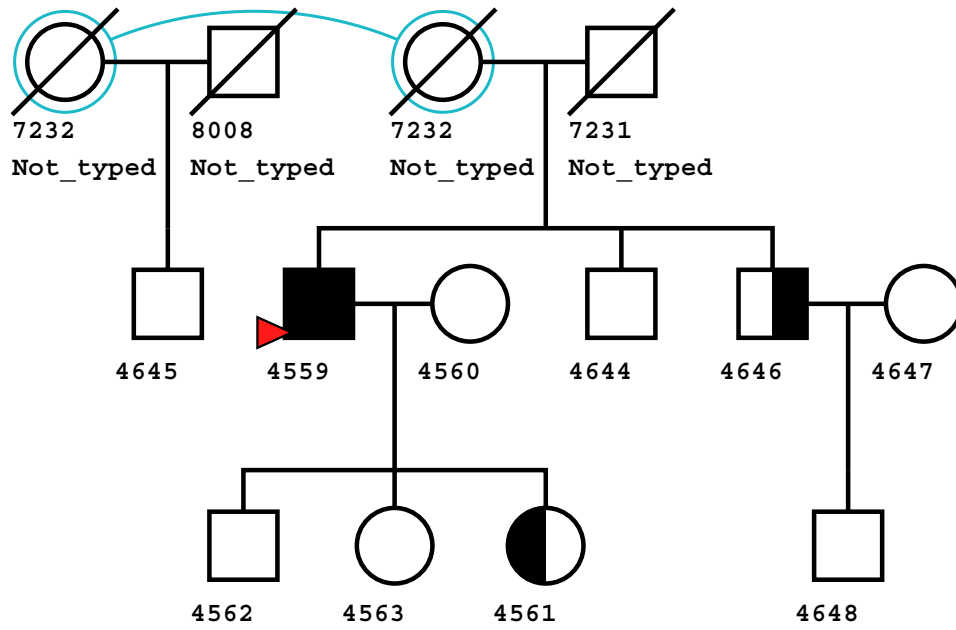
PROBAND

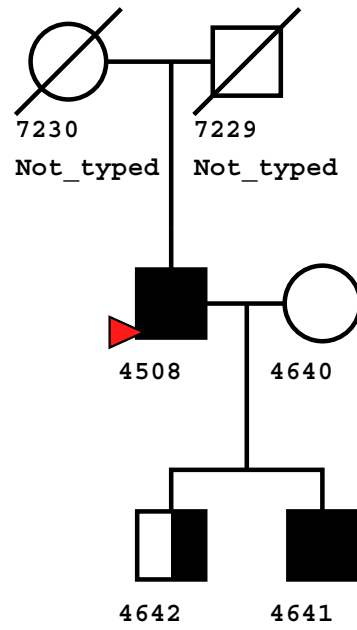
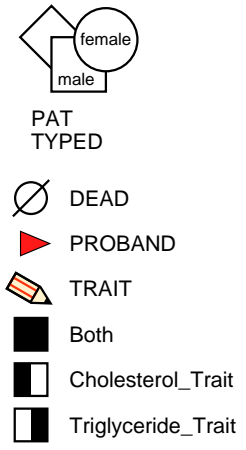
TRAIT

Both

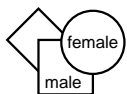
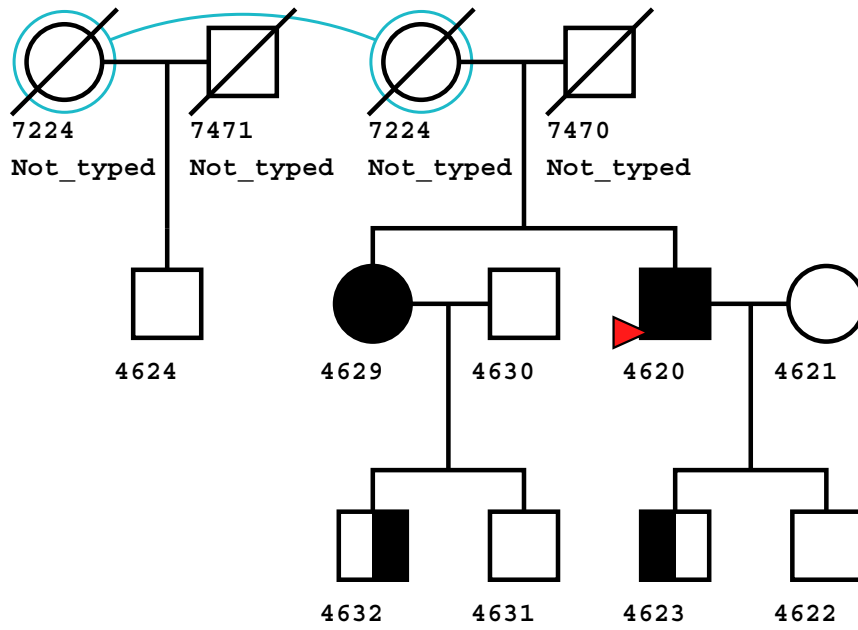
Cholesterol\_Trait

Triglyceride\_Trait





13 individuals



PAT TYPED

DEAD

PROBAND

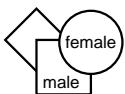
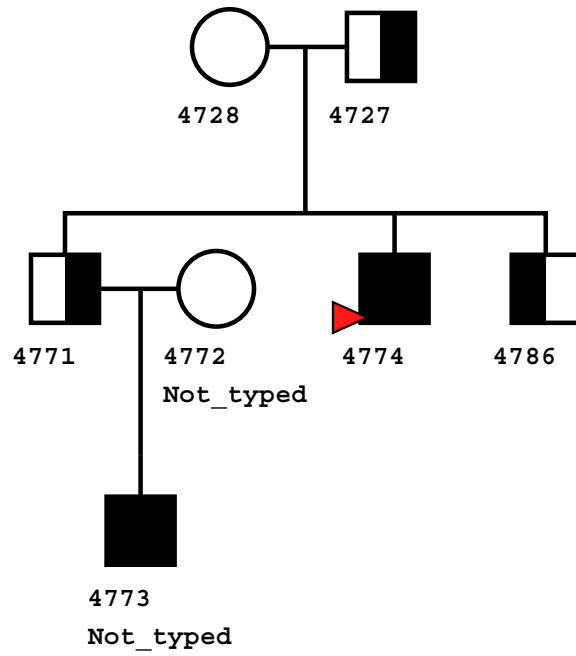
TRAIT

Both

Cholesterol\_Trait

Triglyceride\_Trait

7 individuals



PAT  
TYPED

DEAD

PROBAND

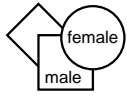
TRAIT

Both

Cholesterol\_Trait

Triglyceride\_Trait

7 individuals



PAT  
TYPED

DEAD

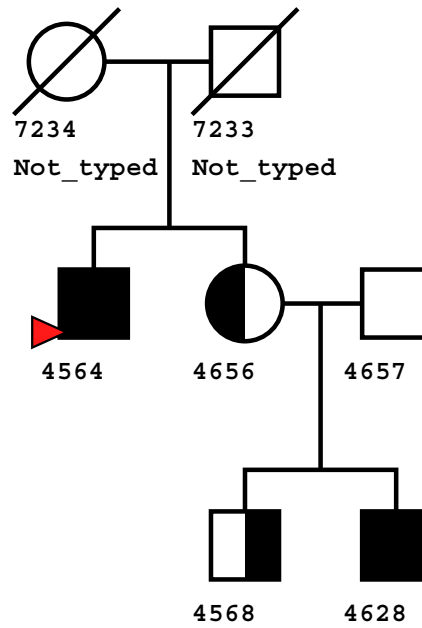
PROBAND

TRAIT

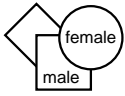
Both

Cholesterol\_Trait

Triglyceride\_Trait



8 individuals



PAT  
TYPED



DEAD



PROBAND



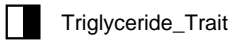
TRAIT



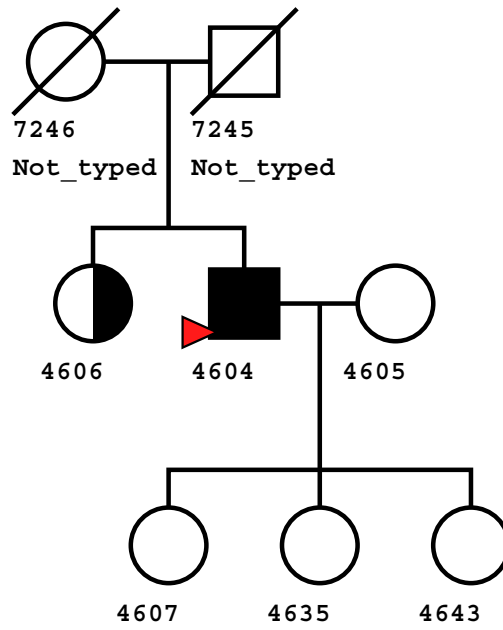
Both

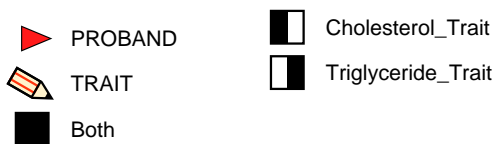
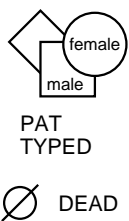
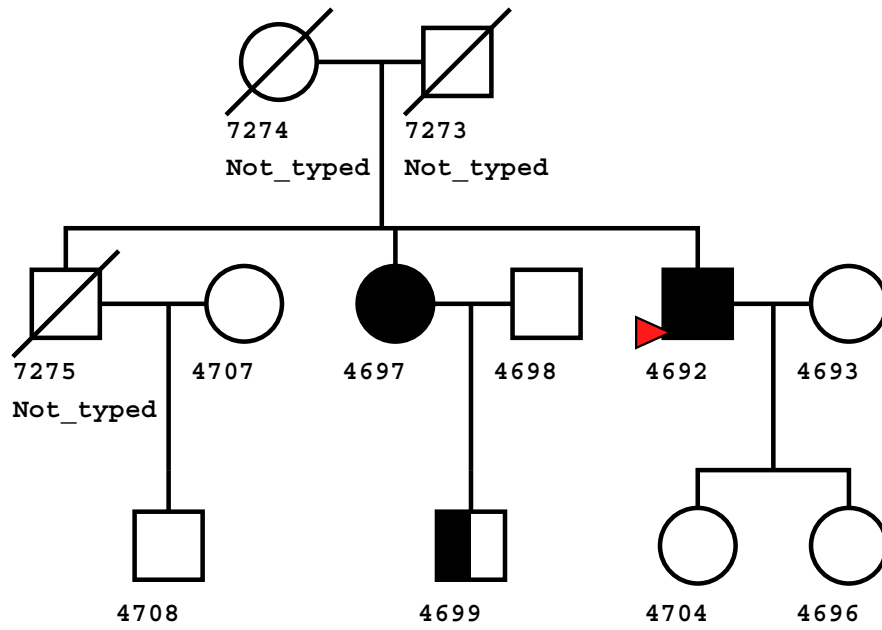


Cholesterol\_Trait



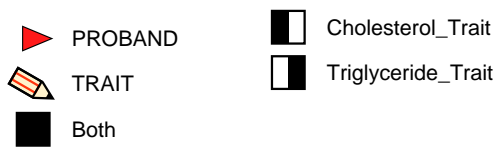
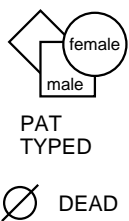
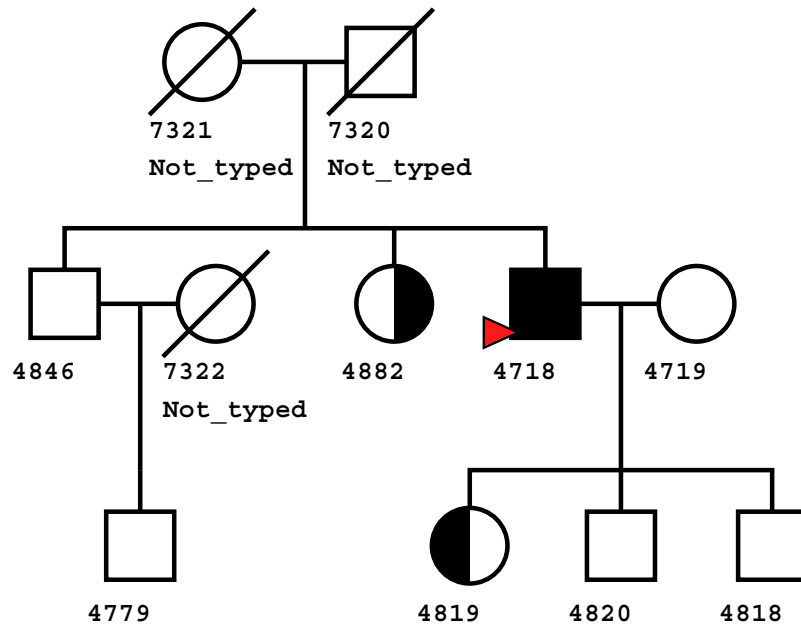
Triglyceride\_Trait

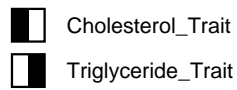
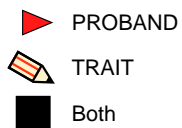
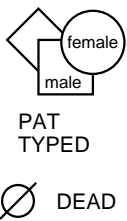
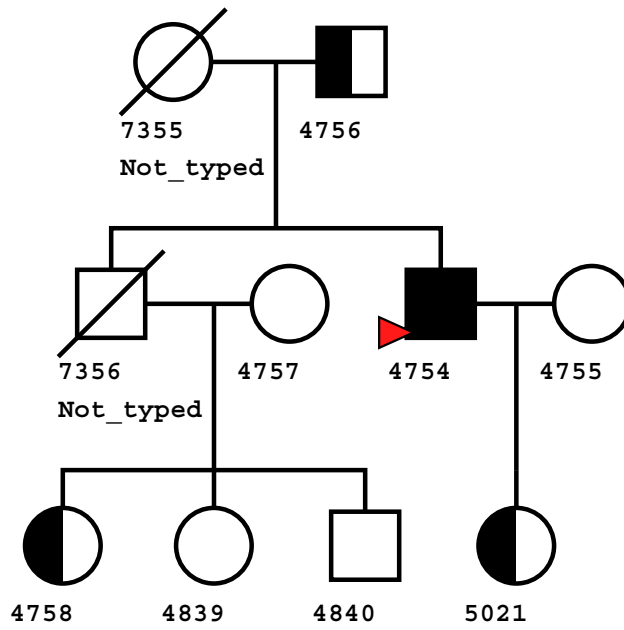




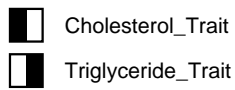
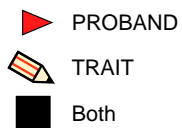
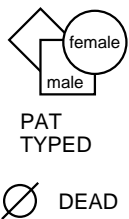
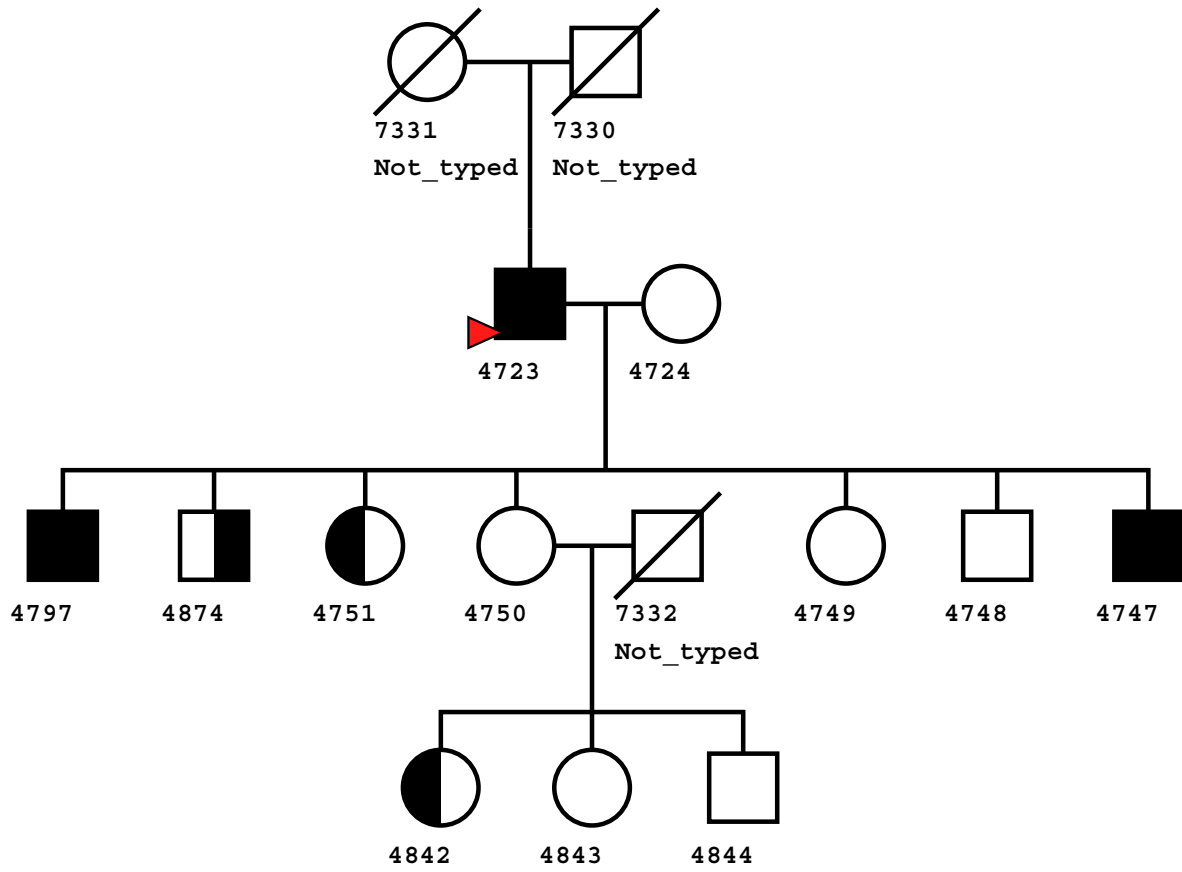


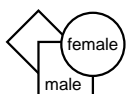
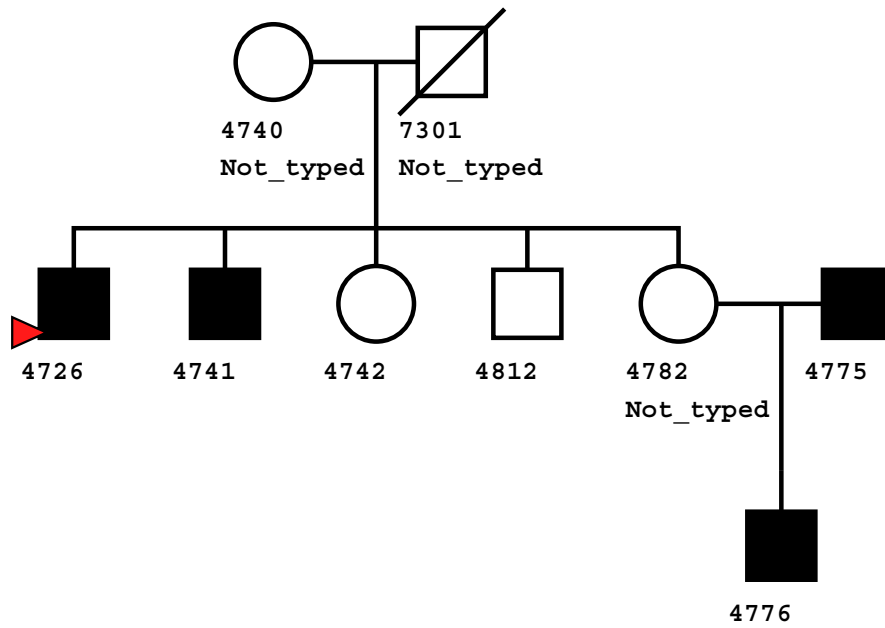
11 individuals





15 individuals





PAT  
TYPED



DEAD

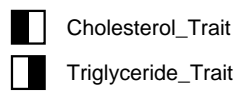
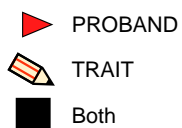
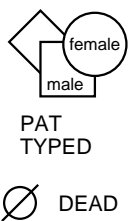
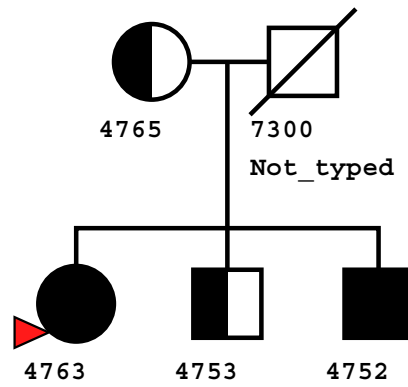
PROBAND

TRAIT

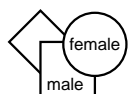
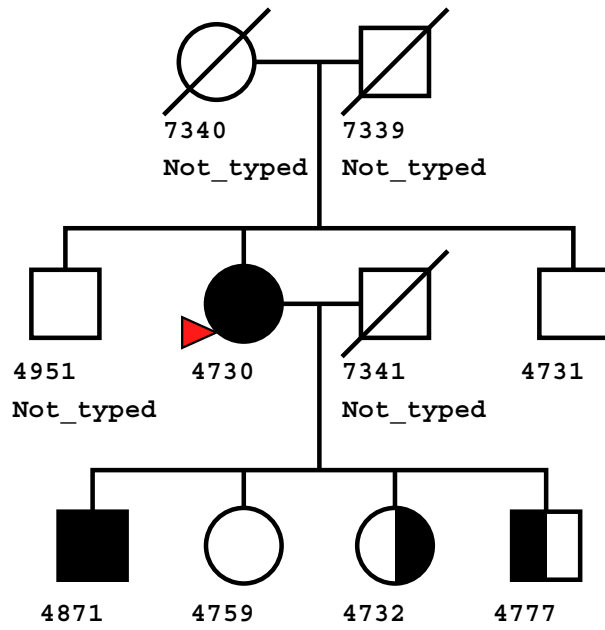
Both

Cholesterol\_Trait

Triglyceride\_Trait



10 individuals



PAT  
TYPED

DEAD

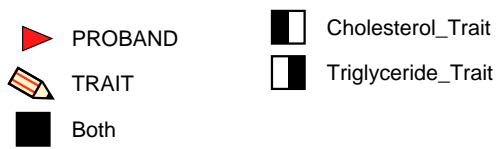
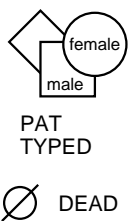
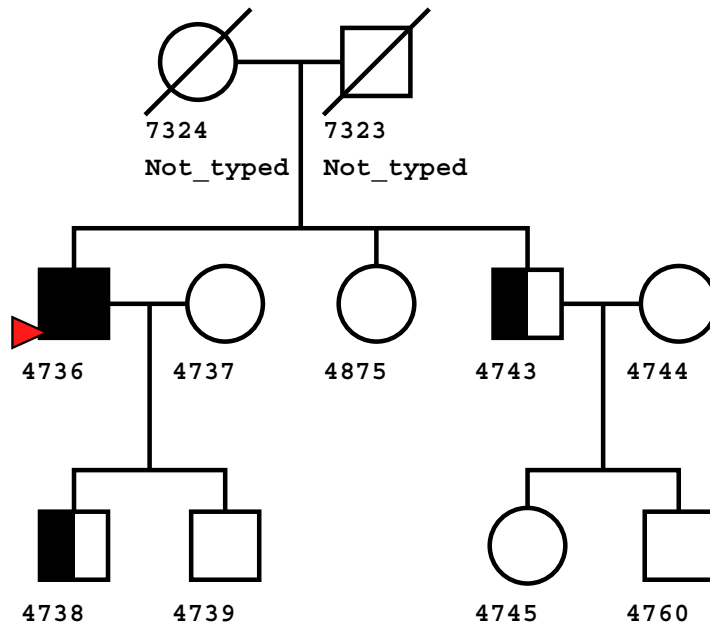
PROBAND

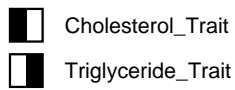
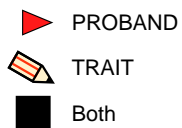
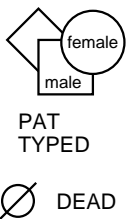
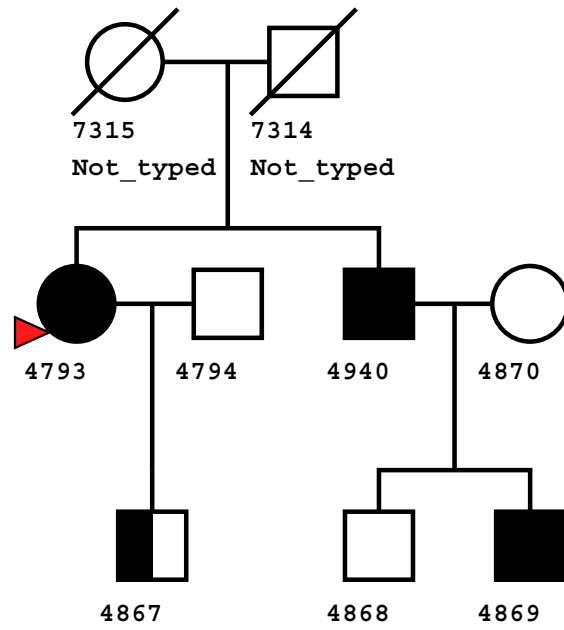
TRAIT

Both

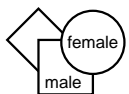
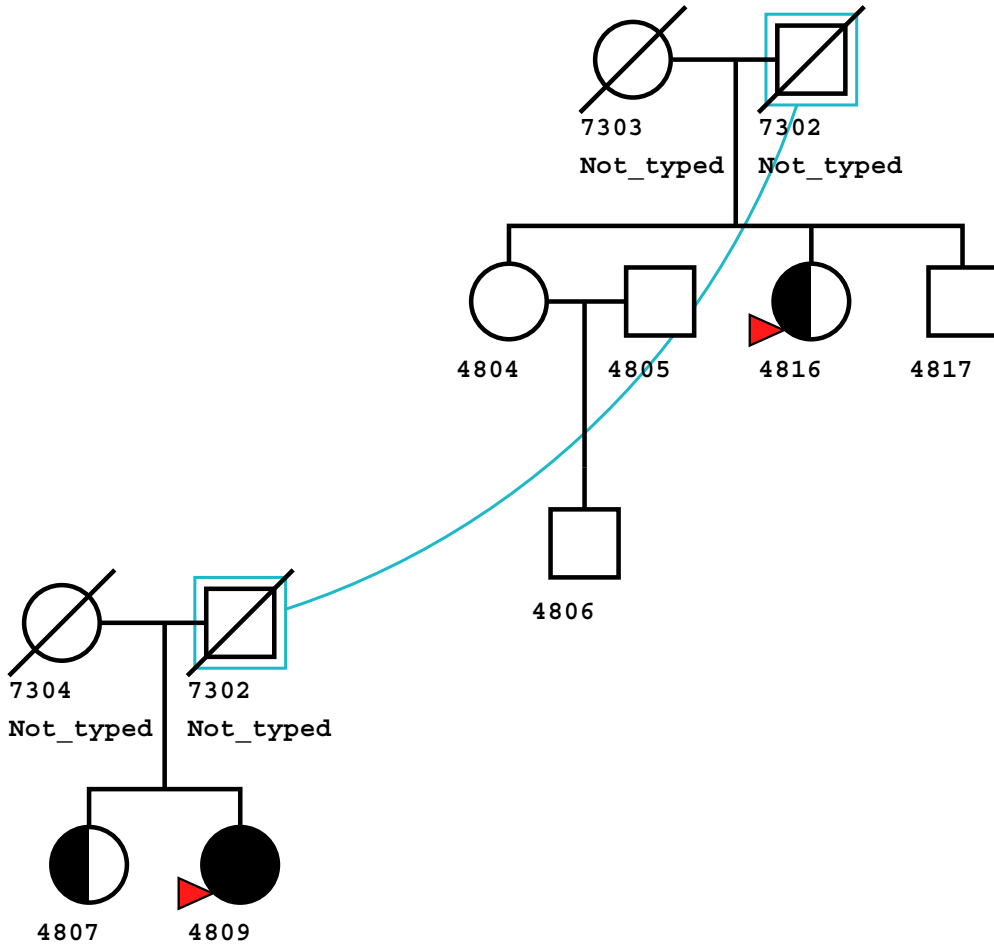
Cholesterol\_Trait

Triglyceride\_Trait









PAT  
TYPED



DEAD



PROBAND



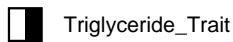
TRAIT



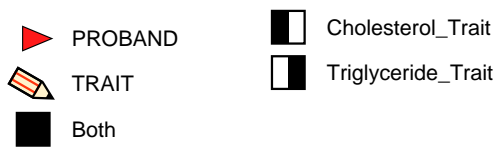
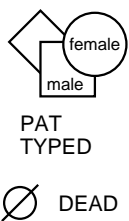
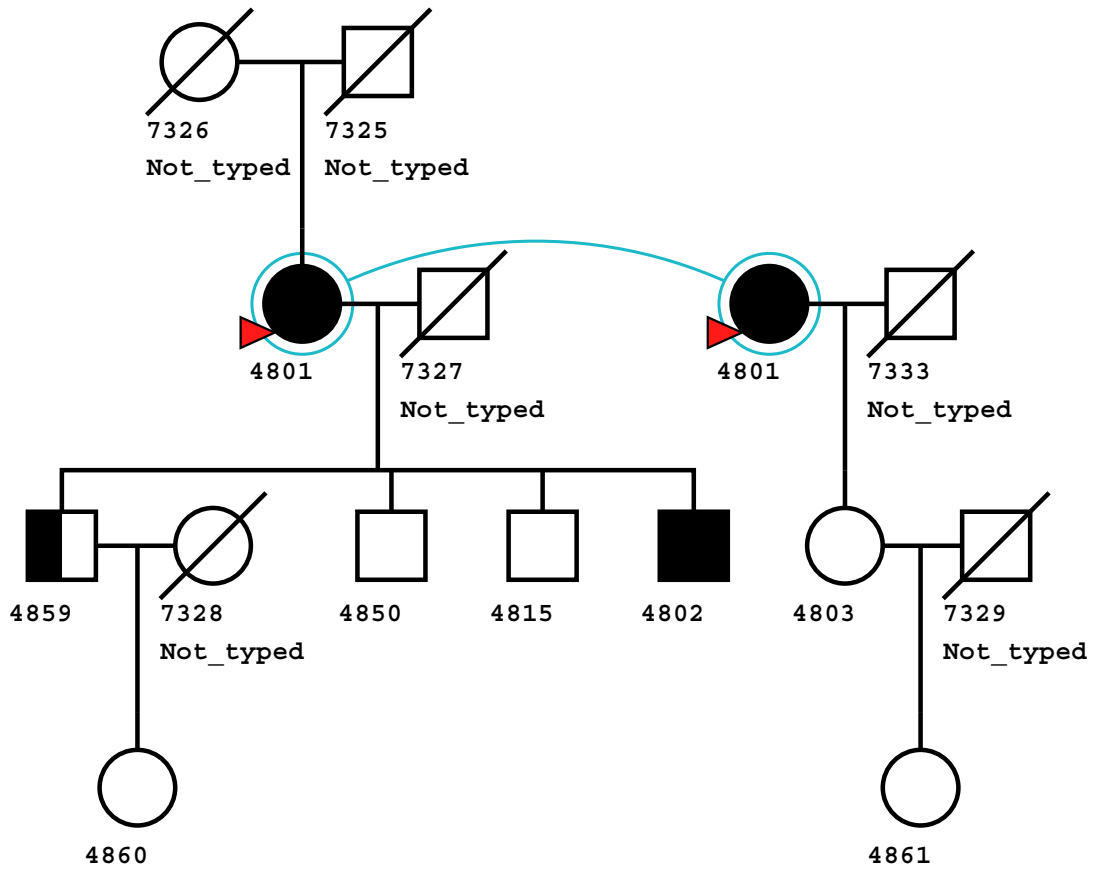
Both

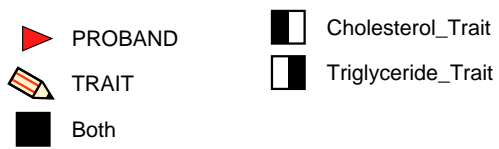
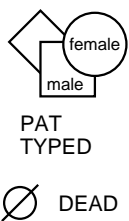
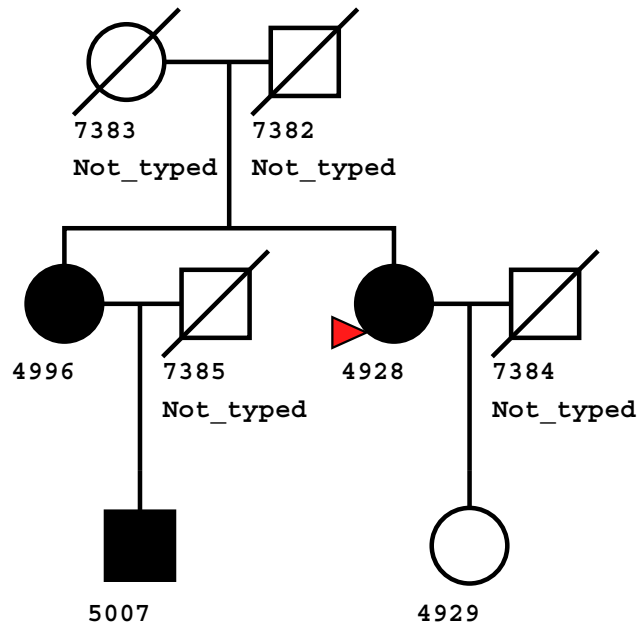


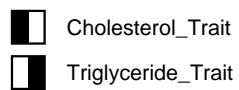
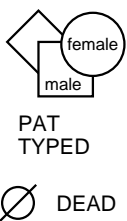
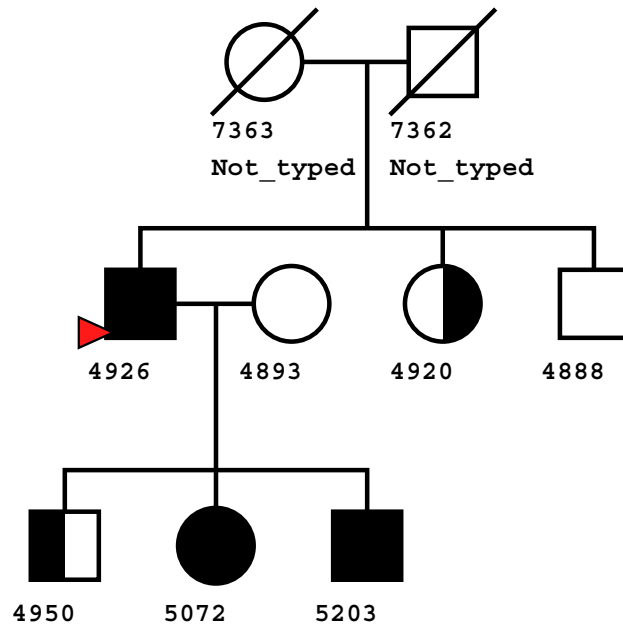
Cholesterol\_Trait

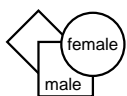
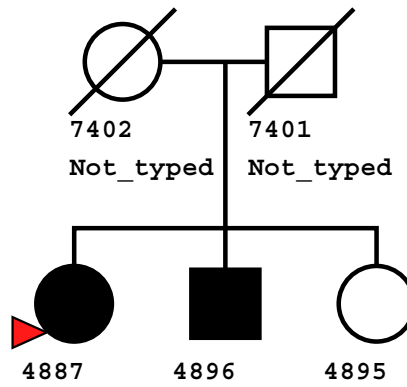


Triglyceride\_Trait









PAT  
TYPED



DEAD



PROBAND



TRAIT



Both

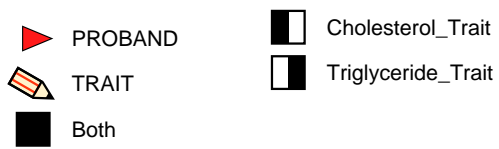
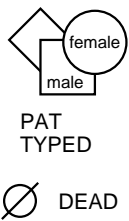
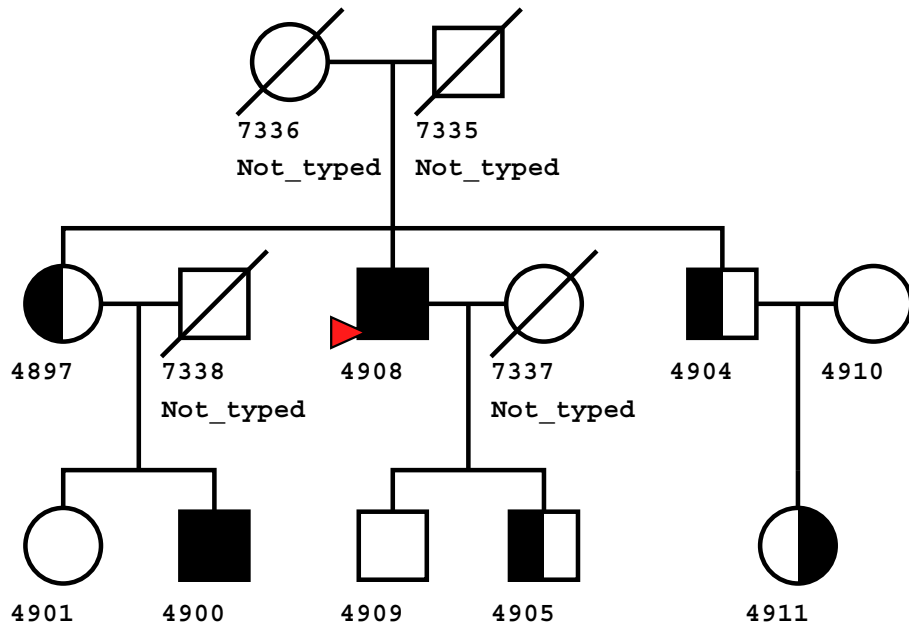


Cholesterol\_Trait

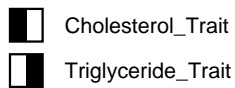
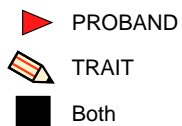
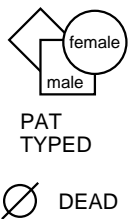
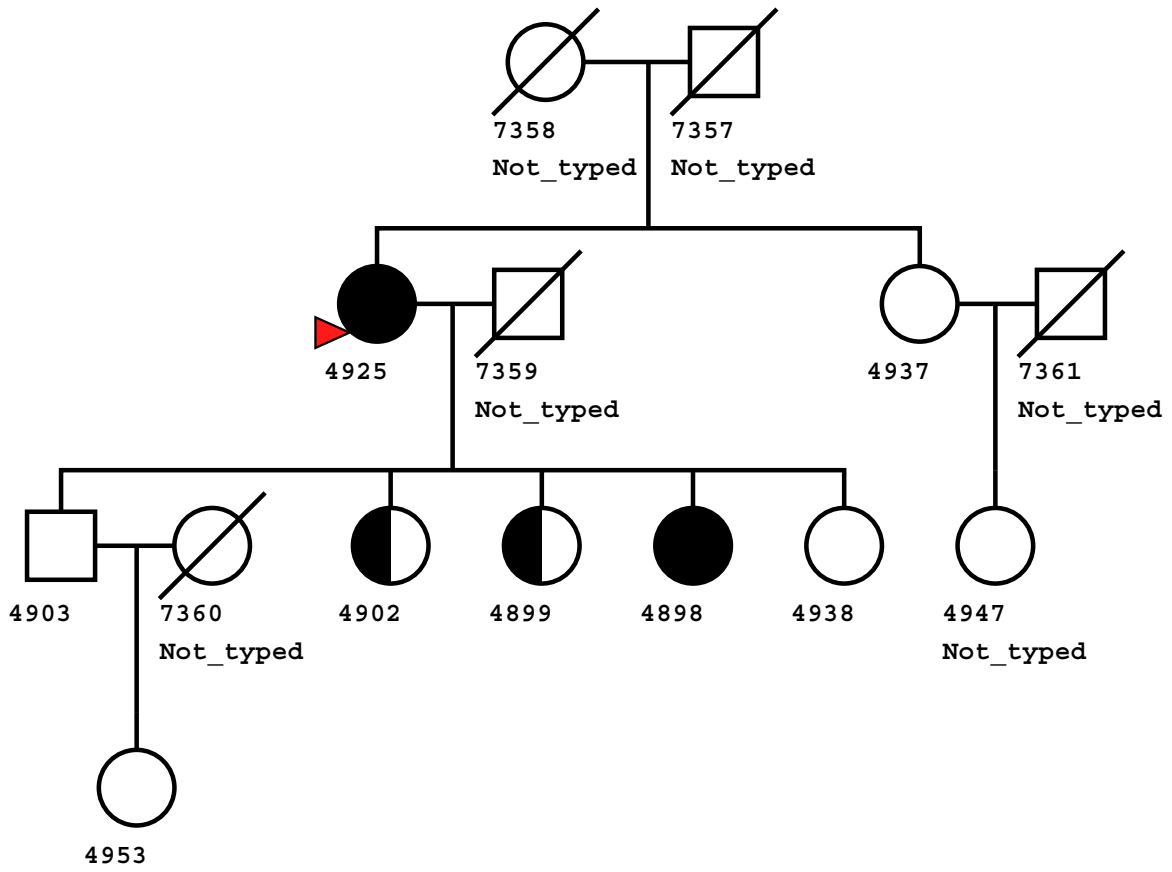


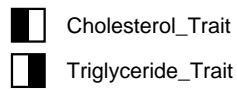
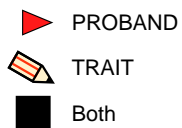
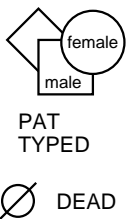
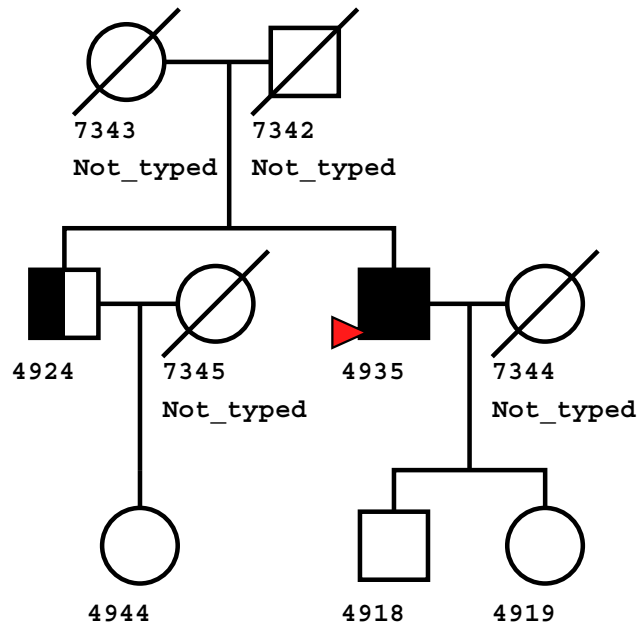
Triglyceride\_Trait

13 individuals



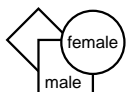
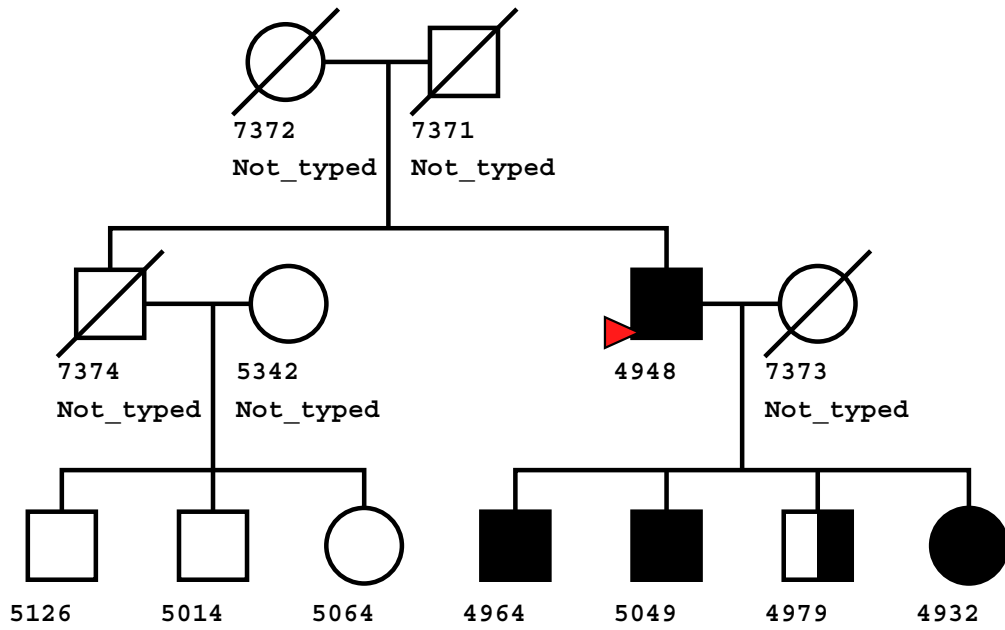
14 individuals







13 individuals



PAT  
TYPED

DEAD

PROBAND

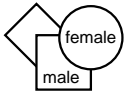
TRAIT

Both

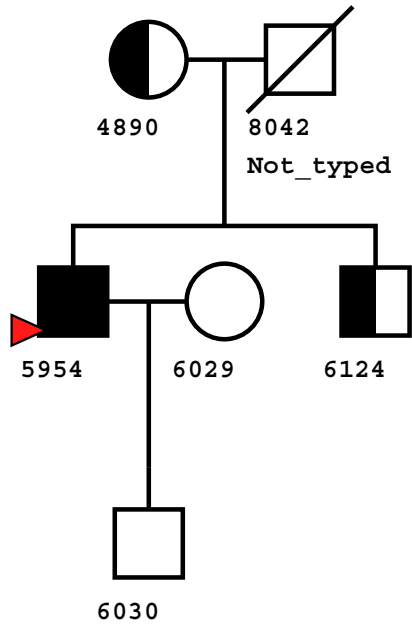
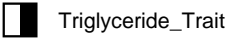
Cholesterol\_Trait

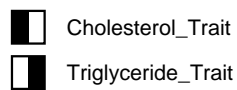
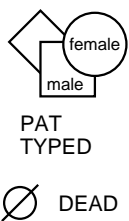
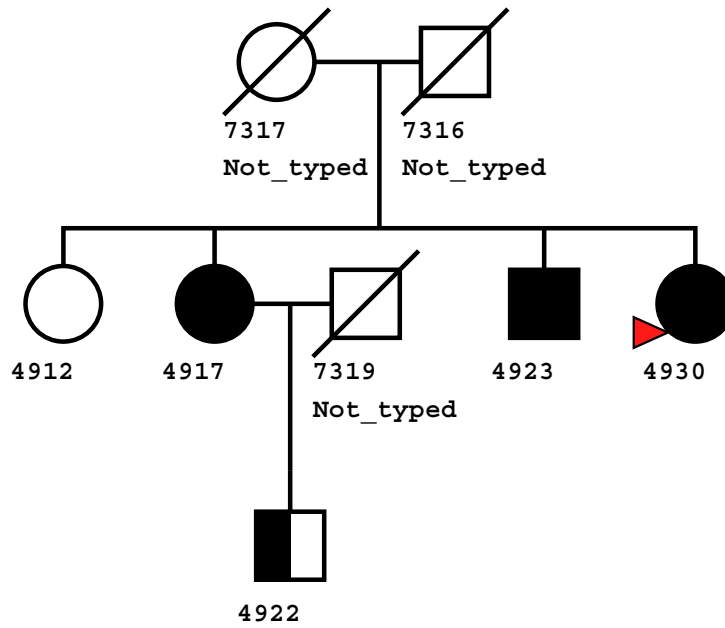
Triglyceride\_Trait

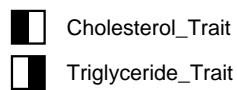
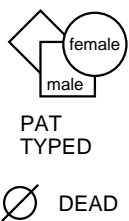
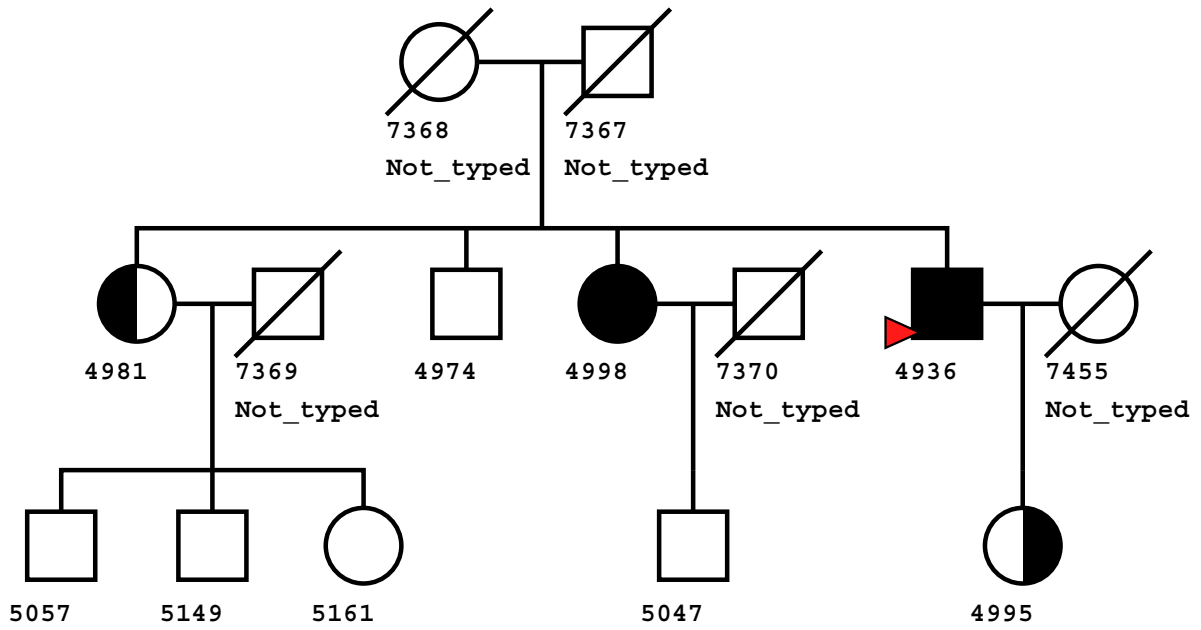
6 individuals



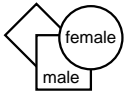
PAT  
TYPED







7 individuals



PAT  
TYPED

DEAD

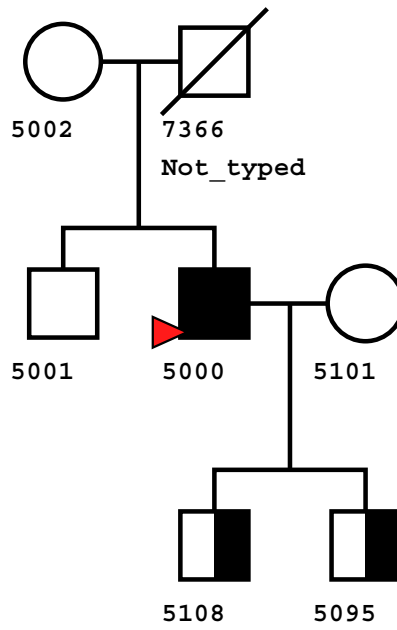
PROBAND

TRAIT

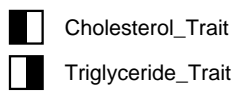
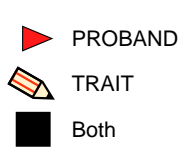
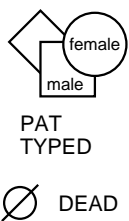
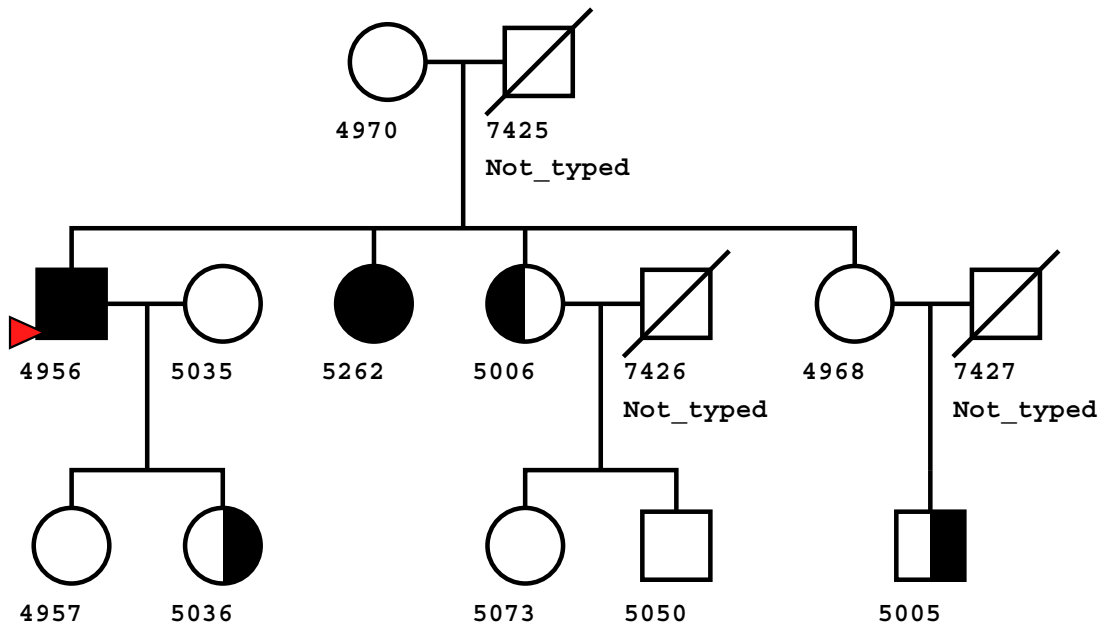
Both

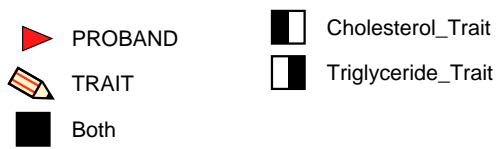
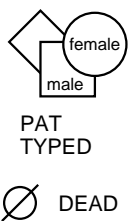
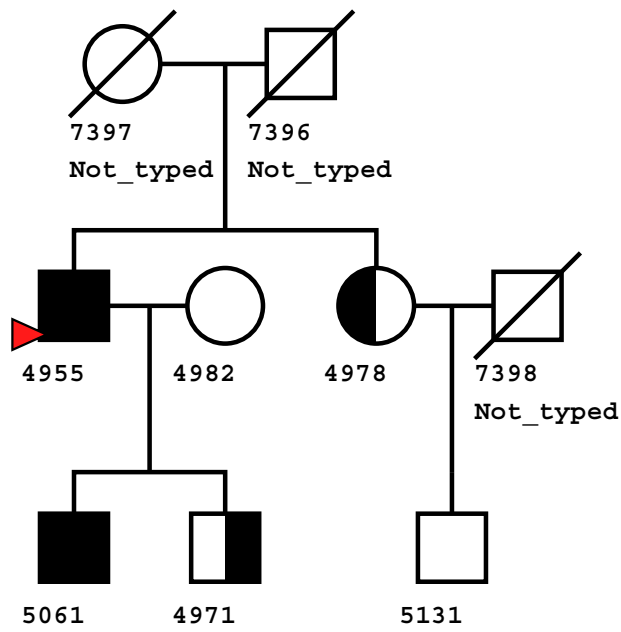
Cholesterol\_Trait

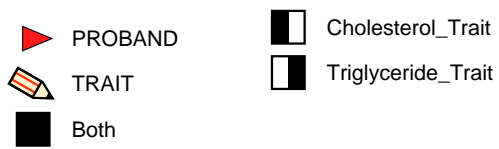
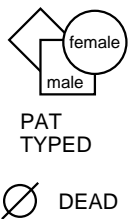
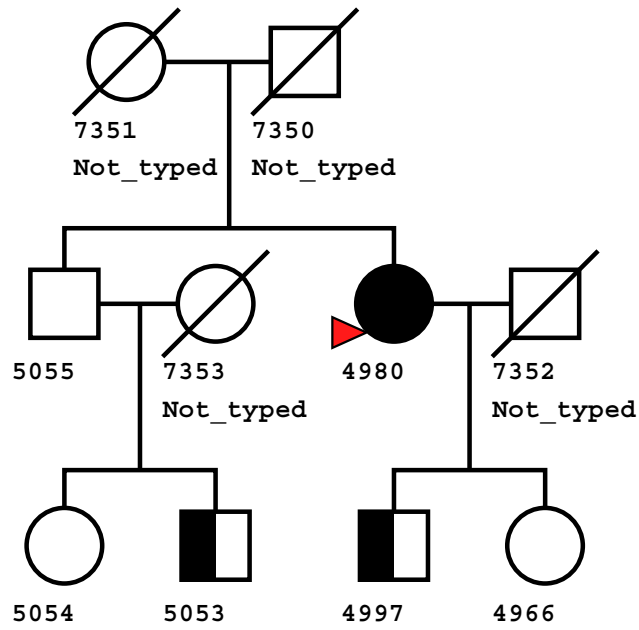
Triglyceride\_Trait



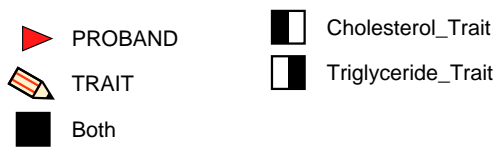
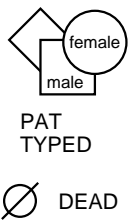
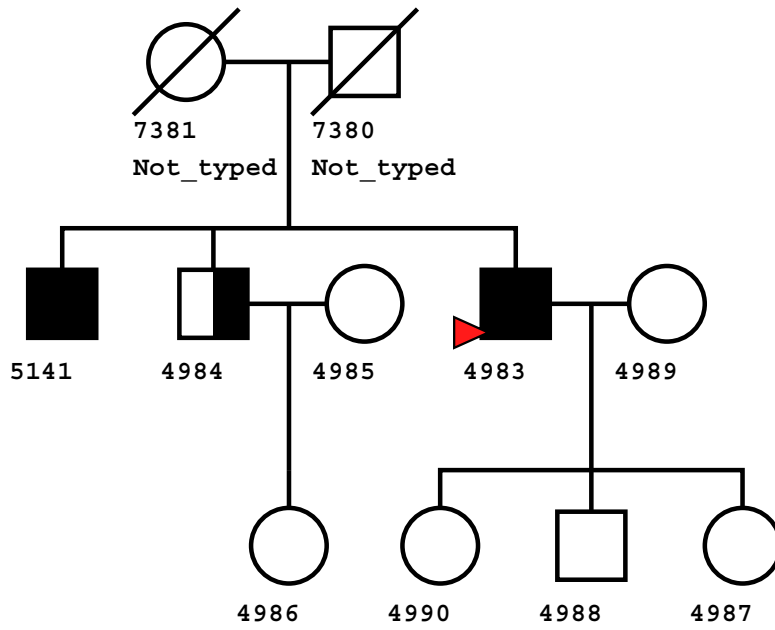
14 individuals

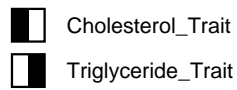
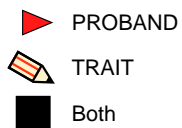
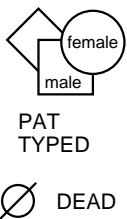
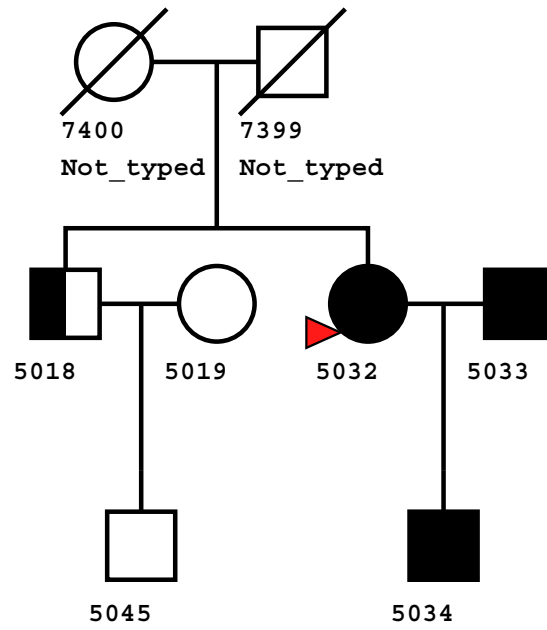


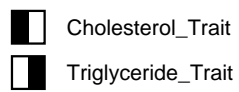
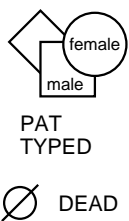
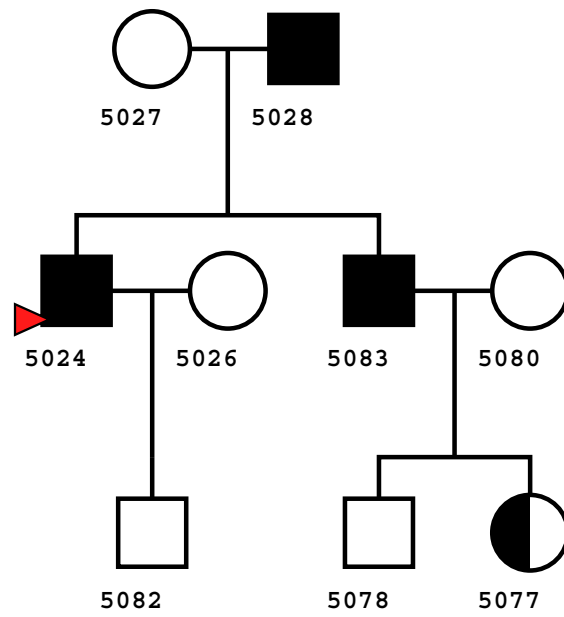


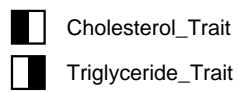
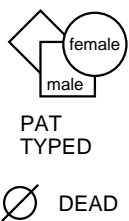
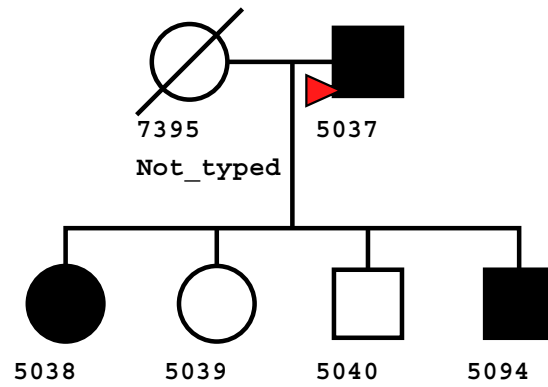


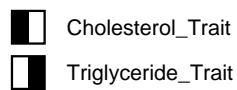
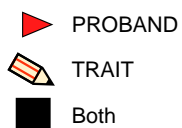
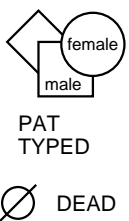
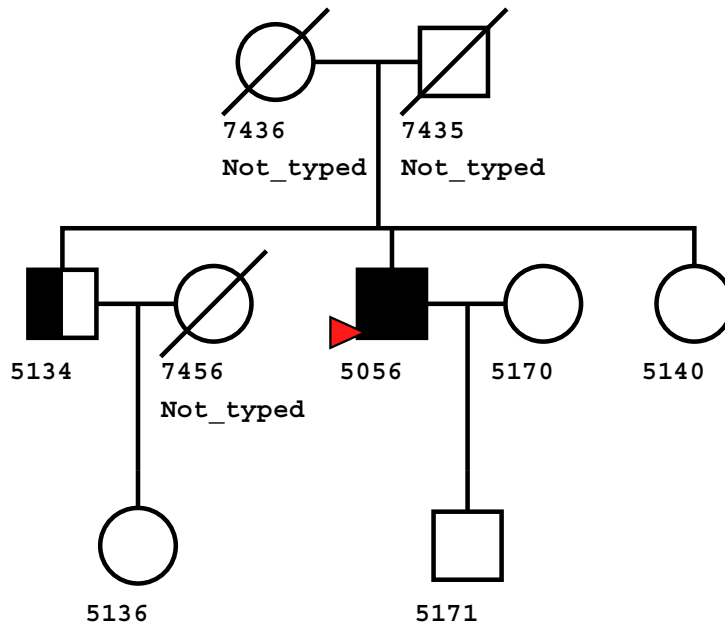


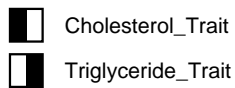
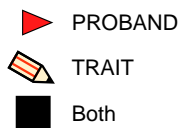
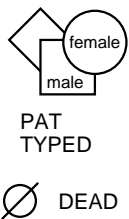
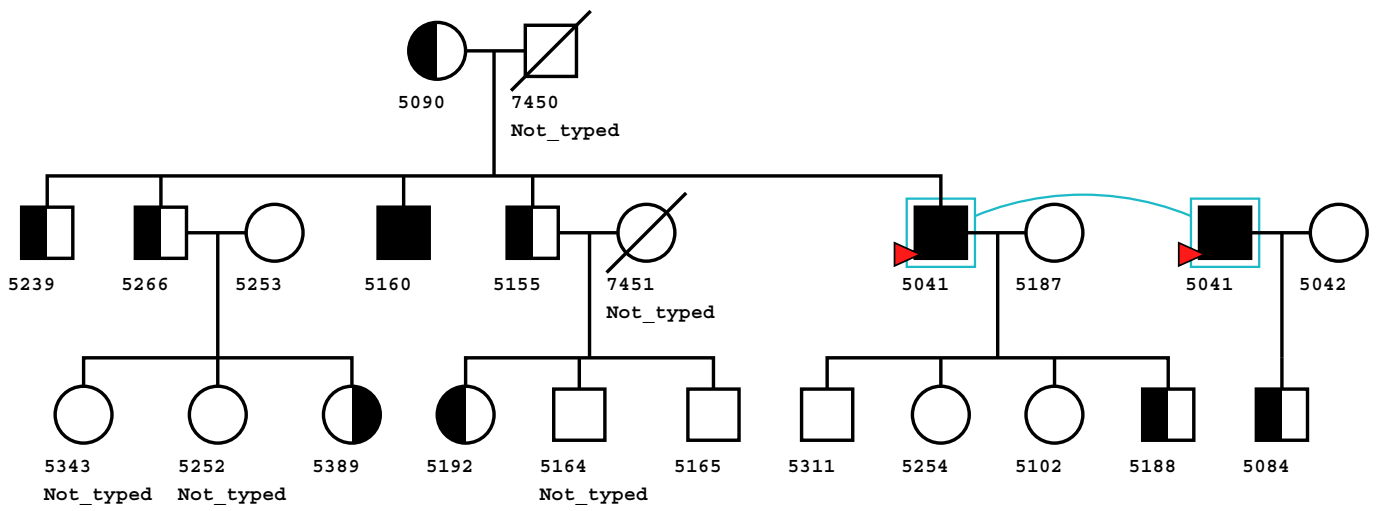


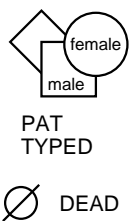
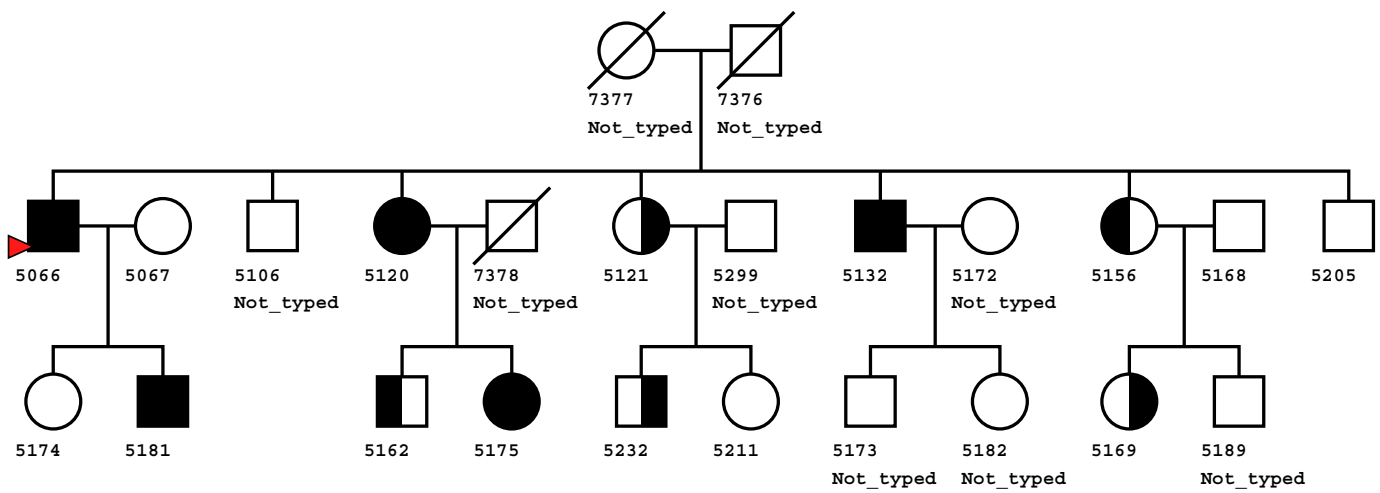






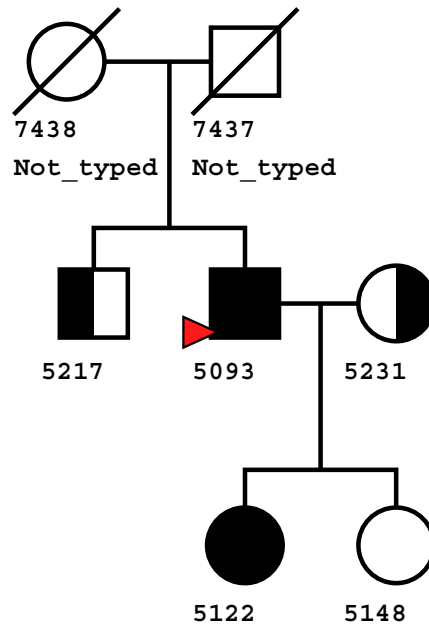
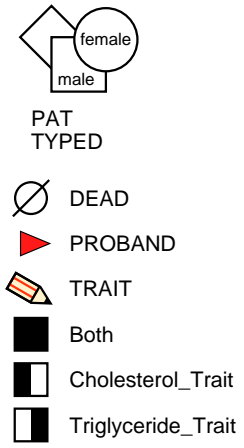




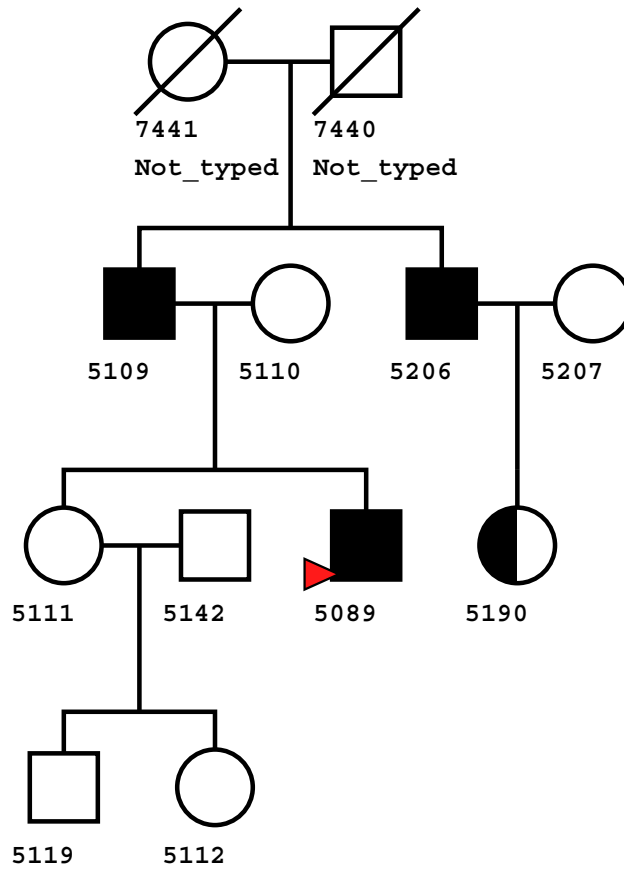
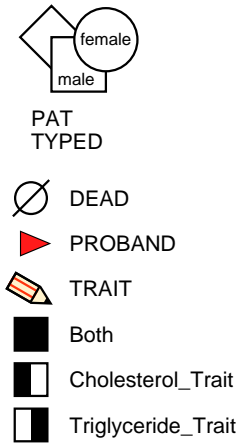


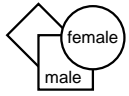
- PROBAND
- TRAIT
- Both

- Cholesterol\_Trait
- Triglyceride\_Trait

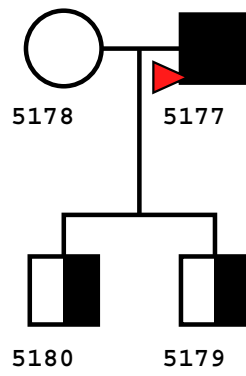
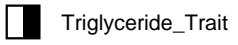


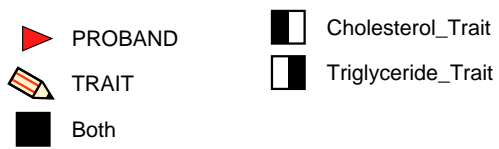
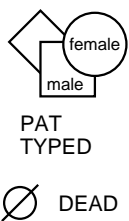
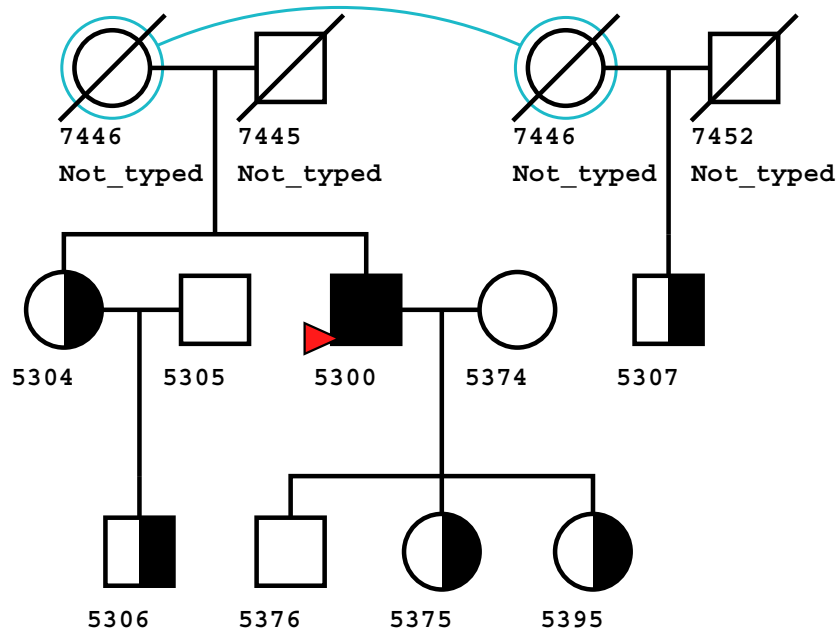


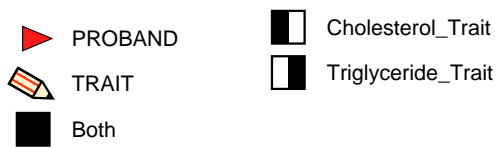
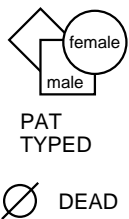
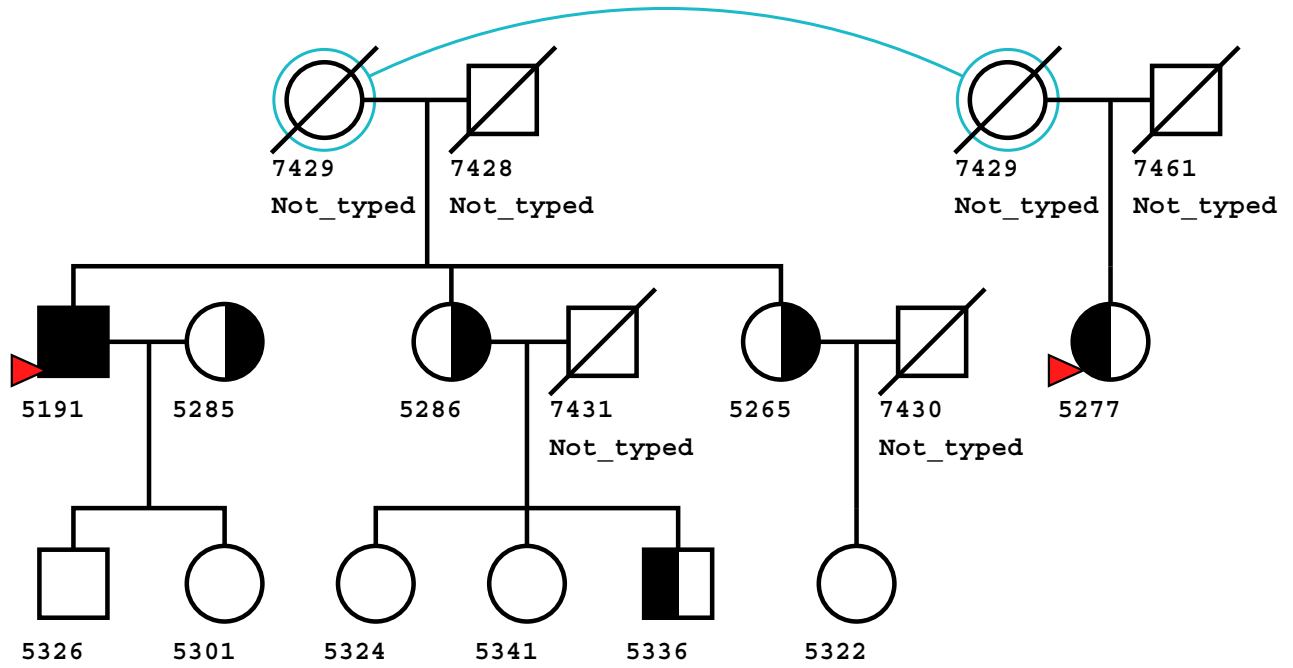


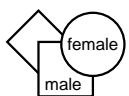
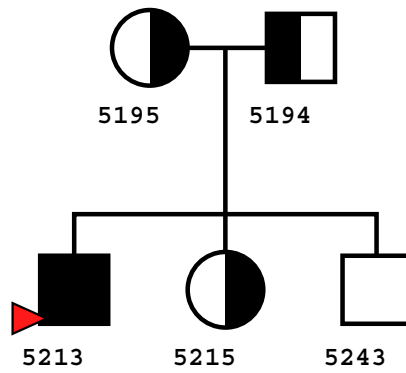


PAT  
TYPED









PAT  
TYPED

DEAD

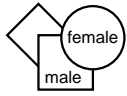
PROBAND

TRAIT

Both

Cholesterol\_Trait

Triglyceride\_Trait



PAT  
TYPED



DEAD



PROBAND



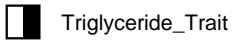
TRAIT



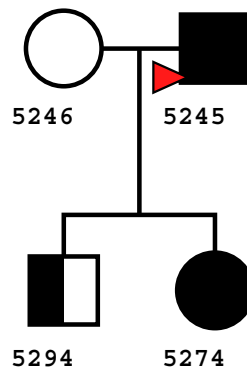
Both

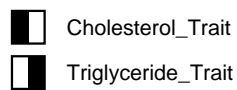
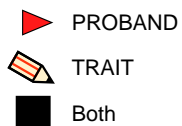
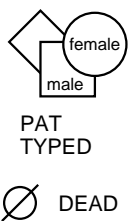
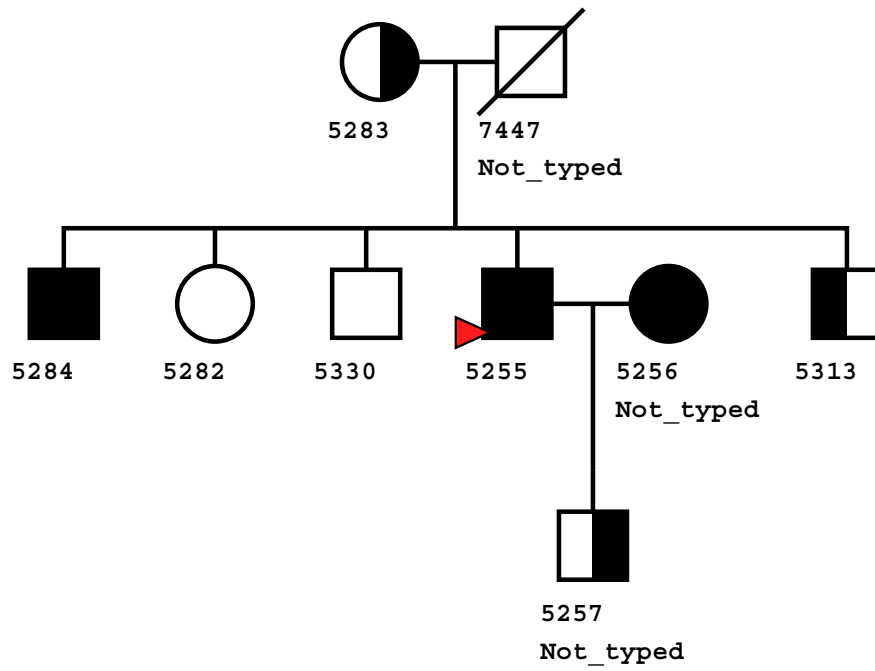


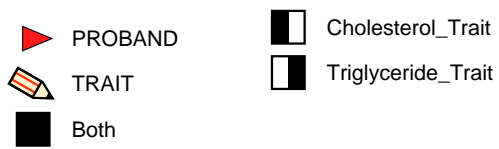
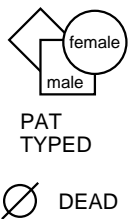
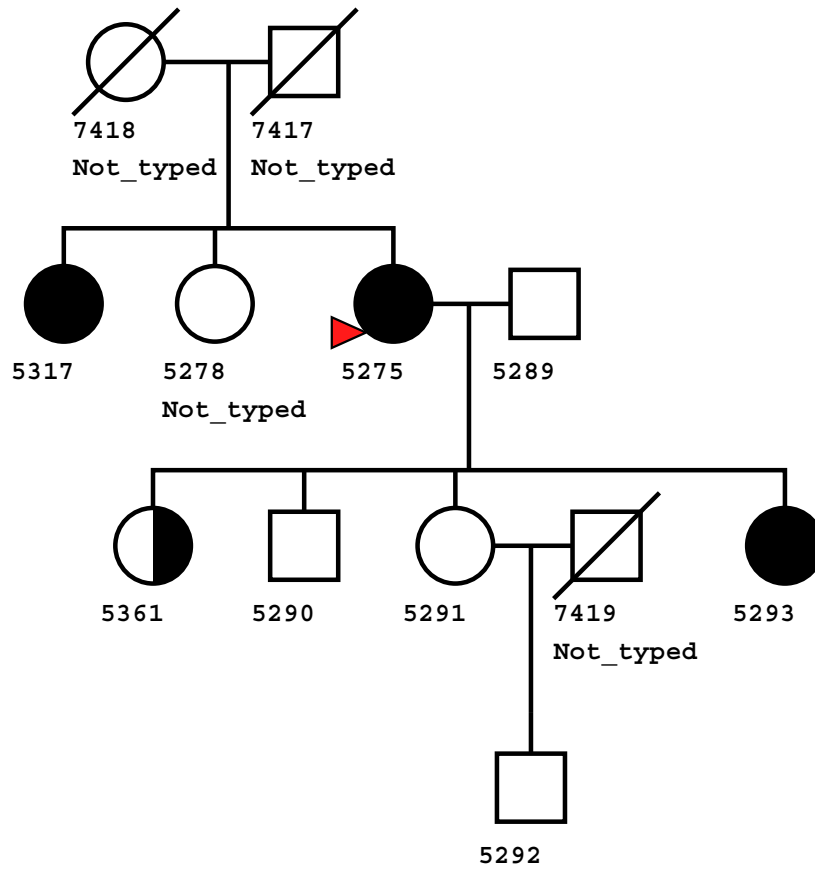
Cholesterol\_Trait



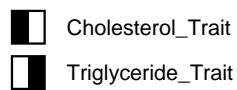
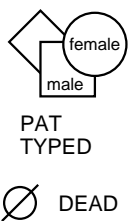
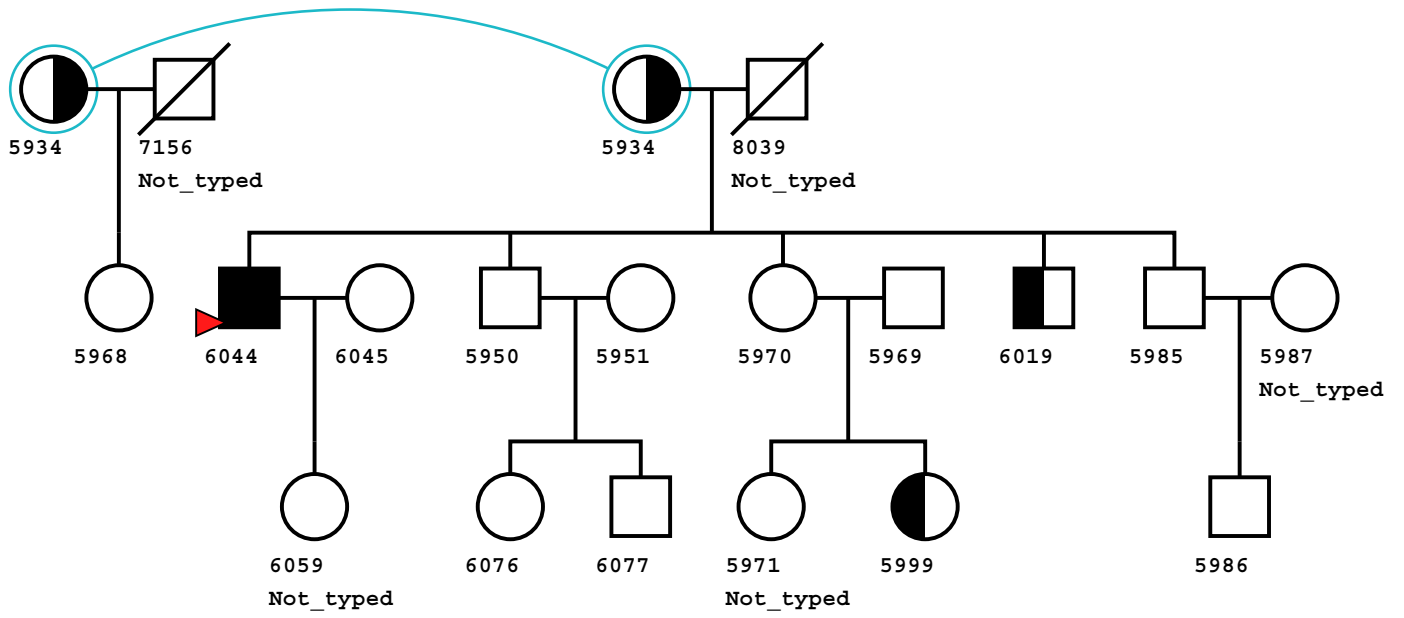
Triglyceride\_Trait

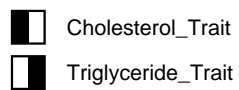
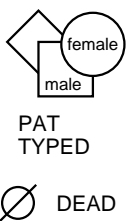
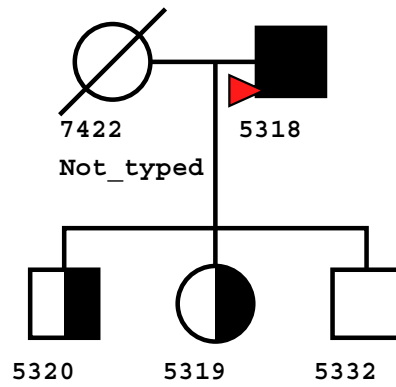


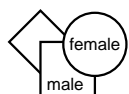
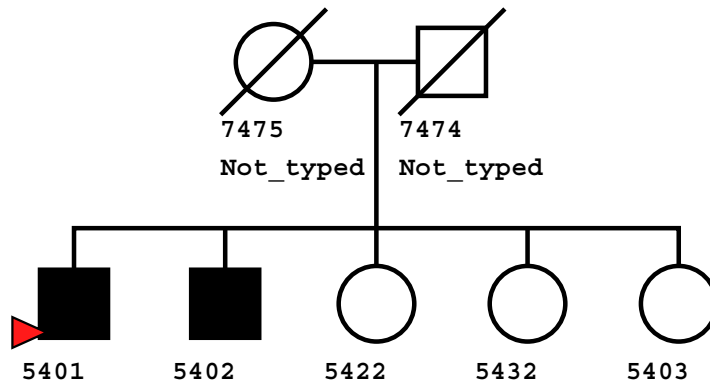












PAT  
TYPED



DEAD



PROBAND



TRAIT



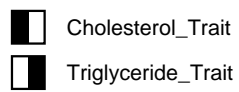
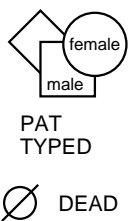
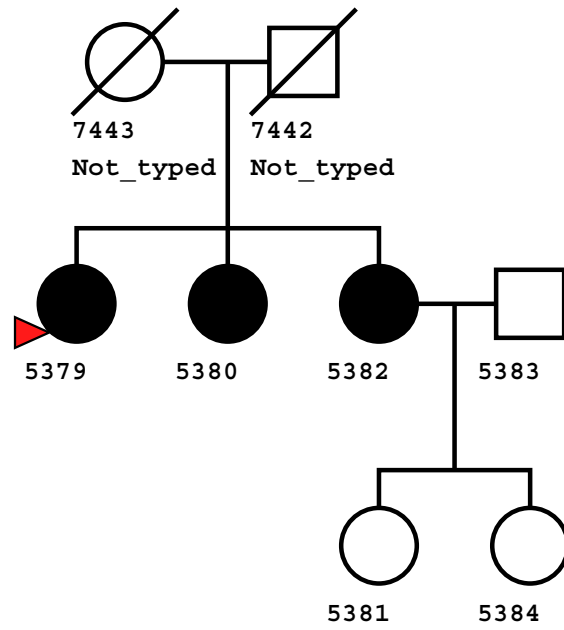
Both

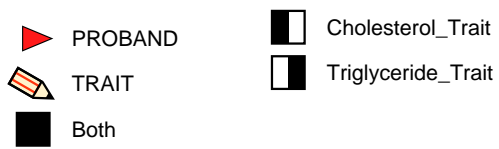
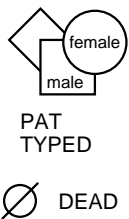
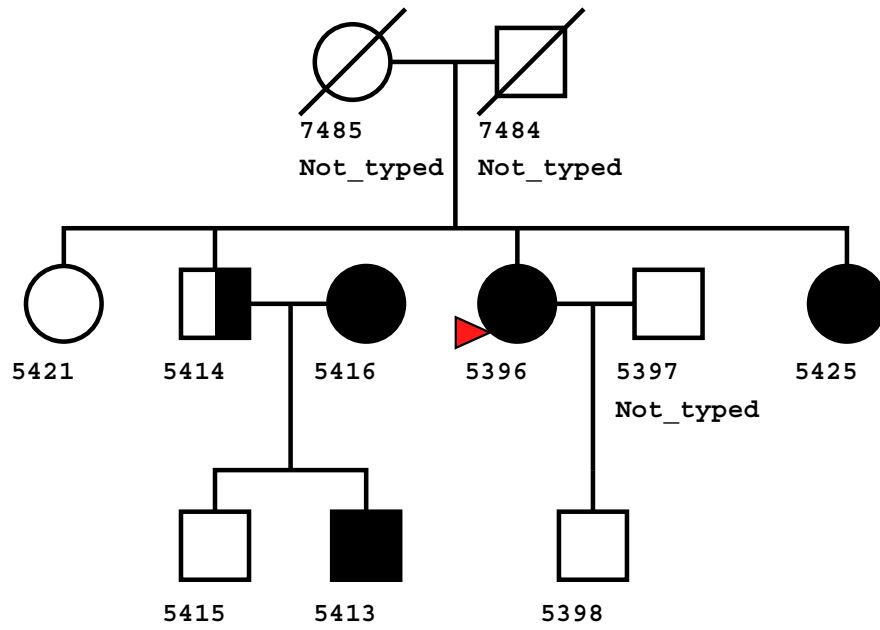


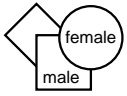
Cholesterol\_Trait



Triglyceride\_Trait







PAT  
TYPED

DEAD

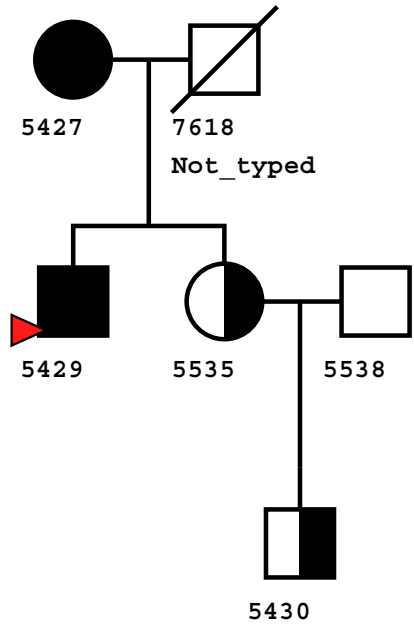
PROBAND

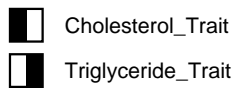
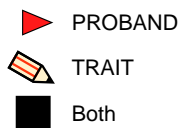
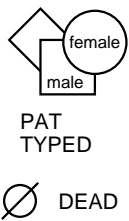
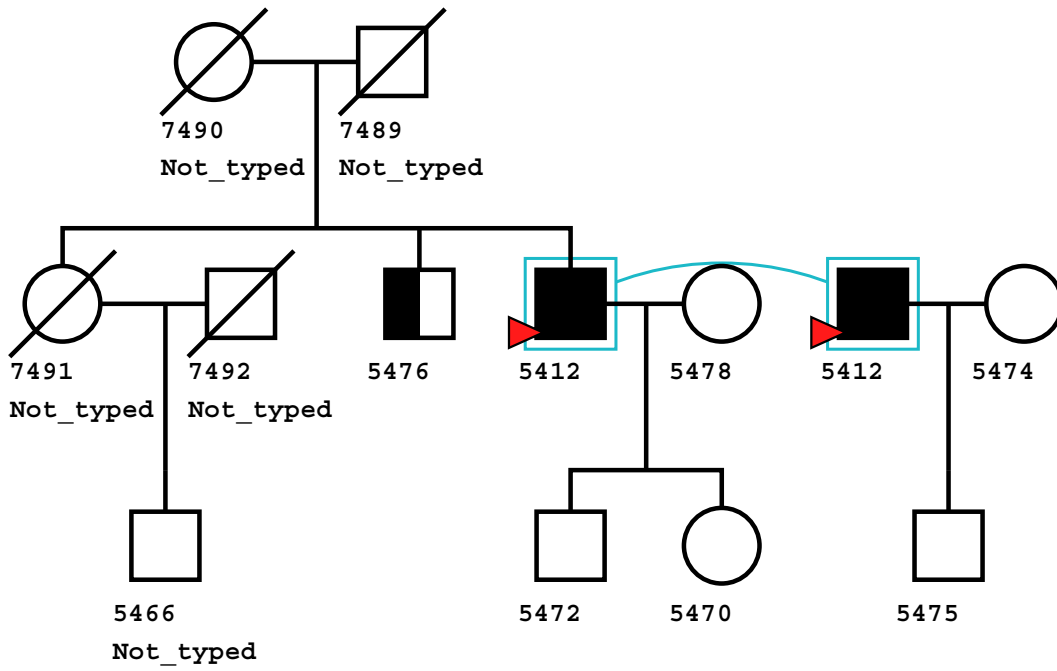
TRAIT

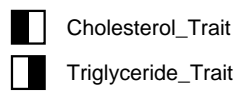
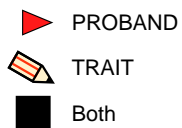
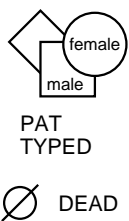
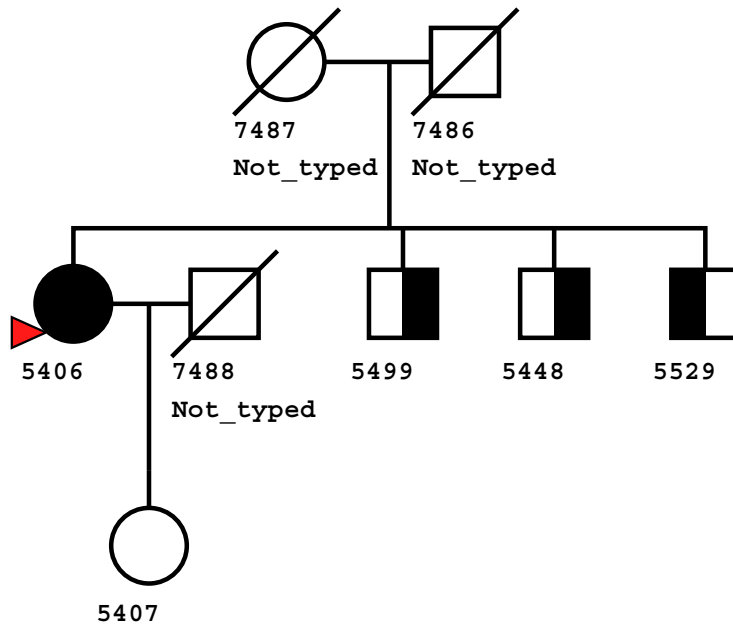
Both

Cholesterol\_Trait

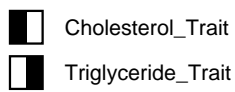
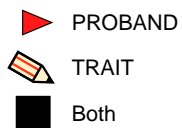
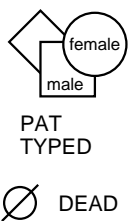
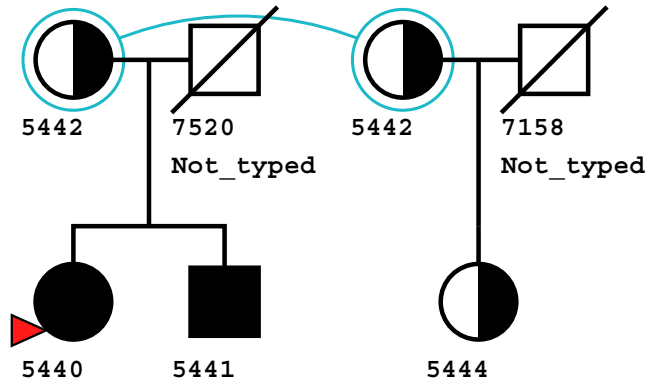
Triglyceride\_Trait

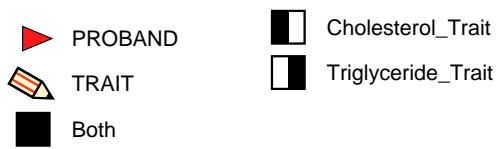
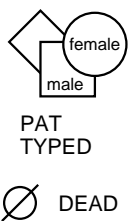
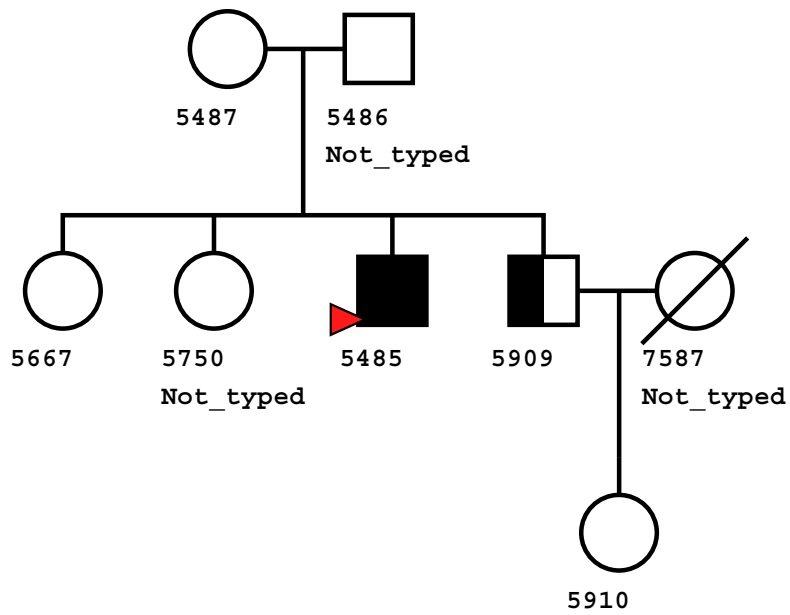


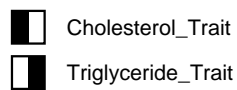
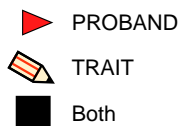
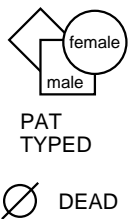
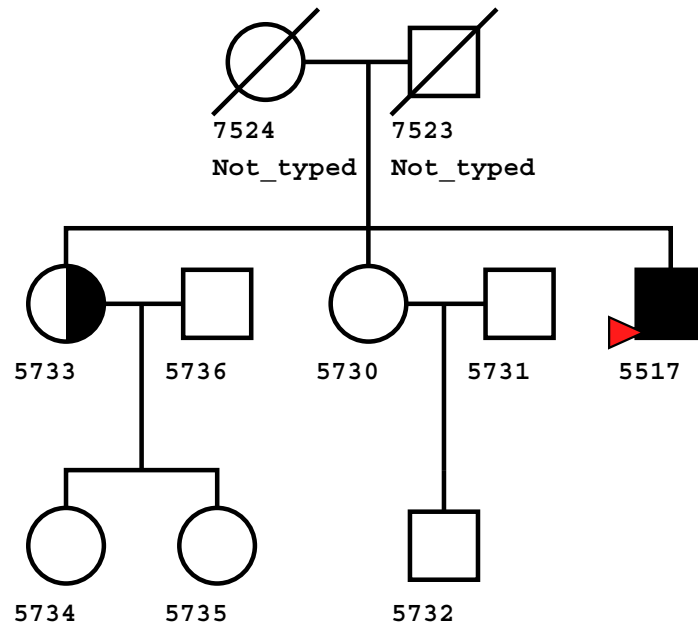


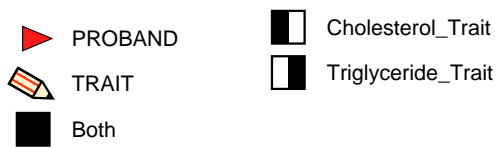
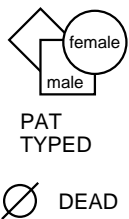
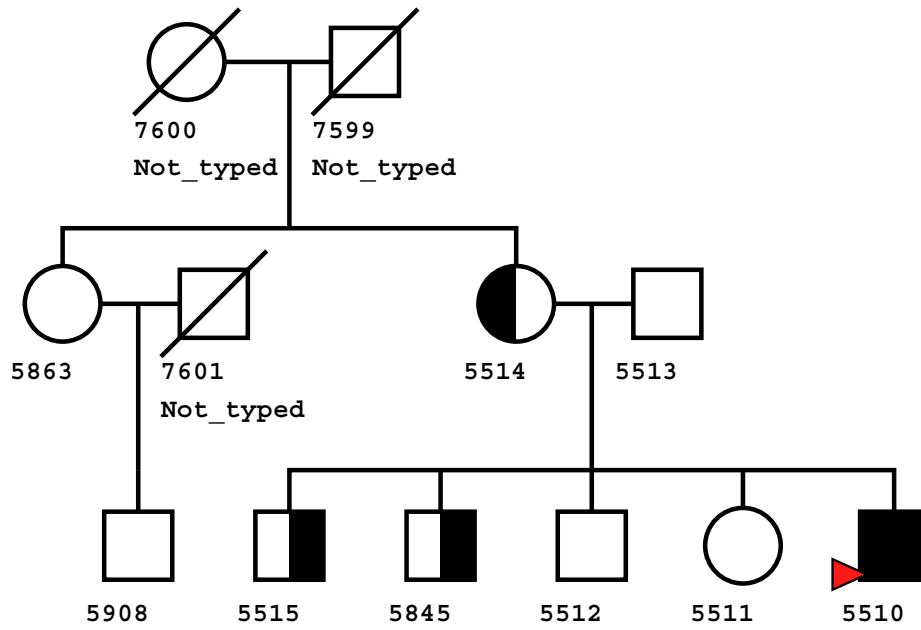


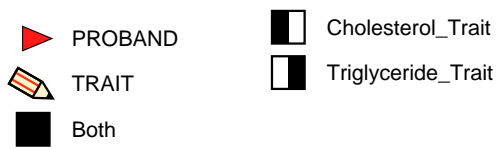
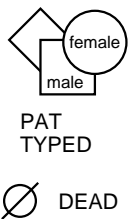
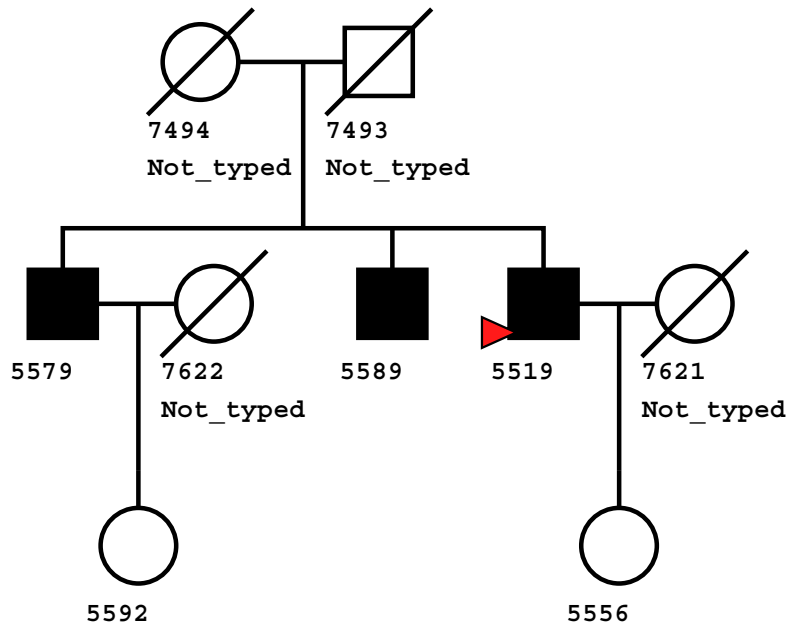


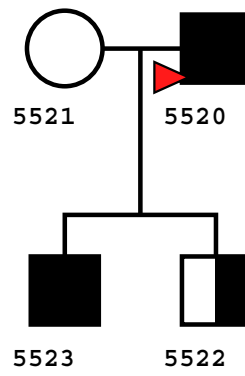
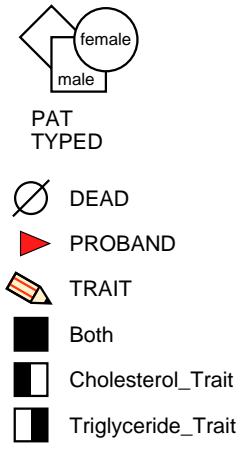


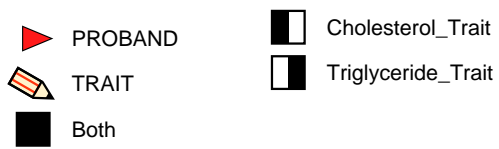
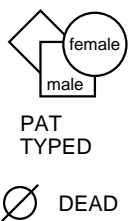
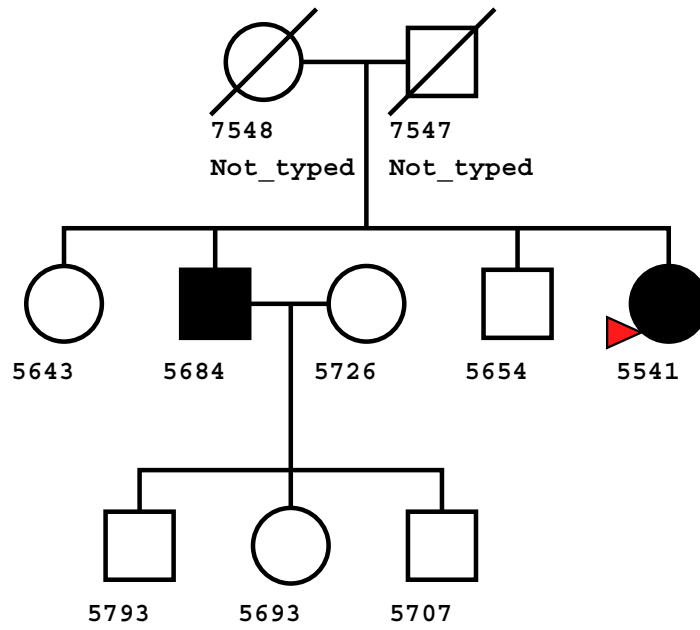


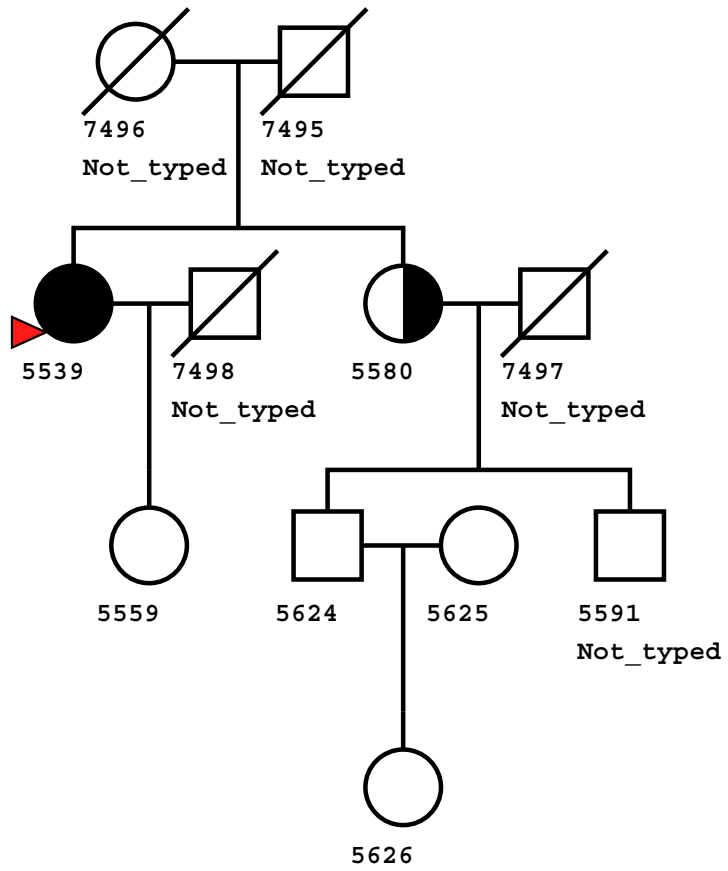
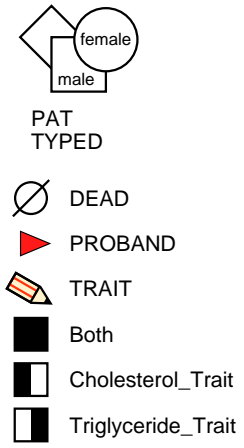




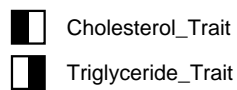
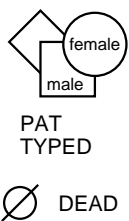
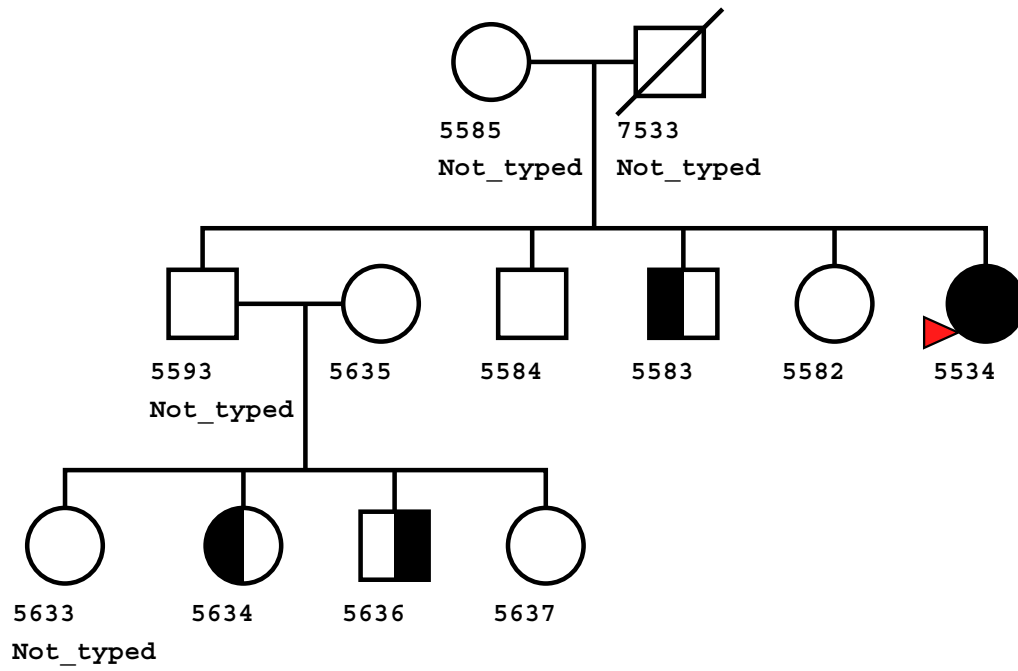


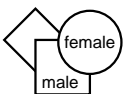
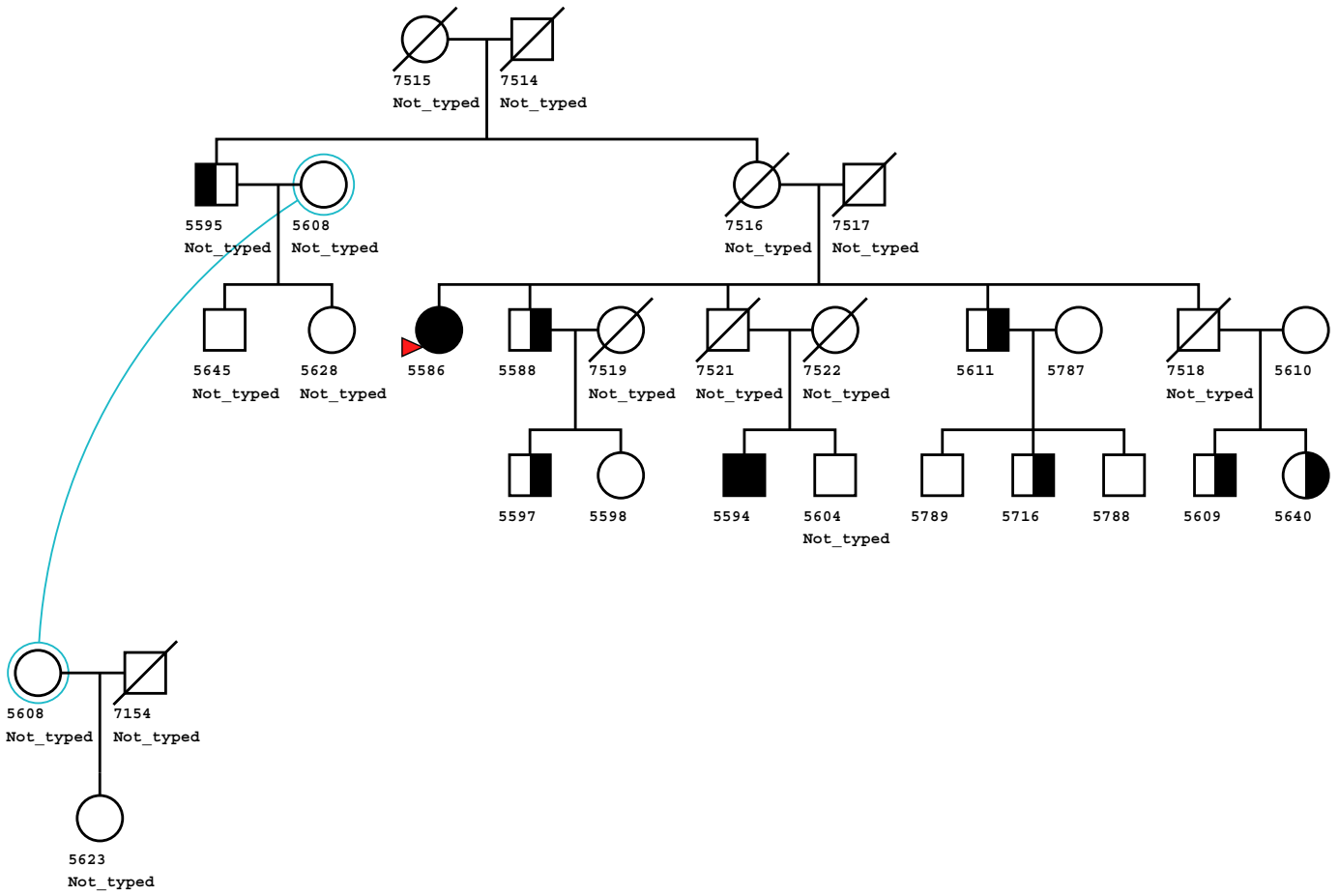












PAT  
TYPED



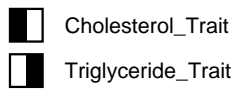
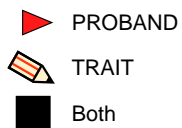
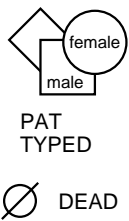
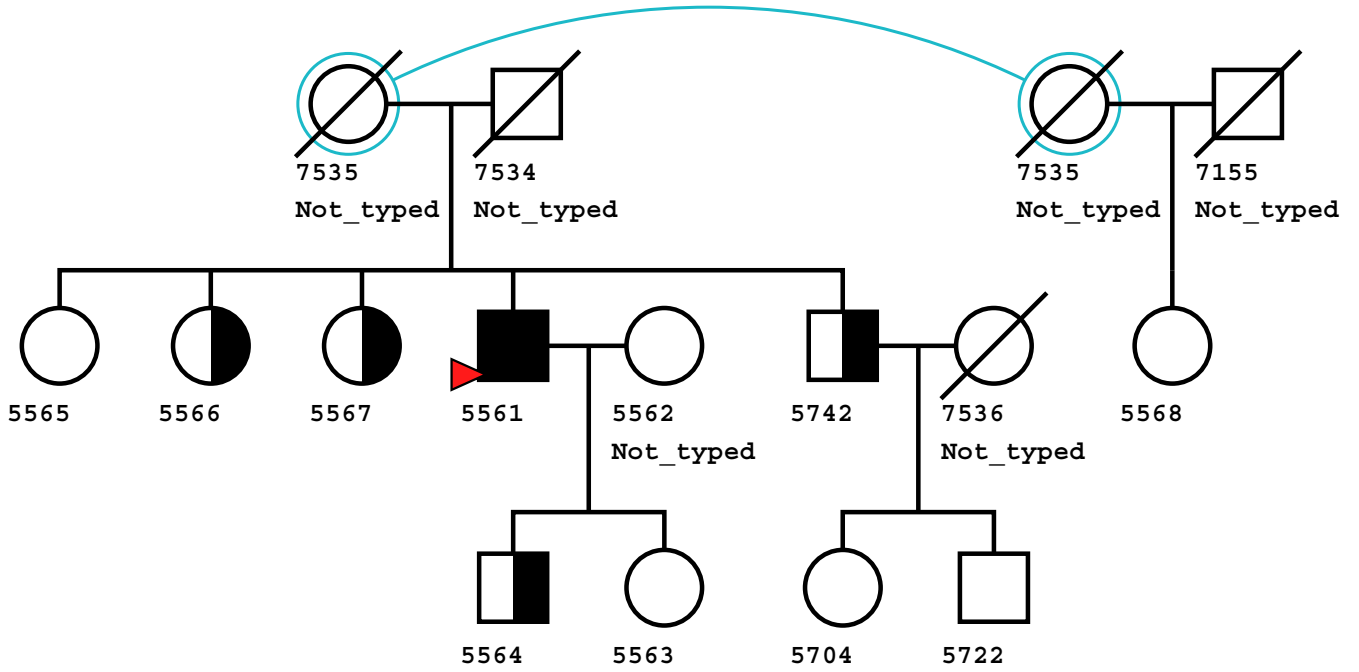
PROBAND

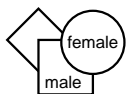
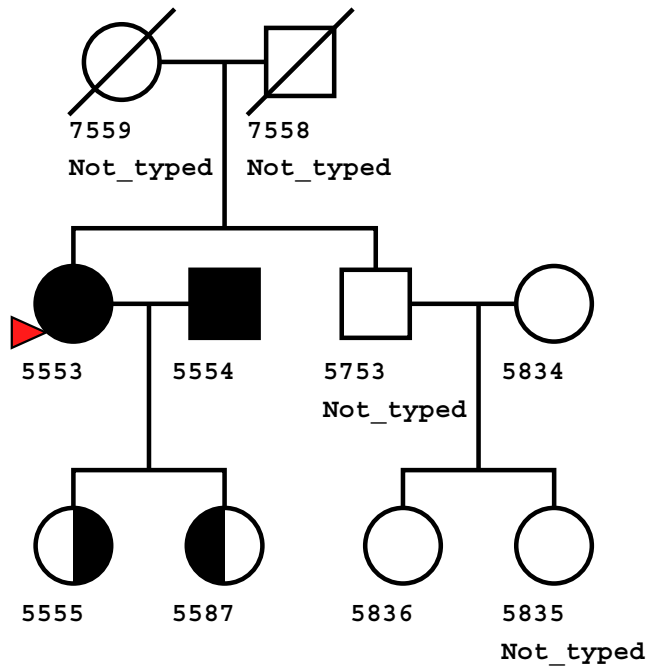
TRAIT

Both

Cholesterol\_Trait

Triglyceride\_Trait





PAT  
TYPED



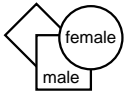
PROBAND

TRAIT

Both

Cholesterol\_Trait

Triglyceride\_Trait



PAT  
TYPED

DEAD

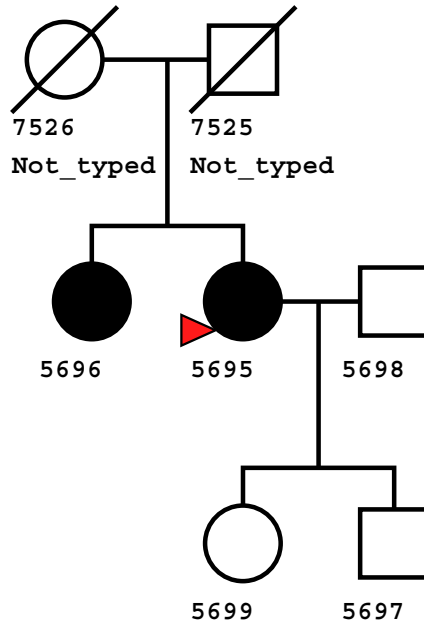
PROBAND

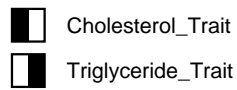
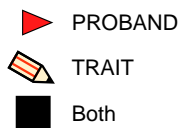
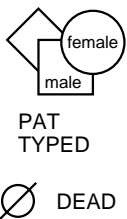
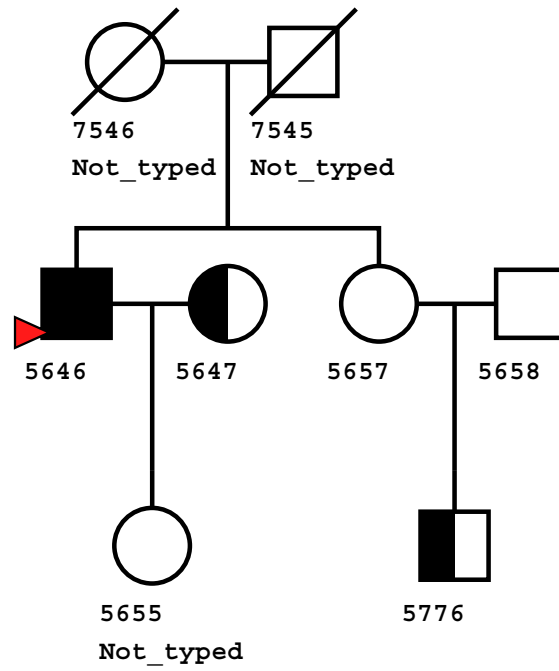
TRAIT

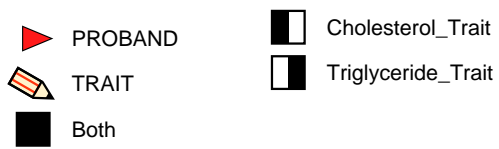
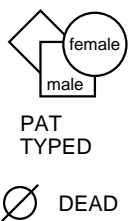
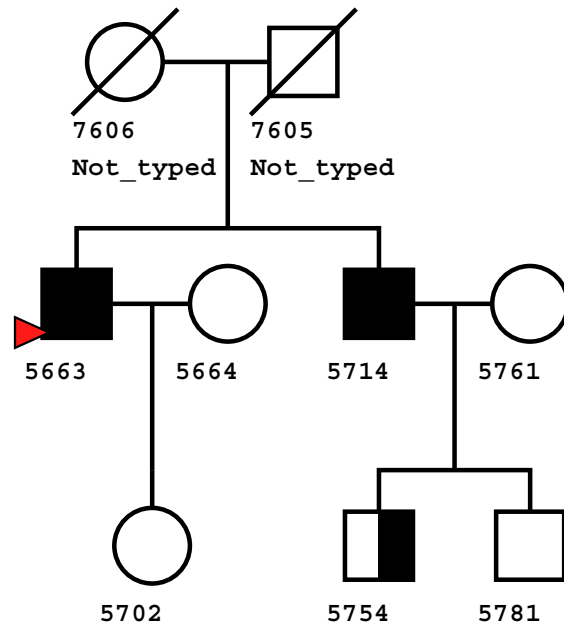
Both

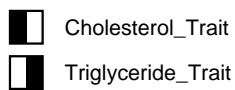
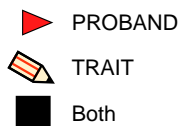
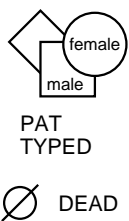
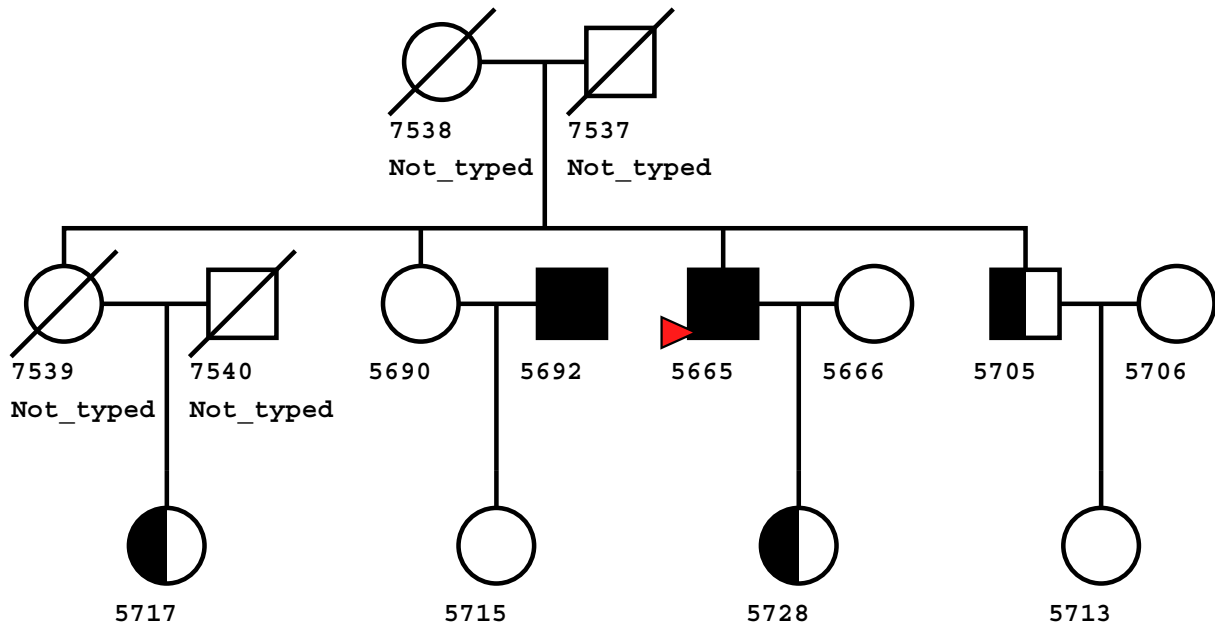
Cholesterol\_Trait

Triglyceride\_Trait

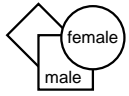




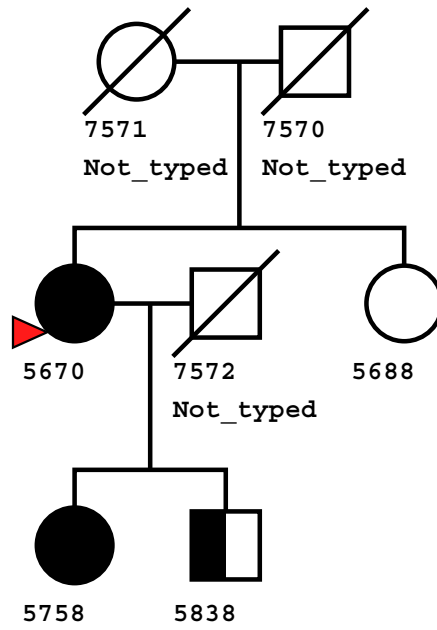
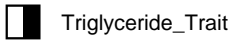
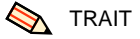


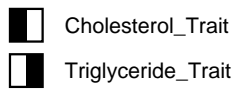
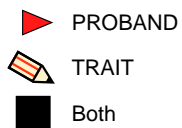
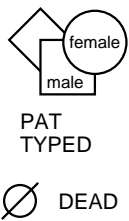
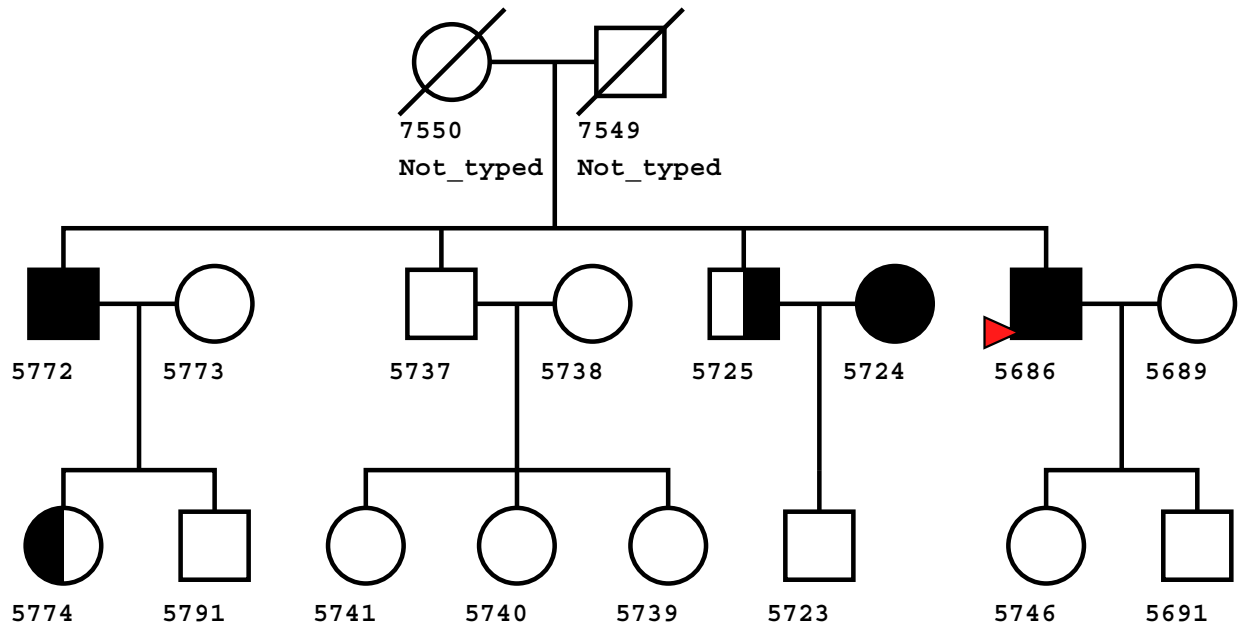


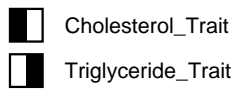
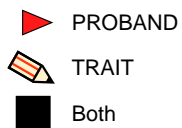
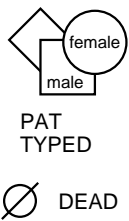
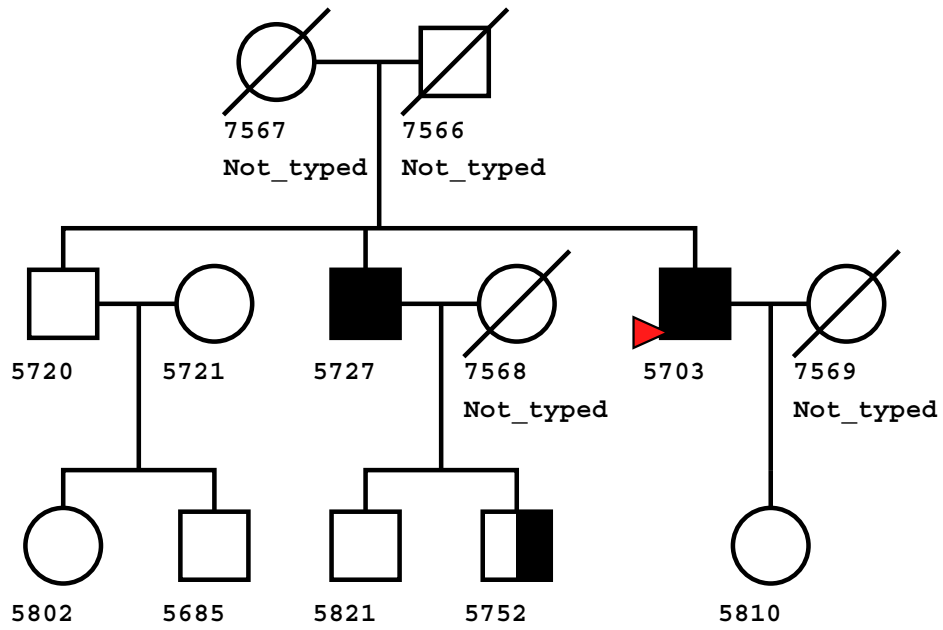


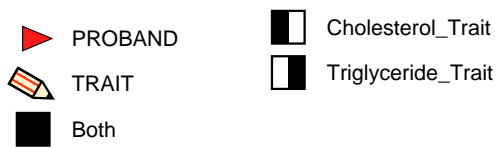
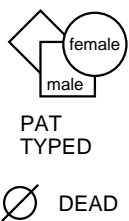
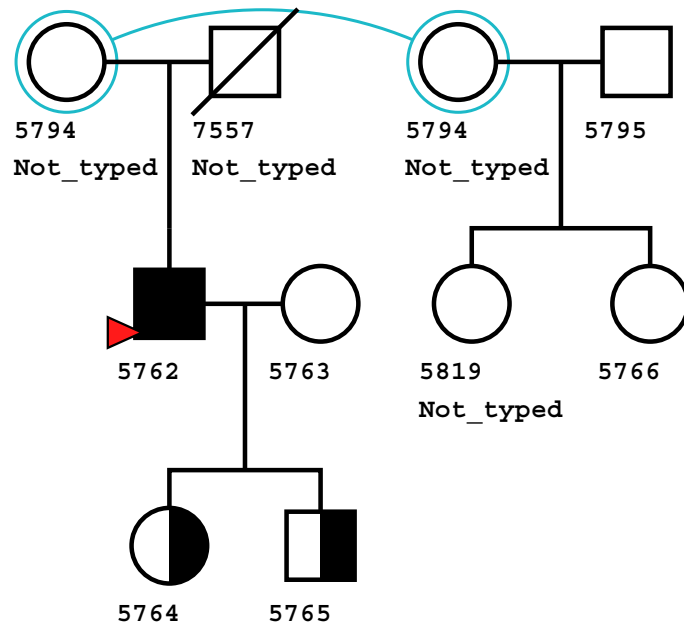


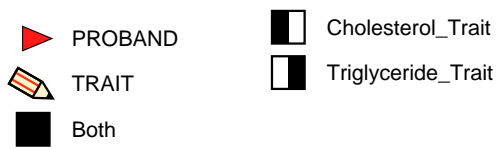
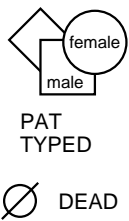
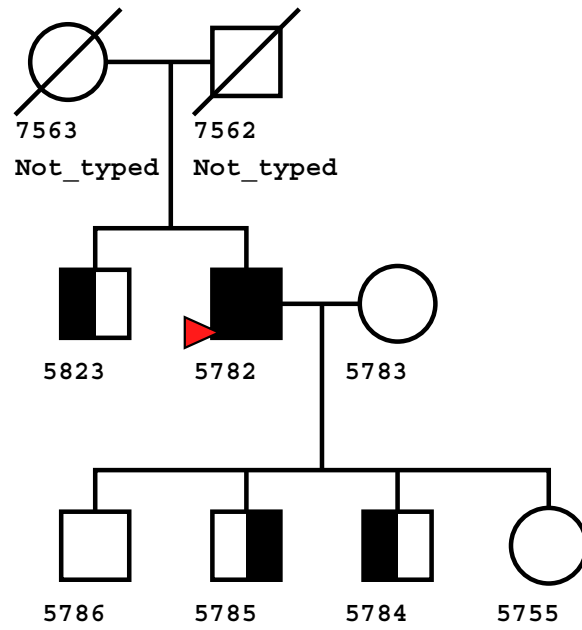
PAT  
TYPED

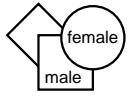












PAT  
TYPED



DEAD



PROBAND



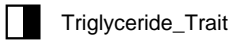
TRAIT



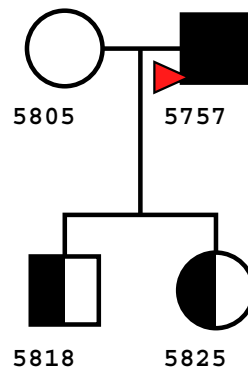
Both

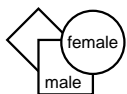
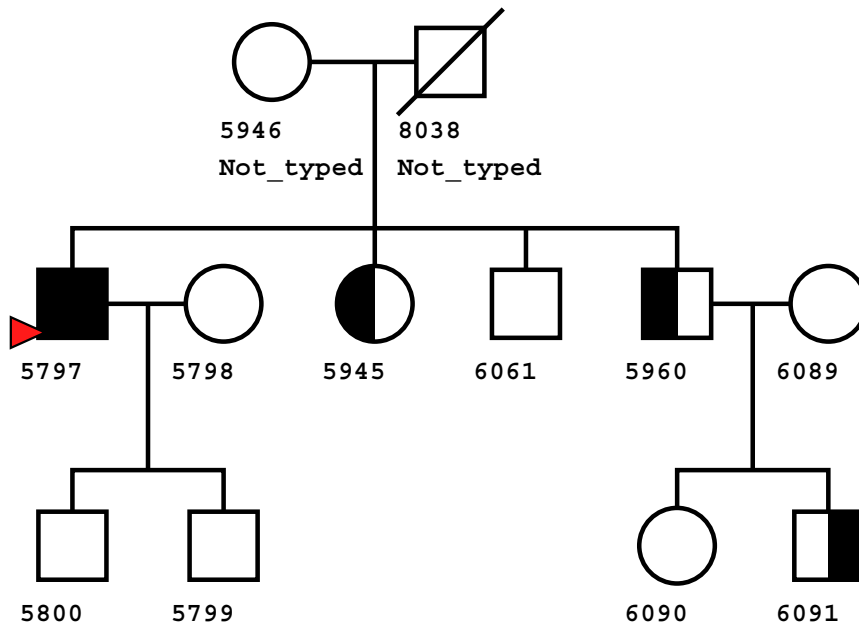


Cholesterol\_Trait



Triglyceride\_Trait





PAT  
TYPED

DEAD

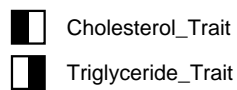
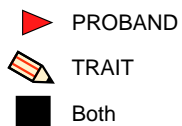
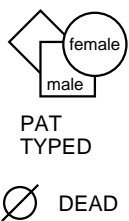
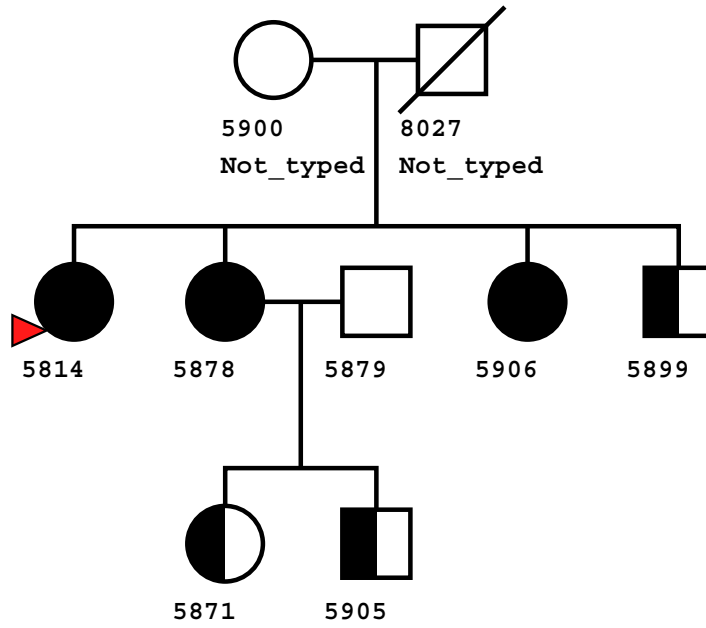
PROBAND

TRAIT

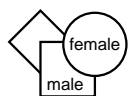
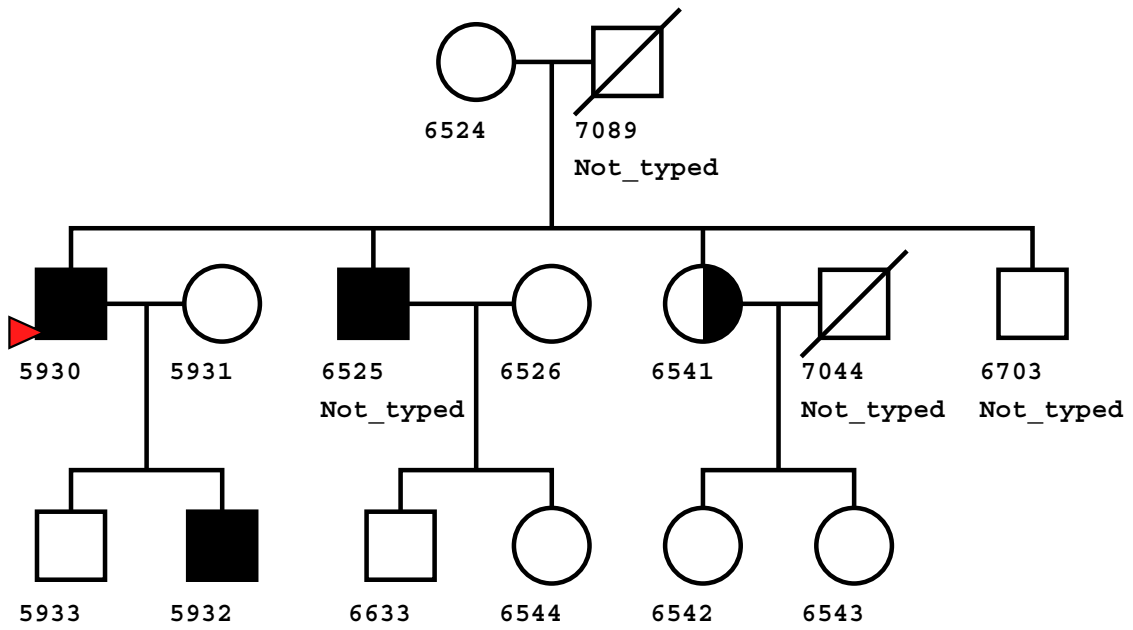
Both

Cholesterol\_Trait

Triglyceride\_Trait







PAT  
TYPED

DEAD

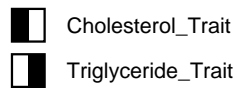
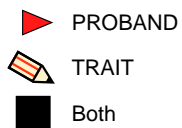
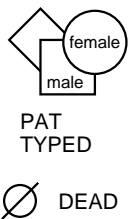
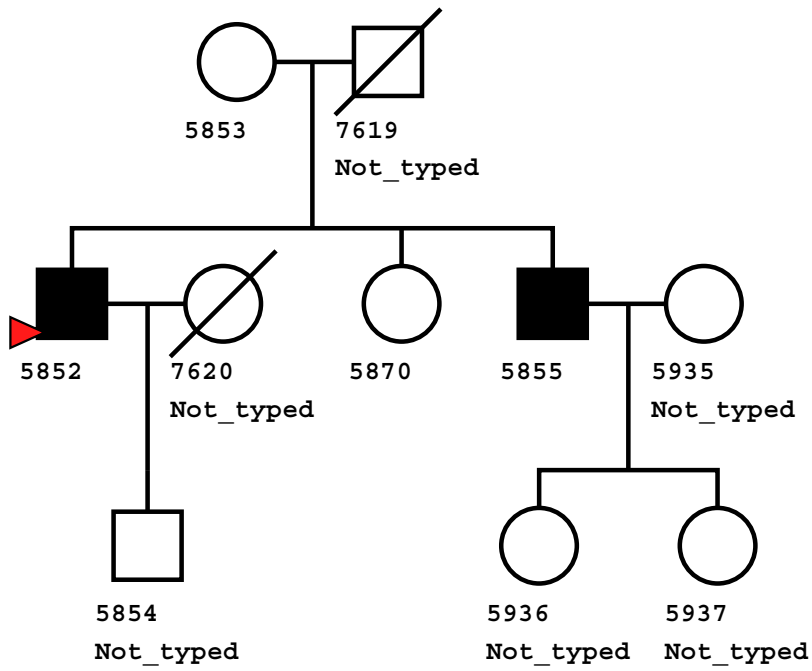
PROBAND

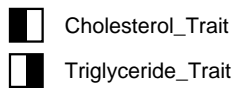
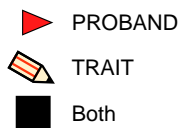
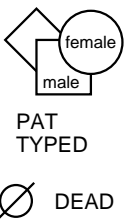
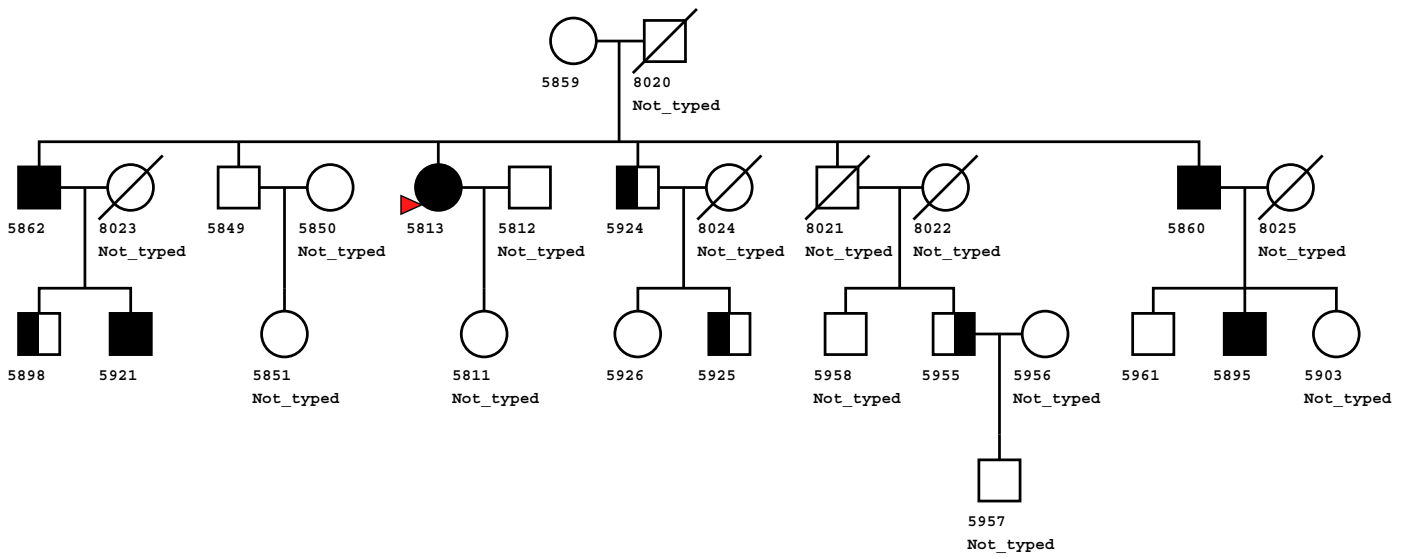
TRAIT

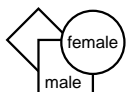
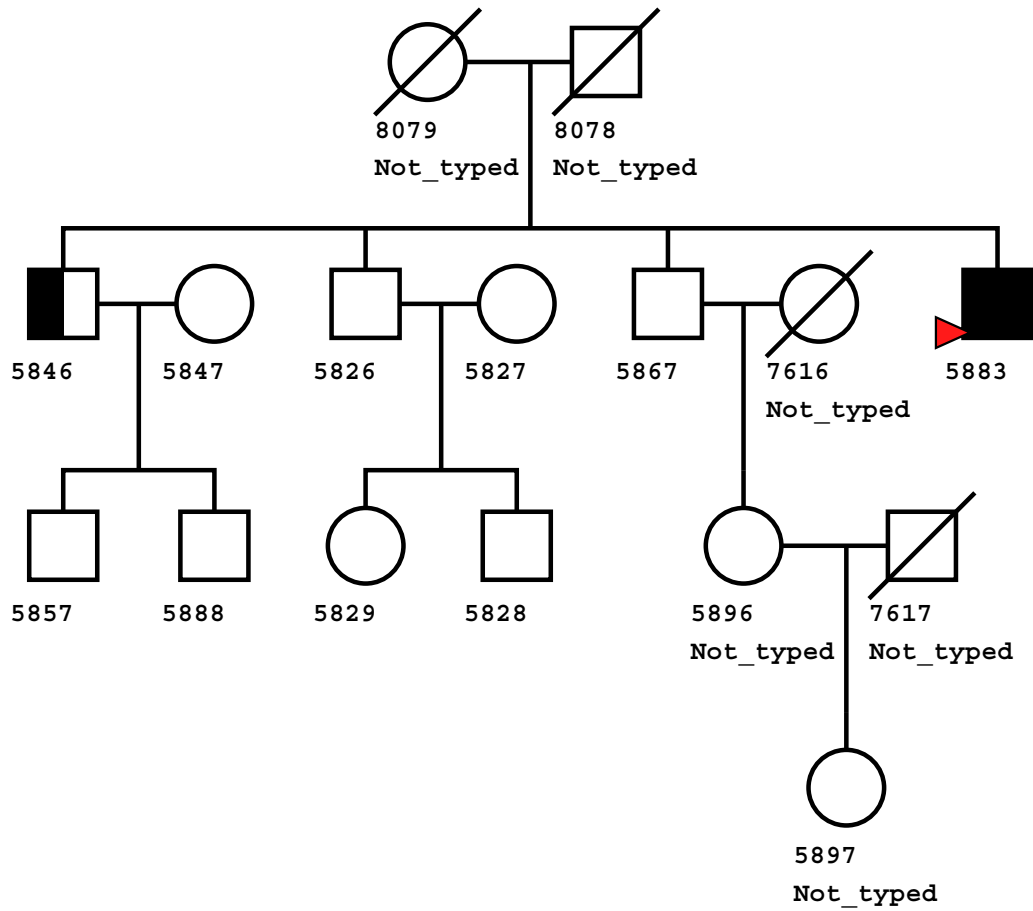
Both

Cholesterol\_Trait

Triglyceride\_Trait







PAT  
TYPED

DEAD

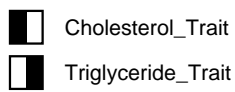
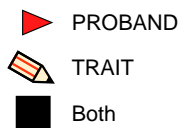
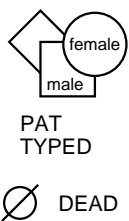
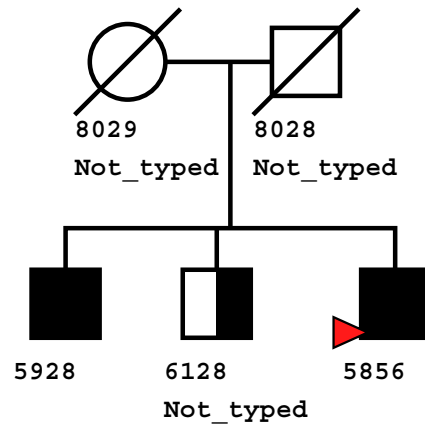
PROBAND

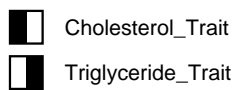
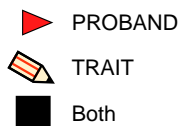
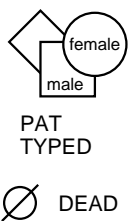
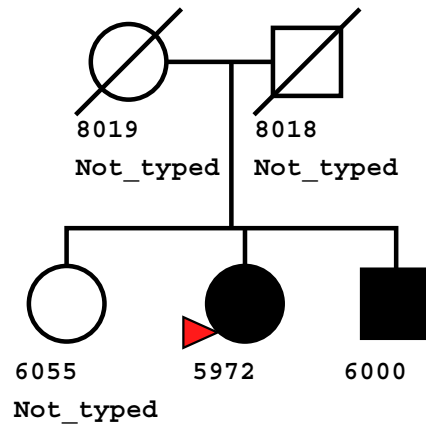
TRAIT

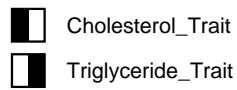
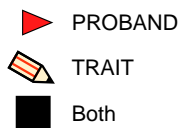
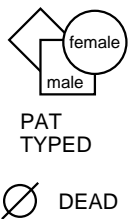
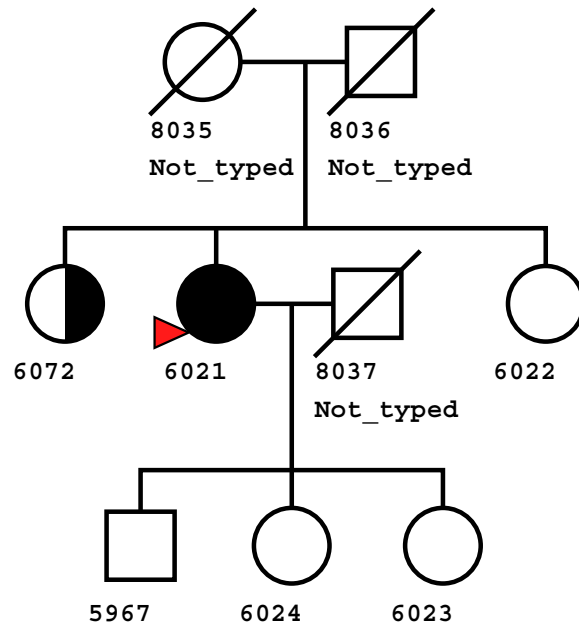
Both

Cholesterol\_Trait

Triglyceride\_Trait

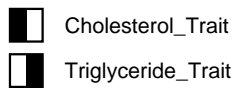
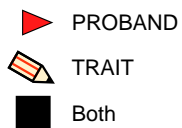
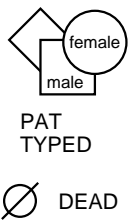
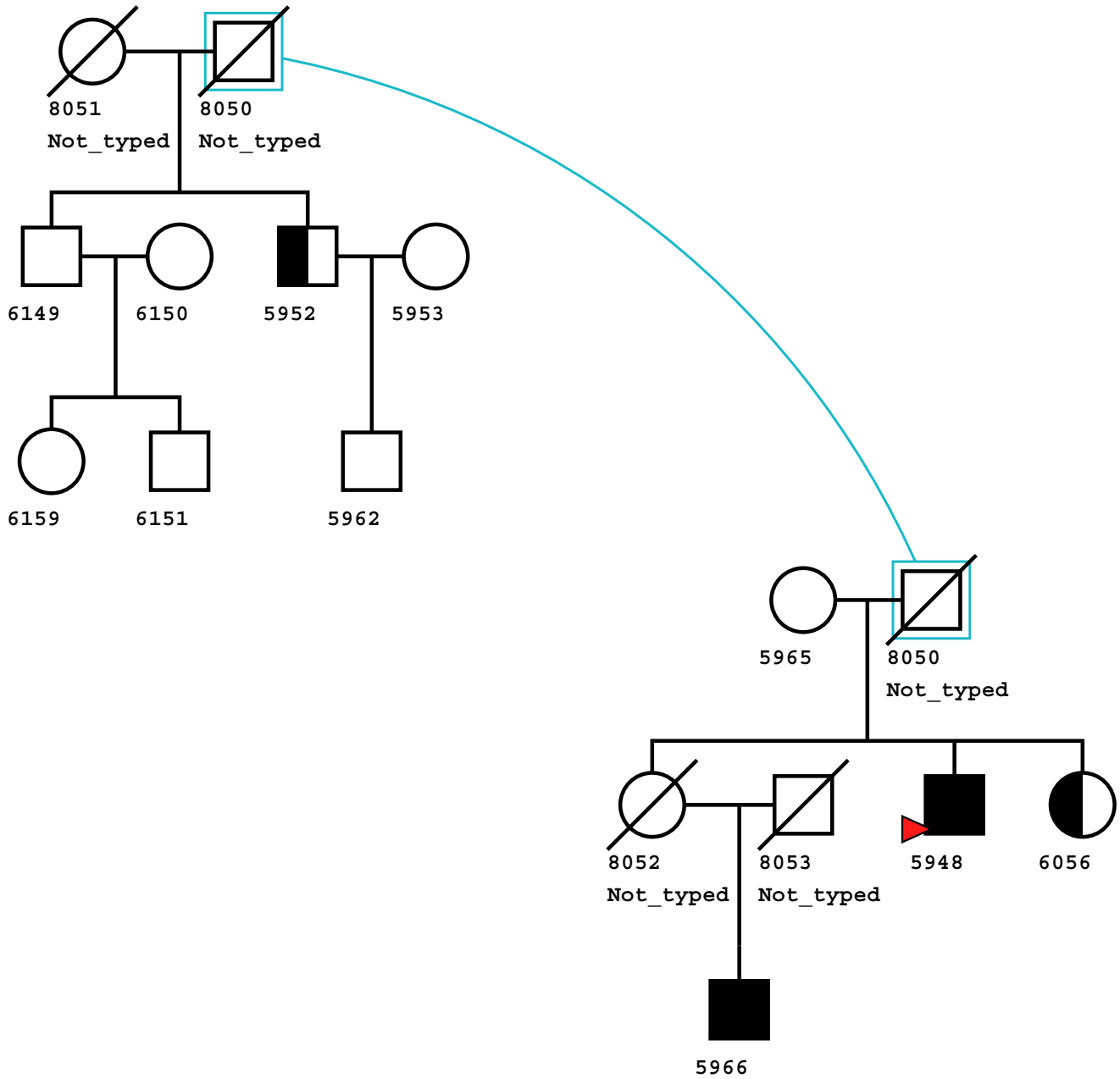


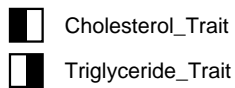
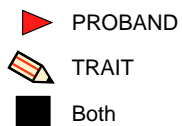
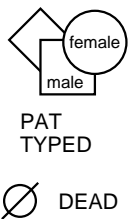
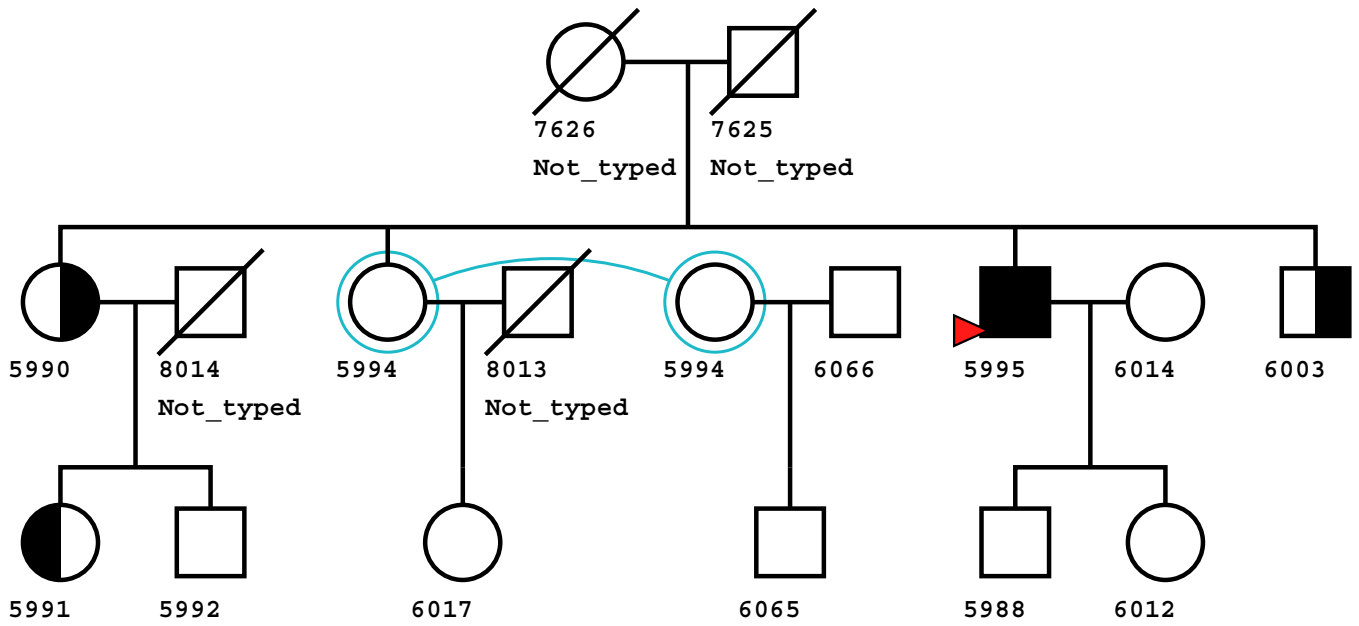


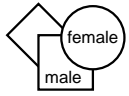




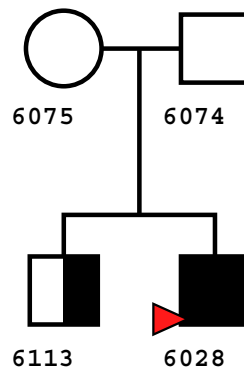
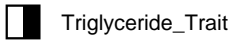


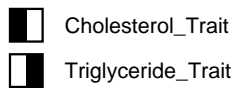
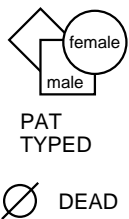
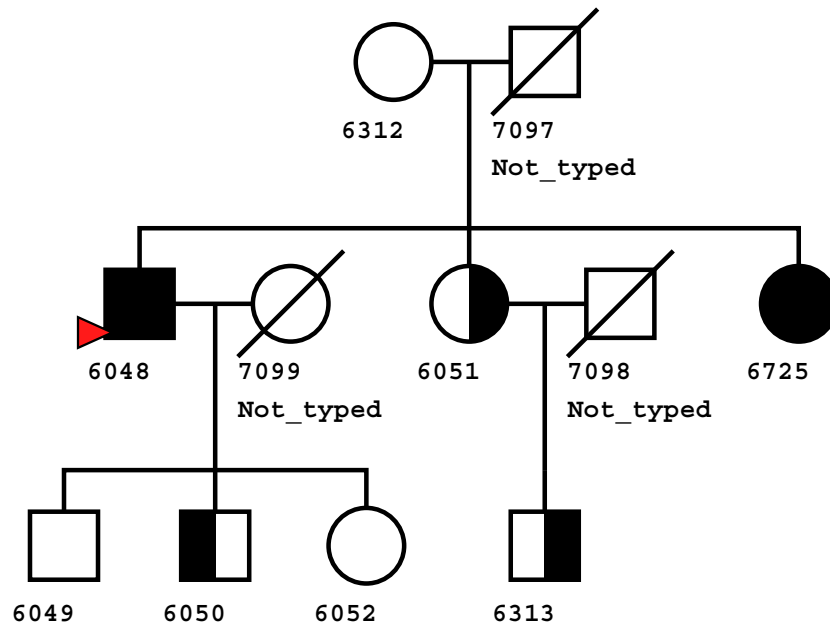


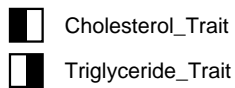
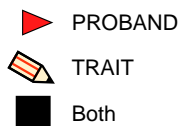
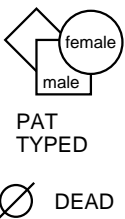
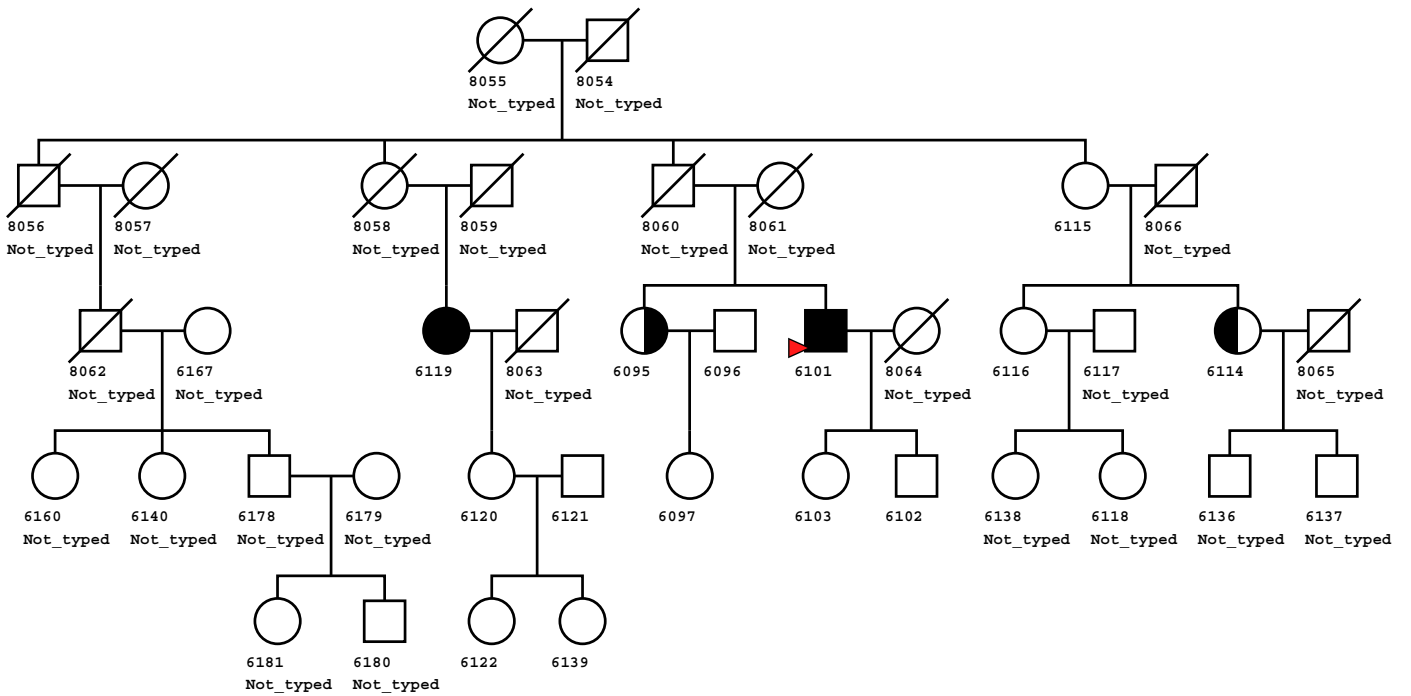


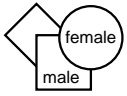


PAT  
TYPED

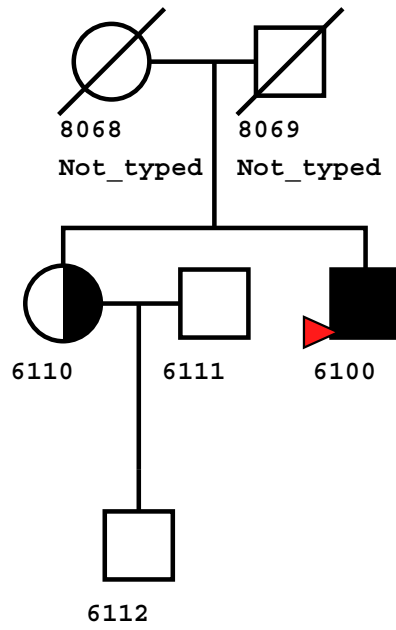
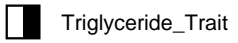
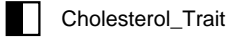


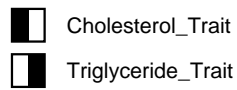
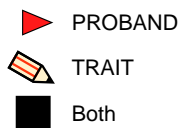
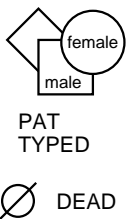
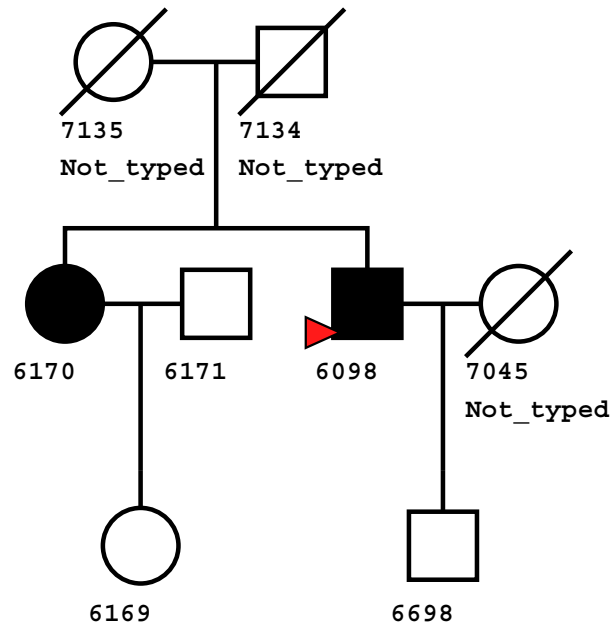


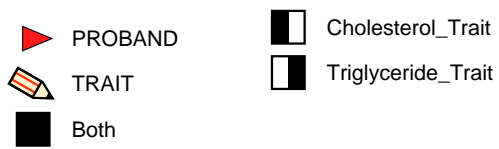
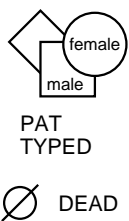
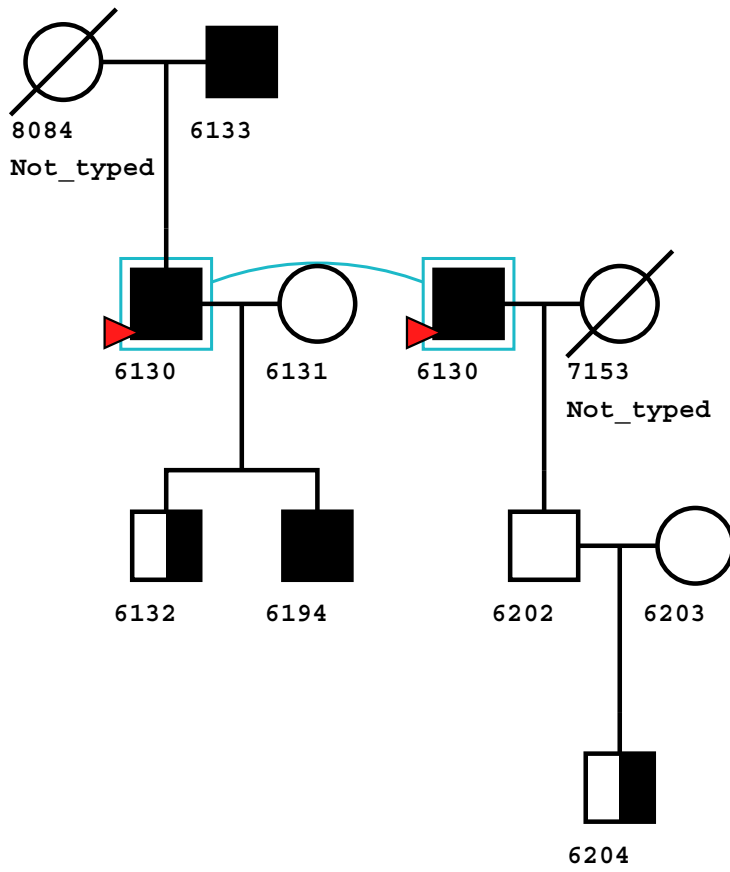




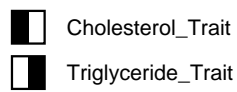
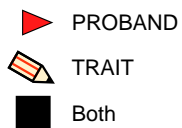
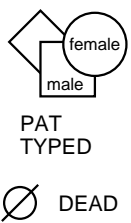
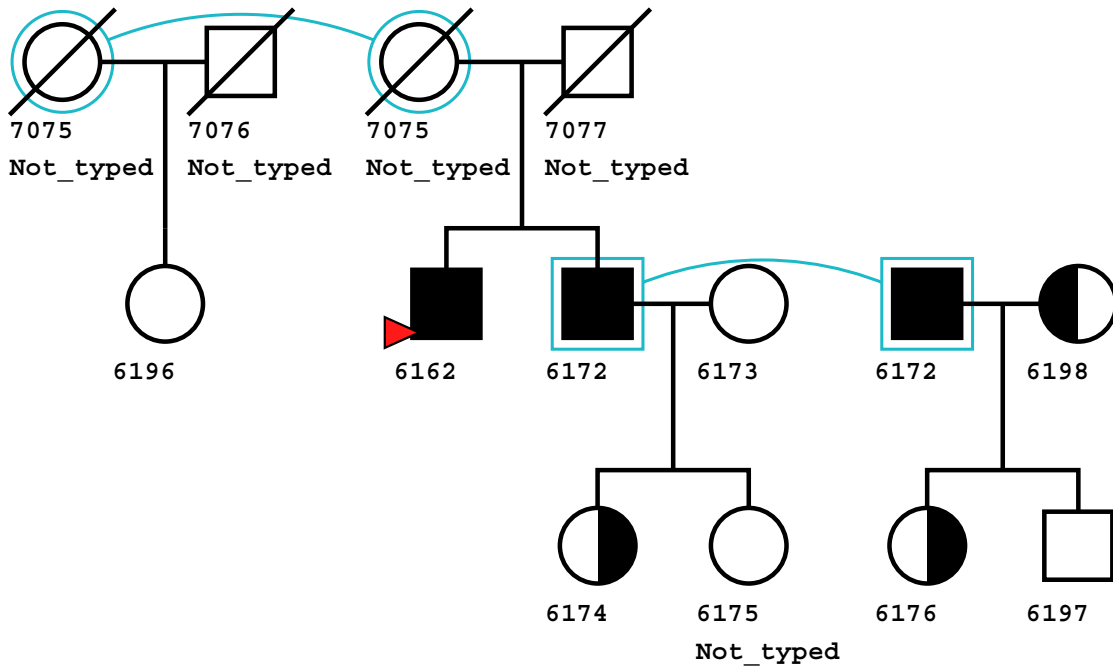
PAT  
TYPED

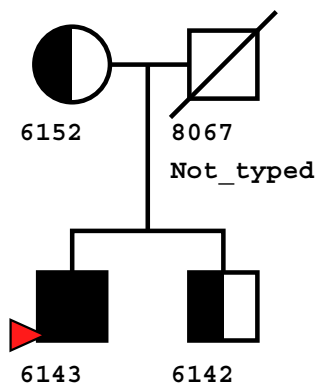
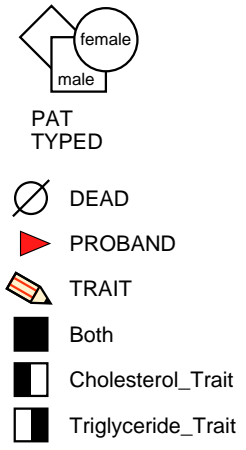


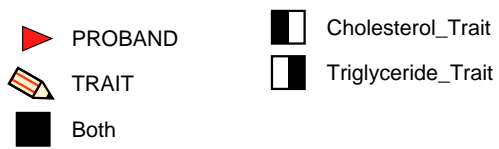
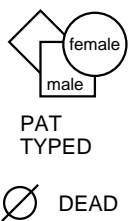
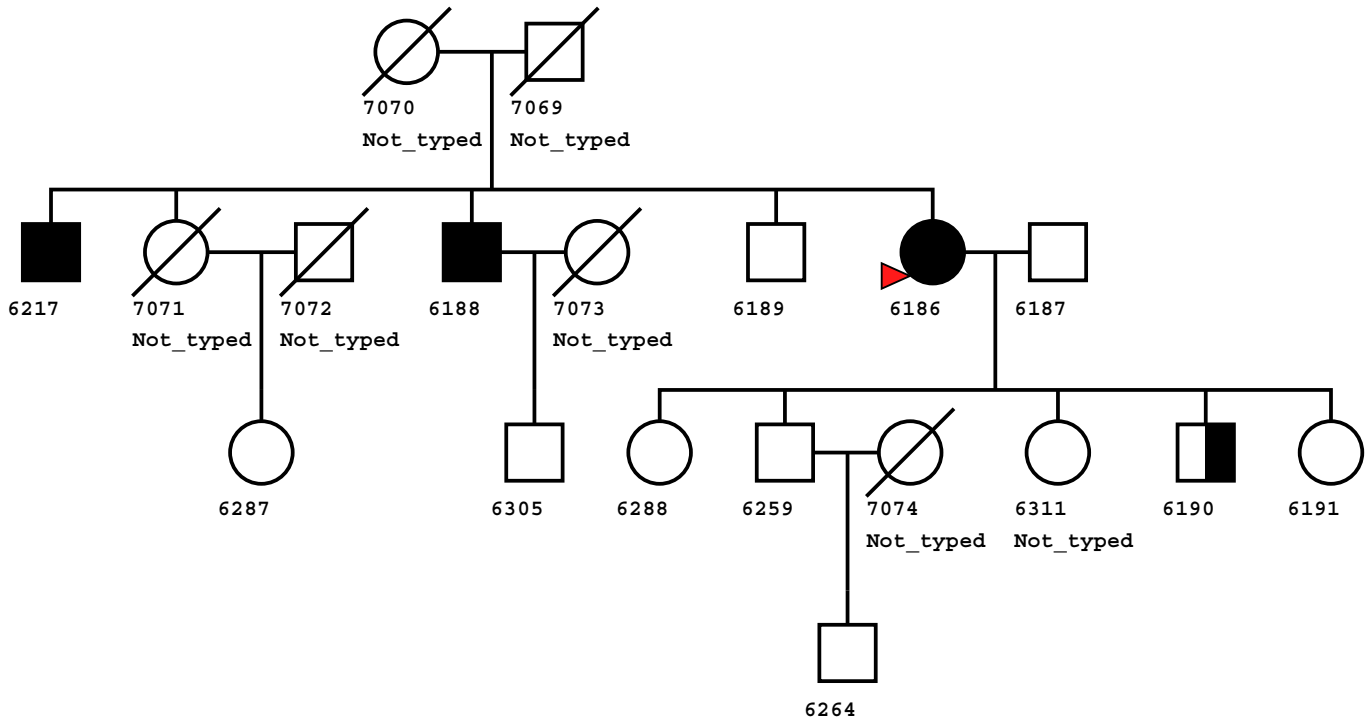


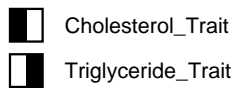
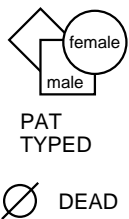
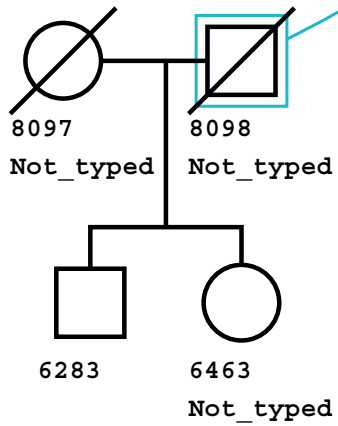
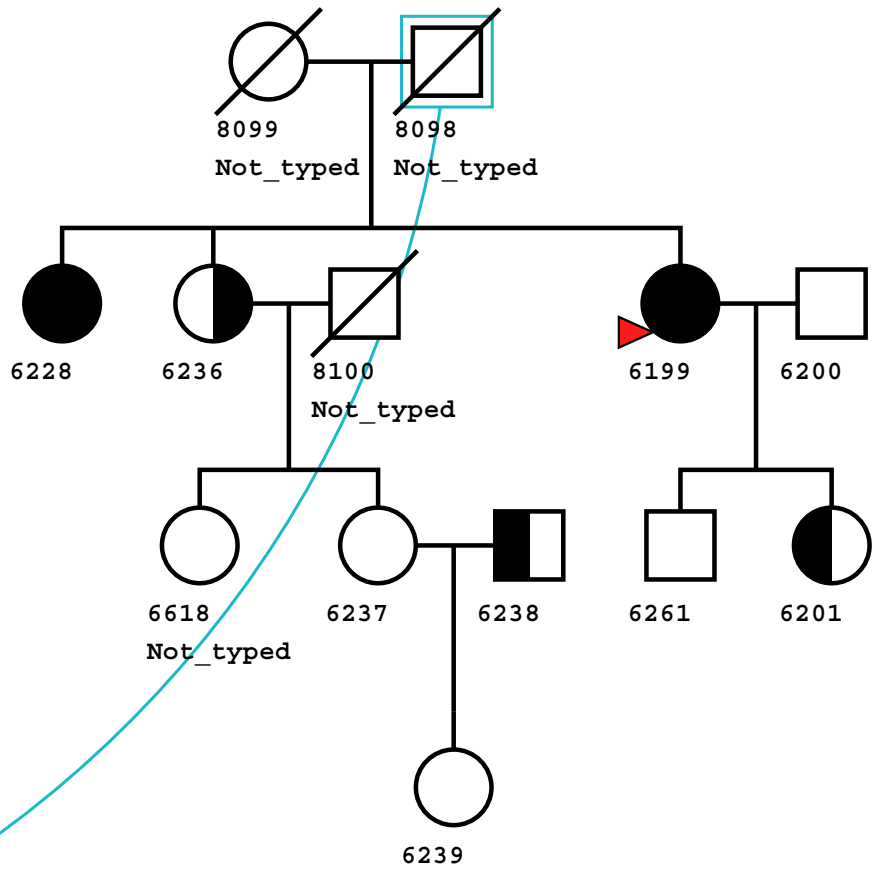


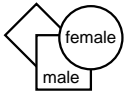




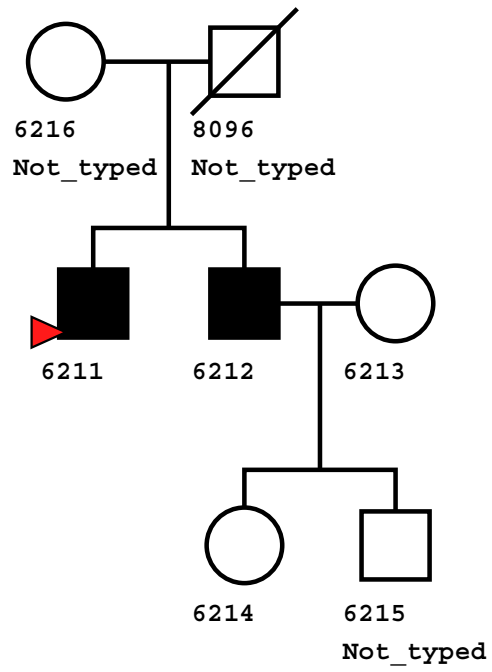
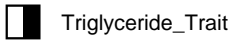
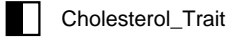


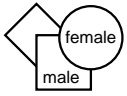




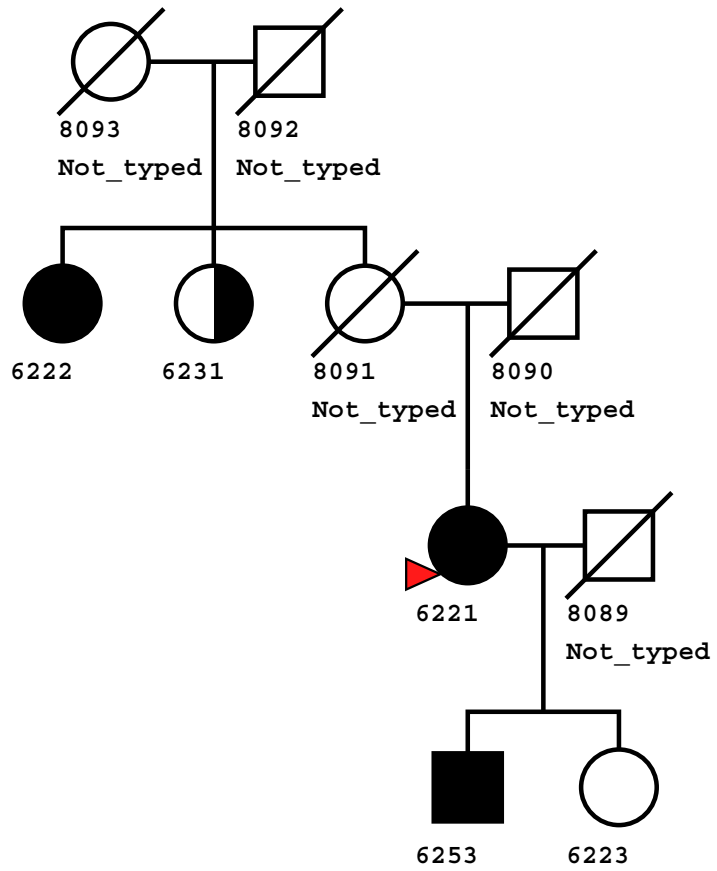
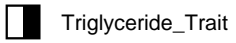
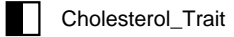
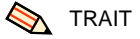


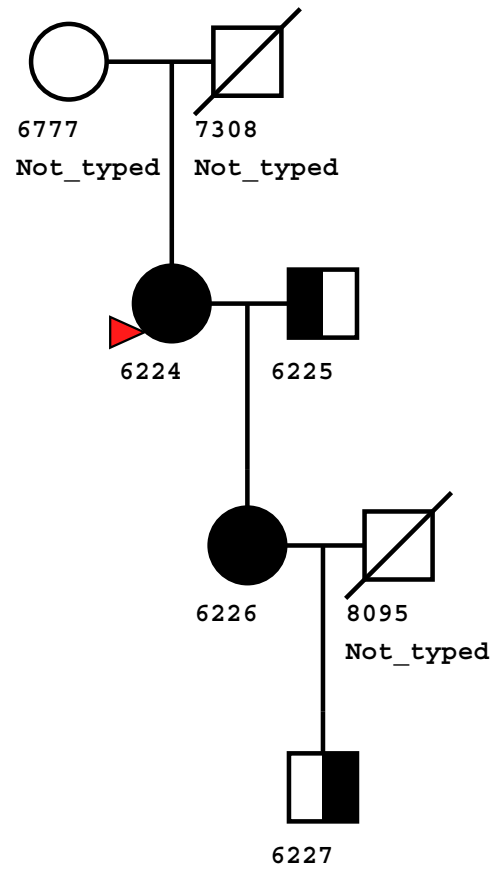
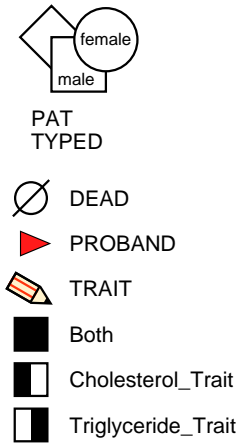
PAT  
TYPED

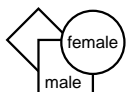
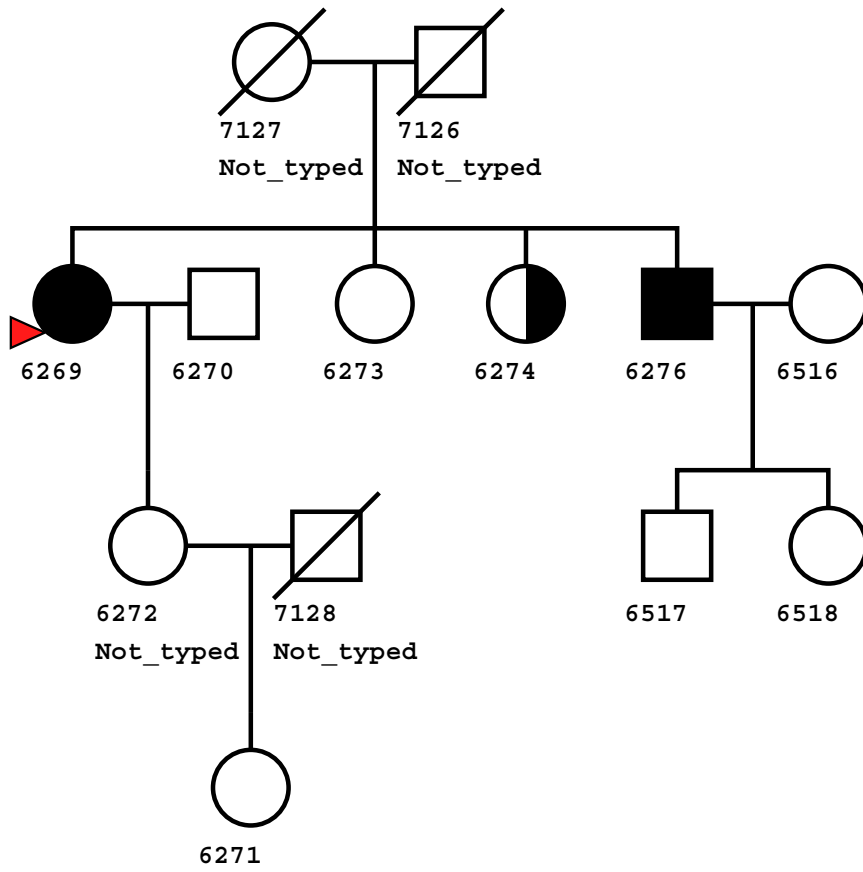




PAT  
TYPED







PAT  
TYPED

DEAD

PROBAND

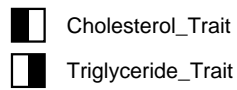
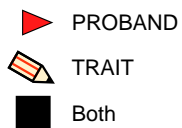
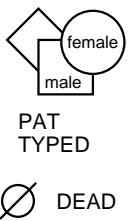
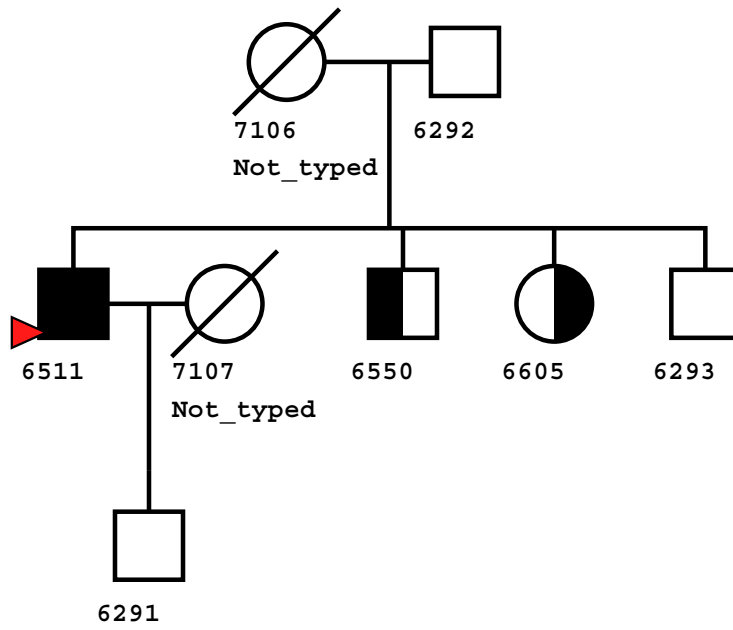
TRAIT

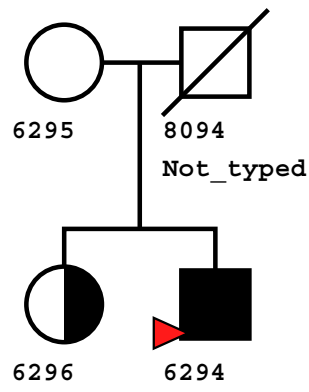
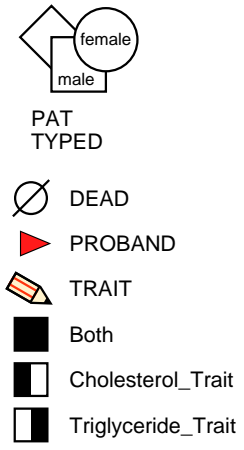
Both

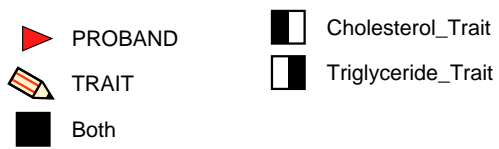
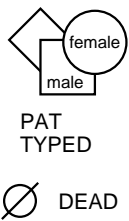
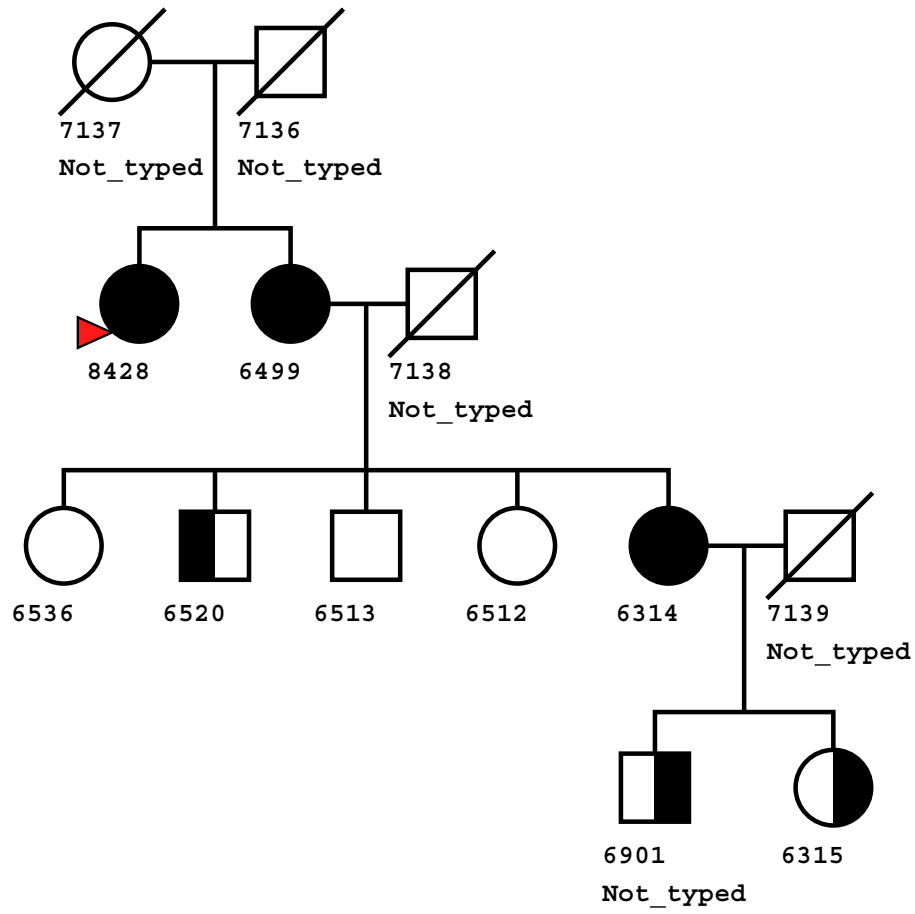
Cholesterol\_Trait

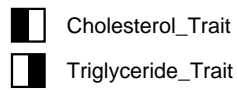
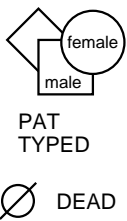
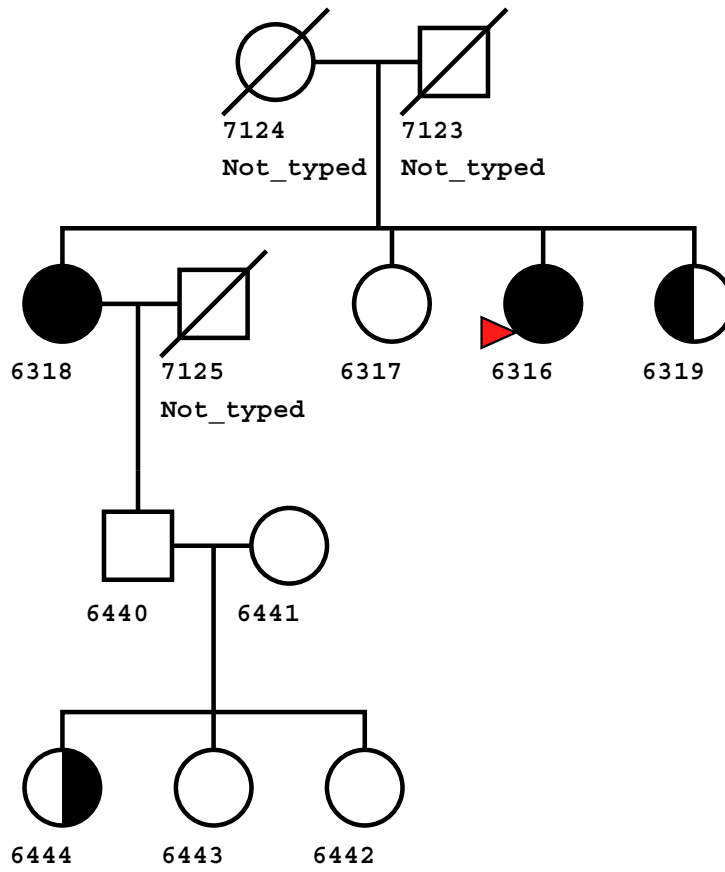
Triglyceride\_Trait

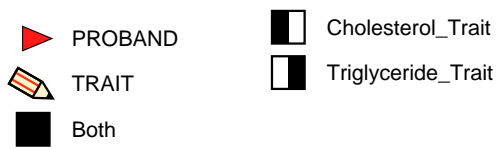
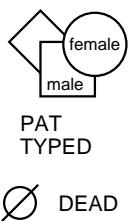
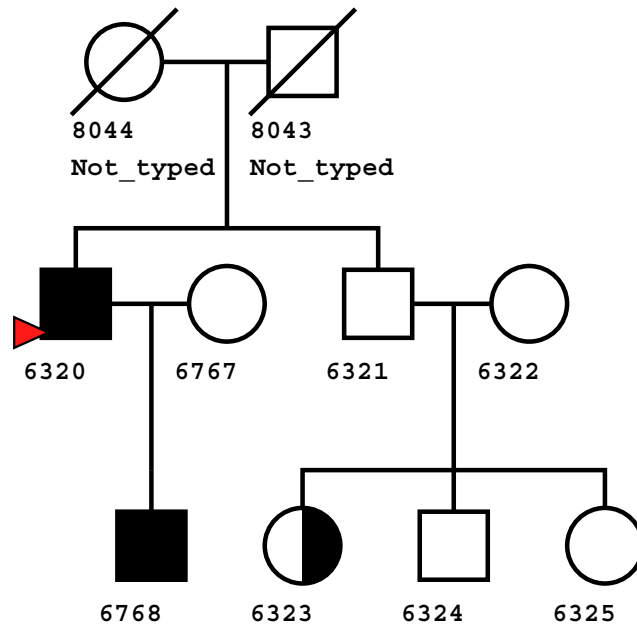




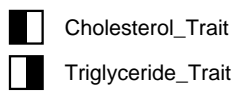
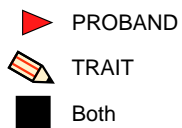
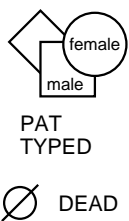
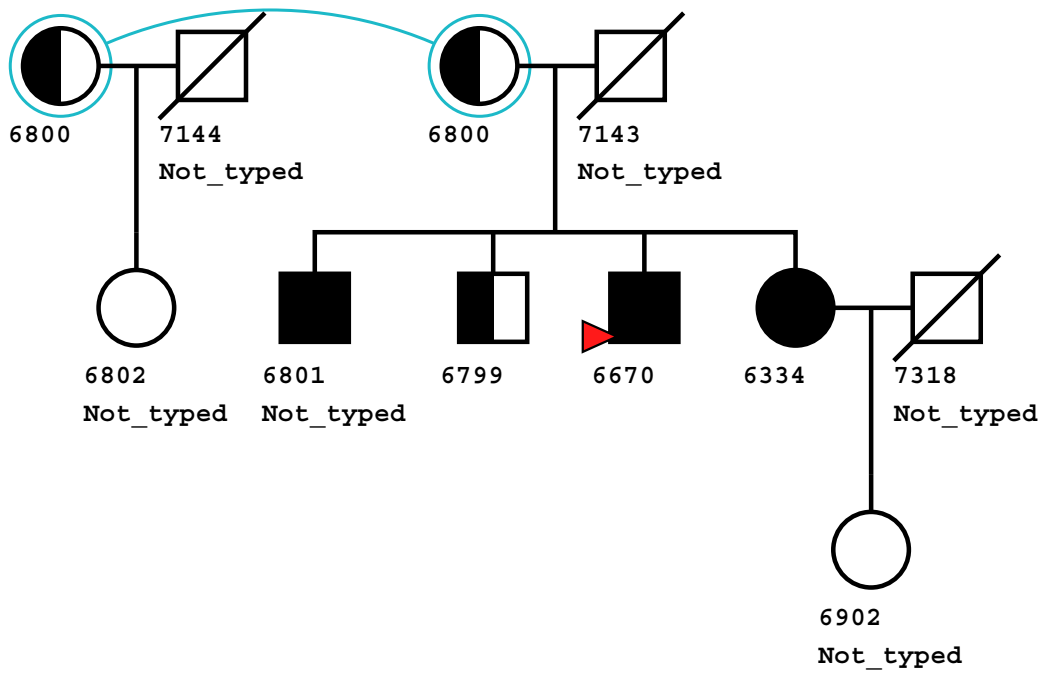


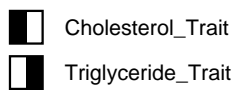
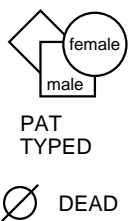
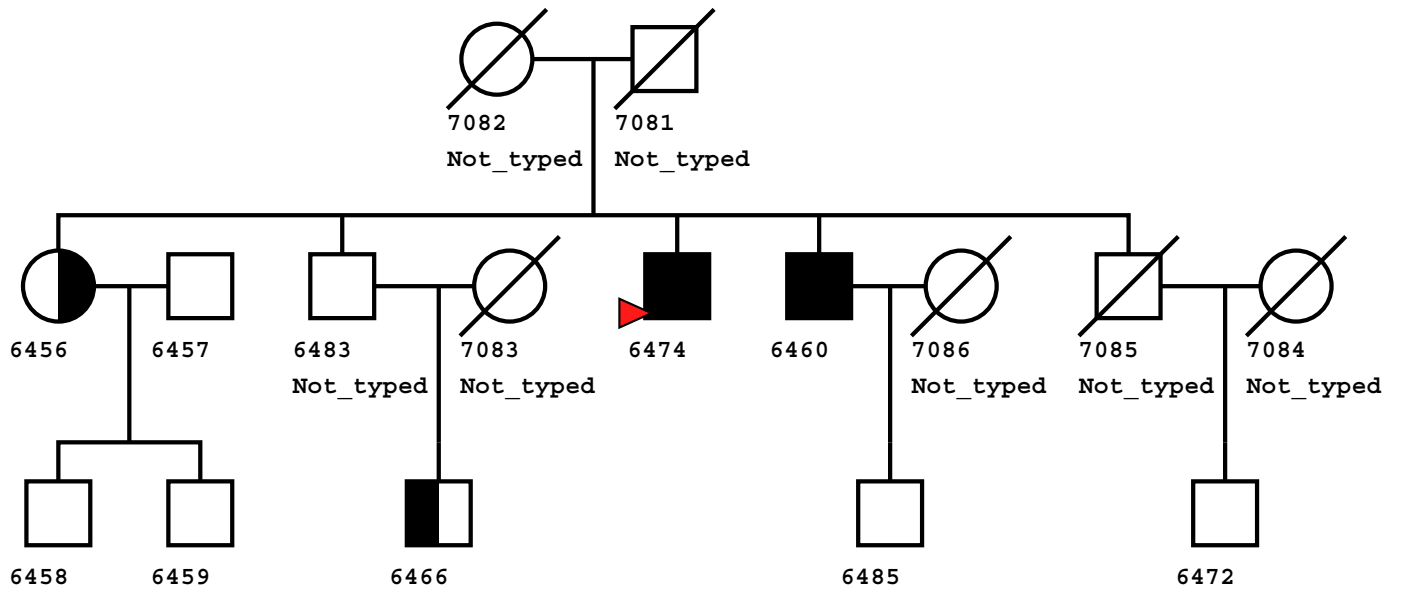


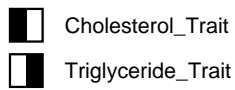
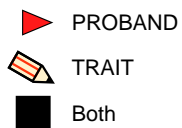
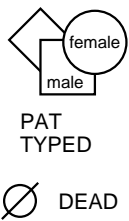
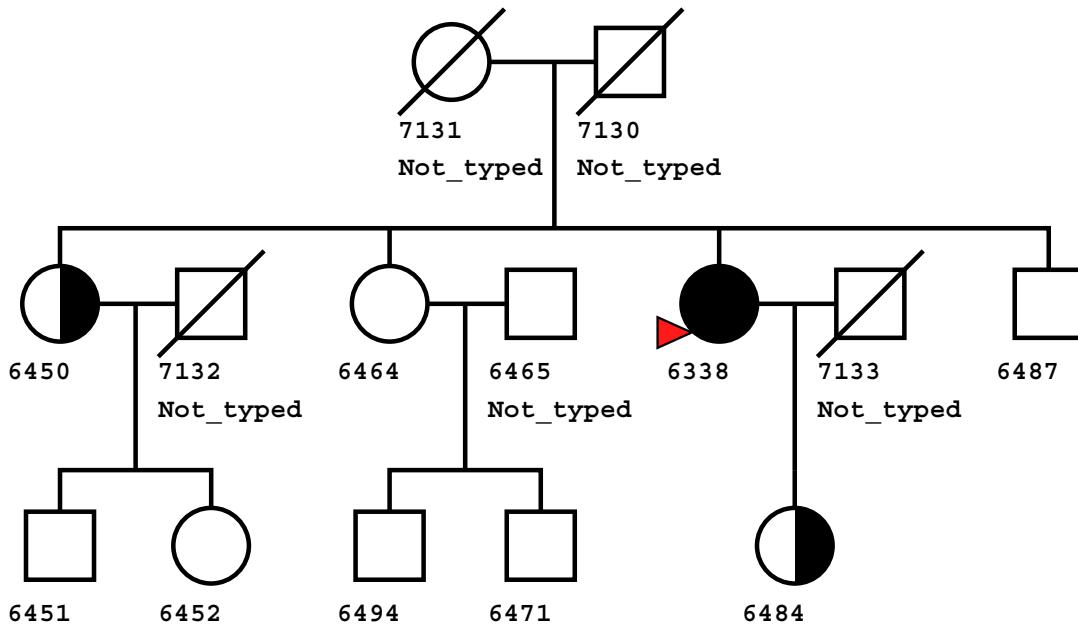




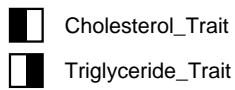
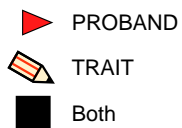
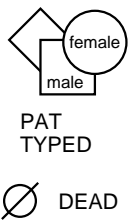
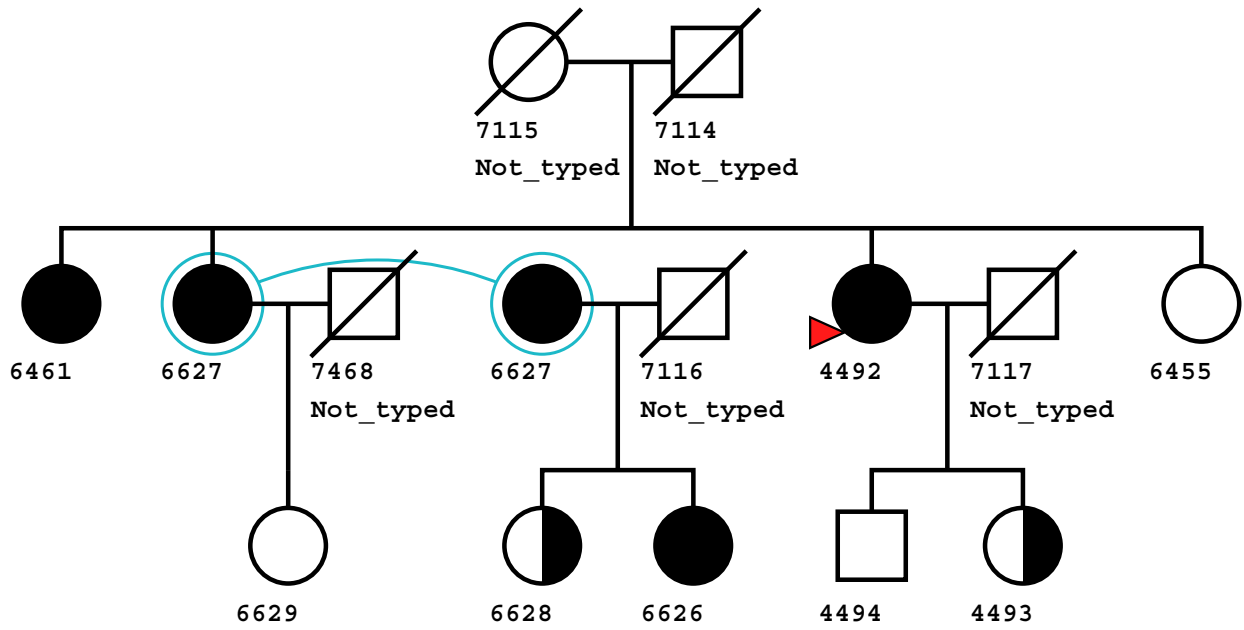
11 individuals

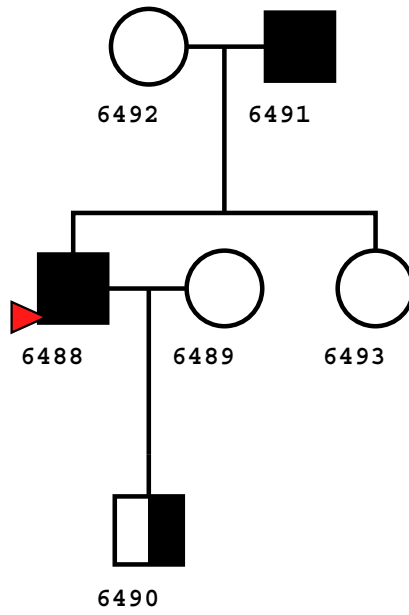
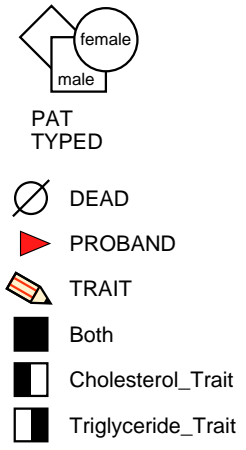


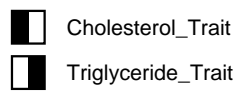
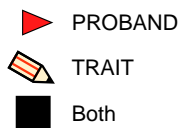
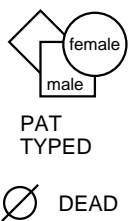
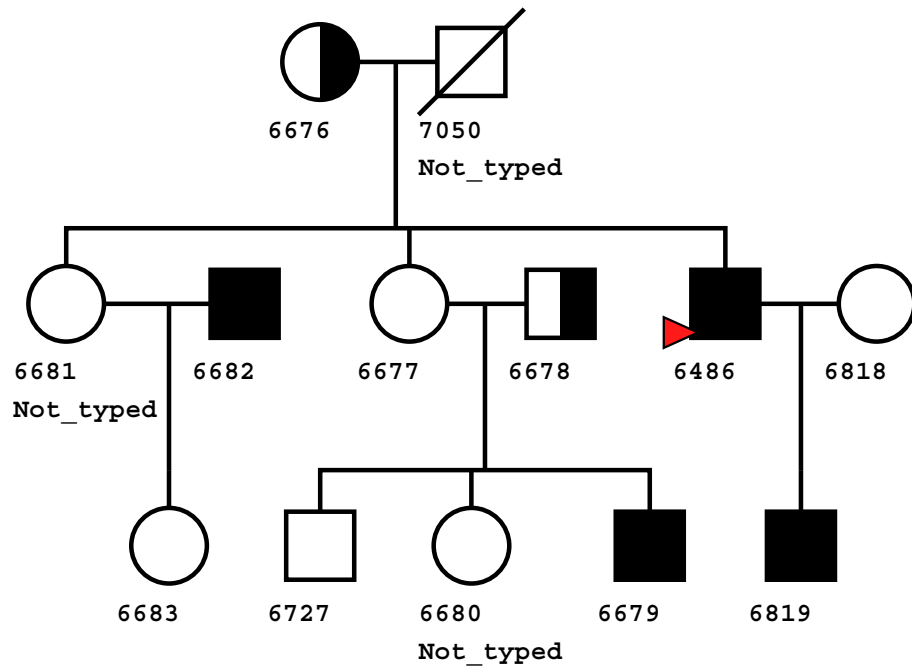


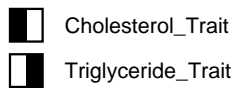
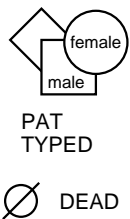
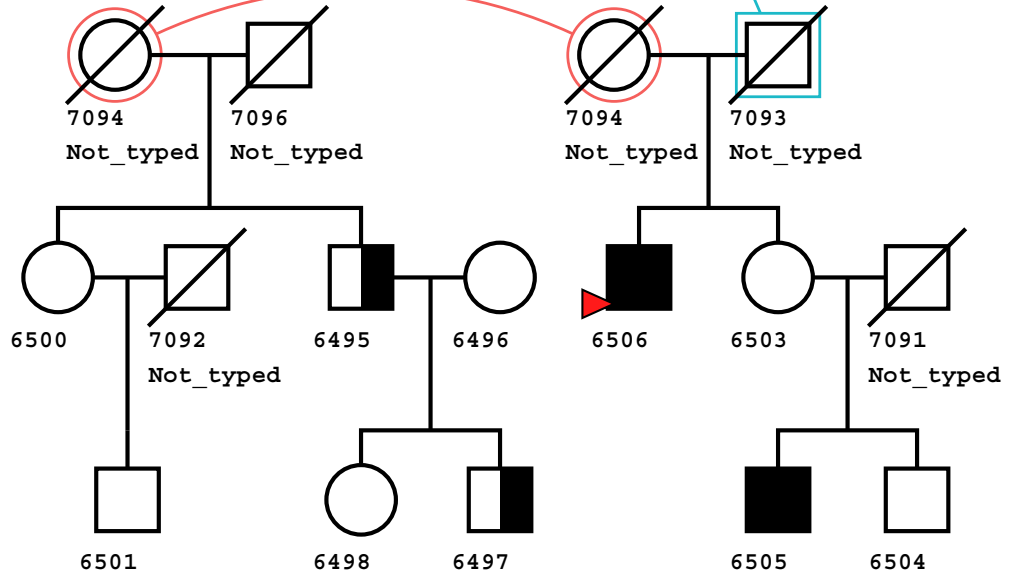
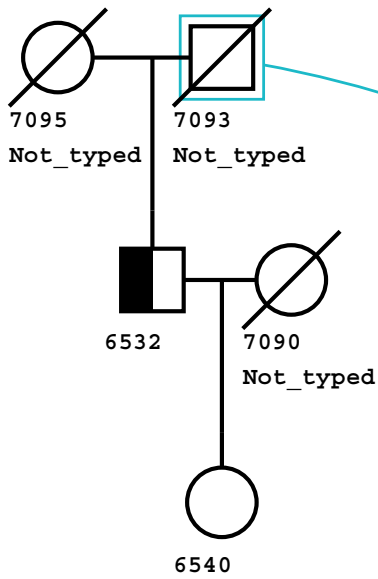


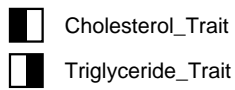
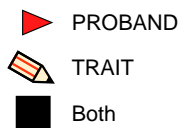
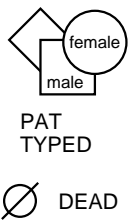
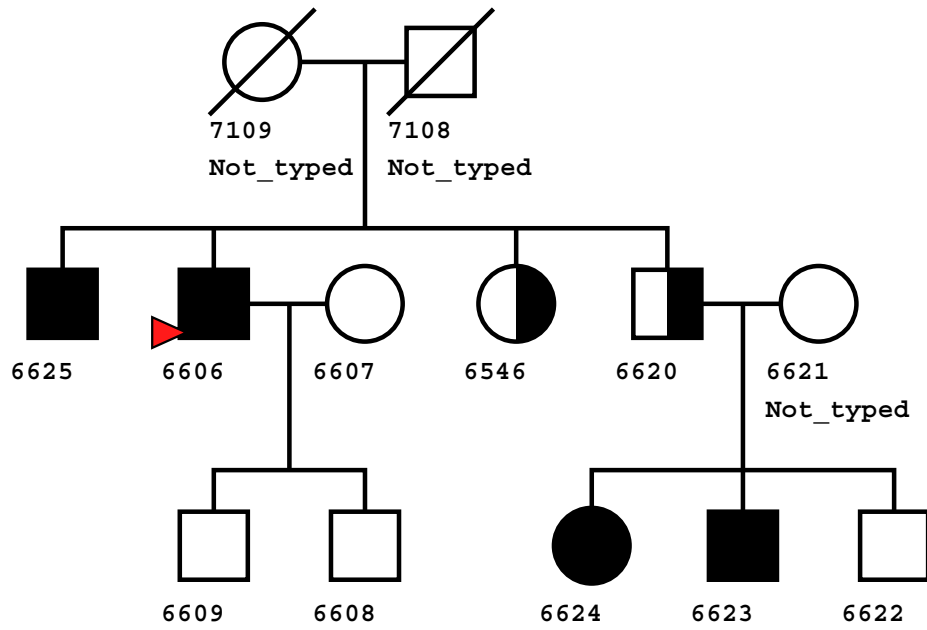


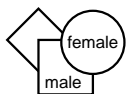
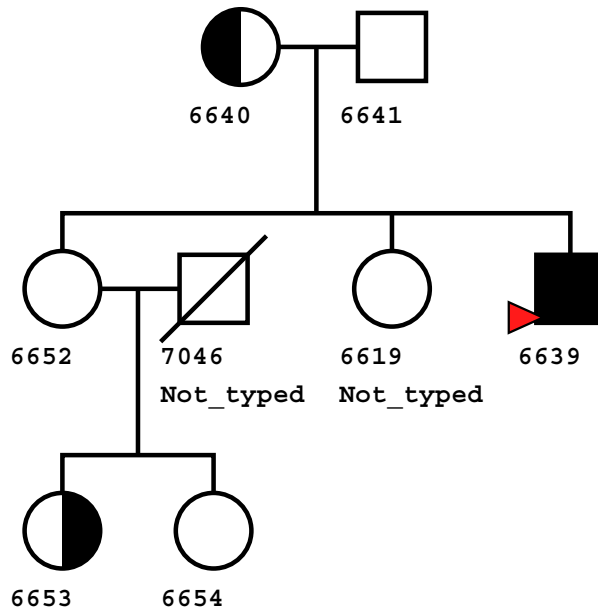












PAT  
TYPED



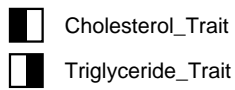
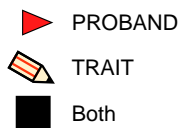
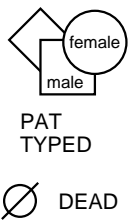
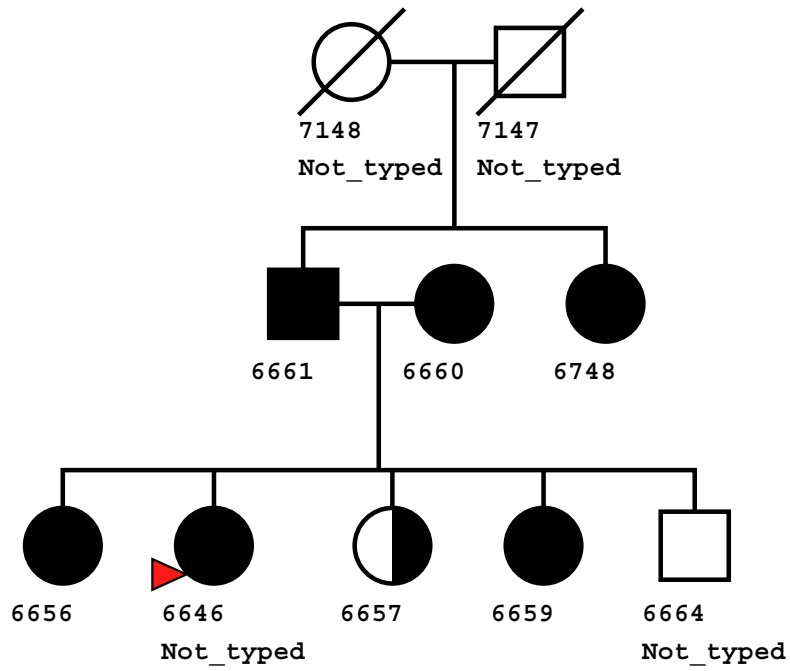
PROBAND

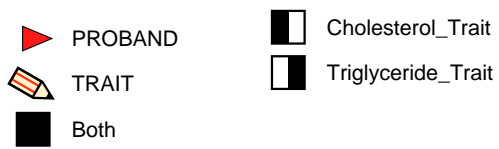
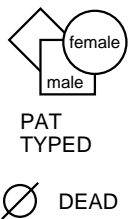
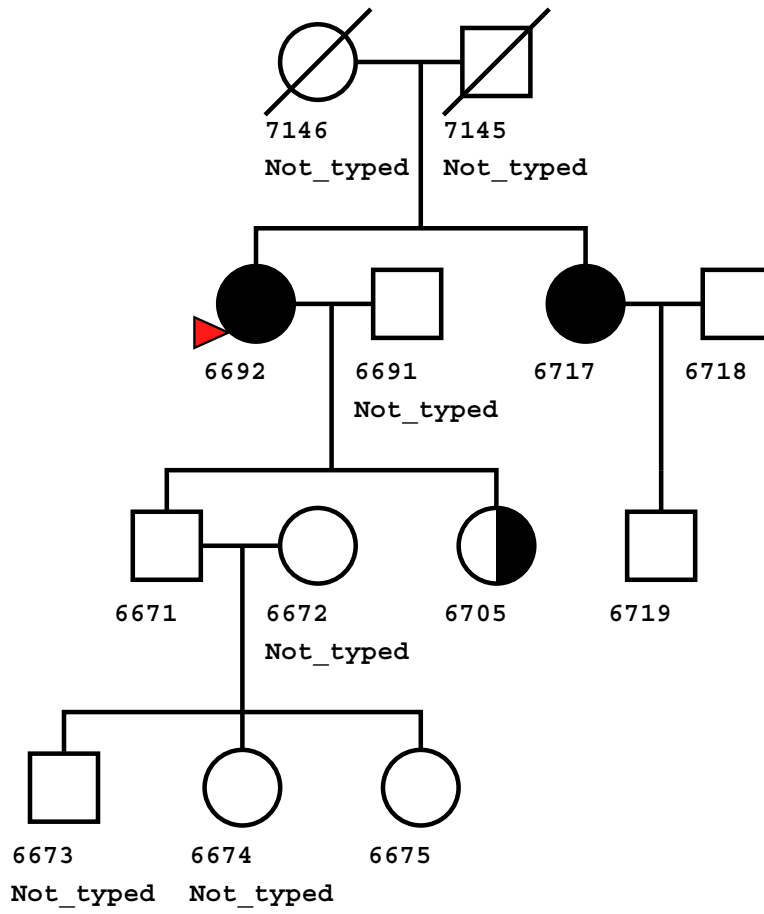
TRAIT

Both

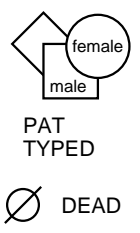
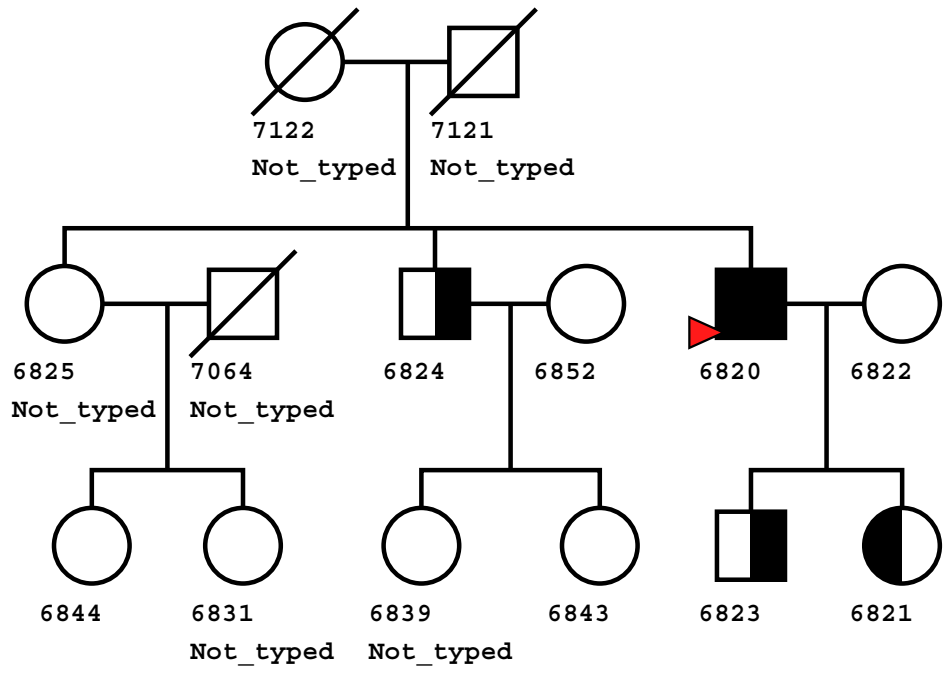
Cholesterol\_Trait

Triglyceride\_Trait

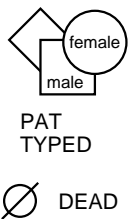
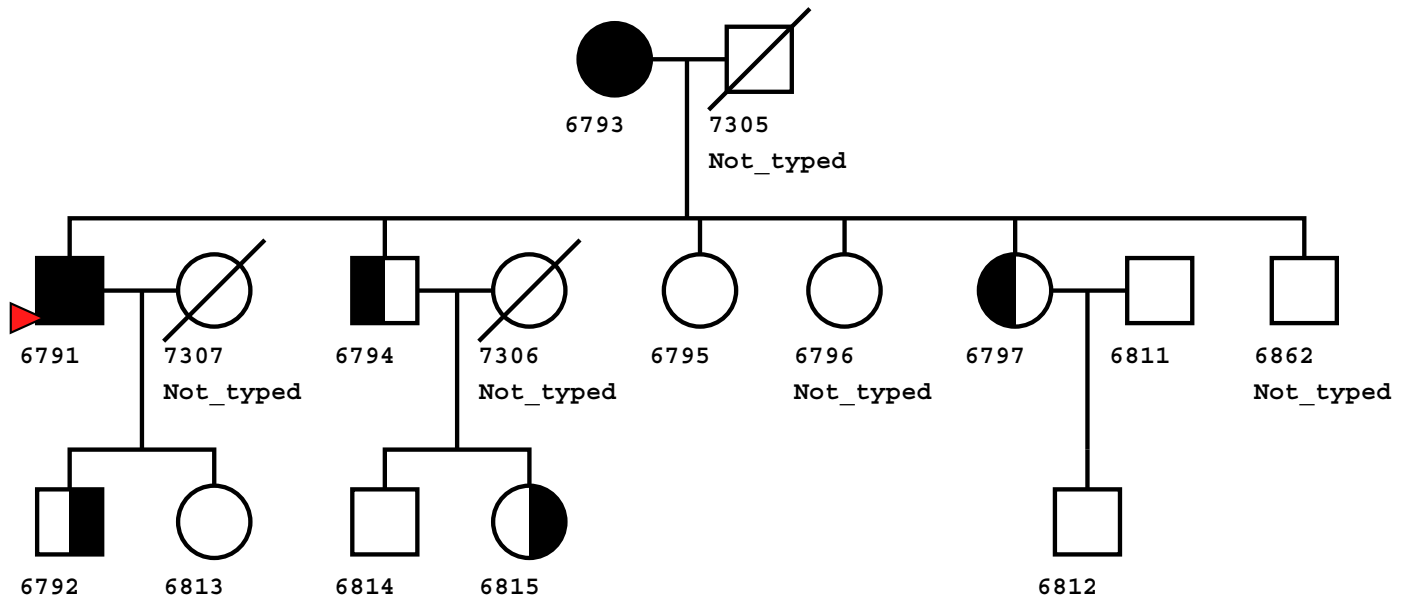




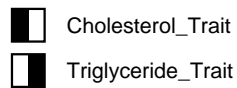
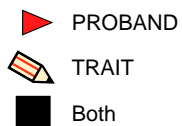
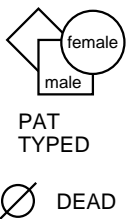
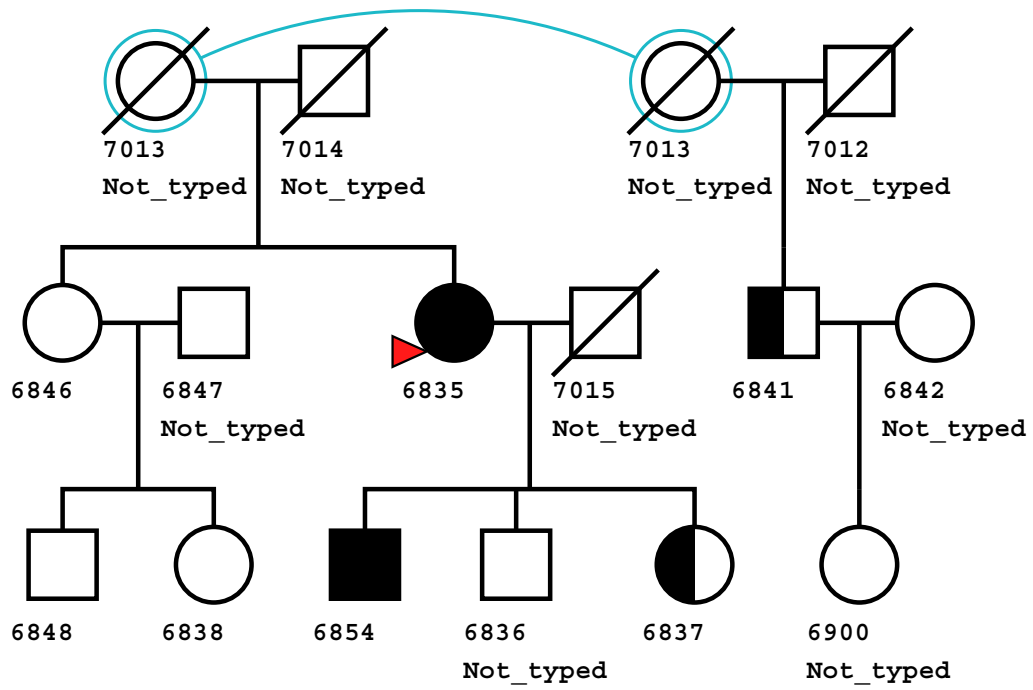


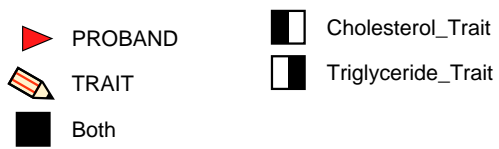
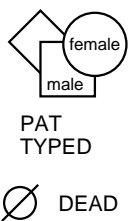
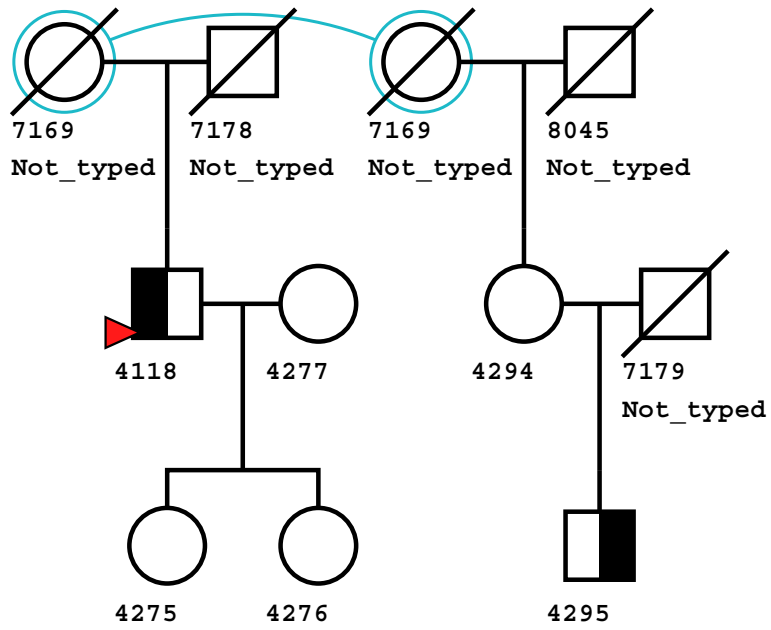


16 individuals

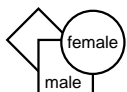
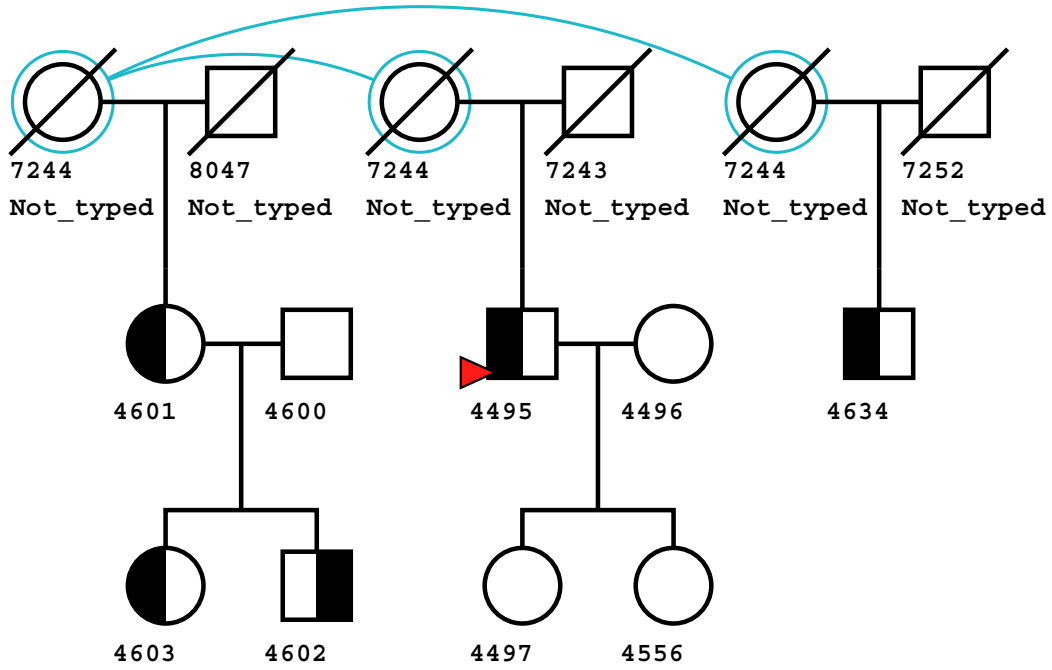


- PROBAND
- TRAIT
- Both
- Cholesterol\_Trait
- Triglyceride\_Trait





15 individuals



PAT TYPED

