



Strathprints Institutional Repository

Osadola, Tolulope and Idris, Siti and Glesk, Ivan (2013) Novel power saving architecture for OCDMA code generation. In: Photonics North 2013, 2013-06-03 - 2013-06-05, Ottawa Congress Centre. ,

This version is available at <http://strathprints.strath.ac.uk/59496/>

Strathprints is designed to allow users to access the research output of the University of Strathclyde. Unless otherwise explicitly stated on the manuscript, Copyright © and Moral Rights for the papers on this site are retained by the individual authors and/or other copyright owners. Please check the manuscript for details of any other licences that may have been applied. You may not engage in further distribution of the material for any profitmaking activities or any commercial gain. You may freely distribute both the url (<http://strathprints.strath.ac.uk/>) and the content of this paper for research or private study, educational, or not-for-profit purposes without prior permission or charge.

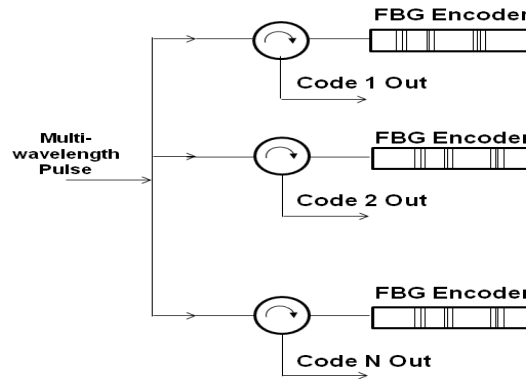
Any correspondence concerning this service should be sent to Strathprints administrator: strathprints@strath.ac.uk

Novel Power Saving Architecture for OCDMA Code Generation

Tolulope Osadola¹, Siti Idris¹ and Ivan Glesk¹

¹Department of Electrical and Electronic Engineering, University of Strathclyde, Glasgow, United Kingdom

Fiber Bragg grating (FBG) optical reflectors have become quite popular for the purpose of encoding and decoding optical code division multiple access (OCDMA) data. When the source of optical signal is a broadband supercontinuum source, the source signal is traditionally distributed equally to all users as shown in architecture in fig. 1. However, we observed that only about 20% of the power that enters into an optical en/decoder is



reflected and the remaining 80% is not used in the en/decoding process.

Fig. 1. Traditional method of generating OCDMA signals from a multiwavelength pulse

We present a novel architecture that will enable both cost and energy efficiency in the process of generating optical CDMA codes. The architecture achieves effective utilization of available optical power by using several cascaded OCDMA encoders. In this new architecture (see Fig. 2), each OCDMA encoder is supplied with multiwavelength optical source by the encoder preceding it.

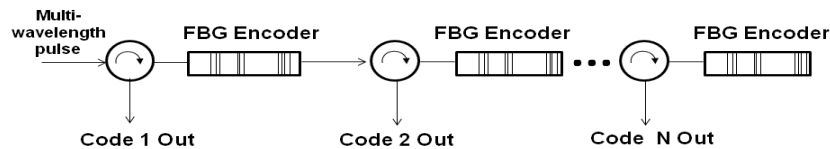


Fig. 2. Proposed cascade method that enables effective utilization of optical power

Using the architecture in fig. 2 instead of the traditional method as depicted in fig.1, we have been able to achieve power savings of up to 3dB for a 4- user OCDMA system. We were also able to eliminate the use of the initial power splitter.