

§5. Development of Electron Density Measurement in High Density Blobs Using Laser Interferometry

Kajita, S., Uchiyama, T., Ohno, N. (Nagoya Univ.), Akiyama, T.

Control of transient heat and particle loads due to ELMs and its impact to divertor materials will be an important issue in future fusion devices. To simulate the harsh condition, extensive experiments have been conducted by using a laser¹⁾, an electron beam²⁾, and a plasma gun³⁾. It has been pointed out that simultaneous irradiation of a plasma and transient loads can lead to a synergistic effect that enhances the surface damages^{4,5)}. We are developing a plasma gun device combined to a steady-state linear plasma device. In this study, characteristics of a plasmoid produced by the plasma gun device were evaluated with an interferometer.

A magnetized coaxial plasma gun device developed in Nagoya University. A compact torus plasma with poloidal and toroidal currents is produced and is ejected. The ejection of the plasma can be controlled with an external bias field coil. A tungsten coated material is used for an internal electrode in the gun to reduce the ejection of material from the electrode during the discharge. The gun is equipped with a magnetic probe and viewing ports for the interferometer at the end part of the chamber.

Figure 1 is a schematic of the optical system of the heterodyne interferometer (actually the probe beam goes back and forth in a plasma). A He-Ne Zeeman laser, which oscillates orthogonal linearly-polarized components with a frequency difference of 208 kHz, is used as a light source. The Zeeman laser enables to build a heterodyne interferometer with simple optical system. The laser beam is split into two: probe and local beams. Polarizers with orthogonal transmission directions at each chord select one of polarization components. Following polarizers whose transmission directions are 45 deg. against orthogonal linear

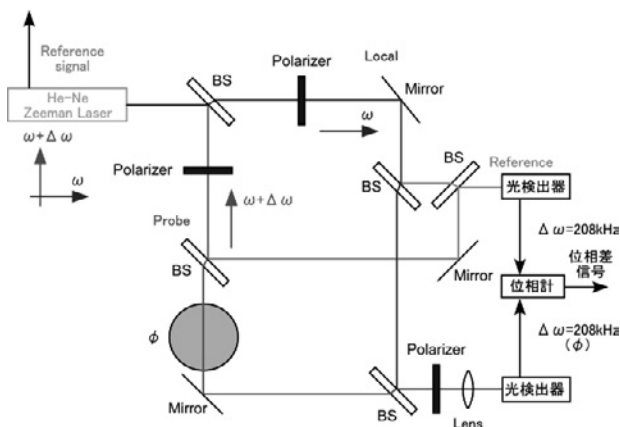


Fig. 1. A schematic of the optical system of the He-Ne Zeeman laser interferometer.

polarizations, interference signals with a beat frequency of $\Delta\omega$ are detected with photodetectors. An analog phase counter or the digital demodulation technique is used for extraction of the phase shift.

Figure 2 shows the temporal evolutions of the electron density and the magnetic flux measured with the interferometer and a magnetic probe, respectively. The reason of the smoothed signal with a delay time of about 50 μs of the density evaluated with the phase counter is expected to be an insufficient time response of the phase counter. It will be replaced with the one with a time response of 5 μs . Supposing that the plasma diameter is almost the same as the inner diameter of the chamber (~ 5 cm), the both density shows that the maximum electron density reaches $1.5 \times 10^{21} \text{ m}^{-3}$. Some of variations of the density signal correspond to these of the magnetic flux. Hence these density variations are possible to reflect the structure of the plasma. Drifts of the zero line before and after a plasma discharge are caused by mechanical vibrations. The frequency of a small oscillation during whole measurement time is the same as that of beat frequency. When the beat signals have DC offsets, such an oscillation is superimposed on the actual density signal in the digital demodulation technique. To confirm the validity of the measurement, the density measurement was conducted without ejecting the plasma to the measurement region.

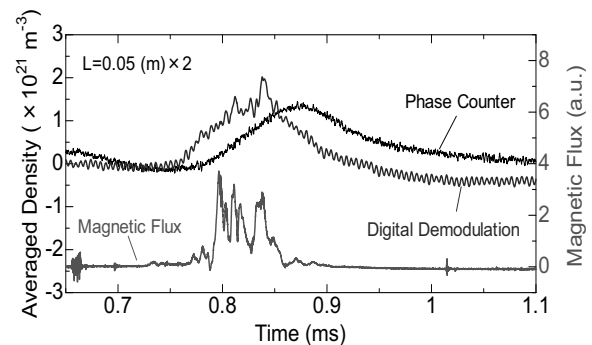


Fig. 2. The temporal evolutions of the electron density measured with interferometer and the signal of a magnetic probe. The density is evaluated two methods: the analog phase counter and the digital demodulation technique.

- 1) S. Kajita, S. Takamura and N. Ohno, Nucl. Fusion, **49** (2009) 032002.
- 2) D. Nishijima, Y. Kikuchi, M. Nakatsuka, M. Baldwin, R. Doerner, M. Nagata and Y. Ueda, Fusion Sci. Technol. **60** (2011) 1447.
- 3) I.E. Garkusha, et al., Journal of Nuclear Materials **337–339** (2005) 707–711.
- 4) S. Kajita et al. J. Appl. Phys. **100**, (2006) 103304.
- 5) S. Kajita et al., Appl. Phys. Lett. **91** (2007) 261501.