

University of New Hampshire  
**University of New Hampshire Scholars' Repository**

---

Division 12 – Furnishings

Chapter 5 – Technical Construction and  
Renovation Standards

---

2-12-2013

# 129300 - Attachment D - Bench Type 4

Sandra Hickey  
[sandra.hickey@unh.edu](mailto:sandra.hickey@unh.edu)

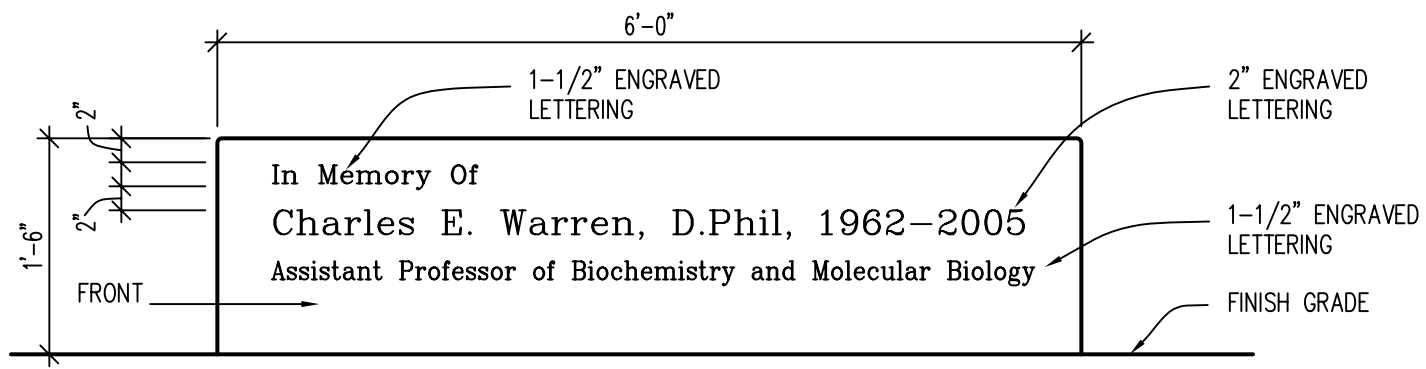
Follow this and additional works at: [https://scholars.unh.edu/pdch\\_5\\_12](https://scholars.unh.edu/pdch_5_12)

---

## Recommended Citation

Hickey, Sandra, "129300 - Attachment D - Bench Type 4" (2013). *Division 12 – Furnishings*. 10.  
[https://scholars.unh.edu/pdch\\_5\\_12/10](https://scholars.unh.edu/pdch_5_12/10)

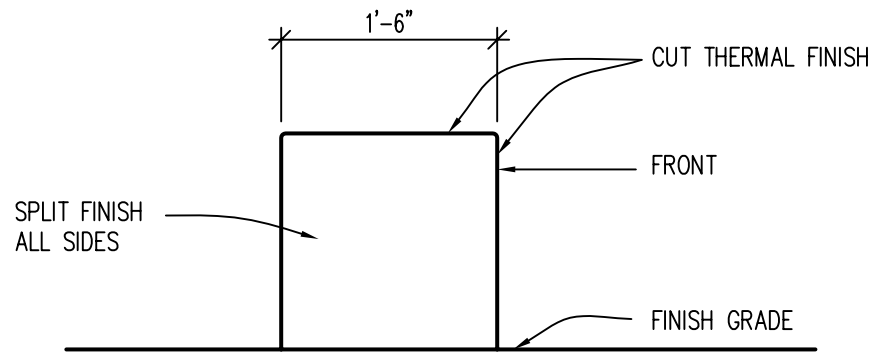
This Article is brought to you for free and open access by the Chapter 5 – Technical Construction and Renovation Standards at University of New Hampshire Scholars' Repository. It has been accepted for inclusion in Division 12 – Furnishings by an authorized administrator of University of New Hampshire Scholars' Repository. For more information, please contact [nicole.hentz@unh.edu](mailto:nicole.hentz@unh.edu).



1. GRANITE TO BE CHELMSFORD, SWENSON OR APPROVED EQUAL
2. EASE ALL EXPOSED EDGES 3/8" RADIUS
3. PROVIDE SHOP DRAWINGS
4. INSTALL BENCHES LEVEL
5. SET ALL BENCHES IN A GROUP AT THE SAME ELEVATION.

## FRONT ELEVATION

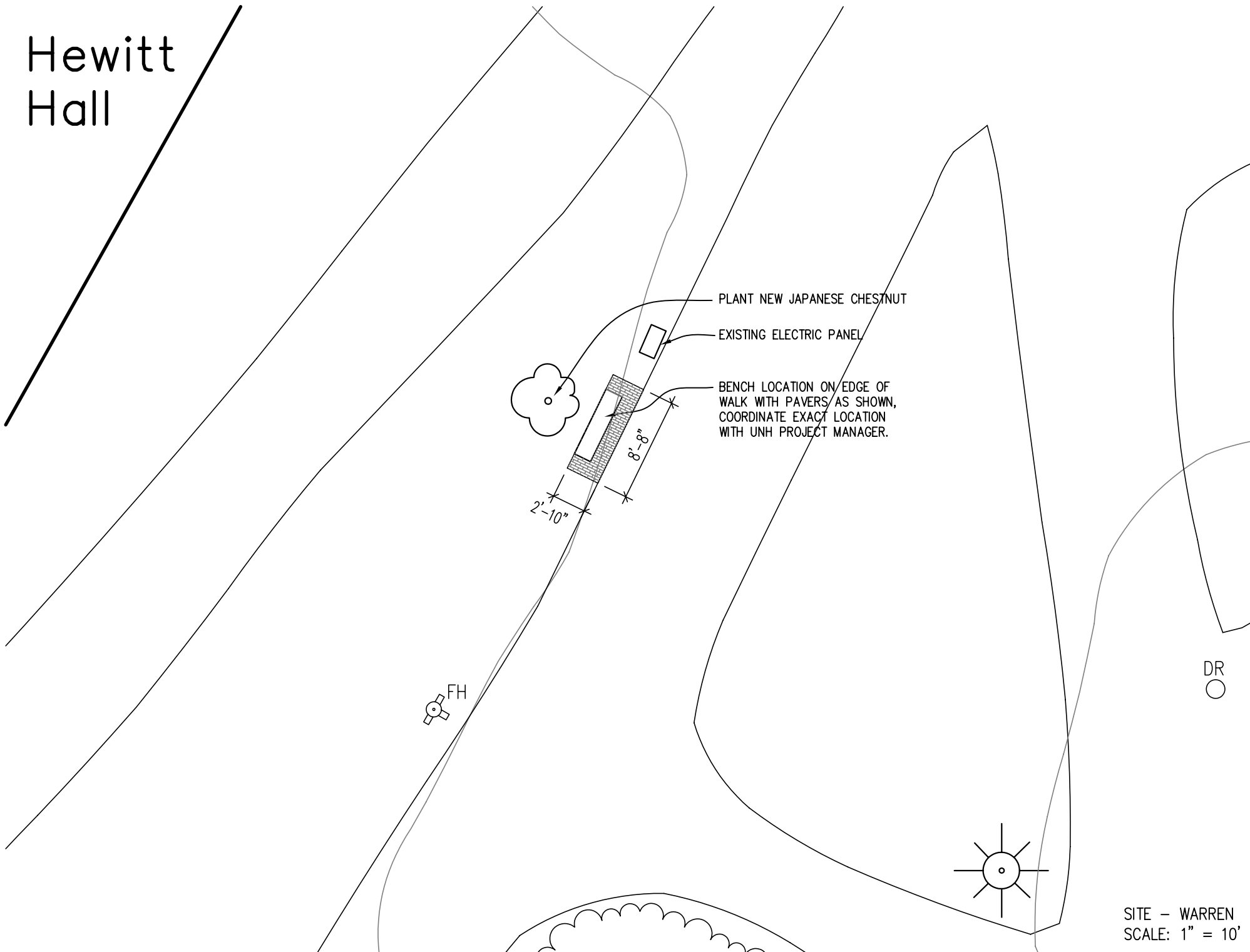
SCALE: 3/4" = 1'-0"



## SECTION

SCALE: 3/4" = 1'-0"

# Hewitt Hall



SITE - WARREN  
SCALE: 1" = 10'