



LAWRENCE
LIVERMORE
NATIONAL
LABORATORY

Tables of specifications and requirements for 1.0 MJ targets for 2010 ignition on NIF

S. W. Haan, G. Deis, J. Klingmann, D. Wilson

October 11, 2005

This document was prepared as an account of work sponsored by an agency of the United States Government. Neither the United States Government nor the University of California nor any of their employees, makes any warranty, express or implied, or assumes any legal liability or responsibility for the accuracy, completeness, or usefulness of any information, apparatus, product, or process disclosed, or represents that its use would not infringe privately owned rights. Reference herein to any specific commercial product, process, or service by trade name, trademark, manufacturer, or otherwise, does not necessarily constitute or imply its endorsement, recommendation, or favoring by the United States Government or the University of California. The views and opinions of authors expressed herein do not necessarily state or reflect those of the United States Government or the University of California, and shall not be used for advertising or product endorsement purposes.

This work was performed under the auspices of the U.S. Department of Energy by University of California, Lawrence Livermore National Laboratory under Contract W-7405-Eng-48.

Tables of specifications and requirements for 1.0 MJ targets for 2010 ignition on NIF

Compiled by Steve Haan and Gary Deis
Drawings compiled by Jeff Klingmann
Lawrence Livermore National Laboratory

Uniform Be(Cu) requirements compiled by Doug Wilson
Los Alamos National Laboratory

September 30, 2005



Notes on target requirements

Requirements for point design in "Point design requirements" and supporting tables and figures
Requirements for CH alternate capsule in "Alt Cap - CH" and supporting tables and figures
Requirements for Uniform Be(Cu) alternate capsule in "Alt Cap - Uniform Be(Cu)" and supporting tables and figures
Requirements for Foam Filled alternate hohlraum in "Alt Hohlraum - Foam" and supporting figures
Requirements for Lined alternate hohlraum in "Alt Hohlraum - Lined" and supporting figures
Any capsule, point design or alternate, can be fielded in any hohlraum, point design or alternate, with the requirements unchanged

Ignition Point Design Requirements - Be Capsule in Gas-Filled Hohlräum

Number	Rev	WBS	Component	Title	short req't	Requirement Text
1	0	I.4.1	Target	Requirements apply at shot temperature	Requirements apply at shot temperature	All requirements on targets shall apply at the temperature of the subject component at the time of the shot
2	0	I.4.1	Target	Tolerances are specified as hard limits	Tolerances are hard limits	Unless specifically stated otherwise, all requirements on targets shall be hard limits (as opposed to statistical values such as 1 sigma, 3 sigma, or RMS). If targets are produced that do not meet hard-limit requirements, they shall be dispositioned on a case-by-case basis by an MRB.
3	0	I.4.1.1	Capsule	Capsule outer radius, range of possible requested values and point-design value	900-1100 µm	Capsules shall be producible with outer radii within the range 900 - 1100 µm. The outer radius of each capsule will be specified within this range. The point design value shall be 1.0 mm.
4	0	I.4.1.1	Capsule	Capsule outer radius, tolerance	± 5µm	The outer radius of the capsule shall be within +/- 5µm of the specified value.
5	0	I.4.1.1	Capsule	Ablator – Low level impurities	sum(atomic fraction)*Z ² < 0.1	Except for allowed ingredients as listed in the ablator composition entries, the ablator material in all layers shall contain sufficiently low impurity levels that the sum over all impurities of atom fraction * Z ² shall be less than or equal to 0.20, i.e. 20%. For example, a barely allowed impurity set would be [C,Al,Si,Mn,Fe,Ni] with atomic fractions 0.01*[.015,.007,.006,.0005,.021,.0031] giving Fe-dominated weighted sum 0.01*(.54+1.18+1.18+0.31+14.20+2.43)=0.20
6	0	I.4.1.1	Capsule	Ablator – High level impurities with known acceptable presence		Ablators may contain specified materials as described in individual ablator composition requirements.
7	0	I.4.1.1	Capsule	Ablator – measurement of x-ray optical depth variations	accuracy <0.01%	Lateral variations in optical depth through the ablator shall be measured with accuracy better than 0.01%, at lateral scales between 120 and 3000 µm (modes 2–25), at 5.4 keV x-ray energy. Entire capsule shall be measured down to 120 µm lateral scale (mode 25). These measurements will constrain porosity, density variations, isolated defects, and variations in thickness of the internal layers. It will be very valuable to have scans of representative patches of representative capsules at lateral scans down to 20 µm (mode 150).
8	0	I.4.1.1	Capsule	Ablator – average mass density	± 3% absolute, ± 1.5 % relative to campaign average	The average ablator density of each target shall be within ± 3% absolute of the specified value, and within ± 1.5% of the average of all targets in each ignition campaign with given ablator
9	0	I.4.1.1	Capsule	Ablator – voids	< 3% void fract, < 0.1 µm ³ void volume	Transverse variations in the column density of the ablator due to voids and/or density nonuniformity shall be less than that corresponding to randomly located voids of volume 0.1 µm ³ summing to void fraction of 3%.
10	0	I.4.1.1	Capsule	Ablator oxide layers		Oxide layers on the inside and outside of the ablator shall have oxygen less than or equal to that of a 100nm layer of 50% O, at density less than twice the bulk density. If present, oxide layers internal to the ablator shall be small enough that the ablator satisfies the requirements on impurities and on optical depth when averaged over any 3 µm layer. Requires an internal layer of BeO at density 3 g/cc to be thinner than 20 nm.
11	0	I.4.1.1	Capsule	Capsule surface isolated defects	see figure	There shall be no isolated defects on the outside of the capsule of size larger than the maximum size shown in the figure "Isolated Surface Defects - Rev 0". There shall be no more than 20 isolated defects whose size is within a factor of three of the limit shown in the figure, and no more than 100 within a factor of 10. An isolated defect is defined as a departure from a surface, smooth at modes > 20, that matches the nearby capsule surface within 10 nm. The defect's "size" is the maximum deviation from that smooth surface.
12	0	I.4.1.1	Capsule	Capsule cleanliness	See isolated defects	The surface of the capsule shall have cleanliness such that no surface contaminants exceed the isolated defect spec or have atomic number Z greater than that of Si. For film contamination, requirement is same as oxide layers. Contaminants other than oxygen have requirement tightened proportional to 1/Z ² .
13	0	I.4.1.12.4	Be(layered dopant) Capsule	Ablator composition	Be	The ablator material shall be beryllium, doped with Cu as described in Table "Ablator layer requirements for layered dopant Be capsule - Rev 0". Oxygen shall be nominally 0.4 at%, <0.8 at% required. Ar shall be < 0.1 at%.
14	0	I.4.1.12.4	Be(layered dopant) Capsule	Ablator total thickness - range of possible requested values	160 µm	Capsule ablator shall be producible with total ablator thickness within the range 150-170µm. The ablator thickness for each capsule will be specified within that range. Current point design 160 µm.

Number	Rev	WBS	Component	Title	short req't	Requirement Text
15	0	I.4.1.12.4	Be(layered dopant) Capsule	Ablator Dopant	Cu	The dopant material for all doped layers shall be Cu
16	0	I.4.1.12.4	Be(layered dopant) Capsule	Ablator layer thicknesses	see table	The thickness of the layers within the ablator shall be as listed in Table "Ablator layer requirements for layered dopant Be capsule - Rev 0"
17	0	I.4.1.12.4	Be(layered dopant) Capsule	Ablator layer dopant concentration	see table	The dopant concentration in each of the layers within the ablator shall be as listed in Table "Ablator layer requirements for layered dopant Be capsule - Rev 0"
18	0	I.4.1.12.4	Be(layered dopant) Capsule	Ablator layer density	see table	The density of each of the layers within the ablator shall be as listed in Table "Ablator layer requirements for layered dopant Be capsule - Rev 0." The current assumption is that density will be 1.75, but higher density would provide better performance. Density is to be known within 3% and reproducible within 1.5%.
19	0	I.4.1.12.4	Be(layered dopant) Capsule	Ablator inner surface figure	see table	The power spectrum of the deviation of the inner surface of the Be ablator from a perfect sphere of the same average radius shall not exceed the spectrum in Table "Surface roughness and thickness power spectra for layered dopant Be capsule - Rev 0." "Shall not exceed" means that the 2D power in modes 1-12 shall be less than that tabulated, and the 1D power in a trace, summed over any +/- 15% bandwidth above mode 12 shall be less than that of the same bandwidth for the reference power spectra.
20	0	I.4.1.12.4	Be(layered dopant) Capsule	Ablator thickness non-uniformity	see table	The power spectrum of the non-uniformity of the cumulative thickness of each layer shall not exceed the spectrum in Table "Surface roughness and thickness power spectra for layered dopant Be capsule - Rev 0." "Shall not exceed" means that the 2D power in modes 1-12 shall be less than that tabulated, and the 1D power in a trace, summed over any +/- 15% bandwidth above mode 12 shall be less than that of the same bandwidth for the reference power spectra.
21	0	I.4.1.1	Capsule fill tube and hole	Fill tube orientation wrt/ Hohlraum	$\pm 10^\circ$ of waist, $\pm 10^\circ$ of perpendicular to the $\theta = 90^\circ \phi = 340^\circ$ LOS	The capsule fill tube shall be oriented within +/- 10° of waist, azimuth within +/- 10° of perpendicular to the $\theta = 90^\circ \phi = 340^\circ$ LOS
22	0	I.4.1.1	Capsule fill tube and hole	Fill hole through ablator - configuration	see figure	The fill hole through the ablator shall have mass deficit less than or equal to 1.25* the mass deficit of the hole in Figure "Fill tube configuration - Rev 0". The figure is representative of one allowed configuration but is not required. The actual values of dimensions such as those shown in the figure shall be measured with an accuracy better than 20% for each capsule.
23	0	I.4.1.1	Capsule fill tube and hole	Fill tube configuration at capsule	see figure	The fill tube shall have OD less than 15 μm . The OD < 15 μm shall be maintained for at least 100 microns from the capsule surface. The current point design, which is not a requirement, is that the tube be configured and installed in conformance with Figure "Fill tube configuration - Rev 0". The actual values of dimensions such as those shown in the figure shall be measured with an accuracy better than 20% for each capsule.
24	0	I.4.1.1	Capsule fill tube and hole	Fill tube material composition	Z <= Si	The fill tube shall be composed of material with Z less than or equal to Si, and shall contain less than 100%/Z ² of other-than-nominal elements. Its density shall be less than 2.5 g/cc, and known to +/- 10%. Current point design material is SiO ₂ , density 2.2 g/cc.
25	0	I.4.1.1	Capsule fill tube and hole	Fill tube glue composition	known	The composition of the glue attaching the fill tube to the capsule shall be known with an accuracy better than 100%/Z ² atomic fraction
26	0	I.4.1.1	Capsule fill tube and hole	Fill tube glue fillet mass	< 2.5e-9g	The mass of the glue fillet shall be < 2.5e-9g, and shall be known with an accuracy better than 1e-9 g. The glue fillet is defined as the glue that extends outside the average outer radius of the capsule. In addition, the mass of glue that extends inside the average outer radius of the capsule shall be known with an accuracy better than 1e-9 g.
27	0	I.4.1.1	Capsule fill tube and hole	Fill tube in hohlraum	< 2e-6 g	The mass of the fill tube in the hohlraum shall be less than 2e-6 g. Note that a 10 micron rod of glass 1.6 mm long has mass 3.1e-7, and a tube with radius proportional to distance from the hohlraum center has mass 1.1e-6.
28	0	I.4.1.1.5	DT fuel	D/T ratio	D/T 47-53%	The fuel shall be a mixture of deuterium and tritium, consisting of 47-53% deuterium at shot time. The D/T ratio shall be known for each target with an accuracy better than 3%

Number	Rev	WBS	Component	Title	short req't	Requirement Text
29	0	I.4.1.1.5	DT fuel	Protium concentration	<0.1%	The concentration of protium in the DT fuel shall be less than 0.1%, and shall be known for each target with an accuracy of better than 0.05%
30	0	I.4.1.1.5	DT fuel	He3 concentration	<36 hours goal 24 hours	The He3 fraction in the target at shot time shall be less than the fraction that would result from 36 hours of decay from pure DT. The design goal shall be 24 hours. Current assumed nominal is 31 hours.
31	0	I.4.1.1.5	DT fuel	Concentration of other impurities	<0.003%	The concentration of all impurities in the DT fuel other than H and He3 shall be less than 0.003at%
32	0	I.4.1.1.5	DT fuel	Ice average density	0.25 ± 0.015 g/cc absolute, ± 0.005 g/cc relative	The average density of the DT ice shall be 0.25 ± 0.015 g/cc. The average density of the DT ice for all targets in a campaign shall vary by less than 0.005 g/cc RMS.
33	0	I.4.1.1.5	DT fuel	Ice thickness	see table	For the DT ice layer, the range of possible thicknesses, the point design thickness, and the tolerance shall be as shown in table "DT layer data - Rev 0"
34	0	I.4.1.1.5	DT fuel	Ice thickness nonuniformities	see figure	The power spectrum of DT ice thickness nonuniformities shall be less than the spectra in Table "DT Ice Thickness Power Spectrum - Rev 0." Modes 1-18 shall have 2D power less than the 2D power spectrum, and modes >18 shall be such that 1D trace power summed over any 15% bandwidth is less than the corresponding sum of the tabulated trace spectrum.
35	0	I.4.1.1.5	DT fuel	Cracks, void, defects in inner half of DT layer — void size	<1.5 µm ³	In the inner half of the fuel layer, there shall be no voids, cracks, or defects larger than 1.5 µm ³ . The inner half of the fuel layer is defined as the volume from the average radius to inner radius of the DT layer.
36	0	I.4.1.1.5	DT fuel	Cracks, void, defects in inner half of DT layer — void density	<4vol%	In the inner half of the fuel layer, the density of voids, cracks, or defects shall be less than 4 vol%. The inner half of the fuel layer is defined as the volume from the average radius to inner radius of the DT layer.
37	0	I.4.1.1.5	DT fuel	Cracks, void, defects in outer half of DT layer — void size	<0.3 µm ³	In the outer half of the fuel layer, there shall be no voids, cracks, or defects larger than 0.3 µm ³ . The outer half of the fuel layer is defined as the volume from the average radius to outer radius of the DT layer.
38	0	I.4.1.1.5	DT fuel	Cracks, void, defects in outer half of DT layer — void density	<4vol%	In the outer half of the fuel layer, there density of voids, cracks, or defectsshall be less than 4 vol%. The outer half of the fuel layer is defined as the volume from the average radius to outer radius of the DT layer.
39	0	I.4.1.1.5	DT fuel	Central temperature, as equivalent to DT gas density	0.3 ± 0.05 mg/cc	The central temperature of the DT fuel shall correspond to an equilibrium gas density of 0.3 mg/cc ± 0.05 mg/cc. The corresponding gas density shall be known with an accuracy better than 0.02 mg/cc. This corresponds to knowledge of the temperature inside capsule with an accuracy better than +/- 85mK
40	0	I.4.1.1.5	DT fuel	Gap between ice and ablator	variations due to ice+gaps<20% RMS of total variation	Lateral variations in the column density of the ice and gaps from R(ablator inner)-2µm to R(ablator, inner)+2µm shall be less than 20% RMS of the total variation in column density (of ice, gaps, and ablator) over the same range. This is equivalent to the requirement that the variations in column density over that range are at least 80% RMS due to column density variations within the ablator alone.
41	0	I.4.1.1.5	DT fuel	Fractionation of DT	T fract = 0.5 +/- 0.1	The tritium fraction in any cubic volume 50µm on each side shall be 0.5 +/- 0.1
42	0	I.4.1.2	Hohlraum	Hohlraum configuration - range of requested values	see dwg	Hohlraums shall be producible with features in the dimensional ranges shown in Figure "Range of possible hohlraum dimensions"
43	0	I.4.1.2	Hohlraum	LEH stay-out zone	see dwg	Any object that protrudes into the LEH stayout zone shown in Figure "LEH Stayout Zone - Rev 0" shall be reviewed and approved by the physics group as a part of the approval of the overall target design. As a design goal, there shall be no objects in the stayout zone.
44	0	I.4.1.2.1	Hohlraum	Hohlraum wall composition	3 layers Au U0.75/Au0.25 low-Z@waistband	The hohlraum shall be composed of several layers, with configuration as shown in Figures "Gas filled hohlraum point design (b)", Details A and D. The inner layer shall be Au, 0.2 microns thick. The second layer shall be 75 at% U, 25 at% Au, with less than 5 at% O, with thickness at least 7 microns. If this second layer is less than 10 microns thick, it shall be backed with a gold layer so that the the total thickness is at least 10 microns. The high-Z layers may be backed with a backing layer. In the waistband area, the backing layer shall be a material with Z<= 13 (Al), with maximum thickness 150 microns. The material in the backing layer outside the waistband is not specified. For each hohlraum, the composition of the inner Au layer and of the Au:U layer shall be known to <5% for each ingredient.

Number	Rev	WBS	Component	Title	short req't	Requirement Text
45	0	I.4.1.2.2	Hohlraum	LEH shield material	same as hohlraum	The LEH shields shall be composed of the same material as the hohlraum, cocktail material coated on a gold substrate, with an outermost gold coating 0.2 µm thick. Cocktail shall be at least 7 microns thick, and the gold substrate at least 11 microns thick.
46	0	I.4.1.2.2	Hohlraum	LEH shield low-z overcoat material	CH full density	The overcoat on the LEH shield shall be composed of CH, density 1.05 +/- 5%, composition characterized to +/-10% on all known materials (C, H, <10% O) and <100%/Z^2 for all impurities.
47	0	I.4.1.2.2	Hohlraum	LEH shield support material	Kapton, 200 nm ± 35 nm	The material used for supporting the LEH shields shall be Kapton polyimide C22H10N2O5, with thickness of 200 nm ± 35 nm, density 1.42 g/cc +/- 10%.
48	0	I.4.1.2.4	Hohlraum	LEH window - composition	Uplix + 20nm Al	The LEH window shall be composed of Uplix polyimide C22H10N2O4, coated with 20 +/- 5nm Al. The content of impurities shall be less than than 100%/Z^2
49	0	I.4.1.2.4	Hohlraum	LEH window - density	1.47 g/cc	The density of the LEH window material (not including the Al coating) shall be 1.47 g/cc +/- 10%
50	0	I.4.1.2.4	Hohlraum	LEH window - glue	< 50 µm	Glue to afix LEH window shall be < 50 microns thick and end within 100 microns of the LEH liner, as shown in hohlraum drawing (b)
51	0	I.4.1.2.1	Hohlraum	Neutron line of sight window thickness	see hohlraum wall	The window through the hohlraum for the neutron line of sight shall have arial density less than or equal to that specified in "hohlraum wall composition", with variations in arial density <50% over a field of view with diameter >= 400 µm . The current configuration of an entire band for the x-ray line of sight provides for the neutron line of sight.
52	0	I.4.1.2.1	Hohlraum	X-ray line of sight	see hohlraum wall	For the x-ray line of sight there shall be a band around the waist of the hohlraum, at least 400 µm wide, with composition as specified in "hohlraum wall composition." Variations in arial density of the high Z material shall be <1.5% over a field of view with diameter >= 400 µm.
53	0	I.4.1.2.4	Hohlraum	Tent – uniformity/roughness	same as ablator	The thickness uniformity of the tent where it contacts the ablator shall provide a surface smoothness that meets capsule roughness requirement
54	0	I.4.1.2.4	Hohlraum	Tent - composition	Kapton	The tent shall be composed of Kapton polyimide C22H10N2O5. The material composition shall be known with an accuracy of +/-5% on all ingredients known to be present, and less than 100%/Z^2 for all impurities
55	0	I.4.1.2.4	Hohlraum	Tent - density	1.42 g/cc	The tent material shall have a density of 1.42 g/cc +/- 5%
56	0	I.4.1.2.1	Hohlraum	Starburst pattern	see dwg	The feature size and total area of the starburst pattern shall be less than 120% of the design in Figure "Hohlraum Starburst Pattern"
57	0	I.4.1.2	Hohlraum	Hohlraum cleanliness	< 2.5e-6 g	The interior surface of the hohlraum and LEH shield shall have cleanliness such that total mass of contaminants is less than 2.5e-6g (1% of mass of foam or gas fill)
58	0	I.4.1.2	Gas-filled hohlraum	Hohlraum configuration - dimensions and tolerances	see dwg	The hohlraum configuration shall be as shown in Figures "Gas filled hohlraum design" (a) and (b). For parameters which may be requested over a specified range of values, the tolerances shown will apply at the requested dimension
59	0	I.4.1.2.2	Gas-filled hohlraum	Hohlraum gas fill – composition	He	The hohlraum shall be filled with a mixture of He and H, with a H density specified in the range from 0 to 0.65mg/cc. The point design value of H density shall be zero.
60	0	I.4.1.2.2	Gas-filled hohlraum	Hohlraum gas fill – density	1.3e-3 ± 1.0e-4 g/cm3	The density of the gas filling the hohlraum shall be 1.3e-3 ± 1.0e-4 g/cm3
61	0	I.4.1.2.2	Gas-filled hohlraum	LEH liner - composition	CH full density	The lining on the LEH shall be composed of CH, density 1.05 +/- 5%, composition characterized to +/-10% on all known materials (C, H, <10% O) and <100%/Z^2 for all impurities.
62	0	I.4.1.2.4	Gas-filled hohlraum	Convection baffles	same as tent	Convection baffles shall be meet the same thickness and composition requirements as the shield supports.
63	0	I.4.1	Target	Target orientation in target chamber - hohlraum axis	vertical ± 4 mrad	The angle between the hohlraum axis and the target chamber axis shall be less than +/- 4 mrad.
64	0	N.L	Laser	Beam alignment with target LEHs	< 10 µm RMS	The RMS distance from the centroids of the laser beams to the centroid of the respective LEH shall be less than 10 µm. The distance is measured in 3D, including R and Z components.
65	0	N.L	Laser	Laser pulse shape, energy, peak power	See Table	The laser pulses for the 4 cones shall be as specified in Table "Laser pulse shape - Rev 0". The peak power and total energy associated with these specified pulse shapes are shown in Table "Laser peak power and total energy for required pulse shapes."
66	0	N.L	Laser	Reproducibility of total laser power P(t)	3% RMS	The total laser power incident on the hohlraum as a function of time, smoothed over any 2ns window, shall be reproducible shot to shot to better than 3% RMS

Number	Rev	WBS	Component	Title	short req't	Requirement Text
67	0	N.L	Laser	Laser power imbalance	TBD	TBD. Currently assumed to be per Jones memo.
68	0	N.L	Laser	Spot shape	See Table	The shape of the laser spot shall be as defined in Table "Laser Spot Shapes - Rev 0". The position-dependent relative intensity at any point shall be either (i) within +/- 10% of the specified values, or (ii) less than 0.5% of the central intensity.
69	0	N.L	Laser	SSD bandwidth	90-150 GHz @1w	The SSD bandwidth shall be 90 GHz @1w, with the capability to go to 150 GHz
70	0	N.L	Laser	Polarization smoothing	Checkerboard	The upper and lower beams in each laser quad (as viewed from target chamber center) shall have orthogonal polarizations.
71	0	N.L	Laser	2-color separation	1.9 +/- 10% angstrom @ 1w, adjustable +/- 0.7 angstrom	The separation of the two colors shall be adjustable between 1.2 and 2.6 angstroms at 1w. The point design value shall be 1.9 +/- 10% angstrom
72	0	N.L	Laser	Beam pointing	see table	Each individual beam (not quad) shall be pointed to place the best focus of the beam in the plane of the LEH, in the phi plane of the lens, at the radius from the hohlraum axis shown in Table "Beam pointing - Rev 0"
73	0	N.L	Laser	Beam positioning errors	<50 µm rms	The deviations of the individual beam positions from their aim points (on each shot) shall be less than 50 µm RMS.
73	<=highest s/n used			last line		

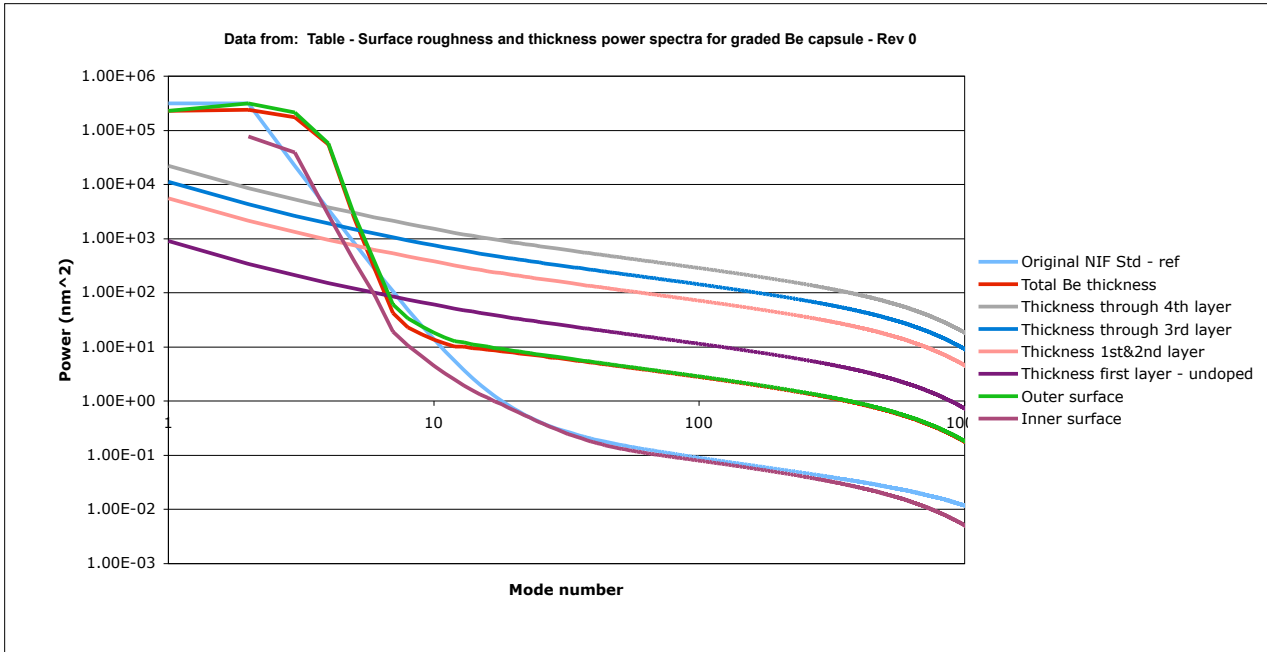
Ablator layer requirements for graded doped Be capsule - Rev 0

Layer no	Point Design Inner Radius, μm (ref)	Point Design Outer Radius, μm (ref)	Required Thickness, μm	Required Dopant Concentration, at %	Required Density, g/cc (note 1)
Total, all layers	840	1000	160 +/- 3	n/a	n/a
5	915	1000	as required (nominally 85)	Outer 70 μm <0.05	1.75 +/- 3%
				Outer 80 μm <0.10	
4	900	915	15 +/- 3	0.35 +/- 0.1	1.785 +/- 3%
3	850	900	50 +/- 3	0.7 +/- 0.1	1.82 +/- 3%
2	845	850	5 +/- 1.5	0.35 +/- 0.1	1.785 +/- 3%
1	840	845	5 +/- 1	inner 3mm, <0.05	1.75 +/- 3%

Notes

- Note that Capsule-to-capsule density variations are limited by another requirement to +/- 1.5%

Surface roughness and thickness power spectra for graded doped Be capsule - Rev 0



Notes:

1. First table is the 2D power in the low modes, in nm². Requirement for modes 1-12.
2. Second table is the 1D power for each surface in a trace, in nm². Required for modes >12, included for information purposes for low modes
3. Inner surface roughness is defined relative to an ideal sphere of the same average radius.
 Other surfaces are all defined relative to inner surfaces, i.e. they are actually the variation in the thickness
4. Coding that generates trace powers is in surfaces093005.i
5. Outer surface relative to inner surface
6. At low modes, assumes inner surface and thickness are randomly phased.
 At high modes, assumes inner & outer surfaces randomly phased.
7. Second dopant surface, relative to inside of Be shell
8. Third dopant surface, relative to inside of Be shell
9. Fourth dopant surface, relative to inside of Be

Mode number	Original NIF standard, reference, nm ²	Inner surface (radius), nm ²	Total shell thickness, nm ² (note 5)	Outer surface, nm ² (note 6)	Thickness of first doped layer, nm ²	Thickness of 1st+2nd doped layer, nm ² (note 7)	Thickness of 1st+2nd+3rd doped layer, nm ² (note 8)	Thickness of 1st+2nd+3rd+4th doped layer, nm ² (note 9)
2D power								
1	not applicable		122500	122500	739.383	4621.15	9242.29	18484.6
2		101700	275625	377325	308.076	1925.48	3850.96	7701.91
3		61530	275625	337155	191.692	1198.08	2396.15	4792.3
4		4900	99225	104125	138.634	866.465	1732.93	3465.86
5		780	4900	5680	108.443	677.768	1355.54	2711.07
6		185	566.44	751.44	88.9999	556.249	1112.5	2225
7		36	70	106	75.4473	471.546	943.091	1886.18
8		19.8	31.36	51.16	65.4662	409.164	818.328	1636.66
9		12.4	20	32.4	57.8119	361.324	722.648	1445.3
10		8	14	22	51.7568	323.48	646.961	1293.92
11		5.8	9	14.8	46.848	292.8	585.6	1171.2
12		4.3	6	10.3	42.7884	267.427	534.855	1069.71
1D trace power								
1	3.13E+05		227031	2.27E+05	896.646	5604.04	11208.1	22416.1
2	313000	77828.8	237857	315685.8	345.657	2160.35	4320.71	8641.42
3	22000	38678.5	173630	212308.5	211.227	1320.17	2640.33	5280.67
4	3440	2737.4	54418.1	57155.5	152.616	953.848	1907.7	3815.39
5	840	394.719	2439.48	2834.199	120.062	750.391	1500.78	3001.56
6	272	90.2859	272.268	362.5539	99.4294	621.434	1242.87	2485.73
7	107	19.2375	42.4041	61.6416	85.1895	532.434	1064.87	2129.74
8	48.8	10.7192	23.2549	33.9741	74.7962	467.476	934.953	1869.91
9	24.9	6.79828	17.1867	23.98498	66.8646	417.904	835.808	1671.62
10	14	4.52319	13.7607	18.28389	60.6361	378.976	757.951	1515.9

11	8.48	3.29369	11.7253	15.01899	55.5985	347.491	694.981	1389.96
12	5.48	2.51608	10.2307	12.74678	51.4656	321.66	643.32	1286.64
13	3.74	1.92477	10.1633	12.08807	47.9933	299.958	599.917	1199.83
14	2.68	1.57638	9.6009	11.17728	45.0653	281.658	563.316	1126.63
15	2	1.32717	9.25686	10.58403	42.5377	265.861	531.722	1063.44
16	1.55	1.14487	8.92521	10.07008	40.2803	251.752	503.504	1007.01
17	1.24	0.995459	8.62121	9.616669	38.4667	240.417	480.834	961.667
18	1.01	0.871942	8.34124	9.213182	36.8527	230.329	460.659	921.318
19	0.851	0.769054	8.08231	8.851364	35.4054	221.284	442.568	885.136
20	0.729	0.682765	7.84196	8.524725	34.0989	213.118	426.236	852.472
21	0.635	0.609953	7.61812	8.228073	32.9123	205.702	411.404	822.808
22	0.561	0.548169	7.40905	7.957219	31.8289	198.93	397.861	795.722
23	0.503	0.495473	7.21324	7.708713	30.8349	192.718	385.436	770.871
24	0.455	0.450315	7.02941	7.479725	29.9189	186.993	373.986	747.972
25	0.416	0.411445	6.85643	7.267875	29.0715	181.697	363.394	726.788
26	0.384	0.377848	6.69334	7.071188	28.2847	176.78	353.559	707.119
27	0.357	0.348694	6.53927	6.887964	27.5518	172.199	344.398	688.796
28	0.333	0.323299	6.39347	6.716769	26.8671	167.919	335.838	671.677
29	0.313	0.301098	6.25526	6.556358	26.2254	163.909	327.818	655.636
30	0.296	0.281623	6.12405	6.405673	25.6227	160.142	320.284	640.567
31	0.281	0.26448	5.9993	6.26378	25.0551	156.594	313.189	626.378
32	0.268	0.249339	5.88053	6.129869	24.5195	153.247	306.493	612.987
33	0.256	0.235925	5.76731	6.003235	24.0129	150.081	300.162	600.323
34	0.245	0.224001	5.65924	5.883241	23.533	147.081	294.162	588.324
35	0.236	0.213368	5.55597	5.769338	23.0773	144.233	288.467	576.934
36	0.227	0.203857	5.45718	5.661037	22.6441	141.526	283.052	566.103
37	0.219	0.195324	5.36256	5.557884	22.2316	138.947	277.894	555.789
38	0.212	0.187643	5.27186	5.459503	21.838	136.488	272.975	545.951
39	0.205	0.180709	5.18483	5.365539	21.4622	134.139	268.277	536.554
40	0.199	0.17443	5.10124	5.27567	21.1027	131.892	263.783	527.567
41	0.194	0.168726	5.02088	5.189606	20.7584	129.74	259.48	518.961
42	0.189	0.16353	4.94356	5.10709	20.4284	127.677	255.355	510.709
43	0.184	0.158782	4.86911	5.027892	20.1116	125.697	251.394	502.789
44	0.179	0.15443	4.79735	4.95178	19.8071	123.795	247.589	495.178
45	0.175	0.15043	4.72815	4.87858	19.5143	121.964	243.929	487.858
46	0.171	0.146742	4.66136	4.808102	19.2324	120.202	240.405	480.81
47	0.168	0.143332	4.59684	4.740172	18.9607	118.504	237.009	474.018
48	0.164	0.14017	4.53449	4.67466	18.6986	116.867	233.733	467.466
49	0.161	0.137231	4.47418	4.611411	18.4457	115.285	230.571	461.142
50	0.158	0.13449	4.41582	4.55031	18.2012	113.758	227.516	455.031
51	0.155	0.131928	4.3593	4.491228	17.9649	112.281	224.561	449.123
52	0.152	0.129526	4.30454	4.434066	17.7362	110.852	221.703	443.406
53	0.15	0.12727	4.25144	4.37871	17.5148	109.468	218.935	437.871
54	0.147	0.125145	4.19993	4.325075	17.3003	108.127	216.254	432.507
55	0.145	0.123138	4.14993	4.273068	17.0923	106.827	213.653	427.307
56	0.142	0.121239	4.10137	4.222609	16.8904	105.565	211.131	422.261
57	0.14	0.119438	4.05419	4.173628	16.6945	104.341	208.682	417.363
58	0.138	0.117726	4.00833	4.126056	16.5042	103.151	206.303	412.605
59	0.136	0.116096	3.96372	4.079816	16.3193	101.995	203.991	407.982
60	0.134	0.11454	3.92031	4.03485	16.1394	100.871	201.743	403.485
61	0.132	0.113053	3.87806	3.991113	15.9644	99.7777	199.555	399.111
62	0.13	0.111629	3.8369	3.948529	15.7941	98.7132	197.426	394.853
63	0.129	0.110263	3.7968	3.907063	15.6282	97.6765	195.353	390.706
64	0.127	0.10895	3.75771	3.86666	15.4666	96.6664	193.333	386.666
65	0.125	0.107687	3.71959	3.827277	15.3091	95.6819	191.364	382.727
66	0.124	0.10647	3.6824	3.78887	15.1555	94.7217	189.443	378.887
67	0.122	0.105296	3.6461	3.751396	15.0056	93.785	187.57	375.14
68	0.121	0.104162	3.61067	3.714832	14.8593	92.8708	185.742	371.483
69	0.12	0.103064	3.57606	3.679124	14.7165	91.9781	183.956	367.913
70	0.118	0.102002	3.54225	3.644252	14.577	91.1063	182.213	364.425
71	0.117	0.100971	3.5092	3.610171	14.4407	90.2543	180.509	361.017
72	0.116	0.0999717	3.47689	3.5768617	14.3075	89.4216	178.843	357.686
73	0.114	0.0990008	3.44529	3.5442908	14.1772	88.6073	177.215	354.429
74	0.113	0.0980568	3.41438	3.5124368	14.0497	87.8109	175.622	351.244
75	0.112	0.0971383	3.38412	3.4812583	13.9251	87.0316	174.063	348.126
76	0.111	0.096244	3.35451	3.450754	13.803	86.2688	172.538	345.075
77	0.11	0.0953724	3.32551	3.4208824	13.6835	85.522	171.044	342.088
78	0.109	0.0945225	3.2971	3.3916225	13.5665	84.7906	169.581	339.162
79	0.108	0.0936932	3.26927	3.3629632	13.4518	84.074	168.148	336.296
80	0.107	0.0928834	3.24199	3.3348734	13.3395	83.3719	166.744	333.487
81	0.106	0.0920922	3.21525	3.3073422	13.2294	82.6836	165.367	330.734
82	0.105	0.0913188	3.18903	3.2803488	13.1214	82.0087	164.017	328.035
83	0.104	0.0905624	3.16331	3.2538724	13.0155	81.3469	162.694	325.387

84	0.103	0.0898222	3.13808	3.2279022	12.9116	80.6976	161.395	322.79
85	0.102	0.0890975	3.11332	3.2024175	12.8097	80.0605	160.121	320.242
86	0.101	0.0883878	3.08902	3.1774078	12.7096	79.4352	158.87	317.741
87	0.1	0.0876923	3.06516	3.1528523	12.6114	78.8213	157.643	315.285
88	0.0992	0.0870106	3.04173	3.1287406	12.515	78.2185	156.437	312.874
89	0.0984	0.0863421	3.01872	3.1050621	12.4202	77.6264	155.253	310.506
90	0.0976	0.0856863	2.99611	3.0817963	12.3272	77.0448	154.09	308.179
91	0.0968	0.0850428	2.97389	3.0589328	12.2357	76.4733	152.947	305.893
92	0.096	0.0844111	2.95205	3.0364611	12.1459	75.9116	151.823	303.647
93	0.0953	0.0837908	2.93059	3.0143808	12.0575	75.3595	150.719	301.438
94	0.0945	0.0831815	2.90948	2.9926615	11.9707	74.8166	149.633	299.266
95	0.0938	0.0825829	2.88873	2.9713129	11.8852	74.2828	148.566	297.131
96	0.0931	0.0819946	2.86831	2.9503046	11.8012	73.7576	147.515	295.031
97	0.0924	0.0814163	2.84823	2.9296463	11.7186	73.2411	146.482	292.964
98	0.0917	0.0808476	2.82846	2.9093076	11.6372	72.7328	145.466	290.931
99	0.091	0.0802883	2.80901	2.8892983	11.5572	72.2325	144.465	288.93
100	0.0904	0.079738	2.78987	2.869608	11.4784	71.7401	143.48	286.96
101	0.0897	0.0791966	2.77102	2.8502166	11.4009	71.2554	142.511	285.021
102	0.0891	0.0786638	2.75246	2.8311238	11.3245	70.778	141.556	283.112
103	0.0885	0.0781392	2.73418	2.8123192	11.2493	70.308	140.616	281.232
104	0.0879	0.0776228	2.71618	2.7938028	11.1752	69.845	139.69	279.38
105	0.0873	0.0771142	2.69844	2.7755542	11.1022	69.3888	138.778	277.555
106	0.0867	0.0766133	2.68096	2.7575733	11.0303	68.9394	137.879	275.758
107	0.0861	0.0761197	2.66374	2.7398597	10.9595	68.4966	136.993	273.986
108	0.0855	0.0756335	2.64677	2.7224035	10.8896	68.0601	136.12	272.24
109	0.085	0.0751543	2.63004	2.7051943	10.8208	67.6298	135.26	270.519
110	0.0844	0.0746819	2.61354	2.6882219	10.7529	67.2057	134.411	268.823
111	0.0839	0.0742163	2.59728	2.6714963	10.686	66.7874	133.575	267.15
112	0.0833	0.0737572	2.58124	2.6549972	10.62	66.375	132.75	265.5
113	0.0828	0.0733044	2.56542	2.6387244	10.5549	65.9682	131.936	263.873
114	0.0823	0.0728579	2.54982	2.6226779	10.4907	65.5669	131.134	262.268
115	0.0818	0.0724175	2.53442	2.6068375	10.4274	65.1711	130.342	260.684
116	0.0813	0.071983	2.51924	2.591223	10.3649	64.7805	129.561	259.122
117	0.0808	0.0715542	2.50425	2.5758042	10.3032	64.395	128.79	257.58
118	0.0803	0.0711311	2.48945	2.5605811	10.2423	64.0147	128.029	256.059
119	0.0798	0.0707136	2.47485	2.5455636	10.1823	63.6392	127.278	254.557
120	0.0793	0.0703014	2.46044	2.5307414	10.123	63.2686	126.537	253.074
121	0.0789	0.0698945	2.44621	2.5161045	10.0644	62.9026	125.805	251.611
122	0.0784	0.0694928	2.43216	2.5016528	10.0066	62.5413	125.083	250.165
123	0.078	0.0690961	2.41829	2.4873861	9.94953	62.1846	124.369	248.738
124	0.0775	0.0687044	2.40458	2.4732844	9.89315	61.8322	123.664	247.329
125	0.0771	0.0683175	2.39105	2.4593675	9.83746	61.4842	122.968	245.937
126	0.0766	0.0679353	2.37768	2.4456153	9.78246	61.1404	122.281	244.561
127	0.0762	0.0675578	2.36447	2.4320278	9.72811	60.8007	121.601	243.203
128	0.0758	0.0671847	2.35142	2.4186047	9.67442	60.4651	120.93	241.86
129	0.0754	0.0668162	2.33852	2.4053362	9.62136	60.1335	120.267	240.534
130	0.075	0.0664519	2.32578	2.3922319	9.56893	59.8058	119.612	239.223
131	0.0746	0.066092	2.31319	2.379282	9.51711	59.4819	118.964	237.928
132	0.0742	0.0657362	2.30074	2.3664762	9.46589	59.1618	118.324	236.647
133	0.0738	0.0653845	2.28843	2.3538145	9.41526	58.8453	117.691	235.381
134	0.0734	0.0650368	2.27626	2.3412968	9.3652	58.5325	117.065	234.13
135	0.073	0.064693	2.26423	2.328923	9.31571	58.2232	116.446	232.893
136	0.0726	0.0643531	2.25234	2.3166931	9.26677	57.9173	115.835	231.669
137	0.0723	0.064017	2.24058	2.304597	9.21838	57.6148	115.23	230.459
138	0.0719	0.0636846	2.22894	2.2926246	9.17052	57.3157	114.631	229.263
139	0.0715	0.0633558	2.21744	2.2807958	9.12318	57.0199	114.04	228.079
140	0.0712	0.0630306	2.20606	2.2690906	9.07635	56.7272	113.454	226.909
141	0.0708	0.0627089	2.1948	2.2575089	9.03004	56.4377	112.875	225.751
142	0.0705	0.0623906	2.18366	2.2460506	8.98421	56.1513	112.303	224.605
143	0.0701	0.0620758	2.17264	2.2347158	8.93887	55.8679	111.736	223.472
144	0.0698	0.0617642	2.16174	2.2235042	8.89401	55.5876	111.175	222.35
145	0.0694	0.0614559	2.15095	2.2124059	8.84962	55.3101	110.62	221.24
146	0.0691	0.0611508	2.14027	2.2014208	8.80568	55.0355	110.071	220.142
147	0.0688	0.0608488	2.1297	2.1905488	8.7622	54.7638	109.528	219.055
148	0.0684	0.0605499	2.11924	2.1797899	8.71916	54.4948	108.99	217.979
149	0.0681	0.060254	2.10889	2.169144	8.67656	54.2285	108.457	216.914
150	0.0678	0.0599611	2.09864	2.1586011	8.63439	53.9649	107.93	215.86
151	0.0675	0.0596712	2.08849	2.1481612	8.59264	53.704	107.408	214.816
152	0.0672	0.0593841	2.07844	2.1378241	8.5513	53.4456	106.891	213.782
153	0.0668	0.0590999	2.06849	2.1275899	8.51037	53.1898	106.38	212.759
154	0.0665	0.0588184	2.05864	2.1174584	8.46984	52.9365	105.873	211.746
155	0.0662	0.0585396	2.04888	2.1074196	8.4297	52.6856	105.371	210.742
156	0.0659	0.0582636	2.03922	2.0974836	8.38995	52.4372	104.874	209.749

157	0.0656	0.0579902	2.02965	2.0876402	8.35058	52.1911	104.382	208.764
158	0.0653	0.0577194	2.02018	2.0778994	8.31158	51.9474	103.895	207.789
159	0.0651	0.0574511	2.01079	2.0682411	8.27295	51.7059	103.412	206.824
160	0.0648	0.0571853	2.00149	2.0586753	8.23468	51.4668	102.934	205.867
161	0.0645	0.0569221	1.99227	2.0491921	8.19677	51.2298	102.46	204.919
162	0.0642	0.0566612	1.98314	2.0398012	8.15921	50.9951	101.99	203.98
163	0.0639	0.0564028	1.9741	2.0305028	8.122	50.7625	101.525	203.05
164	0.0636	0.0561467	1.96513	2.0212767	8.08512	50.532	101.064	202.128
165	0.0634	0.055893	1.95625	2.012143	8.04858	50.3036	100.607	201.215
166	0.0631	0.0556415	1.94745	2.0030915	8.01237	50.0773	100.155	200.309
167	0.0628	0.0553923	1.93873	1.9941223	7.97648	49.853	99.706	199.412
168	0.0626	0.0551453	1.93008	1.9852253	7.94091	49.6307	99.2614	198.523
169	0.0623	0.0549004	1.92151	1.9764104	7.90566	49.4104	98.8207	197.641
170	0.0621	0.0546577	1.91302	1.9676777	7.87071	49.1919	98.3839	196.768
171	0.0618	0.0544172	1.9046	1.9590172	7.83607	48.9754	97.9509	195.902
172	0.0615	0.0541787	1.89625	1.9504287	7.80173	48.7608	97.5216	195.043
173	0.0613	0.0539422	1.88798	1.9419222	7.76768	48.548	97.096	194.192
174	0.061	0.0537078	1.87977	1.9334778	7.73393	48.337	96.6741	193.348
175	0.0608	0.0534754	1.87164	1.9251154	7.70046	48.1279	96.2557	192.511
176	0.0605	0.053245	1.86357	1.916815	7.66727	47.9205	95.8409	191.682
177	0.0603	0.0530164	1.85557	1.9085864	7.63436	47.7148	95.4296	190.859
178	0.0601	0.0527898	1.84764	1.9004298	7.60173	47.5108	95.0216	190.043
179	0.0598	0.0525651	1.83978	1.8923451	7.56937	47.3086	94.6171	189.234
180	0.0596	0.0523422	1.83198	1.8843222	7.53727	47.108	94.2159	188.432
181	0.0594	0.0521211	1.82424	1.8763611	7.50544	46.909	93.818	187.636
182	0.0591	0.0519018	1.81656	1.8684618	7.47387	46.7117	93.4233	186.847
183	0.0589	0.0516844	1.80895	1.8606344	7.44255	46.5159	93.0318	186.064
184	0.0587	0.0514686	1.8014	1.8528686	7.41148	46.3217	92.6435	185.287
185	0.0584	0.0512546	1.79391	1.8451646	7.38066	46.1291	92.2583	184.517
186	0.0582	0.0510423	1.78648	1.8375223	7.35009	45.938	91.8761	183.752
187	0.058	0.0508316	1.77911	1.8299416	7.31975	45.7485	91.4969	182.994
188	0.0578	0.0506226	1.77179	1.8224126	7.28966	45.5604	91.1208	182.242
189	0.0576	0.0504153	1.76454	1.8149553	7.2598	45.3738	90.7475	181.495
190	0.0573	0.0502095	1.75733	1.8075395	7.23017	45.1886	90.3772	180.754
191	0.0571	0.0500054	1.75019	1.8001954	7.20078	45.0048	90.0097	180.019
192	0.0569	0.0498028	1.7431	1.7929028	7.1716	44.8225	89.645	179.29
193	0.0567	0.0496017	1.73606	1.7856617	7.14265	44.6416	89.2831	178.566
194	0.0565	0.0494022	1.72908	1.7784822	7.11392	44.462	88.924	177.848
195	0.0563	0.0492042	1.72215	1.7713542	7.08541	44.2838	88.5676	177.135
196	0.0561	0.0490077	1.71527	1.7642777	7.05711	44.1069	88.2138	176.428
197	0.0559	0.0488126	1.70844	1.7572526	7.02902	43.9314	87.8627	175.725
198	0.0557	0.048619	1.70166	1.750279	7.00114	43.7571	87.5142	175.028
199	0.0555	0.0484268	1.69494	1.7433668	6.97346	43.5841	87.1683	174.337
200	0.0553	0.048236	1.68826	1.736496	6.94599	43.4124	86.8249	173.65
201	0.0551	0.0480466	1.68163	1.7296766	6.91872	43.242	86.484	172.968
202	0.0549	0.0478586	1.67505	1.7229086	6.89164	43.0728	86.1455	172.291
203	0.0547	0.047672	1.66852	1.716192	6.86477	42.9048	85.8096	171.619
204	0.0545	0.0474867	1.66203	1.7095167	6.83808	42.738	85.476	170.952
205	0.0543	0.0473027	1.65559	1.7028927	6.81158	42.5724	85.1448	170.29
206	0.0541	0.04712	1.6492	1.69632	6.78528	42.408	84.816	169.632
207	0.0539	0.0469386	1.64285	1.6897886	6.75916	42.2447	84.4895	168.979
208	0.0537	0.0467585	1.63655	1.6833085	6.73322	42.0826	84.1653	168.331
209	0.0536	0.0465796	1.63029	1.6768696	6.70746	41.9217	83.8433	167.687
210	0.0534	0.046402	1.62407	1.670472	6.68189	41.7618	83.5236	167.047
211	0.0532	0.0462256	1.6179	1.6641256	6.65649	41.603	83.2061	166.412
212	0.053	0.0460504	1.61177	1.6578204	6.63126	41.4454	82.8908	165.782
213	0.0528	0.0458765	1.60568	1.6515565	6.60621	41.2888	82.5776	165.155
214	0.0527	0.0457037	1.59963	1.6453337	6.58133	41.1333	82.2666	164.533
215	0.0525	0.045532	1.59362	1.639152	6.55662	40.9788	81.9577	163.915
216	0.0523	0.0453616	1.58766	1.6330216	6.53207	40.8254	81.6509	163.302
217	0.0521	0.0451923	1.58173	1.6269223	6.50769	40.673	81.3461	162.692
218	0.052	0.0450241	1.57584	1.6208641	6.48347	40.5217	81.0433	162.087
219	0.0518	0.044857	1.57	1.614857	6.45941	40.3713	80.7426	161.485
220	0.0516	0.044691	1.56419	1.608881	6.43551	40.2219	80.4439	160.888
221	0.0514	0.0445262	1.55842	1.6029462	6.41177	40.0735	80.1471	160.294
222	0.0513	0.0443624	1.55268	1.5970424	6.38818	39.9261	79.8523	159.705
223	0.0511	0.0441996	1.54699	1.5911896	6.36475	39.7797	79.5593	159.119
224	0.0509	0.044038	1.54133	1.585368	6.34146	39.6342	79.2683	158.537
225	0.0508	0.0438773	1.53571	1.5795873	6.31833	39.4896	78.9792	157.958
226	0.0506	0.0437177	1.53012	1.5738377	6.29535	39.3459	78.6919	157.384
227	0.0504	0.0435591	1.52457	1.5681291	6.27251	39.2032	78.4064	156.813
228	0.0503	0.0434015	1.51905	1.5624515	6.24982	39.0614	78.1228	156.246
229	0.0501	0.043245	1.51357	1.556815	6.22727	38.9205	77.8409	155.682

230	0.05	0.0430894	1.50813	1.5512194	6.20487	38.7804	77.5608	155.122
231	0.0498	0.0429347	1.50272	1.5456547	6.1826	38.6413	77.2825	154.565
232	0.0497	0.0427811	1.49734	1.5401211	6.16047	38.503	77.0059	154.012
233	0.0495	0.0426284	1.49199	1.5346184	6.13848	38.3655	76.7311	153.462
234	0.0493	0.0424766	1.48668	1.5291566	6.11663	38.2289	76.4579	152.916
235	0.0492	0.0423258	1.4814	1.5237258	6.09491	38.0932	76.1864	152.373
236	0.049	0.0421759	1.47616	1.5183359	6.07332	37.9583	75.9165	151.833
237	0.0489	0.0420269	1.47094	1.5129669	6.05187	37.8242	75.6484	151.297
238	0.0487	0.0418788	1.46576	1.5076388	6.03054	37.6909	75.3818	150.764
239	0.0486	0.0417316	1.4606	1.5023316	6.00935	37.5584	75.1168	150.234
240	0.0484	0.0415853	1.45548	1.4970653	5.98828	37.4267	74.8535	149.707
241	0.0483	0.0414398	1.45039	1.4918298	5.96733	37.2958	74.5917	149.183
242	0.0481	0.0412952	1.44533	1.4866252	5.94651	37.1657	74.3314	148.663
243	0.048	0.0411515	1.4403	1.4814515	5.92582	37.0364	74.0727	148.145
244	0.0479	0.0410086	1.4353	1.4763086	5.90524	36.9078	73.8155	147.631
245	0.0477	0.0408666	1.43033	1.4711966	5.88479	36.7799	73.5599	147.12
246	0.0476	0.0407254	1.42539	1.4661154	5.86446	36.6529	73.3057	146.611
247	0.0474	0.040585	1.42048	1.461065	5.84424	36.5265	73.053	146.106
248	0.0473	0.0404454	1.41559	1.4560354	5.82414	36.4009	72.8018	145.604
249	0.0471	0.0403067	1.41073	1.4510367	5.80416	36.276	72.552	145.104
250	0.047	0.0401687	1.4059	1.4460687	5.78429	36.1518	72.3037	144.607
251	0.0469	0.0400315	1.4011	1.4411315	5.76454	36.0284	72.0568	144.114
252	0.0467	0.0398951	1.39633	1.4362251	5.7449	35.9056	71.8112	143.622
253	0.0466	0.0397595	1.39158	1.4313395	5.72537	35.7836	71.5671	143.134
254	0.0465	0.0396246	1.38686	1.4264846	5.70595	35.6622	71.3244	142.649
255	0.0463	0.0394905	1.38217	1.4216605	5.68664	35.5415	71.083	142.166
256	0.0462	0.0393572	1.3775	1.4168572	5.66743	35.4215	70.8429	141.686
257	0.046	0.0392246	1.37286	1.4120846	5.64834	35.3021	70.6042	141.208
258	0.0459	0.0390927	1.36824	1.4073327	5.62935	35.1834	70.3669	140.734
259	0.0458	0.0389616	1.36365	1.4026116	5.61046	35.0654	70.1308	140.262
260	0.0457	0.0388311	1.35909	1.3979211	5.59168	34.948	69.896	139.792
261	0.0455	0.0387014	1.35455	1.3932514	5.573	34.8313	69.6625	139.325
262	0.0454	0.0385724	1.35003	1.3886024	5.55443	34.7152	69.4303	138.861
263	0.0453	0.0384441	1.34554	1.3839841	5.53595	34.5997	69.1994	138.399
264	0.0451	0.0383165	1.34108	1.3793965	5.51758	34.4848	68.9697	137.939
265	0.045	0.0381896	1.33664	1.3748296	5.4993	34.3706	68.7412	137.482
266	0.0449	0.0380633	1.33222	1.3702833	5.48112	34.257	68.514	137.028
267	0.0448	0.0379378	1.32782	1.3657578	5.46304	34.144	68.288	136.576
268	0.0446	0.0378129	1.32345	1.3612629	5.44505	34.0316	68.0632	136.126
269	0.0445	0.0376886	1.3191	1.3567886	5.42716	33.9198	67.8395	135.679
270	0.0444	0.037565	1.31478	1.352345	5.40937	33.8085	67.6171	135.234
271	0.0443	0.0374421	1.31047	1.3479121	5.39166	33.6979	67.3958	134.792
272	0.0441	0.0373198	1.30619	1.3435098	5.37406	33.5878	67.1757	134.351
273	0.044	0.0371982	1.30194	1.3391382	5.35654	33.4784	66.9567	133.913
274	0.0439	0.0370772	1.2977	1.3347772	5.33911	33.3694	66.7389	133.478
275	0.0438	0.0369568	1.29349	1.3304468	5.32177	33.2611	66.5222	133.044
276	0.0437	0.036837	1.28929	1.326127	5.30453	33.1533	66.3066	132.613
277	0.0435	0.0367178	1.28512	1.3218378	5.28737	33.046	66.0921	132.184
278	0.0434	0.0365993	1.28097	1.3175693	5.2703	32.9394	65.8787	131.757
279	0.0433	0.0364813	1.27685	1.3133313	5.25331	32.8332	65.6664	131.333
280	0.0432	0.036364	1.27274	1.309104	5.23641	32.7276	65.4552	130.91
281	0.0431	0.0362472	1.26865	1.3048972	5.2196	32.6225	65.245	130.49
282	0.043	0.0361311	1.26459	1.3007211	5.20287	32.518	65.0359	130.072
283	0.0428	0.0360155	1.26054	1.2965555	5.18623	32.4139	64.8279	129.656
284	0.0427	0.0359005	1.25652	1.2924205	5.16967	32.3104	64.6209	129.242
285	0.0426	0.035786	1.25251	1.288296	5.15319	32.2074	64.4149	128.83
286	0.0425	0.0356722	1.24853	1.2842022	5.13679	32.105	64.2099	128.42
287	0.0424	0.0355589	1.24456	1.2801189	5.12048	32.003	64.006	128.012
288	0.0423	0.0354461	1.24061	1.2760561	5.10424	31.9015	63.803	127.606
289	0.0422	0.0353339	1.23669	1.2720239	5.08808	31.8005	63.6011	127.202
290	0.042	0.0352223	1.23278	1.2680023	5.07201	31.7	63.4001	126.8
291	0.0419	0.0351112	1.22889	1.2640012	5.05601	31.6	63.2001	126.4
292	0.0418	0.0350006	1.22502	1.2600206	5.04009	31.5005	63.0011	126.002
293	0.0417	0.0348906	1.22117	1.2560606	5.02424	31.4015	62.803	125.606
294	0.0416	0.0347811	1.21734	1.2521211	5.00847	31.303	62.6059	125.212
295	0.0415	0.0346721	1.21352	1.2481921	4.99278	31.2049	62.4097	124.819
296	0.0414	0.0345636	1.20973	1.2442936	4.97716	31.1073	62.2145	124.429
297	0.0413	0.0344557	1.20595	1.2404057	4.96162	31.0101	62.0202	124.04
298	0.0412	0.0343483	1.20219	1.2365383	4.94615	30.9134	61.8269	123.654
299	0.0411	0.0342413	1.19845	1.2326913	4.93075	30.8172	61.6344	123.269
300	0.041	0.0341349	1.19472	1.2288549	4.91543	30.7214	61.4428	122.886
301	0.0409	0.034029	1.19101	1.225039	4.90017	30.6261	61.2522	122.504
302	0.0408	0.0339236	1.18732	1.2212436	4.88499	30.5312	61.0624	122.125

303	0.0407	0.0338186	1.18365	1.2174686	4.86988	30.4368	60.8735	121.747
304	0.0406	0.0337142	1.18	1.2137142	4.85484	30.3428	60.6855	121.371
305	0.0405	0.0336102	1.17636	1.2099702	4.83987	30.2492	60.4984	120.997
306	0.0404	0.0335067	1.17274	1.2062467	4.82497	30.1561	60.3121	120.624
307	0.0403	0.0334037	1.16913	1.2025337	4.81013	30.0633	60.1267	120.253
308	0.0402	0.0333012	1.16554	1.1988412	4.79537	29.9711	59.9421	119.884
309	0.04	0.0331991	1.16197	1.1951691	4.78067	29.8792	59.7584	119.517
310	0.04	0.0330975	1.15841	1.1915075	4.76604	29.7877	59.5755	119.151
311	0.0398	0.0329963	1.15487	1.1878663	4.75147	29.6967	59.3934	118.787
312	0.0398	0.0328956	1.15135	1.1842456	4.73697	29.6061	59.2122	118.424
313	0.0397	0.0327954	1.14784	1.1806354	4.72254	29.5159	59.0317	118.063
314	0.0396	0.0326956	1.14435	1.1770456	4.70817	29.4261	58.8521	117.704
315	0.0395	0.0325963	1.14087	1.1734663	4.69386	29.3366	58.6733	117.347
316	0.0394	0.0324974	1.13741	1.1699074	4.67962	29.2476	58.4953	116.991
317	0.0393	0.0323989	1.13396	1.1663589	4.66544	29.159	58.318	116.636
318	0.0392	0.0323009	1.13053	1.1628309	4.65133	29.0708	58.1416	116.283
319	0.0391	0.0322033	1.12711	1.1593133	4.63727	28.983	57.9659	115.932
320	0.039	0.0321061	1.12371	1.1558161	4.62328	28.8955	57.791	115.582
321	0.0389	0.0320094	1.12033	1.1523394	4.60935	28.8084	57.6169	115.234
322	0.0388	0.031913	1.11696	1.148873	4.59548	28.7217	57.4435	114.887
323	0.0387	0.0318171	1.1136	1.1454171	4.58167	28.6354	57.2709	114.542
324	0.0386	0.0317217	1.11026	1.1419817	4.56792	28.5495	57.099	114.198
325	0.0385	0.0316266	1.10693	1.1385566	4.55423	28.4639	56.9279	113.856
326	0.0384	0.0315319	1.10362	1.1351519	4.5406	28.3787	56.7575	113.515
327	0.0383	0.0314377	1.10032	1.1317577	4.52702	28.2939	56.5878	113.176
328	0.0382	0.0313438	1.09703	1.1283738	4.51351	28.2094	56.4189	112.838
329	0.0381	0.0312504	1.09376	1.1250104	4.50005	28.1253	56.2506	112.501
330	0.038	0.0311573	1.09051	1.1216673	4.48665	28.0416	56.0831	112.166
331	0.038	0.0310646	1.08726	1.1183246	4.47331	27.9582	55.9163	111.833
332	0.0379	0.0309724	1.08403	1.1150024	4.46002	27.8751	55.7503	111.501
333	0.0378	0.0308805	1.08082	1.1117005	4.44679	27.7924	55.5849	111.17
334	0.0377	0.0307889	1.07761	1.108399	4.43361	27.7101	55.4202	110.84
335	0.0376	0.0306979	1.07443	1.1051279	4.42049	27.6281	55.2562	110.512
336	0.0375	0.0306071	1.07125	1.1018571	4.40743	27.5464	55.0928	110.186
337	0.0374	0.0305168	1.06809	1.0986068	4.39442	27.4651	54.9302	109.86
338	0.0373	0.0304268	1.06494	1.0953668	4.38146	27.3841	54.7682	109.536
339	0.0372	0.0303372	1.0618	1.0921372	4.36855	27.3035	54.6069	109.214
340	0.0372	0.0302479	1.05868	1.0889279	4.3557	27.2231	54.4463	108.893
341	0.0371	0.0301591	1.05557	1.0857291	4.34291	27.1432	54.2863	108.573
342	0.037	0.0300706	1.05247	1.0825406	4.33016	27.0635	54.127	108.254
343	0.0369	0.0299824	1.04938	1.0793624	4.31747	26.9842	53.9683	107.937
344	0.0368	0.0298946	1.04631	1.0762046	4.30482	26.9052	53.8103	107.621
345	0.0367	0.0298072	1.04325	1.0730572	4.29223	26.8265	53.6529	107.306
346	0.0366	0.0297201	1.0402	1.0699201	4.27969	26.7481	53.4962	106.992
347	0.0366	0.0296334	1.03717	1.0668034	4.26721	26.67	53.3401	106.68
348	0.0365	0.029547	1.03414	1.063687	4.25477	26.5923	53.1846	106.369
349	0.0364	0.029461	1.03113	1.060591	4.24238	26.5149	53.0297	106.059
350	0.0363	0.0293753	1.02813	1.0575053	4.23004	26.4377	52.8755	105.751
351	0.0362	0.0292899	1.02515	1.0544399	4.21775	26.3609	52.7218	105.444
352	0.0361	0.0292049	1.02217	1.0513749	4.20551	26.2844	52.5688	105.138
353	0.0361	0.0291202	1.01921	1.0483302	4.19331	26.2082	52.4164	104.833
354	0.036	0.0290359	1.01626	1.0452959	4.18117	26.1323	52.2646	104.529
355	0.0359	0.0289519	1.01332	1.0422719	4.16907	26.0567	52.1134	104.227
356	0.0358	0.0288682	1.01039	1.0392582	4.15702	25.9814	51.9628	103.926
357	0.0357	0.0287849	1.00747	1.0362549	4.14502	25.9064	51.8127	103.625
358	0.0357	0.0287018	1.00456	1.0332618	4.13306	25.8316	51.6633	103.327
359	0.0356	0.0286191	1.00167	1.0302891	4.12115	25.7572	51.5144	103.029
360	0.0355	0.0285367	0.998786	1.0273227	4.10929	25.6831	51.3661	102.732
361	0.0354	0.0284547	0.995914	1.0243687	4.09748	25.6092	51.2184	102.437
362	0.0353	0.0283729	0.993053	1.0214259	4.0857	25.5357	51.0713	102.143
363	0.0353	0.0282915	0.990203	1.0184945	4.07398	25.4624	50.9247	101.849
364	0.0352	0.0282104	0.987364	1.0155744	4.0623	25.3894	50.7787	101.557
365	0.0351	0.0281296	0.984536	1.0126656	4.05066	25.3166	50.6333	101.267
366	0.035	0.0280491	0.981718	1.0097671	4.03907	25.2442	50.4884	100.977
367	0.035	0.0279689	0.978912	1.0068809	4.02752	25.172	50.344	100.688
368	0.0349	0.0278889	0.976116	1.004005	4.01602	25.1001	50.2002	100.4
369	0.0348	0.0278094	0.97333	1.0011394	4.00456	25.0285	50.057	100.114
370	0.0347	0.0277302	0.970555	0.9982852	3.99314	24.9571	49.9143	99.8286
371	0.0346	0.0276512	0.967791	0.9954422	3.98177	24.8861	49.7721	99.5442
372	0.0346	0.0275725	0.965037	0.9926095	3.97044	24.8152	49.6305	99.2609
373	0.0345	0.0274941	0.962293	0.9897871	3.95915	24.7447	49.4894	98.9787
374	0.0344	0.027416	0.95956	0.986976	3.9479	24.6744	49.3488	98.6976
375	0.0343	0.0273382	0.956836	0.9841742	3.9367	24.6044	49.2087	98.4175

376	0.0343	0.0272607	0.954123	0.9813837	3.92554	24.5346	49.0692	98.1384
377	0.0342	0.0271834	0.95142	0.9786034	3.91441	24.4651	48.9302	97.8603
378	0.0341	0.0271065	0.948727	0.9758335	3.90333	24.3958	48.7917	97.5833
379	0.034	0.0270298	0.946044	0.9730738	3.89229	24.3268	48.6537	97.3073
380	0.034	0.0269534	0.94337	0.9703234	3.88129	24.2581	48.5162	97.0324
381	0.0339	0.0268773	0.940707	0.9675843	3.87034	24.1896	48.3792	96.7584
382	0.0338	0.0268015	0.938053	0.9648545	3.85942	24.1214	48.2427	96.4854
383	0.0338	0.026726	0.935409	0.962135	3.84854	24.0534	48.1067	96.2135
384	0.0337	0.0266507	0.932774	0.9594247	3.8377	23.9856	47.9713	95.9425
385	0.0336	0.0265757	0.930149	0.9567247	3.8269	23.9181	47.8363	95.6725
386	0.0335	0.026501	0.927534	0.954035	3.81614	23.8509	47.7017	95.4035
387	0.0335	0.0264265	0.924928	0.9513545	3.80542	23.7839	47.5677	95.1354
388	0.0334	0.0263523	0.922331	0.9486833	3.79473	23.7171	47.4342	94.8684
389	0.0333	0.0262784	0.919744	0.9460224	3.78409	23.6506	47.3011	94.6022
390	0.0333	0.0262047	0.917166	0.9433707	3.77348	23.5843	47.1685	94.3371
391	0.0332	0.0261314	0.914597	0.9407284	3.76291	23.5182	47.0364	94.0729
392	0.0331	0.0260582	0.912038	0.9380962	3.75238	23.4524	46.9048	93.8096
393	0.033	0.0259853	0.909487	0.9354723	3.74189	23.3868	46.7736	93.5473
394	0.033	0.0259127	0.906946	0.9328587	3.73143	23.3215	46.6429	93.2858
395	0.0329	0.0258404	0.904413	0.9302534	3.72101	23.2563	46.5127	93.0254
396	0.0328	0.0257683	0.90189	0.9276583	3.71063	23.1915	46.3829	92.7658
397	0.0328	0.0256964	0.899375	0.9250714	3.70029	23.1268	46.2536	92.5072
398	0.0327	0.0256248	0.896869	0.9224938	3.68998	23.0624	46.1247	92.2494
399	0.0326	0.0255535	0.894372	0.9199255	3.6797	22.9981	45.9963	91.9926
400	0.0326	0.0254824	0.891884	0.9173664	3.66947	22.9342	45.8683	91.7366
401	0.0325	0.0254116	0.889404	0.9148156	3.65926	22.8704	45.7408	91.4816
402	0.0324	0.025341	0.886934	0.912275	3.6491	22.8069	45.6137	91.2274
403	0.0324	0.0252706	0.884471	0.9097416	3.63897	22.7435	45.4871	90.9742
404	0.0323	0.0252005	0.882017	0.9072175	3.62887	22.6804	45.3609	90.7218
405	0.0322	0.0251306	0.879572	0.9047026	3.61881	22.6176	45.2351	90.4703
406	0.0322	0.025061	0.877135	0.902196	3.60878	22.5549	45.1098	90.2196
407	0.0321	0.0249916	0.874706	0.8996976	3.59879	22.4925	44.9849	89.9698
408	0.032	0.0249225	0.872286	0.8972085	3.58883	22.4302	44.8604	89.7209
409	0.032	0.0248536	0.869874	0.8947276	3.57891	22.3682	44.7364	89.4728
410	0.0319	0.0247849	0.867471	0.8922559	3.56902	22.3064	44.6128	89.2256
411	0.0318	0.0247164	0.865075	0.8897914	3.55917	22.2448	44.4896	88.9792
412	0.0318	0.0246482	0.862688	0.8873362	3.54934	22.1834	44.3668	88.7336
413	0.0317	0.0245802	0.860309	0.8848892	3.53956	22.1222	44.2444	88.4889
414	0.0316	0.0245125	0.857937	0.8824495	3.5298	22.0612	44.1225	88.245
415	0.0316	0.0244445	0.855574	0.880019	3.52008	22.0005	44.001	88.0019
416	0.0315	0.0243777	0.853219	0.8775967	3.51039	21.9399	43.8798	87.7597
417	0.0314	0.0243106	0.850872	0.8751826	3.50073	21.8796	43.7591	87.5182
418	0.0314	0.0242438	0.848532	0.8727758	3.4911	21.8194	43.6388	87.2776
419	0.0313	0.0241772	0.846201	0.8703782	3.48151	21.7594	43.5189	87.0378
420	0.0312	0.0241108	0.843877	0.8679878	3.47195	21.6997	43.3994	86.7988
421	0.0312	0.0240446	0.841561	0.8656056	3.46242	21.6401	43.2803	86.5605
422	0.0311	0.0239786	0.839253	0.8632316	3.45292	21.5808	43.1616	86.3231
423	0.0311	0.0239129	0.836952	0.8608649	3.44346	21.5216	43.0432	86.0865
424	0.031	0.0238474	0.834659	0.8585064	3.43402	21.4627	42.9253	85.8506
425	0.0309	0.0237821	0.832373	0.8561551	3.42462	21.4039	42.8078	85.6155
426	0.0309	0.023717	0.830095	0.853812	3.41525	21.3453	42.6906	85.3812
427	0.0308	0.0236521	0.827825	0.8514771	3.40591	21.2869	42.5739	85.1477
428	0.0307	0.0235875	0.825562	0.8491495	3.3966	21.2287	42.4575	84.9149
429	0.0307	0.023523	0.823306	0.846829	3.38732	21.1707	42.3415	84.6829
430	0.0306	0.0234588	0.821058	0.8445168	3.37807	21.1129	42.2258	84.4517
431	0.0306	0.0233948	0.818817	0.8422118	3.36885	21.0553	42.1106	84.2212
432	0.0305	0.023331	0.816584	0.839915	3.35966	20.9979	41.9957	83.9915
433	0.0304	0.0232674	0.814357	0.8376244	3.3505	20.9406	41.8812	83.7625
434	0.0304	0.023204	0.812138	0.835342	3.34137	20.8836	41.7671	83.5342
435	0.0303	0.0231408	0.809926	0.8330668	3.33227	20.8267	41.6534	83.3067
436	0.0303	0.0230778	0.807722	0.8307998	3.3232	20.77	41.54	83.0799
437	0.0302	0.023015	0.805524	0.828539	3.31416	20.7135	41.427	82.8539
438	0.0301	0.0229524	0.803333	0.8262854	3.30514	20.6571	41.3143	82.6286
439	0.0301	0.02289	0.80115	0.82404	3.29616	20.601	41.202	82.404
440	0.03	0.0228278	0.798973	0.8218008	3.2872	20.545	41.0901	82.1801
441	0.03	0.0227658	0.796804	0.8195698	3.27828	20.4892	40.9785	81.957
442	0.0299	0.022704	0.794641	0.817345	3.26938	20.4336	40.8673	81.7345
443	0.0298	0.0226424	0.792485	0.8151274	3.26051	20.3782	40.7564	81.5128
444	0.0298	0.022581	0.790336	0.812917	3.25167	20.3229	40.6459	81.2917
445	0.0297	0.0225198	0.788194	0.8107138	3.24286	20.2679	40.5357	81.0714
446	0.0297	0.0224588	0.786059	0.8085178	3.23407	20.2129	40.4259	80.8518
447	0.0296	0.022398	0.78393	0.806328	3.22531	20.1582	40.3164	80.6328
448	0.0296	0.0223374	0.781809	0.8041464	3.21658	20.1037	40.2073	80.4146

449	0.0295	0.022277	0.779693	0.80197	3.20788	20.0493	40.0985	80.197
450	0.0294	0.0222167	0.777585	0.7998017	3.19921	19.995	39.9901	79.9802
451	0.0294	0.0221567	0.775483	0.7976397	3.19056	19.941	39.882	79.764
452	0.0293	0.0220968	0.773388	0.7954848	3.18194	19.8871	39.7742	79.5484
453	0.0293	0.0220371	0.771299	0.7933361	3.17334	19.8334	39.6668	79.3336
454	0.0292	0.0219776	0.769217	0.7911946	3.16478	19.7799	39.5597	79.1194
455	0.0292	0.0219183	0.767141	0.7890593	3.15624	19.7265	39.453	78.9059
456	0.0291	0.0218592	0.765072	0.7869312	3.14772	19.6733	39.3465	78.6931
457	0.029	0.0218002	0.763009	0.7848092	3.13924	19.6202	39.2404	78.4809
458	0.029	0.0217415	0.760952	0.7826935	3.13077	19.5673	39.1347	78.2694
459	0.0289	0.0216829	0.758902	0.7805849	3.12234	19.5146	39.0292	78.0585
460	0.0289	0.0216245	0.756858	0.7784825	3.11393	19.4621	38.9241	77.8483
461	0.0288	0.0215663	0.754821	0.7763873	3.10555	19.4097	38.8193	77.6387
462	0.0288	0.0215083	0.752789	0.7742973	3.09719	19.3574	38.7149	77.4298
463	0.0287	0.0214504	0.750764	0.7722144	3.08886	19.3054	38.6107	77.2215
464	0.0287	0.0213927	0.748745	0.7701377	3.08055	19.2535	38.5069	77.0138
465	0.0286	0.0213352	0.746733	0.7680682	3.07227	19.2017	38.4034	76.8068
466	0.0285	0.0212779	0.744726	0.7660039	3.06402	19.1501	38.3002	76.6004
467	0.0285	0.0212207	0.742726	0.7639467	3.05579	19.0987	38.1973	76.3947
468	0.0284	0.0211638	0.740732	0.7618958	3.04758	19.0474	38.0948	76.1895
469	0.0284	0.021107	0.738743	0.75985	3.0394	18.9963	37.9925	75.985
470	0.0283	0.0210503	0.736761	0.7578113	3.03125	18.9453	37.8906	75.7811
471	0.0283	0.0209939	0.734785	0.7557789	3.02311	18.8945	37.7889	75.5779
472	0.0282	0.0209376	0.732815	0.7537526	3.01501	18.8438	37.6876	75.3752
473	0.0282	0.0208814	0.73085	0.7517314	3.00693	18.7933	37.5866	75.1732
474	0.0281	0.0208255	0.728892	0.7497175	2.99887	18.7429	37.4859	74.9717
475	0.0281	0.0207697	0.726939	0.7477087	2.99084	18.6927	37.3855	74.7709
476	0.028	0.0207141	0.724993	0.7457071	2.98283	18.6427	37.2853	74.5707
477	0.028	0.0206586	0.723052	0.7437106	2.97484	18.5928	37.1855	74.3711
478	0.0279	0.0206033	0.721117	0.7417203	2.96688	18.543	37.086	74.172
479	0.0278	0.0205482	0.719188	0.7397362	2.95894	18.4934	36.9868	73.9736
480	0.0278	0.0204933	0.717264	0.7377573	2.95103	18.4439	36.8879	73.7758
481	0.0277	0.0204385	0.715347	0.7357855	2.94314	18.3946	36.7893	73.5785
482	0.0277	0.0203838	0.713435	0.7338188	2.93527	18.3455	36.6909	73.3818
483	0.0276	0.0203294	0.711528	0.7318574	2.92743	18.2964	36.5929	73.1858
484	0.0276	0.0202751	0.709627	0.7299021	2.91961	18.2476	36.4951	72.9903
485	0.0275	0.0202209	0.707732	0.7279529	2.91181	18.1988	36.3977	72.7953
486	0.0275	0.0201669	0.705843	0.7260099	2.90404	18.1502	36.3005	72.601
487	0.0274	0.0201131	0.703959	0.7240721	2.89629	18.1018	36.2036	72.4072
488	0.0274	0.0200594	0.702081	0.7221404	2.88856	18.0535	36.107	72.214
489	0.0273	0.0200059	0.700208	0.7202139	2.88085	18.0053	36.0107	72.0214
490	0.0273	0.0199526	0.69834	0.7182926	2.87317	17.9573	35.9147	71.8293
491	0.0272	0.0198994	0.696479	0.7163784	2.86551	17.9094	35.8189	71.6378
492	0.0272	0.0198463	0.694622	0.7144683	2.85787	17.8617	35.7234	71.4469
493	0.0271	0.0197935	0.692771	0.7125645	2.85026	17.8141	35.6282	71.2565
494	0.0271	0.0197407	0.690926	0.7106667	2.84267	17.7667	35.5333	71.0666
495	0.027	0.0196882	0.689085	0.7087732	2.83509	17.7193	35.4387	70.8774
496	0.027	0.0196357	0.687251	0.7068867	2.82755	17.6722	35.3443	70.6886
497	0.0269	0.0195835	0.685421	0.7050045	2.82002	17.6251	35.2502	70.5004
498	0.0269	0.0195313	0.683597	0.7031283	2.81251	17.5782	35.1564	70.3128
499	0.0268	0.0194794	0.681778	0.7012574	2.80503	17.5314	35.0629	70.1257
500	0.0268	0.0194276	0.679964	0.6993916	2.79757	17.4848	34.9696	69.9392
501	0.0267	0.0193759	0.678156	0.6975319	2.79013	17.4383	34.8766	69.7532
502	0.0267	0.0193244	0.676353	0.6956774	2.78271	17.3919	34.7839	69.5677
503	0.0266	0.019273	0.674555	0.693828	2.77531	17.3457	34.6914	69.3828
504	0.0266	0.0192218	0.672762	0.6919838	2.76793	17.2996	34.5992	69.1984
505	0.0265	0.0191707	0.670974	0.6901447	2.76058	17.2536	34.5072	69.0145
506	0.0265	0.0191198	0.669192	0.6883118	2.75325	17.2078	34.4156	68.8311
507	0.0264	0.019069	0.667414	0.686483	2.74593	17.1621	34.3242	68.6483
508	0.0264	0.0190183	0.665642	0.6846603	2.73864	17.1165	34.233	68.466
509	0.0263	0.0189678	0.663875	0.6828428	2.73137	17.0711	34.1421	68.2842
510	0.0263	0.0189175	0.662112	0.6810295	2.72412	17.0257	34.0515	68.103
511	0.0262	0.0188673	0.660355	0.6792223	2.71689	16.9806	33.9611	67.9222
512	0.0262	0.0188172	0.658603	0.6774202	2.70968	16.9355	33.871	67.742
513	0.0262	0.0187673	0.656856	0.6756233	2.70249	16.8906	33.7811	67.5623
514	0.0261	0.0187175	0.655113	0.6738305	2.69532	16.8458	33.6915	67.3831
515	0.0261	0.0186679	0.653376	0.6720439	2.68818	16.8011	33.6022	67.2044
516	0.026	0.0186184	0.651644	0.6702624	2.68105	16.7565	33.5131	67.0262
517	0.026	0.018569	0.649916	0.668485	2.67394	16.7121	33.4243	66.8485
518	0.0259	0.0185198	0.648193	0.6667128	2.66685	16.6678	33.3357	66.6713
519	0.0259	0.0184707	0.646476	0.6649467	2.65979	16.6237	33.2473	66.4946
520	0.0258	0.0184218	0.644763	0.6631848	2.65274	16.5796	33.1592	66.3185
521	0.0258	0.018373	0.643055	0.661428	2.64571	16.5357	33.0714	66.1428

522	0.0257	0.0183243	0.641351	0.6596753	2.6387	16.4919	32.9838	65.9676
523	0.0257	0.0182758	0.639653	0.6579288	2.63171	16.4482	32.8964	65.7929
524	0.0256	0.0182274	0.637959	0.6561864	2.62475	16.4047	32.8093	65.6186
525	0.0256	0.0181791	0.63627	0.6544491	2.6178	16.3612	32.7225	65.4449
526	0.0255	0.018131	0.634586	0.652717	2.61087	16.3179	32.6358	65.2717
527	0.0255	0.018083	0.632906	0.650989	2.60396	16.2747	32.5495	65.0989
528	0.0255	0.0180352	0.631231	0.6492662	2.59707	16.2317	32.4633	64.9266
529	0.0254	0.0179875	0.629561	0.6475485	2.59019	16.1887	32.3774	64.7548
530	0.0254	0.0179399	0.627895	0.6458349	2.58334	16.1459	32.2918	64.5835
531	0.0253	0.0178924	0.626234	0.6441264	2.57651	16.1032	32.2063	64.4127
532	0.0253	0.0178451	0.624578	0.6424231	2.56969	16.0606	32.1212	64.2423
533	0.0252	0.0177979	0.622926	0.6407239	2.5629	16.0181	32.0362	64.0724
534	0.0252	0.0177508	0.621279	0.6390298	2.55612	15.9757	31.9515	63.903
535	0.0251	0.0177039	0.619636	0.6373399	2.54936	15.9335	31.867	63.734
536	0.0251	0.0176571	0.617998	0.6356551	2.54262	15.8914	31.7828	63.5655
537	0.025	0.0176104	0.616365	0.6339754	2.5359	15.8494	31.6988	63.3975
538	0.025	0.0175639	0.614736	0.6322999	2.5292	15.8075	31.615	63.23
539	0.025	0.0175175	0.613111	0.6306285	2.52251	15.7657	31.5314	63.0629
540	0.0249	0.0174712	0.611491	0.6289622	2.51585	15.7241	31.4481	62.8962
541	0.0249	0.017425	0.609875	0.6273	2.5092	15.6825	31.365	62.73
542	0.0248	0.017379	0.608264	0.625643	2.50257	15.6411	31.2822	62.5643
543	0.0248	0.0173331	0.606657	0.6239901	2.49596	15.5998	31.1995	62.399
544	0.0247	0.0172873	0.605055	0.6223423	2.48937	15.5586	31.1171	62.2342
545	0.0247	0.0172416	0.603457	0.6206986	2.48279	15.5175	31.0349	62.0699
546	0.0247	0.0171961	0.601863	0.6190591	2.47624	15.4765	30.953	61.9059
547	0.0246	0.0171507	0.600274	0.6174247	2.4697	15.4356	30.8712	61.7425
548	0.0246	0.0171054	0.598689	0.6157944	2.46318	15.3949	30.7897	61.5795
549	0.0245	0.0170602	0.597108	0.6141682	2.45667	15.3542	30.7084	61.4169
550	0.0245	0.0170152	0.595532	0.6125472	2.45019	15.3137	30.6274	61.2547
551	0.0244	0.0169703	0.59396	0.6109303	2.44372	15.2733	30.5465	61.093
552	0.0244	0.0169255	0.592392	0.6093175	2.43727	15.2329	30.4659	60.9318
553	0.0243	0.0168808	0.590829	0.6077098	2.43084	15.1927	30.3855	60.771
554	0.0243	0.0168363	0.58927	0.6061063	2.42442	15.1526	30.3053	60.6106
555	0.0243	0.0167918	0.587715	0.6045068	2.41803	15.1127	30.2253	60.4506
556	0.0242	0.0167475	0.586164	0.6029115	2.41165	15.0728	30.1456	60.2911
557	0.0242	0.0167033	0.584617	0.6013203	2.40528	15.033	30.066	60.1321
558	0.0241	0.0166593	0.583075	0.5997343	2.39894	14.9934	29.9867	59.9734
559	0.0241	0.0166153	0.581536	0.5981513	2.39261	14.9538	29.9076	59.8152
560	0.0241	0.0165715	0.580002	0.5965735	2.3863	14.9143	29.8287	59.6574
561	0.024	0.0165278	0.578472	0.5949998	2.38	14.875	29.75	59.5
562	0.024	0.0164842	0.576946	0.5934302	2.37372	14.8358	29.6715	59.3431
563	0.0239	0.0164407	0.575425	0.5918657	2.36746	14.7966	29.5933	59.1865
564	0.0239	0.0163973	0.573907	0.5903043	2.36122	14.7576	29.5152	59.0304
565	0.0238	0.0163541	0.572393	0.5887471	2.35499	14.7187	29.4374	58.8748
566	0.0238	0.016311	0.570884	0.587195	2.34878	14.6799	29.3597	58.7195
567	0.0238	0.016268	0.569378	0.585646	2.34259	14.6412	29.2823	58.5646
568	0.0237	0.0162251	0.567877	0.5841021	2.33641	14.6025	29.2051	58.4102
569	0.0237	0.0161823	0.566379	0.5825613	2.33025	14.564	29.1281	58.2562
570	0.0236	0.0161396	0.564886	0.5810256	2.3241	14.5256	29.0513	58.1026
571	0.0236	0.016097	0.563397	0.579494	2.31797	14.4873	28.9747	57.9494
572	0.0236	0.0160546	0.561911	0.5779656	2.31186	14.4491	28.8983	57.7966
573	0.0235	0.0160123	0.56043	0.5764423	2.30577	14.411	28.8221	57.6442
574	0.0235	0.0159701	0.558952	0.5749221	2.29969	14.373	28.7461	57.4922
575	0.0234	0.015928	0.557478	0.573406	2.29362	14.3352	28.6703	57.3406
576	0.0234	0.015886	0.556009	0.571895	2.28758	14.2974	28.5947	57.1895
577	0.0234	0.0158441	0.554543	0.5703871	2.28155	14.2597	28.5193	57.0387
578	0.0233	0.0158023	0.553081	0.5688833	2.27553	14.2221	28.4442	56.8883
579	0.0233	0.0157607	0.551623	0.5673837	2.26953	14.1846	28.3692	56.7383
580	0.0232	0.0157191	0.550169	0.5658881	2.26355	14.1472	28.2944	56.5888
581	0.0232	0.0156777	0.548718	0.5643957	2.25758	14.1099	28.2198	56.4396
582	0.0232	0.0156363	0.547272	0.5629083	2.25163	14.0727	28.1454	56.2908
583	0.0231	0.0155951	0.545829	0.5614241	2.2457	14.0356	28.0712	56.1424
584	0.0231	0.015554	0.54439	0.559944	2.23978	13.9986	27.9972	55.9944
585	0.023	0.015513	0.542955	0.558468	2.23387	13.9617	27.9234	55.8468
586	0.023	0.0154721	0.541524	0.5569961	2.22798	13.9249	27.8498	55.6996
587	0.023	0.0154313	0.540096	0.5555273	2.22211	13.8882	27.7764	55.5528
588	0.0229	0.0153906	0.538673	0.5540636	2.21625	13.8516	27.7032	55.4063
589	0.0229	0.0153501	0.537253	0.5526031	2.21041	13.8151	27.6301	55.2603
590	0.0228	0.0153096	0.535836	0.5511456	2.20458	13.7787	27.5573	55.1146
591	0.0228	0.0152693	0.534424	0.5496933	2.19877	13.7423	27.4847	54.9693
592	0.0228	0.015229	0.533015	0.548244	2.19298	13.7061	27.4122	54.8244
593	0.0227	0.0151889	0.53161	0.5467989	2.1872	13.67	27.3399	54.6799
594	0.0227	0.0151488	0.530209	0.5453578	2.18143	13.6339	27.2679	54.5357

595	0.0226	0.0151089	0.528811	0.5439199	2.17568	13.598	27.196	54.392
596	0.0226	0.0150691	0.527417	0.5424861	2.16994	13.5621	27.1243	54.2486
597	0.0226	0.0150293	0.526026	0.5410553	2.16422	13.5264	27.0528	54.1056
598	0.0225	0.0149897	0.52464	0.5396297	2.15852	13.4907	26.9815	53.9629
599	0.0225	0.0149502	0.523256	0.5382062	2.15283	13.4552	26.9103	53.8207
600	0.0225	0.0149108	0.521877	0.5367878	2.14715	13.4197	26.8394	53.6788
601	0.0224	0.0148715	0.520501	0.5353725	2.14149	13.3843	26.7686	53.5372
602	0.0224	0.0148322	0.519129	0.5339612	2.13584	13.349	26.698	53.3961
603	0.0223	0.0147931	0.51776	0.5325531	2.13021	13.3138	26.6276	53.2553
604	0.0223	0.0147541	0.516395	0.5311491	2.12459	13.2787	26.5574	53.1149
605	0.0223	0.0147152	0.515033	0.5297482	2.11899	13.2437	26.4874	52.9748
606	0.0222	0.0146764	0.513675	0.5283514	2.1134	13.2088	26.4176	52.8351
607	0.0222	0.0146377	0.51232	0.5269577	2.10783	13.1739	26.3479	52.6958
608	0.0222	0.0145991	0.510969	0.5255681	2.10227	13.1392	26.2784	52.5568
609	0.0221	0.0145606	0.509622	0.5241826	2.09673	13.1046	26.2091	52.4182
610	0.0221	0.0145222	0.508278	0.5228002	2.0912	13.07	26.14	52.28
611	0.022	0.0144839	0.506937	0.5214209	2.08568	13.0355	26.071	52.1421
612	0.022	0.0144457	0.5056	0.5200457	2.08018	13.0011	26.0023	52.0046
613	0.022	0.0144076	0.504266	0.5186736	2.0747	12.9668	25.9337	51.8674
614	0.0219	0.0143696	0.502936	0.5173056	2.06922	12.9326	25.8653	51.7306
615	0.0219	0.0143317	0.501609	0.5159407	2.06376	12.8985	25.7971	51.5941
616	0.0219	0.0142939	0.500286	0.5145799	2.05832	12.8645	25.729	51.458
617	0.0218	0.0142562	0.498966	0.5132222	2.05289	12.8306	25.6611	51.3222
618	0.0218	0.0142186	0.49765	0.5118686	2.04747	12.7967	25.5934	51.1868
619	0.0217	0.0141811	0.496337	0.5105181	2.04207	12.7629	25.5259	51.0518
620	0.0217	0.0141436	0.495027	0.5091706	2.03668	12.7293	25.4585	50.9171
621	0.0217	0.0141063	0.493721	0.5078273	2.03131	12.6957	25.3914	50.7827
622	0.0216	0.0140691	0.492418	0.5064871	2.02595	12.6622	25.3244	50.6487
623	0.0216	0.014032	0.491119	0.505151	2.0206	12.6288	25.2575	50.515
624	0.0216	0.0139949	0.489822	0.5038169	2.01527	12.5954	25.1909	50.3817
625	0.0215	0.013958	0.488529	0.502487	2.00995	12.5622	25.1244	50.2487
626	0.0215	0.0139211	0.48724	0.5011611	2.00464	12.529	25.0581	50.1161
627	0.0215	0.0138844	0.485954	0.4998384	1.99935	12.496	24.9919	49.9838
628	0.0214	0.0138477	0.484671	0.4985187	1.99407	12.463	24.9259	49.8519
629	0.0214	0.0138112	0.483391	0.4972022	1.98881	12.4301	24.8601	49.7202
630	0.0213	0.0137747	0.482115	0.4958897	1.98356	12.3972	24.7945	49.589
631	0.0213	0.0137383	0.480842	0.4945803	1.97832	12.3645	24.729	49.458
632	0.0213	0.0137021	0.479572	0.4932741	1.9731	12.3319	24.6637	49.3274
633	0.0212	0.0136659	0.478306	0.4919719	1.96789	12.2993	24.5986	49.1972
634	0.0212	0.0136298	0.477042	0.4906718	1.96269	12.2668	24.5336	49.0672
635	0.0212	0.0135938	0.475782	0.4893758	1.95751	12.2344	24.4688	48.9376
636	0.0211	0.0135579	0.474526	0.4880839	1.95233	12.2021	24.4042	48.8084
637	0.0211	0.0135221	0.473272	0.4867941	1.94718	12.1699	24.3397	48.6794
638	0.0211	0.0134863	0.472022	0.4855083	1.94203	12.1377	24.2754	48.5508
639	0.021	0.0134507	0.470775	0.4842257	1.9369	12.1056	24.2113	48.4225
640	0.021	0.0134152	0.469531	0.4829462	1.93178	12.0736	24.1473	48.2946
641	0.021	0.0133797	0.46829	0.4816697	1.92668	12.0417	24.0835	48.167
642	0.0209	0.0133444	0.467052	0.4803964	1.92159	12.0099	24.0198	48.0397
643	0.0209	0.0133091	0.465818	0.4791271	1.91651	11.9782	23.9563	47.9127
644	0.0209	0.0132739	0.464587	0.4778609	1.91144	11.9465	23.893	47.7861
645	0.0208	0.0132388	0.463359	0.4765978	1.90639	11.9149	23.8299	47.6597
646	0.0208	0.0132038	0.462134	0.4753378	1.90135	11.8834	23.7669	47.5337
647	0.0208	0.0131689	0.460912	0.4740809	1.89632	11.852	23.704	47.4081
648	0.0207	0.0131341	0.459693	0.4728271	1.89131	11.8207	23.6413	47.2827
649	0.0207	0.0130993	0.458477	0.4715763	1.88631	11.7894	23.5788	47.1577
650	0.0207	0.0130647	0.457265	0.4703297	1.88132	11.7582	23.5165	47.0329
651	0.0206	0.0130301	0.456055	0.4690851	1.87634	11.7271	23.4543	46.9085
652	0.0206	0.0129957	0.454849	0.4678447	1.87138	11.6961	23.3922	46.7845
653	0.0205	0.0129613	0.453646	0.4666073	1.86643	11.6652	23.3303	46.6607
654	0.0205	0.012927	0.452445	0.465372	1.86149	11.6343	23.2686	46.5372
655	0.0205	0.0128928	0.451248	0.4641408	1.85656	11.6035	23.207	46.4141
656	0.0204	0.0128587	0.450054	0.4629127	1.85165	11.5728	23.1456	46.2913
657	0.0204	0.0128247	0.448863	0.4616877	1.84675	11.5422	23.0844	46.1688
658	0.0204	0.0127907	0.447675	0.4604657	1.84186	11.5116	23.0233	46.0465
659	0.0203	0.0127568	0.44649	0.4592468	1.83699	11.4812	22.9623	45.9247
660	0.0203	0.0127231	0.445308	0.4580311	1.83212	11.4508	22.9015	45.8031
661	0.0203	0.0126894	0.444129	0.4568184	1.82727	11.4205	22.8409	45.6818
662	0.0202	0.0126558	0.442953	0.4556088	1.82243	11.3902	22.7804	45.5608
663	0.0202	0.0126223	0.44178	0.4544023	1.81761	11.36	22.7201	45.4402
664	0.0202	0.0125888	0.440609	0.4531978	1.81279	11.33	22.6599	45.3198
665	0.0201	0.0125555	0.439442	0.4519975	1.80799	11.2999	22.5999	45.1998
666	0.0201	0.0125222	0.438278	0.4508002	1.8032	11.27	22.54	45.08
667	0.0201	0.0124891	0.437117	0.4496061	1.79842	11.2402	22.4803	44.9606

668	0.02	0.012456	0.435959	0.448415	1.79366	11.2104	22.4207	44.8415
669	0.02	0.012423	0.434803	0.447226	1.78891	11.1807	22.3613	44.7226
670	0.02	0.01239	0.433651	0.446041	1.78416	11.151	22.3021	44.6041
671	0.0199	0.0123572	0.432502	0.4448592	1.77943	11.1215	22.2429	44.4859
672	0.0199	0.0123244	0.431355	0.4436794	1.77472	11.092	22.184	44.3679
673	0.0199	0.0122918	0.430211	0.4425028	1.77001	11.0626	22.1252	44.2503
674	0.0199	0.0122592	0.429071	0.4413302	1.76532	11.0332	22.0665	44.133
675	0.0198	0.0122266	0.427933	0.4401596	1.76064	11.004	22.008	44.0159
676	0.0198	0.0121942	0.426798	0.4389922	1.75597	10.9748	21.9496	43.8992
677	0.0198	0.0121619	0.425666	0.4378279	1.75131	10.9457	21.8914	43.7827
678	0.0197	0.0121296	0.424536	0.4366656	1.74666	10.9166	21.8333	43.6666
679	0.0197	0.0120974	0.42341	0.4355074	1.74203	10.8877	21.7754	43.5507
680	0.0197	0.0120653	0.422286	0.4343513	1.73741	10.8588	21.7176	43.4352
681	0.0196	0.0120333	0.421166	0.4331993	1.7328	10.83	21.6599	43.3199
682	0.0196	0.0120014	0.420048	0.4320494	1.7282	10.8012	21.6025	43.2049
683	0.0196	0.0119695	0.418933	0.4309025	1.72361	10.7726	21.5451	43.0902
684	0.0195	0.0119377	0.41782	0.4297577	1.71903	10.744	21.4879	42.9758
685	0.0195	0.011906	0.416711	0.428617	1.71447	10.7154	21.4308	42.8617
686	0.0195	0.0118744	0.415604	0.4274784	1.70991	10.687	21.3739	42.7479
687	0.0194	0.0118429	0.4145	0.4263429	1.70537	10.6586	21.3172	42.6343
688	0.0194	0.0118114	0.413399	0.4252104	1.70084	10.6303	21.2605	42.5211
689	0.0194	0.01178	0.412301	0.424081	1.69632	10.602	21.2041	42.4081
690	0.0193	0.0117487	0.411206	0.4229547	1.69182	10.5739	21.1477	42.2954
691	0.0193	0.0117175	0.410113	0.4218305	1.68732	10.5458	21.0915	42.183
692	0.0193	0.0116864	0.409023	0.4207094	1.68284	10.5177	21.0355	42.0709
693	0.0192	0.0116553	0.407936	0.4195913	1.67836	10.4898	20.9795	41.9591
694	0.0192	0.0116243	0.406851	0.4184753	1.6739	10.4619	20.9238	41.8475
695	0.0192	0.0115934	0.405769	0.4173624	1.66945	10.4341	20.8681	41.7363
696	0.0192	0.0115626	0.40469	0.4162526	1.66501	10.4063	20.8126	41.6253
697	0.0191	0.0115318	0.403614	0.4151458	1.66058	10.3786	20.7573	41.5146
698	0.0191	0.0115012	0.40254	0.4140412	1.65617	10.351	20.7021	41.4042
699	0.0191	0.0114706	0.40147	0.4129406	1.65176	10.3235	20.647	41.294
700	0.019	0.01144	0.400401	0.411841	1.64737	10.296	20.5921	41.1841
701	0.019	0.0114096	0.399336	0.4107456	1.64298	10.2686	20.5373	41.0745
702	0.019	0.0113792	0.398273	0.4096522	1.63861	10.2413	20.4826	40.9652
703	0.0189	0.0113489	0.397213	0.4085619	1.63425	10.214	20.4281	40.8562
704	0.0189	0.0113187	0.396155	0.4074737	1.6299	10.1869	20.3737	40.7474
705	0.0189	0.0112886	0.395101	0.4063896	1.62556	10.1597	20.3195	40.6389
706	0.0188	0.0112585	0.394048	0.4053065	1.62123	10.1327	20.2654	40.5307
707	0.0188	0.0112285	0.392999	0.4042275	1.61691	10.1057	20.2114	40.4228
708	0.0188	0.0111986	0.391952	0.4031506	1.6126	10.0788	20.1575	40.3151
709	0.0187	0.0111688	0.390908	0.4020768	1.60831	10.0519	20.1038	40.2077
710	0.0187	0.011139	0.389866	0.401005	1.60402	10.0251	20.0503	40.1005
711	0.0187	0.0111094	0.388827	0.3999364	1.59975	9.99842	19.9968	39.9937
712	0.0187	0.0110797	0.387791	0.3988707	1.59548	9.97177	19.9435	39.8871
713	0.0186	0.0110502	0.386757	0.3978072	1.59123	9.94519	19.8904	39.7807
714	0.0186	0.0110207	0.385726	0.3967467	1.58699	9.91867	19.8373	39.6747
715	0.0186	0.0109914	0.384698	0.3956894	1.58276	9.89222	19.7844	39.5689
716	0.0185	0.010962	0.383672	0.394634	1.57853	9.86584	19.7317	39.4634
717	0.0185	0.0109328	0.382648	0.3935808	1.57432	9.83953	19.6791	39.3581
718	0.0185	0.0109036	0.381627	0.3925306	1.57012	9.81328	19.6266	39.2531
719	0.0184	0.0108745	0.380609	0.3914835	1.56593	9.78709	19.5742	39.1484
720	0.0184	0.0108455	0.379594	0.3904395	1.56176	9.76098	19.522	39.0439
721	0.0184	0.0108166	0.37858	0.3893966	1.55759	9.73492	19.4698	38.9397
722	0.0184	0.0107877	0.37757	0.3883577	1.55343	9.70894	19.4179	38.8358
723	0.0183	0.0107589	0.376562	0.3873209	1.54928	9.68302	19.366	38.7321
724	0.0183	0.0107302	0.375556	0.3862862	1.54515	9.65716	19.3143	38.6287
725	0.0183	0.0107015	0.374553	0.3852545	1.54102	9.63137	19.2627	38.5255
726	0.0182	0.0106729	0.373553	0.3842259	1.5369	9.60565	19.2113	38.4226
727	0.0182	0.0106444	0.372555	0.3831994	1.5328	9.57999	19.16	38.3199
728	0.0182	0.010616	0.37156	0.382176	1.5287	9.55439	19.1088	38.2176
729	0.0182	0.0105876	0.370567	0.3811546	1.52462	9.52886	19.0577	38.1154
730	0.0181	0.0105593	0.369576	0.3801353	1.52054	9.50339	19.0068	38.0136
731	0.0181	0.0105311	0.368588	0.3791191	1.51648	9.47799	18.956	37.9119
732	0.0181	0.0105029	0.367603	0.3781059	1.51242	9.45265	18.9053	37.8106
733	0.018	0.0104749	0.36662	0.3770949	1.50838	9.42737	18.8547	37.7095
734	0.018	0.0104468	0.36564	0.3760868	1.50435	9.40216	18.8043	37.6086
735	0.018	0.0104189	0.364661	0.3750799	1.50032	9.37701	18.754	37.508
736	0.018	0.010391	0.363686	0.374077	1.49631	9.35192	18.7038	37.4077
737	0.0179	0.0103632	0.362713	0.3730762	1.4923	9.3269	18.6538	37.3076
738	0.0179	0.0103355	0.361742	0.3720775	1.48831	9.30194	18.6039	37.2078
739	0.0179	0.0103078	0.360774	0.3710818	1.48433	9.27705	18.5541	37.1082
740	0.0178	0.0102802	0.359808	0.3700882	1.48035	9.25221	18.5044	37.0088

741	0.0178	0.0102527	0.358845	0.3690977	1.47639	9.22744	18.4549	36.9098
742	0.0178	0.0102253	0.357884	0.3681093	1.47244	9.20273	18.4055	36.8109
743	0.0177	0.0101979	0.356925	0.3671229	1.46849	9.17808	18.3562	36.7123
744	0.0177	0.0101706	0.355969	0.3661396	1.46456	9.1535	18.307	36.614
745	0.0177	0.0101433	0.355016	0.3651593	1.46064	9.12897	18.2579	36.5159
746	0.0177	0.0101161	0.354064	0.3641801	1.45672	9.10451	18.209	36.4181
747	0.0176	0.010089	0.353116	0.363205	1.45282	9.08011	18.1602	36.3205
748	0.0176	0.010062	0.352169	0.362231	1.44892	9.05577	18.1115	36.2231
749	0.0176	0.010035	0.351225	0.36126	1.44504	9.0315	18.063	36.126
750	0.0176	0.0100081	0.350283	0.3602911	1.44116	9.00728	18.0146	36.0291
751	0.0175	0.00998125	0.349344	0.35932525	1.4373	8.98313	17.9663	35.9325
752	0.0175	0.00995448	0.348407	0.35836148	1.43344	8.95903	17.9181	35.8361
753	0.0175	0.00992777	0.347472	0.35739977	1.4296	8.935	17.87	35.74
754	0.0174	0.00990114	0.34654	0.35644114	1.42576	8.91102	17.822	35.6441
755	0.0174	0.00987457	0.34561	0.35548457	1.42194	8.88711	17.7742	35.5484
756	0.0174	0.00984806	0.344682	0.35453006	1.41812	8.86326	17.7265	35.453
757	0.0174	0.00982163	0.343757	0.35357863	1.41431	8.83947	17.6789	35.3579
758	0.0173	0.00979526	0.342834	0.35262926	1.41052	8.81573	17.6315	35.2629
759	0.0173	0.00976895	0.341913	0.35168195	1.40673	8.79206	17.5841	35.1682
760	0.0173	0.00974272	0.340995	0.35073772	1.40295	8.76845	17.5369	35.0738
761	0.0172	0.00971655	0.340079	0.34979555	1.39918	8.74489	17.4898	34.9796
762	0.0172	0.00969044	0.339165	0.34885544	1.39542	8.7214	17.4428	34.8856
763	0.0172	0.0096644	0.338254	0.3479184	1.39167	8.69796	17.3959	34.7918
764	0.0172	0.00963843	0.337345	0.34698343	1.38793	8.67459	17.3492	34.6983
765	0.0171	0.00961252	0.336438	0.34605052	1.3842	8.65127	17.3025	34.6051
766	0.0171	0.00958668	0.335534	0.34512068	1.38048	8.62801	17.256	34.512
767	0.0171	0.0095609	0.334631	0.3441919	1.37677	8.60481	17.2096	34.4192
768	0.0171	0.00953519	0.333732	0.34326719	1.37307	8.58167	17.1633	34.3267
769	0.017	0.00950954	0.332834	0.34234354	1.36937	8.55858	17.1172	34.2343
770	0.017	0.00948396	0.331938	0.34142196	1.36569	8.53556	17.0711	34.1422
771	0.017	0.00945844	0.331045	0.34050344	1.36201	8.51259	17.0252	34.0504
772	0.0169	0.00943298	0.330154	0.33958698	1.35835	8.48968	16.9794	33.9587
773	0.0169	0.00940759	0.329266	0.33867359	1.35469	8.46683	16.9337	33.8673
774	0.0169	0.00938227	0.328379	0.33776127	1.35105	8.44404	16.8881	33.7762
775	0.0169	0.009357	0.327495	0.336852	1.34741	8.4213	16.8426	33.6852
776	0.0168	0.0093318	0.326613	0.3359448	1.34378	8.39862	16.7972	33.5945
777	0.0168	0.00930667	0.325733	0.33503967	1.34016	8.376	16.752	33.504
778	0.0168	0.0092816	0.324856	0.3341376	1.33655	8.35344	16.7069	33.4138
779	0.0168	0.00925659	0.323981	0.33323759	1.33295	8.33093	16.6619	33.3237
780	0.0167	0.00923164	0.323108	0.33233964	1.32936	8.30848	16.617	33.2339
781	0.0167	0.00920676	0.322237	0.33144376	1.32577	8.28609	16.5722	33.1443
782	0.0167	0.00918194	0.321368	0.33054994	1.3222	8.26375	16.5275	33.055
783	0.0166	0.00915719	0.320502	0.32965919	1.31863	8.24147	16.4829	32.9659
784	0.0166	0.00913249	0.319637	0.32876949	1.31508	8.21924	16.4385	32.877
785	0.0166	0.00910786	0.318775	0.32788286	1.31153	8.19707	16.3941	32.7883
786	0.0166	0.00908329	0.317915	0.32699829	1.30799	8.17496	16.3499	32.6998
787	0.0165	0.00905878	0.317057	0.32611578	1.30446	8.1529	16.3058	32.6116
788	0.0165	0.00903434	0.316202	0.32523634	1.30094	8.1309	16.2618	32.5236
789	0.0165	0.00900995	0.315348	0.32435795	1.29743	8.10896	16.2179	32.4358
790	0.0165	0.00898563	0.314497	0.32348263	1.29393	8.08707	16.1741	32.3483
791	0.0164	0.00896137	0.313648	0.32260937	1.29044	8.06523	16.1305	32.2609
792	0.0164	0.00893717	0.312801	0.32173817	1.28695	8.04345	16.0869	32.1738
793	0.0164	0.00891303	0.311956	0.32086903	1.28348	8.02173	16.0435	32.0869
794	0.0164	0.00888896	0.311113	0.32000196	1.28001	8.00006	16.0001	32.0002
795	0.0163	0.00886494	0.310273	0.31913794	1.27655	7.97845	15.9569	31.9138
796	0.0163	0.00884099	0.309434	0.31827499	1.2731	7.95689	15.9138	31.8275
797	0.0163	0.00881709	0.308598	0.31741509	1.26966	7.93538	15.8708	31.7415
798	0.0163	0.00879326	0.307764	0.31655726	1.26623	7.91393	15.8279	31.6557
799	0.0162	0.00876948	0.306932	0.31570148	1.26281	7.89253	15.7851	31.5701
800	0.0162	0.00874577	0.306102	0.31484777	1.25939	7.87119	15.7424	31.4848
801	0.0162	0.00872212	0.305274	0.31399612	1.25598	7.8499	15.6998	31.3996
802	0.0162	0.00869852	0.304448	0.31314652	1.25259	7.82867	15.6573	31.3147
803	0.0161	0.00867499	0.303625	0.31229999	1.2492	7.80749	15.615	31.23
804	0.0161	0.00865151	0.302803	0.31145451	1.24582	7.78636	15.5727	31.1455
805	0.0161	0.0086281	0.301983	0.3106111	1.24245	7.76529	15.5306	31.0612
806	0.0161	0.00860474	0.301166	0.30977074	1.23908	7.74427	15.4885	30.9771
807	0.016	0.00858145	0.300351	0.30893245	1.23573	7.7233	15.4466	30.8932
808	0.016	0.00855821	0.299537	0.30809521	1.23238	7.70239	15.4048	30.8096
809	0.016	0.00853503	0.298726	0.30726103	1.22904	7.68153	15.3631	30.7261
810	0.016	0.00851191	0.297917	0.30642891	1.22572	7.66072	15.3214	30.6429
811	0.0159	0.00848885	0.29711	0.30559885	1.22239	7.63997	15.2799	30.5599
812	0.0159	0.00846585	0.296305	0.30477085	1.21908	7.61927	15.2385	30.4771
813	0.0159	0.00844291	0.295502	0.30394491	1.21578	7.59862	15.1972	30.3945

814	0.0158	0.00842002	0.294701	0.30312102	1.21248	7.57802	15.156	30.3121
815	0.0158	0.0083972	0.293902	0.3022992	1.2092	7.55748	15.115	30.2299
816	0.0158	0.00837443	0.293105	0.30147943	1.20592	7.53698	15.074	30.1479
817	0.0158	0.00835171	0.29231	0.30066171	1.20265	7.51654	15.0331	30.0662
818	0.0157	0.00832906	0.291517	0.29984606	1.19938	7.49615	14.9923	29.9846
819	0.0157	0.00830646	0.290726	0.29903246	1.19613	7.47582	14.9516	29.9033
820	0.0157	0.00828393	0.289937	0.29822093	1.19289	7.45553	14.9111	29.8221
821	0.0157	0.00826144	0.289151	0.29741244	1.18965	7.4353	14.8706	29.7412
822	0.0156	0.00823902	0.288366	0.29660502	1.18642	7.41512	14.8302	29.6605
823	0.0156	0.00821665	0.287583	0.29579965	1.1832	7.39499	14.79	29.58
824	0.0156	0.00819434	0.286802	0.29499634	1.17999	7.37491	14.7498	29.4996
825	0.0156	0.00817209	0.286023	0.29419509	1.17678	7.35488	14.7098	29.4195
826	0.0156	0.00814989	0.285246	0.29339589	1.17358	7.3349	14.6698	29.3396
827	0.0155	0.00812775	0.284471	0.29259875	1.1704	7.31498	14.63	29.2599
828	0.0155	0.00810567	0.283698	0.29180367	1.16722	7.2951	14.5902	29.1804
829	0.0155	0.00808364	0.282927	0.29101064	1.16404	7.27528	14.5506	29.1011
830	0.0155	0.00806167	0.282158	0.29021967	1.16088	7.2555	14.511	29.022
831	0.0154	0.00803976	0.281391	0.28943076	1.15772	7.23578	14.4716	28.9431
832	0.0154	0.0080179	0.280626	0.2886439	1.15458	7.21611	14.4322	28.8644
833	0.0154	0.00799609	0.279863	0.28785909	1.15144	7.19648	14.393	28.7859
834	0.0154	0.00797434	0.279102	0.28707634	1.14831	7.17691	14.3538	28.7076
835	0.0153	0.00795265	0.278343	0.28629565	1.14518	7.15739	14.3148	28.6295
836	0.0153	0.00793101	0.277585	0.28551601	1.14207	7.13791	14.2758	28.5517
837	0.0153	0.00790943	0.27683	0.28473943	1.13896	7.11849	14.237	28.474
838	0.0153	0.00788791	0.276077	0.28396491	1.13586	7.09911	14.1982	28.3965
839	0.0152	0.00786643	0.275325	0.28319143	1.13277	7.07979	14.1596	28.3192
840	0.0152	0.00784502	0.274576	0.28242102	1.12968	7.06051	14.121	28.2421
841	0.0152	0.00782365	0.273828	0.28165165	1.12661	7.04129	14.0826	28.1652
842	0.0152	0.00780235	0.273082	0.28088435	1.12354	7.02211	14.0442	28.0884
843	0.0151	0.00778109	0.272338	0.28011909	1.12048	7.00298	14.006	28.0119
844	0.0151	0.00775989	0.271596	0.27935589	1.11742	6.9839	13.9678	27.9356
845	0.0151	0.00773875	0.270856	0.27859475	1.11438	6.96487	13.9297	27.8595
846	0.0151	0.00771766	0.270118	0.27783566	1.11134	6.94589	13.8918	27.7836
847	0.015	0.00769662	0.269382	0.27707862	1.10831	6.92696	13.8539	27.7078
848	0.015	0.00767564	0.268647	0.27632264	1.10529	6.90807	13.8161	27.6323
849	0.015	0.00765471	0.267915	0.27556971	1.10228	6.88924	13.7785	27.557
850	0.015	0.00763383	0.267184	0.27481783	1.09927	6.87045	13.7409	27.4818
851	0.0149	0.00761301	0.266455	0.27406801	1.09627	6.85171	13.7034	27.4068
852	0.0149	0.00759224	0.265729	0.27332124	1.09328	6.83302	13.666	27.3321
853	0.0149	0.00757153	0.265003	0.27257453	1.0903	6.81438	13.6288	27.2575
854	0.0149	0.00755087	0.26428	0.27183087	1.08732	6.79578	13.5916	27.1831
855	0.0148	0.00753026	0.263559	0.27108926	1.08436	6.77723	13.5545	27.1089
856	0.0148	0.0075097	0.262839	0.2703487	1.0814	6.75873	13.5175	27.0349
857	0.0148	0.0074892	0.262122	0.2696112	1.07844	6.74028	13.4806	26.9611
858	0.0148	0.00746874	0.261406	0.26887474	1.0755	6.72187	13.4437	26.8875
859	0.0148	0.00744835	0.260692	0.26814035	1.07256	6.70351	13.407	26.814
860	0.0147	0.007428	0.25998	0.267408	1.06963	6.6852	13.3704	26.7408
861	0.0147	0.00740771	0.25927	0.26667771	1.06671	6.66694	13.3339	26.6677
862	0.0147	0.00738746	0.258561	0.26594846	1.06379	6.64872	13.2974	26.5949
863	0.0147	0.00736727	0.257855	0.26522227	1.06089	6.63055	13.2611	26.5222
864	0.0146	0.00734714	0.25715	0.26449714	1.05799	6.61242	13.2248	26.4497
865	0.0146	0.00732705	0.256447	0.26377405	1.0551	6.59435	13.1887	26.3774
866	0.0146	0.00730702	0.255746	0.26305302	1.05221	6.57631	13.1526	26.3053
867	0.0146	0.00728703	0.255046	0.26233303	1.04933	6.55833	13.1167	26.2333
868	0.0145	0.0072671	0.254349	0.2616161	1.04646	6.54039	13.0808	26.1616
869	0.0145	0.00724722	0.253653	0.26090022	1.0436	6.5225	13.045	26.09
870	0.0145	0.00722739	0.252959	0.26018639	1.04074	6.50465	13.0093	26.0186
871	0.0145	0.00720761	0.252266	0.25947361	1.0379	6.48685	12.9737	25.9474
872	0.0145	0.00718789	0.251576	0.25876389	1.03506	6.4691	12.9382	25.8764
873	0.0144	0.00716821	0.250887	0.25805521	1.03222	6.45139	12.9028	25.8056
874	0.0144	0.00714859	0.2502	0.25734859	1.0294	6.43373	12.8675	25.7349
875	0.0144	0.00712901	0.249515	0.25664401	1.02658	6.41611	12.8322	25.6644
876	0.0144	0.00710949	0.248832	0.25594149	1.02377	6.39854	12.7971	25.5942
877	0.0143	0.00709001	0.24815	0.25524001	1.02096	6.38101	12.762	25.524
878	0.0143	0.00707059	0.247471	0.25454159	1.01816	6.36353	12.7271	25.4541
879	0.0143	0.00705122	0.246793	0.25384422	1.01537	6.34609	12.6922	25.3844
880	0.0143	0.00703189	0.246116	0.25314789	1.01259	6.3287	12.6574	25.3148
881	0.0142	0.00701262	0.245442	0.25245462	1.00982	6.31136	12.6227	25.2454
882	0.0142	0.00699339	0.244769	0.25176239	1.00705	6.29405	12.5881	25.1762
883	0.0142	0.00697422	0.244098	0.25107222	1.00429	6.2768	12.5536	25.1072
884	0.0142	0.0069551	0.243428	0.2503831	1.00153	6.25959	12.5192	25.0383
885	0.0142	0.00693602	0.242761	0.24969702	0.998787	6.24242	12.4848	24.9697
886	0.0141	0.00691699	0.242095	0.24901199	0.996047	6.2253	12.4506	24.9012

887	0.0141	0.00689802	0.241431	0.24832902	0.993315	6.20822	12.4164	24.8329
888	0.0141	0.00687909	0.240768	0.24764709	0.990589	6.19118	12.3824	24.7647
889	0.0141	0.00686021	0.240107	0.24696721	0.987871	6.17419	12.3484	24.6968
890	0.014	0.00684138	0.239448	0.24628938	0.985159	6.15724	12.3145	24.629
891	0.014	0.0068226	0.238791	0.2456136	0.982455	6.14034	12.2807	24.5614
892	0.014	0.00680387	0.238135	0.24493887	0.979757	6.12348	12.247	24.4939
893	0.014	0.00678519	0.237482	0.24426719	0.977067	6.10667	12.2133	24.4267
894	0.014	0.00676655	0.236829	0.24359555	0.974383	6.0899	12.1798	24.3596
895	0.0139	0.00674796	0.236179	0.24292696	0.971707	6.07317	12.1463	24.2927
896	0.0139	0.00672943	0.23553	0.24225943	0.969037	6.05648	12.113	24.2259
897	0.0139	0.00671094	0.234883	0.24159394	0.966375	6.03984	12.0797	24.1594
898	0.0139	0.00669249	0.234237	0.24092949	0.963719	6.02324	12.0465	24.093
899	0.0138	0.0066741	0.233593	0.2402671	0.96107	6.00669	12.0134	24.0268
900	0.0138	0.00665575	0.232951	0.23960675	0.958428	5.99018	11.9804	23.9607
901	0.0138	0.00663745	0.232311	0.23894845	0.955793	5.97371	11.9474	23.8948
902	0.0138	0.0066192	0.231672	0.2382912	0.953165	5.95728	11.9146	23.8291
903	0.0138	0.006601	0.231035	0.237636	0.950544	5.9409	11.8818	23.7636
904	0.0137	0.00658284	0.230399	0.23698184	0.947929	5.92456	11.8491	23.6982
905	0.0137	0.00656473	0.229766	0.23633073	0.945321	5.90826	11.8165	23.633
906	0.0137	0.00654667	0.229133	0.23567967	0.94272	5.892	11.784	23.568
907	0.0137	0.00652865	0.228503	0.23503165	0.940126	5.87579	11.7516	23.5032
908	0.0136	0.00651069	0.227874	0.23438469	0.937539	5.85962	11.7192	23.4385
909	0.0136	0.00649276	0.227247	0.23373976	0.934958	5.84349	11.687	23.374
910	0.0136	0.00647489	0.226621	0.23309589	0.932384	5.8274	11.6548	23.3096
911	0.0136	0.00645706	0.225997	0.23245406	0.929817	5.81136	11.6227	23.2454
912	0.0136	0.00643928	0.225375	0.23181428	0.927256	5.79535	11.5907	23.1814
913	0.0135	0.00642154	0.224754	0.23117554	0.924702	5.77939	11.5588	23.1176
914	0.0135	0.00640386	0.224135	0.23053886	0.922155	5.76347	11.5269	23.0539
915	0.0135	0.00638621	0.223517	0.22990321	0.919615	5.74759	11.4952	22.9904
916	0.0135	0.00636862	0.222902	0.22927062	0.917081	5.73175	11.4635	22.927
917	0.0135	0.00635106	0.222287	0.22863806	0.914553	5.71596	11.4319	22.8638
918	0.0134	0.00633356	0.221675	0.22800856	0.912033	5.7002	11.4004	22.8008
919	0.0134	0.0063161	0.221063	0.2273791	0.909518	5.68449	11.369	22.738
920	0.0134	0.00629869	0.220454	0.22675269	0.907011	5.66882	11.3376	22.6753
921	0.0134	0.00628132	0.219846	0.22612732	0.90451	5.65319	11.3064	22.6127
922	0.0133	0.00626399	0.21924	0.22550399	0.902015	5.6376	11.2752	22.5504
923	0.0133	0.00624672	0.218635	0.22488172	0.899527	5.62205	11.2441	22.4882
924	0.0133	0.00622949	0.218032	0.22426149	0.897046	5.60654	11.2131	22.4261
925	0.0133	0.0062123	0.21743	0.2236423	0.894571	5.59107	11.1821	22.3643
926	0.0133	0.00619516	0.21683	0.22302516	0.892102	5.57564	11.1513	22.3026
927	0.0132	0.00617806	0.216232	0.22241006	0.88964	5.56025	11.1205	22.241
928	0.0132	0.00616101	0.215635	0.22179601	0.887185	5.54491	11.0898	22.1796
929	0.0132	0.006144	0.21504	0.221184	0.884736	5.5296	11.0592	22.1184
930	0.0132	0.00612704	0.214446	0.22057304	0.882293	5.51433	11.0287	22.0573
931	0.0132	0.00611012	0.213854	0.21996412	0.879857	5.49911	10.9982	21.9964
932	0.0131	0.00609324	0.213263	0.21935624	0.877427	5.48392	10.9678	21.9357
933	0.0131	0.00607641	0.212674	0.21875041	0.875003	5.46877	10.9375	21.8751
934	0.0131	0.00605963	0.212087	0.21814663	0.872586	5.45366	10.9073	21.8147
935	0.0131	0.00604289	0.211501	0.21754389	0.870175	5.4386	10.8772	21.7544
936	0.0131	0.00602619	0.210917	0.21694319	0.867771	5.42357	10.8471	21.6943
937	0.013	0.00600953	0.210334	0.21634353	0.865373	5.40858	10.8172	21.6343
938	0.013	0.00599292	0.209752	0.21574492	0.862981	5.39363	10.7873	21.5745
939	0.013	0.00597636	0.209172	0.21514836	0.860595	5.37872	10.7574	21.5149
940	0.013	0.00595983	0.208594	0.21455383	0.858216	5.36385	10.7277	21.4554
941	0.0129	0.00594335	0.208017	0.21396035	0.855843	5.34902	10.698	21.3961
942	0.0129	0.00592692	0.207442	0.21336892	0.853476	5.33423	10.6685	21.3369
943	0.0129	0.00591053	0.206868	0.21277853	0.851116	5.31947	10.6389	21.2779
944	0.0129	0.00589418	0.206296	0.21219018	0.848761	5.30476	10.6095	21.219
945	0.0129	0.00587787	0.205725	0.21160287	0.846413	5.29008	10.5802	21.1603
946	0.0128	0.00586161	0.205156	0.21101761	0.844071	5.27545	10.5509	21.1018
947	0.0128	0.00584539	0.204589	0.21043439	0.841736	5.26085	10.5217	21.0434
948	0.0128	0.00582921	0.204022	0.20985121	0.839406	5.24629	10.4926	20.9852
949	0.0128	0.00581307	0.203458	0.20927107	0.837083	5.23177	10.4635	20.9271
950	0.0128	0.00579698	0.202894	0.20869098	0.834765	5.21728	10.4346	20.8691
951	0.0127	0.00578093	0.202333	0.20811393	0.832454	5.20284	10.4057	20.8114
952	0.0127	0.00576492	0.201772	0.20753692	0.830149	5.18843	10.3769	20.7537
953	0.0127	0.00574896	0.201214	0.20696296	0.82785	5.17406	10.3481	20.6962
954	0.0127	0.00573303	0.200656	0.20638903	0.825557	5.15973	10.3195	20.6389
955	0.0127	0.00571715	0.2001	0.20581715	0.82327	5.14544	10.2909	20.5818
956	0.0126	0.00570131	0.199546	0.20524731	0.820989	5.13118	10.2624	20.5247
957	0.0126	0.00568552	0.198993	0.20467852	0.818714	5.11697	10.2339	20.4679
958	0.0126	0.00566976	0.198442	0.20411176	0.816446	5.10279	10.2056	20.4111
959	0.0126	0.00565405	0.197892	0.20354605	0.814183	5.08864	10.1773	20.3546

960	0.0126	0.00563838	0.197343	0.20298138	0.811926	5.07454	10.1491	20.2982
961	0.0125	0.00562274	0.196796	0.20241874	0.809675	5.06047	10.1209	20.2419
962	0.0125	0.00560716	0.19625	0.20185716	0.80743	5.04644	10.0929	20.1858
963	0.0125	0.00559161	0.195706	0.20129761	0.805191	5.03245	10.0649	20.1298
964	0.0125	0.0055761	0.195164	0.2007401	0.802958	5.01849	10.037	20.074
965	0.0125	0.00556063	0.194622	0.20018263	0.800731	5.00457	10.0091	20.0183
966	0.0124	0.00554521	0.194082	0.19962721	0.79851	4.99069	9.98138	19.9628
967	0.0124	0.00552983	0.193544	0.19907383	0.796295	4.97684	9.95369	19.9074
968	0.0124	0.00551448	0.193007	0.19852148	0.794086	4.96304	9.92607	19.8521
969	0.0124	0.00549918	0.192471	0.19797018	0.791882	4.94926	9.89853	19.7971
970	0.0124	0.00548392	0.191937	0.19742092	0.789684	4.93553	9.87106	19.7421
971	0.0123	0.0054687	0.191404	0.1968727	0.787493	4.92183	9.84366	19.6873
972	0.0123	0.00545352	0.190873	0.19632652	0.785307	4.90817	9.81633	19.6327
973	0.0123	0.00543838	0.190343	0.19578138	0.783126	4.89454	9.78908	19.5782
974	0.0123	0.00542328	0.189815	0.19523828	0.780952	4.88095	9.7619	19.5238
975	0.0123	0.00540822	0.189288	0.19469622	0.778783	4.8674	9.73479	19.4696
976	0.0122	0.0053932	0.188762	0.1941552	0.776621	4.85388	9.70776	19.4155
977	0.0122	0.00537822	0.188238	0.19361622	0.774464	4.8404	9.68079	19.3616
978	0.0122	0.00536328	0.187715	0.19307828	0.772312	4.82695	9.6539	19.3078
979	0.0122	0.00534838	0.187193	0.19254138	0.770167	4.81354	9.62708	19.2542
980	0.0122	0.00533352	0.186673	0.19200652	0.768027	4.80017	9.60033	19.2007
981	0.0121	0.0053187	0.186154	0.1914727	0.765893	4.78683	9.57366	19.1473
982	0.0121	0.00530392	0.185637	0.19094092	0.763764	4.77353	9.54705	19.0941
983	0.0121	0.00528918	0.185121	0.19041018	0.761641	4.76026	9.52052	19.041
984	0.0121	0.00527447	0.184607	0.18988147	0.759524	4.74703	9.49405	18.9881
985	0.0121	0.00525981	0.184093	0.18935281	0.757413	4.73383	9.46766	18.9353
986	0.012	0.00524519	0.183581	0.18882619	0.755307	4.72067	9.44133	18.8827
987	0.012	0.0052306	0.183071	0.1883016	0.753206	4.70754	9.41508	18.8302
988	0.012	0.00521605	0.182562	0.18777805	0.751112	4.69445	9.3889	18.7778
989	0.012	0.00520155	0.182054	0.18725555	0.749023	4.68139	9.36279	18.7256
990	0.012	0.00518708	0.181548	0.18673508	0.746939	4.66837	9.33674	18.6735
991	0.0119	0.00517265	0.181043	0.18621565	0.744861	4.65538	9.31077	18.6215
992	0.0119	0.00515826	0.180539	0.18569726	0.742789	4.64243	9.28486	18.5697
993	0.0119	0.00514391	0.180037	0.18518091	0.740722	4.62951	9.25903	18.5181
994	0.0119	0.00512959	0.179536	0.18466559	0.738661	4.61663	9.23326	18.4665
995	0.0119	0.00511531	0.179036	0.18415131	0.736605	4.60378	9.20757	18.4151
996	0.0118	0.00510108	0.178538	0.18363908	0.734555	4.59097	9.18194	18.3639
997	0.0118	0.00508688	0.178041	0.18312788	0.73251	4.57819	9.15638	18.3128
998	0.0118	0.00507272	0.177545	0.18261772	0.730471	4.56544	9.13089	18.2618
999	0.0118	0.00505859	0.177051	0.18210959	0.728437	4.55273	9.10547	18.2109
1000	0.0118	0.00504451	0.176558	0.18160251	0.726409	4.54006	9.08011	18.1602
1001	0.0118	0.00503046	0.176066	0.18109646	0.724386	4.52741	9.05483	18.1097
1002	0.0117	0.00501645	0.175576	0.18059245	0.722369	4.5148	9.02961	18.0592
1003	0.0117	0.00500248	0.175087	0.18008948	0.720357	4.50223	9.00446	18.0089
1004	0.0117	0.00498854	0.174599	0.17958754	0.71835	4.48969	8.97937	17.9587
1005	0.0117	0.00497464	0.174113	0.17908764	0.716349	4.47718	8.95436	17.9087
1006	0.0117	0.00496078	0.173627	0.17858778	0.714353	4.46467	8.92941	17.8588
1007	0.0116	0.00494696	0.173144	0.17809096	0.712362	4.45226	8.90453	17.8091
1008	0.0116	0.00493317	0.172661	0.17759417	0.710377	4.43986	8.87971	17.7594
1009	0.0116	0.00491942	0.17218	0.17709942	0.708397	4.42748	8.85496	17.7099
1010	0.0116	0.00490571	0.1717	0.17660571	0.706423	4.41514	8.83028	17.6606
1011	0.0116	0.00489204	0.171221	0.17611304	0.704453	4.40283	8.80567	17.6113
1012	0.0115	0.0048784	0.170744	0.1756224	0.70249	4.39056	8.78112	17.5622
1013	0.0115	0.0048648	0.170268	0.1751328	0.700531	4.37832	8.75664	17.5133
1014	0.0115	0.00485123	0.169793	0.17464423	0.698578	4.36611	8.73222	17.4644
1015	0.0115	0.0048377	0.16932	0.1741577	0.696629	4.35393	8.70787	17.4157
1016	0.0115	0.00482421	0.168847	0.17367121	0.694687	4.34179	8.68358	17.3672
1017	0.0114	0.00481076	0.168377	0.17318776	0.692749	4.32968	8.65936	17.3187
1018	0.0114	0.00479734	0.167907	0.17270434	0.690817	4.3176	8.63521	17.2704
1019	0.0114	0.00478395	0.167438	0.17222195	0.688889	4.30556	8.61112	17.2222
1020	0.0114	0.00477061	0.166971	0.17174161	0.686968	4.29355	8.58709	17.1742
1021	0.0114	0.0047573	0.166505	0.1712623	0.685051	4.28157	8.56313	17.1263
1022	0.0114	0.00474402	0.166041	0.17078502	0.683139	4.26962	8.53924	17.0785
1023	0.0113	0.00473078	0.165577	0.17030778	0.681233	4.2577	8.51541	17.0308
1024	0.0113	0.00471758	0.165115	0.16983258	0.679331	4.24582	8.49164	16.9833
1025	0.0113	0.00470441	0.164654	0.16935841	0.677435	4.23397	8.46794	16.9359
1026	0.0113	0.00469128	0.164195	0.16888628	0.675544	4.22215	8.4443	16.8886
1027	0.0113	0.00467818	0.163736	0.16841418	0.673658	4.21036	8.42073	16.8415
1028	0.0112	0.00466512	0.163279	0.16794412	0.671778	4.19861	8.39722	16.7944
1029	0.0112	0.0046521	0.162823	0.1674751	0.669902	4.18689	8.37377	16.7475
1030	0.0112	0.00463911	0.162369	0.16700811	0.668031	4.17519	8.35039	16.7008
1031	0.0112	0.00462615	0.161915	0.16654115	0.666166	4.16353	8.32707	16.6541
1032	0.0112	0.00461323	0.161463	0.16607623	0.664305	4.15191	8.30381	16.6076

1033	0.0112	0.00460034	0.161012	0.16561234	0.66245	4.14031	8.28062	16.5612
1034	0.0111	0.00458749	0.160562	0.16514949	0.660599	4.12874	8.25749	16.515
1035	0.0111	0.00457468	0.160114	0.16468868	0.658754	4.11721	8.23442	16.4688
1036	0.0111	0.0045619	0.159666	0.1642279	0.656913	4.10571	8.21142	16.4228
1037	0.0111	0.00454915	0.15922	0.16376915	0.655078	4.09424	8.18847	16.3769
1038	0.0111	0.00453644	0.158775	0.16331144	0.653247	4.0828	8.16559	16.3312
1039	0.011	0.00452376	0.158332	0.16285576	0.651422	4.07139	8.14277	16.2855
1040	0.011	0.00451112	0.157889	0.16240012	0.649601	4.06001	8.12002	16.24
1041	0.011	0.00449851	0.157448	0.16194651	0.647786	4.04866	8.09732	16.1946
1042	0.011	0.00448594	0.157008	0.16149394	0.645975	4.03734	8.07469	16.1494
1043	0.011	0.0044734	0.156569	0.1610424	0.644169	4.02606	8.05211	16.1042
1044	0.011	0.00446089	0.156131	0.16059189	0.642368	4.0148	8.0296	16.0592
1045	0.0109	0.00444842	0.155695	0.16014342	0.640572	4.00358	8.00715	16.0143
1046	0.0109	0.00443598	0.155259	0.15969498	0.638781	3.99238	7.98477	15.9695
1047	0.0109	0.00442358	0.154825	0.15924858	0.636995	3.98122	7.96244	15.9249
1048	0.0109	0.00441121	0.154392	0.15880321	0.635214	3.97009	7.94017	15.8803
1049	0.0109	0.00439887	0.15396	0.15835887	0.633437	3.95898	7.91797	15.8359
1050	0.0108	0.00438657	0.15353	0.15791657	0.631666	3.94791	7.89582	15.7916
1051	0.0108	0.0043743	0.1531	0.1574743	0.629899	3.93687	7.87373	15.7475
1052	0.0108	0.00436206	0.152672	0.15703406	0.628137	3.92585	7.85171	15.7034
1053	0.0108	0.00434986	0.152245	0.15659486	0.62638	3.91487	7.82974	15.6595
1054	0.0108	0.00433769	0.151819	0.15615669	0.624627	3.90392	7.80784	15.6157
1055	0.0108	0.00432555	0.151394	0.15571955	0.622879	3.893	7.78599	15.572
1056	0.0107	0.00431345	0.150971	0.15528445	0.621137	3.8821	7.76421	15.5284
1057	0.0107	0.00430138	0.150548	0.15484938	0.619398	3.87124	7.74248	15.485
1058	0.0107	0.00428934	0.150127	0.15441634	0.617665	3.86041	7.72081	15.4416
1059	0.0107	0.00427734	0.149707	0.15398434	0.615936	3.8496	7.69921	15.3984
1060	0.0107	0.00426536	0.149288	0.15355336	0.614213	3.83883	7.67766	15.3553
1061	0.0107	0.00425343	0.14887	0.15312343	0.612493	3.82808	7.65617	15.3123
1062	0.0106	0.00424152	0.148453	0.15269452	0.610779	3.81737	7.63474	15.2695
1063	0.0106	0.00422965	0.148038	0.15226765	0.609069	3.80668	7.61336	15.2267
1064	0.0106	0.0042178	0.147623	0.1518408	0.607364	3.79602	7.59205	15.1841
1065	0.0106	0.004206	0.14721	0.151416	0.605663	3.7854	7.57079	15.1416
1066	0.0106	0.00419422	0.146798	0.15099222	0.603967	3.7748	7.54959	15.0992
1067	0.0105	0.00418247	0.146387	0.15056947	0.602276	3.76423	7.52845	15.0569
1068	0.0105	0.00417076	0.145977	0.15014776	0.60059	3.75369	7.50737	15.0147
1069	0.0105	0.00415908	0.145568	0.14972708	0.598908	3.74317	7.48635	14.9727
1070	0.0105	0.00414743	0.14516	0.14930743	0.59723	3.73269	7.46538	14.9308
1071	0.0105	0.00413582	0.144754	0.14888982	0.595558	3.72223	7.44447	14.8889
1072	0.0105	0.00412423	0.144348	0.14847223	0.593889	3.71181	7.42362	14.8472
1073	0.0104	0.00411268	0.143944	0.14805668	0.592226	3.70141	7.40282	14.8056
1074	0.0104	0.00410116	0.143541	0.14764216	0.590567	3.69104	7.38208	14.7642
1075	0.0104	0.00408967	0.143138	0.14722767	0.588912	3.6807	7.3614	14.7228
1076	0.0104	0.00407821	0.142737	0.14681521	0.587262	3.67039	7.34078	14.6816
1077	0.0104	0.00406678	0.142337	0.14640378	0.585617	3.66011	7.32021	14.6404
1078	0.0104	0.00405539	0.141939	0.14599439	0.583976	3.64985	7.2997	14.5994
1079	0.0103	0.00404402	0.141541	0.14558502	0.58234	3.63962	7.27924	14.5585
1080	0.0103	0.00403269	0.141144	0.14517669	0.580708	3.62942	7.25885	14.5177
1081	0.0103	0.00402139	0.140749	0.14477039	0.57908	3.61925	7.2385	14.477
1082	0.0103	0.00401012	0.140354	0.14436412	0.577457	3.60911	7.21822	14.4364
1083	0.0103	0.00399888	0.139961	0.14395988	0.575839	3.59899	7.19798	14.396
1084	0.0103	0.00398767	0.139569	0.14355667	0.574225	3.5889	7.17781	14.3556
1085	0.0102	0.00397649	0.139177	0.14315349	0.572615	3.57884	7.15769	14.3154
1086	0.0102	0.00396535	0.138787	0.14275235	0.57101	3.56881	7.13762	14.2752
1087	0.0102	0.00395423	0.138398	0.14235223	0.569409	3.55881	7.11762	14.2352
1088	0.0102	0.00394314	0.13801	0.14195314	0.567813	3.54883	7.09766	14.1953
1089	0.0102	0.00393209	0.137623	0.14155509	0.566221	3.53888	7.07776	14.1555
1090	0.0102	0.00392106	0.137237	0.14115806	0.564633	3.52896	7.05792	14.1158
1091	0.0101	0.00391007	0.136852	0.14076207	0.56305	3.51906	7.03813	14.0763
1092	0.0101	0.00389911	0.136469	0.14036811	0.561471	3.5092	7.01839	14.0368
1093	0.0101	0.00388817	0.136086	0.13997417	0.559897	3.49935	6.99871	13.9974
1094	0.0101	0.00387727	0.135704	0.13958127	0.558327	3.48954	6.97908	13.9582
1095	0.0101	0.00386639	0.135324	0.13919039	0.556761	3.47976	6.95951	13.919
1096	0.0101	0.00385555	0.134944	0.13879955	0.555199	3.47	6.93999	13.88
1097	0.01	0.00384474	0.134566	0.13841074	0.553642	3.46026	6.92053	13.8411
1098	0.01	0.00383395	0.134188	0.13802195	0.552089	3.45056	6.90112	13.8022
1099	0.01	0.0038232	0.133812	0.1376352	0.550541	3.44088	6.88176	13.7635
1100	0.00998	0.00381247	0.133437	0.13724947	0.548996	3.43123	6.86245	13.7249
1101	0.00996	0.00380178	0.133062	0.13686378	0.547456	3.4216	6.8432	13.6864
1102	0.00995	0.00379111	0.132689	0.13648011	0.54592	3.412	6.82401	13.648
1103	0.00993	0.00378048	0.132317	0.13609748	0.544389	3.40243	6.80486	13.6097
1104	0.00992	0.00376987	0.131946	0.13571587	0.542862	3.39288	6.78577	13.5715
1105	0.0099	0.00375929	0.131575	0.13533429	0.541338	3.38337	6.76673	13.5335

1106	0.00988	0.00374875	0.131206	0.13495475	0.53982	3.37387	6.74774	13.4955
1107	0.00986	0.00373823	0.130838	0.13457623	0.538305	3.36441	6.72881	13.4576
1108	0.00985	0.00372774	0.130471	0.13419874	0.536794	3.35496	6.70993	13.4199
1109	0.00983	0.00371728	0.130105	0.13382228	0.535288	3.34555	6.6911	13.3822
1110	0.00982	0.00370685	0.12974	0.13344685	0.533786	3.33616	6.67232	13.3446
1111	0.0098	0.00369644	0.129376	0.13307244	0.532288	3.3268	6.6536	13.3072
1112	0.00978	0.00368607	0.129012	0.13269807	0.530794	3.31746	6.63493	13.2699
1113	0.00977	0.00367572	0.12865	0.13232572	0.529304	3.30815	6.6163	13.2326
1114	0.00975	0.00366541	0.128289	0.13195441	0.527819	3.29887	6.59773	13.1955
1115	0.00973	0.00365512	0.127929	0.13158412	0.526337	3.28961	6.57922	13.1584
1116	0.00972	0.00364486	0.12757	0.13121486	0.52486	3.28037	6.56075	13.1215
1117	0.0097	0.00363463	0.127212	0.13084663	0.523387	3.27117	6.54233	13.0847
1118	0.00969	0.00362443	0.126855	0.13047943	0.521918	3.26198	6.52397	13.0479
1119	0.00967	0.00361425	0.126499	0.13011325	0.520452	3.25283	6.50566	13.0113
1120	0.00965	0.00360411	0.126144	0.12974811	0.518991	3.2437	6.48739	12.9748
1121	0.00963	0.00359399	0.12579	0.12938399	0.517534	3.23459	6.46918	12.9384
1122	0.00962	0.0035839	0.125436	0.1290199	0.516082	3.22551	6.45102	12.902
1123	0.0096	0.00357384	0.125084	0.12865784	0.514633	3.21645	6.43291	12.8658
1124	0.00959	0.0035638	0.124733	0.1282968	0.513188	3.20742	6.41485	12.8297
1125	0.00957	0.0035538	0.124383	0.1279368	0.511747	3.19842	6.39684	12.7937
1126	0.00956	0.00354382	0.124034	0.12757782	0.51031	3.18944	6.37888	12.7578
1127	0.00954	0.00353387	0.123685	0.12721887	0.508877	3.18048	6.36097	12.7219
1128	0.00952	0.00352395	0.123338	0.12686195	0.507449	3.17155	6.34311	12.6862
1129	0.0095	0.00351405	0.122992	0.12650605	0.506024	3.16265	6.3253	12.6506
1130	0.00949	0.00350419	0.122647	0.12615119	0.504603	3.15377	6.30753	12.6151
1131	0.00947	0.00349435	0.122302	0.12579635	0.503186	3.14491	6.28982	12.5796
1132	0.00946	0.00348453	0.121959	0.12544353	0.501773	3.13608	6.27216	12.5443
1133	0.00944	0.00347475	0.121616	0.12509075	0.500364	3.12727	6.25455	12.5091
1134	0.00943	0.00346499	0.121275	0.12473999	0.498959	3.11849	6.23698	12.474
1135	0.00941	0.00345526	0.120934	0.12438926	0.497557	3.10973	6.21947	12.4389
1136	0.00939	0.00344556	0.120594	0.12403956	0.49616	3.101	6.202	12.404
1137	0.00938	0.00343588	0.120256	0.12369188	0.494767	3.09229	6.18458	12.3692
1138	0.00936	0.00342623	0.119918	0.12334423	0.493377	3.08361	6.16721	12.3344
1139	0.00934	0.00341661	0.119581	0.12299761	0.491991	3.07495	6.14989	12.2998
1140	0.00933	0.00340701	0.119245	0.12265201	0.49061	3.06631	6.13262	12.2652
1141	0.00931	0.00339744	0.11891	0.12230744	0.489232	3.0577	6.1154	12.2308
1142	0.0093	0.0033879	0.118576	0.1219639	0.487858	3.04911	6.09822	12.1964
1143	0.00928	0.00337838	0.118243	0.12162138	0.486487	3.04055	6.08109	12.1622
1144	0.00927	0.00336889	0.117911	0.12127989	0.485121	3.03201	6.06401	12.128
1145	0.00925	0.00335943	0.11758	0.12093943	0.483758	3.02349	6.04698	12.094
1146	0.00924	0.00335	0.11725	0.1206	0.482399	3.015	6.02999	12.06
1147	0.00922	0.00334059	0.11692	0.12026059	0.481044	3.00653	6.01305	12.0261
1148	0.0092	0.0033312	0.116592	0.1199232	0.479693	2.99808	5.99616	11.9923
1149	0.00919	0.00332184	0.116265	0.11958684	0.478346	2.98966	5.97932	11.9586
1150	0.00917	0.00331251	0.115938	0.11925051	0.477002	2.98126	5.96252	11.925
1151	0.00915	0.00330321	0.115612	0.11891521	0.475662	2.97289	5.94578	11.8916
1152	0.00914	0.00329393	0.115288	0.11858193	0.474326	2.96454	5.92907	11.8581
1153	0.00912	0.00328468	0.114964	0.11824868	0.472993	2.95621	5.91242	11.8248
1154	0.00911	0.00327545	0.114641	0.11791645	0.471665	2.9479	5.89581	11.7916
1155	0.00909	0.00326625	0.114319	0.11758525	0.47034	2.93962	5.87925	11.7585
1156	0.00908	0.00325707	0.113998	0.11725507	0.469018	2.93137	5.86273	11.7255
1157	0.00906	0.00324792	0.113677	0.11692492	0.467701	2.92313	5.84626	11.6925
1158	0.00905	0.0032388	0.113358	0.1165968	0.466387	2.91492	5.82984	11.6597
1159	0.00903	0.0032297	0.113039	0.1162687	0.465077	2.90673	5.81346	11.6269
1160	0.00902	0.00322063	0.112722	0.11594263	0.46377	2.89856	5.79713	11.5943
1161	0.009	0.00321158	0.112405	0.11561658	0.462467	2.89042	5.78084	11.5617
1162	0.00899	0.00320256	0.112089	0.11529156	0.461168	2.8823	5.7646	11.5292
1163	0.00897	0.00319356	0.111775	0.11496856	0.459873	2.8742	5.74841	11.4968
1164	0.00895	0.00318459	0.111461	0.11464559	0.458581	2.86613	5.73226	11.4645
1165	0.00894	0.00317564	0.111147	0.11432264	0.457292	2.85808	5.71615	11.4323
1166	0.00892	0.00316672	0.110835	0.11400172	0.456008	2.85005	5.70009	11.4002
1167	0.00891	0.00315782	0.110524	0.11368182	0.454726	2.84204	5.68408	11.3682
1168	0.00889	0.00314895	0.110213	0.11336195	0.453449	2.83406	5.66811	11.3362
1169	0.00888	0.0031401	0.109904	0.1130441	0.452175	2.82609	5.65219	11.3044
1170	0.00886	0.00313128	0.109595	0.11272628	0.450905	2.81815	5.63631	11.2726
1171	0.00885	0.00312249	0.109287	0.11240949	0.449638	2.81024	5.62047	11.2409
1172	0.00883	0.00311371	0.10898	0.11209371	0.448375	2.80234	5.60468	11.2094
1173	0.00881	0.00310497	0.108674	0.11177897	0.447115	2.79447	5.58894	11.1779
1174	0.0088	0.00309624	0.108369	0.11146524	0.445859	2.78662	5.57324	11.1465
1175	0.00878	0.00308754	0.108064	0.11115154	0.444606	2.77879	5.55758	11.1152
1176	0.00877	0.00307887	0.10776	0.11083887	0.443357	2.77098	5.54197	11.0839
1177	0.00875	0.00307022	0.107458	0.11052822	0.442112	2.7632	5.5264	11.0528
1178	0.00874	0.0030616	0.107156	0.1102176	0.44087	2.75544	5.51087	11.0217

1179	0.00872	0.00305299	0.106855	0.10990799	0.439631	2.7477	5.49539	10.9908
1180	0.00871	0.00304442	0.106555	0.10959942	0.438396	2.73998	5.47995	10.9599
1181	0.00869	0.00303587	0.106255	0.10929087	0.437165	2.73228	5.46456	10.9291
1182	0.00868	0.00302734	0.105957	0.10898434	0.435937	2.7246	5.44921	10.8984
1183	0.00866	0.00301883	0.105659	0.10867783	0.434712	2.71695	5.4339	10.8678
1184	0.00865	0.00301035	0.105362	0.10837235	0.433491	2.70932	5.41863	10.8373
1185	0.00863	0.0030019	0.105066	0.1080679	0.432273	2.70171	5.40341	10.8068
1186	0.00862	0.00299346	0.104771	0.10776446	0.431059	2.69412	5.38823	10.7765
1187	0.0086	0.00298505	0.104477	0.10746205	0.429848	2.68655	5.3731	10.7462
1188	0.00859	0.00297667	0.104183	0.10715967	0.42864	2.679	5.358	10.716
1189	0.00857	0.00296831	0.103891	0.10685931	0.427436	2.67148	5.34295	10.6859
1190	0.00856	0.00295997	0.103599	0.10655897	0.426235	2.66397	5.32794	10.6559
1191	0.00854	0.00295165	0.103308	0.10625965	0.425038	2.65649	5.31298	10.626
1192	0.00853	0.00294336	0.103018	0.10596136	0.423844	2.64903	5.29805	10.5961
1193	0.00851	0.00293509	0.102728	0.10566309	0.422654	2.64159	5.28317	10.5663
1194	0.0085	0.00292685	0.10244	0.10536685	0.421466	2.63417	5.26833	10.5367
1195	0.00848	0.00291863	0.102152	0.10507063	0.420283	2.62677	5.25353	10.5071
1196	0.00847	0.00291043	0.101865	0.10477543	0.419102	2.61939	5.23878	10.4776
1197	0.00845	0.00290226	0.101579	0.10448126	0.417925	2.61203	5.22406	10.4481
1198	0.00844	0.00289411	0.101294	0.10418811	0.416751	2.60469	5.20939	10.4188
1199	0.00842	0.00288598	0.101009	0.10389498	0.415581	2.59738	5.19476	10.3895
1200	0.00841	0.00287787	0.100725	0.10360287	0.414413	2.59008	5.18017	10.3603
1201	0.0084	0.00286979	0.100443	0.10331279	0.41325	2.58281	5.16562	10.3312
1202	0.00838	0.00286173	0.100161	0.10302273	0.412089	2.57556	5.15111	10.3022
1203	0.00837	0.00285369	0.0998792	0.10273289	0.410932	2.56832	5.13664	10.2733
1204	0.00835	0.00284568	0.0995987	0.10244438	0.409778	2.56111	5.12222	10.2444
1205	0.00834	0.00283769	0.099319	0.10215669	0.408627	2.55392	5.10783	10.2157
1206	0.00832	0.00282972	0.0990401	0.10186982	0.407479	2.54674	5.09349	10.187
1207	0.00831	0.00282177	0.098762	0.10158377	0.406335	2.53959	5.07919	10.1584
1208	0.00829	0.00281385	0.0984846	0.10129845	0.405194	2.53246	5.06492	10.1298
1209	0.00828	0.00280594	0.0982081	0.10101404	0.404056	2.52535	5.0507	10.1014
1210	0.00827	0.00279807	0.0979323	0.10073037	0.402921	2.51826	5.03652	10.073
1211	0.00825	0.00279021	0.0976573	0.10044751	0.40179	2.51119	5.02238	10.0448
1212	0.00824	0.00278237	0.0973831	0.10016547	0.400662	2.50414	5.00827	10.0165
1213	0.00822	0.00277456	0.0971097	0.09988426	0.399537	2.49711	4.99421	9.98842
1214	0.00821	0.00276677	0.096837	0.09960377	0.398415	2.49009	4.98019	9.96038
1215	0.00819	0.002759	0.0965651	0.0993241	0.397296	2.4831	4.96621	9.93241
1216	0.00818	0.00275126	0.096294	0.09904526	0.396181	2.47613	4.95226	9.90453
1217	0.00816	0.00274353	0.0960237	0.09876723	0.395069	2.46918	4.93836	9.87672
1218	0.00815	0.00273583	0.0957541	0.09848993	0.39396	2.46225	4.9245	9.84899
1219	0.00813	0.00272815	0.0954853	0.09821345	0.392854	2.45534	4.91067	9.82134
1220	0.00812	0.00272049	0.0952172	0.09793769	0.391751	2.44844	4.89689	9.79377
1221	0.0081	0.00271285	0.0949499	0.09766275	0.390651	2.44157	4.88314	9.76628
1222	0.00809	0.00270524	0.0946834	0.09738864	0.389555	2.43472	4.86943	9.73886
1223	0.00808	0.00269765	0.0944176	0.09711525	0.388461	2.42788	4.85576	9.71153
1224	0.00806	0.00269007	0.0941526	0.09684267	0.387371	2.42107	4.84213	9.68427
1225	0.00805	0.00268252	0.0938883	0.09657082	0.386283	2.41427	4.82854	9.65708
1226	0.00803	0.00267499	0.0936248	0.09629979	0.385199	2.40749	4.81499	9.62998
1227	0.00802	0.00266749	0.093362	0.09602949	0.384118	2.40074	4.80148	9.60295
1228	0.00801	0.00266	0.0931	0.09576	0.38304	2.394	4.788	9.576
1229	0.00799	0.00265254	0.0928387	0.09549124	0.381965	2.38728	4.77456	9.54913
1230	0.00798	0.00264509	0.0925782	0.09522329	0.380893	2.38058	4.76116	9.52233
1231	0.00796	0.00263767	0.0923184	0.09495607	0.379824	2.3739	4.7478	9.49561
1232	0.00795	0.00263027	0.0920593	0.09468957	0.378758	2.36724	4.73448	9.46896
1233	0.00793	0.00262289	0.091801	0.09442389	0.377696	2.3606	4.7212	9.44239
1234	0.00792	0.00261553	0.0915434	0.09415893	0.376636	2.35397	4.70795	9.4159
1235	0.0079	0.00260819	0.0912866	0.09389479	0.375579	2.34737	4.69474	9.38948
1236	0.00789	0.00260087	0.0910305	0.09363137	0.374525	2.34078	4.68157	9.36313
1237	0.00788	0.00259357	0.0907751	0.09336867	0.373475	2.33422	4.66843	9.33686
1238	0.00786	0.0025863	0.0905204	0.0931067	0.372427	2.32767	4.65533	9.31067
1239	0.00785	0.00257904	0.0902665	0.09284554	0.371382	2.32114	4.64228	9.28455
1240	0.00784	0.00257181	0.0900132	0.09258501	0.37034	2.31463	4.62925	9.2585
1241	0.00782	0.00256459	0.0897607	0.09232529	0.369301	2.30813	4.61627	9.23253
1242	0.00781	0.0025574	0.089509	0.0920664	0.368265	2.30166	4.60332	9.20664
1243	0.00779	0.00255023	0.0892579	0.09180813	0.367233	2.2952	4.59041	9.18081
1244	0.00778	0.00254307	0.0890076	0.09155067	0.366203	2.28877	4.57753	9.15506
1245	0.00776	0.00253594	0.0887579	0.09129384	0.365175	2.28235	4.56469	9.12939
1246	0.00775	0.00252883	0.088509	0.09103783	0.364151	2.27595	4.55189	9.10378
1247	0.00774	0.00252174	0.0882608	0.09078254	0.36313	2.26956	4.53913	9.07825
1248	0.00773	0.00251467	0.0880133	0.09052797	0.362112	2.2632	4.5264	9.0528
1249	0.00771	0.00250761	0.0877665	0.09027411	0.361096	2.25685	4.51371	9.02741
1250	0.0077	0.00250058	0.0875204	0.09002098	0.360084	2.25052	4.50105	9.0021
1251	0.00768	0.00249357	0.087275	0.08976857	0.359074	2.24421	4.48843	8.97686

1252	0.00767	0.00248658	0.0870303	0.08951688	0.358068	2.23792	4.47584	8.95169
1253	0.00765	0.00247961	0.0867863	0.08926591	0.357064	2.23165	4.4633	8.92659
1254	0.00764	0.00247266	0.086543	0.08901566	0.356063	2.22539	4.45078	8.90157
1255	0.00763	0.00246573	0.0863004	0.08876613	0.355065	2.21915	4.43831	8.87661
1256	0.00761	0.00245881	0.0860585	0.08851731	0.354069	2.21293	4.42587	8.85173
1257	0.0076	0.00245192	0.0858173	0.08826922	0.353077	2.20673	4.41346	8.82692
1258	0.00759	0.00244505	0.0855767	0.08802175	0.352087	2.20054	4.40109	8.80218
1259	0.00757	0.0024382	0.0853369	0.0877751	0.3511	2.19438	4.38875	8.77751
1260	0.00756	0.00243136	0.0850977	0.08752906	0.350116	2.18823	4.37645	8.75291
1261	0.00754	0.00242455	0.0848593	0.08728385	0.349135	2.1821	4.36419	8.72838
1262	0.00753	0.00241776	0.0846215	0.08703926	0.348157	2.17598	4.35196	8.70392
1263	0.00752	0.00241098	0.0843843	0.08679528	0.347181	2.16988	4.33977	8.67953
1264	0.00751	0.00240423	0.0841479	0.08655213	0.346208	2.1638	4.32761	8.65521
1265	0.00749	0.00239749	0.0839121	0.08630959	0.345238	2.15774	4.31548	8.63096
1266	0.00748	0.00239077	0.083677	0.08606777	0.344271	2.1517	4.30339	8.60678
1267	0.00746	0.00238407	0.0834426	0.08582667	0.343307	2.14567	4.29133	8.58267
1268	0.00745	0.0023774	0.0832089	0.0855863	0.342345	2.13966	4.27931	8.55863
1269	0.00744	0.00237074	0.0829758	0.08534654	0.341386	2.13366	4.26733	8.53465
1270	0.00742	0.0023641	0.0827434	0.0851075	0.34043	2.12769	4.25537	8.51075
1271	0.00741	0.00235748	0.0825116	0.08486908	0.339476	2.12173	4.24346	8.48691
1272	0.0074	0.00235087	0.0822806	0.08463147	0.338526	2.11579	4.23157	8.46314
1273	0.00738	0.00234429	0.0820501	0.08439439	0.337578	2.10986	4.21972	8.43944
1274	0.00737	0.00233772	0.0818204	0.08415812	0.336632	2.10395	4.2079	8.41581
1275	0.00735	0.00233118	0.0815913	0.08392248	0.33569	2.09806	4.19612	8.39224
1276	0.00734	0.00232465	0.0813628	0.08368745	0.33475	2.09219	4.18437	8.36875
1277	0.00733	0.00231814	0.081135	0.08345314	0.333813	2.08633	4.17266	8.34531
1278	0.00732	0.00231165	0.0809079	0.08321955	0.332878	2.08049	4.16098	8.32195
1279	0.0073	0.00230518	0.0806814	0.08298658	0.331946	2.07466	4.14933	8.29865
1280	0.00729	0.00229873	0.0804555	0.08275423	0.331017	2.06886	4.13771	8.27542
1281	0.00727	0.00229229	0.0802303	0.08252259	0.33009	2.06307	4.12613	8.25226
1282	0.00726	0.00228588	0.0800058	0.08229168	0.329167	2.05729	4.11458	8.22916
1283	0.00725	0.00227948	0.0797819	0.08206138	0.328245	2.05153	4.10307	8.20613
1284	0.00724	0.0022731	0.0795586	0.0818317	0.327327	2.04579	4.09158	8.18317
1285	0.00722	0.00226674	0.079336	0.08160274	0.326411	2.04007	4.08013	8.16027
1286	0.00721	0.0022604	0.079114	0.0813744	0.325497	2.03436	4.06872	8.13744
1287	0.00719	0.00225407	0.0788926	0.08114667	0.324587	2.02867	4.05733	8.11467
1288	0.00718	0.00224777	0.0786719	0.08091967	0.323679	2.02299	4.04598	8.09197
1289	0.00717	0.00224148	0.0784518	0.08069328	0.322773	2.01733	4.03466	8.06933
1290	0.00716	0.00223521	0.0782323	0.08046751	0.32187	2.01169	4.02338	8.04676
1291	0.00714	0.00222896	0.0780135	0.08024246	0.32097	2.00606	4.01212	8.02425
1292	0.00713	0.00222272	0.0777953	0.08001802	0.320072	2.00045	4.0009	8.0018
1293	0.00712	0.00221651	0.0775777	0.07979421	0.319177	1.99486	3.98971	7.97942
1294	0.0071	0.00221031	0.0773608	0.07957111	0.318284	1.98928	3.97855	7.95711
1295	0.00709	0.00220413	0.0771445	0.07934863	0.317394	1.98371	3.96743	7.93486
1296	0.00708	0.00219796	0.0769288	0.07912676	0.316507	1.97817	3.95634	7.91267
1297	0.00706	0.00219182	0.0767137	0.07890552	0.315622	1.97264	3.94527	7.89055
1298	0.00705	0.00218569	0.0764992	0.07868489	0.31474	1.96712	3.93424	7.86849
1299	0.00704	0.00217958	0.0762853	0.07846488	0.31386	1.96162	3.92325	7.84649
1300	0.00703	0.00217349	0.0760721	0.07824559	0.312982	1.95614	3.91228	7.82456
1301	0.00701	0.00216741	0.0758595	0.07802691	0.312108	1.95067	3.90134	7.80269
1302	0.007	0.00216136	0.0756475	0.07780886	0.311235	1.94522	3.89044	7.78088
1303	0.00698	0.00215532	0.075436	0.07759132	0.310365	1.93978	3.87957	7.75914
1304	0.00697	0.00214929	0.0752252	0.07737449	0.309498	1.93436	3.86873	7.73745
1305	0.00696	0.00214329	0.0750151	0.07715839	0.308633	1.92896	3.85792	7.71583
1306	0.00695	0.0021373	0.0748055	0.0769428	0.307771	1.92357	3.84714	7.69428
1307	0.00693	0.00213133	0.0745965	0.07672783	0.306911	1.91819	3.83639	7.67278
1308	0.00692	0.00212537	0.0743881	0.07651347	0.306054	1.91284	3.82567	7.65135
1309	0.00691	0.00211944	0.0741803	0.07629974	0.305199	1.90749	3.81499	7.62997
1310	0.0069	0.00211352	0.0739731	0.07608662	0.304346	1.90217	3.80433	7.60866
1311	0.00688	0.00210761	0.0737665	0.07587411	0.303496	1.89685	3.79371	7.58741
1312	0.00687	0.00210173	0.0735605	0.07566223	0.302649	1.89156	3.78311	7.56622
1313	0.00686	0.00209586	0.0733551	0.07545096	0.301804	1.88627	3.77255	7.54509
1314	0.00685	0.00209001	0.0731503	0.07524031	0.300961	1.88101	3.76201	7.52403
1315	0.00683	0.00208417	0.072946	0.07503017	0.300121	1.87576	3.75151	7.50302
1316	0.00682	0.00207835	0.0727424	0.07482075	0.299283	1.87052	3.74104	7.48207
1317	0.0068	0.00207255	0.0725393	0.07461185	0.298448	1.8653	3.73059	7.46119
1318	0.00679	0.00206677	0.0723369	0.07440367	0.297615	1.86009	3.72018	7.44036
1319	0.00678	0.002061	0.072135	0.074196	0.296784	1.8549	3.7098	7.4196
1320	0.00677	0.00205525	0.0719337	0.07398895	0.295956	1.84972	3.69945	7.39889
1321	0.00675	0.00204951	0.0717329	0.07378241	0.29513	1.84456	3.68912	7.37824
1322	0.00674	0.00204379	0.0715328	0.07357659	0.294306	1.83941	3.67883	7.35766
1323	0.00673	0.00203809	0.0713332	0.07337129	0.293485	1.83428	3.66856	7.33713
1324	0.00672	0.00203241	0.0711342	0.07316661	0.292666	1.82916	3.65833	7.31666

1325	0.0067	0.00202674	0.0709358	0.07296254	0.29185	1.82406	3.64812	7.29625
1326	0.00669	0.00202108	0.0707379	0.07275898	0.291036	1.81897	3.63795	7.2759
1327	0.00668	0.00201545	0.0705406	0.07255605	0.290224	1.8139	3.6278	7.25561
1328	0.00667	0.00200983	0.0703439	0.07235373	0.289415	1.80884	3.61769	7.23537
1329	0.00665	0.00200422	0.0701477	0.07215192	0.288608	1.8038	3.6076	7.2152
1330	0.00664	0.00199863	0.0699521	0.07195073	0.287803	1.79877	3.59754	7.19508
1331	0.00663	0.00199306	0.0697571	0.07175016	0.287001	1.79375	3.58751	7.17502
1332	0.00662	0.0019875	0.0695627	0.0715502	0.286201	1.78875	3.57751	7.15502
1333	0.0066	0.00198196	0.0693687	0.07135066	0.285403	1.78377	3.56754	7.13507
1334	0.00659	0.00197644	0.0691754	0.07115184	0.284607	1.7788	3.55759	7.11518
1335	0.00658	0.00197093	0.0689826	0.07095353	0.283814	1.77384	3.54768	7.09535
1336	0.00657	0.00196544	0.0687904	0.07075584	0.283023	1.7689	3.53779	7.07558
1337	0.00655	0.00195996	0.0685987	0.07055866	0.282235	1.76397	3.52793	7.05587
1338	0.00654	0.0019545	0.0684076	0.0703621	0.281448	1.75905	3.5181	7.03621
1339	0.00653	0.00194906	0.068217	0.07016606	0.280664	1.75415	3.5083	7.01661
1340	0.00652	0.00194363	0.068027	0.06997063	0.279882	1.74927	3.49853	6.99706
1341	0.0065	0.00193821	0.0678375	0.06977571	0.279103	1.74439	3.48879	6.97757
1342	0.00649	0.00193282	0.0676486	0.06958142	0.278326	1.73953	3.47907	6.95814
1343	0.00648	0.00192743	0.0674602	0.06938763	0.27755	1.73469	3.46938	6.93876
1344	0.00647	0.00192207	0.0672723	0.06919437	0.276778	1.72986	3.45972	6.91944
1345	0.00645	0.00191671	0.067085	0.06900171	0.276007	1.72504	3.45009	6.90017
1346	0.00644	0.00191138	0.0668983	0.06880968	0.275239	1.72024	3.44048	6.88096
1347	0.00643	0.00190606	0.066712	0.06861806	0.274472	1.71545	3.4309	6.86181
1348	0.00642	0.00190075	0.0665264	0.06842715	0.273708	1.71068	3.42136	6.84271
1349	0.0064	0.00189546	0.0663412	0.06823666	0.272947	1.70592	3.41183	6.82367
1350	0.00639	0.00189019	0.0661566	0.06804679	0.272187	1.70117	3.40234	6.80468
1351	0.00638	0.00188493	0.0659725	0.06785743	0.27143	1.69644	3.39287	6.78574
1352	0.00637	0.00187968	0.0657889	0.06766858	0.270675	1.69172	3.38343	6.76686
1353	0.00636	0.00187445	0.0656059	0.06748035	0.269922	1.68701	3.37402	6.74804
1354	0.00635	0.00186924	0.0654234	0.06729264	0.269171	1.68232	3.36463	6.72927
1355	0.00633	0.00186404	0.0652415	0.06710554	0.268422	1.67764	3.35528	6.71055
1356	0.00632	0.00185886	0.06506	0.06691886	0.267676	1.67297	3.34594	6.69189
1357	0.00631	0.00185369	0.0648791	0.06673279	0.266931	1.66832	3.33664	6.67328
1358	0.0063	0.00184853	0.0646987	0.06654723	0.266189	1.66368	3.32736	6.65472
1359	0.00628	0.00184334	0.0645188	0.0663622	0.265449	1.65906	3.31811	6.63622
1360	0.00627	0.00183827	0.0643395	0.06617777	0.264711	1.65444	3.30889	6.61777
1361	0.00626	0.00183316	0.0641606	0.06599376	0.263975	1.64984	3.29969	6.59938
1362	0.00625	0.00182807	0.0639823	0.06581037	0.263241	1.64526	3.29052	6.58104
1363	0.00623	0.00182299	0.0638045	0.06562749	0.26251	1.64069	3.28137	6.56275
1364	0.00622	0.00181792	0.0636272	0.06544512	0.261781	1.63613	3.27226	6.54451
1365	0.00621	0.00181287	0.0634504	0.06526327	0.261053	1.63158	3.26316	6.52633
1366	0.0062	0.00180783	0.0632742	0.06508203	0.260328	1.62705	3.2541	6.5082
1367	0.00619	0.00180281	0.0630984	0.06490121	0.259605	1.62253	3.24506	6.49012
1368	0.00618	0.00179778	0.0629231	0.0647209	0.258884	1.61802	3.23605	6.47209
1369	0.00616	0.00179281	0.0627484	0.06454121	0.258165	1.61353	3.22706	6.45412
1370	0.00615	0.00178783	0.0625741	0.06436193	0.257448	1.60905	3.2181	6.4362
1371	0.00614	0.00178287	0.0624004	0.06418327	0.256733	1.60458	3.20916	6.41833
1372	0.00613	0.00177792	0.0622272	0.06400512	0.25602	1.60013	3.20025	6.40051
1373	0.00611	0.00177298	0.0620544	0.06382738	0.25531	1.59569	3.19137	6.38274
1374	0.0061	0.00176806	0.0618822	0.06365026	0.254601	1.59126	3.18251	6.36503
1375	0.00609	0.00176316	0.0617104	0.06347356	0.253894	1.58684	3.17368	6.34736
1376	0.00608	0.00175826	0.0615392	0.06329746	0.25319	1.58244	3.16487	6.32975
1377	0.00607	0.00175338	0.0613685	0.06312188	0.252487	1.57805	3.15609	6.31218
1378	0.00606	0.00174852	0.0611982	0.06294672	0.251787	1.57367	3.14734	6.29467
1379	0.00604	0.00174367	0.0610284	0.06277207	0.251088	1.5693	3.13861	6.27721
1380	0.00603	0.00173883	0.0608592	0.06259803	0.250392	1.56495	3.1299	6.2598
1381	0.00602	0.00173401	0.0606904	0.06242441	0.249698	1.56061	3.12122	6.24244
1382	0.00601	0.0017292	0.0605221	0.0622513	0.249005	1.55628	3.11256	6.22513
1383	0.006	0.00172441	0.0603543	0.06207871	0.248315	1.55197	3.10393	6.20787
1384	0.00599	0.00171963	0.060187	0.06190663	0.247626	1.54766	3.09533	6.19066
1385	0.00597	0.00171486	0.0600201	0.06173496	0.24694	1.54337	3.08675	6.1735
1386	0.00596	0.00171011	0.0598538	0.06156391	0.246255	1.5391	3.07819	6.15639
1387	0.00595	0.00170537	0.0596879	0.06139327	0.245573	1.53483	3.06966	6.13933
1388	0.00594	0.00170064	0.0595225	0.06122314	0.244893	1.53058	3.06116	6.12231
1389	0.00592	0.00169593	0.0593576	0.06105353	0.244214	1.52634	3.05267	6.10535
1390	0.00592	0.00169123	0.0591931	0.06088433	0.243537	1.52211	3.04422	6.08844
1391	0.0059	0.00168655	0.0590292	0.06071575	0.242863	1.51789	3.03579	6.07157
1392	0.00589	0.00168188	0.0588657	0.06054758	0.24219	1.51369	3.02738	6.05476
1393	0.00588	0.00167722	0.0587027	0.06037992	0.241519	1.5095	3.01899	6.03799
1394	0.00587	0.00167257	0.0585401	0.06021267	0.240851	1.50532	3.01063	6.02127
1395	0.00586	0.00166794	0.058378	0.06004594	0.240184	1.50115	3.0023	6.0046
1396	0.00585	0.00166333	0.0582164	0.05987973	0.239519	1.49699	2.99399	5.98798
1397	0.00583	0.00165872	0.0580553	0.05971402	0.238856	1.49285	2.9857	5.9714

1398	0.00582	0.00165413	0.0578946	0.05954873	0.238195	1.48872	2.97744	5.95487
1399	0.00581	0.00164955	0.0577344	0.05938395	0.237536	1.4846	2.9692	5.9384
1400	0.0058	0.00164499	0.0575747	0.05921969	0.236879	1.48049	2.96098	5.92197
1401	0.00579	0.00164044	0.0574154	0.05905584	0.236223	1.4764	2.95279	5.90558
1402	0.00578	0.0016359	0.0572566	0.0588925	0.23557	1.47231	2.94462	5.88925
1403	0.00576	0.00163138	0.0570982	0.05872958	0.234918	1.46824	2.93648	5.87296
1404	0.00575	0.00162687	0.0569403	0.05856717	0.234269	1.46418	2.92836	5.85672
1405	0.00574	0.00162237	0.0567828	0.05840517	0.233621	1.46013	2.92026	5.84052
1406	0.00573	0.00161788	0.0566259	0.05824378	0.232975	1.45609	2.91219	5.82437
1407	0.00572	0.00161341	0.0564693	0.05808271	0.232331	1.45207	2.90414	5.80827
1408	0.00571	0.00160895	0.0563132	0.05792215	0.231689	1.44805	2.89611	5.79222
1409	0.00569	0.0016045	0.0561576	0.0577621	0.231048	1.44405	2.88811	5.77621
1410	0.00569	0.00160007	0.0560024	0.05760247	0.23041	1.44006	2.88012	5.76025
1411	0.00567	0.00159565	0.0558477	0.05744335	0.229773	1.43608	2.87217	5.74433
1412	0.00566	0.00159124	0.0556934	0.05728464	0.229139	1.43212	2.86423	5.72847
1413	0.00565	0.00158684	0.0555396	0.05712644	0.228506	1.42816	2.85632	5.71264
1414	0.00564	0.00158246	0.0553862	0.05696866	0.227875	1.42422	2.84843	5.69686
1415	0.00563	0.00157809	0.0552332	0.05681129	0.227245	1.42028	2.84057	5.68113
1416	0.00562	0.00157374	0.0550807	0.05665444	0.226618	1.41636	2.83272	5.66545
1417	0.0056	0.00156939	0.0549287	0.05649809	0.225992	1.41245	2.8249	5.64981
1418	0.00559	0.00156506	0.054777	0.05634206	0.225368	1.40855	2.81711	5.63421
1419	0.00558	0.00156074	0.0546259	0.05618664	0.224746	1.40466	2.80933	5.61866
1420	0.00557	0.00155643	0.0544751	0.05603153	0.224126	1.40079	2.80158	5.60315
1421	0.00556	0.00155214	0.0543248	0.05587694	0.223508	1.39692	2.79385	5.58769
1422	0.00555	0.00154786	0.0541749	0.05572276	0.222891	1.39307	2.78614	5.57228
1423	0.00554	0.00154359	0.0540255	0.05556909	0.222276	1.38923	2.77845	5.55691
1424	0.00553	0.00153933	0.0538765	0.05541583	0.221663	1.3854	2.77079	5.54158
1425	0.00551	0.00153508	0.0537279	0.05526298	0.221052	1.38157	2.76315	5.5263
1426	0.0055	0.00153085	0.0535798	0.05511065	0.220442	1.37777	2.75553	5.51106
1427	0.00549	0.00152663	0.053432	0.05495863	0.219835	1.37397	2.74793	5.49587
1428	0.00548	0.00152242	0.0532848	0.05480722	0.219229	1.37018	2.74036	5.48072
1429	0.00547	0.00151823	0.0531379	0.05465613	0.218624	1.3664	2.73281	5.46561
1430	0.00546	0.00151404	0.0529915	0.05450554	0.218022	1.36264	2.72528	5.45055
1431	0.00545	0.00150987	0.0528455	0.05435537	0.217421	1.35888	2.71777	5.43553
1432	0.00544	0.00150571	0.0526999	0.05420561	0.216822	1.35514	2.71028	5.42056
1433	0.00542	0.00150156	0.0525547	0.05405626	0.216225	1.35141	2.70281	5.40563
1434	0.00542	0.00149743	0.0524099	0.05390733	0.21563	1.34768	2.69537	5.39074
1435	0.0054	0.0014933	0.0522656	0.0537589	0.215036	1.34397	2.68795	5.37589
1436	0.00539	0.00148919	0.0521217	0.05361089	0.214444	1.34027	2.68055	5.36109
1437	0.00538	0.00148509	0.0519782	0.05346329	0.213853	1.33658	2.67317	5.34633
1438	0.00537	0.001481	0.0518351	0.0533161	0.213265	1.3329	2.66581	5.33161
1439	0.00536	0.00147693	0.0516925	0.05316943	0.212678	1.32924	2.65847	5.31694
1440	0.00535	0.00147286	0.0515502	0.05302306	0.212092	1.32558	2.65115	5.30231
1441	0.00534	0.00146881	0.0514084	0.05287721	0.211509	1.32193	2.64386	5.28772
1442	0.00533	0.00146477	0.051267	0.05273177	0.210927	1.31829	2.63659	5.27317
1443	0.00531	0.00146074	0.051126	0.05258674	0.210347	1.31467	2.62933	5.25867
1444	0.00531	0.00145672	0.0509853	0.05244202	0.209768	1.31105	2.6221	5.24421
1445	0.00529	0.00145272	0.0508451	0.05229782	0.209191	1.30745	2.61489	5.22979
1446	0.00528	0.00144872	0.0507054	0.05215412	0.208616	1.30385	2.6077	5.21541
1447	0.00527	0.00144474	0.050566	0.05201074	0.208043	1.30027	2.60054	5.20107
1448	0.00526	0.00144077	0.050427	0.05186777	0.207471	1.29669	2.59339	5.18677
1449	0.00525	0.00143681	0.0502884	0.05172521	0.206901	1.29313	2.58626	5.17252
1450	0.00524	0.00143286	0.0501502	0.05158306	0.206332	1.28958	2.57915	5.15831
1451	0.00523	0.00142893	0.0500124	0.05144133	0.205765	1.28603	2.57207	5.14414
1452	0.00522	0.001425	0.0498751	0.0513001	0.2052	1.2825	2.565	5.13001
1453	0.00521	0.00142109	0.0497381	0.05115919	0.204637	1.27898	2.55796	5.11592
1454	0.0052	0.00141719	0.0496015	0.05101869	0.204075	1.27547	2.55093	5.10187
1455	0.00518	0.00141329	0.0494653	0.05087859	0.203514	1.27196	2.54393	5.08786
1456	0.00518	0.00140941	0.0493295	0.05073891	0.202956	1.26847	2.53695	5.07389
1457	0.00516	0.00140555	0.0491941	0.05059965	0.202399	1.26499	2.52998	5.05996
1458	0.00515	0.00140169	0.0490591	0.05046079	0.201843	1.26152	2.52304	5.04608
1459	0.00514	0.00139784	0.0489245	0.05032234	0.201289	1.25806	2.51612	5.03223
1460	0.00513	0.00139401	0.0487902	0.05018421	0.200737	1.25461	2.50921	5.01842
1461	0.00512	0.00139018	0.0486564	0.05004658	0.200186	1.25116	2.50233	5.00466
1462	0.00511	0.00138637	0.0485229	0.04990927	0.199637	1.24773	2.49547	4.99093
1463	0.0051	0.00138257	0.0483899	0.04977247	0.19909	1.24431	2.48862	4.97724
1464	0.00509	0.00137878	0.0482572	0.04963598	0.198544	1.2409	2.4818	4.9636
1465	0.00508	0.001375	0.0481249	0.0494999	0.198	1.2375	2.47499	4.94999
1466	0.00507	0.00137123	0.047993	0.04936423	0.197457	1.23411	2.46821	4.93642
1467	0.00505	0.00136747	0.0478615	0.04922897	0.196916	1.23072	2.46145	4.92289
1468	0.00505	0.00136372	0.0477303	0.04909402	0.196376	1.22735	2.4547	4.9094
1469	0.00503	0.00135999	0.0475995	0.04895949	0.195838	1.22399	2.44798	4.89595
1470	0.00503	0.00135626	0.0474692	0.04882546	0.195302	1.22064	2.44127	4.88254

1471	0.00501	0.00135255	0.0473391	0.04869165	0.194767	1.21729	2.43458	4.86917
1472	0.005	0.00134884	0.0472095	0.04855834	0.194233	1.21396	2.42792	4.85583
1473	0.00499	0.00134515	0.0470802	0.04842535	0.193702	1.21063	2.42127	4.84254
1474	0.00498	0.00134147	0.0469514	0.04829287	0.193171	1.20732	2.41464	4.82928
1475	0.00497	0.00133378	0.0468228	0.0481606	0.192643	1.20402	2.40803	4.81606
1476	0.00496	0.00133413	0.0466947	0.04802883	0.192115	1.20072	2.40144	4.80288
1477	0.00495	0.00133048	0.0465669	0.04789738	0.19159	1.19744	2.39487	4.78974
1478	0.00494	0.00132684	0.0464395	0.04776634	0.191066	1.19416	2.38832	4.77664
1479	0.00493	0.00132321	0.0463125	0.04763571	0.190543	1.19089	2.38179	4.76357
1480	0.00492	0.0013196	0.0461859	0.0475055	0.190022	1.18764	2.37527	4.75054
1481	0.00491	0.00131599	0.0460596	0.04737559	0.189502	1.18439	2.36878	4.73755
1482	0.0049	0.00131239	0.0459336	0.04724599	0.188984	1.18115	2.3623	4.7246
1483	0.00489	0.0013088	0.0458081	0.0471169	0.188467	1.17792	2.35584	4.71169
1484	0.00488	0.00130522	0.0456829	0.04698812	0.187952	1.1747	2.3494	4.69881
1485	0.00487	0.00130166	0.045558	0.04685966	0.187439	1.17149	2.34298	4.68597
1486	0.00486	0.0012981	0.0454336	0.0467317	0.186927	1.16829	2.33658	4.67317
1487	0.00484	0.00129456	0.0453094	0.04660396	0.186416	1.1651	2.3302	4.6604
1488	0.00484	0.00129102	0.0451857	0.04647672	0.185907	1.16192	2.32384	4.64767
1489	0.00482	0.00128749	0.0450623	0.04634979	0.185399	1.15874	2.31749	4.63498
1490	0.00482	0.00128398	0.0449393	0.04622328	0.184893	1.15558	2.31116	4.62232
1491	0.0048	0.00128047	0.0448166	0.04609707	0.184388	1.15243	2.30485	4.6097
1492	0.0048	0.00127698	0.0446942	0.04597118	0.183885	1.14928	2.29856	4.59712
1493	0.00478	0.00127349	0.0445723	0.04584579	0.183383	1.14614	2.29229	4.58458
1494	0.00477	0.00127002	0.0444506	0.04572062	0.182883	1.14302	2.28603	4.57207
1495	0.00476	0.00126655	0.0443294	0.04559595	0.182384	1.1399	2.2798	4.55959
1496	0.00475	0.0012631	0.0442085	0.0454716	0.181886	1.13679	2.27358	4.54716
1497	0.00474	0.00125965	0.0440879	0.04534755	0.18139	1.13369	2.26738	4.53476
1498	0.00473	0.00125622	0.0439677	0.04522392	0.180896	1.1306	2.2612	4.52239
1499	0.00472	0.00125279	0.0438478	0.04510059	0.180402	1.12752	2.25503	4.51006
1500	0.00471	0.00124938	0.0437283	0.04497768	0.179911	1.12444	2.24888	4.49777
1501	0.0047	0.00124597	0.0436091	0.04485507	0.17942	1.12138	2.24275	4.48551
1502	0.00469	0.00124258	0.0434903	0.04473288	0.178931	1.11832	2.23664	4.47329
1503	0.00468	0.00123919	0.0433718	0.04461099	0.178444	1.11527	2.23055	4.4611
1504	0.00467	0.00123582	0.0432537	0.04448952	0.177958	1.11224	2.22447	4.44895
1505	0.00466	0.00123245	0.0431359	0.04436835	0.177473	1.10921	2.21842	4.43683
1506	0.00465	0.0012291	0.0430184	0.0442475	0.17699	1.10619	2.21237	4.42475
1507	0.00464	0.00122575	0.0429013	0.04412705	0.176508	1.10318	2.20635	4.4127
1508	0.00463	0.00122241	0.0427845	0.04400691	0.176028	1.10017	2.20035	4.40069
1509	0.00462	0.00121909	0.0426681	0.04388719	0.175549	1.09718	2.19436	4.38871
1510	0.00461	0.00121577	0.042552	0.04376777	0.175071	1.09419	2.18839	4.37677
1511	0.0046	0.00121246	0.0424362	0.04364866	0.174595	1.09122	2.18243	4.36486
1512	0.00459	0.00120916	0.0423208	0.04352996	0.17412	1.08825	2.1765	4.35299
1513	0.00458	0.00120588	0.0422057	0.04341158	0.173646	1.08529	2.17058	4.34115
1514	0.00457	0.0012026	0.0420909	0.0432935	0.173174	1.08234	2.16467	4.32935
1515	0.00456	0.00119933	0.0419765	0.04317583	0.172703	1.07939	2.15879	4.31758
1516	0.00455	0.00119607	0.0418624	0.04305847	0.172234	1.07646	2.15292	4.30584
1517	0.00454	0.00119282	0.0417486	0.04294142	0.171766	1.07353	2.14707	4.29414
1518	0.00453	0.00118958	0.0416351	0.04282468	0.171299	1.07062	2.14124	4.28247
1519	0.00452	0.00118634	0.041522	0.04270834	0.170833	1.06771	2.13542	4.27084
1520	0.00451	0.00118312	0.0414092	0.04259232	0.170369	1.06481	2.12962	4.25924
1521	0.0045	0.00117991	0.0412968	0.04247671	0.169907	1.06192	2.12383	4.24767
1522	0.00449	0.0011767	0.0411846	0.0423613	0.169445	1.05903	2.11807	4.23613
1523	0.00448	0.00117351	0.0410728	0.04224631	0.168985	1.05616	2.11232	4.22463
1524	0.00447	0.00117032	0.0409613	0.04213162	0.168527	1.05329	2.10658	4.21317
1525	0.00446	0.00116715	0.0408502	0.04201735	0.168069	1.05043	2.10087	4.20173
1526	0.00445	0.00116398	0.0407393	0.04190328	0.167613	1.04758	2.09517	4.19033
1527	0.00444	0.00116082	0.0406288	0.04178962	0.167159	1.04474	2.08948	4.17896
1528	0.00443	0.00115767	0.0405186	0.04167627	0.166705	1.04191	2.08381	4.16763
1529	0.00442	0.00115454	0.0404087	0.04156324	0.166253	1.03908	2.07816	4.15633
1530	0.00441	0.0011514	0.0402992	0.0414506	0.165802	1.03626	2.07253	4.14506
1531	0.0044	0.00114828	0.0401899	0.04133818	0.165353	1.03345	2.06691	4.13382
1532	0.00439	0.00114517	0.040081	0.04122617	0.164905	1.03065	2.06131	4.12262
1533	0.00438	0.00114207	0.0399724	0.04111447	0.164458	1.02786	2.05572	4.11144
1534	0.00437	0.00113897	0.0398641	0.04100307	0.164012	1.02508	2.05015	4.1003
1535	0.00436	0.00113589	0.0397561	0.04089199	0.163568	1.0223	2.0446	4.0892
1536	0.00435	0.00113281	0.0396484	0.04078121	0.163125	1.01953	2.03906	4.07812
1537	0.00434	0.00112974	0.039541	0.04067074	0.162683	1.01677	2.03354	4.06708
1538	0.00433	0.00112669	0.039434	0.04056069	0.162243	1.01402	2.02803	4.05607
1539	0.00432	0.00112364	0.0393272	0.04045084	0.161803	1.01127	2.02254	4.04509
1540	0.00431	0.00112059	0.0392208	0.04034139	0.161366	1.00853	2.01707	4.03414
1541	0.0043	0.00111756	0.0391147	0.04023226	0.160929	1.00581	2.01161	4.02322
1542	0.00429	0.00111454	0.0390088	0.04012334	0.160494	1.00308	2.00617	4.01234
1543	0.00428	0.00111152	0.0389033	0.04001482	0.160059	1.00037	2.00074	4.00149

1544	0.00427	0.00110852	0.0387981	0.03990662	0.159627	0.997666	1.99533	3.99066
1545	0.00426	0.00110552	0.0386932	0.03979872	0.159195	0.994968	1.98994	3.97987
1546	0.00426	0.00110253	0.0385886	0.03969113	0.158765	0.992279	1.98456	3.96911
1547	0.00424	0.00109955	0.0384843	0.03958385	0.158335	0.989596	1.97919	3.95839
1548	0.00424	0.00109658	0.0383803	0.03947688	0.157908	0.986922	1.97384	3.94769
1549	0.00422	0.00109362	0.0382766	0.03937022	0.157481	0.984256	1.96851	3.93702
1550	0.00422	0.00109066	0.0381732	0.03926386	0.157056	0.981597	1.96319	3.92639
1551	0.0042	0.00108772	0.0380701	0.03915782	0.156631	0.978946	1.95789	3.91578
1552	0.0042	0.00108478	0.0379673	0.03905208	0.156208	0.976302	1.9526	3.90521
1553	0.00418	0.00108185	0.0378648	0.03894665	0.155787	0.973666	1.94733	3.89467
1554	0.00418	0.00107893	0.0377626	0.03884153	0.155366	0.971038	1.94208	3.88415
1555	0.00417	0.00107602	0.0376607	0.03873672	0.154947	0.968418	1.93684	3.87367
1556	0.00416	0.00107312	0.0375591	0.03863222	0.154529	0.965805	1.93161	3.86322
1557	0.00415	0.00107022	0.0374577	0.03852792	0.154112	0.963199	1.9264	3.8528
1558	0.00414	0.00106733	0.0373567	0.03842403	0.153696	0.960601	1.9212	3.8424
1559	0.00413	0.00106446	0.037256	0.03832046	0.153282	0.958011	1.91602	3.83204
1560	0.00412	0.00106159	0.0371555	0.03821709	0.152868	0.955428	1.91086	3.82171
1561	0.00411	0.00105872	0.0370554	0.03811412	0.152456	0.952852	1.9057	3.81141
1562	0.0041	0.00105587	0.0369555	0.03801137	0.152045	0.950284	1.90057	3.80114
1563	0.00409	0.00105303	0.0368559	0.03790893	0.151636	0.947723	1.89545	3.79089
1564	0.00408	0.00105019	0.0367566	0.03780679	0.151227	0.94517	1.89034	3.78068
1565	0.00407	0.00104736	0.0366576	0.03770496	0.15082	0.942624	1.88525	3.7705
1566	0.00406	0.00104454	0.0365589	0.03760344	0.150414	0.940086	1.88017	3.76034
1567	0.00405	0.00104173	0.0364604	0.03750213	0.150009	0.937554	1.87511	3.75022
1568	0.00404	0.00103892	0.0363623	0.03740122	0.149605	0.935031	1.87006	3.74012
1569	0.00403	0.00103613	0.0362644	0.03730053	0.149202	0.932514	1.86503	3.73006
1570	0.00403	0.00103334	0.0361668	0.03720014	0.148801	0.930005	1.86001	3.72002
1571	0.00401	0.00103056	0.0360695	0.03710006	0.1484	0.927502	1.855	3.71001
1572	0.00401	0.00102779	0.0359725	0.03700029	0.148001	0.925008	1.85002	3.70003
1573	0.00399	0.00102502	0.0358758	0.03690082	0.147603	0.92252	1.84504	3.69008
1574	0.00399	0.00102227	0.0357793	0.03680157	0.147206	0.920039	1.84008	3.68016
1575	0.00398	0.00101952	0.0356831	0.03670262	0.146811	0.917566	1.83513	3.67026
1576	0.00397	0.00101678	0.0355872	0.03660398	0.146416	0.9151	1.8302	3.6604
1577	0.00396	0.00101405	0.0354916	0.03650565	0.146023	0.912641	1.82528	3.65056
1578	0.00395	0.00101132	0.0353962	0.03640752	0.14563	0.910189	1.82038	3.64076
1579	0.00394	0.0010086	0.0353011	0.0363097	0.145239	0.907744	1.81549	3.63098
1580	0.00393	0.0010059	0.0352063	0.0362122	0.144849	0.905306	1.81061	3.62122
1581	0.00392	0.00100319	0.0351118	0.03611499	0.14446	0.902875	1.80575	3.6115
1582	0.00391	0.0010005	0.0350176	0.0360181	0.144072	0.900451	1.8009	3.60181
1583	0.0039	0.000997816	0.0349236	0.03592146	0.143686	0.898035	1.79607	3.59214
1584	0.00389	0.000995139	0.0348299	0.035825039	0.1433	0.895625	1.79125	3.5825
1585	0.00388	0.000992469	0.0347364	0.035728869	0.142915	0.893222	1.78644	3.57289
1586	0.00388	0.000989807	0.0346432	0.035633007	0.142532	0.890826	1.78165	3.5633
1587	0.00386	0.000987152	0.0345503	0.035537452	0.14215	0.888437	1.77687	3.55375
1588	0.00386	0.000984505	0.0344577	0.035442205	0.141769	0.886055	1.77211	3.54422
1589	0.00385	0.000981866	0.0343653	0.035347166	0.141389	0.883679	1.76736	3.53472
1590	0.00384	0.000979234	0.0342732	0.035252434	0.141011	0.881311	1.76262	3.52524
1591	0.00383	0.00097661	0.0341814	0.03515801	0.140632	0.878949	1.7579	3.5158
1592	0.00382	0.000973994	0.0340898	0.035063794	0.140255	0.876595	1.75319	3.50638
1593	0.00381	0.000971385	0.0339985	0.034969885	0.139879	0.874246	1.74849	3.49699
1594	0.0038	0.000968784	0.0339074	0.034876184	0.139505	0.871905	1.74381	3.48762
1595	0.00379	0.00096619	0.0338166	0.03478279	0.139131	0.869571	1.73914	3.47828
1596	0.00378	0.000963603	0.0337261	0.034689703	0.138759	0.867243	1.73449	3.46897
1597	0.00377	0.000961024	0.0336359	0.034596924	0.138387	0.864922	1.72984	3.45969
1598	0.00377	0.000958453	0.0335458	0.034504253	0.138017	0.862608	1.72522	3.45043
1599	0.00375	0.000955889	0.0334561	0.034411989	0.137648	0.8603	1.7206	3.4412
1600	0.00375	0.000953332	0.0333666	0.034319932	0.13728	0.857999	1.716	3.432
1601	0.00374	0.000950783	0.0332774	0.034228183	0.136913	0.855704	1.71141	3.42282
1602	0.00373	0.000948241	0.0331884	0.034136641	0.136547	0.853416	1.70683	3.41367
1603	0.00372	0.000945706	0.0330997	0.034045406	0.136182	0.851135	1.70227	3.40454
1604	0.00371	0.000943178	0.0330112	0.033954378	0.135818	0.848861	1.69772	3.39544
1605	0.0037	0.000940658	0.032923	0.033863658	0.135455	0.846592	1.69318	3.38637
1606	0.00369	0.000938145	0.0328351	0.033773245	0.135093	0.844331	1.68866	3.37732
1607	0.00368	0.00093564	0.0327474	0.03368304	0.134732	0.842076	1.68415	3.3683
1608	0.00367	0.000933141	0.0326599	0.033593041	0.134372	0.839827	1.67965	3.35931
1609	0.00366	0.00093065	0.0325728	0.03350345	0.134014	0.837585	1.67517	3.35034
1610	0.00366	0.000928166	0.0324858	0.033413966	0.133656	0.83535	1.6707	3.3414
1611	0.00364	0.000925689	0.0323991	0.033324789	0.133299	0.83312	1.66624	3.33248
1612	0.00364	0.000923219	0.0323127	0.033235919	0.132944	0.830898	1.6618	3.32359
1613	0.00363	0.000920757	0.0322265	0.033147257	0.132589	0.828681	1.65736	3.31472
1614	0.00362	0.000918301	0.0321405	0.033058801	0.132235	0.826471	1.65294	3.30588
1615	0.00361	0.000915853	0.0320548	0.032970653	0.131883	0.824267	1.64853	3.29707
1616	0.0036	0.000913411	0.0319694	0.032882811	0.131531	0.82207	1.64414	3.28828

1617	0.00359	0.000910977	0.0318842	0.032795177	0.131181	0.819879	1.63976	3.27952
1618	0.00359	0.000908549	0.0317992	0.032707749	0.130831	0.817694	1.63539	3.27078
1619	0.00357	0.000906129	0.0317145	0.032620629	0.130483	0.815516	1.63103	3.26206
1620	0.00357	0.000903715	0.031663	0.032533715	0.130135	0.813344	1.62669	3.25338
1621	0.00356	0.000901309	0.0315458	0.032447109	0.129788	0.811178	1.62236	3.24471
1622	0.00355	0.000898909	0.0314618	0.032360709	0.129443	0.809018	1.61804	3.23607
1623	0.00354	0.000896516	0.0313781	0.032274616	0.129098	0.806865	1.61373	3.22746
1624	0.00353	0.000894131	0.0312946	0.032188731	0.128755	0.804718	1.60944	3.21887
1625	0.00352	0.000891752	0.0312113	0.032103052	0.128412	0.802576	1.60515	3.21031
1626	0.00351	0.000889379	0.0311283	0.032017679	0.128071	0.800442	1.60088	3.20177
1627	0.0035	0.000887014	0.0310455	0.031932514	0.12773	0.798313	1.59663	3.19325
1628	0.0035	0.000884656	0.0309629	0.031847556	0.12739	0.79619	1.59238	3.18476
1629	0.00348	0.000882304	0.0308806	0.031762904	0.127052	0.794073	1.58815	3.17629
1630	0.00348	0.000879959	0.0307986	0.031678559	0.126714	0.791963	1.58393	3.16785
1631	0.00347	0.00087762	0.0307167	0.03159432	0.126377	0.789858	1.57972	3.15943
1632	0.00346	0.000875289	0.0306351	0.031510389	0.126042	0.78776	1.57552	3.15104
1633	0.00345	0.000872964	0.0305537	0.031426664	0.125707	0.785668	1.57134	3.14267
1634	0.00344	0.000870646	0.0304726	0.031343246	0.125373	0.783581	1.56716	3.13433
1635	0.00343	0.000868334	0.0303917	0.031260034	0.12504	0.781501	1.563	3.126
1636	0.00343	0.00086603	0.030311	0.03117703	0.124708	0.779427	1.55885	3.11771
1637	0.00341	0.000863731	0.0302306	0.031094331	0.124377	0.777358	1.55472	3.10943
1638	0.00341	0.00086144	0.0301504	0.03101184	0.124047	0.775296	1.55059	3.10118
1639	0.0034	0.000859155	0.0300704	0.030929555	0.123718	0.773239	1.54648	3.09296
1640	0.00339	0.000856876	0.0299907	0.030847576	0.12339	0.771188	1.54238	3.08475
1641	0.00338	0.000854604	0.0299111	0.030765704	0.123063	0.769144	1.53829	3.07657
1642	0.00337	0.000852339	0.0298319	0.030684239	0.122737	0.767105	1.53421	3.06842
1643	0.00336	0.00085008	0.0297528	0.03060288	0.122411	0.765072	1.53014	3.06029
1644	0.00336	0.000847827	0.029674	0.030521827	0.122087	0.763044	1.52609	3.05218
1645	0.00334	0.000845581	0.0295953	0.030440881	0.121764	0.761023	1.52205	3.04409
1646	0.00334	0.000843342	0.029517	0.030360342	0.121441	0.759007	1.51801	3.03603
1647	0.00333	0.000841108	0.0294388	0.030279908	0.12112	0.756998	1.514	3.02799
1648	0.00332	0.000838882	0.0293609	0.030199782	0.120799	0.754994	1.50999	3.01997
1649	0.00331	0.000836661	0.0292831	0.030119761	0.120479	0.752995	1.50599	3.01198
1650	0.0033	0.000834447	0.0292057	0.030040147	0.12016	0.751003	1.50201	3.00401
1651	0.00329	0.00083224	0.0291284	0.02996064	0.119843	0.749016	1.49803	2.99606
1652	0.00329	0.000830038	0.0290513	0.029881338	0.119526	0.747035	1.49407	2.98814
1653	0.00327	0.000827843	0.0289745	0.029802343	0.119209	0.745059	1.49012	2.98024
1654	0.00327	0.000825655	0.0288979	0.029723555	0.118894	0.743089	1.48618	2.97236
1655	0.00326	0.000823472	0.0288215	0.029644972	0.11858	0.741125	1.48225	2.9645
1656	0.00325	0.000821296	0.0287454	0.029566696	0.118267	0.739167	1.47833	2.95667
1657	0.00324	0.000819126	0.0286694	0.029488526	0.117954	0.737214	1.47443	2.94885
1658	0.00323	0.000816963	0.0285937	0.029410663	0.117643	0.735266	1.47053	2.94107
1659	0.00322	0.000814805	0.0285182	0.029333005	0.117332	0.733324	1.46665	2.9333
1660	0.00322	0.000812654	0.0284429	0.029255554	0.117022	0.731388	1.46278	2.92555
1661	0.00321	0.000810508	0.0283678	0.029178308	0.116713	0.729458	1.45892	2.91783
1662	0.0032	0.000808369	0.0282929	0.029101269	0.116405	0.727533	1.45507	2.91013
1663	0.00319	0.000806237	0.0282183	0.029024537	0.116098	0.725613	1.45123	2.90245
1664	0.00318	0.00080411	0.0281438	0.02894791	0.115792	0.723699	1.4474	2.8948
1665	0.00317	0.000801989	0.0280696	0.028871589	0.115486	0.72179	1.44358	2.88716
1666	0.00317	0.000799874	0.0279956	0.028795474	0.115182	0.719887	1.43977	2.87955
1667	0.00315	0.000797766	0.0279218	0.028719566	0.114878	0.717989	1.43598	2.87196
1668	0.00315	0.000795663	0.0278482	0.028643863	0.114576	0.716097	1.43219	2.86439
1669	0.00314	0.000793567	0.0277748	0.028568367	0.114274	0.71421	1.42842	2.85684
1670	0.00313	0.000791476	0.0277017	0.028493176	0.113973	0.712329	1.42466	2.84931
1671	0.00312	0.000789392	0.0276287	0.028418092	0.113672	0.710453	1.42091	2.84181
1672	0.00312	0.000787313	0.027556	0.028343313	0.113373	0.708582	1.41716	2.83433
1673	0.0031	0.00078524	0.0274834	0.02826864	0.113075	0.706716	1.41343	2.82687
1674	0.0031	0.000783174	0.0274111	0.028194274	0.112777	0.704856	1.40971	2.81943
1675	0.00309	0.000781113	0.027339	0.028120113	0.11248	0.703002	1.406	2.81201
1676	0.00308	0.000779058	0.027267	0.028046058	0.112184	0.701152	1.4023	2.80461
1677	0.00307	0.000777009	0.0271953	0.027972309	0.111889	0.699308	1.39862	2.79723
1678	0.00306	0.000774966	0.0271238	0.027898766	0.111595	0.697469	1.39494	2.78988
1679	0.00305	0.000772929	0.0270525	0.027825429	0.111302	0.695636	1.39127	2.78254
1680	0.00305	0.000770897	0.0269814	0.027752297	0.111009	0.693807	1.38761	2.77523
1681	0.00304	0.000768871	0.0269105	0.027679371	0.110717	0.691984	1.38397	2.76794
1682	0.00303	0.000766851	0.0268398	0.027606651	0.110427	0.690166	1.38033	2.76067
1683	0.00302	0.000764837	0.0267693	0.027534137	0.110137	0.688354	1.37671	2.75341
1684	0.00301	0.000762829	0.026699	0.027461829	0.109847	0.686546	1.37309	2.74618
1685	0.003	0.000760826	0.0266289	0.027389726	0.109559	0.684744	1.36949	2.73897
1686	0.003	0.000758829	0.026559	0.027317829	0.109271	0.682946	1.36589	2.73179
1687	0.00299	0.000756838	0.0264893	0.027246138	0.108985	0.681154	1.36231	2.72462
1688	0.00298	0.000754853	0.0264198	0.027174653	0.108699	0.679367	1.35873	2.71747
1689	0.00297	0.000752873	0.0263505	0.027103373	0.108414	0.677585	1.35517	2.71034

1690	0.00296	0.000750898	0.0262814	0.027032298	0.108129	0.675809	1.35162	2.70323
1691	0.00295	0.00074893	0.0262125	0.02696143	0.107846	0.674037	1.34807	2.69615
1692	0.00295	0.000746967	0.0261438	0.026890767	0.107563	0.67227	1.34454	2.68908
1693	0.00294	0.00074501	0.0260753	0.02682031	0.107281	0.670509	1.34102	2.68203
1694	0.00293	0.000743058	0.026007	0.026750058	0.107	0.668752	1.3375	2.67501
1695	0.00292	0.000741112	0.0259389	0.026680012	0.10672	0.667	1.334	2.668
1696	0.00291	0.000739171	0.025871	0.026610171	0.106441	0.665254	1.33051	2.66102
1697	0.0029	0.000737236	0.0258033	0.026540536	0.106162	0.663512	1.32702	2.65405
1698	0.0029	0.000735306	0.0257357	0.026471006	0.105884	0.661776	1.32355	2.6471
1699	0.00289	0.000733382	0.0256684	0.026401782	0.105607	0.660044	1.32009	2.64018
1700	0.00288	0.000731464	0.0256012	0.026332664	0.105331	0.658317	1.31663	2.63327
1701	0.00287	0.00072955	0.0255343	0.02626385	0.105055	0.656595	1.31319	2.62638
1702	0.00287	0.000727643	0.0254675	0.026195143	0.104781	0.654878	1.30976	2.61951
1703	0.00285	0.00072574	0.0254009	0.02612664	0.104507	0.653166	1.30633	2.61267
1704	0.00285	0.000723844	0.0253345	0.026058344	0.104233	0.651459	1.30292	2.60584
1705	0.00284	0.000721952	0.0252683	0.025990252	0.103961	0.649757	1.29951	2.59903
1706	0.00283	0.000720066	0.0252023	0.025922366	0.10369	0.64806	1.29612	2.59224
1707	0.00282	0.000718185	0.0251365	0.025854685	0.103419	0.646367	1.29273	2.58547
1708	0.00282	0.00071631	0.0250709	0.02578721	0.103149	0.644679	1.28936	2.57872
1709	0.0028	0.00071444	0.0250054	0.02571984	0.102879	0.642996	1.28599	2.57198
1710	0.0028	0.000712576	0.0249401	0.025652676	0.102611	0.641318	1.28264	2.56527
1711	0.00279	0.000710716	0.0248751	0.025585816	0.102343	0.639645	1.27929	2.55858
1712	0.00278	0.000708862	0.0248102	0.025519062	0.102076	0.637976	1.27595	2.5519
1713	0.00277	0.000707013	0.0247455	0.025452513	0.10181	0.636312	1.27262	2.54525
1714	0.00277	0.00070517	0.0246809	0.02538607	0.101544	0.634653	1.26931	2.53861
1715	0.00276	0.000703332	0.0246166	0.025319932	0.10128	0.632998	1.266	2.53199
1716	0.00275	0.000701499	0.0245525	0.025253999	0.101016	0.631349	1.2627	2.5254
1717	0.00274	0.000699671	0.0244885	0.025188171	0.100753	0.629704	1.25941	2.51881
1718	0.00273	0.000697848	0.0244247	0.025122548	0.10049	0.628063	1.25613	2.51225
1719	0.00272	0.000696031	0.0243611	0.025057131	0.100228	0.626428	1.25286	2.50571
1720	0.00272	0.000694219	0.0242977	0.024991919	0.0999675	0.624797	1.24959	2.49919
1721	0.00271	0.000692411	0.0242344	0.024926811	0.0997072	0.62317	1.24634	2.49268
1722	0.0027	0.00069061	0.0241713	0.02486191	0.0994478	0.621549	1.2431	2.48619
1723	0.00269	0.000688813	0.0241084	0.024797213	0.099189	0.619931	1.23986	2.47973
1724	0.00269	0.000687021	0.0240457	0.024732721	0.098931	0.618319	1.23664	2.47328
1725	0.00267	0.000685234	0.0239832	0.024668434	0.0986737	0.616711	1.23342	2.46684
1726	0.00267	0.000683453	0.0239208	0.024604253	0.0984172	0.615108	1.23022	2.46043
1727	0.00266	0.000681676	0.0238587	0.024540376	0.0981614	0.613509	1.22702	2.45403
1728	0.00265	0.000679905	0.0237967	0.024476605	0.0979063	0.611914	1.22383	2.44766
1729	0.00264	0.000678138	0.0237348	0.024412938	0.0976519	0.610325	1.22065	2.4413
1730	0.00264	0.000676377	0.0236732	0.024349577	0.0973983	0.608739	1.21748	2.43496
1731	0.00263	0.000674621	0.0236117	0.024286321	0.0971454	0.607158	1.21432	2.42863
1732	0.00262	0.000672869	0.0235504	0.024223269	0.0968932	0.605582	1.21116	2.42233
1733	0.00261	0.000671123	0.0234893	0.024160423	0.0966417	0.60401	1.20802	2.41604
1734	0.00261	0.000669381	0.0234283	0.024097681	0.0963909	0.602443	1.20489	2.40977
1735	0.00259	0.000667645	0.0233676	0.024035245	0.0961408	0.60088	1.20176	2.40352
1736	0.00259	0.000665913	0.023307	0.023972913	0.0958915	0.599322	1.19864	2.39729
1737	0.00258	0.000664186	0.0232465	0.023910686	0.0956428	0.597768	1.19554	2.39107
1738	0.00257	0.000662465	0.0231863	0.023848765	0.0953949	0.596218	1.19244	2.38487
1739	0.00256	0.000660748	0.0231262	0.023786948	0.0951477	0.594673	1.18935	2.37869
1740	0.00256	0.000659036	0.0230662	0.023725236	0.0949011	0.593132	1.18626	2.37253
1741	0.00255	0.000657328	0.0230065	0.023663828	0.0946553	0.591596	1.18319	2.36638
1742	0.00254	0.000655626	0.0229469	0.023602526	0.0944102	0.590063	1.18013	2.36025
1743	0.00253	0.000653928	0.0228875	0.023541428	0.0941657	0.588536	1.17707	2.35414
1744	0.00253	0.000652236	0.0228283	0.023480536	0.093922	0.587012	1.17402	2.34805
1745	0.00251	0.000650548	0.0227692	0.023419748	0.0936789	0.585493	1.17099	2.34197
1746	0.00251	0.000648865	0.0227103	0.023359165	0.0934365	0.583978	1.16796	2.33591
1747	0.0025	0.000647186	0.0226515	0.023298686	0.0931948	0.582468	1.16494	2.32987
1748	0.00249	0.000645513	0.0225929	0.023238413	0.0929538	0.580962	1.16192	2.32385
1749	0.00248	0.000643844	0.0225345	0.023178344	0.0927135	0.579459	1.15892	2.31784
1750	0.00248	0.00064218	0.0224763	0.02311848	0.0924739	0.577962	1.15592	2.31185
1751	0.00247	0.00064052	0.0224182	0.02305872	0.0922349	0.576468	1.15294	2.30587
1752	0.00246	0.000638866	0.0223603	0.022999166	0.0919966	0.574979	1.14996	2.29992
1753	0.00245	0.000637216	0.0223025	0.022939716	0.091759	0.573494	1.14699	2.29398
1754	0.00245	0.00063557	0.0222445	0.02288057	0.0915221	0.572013	1.14403	2.28805
1755	0.00244	0.000633929	0.0221875	0.022821429	0.0912858	0.570536	1.14107	2.28215
1756	0.00243	0.000632293	0.0221303	0.022762593	0.0910502	0.569064	1.13813	2.27626
1757	0.00242	0.000630662	0.0220732	0.022703862	0.0908153	0.567596	1.13519	2.27038
1758	0.00242	0.000629035	0.0220162	0.022645235	0.090581	0.566132	1.13226	2.26453
1759	0.0024	0.000627413	0.0219594	0.022586813	0.0903474	0.564672	1.12934	2.25869
1760	0.0024	0.000625795	0.0219028	0.022528595	0.0901145	0.563216	1.12643	2.25286
1761	0.00239	0.000624182	0.0218464	0.022470582	0.0898822	0.561764	1.12353	2.24706
1762	0.00238	0.000622574	0.0217901	0.022412674	0.0896506	0.560316	1.12063	2.24126

1763	0.00237	0.00062097	0.0217339	0.02235487	0.0894196	0.558873	1.11775	2.23549
1764	0.00237	0.00061937	0.021678	0.02229737	0.0891893	0.557433	1.11487	2.22973
1765	0.00236	0.000617775	0.0216221	0.022239875	0.0889596	0.555998	1.112	2.22399
1766	0.00235	0.000616185	0.0215665	0.022182685	0.0887306	0.554566	1.10913	2.21827
1767	0.00234	0.000614599	0.021511	0.022125599	0.0885022	0.553139	1.10628	2.21256
1768	0.00234	0.000613017	0.0214556	0.022068617	0.0882745	0.551716	1.10343	2.20686
1769	0.00232	0.00061144	0.0214004	0.02201184	0.0880474	0.550296	1.10059	2.20119
1770	0.00232	0.000609868	0.0213454	0.021955268	0.087821	0.548881	1.09776	2.19552
1771	0.00231	0.0006083	0.0212905	0.0218988	0.0875952	0.54747	1.09494	2.18988
1772	0.00231	0.000606736	0.0212358	0.021842536	0.08737	0.546063	1.09213	2.18425
1773	0.00229	0.000605177	0.0211812	0.021786377	0.0871455	0.544659	1.08932	2.17864
1774	0.00229	0.000603622	0.0211268	0.021730422	0.0869216	0.54326	1.08652	2.17304
1775	0.00228	0.000602072	0.0210725	0.021674572	0.0866983	0.541865	1.08373	2.16746
1776	0.00227	0.000600526	0.0210184	0.021618926	0.0864757	0.540473	1.08095	2.16189
1777	0.00226	0.000598984	0.0209644	0.021563384	0.0862537	0.539085	1.07817	2.15634
1778	0.00226	0.000597447	0.0209106	0.021508047	0.0860323	0.537702	1.0754	2.15081
1779	0.00225	0.000595913	0.020857	0.021452913	0.0858115	0.536322	1.07264	2.14529
1780	0.00224	0.000594385	0.0208035	0.021397885	0.0855914	0.534946	1.06989	2.13979
1781	0.00223	0.00059286	0.0207501	0.02134296	0.0853719	0.533574	1.06715	2.1343
1782	0.00223	0.00059134	0.0206969	0.02128824	0.085153	0.532206	1.06441	2.12882
1783	0.00222	0.000589824	0.0206439	0.021233724	0.0849347	0.530842	1.06168	2.12337
1784	0.00221	0.000588313	0.020591	0.021179313	0.0847171	0.529482	1.05896	2.11793
1785	0.0022	0.000586806	0.0205382	0.021125006	0.0845	0.528125	1.05625	2.1125
1786	0.0022	0.000585303	0.0204856	0.021070903	0.0842836	0.526772	1.05354	2.10709
1787	0.00218	0.000583804	0.0204331	0.021016904	0.0840677	0.525423	1.05085	2.10169
1788	0.00218	0.000582309	0.0203808	0.020963109	0.0838525	0.524078	1.04816	2.09631
1789	0.00217	0.000580819	0.0203287	0.020909519	0.0836379	0.522737	1.04547	2.09095
1790	0.00217	0.000579333	0.0202766	0.020855933	0.0834239	0.521399	1.0428	2.0856
1791	0.00215	0.00057785	0.0202248	0.02080265	0.0832105	0.520065	1.04013	2.08026
1792	0.00215	0.000576373	0.020173	0.020749373	0.0829977	0.518735	1.03747	2.07494
1793	0.00214	0.000574899	0.0201215	0.020696399	0.0827854	0.517409	1.03482	2.06964
1794	0.00213	0.000573429	0.02007	0.020643429	0.0825738	0.516086	1.03217	2.06435
1795	0.00212	0.000571964	0.0200187	0.020590664	0.0823628	0.514768	1.02954	2.05907
1796	0.00212	0.000570503	0.0199676	0.020538103	0.0821524	0.513452	1.0269	2.05381
1797	0.00211	0.000569046	0.0199166	0.020485646	0.0819426	0.512141	1.02428	2.04856
1798	0.0021	0.000567592	0.0198657	0.020433292	0.0817333	0.510833	1.02167	2.04333
1799	0.00209	0.000566143	0.019815	0.020381143	0.0815247	0.509529	1.01906	2.03812
1800	0.00209	0.000564699	0.0197644	0.020329099	0.0813166	0.508229	1.01646	2.03291
1801	0.00208	0.000563258	0.019714	0.020277258	0.0811091	0.506932	1.01386	2.02773
1802	0.00207	0.000561821	0.0196637	0.020225521	0.0809022	0.505639	1.01128	2.02256
1803	0.00206	0.000560388	0.0196136	0.020173988	0.0806959	0.504349	1.0087	2.0174
1804	0.00206	0.000558959	0.0195636	0.020122559	0.0804901	0.503063	1.00613	2.01225
1805	0.00205	0.000557535	0.0195137	0.020071235	0.080285	0.501781	1.00356	2.00712
1806	0.00204	0.000556114	0.019464	0.020020114	0.0800804	0.500502	1.001	2.00201
1807	0.00203	0.000554697	0.0194144	0.019969097	0.0798764	0.499227	0.998455	1.99691
1808	0.00203	0.000553284	0.0193649	0.019918184	0.0796729	0.497956	0.995912	1.99182
1809	0.00201	0.000551875	0.0193156	0.019867475	0.0794701	0.496688	0.993376	1.98675
1810	0.00201	0.000550471	0.0192665	0.019816971	0.0792678	0.495424	0.990847	1.98169
1811	0.002	0.00054907	0.0192174	0.01976647	0.079066	0.494163	0.988325	1.97665
1812	0.002	0.000547673	0.0191685	0.019716173	0.0788649	0.492905	0.985811	1.97162
1813	0.00198	0.00054628	0.0191198	0.01966608	0.0786643	0.491652	0.983303	1.96661
1814	0.00198	0.00054489	0.0190712	0.01961609	0.0784642	0.490401	0.980803	1.96161
1815	0.00197	0.000543505	0.0190227	0.019566205	0.0782647	0.489155	0.978309	1.95662
1816	0.00197	0.000542124	0.0189743	0.019516424	0.0780658	0.487911	0.975823	1.95165
1817	0.00195	0.000540746	0.0189261	0.019466846	0.0778674	0.486672	0.973343	1.94669
1818	0.00195	0.000539373	0.018878	0.019417373	0.0776696	0.485435	0.970871	1.94174
1819	0.00194	0.000538003	0.0188301	0.019368103	0.0774724	0.484202	0.968405	1.93681
1820	0.00193	0.000536637	0.0187823	0.019318937	0.0772757	0.482973	0.965946	1.93189
1821	0.00192	0.000535275	0.0187346	0.019269875	0.0770795	0.481747	0.963494	1.92699
1822	0.00192	0.000533916	0.0186871	0.019221016	0.0768839	0.480525	0.961049	1.9221
1823	0.00191	0.000532562	0.0186397	0.019172262	0.0766889	0.479305	0.958611	1.91722
1824	0.0019	0.000531211	0.0185924	0.019123611	0.0764944	0.47809	0.95618	1.91236
1825	0.00189	0.000529864	0.0185452	0.019075064	0.0763004	0.476878	0.953755	1.90751
1826	0.00189	0.000528521	0.0184982	0.019026721	0.076107	0.475669	0.951337	1.90267
1827	0.00188	0.000527181	0.0184513	0.018978481	0.0759141	0.474463	0.948926	1.89785
1828	0.00187	0.000525846	0.0184046	0.018930446	0.0757218	0.473261	0.946522	1.89304
1829	0.00186	0.000524514	0.018358	0.018882514	0.07553	0.472062	0.944124	1.88825
1830	0.00186	0.000523185	0.0183115	0.018834685	0.0753387	0.470867	0.941734	1.88347
1831	0.00185	0.000521861	0.0182651	0.018786961	0.075148	0.469675	0.93935	1.8787
1832	0.00184	0.00052054	0.0182189	0.01873944	0.0749578	0.468486	0.936972	1.87394
1833	0.00183	0.000519223	0.0181728	0.018692023	0.0747681	0.467301	0.934601	1.8692
1834	0.00183	0.000517909	0.0181268	0.018644709	0.074579	0.466119	0.932237	1.86447
1835	0.00182	0.0005166	0.018081	0.0185976	0.0743903	0.46494	0.929879	1.85976

1836	0.00181	0.000515294	0.0180353	0.018550594	0.0742023	0.463764	0.927528	1.85506
1837	0.0018	0.000513991	0.0179897	0.018503691	0.0740147	0.462592	0.925184	1.85037
1838	0.0018	0.000512692	0.0179442	0.018456892	0.0738277	0.461423	0.922846	1.84569
1839	0.00178	0.000511397	0.0178989	0.018410297	0.0736412	0.460257	0.920515	1.84103
1840	0.00178	0.000510105	0.0178537	0.018363805	0.0734552	0.459095	0.91819	1.83638
1841	0.00177	0.000508817	0.0178086	0.018317417	0.0732697	0.457936	0.915871	1.83174
1842	0.00177	0.000507533	0.0177637	0.018271233	0.0730848	0.45678	0.913559	1.82712
1843	0.00175	0.000506252	0.0177188	0.018225052	0.0729003	0.455627	0.911254	1.82251
1844	0.00175	0.000504975	0.0176741	0.018179075	0.0727164	0.454477	0.908955	1.81791
1845	0.00174	0.000503701	0.0176295	0.018133201	0.072533	0.453331	0.906662	1.81332
1846	0.00174	0.000502431	0.0175851	0.018087531	0.0723501	0.452188	0.904376	1.80875
1847	0.00172	0.000501165	0.0175408	0.018041965	0.0721677	0.451048	0.902096	1.80419
1848	0.00172	0.000499902	0.0174966	0.017996502	0.0719858	0.449911	0.899823	1.79965
1849	0.00171	0.000498642	0.0174525	0.017951142	0.0718044	0.448778	0.897555	1.79511
1850	0.0017	0.000497386	0.0174085	0.017905886	0.0716236	0.447647	0.895295	1.79059
1851	0.00169	0.000496133	0.0173647	0.017860833	0.0714432	0.446512	0.893034	1.78608
1852	0.00169	0.000494884	0.017321	0.017815884	0.0712633	0.445396	0.890792	1.78158
1853	0.00168	0.000493639	0.0172774	0.017771039	0.071084	0.444275	0.88855	1.7771
1854	0.00167	0.000492397	0.0172339	0.017726297	0.0709051	0.443157	0.886314	1.77263
1855	0.00166	0.000491158	0.0171905	0.017681658	0.0707268	0.442042	0.884084	1.76817
1856	0.00166	0.000489923	0.0171473	0.017637223	0.0705489	0.440931	0.881861	1.76372
1857	0.00165	0.000488691	0.0171042	0.017592891	0.0703715	0.439822	0.879644	1.75929
1858	0.00164	0.000487463	0.0170612	0.017548663	0.0701946	0.438716	0.877433	1.75487
1859	0.00163	0.000486238	0.0170183	0.017504538	0.0700182	0.437614	0.875228	1.75046
1860	0.00163	0.000485016	0.0169756	0.017460616	0.0698424	0.436515	0.873029	1.74606
1861	0.00161	0.000483798	0.0169329	0.017416698	0.0696669	0.435418	0.870837	1.74167
1862	0.00161	0.000482584	0.0168904	0.017372984	0.069492	0.434325	0.86865	1.7373
1863	0.0016	0.000481372	0.016848	0.017329372	0.0693176	0.433235	0.86647	1.73294
1864	0.0016	0.000480164	0.0168057	0.017285864	0.0691436	0.432148	0.864296	1.72859
1865	0.00158	0.000478959	0.0167636	0.017242559	0.0689702	0.431064	0.862127	1.72425
1866	0.00158	0.000477758	0.0167215	0.017199258	0.0687972	0.429982	0.859965	1.71993
1867	0.00157	0.00047656	0.0166796	0.01715616	0.0686247	0.428904	0.857809	1.71562
1868	0.00157	0.000475366	0.0166378	0.017113166	0.0684527	0.427829	0.855658	1.71132
1869	0.00155	0.000474174	0.0165961	0.017070274	0.0682811	0.426757	0.853514	1.70703
1870	0.00155	0.000472986	0.0165545	0.017027486	0.06811	0.425688	0.851376	1.70275
1871	0.00154	0.000471802	0.0165131	0.016984902	0.0679394	0.424622	0.849243	1.69849
1872	0.00153	0.00047062	0.0164717	0.01694232	0.0677693	0.423558	0.847117	1.69423
1873	0.00152	0.000469442	0.0164305	0.016899942	0.0675997	0.422498	0.844996	1.68999
1874	0.00152	0.000468267	0.0163894	0.016857667	0.0674305	0.421441	0.842881	1.68576
1875	0.00151	0.000467096	0.0163483	0.016815396	0.0672618	0.420386	0.840772	1.68154
1876	0.0015	0.000465927	0.0163075	0.016773427	0.0670935	0.419335	0.838669	1.67734
1877	0.00149	0.000464762	0.0162667	0.016731462	0.0669258	0.418286	0.836572	1.67314
1878	0.00149	0.0004636	0.016226	0.0166896	0.0667585	0.41724	0.834481	1.66896
1879	0.00147	0.000462442	0.0161855	0.016647942	0.0665916	0.416197	0.832395	1.66479
1880	0.00147	0.000461286	0.0161445	0.016606286	0.0664252	0.415158	0.830315	1.66063
1881	0.00146	0.000460134	0.0161047	0.016564834	0.0662593	0.414121	0.828241	1.65648
1882	0.00146	0.000458985	0.0160645	0.016523485	0.0660938	0.413086	0.826173	1.65235
1883	0.00144	0.000457839	0.0160244	0.016482239	0.0659288	0.412055	0.82411	1.64822
1884	0.00144	0.000456696	0.0159844	0.016441096	0.0657643	0.411027	0.822053	1.64411
1885	0.00143	0.000455557	0.0159445	0.016400057	0.0656002	0.410001	0.820002	1.64
1886	0.00142	0.00045442	0.0159047	0.01635912	0.0654365	0.408978	0.817957	1.63591
1887	0.00141	0.000453287	0.015865	0.016318287	0.0652733	0.407958	0.815917	1.63183
1888	0.00141	0.000452157	0.0158255	0.016277657	0.0651106	0.406941	0.813883	1.62777
1889	0.0014	0.00045103	0.0157861	0.01623713	0.0649483	0.405927	0.811854	1.62371
1890	0.00139	0.000449906	0.0157467	0.016196606	0.0647865	0.404916	0.809831	1.61966
1891	0.00138	0.000448785	0.0157075	0.016156285	0.0646251	0.403907	0.807814	1.61563
1892	0.00138	0.000447668	0.0156684	0.016116068	0.0644642	0.402901	0.805802	1.6116
1893	0.00136	0.000446553	0.0156294	0.016075953	0.0643037	0.401898	0.803796	1.60759
1894	0.00136	0.000445442	0.0155905	0.016035942	0.0641436	0.400898	0.801795	1.60359
1895	0.00135	0.000444333	0.0155517	0.015996033	0.063984	0.3999	0.7998	1.5996
1896	0.00135	0.000443228	0.015513	0.015956228	0.0638248	0.398905	0.79781	1.59562
1897	0.00133	0.000442126	0.0154744	0.015916526	0.0636661	0.397913	0.795826	1.59165
1898	0.00133	0.000441026	0.0154359	0.015876926	0.0635078	0.396924	0.793847	1.58769
1899	0.00132	0.00043993	0.0153976	0.01583753	0.0633499	0.395937	0.791874	1.58375
1900	0.00131	0.000438837	0.0153593	0.015798137	0.0631925	0.394953	0.789906	1.57981
1901	0.0013	0.000437747	0.0153211	0.015758847	0.0630355	0.393972	0.787944	1.57589
1902	0.0013	0.00043666	0.0152831	0.01571976	0.062879	0.392994	0.785987	1.57197
1903	0.00128	0.000435575	0.0152451	0.015680675	0.0627229	0.392018	0.784036	1.56807
1904	0.00128	0.000434494	0.0152073	0.015641794	0.0625672	0.391045	0.78209	1.56418
1905	0.00127	0.000433416	0.0151696	0.015603016	0.0624119	0.390074	0.780149	1.5603
1906	0.00126	0.000432341	0.0151319	0.015564241	0.0622571	0.389107	0.778213	1.55643
1907	0.00125	0.000431268	0.0150944	0.015525668	0.0621027	0.388142	0.776283	1.55257
1908	0.00125	0.000430199	0.0150567	0.015487199	0.0619487	0.387179	0.774359	1.54872

1909	0.00123	0.000429133	0.0150196	0.015448733	0.0617951	0.386219	0.772439	1.54488
1910	0.00123	0.000428069	0.0149824	0.015410469	0.061642	0.385262	0.770525	1.54105
1911	0.00122	0.000427009	0.0149453	0.015372309	0.0614893	0.384308	0.768616	1.53723
1912	0.00122	0.000425951	0.0149083	0.015334251	0.061337	0.383356	0.766712	1.53342
1913	0.0012	0.000424897	0.0148714	0.015296297	0.0611851	0.382407	0.764814	1.52963
1914	0.0012	0.000423845	0.0148346	0.015258445	0.0610337	0.38146	0.762921	1.52584
1915	0.00118	0.000422796	0.0147979	0.015220696	0.0608826	0.380516	0.761033	1.52207
1916	0.00118	0.00042175	0.0147613	0.01518305	0.060732	0.379575	0.75915	1.5183
1917	0.00117	0.000420707	0.0147247	0.015145407	0.0605818	0.378636	0.757272	1.51454
1918	0.00117	0.000419667	0.0146883	0.015107967	0.060432	0.3777	0.7554	1.5108
1919	0.00115	0.000418629	0.014652	0.015070629	0.0602826	0.376766	0.753533	1.50707
1920	0.00115	0.000417595	0.0146158	0.015033395	0.0601336	0.375835	0.751671	1.50334
1921	0.00113	0.000416563	0.0145797	0.014996263	0.0599851	0.374907	0.749813	1.49963
1922	0.00113	0.000415534	0.0145437	0.014959234	0.0598369	0.373981	0.747962	1.49592
1923	0.00112	0.000414508	0.0145078	0.014922308	0.0596892	0.373057	0.746115	1.49223
1924	0.00111	0.000413485	0.014472	0.014885485	0.0595418	0.372137	0.744273	1.48855
1925	0.0011	0.000412465	0.0144363	0.014848765	0.0593949	0.371218	0.742436	1.48487
1926	0.0011	0.000411447	0.0144006	0.014812047	0.0592484	0.370302	0.740605	1.48121
1927	0.00108	0.000410432	0.0143651	0.014775532	0.0591022	0.369389	0.738778	1.47756
1928	0.00108	0.00040942	0.0143297	0.01473912	0.0589565	0.368478	0.736956	1.47391
1929	0.00106	0.000408411	0.0142944	0.014702811	0.0588112	0.36757	0.73514	1.47028
1930	0.00106	0.000407405	0.0142592	0.014666605	0.0586663	0.366664	0.733328	1.46666
1931	0.00105	0.000406401	0.014224	0.014630401	0.0585217	0.365761	0.731521	1.46304
1932	0.00105	0.0004054	0.014189	0.0145944	0.0583776	0.36486	0.72972	1.45944
1933	0.00103	0.000404402	0.0141541	0.014558502	0.0582338	0.363961	0.727923	1.45585
1934	0.00103	0.000403406	0.0141192	0.014522606	0.0580905	0.363066	0.726131	1.45226
1935	0.00101	0.000402413	0.0140845	0.014486913	0.0579475	0.362172	0.724344	1.44869
1936	0.00101	0.000401423	0.0140498	0.014451223	0.057805	0.361281	0.722562	1.44512
1937	0.000994	0.000400436	0.0140153	0.014415736	0.0576628	0.360393	0.720785	1.44157
1938	0.000992	0.000399452	0.0139808	0.014380252	0.057521	0.359506	0.719013	1.43803
1939	0.000976	0.00039847	0.0139464	0.014344487	0.0573796	0.358623	0.717245	1.43449
1940	0.000974	0.00039749	0.0139122	0.01430969	0.0572386	0.357741	0.715483	1.43097
1941	0.000957	0.000396514	0.013878	0.014274514	0.057098	0.356863	0.713725	1.42745
1942	0.000956	0.00039554	0.0138439	0.01423944	0.0569578	0.355986	0.711972	1.42394
1943	0.000939	0.000394569	0.0138099	0.014204469	0.0568179	0.355112	0.710224	1.42045
1944	0.000937	0.0003936	0.013776	0.0141696	0.0566785	0.35424	0.708481	1.41696
1945	0.00092	0.000392634	0.0137422	0.014134834	0.0565394	0.353371	0.706742	1.41348
1946	0.000918	0.000391671	0.0137085	0.014100171	0.0564007	0.352504	0.705008	1.41002
1947	0.000901	0.000390711	0.0136749	0.014065611	0.0562623	0.35164	0.703279	1.40656
1948	0.0009	0.000389753	0.0136413	0.014031053	0.0561244	0.350777	0.701555	1.40311
1949	0.000882	0.000388797	0.0136079	0.013996697	0.0559868	0.349917	0.699835	1.39967
1950	0.00088	0.000387845	0.0135746	0.013962445	0.0558496	0.34906	0.69812	1.39624
1951	0.000863	0.000386894	0.0135413	0.013928194	0.0557128	0.348205	0.69641	1.39282
1952	0.000861	0.000385947	0.0135081	0.013894047	0.0555763	0.347352	0.694704	1.38941
1953	0.000843	0.000385002	0.0134751	0.013860102	0.0554403	0.346502	0.693003	1.38601
1954	0.000841	0.000384059	0.0134421	0.013826159	0.0553046	0.345653	0.691307	1.38261
1955	0.000823	0.00038312	0.0134092	0.01379232	0.0551692	0.344808	0.689615	1.37923
1956	0.000822	0.000382182	0.0133764	0.013758582	0.0550343	0.343964	0.687928	1.37586
1957	0.000803	0.000381248	0.0133437	0.013724948	0.0548997	0.343123	0.686246	1.37249
1958	0.000801	0.000380316	0.013311	0.013691316	0.0547654	0.342284	0.684568	1.36914
1959	0.000782	0.000379386	0.0132785	0.013657886	0.0546316	0.341447	0.682895	1.36579
1960	0.000781	0.000378459	0.0132461	0.013624559	0.0544981	0.340613	0.681226	1.36245
1961	0.000761	0.000377534	0.0132137	0.013591234	0.0543649	0.339781	0.679562	1.35912
1962	0.00076	0.000376612	0.0131814	0.013558012	0.0542322	0.338951	0.677902	1.3558
1963	0.00074	0.000375693	0.0131492	0.013524893	0.0540998	0.338123	0.676247	1.35249
1964	0.000739	0.000374776	0.0131172	0.013491976	0.0539677	0.337298	0.674596	1.34919
1965	0.000718	0.000373861	0.0130851	0.013458961	0.053836	0.336475	0.67295	1.3459
1966	0.000717	0.000372949	0.0130532	0.013426149	0.0537047	0.335654	0.671309	1.34262
1967	0.000696	0.00037204	0.0130214	0.01339344	0.0535737	0.334836	0.669672	1.33934
1968	0.000695	0.000371133	0.0129896	0.013360733	0.0534431	0.334019	0.668039	1.33608
1969	0.000673	0.000370228	0.012958	0.013328228	0.0533128	0.333205	0.666411	1.33282
1970	0.000672	0.000369326	0.0129264	0.013295726	0.0531829	0.332393	0.664787	1.32957
1971	0.00065	0.000368426	0.0128949	0.013263326	0.0530534	0.331584	0.663167	1.32633
1972	0.000649	0.000367529	0.0128635	0.013231029	0.0529242	0.330776	0.661552	1.3231
1973	0.000626	0.000366634	0.0128322	0.013198834	0.0527953	0.329971	0.659942	1.31988
1974	0.000625	0.000365742	0.012801	0.013166742	0.0526669	0.329168	0.658336	1.31667
1975	0.000601	0.000364852	0.0127698	0.013134652	0.0525387	0.328367	0.656734	1.31347
1976	0.0006	0.000363965	0.0127388	0.013102765	0.0524109	0.327568	0.655136	1.31027
1977	0.000576	0.000363079	0.0127078	0.013070879	0.0522834	0.326772	0.653543	1.30709
1978	0.000575	0.000362197	0.0126769	0.013039097	0.0521563	0.325977	0.651954	1.30391
1979	0.00055	0.000361317	0.0126461	0.013007417	0.0520296	0.325185	0.65037	1.30074
1980	0.000549	0.000360439	0.0126154	0.012975839	0.0519032	0.324395	0.64879	1.29758
1981	0.000522	0.000359563	0.0125847	0.012944263	0.0517771	0.323607	0.647214	1.29443

1982	0.000521	0.00035869	0.0125542	0.01291289	0.0516514	0.322821	0.645642	1.29128
1983	0.000493	0.000357819	0.0125237	0.012881519	0.051526	0.322037	0.644075	1.28815
1984	0.000493	0.000356951	0.0124933	0.012850251	0.0514009	0.321256	0.642512	1.28502
1985	0.000463	0.000356085	0.012463	0.012819085	0.0512762	0.320476	0.640953	1.28191
1986	0.000463	0.000355221	0.0124327	0.012787921	0.0511518	0.319699	0.639398	1.2788
1987	0.000431	0.00035436	0.0124026	0.01275696	0.0510278	0.318924	0.637847	1.27569
1988	0.000431	0.000353501	0.0123725	0.012726001	0.0509041	0.318151	0.636301	1.2726
1989	0.000397	0.000352644	0.0123425	0.012695144	0.0507807	0.31738	0.634759	1.26952
1990	0.000397	0.00035179	0.0123126	0.01266439	0.0506577	0.316611	0.633221	1.26644
1991	0.00036	0.000350938	0.0122828	0.012633738	0.050535	0.315844	0.631688	1.26338
1992	0.00036	0.000350088	0.0122531	0.012603188	0.0504127	0.315079	0.630158	1.26032
1993	0.000319	0.00034924	0.0122234	0.01257264	0.0502906	0.314316	0.628633	1.25727
1994	0.000319	0.000348395	0.0121938	0.012542195	0.0501689	0.313556	0.627112	1.25422
1995	0.000273	0.000347552	0.0121643	0.012511852	0.0500475	0.312797	0.625594	1.25119
1996	0.000273	0.000346712	0.0121349	0.012481612	0.0499265	0.312041	0.624081	1.24816
1997	0.000218	0.000345873	0.0121056	0.012451473	0.0498058	0.311286	0.622572	1.24514
1998	0.000218	0.000345037	0.0120763	0.012421337	0.0496854	0.310534	0.621067	1.24213
1999	0.000145	0.000344204	0.0120471	0.012391304	0.0495653	0.309783	0.619567	1.23913
2000		0.000343372	0.012018	0.012361372	0.0494456	0.309035	0.61807	1.23614
2001		0.000342543	0.011989	0.012331543	0.0493262	0.308289	0.616577	1.23315
2002		0.000341716	0.0119601	0.012301816	0.0492071	0.307544	0.615089	1.23018
2003		0.000340891	0.0119312	0.012272091	0.0490883	0.306802	0.613604	1.22721
2004		0.000340069	0.0119024	0.012242469	0.0489699	0.306062	0.612123	1.22425
2005		0.000339248	0.0118737	0.012212948	0.0488517	0.305323	0.610647	1.22129
2006		0.00033843	0.0118451	0.01218353	0.0487339	0.304587	0.609174	1.21835
2007		0.000337614	0.0118165	0.012154114	0.0486164	0.303853	0.607705	1.21541
2008		0.0003368	0.011788	0.0121248	0.0484993	0.30312	0.606241	1.21248
2009		0.000335989	0.0117596	0.012095589	0.0483824	0.30239	0.60478	1.20956
2010		0.00033518	0.0117313	0.01206648	0.0482658	0.301662	0.603323	1.20665
2011		0.000334372	0.011703	0.012037372	0.0481496	0.300935	0.60187	1.20374
2012		0.000333567	0.0116749	0.012008467	0.0480337	0.300211	0.600421	1.20084
2013		0.000332765	0.0116468	0.011979565	0.0479181	0.299488	0.598976	1.19795
2014		0.000331964	0.0116187	0.011950664	0.0478028	0.298768	0.597535	1.19507
2015		0.000331165	0.0115908	0.011921965	0.0476878	0.298049	0.596098	1.1922
2016		0.000330369	0.0115629	0.011893269	0.0475732	0.297332	0.594664	1.18933
2017		0.000329575	0.0115351	0.011864675	0.0474588	0.296617	0.593235	1.18647
2018		0.000328783	0.0115074	0.011836183	0.0473447	0.295905	0.591809	1.18362
2019		0.000327993	0.0114798	0.011807793	0.047231	0.295194	0.590387	1.18077
2020		0.000327205	0.0114522	0.011779405	0.0471175	0.294485	0.588969	1.17794
2021		0.000326419	0.0114247	0.011751119	0.0470044	0.293778	0.587555	1.17511
2022		0.000325636	0.0113973	0.011722936	0.0468916	0.293072	0.586145	1.17229
2023		0.000324854	0.0113699	0.011694754	0.046779	0.292369	0.584738	1.16948
2024		0.000324075	0.0113426	0.011666675	0.0466668	0.291668	0.583335	1.16667
2025		0.000323298	0.0113154	0.011638698	0.0465549	0.290968	0.581936	1.16387
2026		0.000322523	0.0112883	0.011610823	0.0464433	0.29027	0.580541	1.16108
2027		0.00032175	0.0112612	0.01158295	0.0463319	0.289575	0.579149	1.1583
2028		0.000320979	0.0112343	0.011555279	0.0462209	0.288881	0.577762	1.15552
2029		0.00032021	0.0112073	0.01152751	0.0461102	0.288189	0.576377	1.15275
2030		0.000319443	0.0111805	0.011499943	0.0459998	0.287499	0.574997	1.14999
2031		0.000318678	0.0111537	0.011472378	0.0458896	0.28681	0.57362	1.14724
2032		0.000317915	0.011127	0.011444915	0.0457798	0.286124	0.572248	1.1445
2033		0.000317155	0.0111004	0.011417555	0.0456703	0.285439	0.570878	1.14176
2034		0.000316396	0.0110739	0.011390296	0.045561	0.284756	0.569513	1.13903
2035		0.000315639	0.0110474	0.011363039	0.0454521	0.284075	0.568151	1.1363
2036		0.000314885	0.011021	0.011335885	0.0453434	0.283396	0.566793	1.13359
2037		0.000314132	0.0109946	0.011308732	0.045235	0.282719	0.565438	1.13088
2038		0.000313382	0.0109684	0.011281782	0.045127	0.282043	0.564087	1.12817
2039		0.000312633	0.0109422	0.011254833	0.0450192	0.28137	0.56274	1.12548
2040		0.000311887	0.010916	0.011227887	0.0449117	0.280698	0.561396	1.12279
2041		0.000311142	0.01089	0.011201142	0.0448045	0.280028	0.560056	1.12011
2042		0.0003104	0.010864	0.0111744	0.0446975	0.27936	0.558719	1.11744
2043		0.000309659	0.0108381	0.011147759	0.0445909	0.278693	0.557386	1.11477
2044		0.00030892	0.0108122	0.0111212	0.0444845	0.278028	0.556057	1.11211
2045		0.000308184	0.0107864	0.011094584	0.0443785	0.277365	0.554731	1.10946
2046		0.000307449	0.0107607	0.011068149	0.0442727	0.276704	0.553409	1.10682
2047		0.000306717	0.0107351	0.011041817	0.0441672	0.276045	0.55209	1.10418
2048		0.000305986	0.0107095	0.011015486	0.044062	0.275387	0.550775	1.10155
2049		0.000305257	0.010684	0.010989257	0.043957	0.274731	0.549463	1.09893
2050		0.00030453	0.0106586	0.01096313	0.0438524	0.274077	0.548155	1.09631
2051		0.000303805	0.0106332	0.010937005	0.043748	0.273425	0.54685	1.0937
2052		0.000303083	0.0106079	0.010910983	0.0436439	0.272774	0.545549	1.0911
2053		0.000302362	0.0105827	0.010885062	0.0435401	0.272125	0.544251	1.0885
2054		0.000301643	0.0105575	0.010859143	0.0434365	0.271478	0.542957	1.08591

2055	0.000300925	0.0105324	0.010833325	0.0433333	0.270833	0.541666	1.08333
2056	0.00030021	0.0105074	0.01080761	0.0432303	0.270189	0.540378	1.08076
2057	0.000299497	0.0104824	0.010781897	0.0431276	0.269547	0.539094	1.07819
2058	0.000298786	0.0104575	0.010756286	0.0430251	0.268907	0.537814	1.07563
2059	0.000298076	0.0104327	0.010730776	0.0429229	0.268268	0.536537	1.07307
2060	0.000297368	0.0104079	0.010705268	0.0428211	0.267632	0.535263	1.07053
2061	0.000296663	0.0103832	0.010679863	0.0427194	0.266996	0.533993	1.06799
2062	0.000295959	0.0103586	0.010654559	0.0426181	0.266363	0.532726	1.06545
2063	0.000295257	0.010334	0.010629257	0.042517	0.265731	0.531462	1.06292
2064	0.000294557	0.0103095	0.010604057	0.0424162	0.265101	0.530202	1.0604
2065	0.000293859	0.010285	0.010578859	0.0423156	0.264473	0.528945	1.05789
2066	0.000293162	0.0102607	0.010553862	0.0422154	0.263846	0.527692	1.05538
2067	0.000292468	0.0102364	0.010528868	0.0421153	0.263221	0.526442	1.05288
2068	0.000291775	0.0102121	0.010503875	0.0420156	0.262598	0.525195	1.05039
2069	0.000291084	0.0101879	0.010478984	0.0419161	0.261976	0.523952	1.0479
2070	0.000290395	0.0101638	0.010454195	0.0418169	0.261356	0.522712	1.04542
2071	0.000289708	0.0101398	0.010429508	0.041718	0.260737	0.521475	1.04295
2072	0.000289023	0.0101158	0.010404823	0.0416193	0.260121	0.520241	1.04048
2073	0.000288339	0.0100919	0.010380239	0.0415209	0.259505	0.519011	1.03802
2074	0.000287658	0.010068	0.010355658	0.0414227	0.258892	0.517784	1.03557
2075	0.000286978	0.0100442	0.010331178	0.0413248	0.25828	0.51656	1.03312
2076	0.0002863	0.0100205	0.0103068	0.0412272	0.25767	0.51534	1.03068
2077	0.000285623	0.00999682	0.010282443	0.0411298	0.257061	0.514122	1.02824
2078	0.000284949	0.00997322	0.010258169	0.0410327	0.256454	0.512908	1.02582
2079	0.000284276	0.00994967	0.010233946	0.0409358	0.255849	0.511697	1.02339
2080	0.000283606	0.00992619	0.010209796	0.0408392	0.255245	0.51049	1.02098
2081	0.000282936	0.00990277	0.010185706	0.0407428	0.254643	0.509285	1.01857
2082	0.000282269	0.00987942	0.010161689	0.0406468	0.254042	0.508084	1.01617
2083	0.000281604	0.00985612	0.010137724	0.0405509	0.253443	0.506886	1.01377
2084	0.00028094	0.00983289	0.01011383	0.0404553	0.252846	0.505692	1.01138
2085	0.000280278	0.00980972	0.010089998	0.04036	0.25225	0.5045	1.009
2086	0.000279618	0.00978661	0.010066228	0.0402649	0.251656	0.503312	1.00662
2087	0.000278959	0.00976356	0.010042519	0.0401701	0.251063	0.502126	1.00425
2088	0.000278302	0.00974058	0.010018882	0.0400755	0.250472	0.500944	1.00189
2089	0.000277647	0.00971765	0.009995297	0.0399812	0.249882	0.499765	0.99953
2090	0.000276994	0.00969479	0.009971784	0.0398871	0.249295	0.498589	0.997178
2091	0.000276342	0.00967198	0.009948322	0.0397933	0.248708	0.497416	0.994832
2092	0.000275693	0.00964924	0.009924933	0.0396997	0.248123	0.496247	0.992493
2093	0.000275044	0.00962655	0.009901594	0.0396064	0.24754	0.49508	0.99016
2094	0.000274398	0.00960393	0.009878328	0.0395133	0.246958	0.493916	0.987833
2095	0.000273753	0.00958136	0.009855113	0.0394205	0.246378	0.492756	0.985512
2096	0.00027311	0.00955886	0.00983197	0.0393279	0.245799	0.491599	0.983197
2097	0.000272469	0.00953642	0.009808889	0.0392355	0.245222	0.490444	0.980888
2098	0.000271829	0.00951403	0.009785859	0.0391434	0.244647	0.489293	0.978586
2099	0.000271192	0.0094917	0.009762892	0.0390516	0.244072	0.488145	0.976289
2100	0.000270555	0.00946944	0.009739995	0.03896	0.2435	0.487	0.973999
2101	0.000269921	0.00944723	0.009717151	0.0388686	0.242929	0.485857	0.971715
2102	0.000269288	0.00942508	0.009694368	0.0387775	0.242359	0.484718	0.969437
2103	0.000268657	0.00940299	0.009671647	0.0386866	0.241791	0.483582	0.967164
2104	0.000268027	0.00938096	0.009648987	0.0385959	0.241225	0.482449	0.964898
2105	0.000267399	0.00935898	0.009626379	0.0385055	0.240659	0.481319	0.962638
2106	0.000266773	0.00933706	0.009603833	0.0384154	0.240096	0.480192	0.960384
2107	0.000266149	0.0093152	0.009581349	0.0383254	0.239534	0.479068	0.958135
2108	0.000265526	0.0092934	0.009558926	0.0382357	0.238973	0.477947	0.955893
2109	0.000264905	0.00927166	0.009536565	0.0381463	0.238414	0.476828	0.953656
2110	0.000264285	0.00924997	0.009514255	0.038057	0.237856	0.475713	0.951426
2111	0.000263667	0.00922834	0.009492007	0.037968	0.2373	0.474601	0.949201
2112	0.000263051	0.00920677	0.009469821	0.0378793	0.236746	0.473491	0.946982
2113	0.000262436	0.00918526	0.009447696	0.0377908	0.236192	0.472385	0.944769
2114	0.000261823	0.0091638	0.009425623	0.0377025	0.235641	0.471281	0.942562
2115	0.000261211	0.0091424	0.009403611	0.0376144	0.23509	0.47018	0.940361
2116	0.000260601	0.00912105	0.009381651	0.0375266	0.234541	0.469083	0.938165
2117	0.000259993	0.00909976	0.009359753	0.037439	0.233994	0.467988	0.935975
2118	0.000259387	0.00907853	0.009337917	0.0373517	0.233448	0.466896	0.933792
2119	0.000258781	0.00905735	0.009316131	0.0372645	0.232903	0.465807	0.931613
2120	0.000258178	0.00903623	0.009294408	0.0371776	0.23236	0.46472	0.929441
2121	0.000257576	0.00901516	0.009272736	0.0370909	0.231818	0.463637	0.927274
2122	0.000256976	0.00899415	0.009251126	0.0370045	0.231278	0.462556	0.925113
2123	0.000256377	0.00897319	0.009229567	0.0369183	0.230739	0.461479	0.922957
2124	0.00025578	0.0089523	0.00920808	0.0368323	0.230202	0.460404	0.920808
2125	0.000255184	0.00893145	0.009186634	0.0367465	0.229666	0.459332	0.918663
2126	0.00025459	0.00891066	0.00916525	0.036661	0.229131	0.458262	0.916525
2127	0.000253998	0.00888992	0.009143918	0.0365757	0.228598	0.457196	0.914392

2128	0.000253407	0.00886924	0.009122647	0.0364906	0.228066	0.456132	0.912265
2129	0.000252817	0.00884861	0.009101427	0.0364057	0.227536	0.455071	0.910143
2130	0.00025223	0.00882804	0.00908027	0.0363211	0.227007	0.454014	0.908027
2131	0.000251643	0.00880752	0.009059163	0.0362367	0.226479	0.452958	0.905916
2132	0.000251059	0.00878706	0.009038119	0.0361525	0.225953	0.451906	0.903811
2133	0.000250475	0.00876664	0.009017115	0.0360685	0.225428	0.450856	0.901712
2134	0.000249894	0.00874629	0.008996184	0.0359847	0.224904	0.449809	0.899618
2135	0.000249314	0.00872598	0.008975294	0.0359012	0.224382	0.448765	0.897529
2136	0.000248735	0.00870573	0.008954465	0.0358179	0.223862	0.447723	0.895446
2137	0.000248158	0.00868553	0.008933688	0.0357347	0.223342	0.446684	0.893369
2138	0.000247582	0.00866538	0.008912962	0.0356519	0.222824	0.445648	0.891297
2139	0.000247008	0.00864529	0.008892298	0.0355692	0.222307	0.444615	0.88923
2140	0.000246436	0.00862525	0.008871686	0.0354867	0.221792	0.443584	0.887169
2141	0.000245865	0.00860526	0.008851125	0.0354045	0.221278	0.442556	0.885113
2142	0.000245295	0.00858533	0.008830625	0.0353225	0.220766	0.441531	0.883062
2143	0.000244727	0.00856544	0.008810167	0.0352407	0.220254	0.440508	0.881017
2144	0.00024416	0.00854561	0.00878977	0.0351591	0.219744	0.439489	0.878977
2145	0.000243595	0.00852583	0.008769425	0.0350777	0.219236	0.438471	0.876943
2146	0.000243032	0.00850611	0.008749142	0.0349965	0.218728	0.437457	0.874914
2147	0.000242469	0.00848643	0.008728899	0.0349156	0.218222	0.436445	0.87289
2148	0.000241909	0.0084668	0.008708709	0.0348349	0.217718	0.435436	0.870871
2149	0.000241349	0.00844723	0.008688579	0.0347543	0.217214	0.434429	0.868858
2150	0.000240792	0.00842771	0.008668502	0.034674	0.216713	0.433425	0.86685
2151	0.000240235	0.00840824	0.008648475	0.0345939	0.216212	0.432424	0.864847
2152	0.00023968	0.00838882	0.0086285	0.034514	0.215712	0.431425	0.86285
2153	0.000239127	0.00836944	0.008608567	0.0344343	0.215214	0.430429	0.860857
2154	0.000238575	0.00835013	0.008588705	0.0343548	0.214718	0.429435	0.85887
2155	0.000238024	0.00833086	0.008568884	0.0342755	0.214222	0.428444	0.856888
2156	0.000237475	0.00831164	0.008549115	0.0341965	0.213728	0.427456	0.854911
2157	0.000236928	0.00829247	0.008529398	0.0341176	0.213235	0.42647	0.85294
2158	0.000236381	0.00827335	0.008509731	0.0340389	0.212743	0.425487	0.850973
2159	0.000235837	0.00825428	0.008490117	0.0339605	0.212253	0.424506	0.849012
2160	0.000235293	0.00823526	0.008470553	0.0338822	0.211764	0.423528	0.847056
2161	0.000234751	0.00821629	0.008451041	0.0338042	0.211276	0.422552	0.845104
2162	0.000234211	0.00819737	0.008431581	0.0337263	0.21079	0.421579	0.843159
2163	0.000233671	0.0081785	0.008412171	0.0336487	0.210304	0.420609	0.841217
2164	0.000233134	0.00815968	0.008392814	0.0335713	0.20982	0.419641	0.839282
2165	0.000232597	0.00814091	0.008373507	0.033494	0.209338	0.418675	0.83735
2166	0.000232062	0.00812219	0.008354252	0.033417	0.208856	0.417712	0.835425
2167	0.000231529	0.00810351	0.008335039	0.0333401	0.208376	0.416752	0.833504
2168	0.000230997	0.00808488	0.008315877	0.0332635	0.207897	0.415794	0.831588
2169	0.000230466	0.0080663	0.008296766	0.0331871	0.207419	0.414838	0.829677
2170	0.000229936	0.00804778	0.008277716	0.0331108	0.206943	0.413886	0.827771
2171	0.000229408	0.00802929	0.008258698	0.0330348	0.206468	0.412935	0.82587
2172	0.000228882	0.00801086	0.008239742	0.032959	0.205994	0.411987	0.823974
2173	0.000228356	0.00799247	0.008220826	0.0328833	0.205521	0.411041	0.822083
2174	0.000227832	0.00797414	0.008201972	0.0328079	0.205049	0.410098	0.820197
2175	0.00022731	0.00795584	0.00818315	0.0327326	0.204579	0.409158	0.818315
2176	0.000226789	0.0079376	0.008164389	0.0326576	0.20411	0.40822	0.816439
2177	0.000226269	0.0079194	0.008145669	0.0325827	0.203642	0.407284	0.814567
2178	0.00022575	0.00790126	0.00812701	0.032508	0.203175	0.40635	0.812701
2179	0.000225233	0.00788316	0.008108393	0.0324336	0.20271	0.405419	0.810839
2180	0.000224717	0.0078651	0.008089817	0.0323593	0.202245	0.404491	0.808982
2181	0.000224203	0.00784709	0.008071293	0.0322852	0.201782	0.403565	0.80713
2182	0.000223689	0.00782913	0.00805282	0.0322113	0.201321	0.402641	0.805282
2183	0.000223178	0.00781122	0.008034398	0.0321376	0.20086	0.40172	0.80344
2184	0.000222667	0.00779335	0.008016017	0.0320641	0.2004	0.400801	0.801602
2185	0.000222158	0.00777553	0.007997688	0.0319907	0.199942	0.399884	0.799769
2186	0.00022165	0.00775775	0.0079794	0.0319176	0.199485	0.39897	0.79794
2187	0.000221143	0.00774002	0.007961163	0.0318447	0.199029	0.398058	0.796117
2188	0.000220638	0.00772234	0.007942978	0.0317719	0.198574	0.397149	0.794298
2189	0.000220134	0.0077047	0.007924834	0.0316993	0.198121	0.396242	0.792484
2190	0.000219632	0.00768711	0.007906742	0.031627	0.197669	0.395337	0.790674
2191	0.00021913	0.00766956	0.00788869	0.0315548	0.197217	0.394435	0.788869
2192	0.00021863	0.00765206	0.00787069	0.0314828	0.196767	0.393535	0.787069
2193	0.000218132	0.0076346	0.007852732	0.0314109	0.196318	0.392637	0.785274
2194	0.000217634	0.00761719	0.007834824	0.0313393	0.195871	0.391741	0.783483
2195	0.000217138	0.00759983	0.007816968	0.0312679	0.195424	0.390848	0.781696
2196	0.000216643	0.00758251	0.007799153	0.0311966	0.194979	0.389958	0.779915
2197	0.000216149	0.00756523	0.007781379	0.0311255	0.194534	0.389069	0.778138
2198	0.000215657	0.007548	0.007763657	0.0310546	0.194091	0.388183	0.776366
2199	0.000215166	0.00753081	0.007745976	0.0309839	0.193649	0.387299	0.774598
2200	0.000214676	0.00751367	0.007728346	0.0309134	0.193209	0.386417	0.772834

2201	0.000214188	0.00749657	0.007710758	0.030843	0.192769	0.385538	0.771075
2202	0.0002137	0.00747951	0.00769321	0.0307729	0.19233	0.384661	0.769321
2203	0.000213214	0.0074625	0.007675714	0.0307029	0.191893	0.383786	0.767572
2204	0.00021273	0.00744554	0.00765827	0.0306331	0.191457	0.382913	0.765827
2205	0.000212246	0.00742861	0.007640856	0.0305634	0.191021	0.382043	0.764086
2206	0.000211764	0.00741173	0.007623494	0.030494	0.190587	0.381175	0.76235
2207	0.000211283	0.0073949	0.007606183	0.0304247	0.190154	0.380309	0.760618
2208	0.000210803	0.0073781	0.007588903	0.0303556	0.189723	0.379445	0.758891
2209	0.000210324	0.00736135	0.007571674	0.0302867	0.189292	0.378584	0.757168
2210	0.000209847	0.00734465	0.007554497	0.030218	0.188862	0.377725	0.75545
2211	0.000209371	0.00732798	0.007537351	0.0301494	0.188434	0.376868	0.753735
2212	0.000208896	0.00731136	0.007520256	0.030081	0.188007	0.376013	0.752026
2213	0.000208422	0.00729478	0.007503202	0.0300128	0.18758	0.37516	0.750321
2214	0.00020795	0.00727825	0.0074862	0.0299448	0.187155	0.37431	0.74862
2215	0.000207479	0.00726176	0.007469239	0.0298769	0.186731	0.373462	0.746924
2216	0.000207009	0.00724531	0.007452319	0.0298093	0.186308	0.372616	0.745232
2217	0.00020654	0.0072289	0.00743544	0.0297418	0.185886	0.371772	0.743544
2218	0.000206072	0.00721253	0.007418602	0.0296744	0.185465	0.37093	0.741861
2219	0.000205606	0.00719621	0.007401816	0.0296073	0.185045	0.370091	0.740181
2220	0.000205141	0.00717993	0.007385071	0.0295403	0.184627	0.369253	0.738507
2221	0.000204677	0.00716369	0.007368367	0.0294734	0.184209	0.368418	0.736836
2222	0.000204214	0.00714749	0.007351704	0.0294068	0.183793	0.367585	0.73517
2223	0.000203752	0.00713133	0.007335082	0.0293403	0.183377	0.366754	0.733508
2224	0.000203292	0.00711522	0.007318512	0.029274	0.182963	0.365925	0.731851
2225	0.000202833	0.00709914	0.007301973	0.0292079	0.182549	0.365099	0.730197
2226	0.000202375	0.00708311	0.007285485	0.0291419	0.182137	0.364274	0.728548
2227	0.000201918	0.00706712	0.007269038	0.0290761	0.181726	0.363452	0.726903
2228	0.000201462	0.00705117	0.007252632	0.0290105	0.181316	0.362631	0.725263
2229	0.000201007	0.00703525	0.007236257	0.028945	0.180907	0.361813	0.723626
2230	0.000200554	0.00701939	0.007219944	0.0288798	0.180499	0.360997	0.721994
2231	0.000200102	0.00700356	0.007203662	0.0288146	0.180091	0.360183	0.720366
2232	0.000199651	0.00698777	0.007187421	0.0287497	0.179686	0.359371	0.718742
2233	0.000199201	0.00697202	0.007171221	0.0286849	0.179281	0.358561	0.717122
2234	0.000198752	0.00695631	0.007155062	0.0286203	0.178877	0.357753	0.715507
2235	0.000198304	0.00694065	0.007138954	0.0285558	0.178474	0.356947	0.713895
2236	0.000197858	0.00692502	0.007122878	0.0284915	0.178072	0.356144	0.712288
2237	0.000197412	0.00690943	0.007106842	0.0284274	0.177671	0.355342	0.710684
2238	0.000196968	0.00689389	0.007090858	0.0283634	0.177271	0.354543	0.709085
2239	0.000196525	0.00687838	0.007074905	0.0282996	0.176873	0.353745	0.70749
2240	0.000196083	0.00686291	0.007058993	0.028236	0.176475	0.35295	0.705899
2241	0.000195642	0.00684748	0.007043122	0.0281725	0.176078	0.352156	0.704312
2242	0.000195203	0.00683209	0.007027293	0.0281092	0.175682	0.351365	0.702729
2243	0.000194764	0.00681674	0.007011504	0.028046	0.175288	0.350575	0.70115
2244	0.000194327	0.00680143	0.006995757	0.027983	0.174894	0.349788	0.699576
2245	0.00019389	0.00678616	0.00698005	0.0279202	0.174501	0.349002	0.698005
2246	0.000193455	0.00677093	0.006964385	0.0278575	0.174111	0.348219	0.696438
2247	0.000193021	0.00675573	0.006948751	0.027795	0.173719	0.347438	0.694875
2248	0.000192588	0.00674058	0.006933168	0.0277327	0.173329	0.346658	0.693316
2249	0.000192156	0.00672546	0.006917616	0.0276705	0.17294	0.345881	0.691761
2250	0.000191725	0.00671038	0.006902105	0.0276084	0.172553	0.345105	0.690211
2251	0.000191295	0.00669534	0.006886635	0.0275465	0.172166	0.344332	0.688664
2252	0.000190867	0.00668034	0.006871207	0.0274848	0.17178	0.34356	0.687121
2253	0.000190439	0.00666538	0.006855819	0.0274233	0.171395	0.342791	0.685582
2254	0.000190013	0.00665045	0.006840463	0.0273619	0.171012	0.342023	0.684047
2255	0.000189588	0.00663556	0.006825148	0.0273006	0.170629	0.341258	0.682515
2256	0.000189163	0.00662072	0.006809883	0.0272395	0.170247	0.340494	0.680988
2257	0.00018874	0.0066059	0.00679464	0.0271786	0.169866	0.339732	0.679464
2258	0.000188318	0.00659113	0.006779448	0.0271178	0.169486	0.338972	0.677945
2259	0.000187897	0.00657639	0.006764287	0.0270572	0.169107	0.338215	0.676429
2260	0.000187477	0.0065617	0.006749177	0.0269967	0.168729	0.337459	0.674917
2261	0.000187058	0.00654703	0.006734088	0.0269364	0.168352	0.336705	0.673409
2262	0.00018664	0.00653241	0.00671905	0.0268762	0.167976	0.335953	0.671905
2263	0.000186223	0.00651782	0.006704043	0.0268162	0.167601	0.335202	0.670405
2264	0.000185808	0.00650327	0.006689078	0.0267563	0.167227	0.334454	0.668908
2265	0.000185393	0.00648876	0.006674153	0.0266966	0.166854	0.333708	0.667415
2266	0.00018498	0.00647428	0.00665926	0.0266371	0.166482	0.332963	0.665926
2267	0.000184567	0.00645984	0.006644407	0.0265776	0.166111	0.332221	0.664441
2268	0.000184155	0.00644544	0.006629595	0.0265184	0.16574	0.33148	0.66296
2269	0.000183745	0.00643107	0.006614815	0.0264593	0.16537	0.330741	0.661482
2270	0.000183336	0.00641675	0.006600086	0.0264003	0.165002	0.330004	0.660008
2271	0.000182927	0.00640245	0.006585377	0.0263415	0.164634	0.329269	0.658538
2272	0.00018252	0.0063882	0.00657072	0.0262829	0.164268	0.328536	0.657071
2273	0.000182113	0.00637397	0.006556083	0.0262243	0.163902	0.327804	0.655609

2274	0.000181708	0.00635979	0.006541498	0.026166	0.163537	0.327075	0.65415
2275	0.000181304	0.00634564	0.006526944	0.0261078	0.163174	0.326347	0.652694
2276	0.000180901	0.00633153	0.006512431	0.0260497	0.162811	0.325621	0.651243
2277	0.000180498	0.00631745	0.006497948	0.0259918	0.162449	0.324897	0.649794
2278	0.000180097	0.00630341	0.006483507	0.025934	0.162088	0.324175	0.64835
2279	0.000179697	0.0062894	0.006469097	0.0258764	0.161727	0.323455	0.646909
2280	0.000179298	0.00627543	0.006454728	0.0258189	0.161368	0.322736	0.645473
2281	0.0001789	0.00626149	0.00644039	0.0257616	0.16101	0.322019	0.644039
2282	0.000178503	0.00624759	0.006426093	0.0257044	0.160652	0.321305	0.642609
2283	0.000178106	0.00623372	0.006411826	0.0256473	0.160296	0.320592	0.641183
2284	0.000177711	0.00621989	0.006397601	0.0255904	0.15994	0.31988	0.639761
2285	0.000177317	0.0062061	0.006383417	0.0255337	0.159585	0.319171	0.638341
2286	0.000176924	0.00619234	0.006369264	0.025477	0.159232	0.318463	0.636926
2287	0.000176532	0.00617861	0.006355142	0.0254206	0.158879	0.317757	0.635514
2288	0.000176141	0.00616492	0.006341061	0.0253642	0.158527	0.317053	0.634106
2289	0.000175751	0.00615126	0.00632701	0.025308	0.158175	0.316351	0.632701
2290	0.000175361	0.00613764	0.006313001	0.025252	0.157825	0.31565	0.6313
2291	0.000174973	0.00612405	0.006299023	0.0251961	0.157476	0.314951	0.629902
2292	0.000174586	0.0061105	0.006285086	0.0251403	0.157127	0.314254	0.628509
2293	0.000174199	0.00609698	0.006271179	0.0250847	0.156779	0.313559	0.627118
2294	0.000173814	0.00608349	0.006257304	0.0250292	0.156433	0.312865	0.625731
2295	0.00017343	0.00607004	0.00624347	0.0249739	0.156087	0.312174	0.624347
2296	0.000173046	0.00605662	0.006229666	0.0249187	0.155742	0.311484	0.622967
2297	0.000172664	0.00604324	0.006215904	0.0248636	0.155398	0.310795	0.62159
2298	0.000172283	0.00602989	0.006202173	0.0248087	0.155054	0.310109	0.620217
2299	0.000171902	0.00601657	0.006188472	0.0247539	0.154712	0.309424	0.618847
2300	0.000171523	0.00600329	0.006174813	0.0246993	0.15437	0.308741	0.617481
2301	0.000171144	0.00599004	0.006161184	0.0246447	0.15403	0.308059	0.616118
2302	0.000170766	0.00597682	0.006147586	0.0245904	0.15369	0.30738	0.614759
2303	0.00017039	0.00596364	0.00613403	0.0245361	0.153351	0.306701	0.613403
2304	0.000170014	0.00595049	0.006120504	0.024482	0.153013	0.306025	0.61205
2305	0.000169639	0.00593737	0.006107009	0.024428	0.152675	0.305351	0.610701
2306	0.000169265	0.00592429	0.006093555	0.0243742	0.152339	0.304678	0.609355
2307	0.000168892	0.00591124	0.006080132	0.0243205	0.152003	0.304006	0.608013
2308	0.000168521	0.00589822	0.006066741	0.024267	0.151668	0.303337	0.606674
2309	0.000168149	0.00588523	0.006053379	0.0242135	0.151335	0.302669	0.605338
2310	0.000167779	0.00587228	0.006040059	0.0241602	0.151001	0.302003	0.604006
2311	0.00016741	0.00585936	0.00602677	0.0241071	0.150669	0.301338	0.602677
2312	0.000167042	0.00584647	0.006013512	0.024054	0.150338	0.300676	0.601351
2313	0.000166675	0.00583361	0.006000285	0.0240011	0.150007	0.300014	0.600029
2314	0.000166308	0.00582079	0.005987098	0.0239484	0.149677	0.299355	0.59871
2315	0.000165943	0.005808	0.005973943	0.0238958	0.149348	0.298697	0.597394
2316	0.000165578	0.00579524	0.005960818	0.0238433	0.14902	0.298041	0.596082
2317	0.000165215	0.00578251	0.005947725	0.0237909	0.148693	0.297386	0.594772
2318	0.000164852	0.00576982	0.005934672	0.0237387	0.148367	0.296733	0.593467
2319	0.00016449	0.00575715	0.00592164	0.0236866	0.148041	0.296082	0.592164
2320	0.000164129	0.00574452	0.005908649	0.0236346	0.147716	0.295432	0.590865
2321	0.000163769	0.00573192	0.005895689	0.0235827	0.147392	0.294784	0.589569
2322	0.00016341	0.00571935	0.00588276	0.023531	0.147069	0.294138	0.588276
2323	0.000163052	0.00570681	0.005869862	0.0234794	0.146747	0.293493	0.586986
2324	0.000162694	0.0056943	0.005856994	0.023428	0.146425	0.29285	0.5857
2325	0.000162338	0.00568183	0.005844168	0.0233767	0.146104	0.292208	0.584417
2326	0.000161982	0.00566938	0.005831362	0.0233255	0.145784	0.291568	0.583137
2327	0.000161628	0.00565697	0.005818598	0.0232744	0.145465	0.29093	0.58186
2328	0.000161274	0.00564459	0.005805864	0.0232235	0.145147	0.290293	0.580586
2329	0.000160921	0.00563224	0.005793161	0.0231726	0.144829	0.289658	0.579316
2330	0.000160569	0.00561992	0.005780489	0.023122	0.144512	0.289024	0.578049
2331	0.000160218	0.00560763	0.005767848	0.0230714	0.144196	0.288392	0.576785
2332	0.000159868	0.00559537	0.005755238	0.023021	0.143881	0.287762	0.575524
2333	0.000159518	0.00558314	0.005742658	0.0229706	0.143566	0.287133	0.574266
2334	0.00015917	0.00557094	0.00573011	0.0229205	0.143253	0.286506	0.573011
2335	0.000158822	0.00555877	0.005717592	0.0228704	0.14294	0.28588	0.57176
2336	0.000158475	0.00554664	0.005705115	0.0228205	0.142628	0.285256	0.570511
2337	0.000158129	0.00553453	0.005692659	0.0227706	0.142317	0.284633	0.569266
2338	0.000157784	0.00552246	0.005680244	0.022721	0.142006	0.284012	0.568024
2339	0.00015744	0.00551041	0.00566785	0.0226714	0.141696	0.283392	0.566785
2340	0.000157097	0.00549839	0.005655487	0.022622	0.141387	0.282774	0.565549
2341	0.000156754	0.0054864	0.005643154	0.0225726	0.141079	0.282158	0.564316
2342	0.000156413	0.00547445	0.005630863	0.0225234	0.140772	0.281543	0.563086
2343	0.000156072	0.00546252	0.005618592	0.0224744	0.140465	0.28093	0.561859
2344	0.000155732	0.00545062	0.005606352	0.0224254	0.140159	0.280318	0.560636
2345	0.000155393	0.00543876	0.005594153	0.0223766	0.139854	0.279707	0.559415
2346	0.000155055	0.00542692	0.005581975	0.0223279	0.139549	0.279099	0.558197

2347	0.000154717	0.00541511	0.005569827	0.0222793	0.139246	0.278491	0.556983
2348	0.000154381	0.00540333	0.005557711	0.0222308	0.138943	0.277886	0.555771
2349	0.000154045	0.00539158	0.005545625	0.0221825	0.138641	0.277281	0.554562
2350	0.00015371	0.00537986	0.00553357	0.0221343	0.138339	0.276678	0.553357
2351	0.000153376	0.00536816	0.005521536	0.0220862	0.138039	0.276077	0.552154
2352	0.000153043	0.0053565	0.005509543	0.0220382	0.137739	0.275477	0.550955
2353	0.00015271	0.00534487	0.00549758	0.0219903	0.137439	0.274879	0.549758
2354	0.000152379	0.00533326	0.005485639	0.0219426	0.137141	0.274282	0.548564
2355	0.000152048	0.00532169	0.005473738	0.0218949	0.136843	0.273687	0.547373
2356	0.000151718	0.00531014	0.005461858	0.0218474	0.136546	0.273093	0.546186
2357	0.000151389	0.00529862	0.005450009	0.0218000	0.136250	0.272500	0.545001
2358	0.000151061	0.00528713	0.005438191	0.0217528	0.135955	0.271911	0.543819
2359	0.000150733	0.00527567	0.005426403	0.0217056	0.135660	0.271322	0.542640
2360	0.000150407	0.00526423	0.005414637	0.0216586	0.135366	0.270732	0.541464
2361	0.000150081	0.00525283	0.005402911	0.0216116	0.135073	0.270145	0.540291
2362	0.000149756	0.00524145	0.005391206	0.0215648	0.134780	0.269556	0.539121
2363	0.000149431	0.00523001	0.005379531	0.0215181	0.134488	0.268977	0.537953
2364	0.000149108	0.00521878	0.005367888	0.0214716	0.134197	0.268394	0.536789
2365	0.000148785	0.00520749	0.005356275	0.0214251	0.133907	0.267814	0.535627
2366	0.000148463	0.00519622	0.005344683	0.0213787	0.133617	0.267234	0.534469
2367	0.000148142	0.00518498	0.005333122	0.0213325	0.133328	0.266656	0.533313
2368	0.000147822	0.00517378	0.005321602	0.0212864	0.133040	0.266080	0.532160
2369	0.000147503	0.00516259	0.005310093	0.0212404	0.132752	0.265505	0.531009
2370	0.000147184	0.00515144	0.005298624	0.0211945	0.132466	0.264931	0.529862
2371	0.000146866	0.00514031	0.005287176	0.0211487	0.132179	0.264359	0.528718
2372	0.000146549	0.00512921	0.005275759	0.0211031	0.131894	0.263788	0.527576
2373	0.000146233	0.00511814	0.005264373	0.0210575	0.131609	0.263219	0.526437
2374	0.000145917	0.0051071	0.005253017	0.0210121	0.131325	0.262651	0.525301
2375	0.000145602	0.00509608	0.005241682	0.0209667	0.131042	0.262084	0.524168
2376	0.000145288	0.00508509	0.005230378	0.0209215	0.130759	0.261519	0.523038
2377	0.000144975	0.00507413	0.005219105	0.0208764	0.130478	0.260955	0.521910
2378	0.000144663	0.00506319	0.005207853	0.0208314	0.130196	0.260393	0.520785
2379	0.000144351	0.00505228	0.005196631	0.0207865	0.129916	0.259832	0.519663
2380	0.000144040	0.0050414	0.00518544	0.0207418	0.129636	0.259272	0.518544
2381	0.000143733	0.00503054	0.00517427	0.0206971	0.129357	0.258714	0.517427
2382	0.000143422	0.00501972	0.00516314	0.0206525	0.129078	0.258157	0.516314
2383	0.000143112	0.00500891	0.005152022	0.0206081	0.128801	0.257601	0.515202
2384	0.000142804	0.00499814	0.005140944	0.0205638	0.128524	0.257047	0.514094
2385	0.000142497	4.99E-03	5.13E-03	0.0205195	0.128247	0.256494	0.512989
2386	0.000142191	4.98E-03	5.12E-03	0.0204754	0.127971	0.255943	0.511886
2387	0.000141885	4.97E-03	5.11E-03	0.0204314	0.127696	0.255393	0.510785
2388	0.000141580	4.96E-03	5.10E-03	0.0203875	0.127422	0.254844	0.509688
2389	0.000141276	4.94E-03	5.09E-03	0.0203437	0.127148	0.254297	0.508593
2390	0.000140973	4.93E-03	5.08E-03	0.0203001	0.126875	0.253751	0.507501
2391	0.000140671	4.92E-03	5.06E-03	0.0202565	0.126603	0.253206	0.506412
2392	0.000140368	4.91E-03	5.05E-03	0.0202131	0.126331	0.252663	0.505325
2393	0.000140067	4.90E-03	5.04E-03	0.0201696	0.126060	0.252121	0.504241
2394	0.000139767	4.89E-03	5.03E-03	0.0201264	0.125790	0.251580	0.503160
2395	0.000139467	4.88E-03	5.02E-03	0.0200832	0.125522	0.251040	0.502081
2396	0.000139168	4.87E-03	5.01E-03	0.0200402	0.125255	0.250503	0.501005
2397	0.000138871	4.86E-03	5.00E-03	0.0199973	0.124988	0.249966	0.499931
2398	0.000138572	4.85E-03	4.99E-03	0.0199544	0.124715	0.249430	0.498861
2399	0.000138276	4.84E-03	4.98E-03	0.0199117	0.124448	0.248896	0.497792
2400	0.000137981	4.83E-03	4.97E-03	0.0198691	0.124182	0.248363	0.496727
2401	0.000137684	4.82E-03	4.96E-03	0.0198266	0.123916	0.247832	0.495664
2402	0.000137389	4.81E-03	4.95E-03	0.0197841	0.123651	0.247302	0.494604
2403	0.000137096	4.80E-03	4.94E-03	0.0197418	0.123386	0.246773	0.493546
2404	0.000136803	4.79E-03	4.92E-03	0.0196996	0.123123	0.246245	0.492491
2405	0.000136511	4.78E-03	4.91E-03	0.0196575	0.122859	0.245719	0.491438
2406	0.000136219	4.77E-03	4.90E-03	0.0196155	0.122597	0.245194	0.490388
2407	0.000135928	4.76E-03	4.89E-03	0.0195736	0.122335	0.244670	0.489334
2408	0.000135638	4.75E-03	4.88E-03	0.0195318	0.122074	0.244148	0.488296
2409	0.000135348	4.74E-03	4.87E-03	0.0194901	0.121813	0.243627	0.487253
2410	0.000135059	4.73E-03	4.86E-03	0.0194485	0.121553	0.243107	0.486214
2411	0.000134771	4.72E-03	4.85E-03	0.0194070	0.121294	0.242588	0.485176
2412	0.000134484	4.71E-03	4.84E-03	0.0193657	0.121035	0.242071	0.484142
2413	0.000134197	4.70E-03	4.83E-03	0.0193244	0.120777	0.241555	0.483109
2414	0.000133911	4.69E-03	4.82E-03	0.0192832	0.120520	0.241040	0.482080
2415	0.000133626	4.68E-03	4.81E-03	0.0192421	0.120263	0.240526	0.481053
2416	0.000133341	4.67E-03	4.80E-03	0.0192011	0.120007	0.240014	0.480028
2417	0.000133057	4.66E-03	4.79E-03	0.0191602	0.119751	0.239503	0.479006
2418	0.000132774	4.65E-03	4.78E-03	0.0191194	0.119497	0.238993	0.477986
2419	0.000132491	4.64E-03	4.77E-03	0.0190788	0.119242	0.238484	0.476969

2420	0.00013221	4.63E-03	4.76E-03	0.0190382	0.118989	0.237977	0.475954
2421	0.000131928	4.62E-03	4.75E-03	0.0189977	0.118735	0.237471	0.474942
2422	0.000131648	4.61E-03	4.74E-03	0.0189573	0.118483	0.236966	0.473932
2423	0.000131368	4.60E-03	4.73E-03	0.018917	0.118231	0.236462	0.472925
2424	0.000131089	4.59E-03	4.72E-03	0.0188768	0.11798	0.23596	0.47192
2425	0.00013081	4.58E-03	4.71E-03	0.0188367	0.117729	0.235459	0.470918
2426	0.000130533	4.57E-03	4.70E-03	0.0187967	0.117479	0.234959	0.469918
2427	0.000130256	4.56E-03	4.69E-03	0.0187568	0.11723	0.23446	0.46892
2428	0.000129979	4.55E-03	4.68E-03	0.018717	0.116981	0.233963	0.467925
2429	0.000129703	4.54E-03	4.67E-03	0.0186773	0.116733	0.233466	0.466932
2430	0.000129428	4.53E-03	4.66E-03	0.0186377	0.116486	0.232971	0.465942
2431	0.000129154	4.52E-03	4.65E-03	0.0185982	0.116239	0.232477	0.464954
2432	0.00012888	4.51E-03	4.64E-03	0.0185588	0.115992	0.231985	0.463969
2433	0.000128607	4.50E-03	4.63E-03	0.0185194	0.115746	0.231493	0.462986
2434	0.000128335	4.49E-03	4.62E-03	0.0184802	0.115501	0.231003	0.462005
2435	0.000128063	4.48E-03	4.61E-03	0.0184411	0.115257	0.230513	0.461027
2436	0.000127792	4.47E-03	4.60E-03	0.018402	0.115013	0.230026	0.460051
2437	0.000127521	4.46E-03	4.59E-03	0.0183631	0.114769	0.229539	0.459077
2438	0.000127252	4.45E-03	4.58E-03	0.0183243	0.114527	0.229053	0.458106
2439	0.000126983	4.44E-03	4.57E-03	0.0182855	0.114284	0.228569	0.457137
2440	0.000126714	4.44E-03	4.56E-03	0.0182468	0.114043	0.228086	0.456171
2441	0.000126446	4.43E-03	4.55E-03	0.0182083	0.113802	0.227603	0.455207
2442	0.000126179	4.42E-03	4.54E-03	0.0181698	0.113561	0.227123	0.454245
2443	0.000125913	4.41E-03	4.53E-03	0.0181314	0.113321	0.226643	0.453285
2444	0.000125647	4.40E-03	4.52E-03	0.0180931	0.113082	0.226164	0.452328
2445	0.000125382	4.39E-03	4.51E-03	0.0180549	0.112843	0.225687	0.451373
2446	0.000125117	4.38E-03	4.50E-03	0.0180168	0.112605	0.225211	0.450421
2447	0.000124853	4.37E-03	4.49E-03	0.0179788	0.112368	0.224735	0.449471
2448	0.00012459	4.36E-03	4.49E-03	0.0179409	0.112131	0.224261	0.448523
2449	0.000124327	4.35E-03	4.48E-03	0.0179031	0.111894	0.223789	0.447577
2450	0.000124065	4.34E-03	4.47E-03	0.0178654	0.111658	0.223317	0.446634
2451	0.000123804	4.33E-03	4.46E-03	0.0178277	0.111423	0.222846	0.445693
2452	0.000123543	4.32E-03	4.45E-03	0.0177902	0.111189	0.222377	0.444754
2453	0.000123283	4.31E-03	4.44E-03	0.0177527	0.110954	0.221909	0.443817
2454	0.000123023	4.31E-03	4.43E-03	0.0177153	0.110721	0.221442	0.442883
2455	0.000122764	4.30E-03	4.42E-03	0.0176778	0.110488	0.220976	0.441951
2456	0.000122506	4.29E-03	4.41E-03	0.0176409	0.110255	0.220511	0.441022
2457	0.000122248	4.28E-03	4.40E-03	0.0176038	0.110023	0.220047	0.440094
2458	0.000121991	4.27E-03	4.39E-03	0.0175668	0.109792	0.219584	0.439169
2459	0.000121735	4.26E-03	4.38E-03	0.0175298	0.109561	0.219123	0.438246
2460	0.000121479	4.25E-03	4.37E-03	0.017493	0.109331	0.218662	0.437325
2461	0.000121224	4.24E-03	4.36E-03	0.0174562	0.109102	0.218203	0.436406
2462	0.000120969	4.23E-03	4.35E-03	0.0174196	0.108872	0.217745	0.43549
2463	0.000120715	4.23E-03	4.35E-03	0.017383	0.108644	0.217288	0.434576
2464	0.000120462	4.22E-03	4.34E-03	0.0173466	0.108416	0.216832	0.433664
2465	0.000120209	4.21E-03	4.33E-03	0.0173102	0.108188	0.216377	0.432754
2466	0.000119957	4.20E-03	4.32E-03	0.0172739	0.107962	0.215923	0.431846
2467	0.000119706	4.19E-03	4.31E-03	0.0172376	0.107735	0.21547	0.430941
2468	0.000119455	4.18E-03	4.30E-03	0.0172015	0.107509	0.215019	0.430038
2469	0.000119205	4.17E-03	4.29E-03	0.0171655	0.107284	0.214568	0.429137
2470	0.000118955	4.16E-03	4.28E-03	0.0171295	0.107059	0.214119	0.428238
2471	0.000118706	4.15E-03	4.27E-03	0.0170936	0.106835	0.213671	0.427341
2472	0.000118457	4.15E-03	4.26E-03	0.0170579	0.106612	0.213223	0.426447
2473	0.000118209	4.14E-03	4.26E-03	0.0170222	0.106389	0.212777	0.425554
2474	0.000117962	4.13E-03	4.25E-03	0.0169866	0.106166	0.212332	0.424664
2475	0.000117715	4.12E-03	4.24E-03	0.016951	0.105944	0.211888	0.423776
2476	0.000117469	4.11E-03	4.23E-03	0.0169156	0.105722	0.211445	0.42289
2477	0.000117224	4.10E-03	4.22E-03	0.0168802	0.105501	0.211003	0.422006
2478	0.000116979	4.09E-03	4.21E-03	0.0168445	0.105281	0.210562	0.421124
2479	0.000116735	4.09E-03	4.20E-03	0.0168089	0.105061	0.210122	0.420244
2480	0.000116491	4.08E-03	4.19E-03	0.0167747	0.104842	0.209684	0.419367
2481	0.000116248	4.07E-03	4.18E-03	0.0167397	0.104623	0.209246	0.418491
2482	0.000116005	4.06E-03	4.18E-03	0.0167047	0.104405	0.208809	0.417618
2483	0.000115763	4.05E-03	4.17E-03	0.0166699	0.104187	0.208373	0.416747
2484	0.000115522	4.04E-03	4.16E-03	0.0166351	0.103969	0.207939	0.415878
2485	0.000115281	4.03E-03	4.15E-03	0.0166004	0.103753	0.207505	0.415011
2486	0.000115041	4.03E-03	4.14E-03	0.0165658	0.103536	0.207073	0.414146
2487	0.000114801	4.02E-03	4.13E-03	0.0165313	0.103321	0.206641	0.413283
2488	0.000114562	4.01E-03	4.12E-03	0.0164969	0.103106	0.206211	0.412422
2489	0.000114323	4.00E-03	4.12E-03	0.0164625	0.102891	0.205782	0.411563
2490	0.000114085	3.99E-03	4.11E-03	0.0164283	0.102677	0.205353	0.410707
2491	0.000113848	3.98E-03	4.10E-03	0.0163941	0.102463	0.204926	0.409852
2492	0.000113611	3.98E-03	4.09E-03	0.01636	0.10225	0.2045	0.408999

2493	0.000113375	3.97E-03	4.08E-03	0.0163259	0.102037	0.204074	0.408148
2494	0.000113139	3.96E-03	4.07E-03	0.016292	0.101825	0.20365	0.4073
2495	0.000112904	3.95E-03	4.06E-03	0.0162581	0.101613	0.203227	0.406453
2496	0.000112669	3.94E-03	4.06E-03	0.0162244	0.101402	0.202804	0.405609
2497	0.000112435	3.94E-03	4.05E-03	0.0161907	0.101192	0.202383	0.404766
2498	0.000112202	3.93E-03	4.04E-03	0.016157	0.100981	0.201963	0.403926
2499	0.000111969	3.92E-03	4.03E-03	0.0161235	0.100772	0.201544	0.403087
2500	0.000111736	3.91E-03	4.02E-03	0.01609	0.100563	0.201125	0.402251
2501	0.000111505	3.90E-03	4.01E-03	0.0160567	0.100354	0.200708	0.401416
2502	0.000111273	3.89E-03	4.01E-03	0.0160234	0.100146	0.200292	0.400584
2503	0.000111043	3.89E-03	4.00E-03	0.0159901	0.0999383	0.199877	0.399753
2504	0.000110812	3.88E-03	3.99E-03	0.015957	0.0997312	0.199462	0.398925
2505	0.000110583	3.87E-03	3.98E-03	0.0159239	0.0995245	0.199049	0.398098
2506	0.000110354	3.86E-03	3.97E-03	0.0158909	0.0993184	0.198637	0.397274
2507	0.000110125	3.85E-03	3.96E-03	0.015858	0.0991127	0.198225	0.396451
2508	0.000109897	3.85E-03	3.96E-03	0.0158252	0.0989076	0.197815	0.39563
2509	0.00010967	3.84E-03	3.95E-03	0.0157925	0.0987029	0.197406	0.394811
2510	0.000109443	3.83E-03	3.94E-03	0.0157598	0.0984987	0.196997	0.393995
2511	0.000109217	3.82E-03	3.93E-03	0.0157272	0.098295	0.19659	0.39318
2512	0.000108991	3.81E-03	3.92E-03	0.0156947	0.0980918	0.196184	0.392367
2513	0.000108766	3.81E-03	3.92E-03	0.0156622	0.097889	0.195778	0.391556
2514	0.000108541	3.80E-03	3.91E-03	0.0156299	0.0976868	0.195374	0.390747
2515	0.000108317	3.79E-03	3.90E-03	0.0155976	0.097485	0.19497	0.38994
2516	0.000108093	3.78E-03	3.89E-03	0.0155654	0.0972837	0.194567	0.389135
2517	0.00010787	3.78E-03	3.88E-03	0.0155333	0.0970828	0.194166	0.388331
2518	0.000107647	3.77E-03	3.88E-03	0.0155012	0.0968825	0.193765	0.38753
2519	0.000107425	3.76E-03	3.87E-03	0.0154692	0.0966826	0.193365	0.38673
2520	0.000107204	3.75E-03	3.86E-03	0.0154373	0.0964833	0.192967	0.385933
2521	0.000106983	3.74E-03	3.85E-03	0.0154055	0.0962843	0.192569	0.385137
2522	0.000106762	3.74E-03	3.84E-03	0.0153737	0.0960859	0.192172	0.384344
2523	0.000106542	3.73E-03	3.84E-03	0.0153421	0.0958879	0.191776	0.383551
2524	0.000106323	3.72E-03	3.83E-03	0.0153105	0.0956904	0.191381	0.382762
2525	0.000106104	3.71E-03	3.82E-03	0.0152789	0.0954933	0.190987	0.381973
2526	0.000105885	3.71E-03	3.81E-03	0.0152475	0.0952968	0.190594	0.381187
2527	0.000105667	3.70E-03	3.80E-03	0.0152161	0.0951006	0.190201	0.380402
2528	0.00010545	3.69E-03	3.80E-03	0.0151848	0.094905	0.18981	0.37962
2529	0.000105233	3.68E-03	3.79E-03	0.0151536	0.0947098	0.18942	0.378839
2530	0.000105017	3.68E-03	3.78E-03	0.0151224	0.0945151	0.18903	0.37806
2531	0.000104801	3.67E-03	3.77E-03	0.0150913	0.0943208	0.188642	0.377283
2532	0.000104586	3.66E-03	3.77E-03	0.0150603	0.094127	0.188254	0.376508
2533	0.000104371	3.65E-03	3.76E-03	0.0150294	0.0939337	0.187867	0.375735
2534	0.000104156	3.65E-03	3.75E-03	0.0149985	0.0937408	0.187482	0.374963
2535	0.000103943	3.64E-03	3.74E-03	0.0149677	0.0935483	0.187097	0.374193
2536	0.000103729	3.63E-03	3.73E-03	0.014937	0.0933564	0.186713	0.373426
2537	0.000103516	3.62E-03	3.73E-03	0.0149064	0.0931648	0.18633	0.372659
2538	0.000103304	3.62E-03	3.72E-03	0.0148758	0.0929738	0.185948	0.371895
2539	0.000103092	3.61E-03	3.71E-03	0.0148453	0.0927831	0.185566	0.371133
2540	0.000102881	3.60E-03	3.70E-03	0.0148149	0.092593	0.185186	0.370372
2541	0.00010267	3.59E-03	3.70E-03	0.0147845	0.0924032	0.184806	0.369613
2542	0.00010246	3.59E-03	3.69E-03	0.0147542	0.092214	0.184428	0.368856
2543	0.00010225	3.58E-03	3.68E-03	0.014724	0.0920251	0.18405	0.368101
2544	0.000102041	3.57E-03	3.67E-03	0.0146939	0.0918368	0.183674	0.367347
2545	0.000101832	3.56E-03	3.67E-03	0.0146638	0.0916488	0.183298	0.366595
2546	0.000101624	3.56E-03	3.66E-03	0.0146338	0.0914614	0.182923	0.365845
2547	0.000101416	3.55E-03	3.65E-03	0.0146039	0.0912743	0.182549	0.365097
2548	0.000101209	3.54E-03	3.64E-03	0.014574	0.0910877	0.182175	0.364351
2549	0.000101002	3.54E-03	3.64E-03	0.0145442	0.0909015	0.181803	0.363606
2550	0.000100795	3.53E-03	3.63E-03	0.0145145	0.0907158	0.181432	0.362863
2551	0.000100589	3.52E-03	3.62E-03	0.0144849	0.0905304	0.181061	0.362122
2552	0.000100384	3.51E-03	3.61E-03	0.0144553	0.0903456	0.180691	0.361383
2553	0.000100179	3.51E-03	3.61E-03	0.0144258	0.0901612	0.180322	0.360645
2554	1.00E-04	3.50E-03	3.60E-03	0.0143964	0.0899772	0.179954	0.359909
2555	9.98E-05	3.49E-03	3.59E-03	0.014367	0.0897936	0.179587	0.359174
2556	9.96E-05	3.48E-03	3.58E-03	0.0143377	0.0896105	0.179221	0.358442
2557	9.94E-05	3.48E-03	3.58E-03	0.0143084	0.0894278	0.178856	0.357711
2558	9.92E-05	3.47E-03	3.57E-03	0.0142793	0.0892455	0.178491	0.356982
2559	9.90E-05	3.46E-03	3.56E-03	0.0142502	0.0890636	0.178127	0.356255
2560	9.88E-05	3.46E-03	3.56E-03	0.0142212	0.0888823	0.177765	0.355529
2561	9.86E-05	3.45E-03	3.55E-03	0.0141922	0.0887012	0.177402	0.354805
2562	9.84E-05	3.44E-03	3.54E-03	0.0141633	0.0885207	0.177041	0.354083
2563	9.82E-05	3.44E-03	3.53E-03	0.0141345	0.0883405	0.176681	0.353362
2564	9.80E-05	3.43E-03	3.53E-03	0.0141057	0.0881608	0.176322	0.352643
2565	9.78E-05	3.42E-03	3.52E-03	0.014077	0.0879815	0.175963	0.351926

2566	9.76E-05	3.41E-03	3.51E-03	0.0140484	0.0878027	0.175605	0.351211
2567	9.74E-05	3.41E-03	3.50E-03	0.0140199	0.0876241	0.175248	0.350497
2568	9.72E-05	3.40E-03	3.50E-03	0.0139914	0.0874461	0.174892	0.349785
2569	9.70E-05	3.39E-03	3.49E-03	0.013963	0.0872685	0.174537	0.349074
2570	9.68E-05	3.39E-03	3.48E-03	0.0139346	0.0870913	0.174183	0.348365
2571	9.66E-05	3.38E-03	3.48E-03	0.0139063	0.0869145	0.173829	0.347658
2572	9.64E-05	3.37E-03	3.47E-03	0.0138781	0.0867381	0.173476	0.346953
2573	9.62E-05	3.37E-03	3.46E-03	0.0138499	0.0865621	0.173124	0.346248
2574	9.60E-05	3.36E-03	3.46E-03	0.0138219	0.0863866	0.172773	0.345546
2575	9.58E-05	3.35E-03	3.45E-03	0.0137938	0.0862114	0.172423	0.344846
2576	9.56E-05	3.35E-03	3.44E-03	0.0137659	0.0860367	0.172073	0.344147
2577	9.54E-05	3.34E-03	3.43E-03	0.013738	0.0858623	0.171725	0.343449
2578	9.52E-05	3.33E-03	3.43E-03	0.0137102	0.0856885	0.171377	0.342754
2579	9.50E-05	3.33E-03	3.42E-03	0.0136824	0.0855149	0.17103	0.34206
2580	9.48E-05	3.32E-03	3.41E-03	0.0136547	0.0853418	0.170684	0.341367
2581	9.46E-05	3.31E-03	3.41E-03	0.0136271	0.0851691	0.170338	0.340676
2582	9.44E-05	3.31E-03	3.40E-03	0.0135995	0.0849968	0.169994	0.339987
2583	9.42E-05	3.30E-03	3.39E-03	0.013572	0.0848249	0.16965	0.339299
2584	9.41E-05	3.29E-03	3.39E-03	0.0135445	0.0846534	0.169307	0.338614
2585	9.39E-05	3.29E-03	3.38E-03	0.0135172	0.0844822	0.168964	0.337929
2586	9.37E-05	3.28E-03	3.37E-03	0.0134899	0.0843116	0.168623	0.337246
2587	9.35E-05	3.27E-03	3.37E-03	0.0134626	0.0841412	0.168282	0.336565
2588	9.33E-05	3.27E-03	3.36E-03	0.0134354	0.0839714	0.167943	0.335885
2589	9.31E-05	3.26E-03	3.35E-03	0.0134083	0.0838018	0.167604	0.335207
2590	9.29E-05	3.25E-03	3.35E-03	0.0133812	0.0836327	0.167265	0.334531
2591	9.27E-05	3.25E-03	3.34E-03	0.0133542	0.083464	0.166928	0.333856
2592	9.26E-05	3.24E-03	3.33E-03	0.0133273	0.0832957	0.166591	0.333183
2593	9.24E-05	3.23E-03	3.33E-03	0.0133004	0.0831277	0.166255	0.332511
2594	9.22E-05	3.23E-03	3.32E-03	0.0132736	0.0829602	0.16592	0.331841
2595	9.20E-05	3.22E-03	3.31E-03	0.0132469	0.082793	0.165586	0.331172
2596	9.18E-05	3.21E-03	3.31E-03	0.0132202	0.0826262	0.165252	0.330505
2597	9.16E-05	3.21E-03	3.30E-03	0.0131936	0.0824598	0.16492	0.329839
2598	9.14E-05	3.20E-03	3.29E-03	0.013167	0.0822938	0.164588	0.329175
2599	9.13E-05	3.19E-03	3.29E-03	0.0131405	0.0821282	0.164256	0.328513
2600	9.11E-05	3.19E-03	3.28E-03	0.0131141	0.081963	0.163926	0.327852
2601	9.09E-05	3.18E-03	3.27E-03	0.0130877	0.0817981	0.163596	0.327192
2602	9.07E-05	3.17E-03	3.27E-03	0.0130614	0.0816337	0.163267	0.326535
2603	9.05E-05	3.17E-03	3.26E-03	0.0130351	0.0814696	0.162939	0.325878
2604	9.03E-05	3.16E-03	3.25E-03	0.0130089	0.0813059	0.162612	0.325224
2605	9.02E-05	3.16E-03	3.25E-03	0.0129828	0.0811425	0.162285	0.32457
2606	9.00E-05	3.15E-03	3.24E-03	0.0129567	0.0809796	0.161959	0.323918
2607	8.98E-05	3.14E-03	3.23E-03	0.0129307	0.080817	0.161634	0.323268
2608	8.96E-05	3.14E-03	3.23E-03	0.0129048	0.0806549	0.16131	0.322619
2609	8.94E-05	3.13E-03	3.22E-03	0.0128789	0.080493	0.160986	0.321972
2610	8.93E-05	3.12E-03	3.21E-03	0.0128531	0.0803316	0.160663	0.321326
2611	8.91E-05	3.12E-03	3.21E-03	0.0128273	0.0801705	0.160341	0.320682
2612	8.89E-05	3.11E-03	3.20E-03	0.0128016	0.0800098	0.16002	0.320039
2613	8.87E-05	3.11E-03	3.19E-03	0.0127759	0.0798495	0.159699	0.319398
2614	8.85E-05	3.10E-03	3.19E-03	0.0127503	0.0796896	0.159379	0.318758
2615	8.84E-05	3.09E-03	3.18E-03	0.0127248	0.0795299	0.15906	0.31812
2616	8.82E-05	3.09E-03	3.17E-03	0.0126993	0.0793708	0.158742	0.317483
2617	8.80E-05	3.08E-03	3.17E-03	0.0126739	0.0792119	0.158424	0.316848
2618	8.78E-05	3.07E-03	3.16E-03	0.0126486	0.0790534	0.158107	0.316214
2619	8.77E-05	3.07E-03	3.16E-03	0.0126232	0.0788953	0.157791	0.315581
2620	8.75E-05	3.06E-03	3.15E-03	0.012598	0.0787376	0.157475	0.31495
2621	8.73E-05	3.06E-03	3.14E-03	0.0125728	0.0785802	0.15716	0.314321
2622	8.71E-05	3.05E-03	3.14E-03	0.0125477	0.0784232	0.156846	0.313693
2623	8.70E-05	3.04E-03	3.13E-03	0.0125226	0.0782665	0.156533	0.313066
2624	8.68E-05	3.04E-03	3.12E-03	0.0124976	0.0781102	0.15622	0.312441
2625	8.66E-05	3.03E-03	3.12E-03	0.0124727	0.0779542	0.155908	0.311817
2626	8.64E-05	3.03E-03	3.11E-03	0.0124478	0.0777987	0.155597	0.311195
2627	8.63E-05	3.02E-03	3.11E-03	0.012423	0.0776435	0.155287	0.310574
2628	8.61E-05	3.01E-03	3.10E-03	0.0123982	0.0774886	0.154977	0.309955
2629	8.59E-05	3.01E-03	3.09E-03	0.0123735	0.0773341	0.154668	0.309336
2630	8.58E-05	3.00E-03	3.09E-03	0.0123488	0.07718	0.15436	0.30872
2631	8.56E-05	3.00E-03	3.08E-03	0.0123242	0.0770261	0.154052	0.308105
2632	8.54E-05	2.99E-03	3.07E-03	0.0122996	0.0768727	0.153745	0.307491
2633	8.52E-05	2.98E-03	3.07E-03	0.0122751	0.0767196	0.153439	0.306878
2634	8.51E-05	2.98E-03	3.06E-03	0.0122507	0.0765669	0.153134	0.306268
2635	8.49E-05	2.97E-03	3.06E-03	0.0122263	0.0764145	0.152829	0.305658
2636	8.47E-05	2.97E-03	3.05E-03	0.012202	0.0762625	0.152525	0.30505
2637	8.46E-05	2.96E-03	3.04E-03	0.0121777	0.0761108	0.152222	0.304443
2638	8.44E-05	2.95E-03	3.04E-03	0.0121535	0.0759595	0.151919	0.303838

2639	8.42E-05	2.95E-03	3.03E-03	0.0121294	0.0758085	0.151617	0.303234
2640	8.41E-05	2.94E-03	3.03E-03	0.0121053	0.0756579	0.151316	0.302631
2641	8.39E-05	2.94E-03	3.02E-03	0.0120812	0.0755075	0.151015	0.30203
2642	8.37E-05	2.93E-03	3.01E-03	0.0120572	0.0753576	0.150715	0.30143
2643	8.36E-05	2.92E-03	3.01E-03	0.0120333	0.075208	0.150416	0.300832
2644	8.34E-05	2.92E-03	3.00E-03	0.0120094	0.0750587	0.150117	0.300235
2645	8.32E-05	2.91E-03	3.00E-03	0.0119856	0.0749098	0.14982	0.299639
2646	8.31E-05	2.91E-03	2.99E-03	0.0119618	0.0747612	0.149522	0.299045
2647	8.29E-05	2.90E-03	2.98E-03	0.0119381	0.074613	0.149226	0.298452
2648	8.27E-05	2.90E-03	2.98E-03	0.0119144	0.0744651	0.14893	0.29786
2649	8.26E-05	2.89E-03	2.97E-03	0.0118908	0.0743175	0.148635	0.29727
2650	8.24E-05	2.88E-03	2.97E-03	0.0118673	0.0741703	0.148341	0.296681
2651	8.22E-05	2.88E-03	2.96E-03	0.0118437	0.0740234	0.148047	0.296094
2652	8.21E-05	2.87E-03	2.96E-03	0.0118203	0.0738769	0.147754	0.295508
2653	8.19E-05	2.87E-03	2.95E-03	0.0117969	0.0737306	0.147461	0.294922
2654	8.18E-05	2.86E-03	2.94E-03	0.0117736	0.0735848	0.14717	0.294339
2655	8.16E-05	2.86E-03	2.94E-03	0.0117503	0.0734392	0.146878	0.293757
2656	8.14E-05	2.85E-03	2.93E-03	0.011727	0.073294	0.146588	0.293176
2657	8.13E-05	2.84E-03	2.93E-03	0.0117039	0.0731491	0.146298	0.292596
2658	8.11E-05	2.84E-03	2.92E-03	0.0116807	0.0730046	0.146009	0.292018
2659	8.10E-05	2.83E-03	2.91E-03	0.0116577	0.0728603	0.145721	0.291441
2660	8.08E-05	2.83E-03	2.91E-03	0.0116346	0.0727165	0.145433	0.290866
2661	8.06E-05	2.82E-03	2.90E-03	0.0116117	0.0725729	0.145146	0.290291
2662	8.05E-05	2.82E-03	2.90E-03	0.0115887	0.0724297	0.144859	0.289719
2663	8.03E-05	2.81E-03	2.89E-03	0.0115659	0.0722867	0.144573	0.289147
2664	8.02E-05	2.81E-03	2.89E-03	0.0115431	0.0721442	0.144288	0.288577
2665	8.00E-05	2.80E-03	2.88E-03	0.0115203	0.0720019	0.144004	0.288008
2666	7.98E-05	2.79E-03	2.87E-03	0.0114976	0.07186	0.14372	0.28744
2667	7.97E-05	2.79E-03	2.87E-03	0.0114749	0.0717183	0.143437	0.286873
2668	7.95E-05	2.78E-03	2.86E-03	0.0114523	0.0715771	0.143154	0.286308
2669	7.94E-05	2.78E-03	2.86E-03	0.0114298	0.0714361	0.142872	0.285744
2670	7.92E-05	2.77E-03	2.85E-03	0.0114073	0.0712955	0.142591	0.285182
2671	7.91E-05	2.77E-03	2.85E-03	0.0113848	0.0711551	0.14231	0.28462
2672	7.89E-05	2.76E-03	2.84E-03	0.0113624	0.0710152	0.14203	0.284061
2673	7.88E-05	2.76E-03	2.84E-03	0.0113401	0.0708754	0.141751	0.283502
2674	7.86E-05	2.75E-03	2.83E-03	0.0113178	0.0707361	0.141472	0.282944
2675	7.84E-05	2.75E-03	2.82E-03	0.0112955	0.070597	0.141194	0.282388
2676	7.83E-05	2.74E-03	2.82E-03	0.0112733	0.0704583	0.140917	0.281833
2677	7.81E-05	2.73E-03	2.81E-03	0.0112512	0.0703198	0.14064	0.281279
2678	7.80E-05	2.73E-03	2.81E-03	0.0112291	0.0701818	0.140364	0.280727
2679	7.78E-05	2.72E-03	2.80E-03	0.011207	0.0700439	0.140088	0.280176
2680	7.77E-05	2.72E-03	2.80E-03	0.011185	0.0699065	0.139813	0.279626
2681	7.75E-05	2.71E-03	2.79E-03	0.0111631	0.0697693	0.139539	0.279077
2682	7.74E-05	2.71E-03	2.79E-03	0.0111412	0.0696325	0.139265	0.27853
2683	7.72E-05	2.70E-03	2.78E-03	0.0111193	0.0694959	0.138992	0.277984
2684	7.71E-05	2.70E-03	2.77E-03	0.0110976	0.0693597	0.138719	0.277439
2685	7.69E-05	2.69E-03	2.77E-03	0.0110758	0.0692237	0.138447	0.276895
2686	7.68E-05	2.69E-03	2.76E-03	0.0110541	0.0690882	0.138176	0.276353
2687	7.66E-05	2.68E-03	2.76E-03	0.0110324	0.0689528	0.137906	0.275811
2688	7.65E-05	2.68E-03	2.75E-03	0.0110109	0.0688178	0.137636	0.275271
2689	7.63E-05	2.67E-03	2.75E-03	0.0109893	0.0686831	0.137366	0.274732
2690	7.62E-05	2.67E-03	2.74E-03	0.0109678	0.0685488	0.137098	0.274195
2691	7.60E-05	2.66E-03	2.74E-03	0.0109463	0.0684146	0.136829	0.273658
2692	7.59E-05	2.66E-03	2.73E-03	0.0109249	0.0682809	0.136562	0.273124
2693	7.57E-05	2.65E-03	2.73E-03	0.0109036	0.0681474	0.136295	0.272589
2694	7.56E-05	2.65E-03	2.72E-03	0.0108823	0.0680142	0.136028	0.272057
2695	7.54E-05	2.64E-03	2.72E-03	0.010861	0.0678813	0.135763	0.271525
2696	7.53E-05	2.63E-03	2.71E-03	0.0108398	0.0677488	0.135498	0.270995
2697	7.51E-05	2.63E-03	2.70E-03	0.0108186	0.0676164	0.135233	0.270466
2698	7.50E-05	2.62E-03	2.70E-03	0.0107975	0.0674845	0.134969	0.269938
2699	7.48E-05	2.62E-03	2.69E-03	0.0107764	0.0673528	0.134706	0.269411
2700	7.47E-05	2.61E-03	2.69E-03	0.0107554	0.0672214	0.134443	0.268886
2701	7.45E-05	2.61E-03	2.68E-03	0.0107344	0.0670903	0.134181	0.268361
2702	7.44E-05	2.60E-03	2.68E-03	0.0107135	0.0669595	0.133919	0.267838
2703	7.43E-05	2.60E-03	2.67E-03	0.0106926	0.066829	0.133658	0.267316
2704	7.41E-05	2.59E-03	2.67E-03	0.0106718	0.0666988	0.133398	0.266795
2705	7.40E-05	2.59E-03	2.66E-03	0.010651	0.0665689	0.133138	0.266276
2706	7.38E-05	2.58E-03	2.66E-03	0.0106303	0.0664393	0.132879	0.265757
2707	7.37E-05	2.58E-03	2.65E-03	0.0106096	0.06631	0.13262	0.26524
2708	7.35E-05	2.57E-03	2.65E-03	0.010589	0.066181	0.132362	0.264724
2709	7.34E-05	2.57E-03	2.64E-03	0.0105683	0.0660522	0.132104	0.264209
2710	7.32E-05	2.56E-03	2.64E-03	0.0105478	0.0659238	0.131848	0.263695
2711	7.31E-05	2.56E-03	2.63E-03	0.0105273	0.0657956	0.131591	0.263182

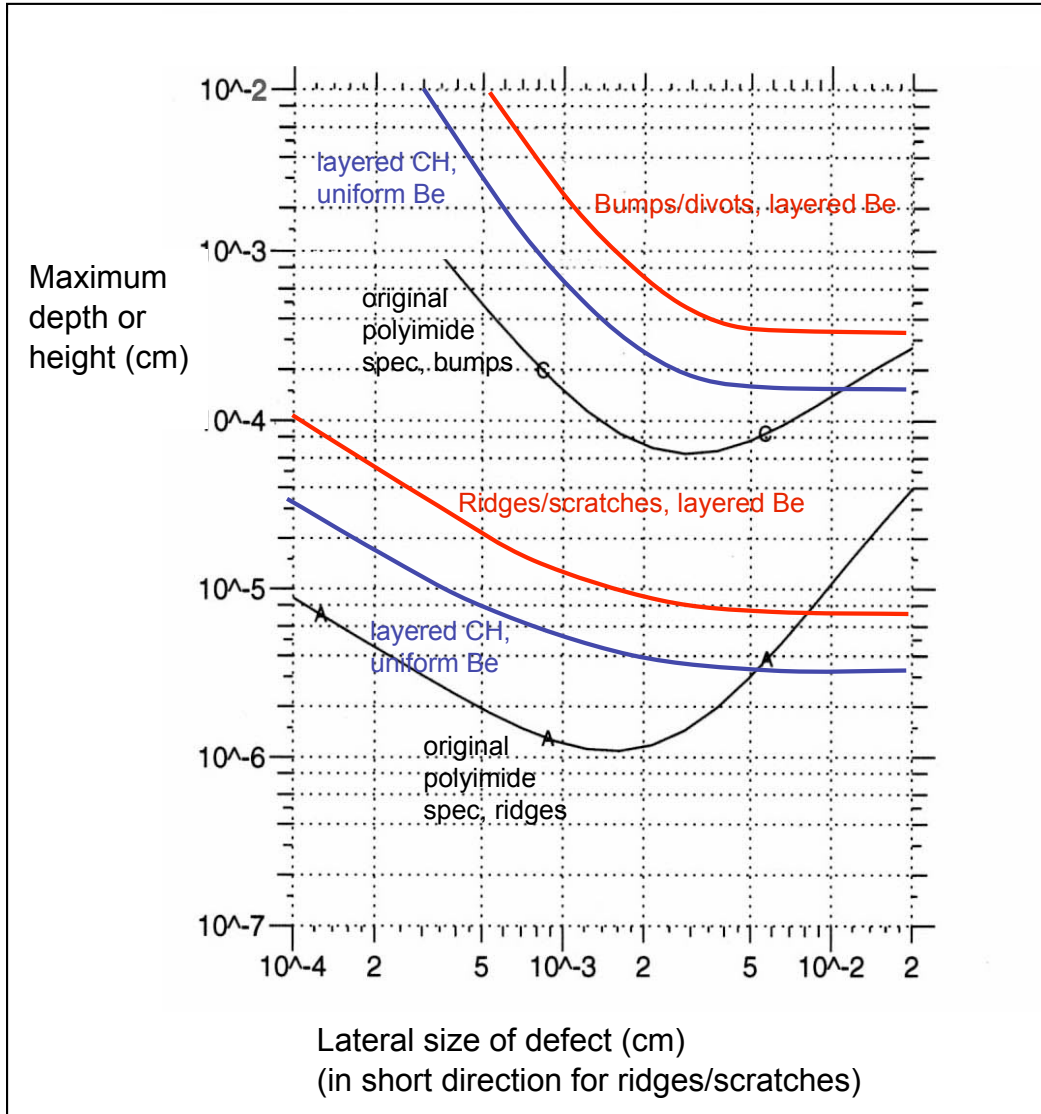
2712	7.30E-05	2.55E-03	2.63E-03	0.0105068	0.0656677	0.131335	0.262671
2713	7.28E-05	2.55E-03	2.62E-03	0.0104864	0.0655401	0.13108	0.26216
2714	7.27E-05	2.54E-03	2.62E-03	0.0104661	0.0654128	0.130826	0.261651
2715	7.25E-05	2.54E-03	2.61E-03	0.0104457	0.0652858	0.130572	0.261143
2716	7.24E-05	2.53E-03	2.61E-03	0.0104255	0.0651591	0.130318	0.260636
2717	7.23E-05	2.53E-03	2.60E-03	0.0104052	0.0650326	0.130065	0.26013
2718	7.21E-05	2.52E-03	2.60E-03	0.010385	0.0649065	0.129813	0.259626
2719	7.20E-05	2.52E-03	2.59E-03	0.0103649	0.0647806	0.129561	0.259122
2720	7.18E-05	2.51E-03	2.59E-03	0.0103448	0.0646655	0.12931	0.25862
2721	7.17E-05	2.51E-03	2.58E-03	0.0103247	0.0645297	0.129059	0.258119
2722	7.16E-05	2.50E-03	2.58E-03	0.0103048	0.0644047	0.128809	0.257619
2723	7.14E-05	2.50E-03	2.57E-03	0.0102848	0.0642799	0.12856	0.25712
2724	7.13E-05	2.49E-03	2.57E-03	0.0102649	0.0641555	0.128311	0.256622
2725	7.11E-05	2.49E-03	2.56E-03	0.010245	0.0640312	0.128062	0.256125
2726	7.10E-05	2.49E-03	2.56E-03	0.0102252	0.0639074	0.127815	0.25563
2727	7.09E-05	2.48E-03	2.55E-03	0.0102054	0.0637837	0.127567	0.255135
2728	7.07E-05	2.48E-03	2.55E-03	0.0101857	0.0636604	0.127321	0.254642
2729	7.06E-05	2.47E-03	2.54E-03	0.010166	0.0635373	0.127075	0.254149
2730	7.05E-05	2.47E-03	2.54E-03	0.0101463	0.0634145	0.126829	0.253658
2731	7.03E-05	2.46E-03	2.53E-03	0.0101267	0.0632919	0.126584	0.253168
2732	7.02E-05	2.46E-03	2.53E-03	0.0101072	0.0631697	0.126339	0.252679
2733	7.01E-05	2.45E-03	2.52E-03	0.0100876	0.0630477	0.126095	0.252191
2734	6.99E-05	2.45E-03	2.52E-03	0.0100682	0.062926	0.125852	0.251704
2735	6.98E-05	2.44E-03	2.51E-03	0.0100487	0.0628045	0.125609	0.251218
2736	6.96E-05	2.44E-03	2.51E-03	0.0100293	0.0626834	0.125367	0.250734
2737	6.95E-05	2.43E-03	2.50E-03	0.01001	0.0625625	0.125125	0.25025
2738	6.94E-05	2.43E-03	2.50E-03	0.00999071	0.0624419	0.124884	0.249768
2739	6.92E-05	2.42E-03	2.49E-03	0.00997144	0.0623215	0.124643	0.249286
2740	6.91E-05	2.42E-03	2.49E-03	0.00995224	0.0622015	0.124403	0.248806
2741	6.90E-05	2.41E-03	2.48E-03	0.00993306	0.0620816	0.124163	0.248326
2742	6.88E-05	2.41E-03	2.48E-03	0.00991394	0.0619621	0.123924	0.247848
2743	6.87E-05	2.41E-03	2.47E-03	0.00989484	0.0618428	0.123686	0.247371
2744	6.86E-05	2.40E-03	2.47E-03	0.00987581	0.0617238	0.123448	0.246895
2745	6.85E-05	2.40E-03	2.46E-03	0.0098568	0.061605	0.12321	0.24642
2746	6.83E-05	2.39E-03	2.46E-03	0.00983785	0.0614866	0.122973	0.245946
2747	6.82E-05	2.39E-03	2.45E-03	0.00981893	0.0613683	0.122737	0.245473
2748	6.81E-05	2.38E-03	2.45E-03	0.00980006	0.0612504	0.122501	0.245002
2749	6.79E-05	2.38E-03	2.45E-03	0.00978122	0.0611326	0.122265	0.244531
2750	6.78E-05	2.37E-03	2.44E-03	0.00976244	0.0610153	0.122031	0.244061
2751	6.77E-05	2.37E-03	2.44E-03	0.00974369	0.060898	0.121796	0.243592
2752	6.75E-05	2.36E-03	2.43E-03	0.00972499	0.0607812	0.121562	0.243125
2753	6.74E-05	2.36E-03	2.43E-03	0.00970632	0.0606645	0.121329	0.242658
2754	6.73E-05	2.35E-03	2.42E-03	0.0096877	0.0605481	0.121096	0.242193
2755	6.71E-05	2.35E-03	2.42E-03	0.00966911	0.060432	0.120864	0.241728
2756	6.70E-05	2.35E-03	2.41E-03	0.00965058	0.0603161	0.120632	0.241264
2757	6.69E-05	2.34E-03	2.41E-03	0.00963207	0.0602005	0.120401	0.240802
2758	6.68E-05	2.34E-03	2.40E-03	0.00961362	0.0600851	0.12017	0.240341
2759	6.66E-05	2.33E-03	2.40E-03	0.0095952	0.05997	0.11994	0.23988
2760	6.65E-05	2.33E-03	2.39E-03	0.00957683	0.0598552	0.11971	0.239421
2761	6.64E-05	2.32E-03	2.39E-03	0.00955849	0.0597406	0.119481	0.238962
2762	6.63E-05	2.32E-03	2.39E-03	0.0095402	0.0596263	0.119253	0.238505
2763	6.61E-05	2.31E-03	2.38E-03	0.00952194	0.0595121	0.119024	0.238049
2764	6.60E-05	2.31E-03	2.38E-03	0.00950374	0.0593983	0.118797	0.237593
2765	6.59E-05	2.31E-03	2.37E-03	0.00948556	0.0592847	0.118569	0.237139
2766	6.57E-05	2.30E-03	2.37E-03	0.00946743	0.0591714	0.118343	0.236686
2767	6.56E-05	2.30E-03	2.36E-03	0.00944933	0.0590583	0.118117	0.236233
2768	6.55E-05	2.29E-03	2.36E-03	0.00943129	0.0589455	0.117891	0.235782
2769	6.54E-05	2.29E-03	2.35E-03	0.00941327	0.0588329	0.117666	0.235332
2770	6.52E-05	2.28E-03	2.35E-03	0.0093953	0.0587206	0.117441	0.234883
2771	6.51E-05	2.28E-03	2.34E-03	0.00937736	0.0586085	0.117217	0.234434
2772	6.50E-05	2.27E-03	2.34E-03	0.00935948	0.0584967	0.116993	0.233987
2773	6.49E-05	2.27E-03	2.34E-03	0.00934162	0.0583851	0.11677	0.23354
2774	6.47E-05	2.27E-03	2.33E-03	0.00932381	0.0582738	0.116548	0.233095
2775	6.46E-05	2.26E-03	2.33E-03	0.00930603	0.0581627	0.116325	0.232651
2776	6.45E-05	2.26E-03	2.32E-03	0.0092883	0.0580519	0.116104	0.232208
2777	6.44E-05	2.25E-03	2.32E-03	0.0092706	0.0579412	0.115882	0.231765
2778	6.43E-05	2.25E-03	2.31E-03	0.00925295	0.0578309	0.115662	0.231324
2779	6.41E-05	2.24E-03	2.31E-03	0.00923533	0.0577208	0.115442	0.230883
2780	6.40E-05	2.24E-03	2.30E-03	0.00921775	0.057611	0.115222	0.230444
2781	6.39E-05	2.24E-03	2.30E-03	0.00920021	0.0575013	0.115003	0.230005
2782	6.38E-05	2.23E-03	2.30E-03	0.00918271	0.057392	0.114784	0.229568
2783	6.36E-05	2.23E-03	2.29E-03	0.00916524	0.0572828	0.114566	0.229131
2784	6.35E-05	2.22E-03	2.29E-03	0.00914783	0.0571739	0.114348	0.228696

2785	6.34E-05	2.22E-03	2.28E-03	0.00913044	0.0570652	0.11413	0.228261
2786	6.33E-05	2.21E-03	2.28E-03	0.0091131	0.0569568	0.113914	0.227827
2787	6.32E-05	2.21E-03	2.27E-03	0.00909578	0.0568486	0.113697	0.227394
2788	6.30E-05	2.21E-03	2.27E-03	0.00907852	0.0567407	0.113481	0.226963
2789	6.29E-05	2.20E-03	2.27E-03	0.00906128	0.056633	0.113266	0.226532
2790	6.28E-05	2.20E-03	2.26E-03	0.00904409	0.0565256	0.113051	0.226102
2791	6.27E-05	2.19E-03	2.26E-03	0.00902693	0.0564183	0.112837	0.225673
2792	6.26E-05	2.19E-03	2.25E-03	0.00900981	0.0563113	0.112623	0.225245
2793	6.24E-05	2.19E-03	2.25E-03	0.00899273	0.0562045	0.112409	0.224818
2794	6.23E-05	2.18E-03	2.24E-03	0.00897569	0.0560981	0.112196	0.224392
2795	6.22E-05	2.18E-03	2.24E-03	0.00895868	0.0559917	0.111983	0.223967
2796	6.21E-05	2.17E-03	2.24E-03	0.00894171	0.0558857	0.111771	0.223543
2797	6.20E-05	2.17E-03	2.23E-03	0.00892478	0.0557798	0.11156	0.223119
2798	6.19E-05	2.17E-03	2.23E-03	0.00890789	0.0556743	0.111349	0.222697
2799	6.17E-05	2.16E-03	2.22E-03	0.00889102	0.0555689	0.111138	0.222276
2800	6.16E-05	2.16E-03	2.22E-03	0.00887421	0.0554638	0.110928	0.221855
2801	6.15E-05	2.15E-03	2.21E-03	0.00885742	0.0553589	0.110718	0.221436
2802	6.14E-05	2.15E-03	2.21E-03	0.00884068	0.0552543	0.110509	0.221017
2803	6.13E-05	2.14E-03	2.21E-03	0.00882397	0.0551498	0.1103	0.220599
2804	6.12E-05	2.14E-03	2.20E-03	0.0088073	0.0550456	0.110091	0.220183
2805	6.10E-05	2.14E-03	2.20E-03	0.00879066	0.0549416	0.109883	0.219766
2806	6.09E-05	2.13E-03	2.19E-03	0.00877406	0.0548379	0.109676	0.219352
2807	6.08E-05	2.13E-03	2.19E-03	0.00875749	0.0547343	0.109469	0.218937
2808	6.07E-05	2.12E-03	2.19E-03	0.00874097	0.0546311	0.109262	0.218524
2809	6.06E-05	2.12E-03	2.18E-03	0.00872448	0.054528	0.109056	0.218112
2810	6.05E-05	2.12E-03	2.18E-03	0.00870803	0.0544252	0.10885	0.217701
2811	6.04E-05	2.11E-03	2.17E-03	0.0086916	0.0543225	0.108645	0.21729
2812	6.02E-05	2.11E-03	2.17E-03	0.00867523	0.0542202	0.10844	0.216881
2813	6.01E-05	2.10E-03	2.16E-03	0.00865887	0.054118	0.108236	0.216472
2814	6.00E-05	2.10E-03	2.16E-03	0.00864257	0.0540161	0.108032	0.216064
2815	5.99E-05	2.10E-03	2.16E-03	0.00862629	0.0539143	0.107829	0.215657
2816	5.98E-05	2.09E-03	2.15E-03	0.00861005	0.0538128	0.107626	0.215251
2817	5.97E-05	2.09E-03	2.15E-03	0.00859384	0.0537115	0.107423	0.214846
2818	5.96E-05	2.08E-03	2.14E-03	0.00857768	0.0536105	0.107221	0.214442
2819	5.95E-05	2.08E-03	2.14E-03	0.00856154	0.0535096	0.107019	0.214039
2820	5.93E-05	2.08E-03	2.14E-03	0.00854545	0.0534091	0.106818	0.213636
2821	5.92E-05	2.07E-03	2.13E-03	0.00852938	0.0533086	0.106617	0.213234
2822	5.91E-05	2.07E-03	2.13E-03	0.00851336	0.0532085	0.106417	0.212834
2823	5.90E-05	2.07E-03	2.12E-03	0.00849736	0.0531085	0.106217	0.212434
2824	5.89E-05	2.06E-03	2.12E-03	0.00848141	0.0530088	0.106018	0.212035
2825	5.88E-05	2.06E-03	2.12E-03	0.00846548	0.0529092	0.105818	0.211637
2826	5.87E-05	2.05E-03	2.11E-03	0.0084496	0.05281	0.10562	0.21124
2827	5.86E-05	2.05E-03	2.11E-03	0.00843373	0.0527108	0.105422	0.210843
2828	5.85E-05	2.05E-03	2.10E-03	0.00841792	0.052612	0.105224	0.210448
2829	5.83E-05	2.04E-03	2.10E-03	0.00840213	0.0525133	0.105027	0.210053
2830	5.82E-05	2.04E-03	2.10E-03	0.00838639	0.0524149	0.10483	0.20966
2831	5.81E-05	2.03E-03	2.09E-03	0.00837066	0.0523166	0.104633	0.209267
2832	5.80E-05	2.03E-03	2.09E-03	0.00835499	0.0522187	0.104437	0.208875
2833	5.79E-05	2.03E-03	2.08E-03	0.00833933	0.0521208	0.104242	0.208483
2834	5.78E-05	2.02E-03	2.08E-03	0.00832373	0.0520233	0.104047	0.208093
2835	5.77E-05	2.02E-03	2.08E-03	0.00830814	0.0519259	0.103852	0.207704
2836	5.76E-05	2.02E-03	2.07E-03	0.0082926	0.0518288	0.103658	0.207315
2837	5.75E-05	2.01E-03	2.07E-03	0.00827708	0.0517318	0.103464	0.206927
2838	5.74E-05	2.01E-03	2.07E-03	0.00826161	0.0516351	0.10327	0.20654
2839	5.73E-05	2.00E-03	2.06E-03	0.00824616	0.0515385	0.103077	0.206154
2840	5.72E-05	2.00E-03	2.06E-03	0.00823076	0.0514422	0.102884	0.205769
2841	5.71E-05	2.00E-03	2.05E-03	0.00821537	0.0513461	0.102692	0.205384
2842	5.69E-05	1.99E-03	2.05E-03	0.00820003	0.0512502	0.1025	0.205001
2843	5.68E-05	1.99E-03	2.05E-03	0.00818472	0.0511545	0.102309	0.204618
2844	5.67E-05	1.99E-03	2.04E-03	0.00816945	0.051059	0.102118	0.204236
2845	5.66E-05	1.98E-03	2.04E-03	0.00815419	0.0509637	0.101927	0.203855
2846	5.65E-05	1.98E-03	2.03E-03	0.00813899	0.0508687	0.101737	0.203475
2847	5.64E-05	1.97E-03	2.03E-03	0.0081238	0.0507738	0.101548	0.203095
2848	5.63E-05	1.97E-03	2.03E-03	0.00810867	0.0506792	0.101358	0.202717
2849	5.62E-05	1.97E-03	2.02E-03	0.00809355	0.0505847	0.101169	0.202339
2850	5.61E-05	1.96E-03	2.02E-03	0.00807847	0.0504905	0.100981	0.201962
2851	5.60E-05	1.96E-03	2.02E-03	0.00806342	0.0503964	0.100793	0.201585
2852	5.59E-05	1.96E-03	2.01E-03	0.00804841	0.0503026	0.100605	0.20121
2853	5.58E-05	1.95E-03	2.01E-03	0.00803342	0.0502089	0.100418	0.200836
2854	5.57E-05	1.95E-03	2.00E-03	0.00801848	0.0501155	0.100231	0.200462
2855	5.56E-05	1.95E-03	2.00E-03	0.00800356	0.0500222	0.100044	0.200089
2856	5.55E-05	1.94E-03	2.00E-03	0.00798868	0.0499292	0.0998585	0.199717
2857	5.54E-05	1.94E-03	1.99E-03	0.00797382	0.0498364	0.0996727	0.199345

2858	5.53E-05	1.93E-03	1.99E-03	0.007959	0.0497438	0.0994875	0.198975
2859	5.52E-05	1.93E-03	1.99E-03	0.00794421	0.0496513	0.0993026	0.198605
2860	5.51E-05	1.93E-03	1.98E-03	0.00792946	0.0495591	0.0991182	0.198236
2861	5.50E-05	1.92E-03	1.98E-03	0.00791473	0.049467	0.0989341	0.197868
2862	5.49E-05	1.92E-03	1.98E-03	0.00790004	0.0493753	0.0987505	0.197501
2863	5.48E-05	1.92E-03	1.97E-03	0.00788537	0.0492836	0.0985671	0.197134
2864	5.47E-05	1.91E-03	1.97E-03	0.00787075	0.0491922	0.0983844	0.196769
2865	5.46E-05	1.91E-03	1.96E-03	0.00785614	0.0491009	0.0982018	0.196404
2866	5.45E-05	1.91E-03	1.96E-03	0.00784158	0.0490099	0.0980198	0.19604
2867	5.44E-05	1.90E-03	1.96E-03	0.00782704	0.048919	0.097838	0.195676
2868	5.43E-05	1.90E-03	1.95E-03	0.00781254	0.0488284	0.0976568	0.195314
2869	5.42E-05	1.90E-03	1.95E-03	0.00779806	0.0487379	0.0974758	0.194952
2870	5.41E-05	1.89E-03	1.95E-03	0.00778363	0.0486477	0.0972954	0.194591
2871	5.40E-05	1.89E-03	1.94E-03	0.00776921	0.0485576	0.0971152	0.19423
2872	5.39E-05	1.88E-03	1.94E-03	0.00775484	0.0484678	0.0969355	0.193871
2873	5.38E-05	1.88E-03	1.94E-03	0.00774049	0.048378	0.0967561	0.193512
2874	5.37E-05	1.88E-03	1.93E-03	0.00772618	0.0482886	0.0965772	0.193154
2875	5.36E-05	1.87E-03	1.93E-03	0.00771188	0.0481993	0.0963985	0.192797
2876	5.35E-05	1.87E-03	1.92E-03	0.00769763	0.0481102	0.0962204	0.192441
2877	5.34E-05	1.87E-03	1.92E-03	0.0076834	0.0480212	0.0960425	0.192085
2878	5.33E-05	1.86E-03	1.92E-03	0.00766921	0.0479326	0.0958652	0.19173
2879	5.32E-05	1.86E-03	1.91E-03	0.00765504	0.047844	0.095688	0.191376
2880	5.31E-05	1.86E-03	1.91E-03	0.00764091	0.0477557	0.0955114	0.191023
2881	5.30E-05	1.85E-03	1.91E-03	0.0076268	0.0476675	0.0953351	0.19067
2882	5.29E-05	1.85E-03	1.90E-03	0.00761274	0.0475796	0.0951592	0.190318
2883	5.28E-05	1.85E-03	1.90E-03	0.00759869	0.0474918	0.0949836	0.189967
2884	5.27E-05	1.84E-03	1.90E-03	0.00758468	0.0474043	0.0948085	0.189617
2885	5.26E-05	1.84E-03	1.89E-03	0.00757069	0.0473168	0.0946337	0.189267
2886	5.25E-05	1.84E-03	1.89E-03	0.00755675	0.0472297	0.0944593	0.188919
2887	5.24E-05	1.83E-03	1.89E-03	0.00754282	0.0471426	0.0942852	0.18857
2888	5.23E-05	1.83E-03	1.88E-03	0.00752893	0.0470558	0.0941117	0.188223
2889	5.22E-05	1.83E-03	1.88E-03	0.00751506	0.0469691	0.0939383	0.187877
2890	5.21E-05	1.82E-03	1.88E-03	0.00750124	0.0468827	0.0937654	0.187531
2891	5.20E-05	1.82E-03	1.87E-03	0.00748742	0.0467964	0.0935928	0.187186
2892	5.19E-05	1.82E-03	1.87E-03	0.00747366	0.0467104	0.0934207	0.186841
2893	5.18E-05	1.81E-03	1.86E-03	0.00745991	0.0466244	0.0932488	0.186498
2894	5.17E-05	1.81E-03	1.86E-03	0.0074462	0.0465387	0.0930775	0.186155
2895	5.16E-05	1.81E-03	1.86E-03	0.00743251	0.0464532	0.0929063	0.185813
2896	5.15E-05	1.80E-03	1.85E-03	0.00741886	0.0463679	0.0927357	0.185471
2897	5.14E-05	1.80E-03	1.85E-03	0.00740522	0.0462826	0.0925653	0.185131
2898	5.13E-05	1.80E-03	1.85E-03	0.00739163	0.0461977	0.0923954	0.184791
2899	5.12E-05	1.79E-03	1.84E-03	0.00737805	0.0461128	0.0922257	0.184451
2900	5.11E-05	1.79E-03	1.84E-03	0.00736452	0.0460283	0.0920565	0.184113
2901	5.10E-05	1.79E-03	1.84E-03	0.007351	0.0459438	0.0918875	0.183775
2902	5.10E-05	1.78E-03	1.83E-03	0.00733753	0.0458595	0.0917191	0.183438
2903	5.09E-05	1.78E-03	1.83E-03	0.00732407	0.0457754	0.0915508	0.183102
2904	5.08E-05	1.78E-03	1.83E-03	0.00731065	0.0456916	0.0913831	0.182766
2905	5.07E-05	1.77E-03	1.82E-03	0.00729725	0.0456078	0.0912156	0.182431
2906	5.06E-05	1.77E-03	1.82E-03	0.00728389	0.0455243	0.0910486	0.182097
2907	5.05E-05	1.77E-03	1.82E-03	0.00727054	0.0454409	0.0908817	0.181763
2908	5.04E-05	1.76E-03	1.81E-03	0.00725724	0.0453577	0.0907155	0.181431
2909	5.03E-05	1.76E-03	1.81E-03	0.00724395	0.0452747	0.0905493	0.181099
2910	5.02E-05	1.76E-03	1.81E-03	0.0072307	0.0451919	0.0903837	0.180767
2911	5.01E-05	1.75E-03	1.80E-03	0.00721747	0.0451092	0.0902183	0.180437
2912	5.00E-05	1.75E-03	1.80E-03	0.00720428	0.0450267	0.0900535	0.180107
2913	4.99E-05	1.75E-03	1.80E-03	0.00719111	0.0449444	0.0898887	0.179777
2914	4.98E-05	1.74E-03	1.79E-03	0.00717797	0.0448623	0.0897246	0.179449
2915	4.98E-05	1.74E-03	1.79E-03	0.00716485	0.0447803	0.0895606	0.179121
2916	4.97E-05	1.74E-03	1.79E-03	0.00715177	0.0446985	0.0893971	0.178794
2917	4.96E-05	1.74E-03	1.78E-03	0.0071387	0.0446169	0.0892338	0.178468
2918	4.95E-05	1.73E-03	1.78E-03	0.00712568	0.0445355	0.089071	0.178142
2919	4.94E-05	1.73E-03	1.78E-03	0.00711267	0.0444542	0.0889084	0.177817
2920	4.93E-05	1.73E-03	1.77E-03	0.0070997	0.0443731	0.0887463	0.177493
2921	4.92E-05	1.72E-03	1.77E-03	0.00708675	0.0442922	0.0885844	0.177169
2922	4.91E-05	1.72E-03	1.77E-03	0.00707384	0.0442115	0.088423	0.176846
2923	4.90E-05	1.72E-03	1.77E-03	0.00706094	0.0441309	0.0882617	0.176523
2924	4.89E-05	1.71E-03	1.76E-03	0.00704808	0.0440505	0.088101	0.176202
2925	4.89E-05	1.71E-03	1.76E-03	0.00703524	0.0439702	0.0879404	0.175881
2926	4.88E-05	1.71E-03	1.76E-03	0.00702243	0.0438902	0.0877804	0.175561
2927	4.87E-05	1.70E-03	1.75E-03	0.00700964	0.0438103	0.0876205	0.175241
2928	4.86E-05	1.70E-03	1.75E-03	0.00699689	0.0437306	0.0874612	0.174922
2929	4.85E-05	1.70E-03	1.75E-03	0.00698416	0.043651	0.087302	0.174604
2930	4.84E-05	1.69E-03	1.74E-03	0.00697146	0.0435716	0.0871433	0.174287

2931	4.83E-05	1.69E-03	1.74E-03	0.00695878	0.0434924	0.0869848	0.17397
2932	4.82E-05	1.69E-03	1.74E-03	0.00694614	0.0434134	0.0868268	0.173654
2933	4.81E-05	1.69E-03	1.73E-03	0.00693351	0.0433345	0.0866689	0.173338
2934	4.81E-05	1.68E-03	1.73E-03	0.00692093	0.0432558	0.0865116	0.173023
2935	4.80E-05	1.68E-03	1.73E-03	0.00690835	0.0431772	0.0863544	0.172709
2936	4.79E-05	1.68E-03	1.72E-03	0.00689582	0.0430989	0.0861977	0.172395
2937	4.78E-05	1.67E-03	1.72E-03	0.00688329	0.0430206	0.0860412	0.172082
2938	4.77E-05	1.67E-03	1.72E-03	0.00687081	0.0429426	0.0858852	0.171777
2939	4.76E-05	1.67E-03	1.71E-03	0.00685834	0.0428646	0.0857293	0.171459
2940	4.75E-05	1.66E-03	1.71E-03	0.00684592	0.042787	0.0855739	0.171148
2941	4.75E-05	1.66E-03	1.71E-03	0.0068335	0.0427094	0.0854187	0.170837
2942	4.74E-05	1.66E-03	1.71E-03	0.00682112	0.042632	0.085264	0.170528
2943	4.73E-05	1.65E-03	1.70E-03	0.00680876	0.0425547	0.0851095	0.170219
2944	4.72E-05	1.65E-03	1.70E-03	0.00679644	0.0424777	0.0849555	0.169911
2945	4.71E-05	1.65E-03	1.70E-03	0.00678412	0.0424008	0.0848016	0.169603
2946	4.70E-05	1.65E-03	1.69E-03	0.00677185	0.0423241	0.0846482	0.169296
2947	4.69E-05	1.64E-03	1.69E-03	0.00675959	0.0422475	0.0844949	0.16899
2948	4.69E-05	1.64E-03	1.69E-03	0.00674737	0.0421711	0.0843422	0.168684
2949	4.68E-05	1.64E-03	1.68E-03	0.00673516	0.0420948	0.0841896	0.168379
2950	4.67E-05	1.63E-03	1.68E-03	0.006723	0.0420187	0.0840375	0.168075
2951	4.66E-05	1.63E-03	1.68E-03	0.00671084	0.0419427	0.0838855	0.167771
2952	4.65E-05	1.63E-03	1.67E-03	0.00669872	0.041867	0.083734	0.167468
2953	4.64E-05	1.63E-03	1.67E-03	0.00668662	0.0417914	0.0835827	0.167165
2954	4.64E-05	1.62E-03	1.67E-03	0.00667455	0.0417159	0.0834319	0.166864
2955	4.63E-05	1.62E-03	1.67E-03	0.0066625	0.0416406	0.0832812	0.166562
2956	4.62E-05	1.62E-03	1.66E-03	0.00665048	0.0415655	0.083131	0.166262
2957	4.61E-05	1.61E-03	1.66E-03	0.00663848	0.0414905	0.082981	0.165962
2958	4.60E-05	1.61E-03	1.66E-03	0.00662651	0.0414157	0.0828314	0.165663
2959	4.59E-05	1.61E-03	1.65E-03	0.00661456	0.041341	0.082682	0.165364
2960	4.59E-05	1.60E-03	1.65E-03	0.00660264	0.0412665	0.082533	0.165066
2961	4.58E-05	1.60E-03	1.65E-03	0.00659074	0.0411921	0.0823842	0.164768
2962	4.57E-05	1.60E-03	1.64E-03	0.00657888	0.041118	0.0822359	0.164472
2963	4.56E-05	1.60E-03	1.64E-03	0.00656702	0.0410439	0.0820878	0.164176
2964	4.55E-05	1.59E-03	1.64E-03	0.00655521	0.04097	0.0819401	0.16388
2965	4.54E-05	1.59E-03	1.64E-03	0.0065434	0.0408963	0.0817925	0.163585
2966	4.54E-05	1.59E-03	1.63E-03	0.00653164	0.0408227	0.0816455	0.163291
2967	4.53E-05	1.58E-03	1.63E-03	0.00651988	0.0407493	0.0814985	0.162997
2968	4.52E-05	1.58E-03	1.63E-03	0.00650817	0.0406761	0.0813521	0.162704
2969	4.51E-05	1.58E-03	1.62E-03	0.00649646	0.0406029	0.0812058	0.162412
2970	4.50E-05	1.58E-03	1.62E-03	0.0064848	0.04053	0.08106	0.16212
2971	4.50E-05	1.57E-03	1.62E-03	0.00647314	0.0404571	0.0809142	0.161828
2972	4.49E-05	1.57E-03	1.62E-03	0.00646152	0.0403845	0.080769	0.161538
2973	4.48E-05	1.57E-03	1.61E-03	0.00644991	0.040312	0.0806239	0.161248
2974	4.47E-05	1.56E-03	1.61E-03	0.00643835	0.0402397	0.0804793	0.160959
2975	4.46E-05	1.56E-03	1.61E-03	0.00642679	0.0401674	0.0803348	0.16067
2976	4.46E-05	1.56E-03	1.60E-03	0.00641527	0.0400954	0.0801908	0.160382
2977	4.45E-05	1.56E-03	1.60E-03	0.00640376	0.0400235	0.0800469	0.160094
2978	4.44E-05	1.55E-03	1.60E-03	0.00639228	0.0399518	0.0799035	0.159807
2979	4.43E-05	1.55E-03	1.60E-03	0.00638082	0.0398801	0.0797603	0.159521
2980	4.42E-05	1.55E-03	1.59E-03	0.0063694	0.0398087	0.0796175	0.159235
2981	4.42E-05	1.55E-03	1.59E-03	0.00635798	0.0397374	0.0794748	0.15895
2982	4.41E-05	1.54E-03	1.59E-03	0.0063466	0.0396663	0.0793326	0.158665
2983	4.40E-05	1.54E-03	1.58E-03	0.00633524	0.0395952	0.0791905	0.158381
2984	4.39E-05	1.54E-03	1.58E-03	0.00632391	0.0395244	0.0790489	0.158098
2985	4.38E-05	1.53E-03	1.58E-03	0.00631259	0.0394537	0.0789074	0.157815
2986	4.38E-05	1.53E-03	1.58E-03	0.00630131	0.0393832	0.0787663	0.157533
2987	4.37E-05	1.53E-03	1.57E-03	0.00629003	0.0393127	0.0786254	0.157251
2988	4.36E-05	1.53E-03	1.57E-03	0.0062788	0.0392425	0.078485	0.15697
2989	4.35E-05	1.52E-03	1.57E-03	0.00626757	0.0391723	0.0783447	0.156689
2990	4.34E-05	1.52E-03	1.56E-03	0.00625639	0.0391024	0.0782048	0.15641
2991	4.34E-05	1.52E-03	1.56E-03	0.00624521	0.0390325	0.0780651	0.15613
2992	4.33E-05	1.52E-03	1.56E-03	0.00623407	0.0389629	0.0779258	0.155852
2993	4.32E-05	1.51E-03	1.56E-03	0.00622293	0.0388933	0.0777867	0.155573
2994	4.31E-05	1.51E-03	1.55E-03	0.00621184	0.038824	0.077648	0.155296
2995	4.31E-05	1.51E-03	1.55E-03	0.00620075	0.0387547	0.0775094	0.155019
2996	4.30E-05	1.50E-03	1.55E-03	0.0061897	0.0386856	0.0773713	0.154743
2997	4.29E-05	1.50E-03	1.54E-03	0.00617866	0.0386166	0.0772333	0.154467
2998	4.28E-05	1.50E-03	1.54E-03	0.00616766	0.0385479	0.0770958	0.154192
2999	4.28E-05	1.50E-03	1.54E-03	0.00615667	0.0384792	0.0769583	0.153917
3000	4.27E-05	1.49E-03	1.54E-03	0.00614571	0.0384107	0.0768214	0.153643

Isolated surface defects - Rev 0

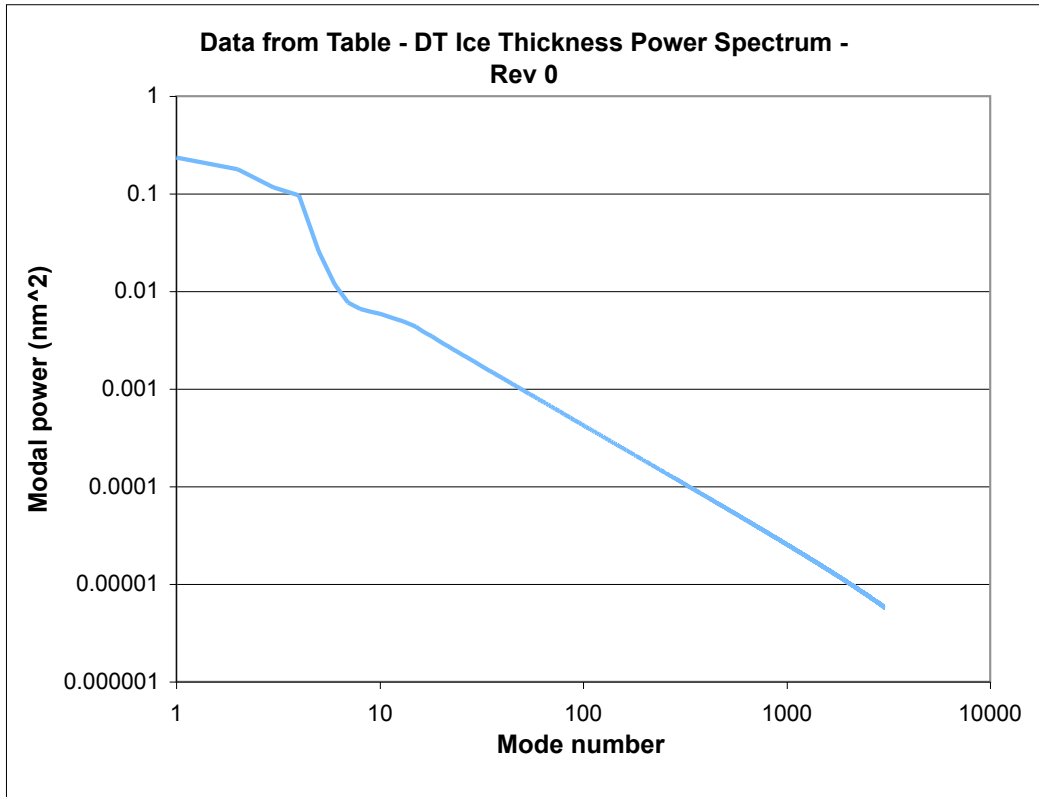


Notes:

Horizontal axis: characteristic FWHM size of defect, in cm, either width if scratch/ridge or diameter if divot/bump
 Upper curves: maximum depth of long defect (scratch or ridge) that has length \gg width. Horizontal axis in plot is FWHM.
 Lower curves: maximum depth of defect that has length \sim width = horizontal axis (bump or divot) FWHM
 Up to 20 defects allowed whose size is between the indicated limits and that limit divided by 3. Up to 100 defects allowed whose size is between the indicated limit/3 and limit/10. Defects smaller and/or more numerous than that are limited by surface roughness specification.

DT layer requirements - Rev 0

Capsule type	Range of possible requested DT layer thickness, μm	Point Design thickness, μm	Thickness tolerance, based on specified thickness, μm
Be(graded doped)	65-85	75	$\pm 3 \mu\text{m}$
CH	65-85	75	$\pm 3 \mu\text{m}$
Be (uniform)	65-85	72	$\pm 3 \mu\text{m}$



DT Ice Thickenss Power Spectrum - Rev 0

Mode	1D trace modal power, μm^2	Two-D modal power, μm^2
1	0.234829	0.16
2	0.177731	0.16
3	0.116558	0.16
4	0.0959921	0.16
5	0.0257543	0.04
6	0.0118326	0.014
7	0.00768883	0.0064
8	0.00661045	0.0049
9	0.00623101	0.0049
10	0.00585909	0.0049
11	0.00554174	0.0049
12	0.00521337	0.0049
13	0.00493286	0.0049
14	0.0046212	0.0049
15	0.00435737	0.0049
16	0.00400084	0.0045
17	0.00370978	0.00413
18	0.00345529	0.00386
19	0.00323105	
20	0.0030321	
21	0.0028545	
22	0.00269506	
23	0.00255122	
24	0.00242084	
25	0.00230217	
26	0.00219373	
27	0.0020943	
28	0.00200283	
29	0.00191841	
30	0.0018403	
31	0.00176781	

32	0.0017004
33	0.00163754
34	0.00157882
35	0.00152384
36	0.00147227
37	0.0014238
38	0.00137818
39	0.00133517
40	0.00129456
41	0.00125615
42	0.00121978
43	0.00118529
44	0.00115254
45	0.00112142
46	0.0010918
47	0.00106358
48	0.00103667
49	0.00101098
50	0.000986432
51	0.000962954
52	0.000940479
53	0.000918946
54	0.0008983
55	0.000878486
56	0.000859458
57	0.000841171
58	0.000823585
59	0.000806659
60	0.00079036
61	0.000774653
62	0.000759509
63	0.000744897
64	0.000730792
65	0.000717168
66	0.000704003
67	0.000691272
68	0.000678957
69	0.000667037
70	0.000655494
71	0.000644312
72	0.000633474
73	0.000622965
74	0.000612771
75	0.000602877
76	0.000593273
77	0.000583944
78	0.00057488
79	0.00056607
80	0.000557505
81	0.000549173
82	0.000541066
83	0.000533175
84	0.000525493
85	0.00051801
86	0.00051072
87	0.000503615
88	0.00049669
89	0.000489936
90	0.000483348
91	0.000476921
92	0.000470648
93	0.000464524
94	0.000458545
95	0.000452704
96	0.000446999

97	0.000441423
98	0.000435973
99	0.000430645
100	0.000425435
101	0.000420338
102	0.000415353
103	0.000410474
104	0.000405699
105	0.000401025
106	0.000396448
107	0.000391965
108	0.000387575
109	0.000383273
110	0.000379058
111	0.000374927
112	0.000370877
113	0.000366907
114	0.000363014
115	0.000359195
116	0.000355449
117	0.000351774
118	0.000348167
119	0.000344628
120	0.000341154
121	0.000337743
122	0.000334394
123	0.000331105
124	0.000327875
125	0.000324702
126	0.000321584
127	0.000318521
128	0.00031551
129	0.000312551
130	0.000309643
131	0.000306783
132	0.000303972
133	0.000301206
134	0.000298487
135	0.000295812
136	0.000293181
137	0.000290591
138	0.000288044
139	0.000285536
140	0.000283069
141	0.00028064
142	0.000278249
143	0.000275894
144	0.000273576
145	0.000271293
146	0.000269045
147	0.00026683
148	0.000264649
149	0.000262499
150	0.000260382
151	0.000258295
152	0.000256239
153	0.000254212
154	0.000252214
155	0.000250245
156	0.000248304
157	0.000246389
158	0.000244502
159	0.000242641
160	0.000240806
161	0.000238995

162	0.00023721
163	0.000235448
164	0.000233711
165	0.000231996
166	0.000230305
167	0.000228635
168	0.000226988
169	0.000225362
170	0.000223757
171	0.000222173
172	0.000220609
173	0.000219065
174	0.000217541
175	0.000216036
176	0.00021455
177	0.000213082
178	0.000211633
179	0.000210201
180	0.000208787
181	0.00020739
182	0.000206011
183	0.000204647
184	0.000203301
185	0.00020197
186	0.000200655
187	0.000199355
188	0.000198071
189	0.000196802
190	0.000195547
191	0.000194307
192	0.000193081
193	0.000191869
194	0.000190672
195	0.000189487
196	0.000188316
197	0.000187158
198	0.000186013
199	0.00018488
200	0.000183761
201	0.000182653
202	0.000181557
203	0.000180474
204	0.000179402
205	0.000178341
206	0.000177292
207	0.000176254
208	0.000175228
209	0.000174212
210	0.000173206
211	0.000172211
212	0.000171227
213	0.000170253
214	0.000169289
215	0.000168334
216	0.00016739
217	0.000166454
218	0.000165529
219	0.000164613
220	0.000163706
221	0.000162807
222	0.000161919
223	0.000161038
224	0.000160167
225	0.000159303
226	0.000158449

227	0.000157602
228	0.000156764
229	0.000155934
230	0.000155112
231	0.000154298
232	0.000153491
233	0.000152692
234	0.000151901
235	0.000151117
236	0.00015034
237	0.000149571
238	0.000148809
239	0.000148053
240	0.000147305
241	0.000146563
242	0.000145829
243	0.0001451
244	0.000144379
245	0.000143664
246	0.000142956
247	0.000142253
248	0.000141557
249	0.000140867
250	0.000140184
251	0.000139506
252	0.000138834
253	0.000138168
254	0.000137508
255	0.000136853
256	0.000136205
257	0.000135561
258	0.000134923
259	0.000134291
260	0.000133664
261	0.000133042
262	0.000132426
263	0.000131814
264	0.000131208
265	0.000130607
266	0.000130011
267	0.00012942
268	0.000128833
269	0.000128252
270	0.000127675
271	0.000127103
272	0.000126535
273	0.000125972
274	0.000125414
275	0.00012486
276	0.000124311
277	0.000123765
278	0.000123225
279	0.000122688
280	0.000122156
281	0.000121627
282	0.000121104
283	0.000120583
284	0.000120068
285	0.000119556
286	0.000119048
287	0.000118544
288	0.000118044
289	0.000117547
290	0.000117055
291	0.000116566

292	0.000116081
293	0.000115599
294	0.000115121
295	0.000114646
296	0.000114176
297	0.000113708
298	0.000113245
299	0.000112784
300	0.000112327
301	0.000111873
302	0.000111423
303	0.000110976
304	0.000110532
305	0.000110091
306	0.000109654
307	0.000109219
308	0.000108788
309	0.00010836
310	0.000107935
311	0.000107512
312	0.000107093
313	0.000106677
314	0.000106264
315	0.000105853
316	0.000105446
317	0.000105041
318	0.000104639
319	0.00010424
320	0.000103844
321	0.00010345
322	0.000103059
323	0.000102671
324	0.000102285
325	0.000101902
326	0.000101522
327	0.000101144
328	0.000100768
329	0.000100395
330	0.000100025
331	9.96572E-05
332	0.000099292
333	9.89288E-05
334	9.85683E-05
335	9.82099E-05
336	9.78542E-05
337	9.75004E-05
338	9.71493E-05
339	9.68002E-05
340	9.64536E-05
341	9.61089E-05
342	9.57669E-05
343	9.54266E-05
344	9.50889E-05
345	0.000094753
346	9.44196E-05
347	9.40879E-05
348	9.37587E-05
349	9.34312E-05
350	9.31062E-05
351	9.27828E-05
352	9.24618E-05
353	9.21425E-05
354	9.18255E-05
355	9.15101E-05
356	0.000091197

357	9.08855E-05
358	9.05763E-05
359	9.02686E-05
360	8.99631E-05
361	8.96592E-05
362	8.93574E-05
363	8.90572E-05
364	8.87591E-05
365	8.84624E-05
366	8.81679E-05
367	8.78748E-05
368	8.75838E-05
369	8.72942E-05
370	8.70067E-05
371	8.67205E-05
372	8.64364E-05
373	8.61536E-05
374	8.58729E-05
375	8.55934E-05
376	8.53159E-05
377	8.50397E-05
378	8.47654E-05
379	8.44924E-05
380	8.42213E-05
381	8.39514E-05
382	8.36835E-05
383	8.34167E-05
384	8.31518E-05
385	8.28881E-05
386	8.26262E-05
387	8.23655E-05
388	8.21066E-05
389	8.18488E-05
390	8.15929E-05
391	0.000081338
392	8.10849E-05
393	8.08328E-05
394	8.05826E-05
395	8.03333E-05
396	8.00859E-05
397	7.98394E-05
398	7.95946E-05
399	7.93509E-05
400	7.91088E-05
401	7.88677E-05
402	7.86284E-05
403	7.83899E-05
404	7.81531E-05
405	7.79172E-05
406	0.000077683
407	7.74497E-05
408	0.000077218
409	7.69872E-05
410	0.000076758
411	7.65296E-05
412	7.63029E-05
413	7.60769E-05
414	7.58526E-05
415	7.56291E-05
416	7.54071E-05
417	7.51859E-05
418	7.49663E-05
419	7.47475E-05
420	7.45301E-05
421	7.43136E-05

422	7.40985E-05
423	7.38842E-05
424	7.36714E-05
425	7.34593E-05
426	7.32486E-05
427	7.30387E-05
428	7.28303E-05
429	7.26225E-05
430	7.24162E-05
431	7.22105E-05
432	7.20063E-05
433	7.18027E-05
434	7.16006E-05
435	7.13991E-05
436	0.000071199
437	7.09995E-05
438	7.08014E-05
439	7.06039E-05
440	7.04078E-05
441	7.02123E-05
442	7.00181E-05
443	6.98246E-05
444	6.96323E-05
445	6.94407E-05
446	6.92503E-05
447	6.90605E-05
448	6.88721E-05
449	6.86842E-05
450	6.84975E-05
451	6.83115E-05
452	6.81266E-05
453	6.79424E-05
454	6.77594E-05
455	6.75769E-05
456	6.73956E-05
457	6.72149E-05
458	6.70354E-05
459	6.68563E-05
460	6.66786E-05
461	6.65012E-05
462	6.63252E-05
463	6.61495E-05
464	6.59751E-05
465	6.58011E-05
466	6.56284E-05
467	0.000065456
468	6.52849E-05
469	6.51142E-05
470	6.49446E-05
471	6.47755E-05
472	6.46076E-05
473	0.00006444
474	6.42736E-05
475	6.41076E-05
476	6.39428E-05
477	6.37783E-05
478	6.36149E-05
479	0.000063452
480	6.32901E-05
481	6.31287E-05
482	6.29683E-05
483	6.28083E-05
484	6.26494E-05
485	6.24908E-05
486	6.23334E-05

487	6.21762E-05
488	6.20202E-05
489	6.18645E-05
490	6.17099E-05
491	6.15555E-05
492	6.14023E-05
493	6.12493E-05
494	6.10974E-05
495	6.09459E-05
496	6.07953E-05
497	6.06451E-05
498	6.04959E-05
499	6.03469E-05
500	0.000060199
501	6.00514E-05
502	5.99048E-05
503	5.97585E-05
504	5.96132E-05
505	5.94681E-05
506	5.93241E-05
507	5.91803E-05
508	5.90375E-05
509	5.88949E-05
510	5.87534E-05
511	0.000058612
512	5.84717E-05
513	5.83316E-05
514	5.81924E-05
515	5.80535E-05
516	5.79155E-05
517	5.77778E-05
518	0.000057641
519	5.75044E-05
520	5.73688E-05
521	5.72334E-05
522	5.70989E-05
523	5.69646E-05
524	5.68312E-05
525	5.66981E-05
526	5.65658E-05
527	5.64338E-05
528	5.63026E-05
529	5.61717E-05
530	5.60416E-05
531	5.59118E-05
532	5.57828E-05
533	0.000055654
534	5.55261E-05
535	5.53983E-05
536	5.52715E-05
537	5.51448E-05
538	0.000055019
539	5.48933E-05
540	5.47685E-05
541	5.46439E-05
542	5.45201E-05
543	5.43965E-05
544	5.42737E-05
545	0.000054151
546	5.40293E-05
547	5.39076E-05
548	5.37868E-05
549	5.36661E-05
550	5.35463E-05
551	5.34266E-05

552	5.33077E-05
553	5.31889E-05
554	0.000053071
555	5.29532E-05
556	5.28362E-05
557	5.27193E-05
558	5.26032E-05
559	5.24872E-05
560	0.000052372
561	0.000052257
562	5.21427E-05
563	5.20285E-05
564	5.19152E-05
565	5.18019E-05
566	5.16894E-05
567	0.000051577
568	5.14654E-05
569	5.13538E-05
570	5.12431E-05
571	5.11324E-05
572	5.10225E-05
573	5.09127E-05
574	5.08036E-05
575	5.06946E-05
576	5.05864E-05
577	5.04782E-05
578	5.03708E-05
579	5.02635E-05
580	5.01569E-05
581	5.00504E-05
582	4.99446E-05
583	4.98389E-05
584	4.97339E-05
585	0.000049629
586	4.95248E-05
587	4.94206E-05
588	4.93172E-05
589	4.92138E-05
590	4.91112E-05
591	4.90086E-05
592	4.89068E-05
593	4.88049E-05
594	4.87038E-05
595	4.86027E-05
596	4.85023E-05
597	0.000048402
598	4.83024E-05
599	4.82027E-05
600	4.81038E-05
601	4.80049E-05
602	4.79068E-05
603	4.78086E-05
604	4.77112E-05
605	4.76137E-05
606	0.000047517
607	4.74202E-05
608	4.73242E-05
609	4.72281E-05
610	4.71328E-05
611	4.70374E-05
612	4.69427E-05
613	4.68481E-05
614	4.67541E-05
615	4.66601E-05
616	4.65668E-05

617	4.64734E-05
618	4.63808E-05
619	4.62881E-05
620	4.61961E-05
621	4.61041E-05
622	4.60128E-05
623	4.59214E-05
624	4.58307E-05
625	0.00004574
626	4.56499E-05
627	4.55598E-05
628	4.54704E-05
629	0.000045381
630	4.52922E-05
631	4.52033E-05
632	4.51152E-05
633	4.50269E-05
634	4.49394E-05
635	4.48518E-05
636	4.47648E-05
637	4.46778E-05
638	4.45914E-05
639	0.000044505
640	4.44193E-05
641	4.43334E-05
642	4.42483E-05
643	0.000044163
644	4.40785E-05
645	4.39938E-05
646	4.39098E-05
647	4.38257E-05
648	4.37423E-05
649	4.36588E-05
650	4.35759E-05
651	4.34929E-05
652	4.34106E-05
653	4.33282E-05
654	4.32465E-05
655	4.31646E-05
656	4.30834E-05
657	4.30021E-05
658	4.29215E-05
659	4.28407E-05
660	4.27606E-05
661	4.26804E-05
662	4.26008E-05
663	4.25211E-05
664	4.24421E-05
665	4.23629E-05
666	4.22844E-05
667	4.22057E-05
668	4.21277E-05
669	4.20496E-05
670	4.19721E-05
671	4.18945E-05
672	4.18175E-05
673	4.17404E-05
674	4.16639E-05
675	4.15873E-05
676	4.15113E-05
677	4.14352E-05
678	4.13597E-05
679	4.12841E-05
680	4.12091E-05
681	4.11339E-05

682	4.10594E-05
683	4.09847E-05
684	4.09107E-05
685	4.08365E-05
686	0.000040763
687	4.06893E-05
688	4.06162E-05
689	4.05429E-05
690	4.04703E-05
691	4.03976E-05
692	4.03254E-05
693	4.02531E-05
694	4.01814E-05
695	4.01095E-05
696	4.00383E-05
697	3.99669E-05
698	3.98961E-05
699	3.98252E-05
700	3.97548E-05
701	3.96843E-05
702	3.96144E-05
703	3.95443E-05
704	3.94749E-05
705	3.94052E-05
706	3.93362E-05
707	0.000039267
708	3.91984E-05
709	3.91296E-05
710	3.90614E-05
711	3.89931E-05
712	3.89253E-05
713	3.88574E-05
714	3.87901E-05
715	3.87226E-05
716	3.86556E-05
717	3.85886E-05
718	0.000038522
719	3.84554E-05
720	3.83892E-05
721	0.000038323
722	3.82573E-05
723	3.81914E-05
724	3.81261E-05
725	3.80606E-05
726	3.79957E-05
727	3.79306E-05
728	3.78661E-05
729	3.78014E-05
730	3.77373E-05
731	0.000037673
732	3.76093E-05
733	3.75453E-05
734	0.000037482
735	3.74185E-05
736	3.73555E-05
737	3.72923E-05
738	3.72297E-05
739	3.71669E-05
740	3.71047E-05
741	3.70423E-05
742	3.69805E-05
743	3.69184E-05
744	3.68569E-05
745	3.67953E-05
746	3.67341E-05

747	3.66728E-05
748	3.66121E-05
749	3.65511E-05
750	3.64907E-05
751	3.64301E-05
752	0.00003637
753	3.63098E-05
754	3.62501E-05
755	3.61902E-05
756	3.61308E-05
757	3.60713E-05
758	3.60123E-05
759	3.59531E-05
760	3.58944E-05
761	3.58356E-05
762	3.57772E-05
763	3.57187E-05
764	3.56607E-05
765	3.56025E-05
766	3.55449E-05
767	0.000035487
768	3.54297E-05
769	3.53722E-05
770	3.53152E-05
771	0.000035258
772	3.52013E-05
773	3.51444E-05
774	3.50881E-05
775	3.50315E-05
776	3.49755E-05
777	3.49193E-05
778	3.48636E-05
779	3.48076E-05
780	3.47523E-05
781	3.46967E-05
782	3.46416E-05
783	3.45863E-05
784	3.45315E-05
785	3.44765E-05
786	3.44221E-05
787	3.43674E-05
788	3.43132E-05
789	3.42589E-05
790	0.000034205
791	3.41509E-05
792	3.40974E-05
793	3.40436E-05
794	3.39904E-05
795	3.39369E-05
796	3.38839E-05
797	3.38307E-05
798	3.37781E-05
799	3.37252E-05
800	3.36728E-05
801	3.36202E-05
802	3.35681E-05
803	3.35158E-05
804	0.000033464
805	0.000033412
806	3.33604E-05
807	3.33087E-05
808	3.32575E-05
809	0.000033206
810	0.000033155
811	3.31038E-05

812	3.30532E-05
813	3.30022E-05
814	3.29518E-05
815	3.29012E-05
816	3.28511E-05
817	3.28007E-05
818	3.27508E-05
819	3.27007E-05
820	3.26512E-05
821	3.26013E-05
822	0.000032552
823	3.25024E-05
824	3.24534E-05
825	3.24041E-05
826	3.23553E-05
827	3.23062E-05
828	3.22577E-05
829	3.22089E-05
830	3.21606E-05
831	3.21121E-05
832	3.20641E-05
833	3.20158E-05
834	0.000031968
835	0.00003192
836	3.18725E-05
837	3.18247E-05
838	3.17775E-05
839	3.17299E-05
840	3.16829E-05
841	3.16356E-05
842	3.15889E-05
843	3.15419E-05
844	3.14953E-05
845	3.14485E-05
846	3.14023E-05
847	3.13557E-05
848	3.13097E-05
849	3.12634E-05
850	3.12176E-05
851	3.11715E-05
852	0.000031126
853	3.10801E-05
854	3.10348E-05
855	3.09892E-05
856	3.09441E-05
857	3.08988E-05
858	3.08539E-05
859	3.08088E-05
860	3.07641E-05
861	3.07192E-05
862	3.06748E-05
863	3.06302E-05
864	0.000030586
865	3.05415E-05
866	3.04976E-05
867	3.04534E-05
868	3.04097E-05
869	3.03657E-05
870	3.03222E-05
871	3.02784E-05
872	3.02351E-05
873	3.01915E-05
874	3.01485E-05
875	3.01051E-05
876	3.00623E-05

877	3.00192E-05
878	2.99765E-05
879	2.99336E-05
880	2.98912E-05
881	2.98485E-05
882	2.98063E-05
883	2.97638E-05
884	2.97218E-05
885	2.96796E-05
886	2.96378E-05
887	2.95957E-05
888	2.95541E-05
889	2.95123E-05
890	2.94709E-05
891	2.94293E-05
892	2.93881E-05
893	2.93467E-05
894	2.93057E-05
895	2.92644E-05
896	2.92237E-05
897	2.91826E-05
898	2.91421E-05
899	2.91012E-05
900	2.90609E-05
901	2.90202E-05
902	2.89801E-05
903	2.89396E-05
904	2.88997E-05
905	2.88594E-05
906	2.88196E-05
907	2.87796E-05
908	0.00002874
909	2.87001E-05
910	2.86608E-05
911	2.86211E-05
912	2.85819E-05
913	2.85424E-05
914	2.85034E-05
915	2.84641E-05
916	2.84253E-05
917	2.83862E-05
918	2.83476E-05
919	2.83086E-05
920	2.82702E-05
921	2.82315E-05
922	2.81932E-05
923	2.81547E-05
924	2.81166E-05
925	2.80782E-05
926	2.80403E-05
927	2.80021E-05
928	2.79644E-05
929	2.79264E-05
930	2.78889E-05
931	0.000027851
932	2.78137E-05
933	0.000027776
934	2.77389E-05
935	2.77014E-05
936	2.76644E-05
937	2.76271E-05
938	2.75902E-05
939	2.75531E-05
940	2.75165E-05
941	2.74795E-05

942	0.000027443
943	2.74062E-05
944	2.73699E-05
945	2.73333E-05
946	2.72972E-05
947	2.72607E-05
948	2.72248E-05
949	2.71885E-05
950	2.71527E-05
951	2.71166E-05
952	2.70809E-05
953	0.000027045
954	2.70095E-05
955	2.69737E-05
956	2.69384E-05
957	2.69028E-05
958	2.68677E-05
959	2.68322E-05
960	2.67972E-05
961	2.67619E-05
962	2.67271E-05
963	0.000026692
964	2.66573E-05
965	2.66223E-05
966	2.65878E-05
967	0.000026553
968	2.65187E-05
969	0.000026484
970	2.64498E-05
971	2.64153E-05
972	2.63813E-05
973	2.63469E-05
974	0.000026313
975	2.62789E-05
976	2.62451E-05
977	2.62111E-05
978	2.61775E-05
979	2.61436E-05
980	2.61102E-05
981	2.60765E-05
982	2.60432E-05
983	2.60096E-05
984	2.59765E-05
985	0.000025943
986	2.59101E-05
987	2.58768E-05
988	0.000025844
989	2.58108E-05
990	2.57781E-05
991	2.57451E-05
992	2.57126E-05
993	2.56798E-05
994	2.56474E-05
995	2.56147E-05
996	2.55824E-05
997	2.55499E-05
998	2.55177E-05
999	2.54853E-05
1000	2.54534E-05
1001	2.54211E-05
1002	2.53893E-05
1003	2.53571E-05
1004	2.53254E-05
1005	2.52935E-05
1006	2.52619E-05

1007	2.52301E-05
1008	2.51987E-05
1009	2.51669E-05
1010	2.51357E-05
1011	2.51041E-05
1012	0.000025073
1013	2.50415E-05
1014	2.50105E-05
1015	2.49792E-05
1016	2.49483E-05
1017	2.49172E-05
1018	2.48864E-05
1019	2.48554E-05
1020	2.48248E-05
1021	2.47939E-05
1022	2.47634E-05
1023	2.47327E-05
1024	2.47023E-05
1025	2.46717E-05
1026	2.46415E-05
1027	0.000024611
1028	2.45809E-05
1029	2.45505E-05
1030	2.45206E-05
1031	2.44903E-05
1032	2.44605E-05
1033	2.44304E-05
1034	2.44007E-05
1035	2.43707E-05
1036	2.43412E-05
1037	2.43113E-05
1038	2.42819E-05
1039	2.42521E-05
1040	2.42228E-05
1041	2.41932E-05
1042	0.000024164
1043	2.41345E-05
1044	2.41055E-05
1045	2.40761E-05
1046	2.40471E-05
1047	2.40179E-05
1048	2.39891E-05
1049	0.00002396
1050	2.39313E-05
1051	2.39023E-05
1052	2.38737E-05
1053	2.38448E-05
1054	2.38163E-05
1055	2.37876E-05
1056	2.37592E-05
1057	2.37306E-05
1058	2.37024E-05
1059	2.36739E-05
1060	2.36458E-05
1061	2.36173E-05
1062	2.35894E-05
1063	2.35611E-05
1064	2.35332E-05
1065	0.000023505
1066	2.34773E-05
1067	2.34492E-05
1068	2.34216E-05
1069	2.33936E-05
1070	2.33661E-05
1071	2.33383E-05

1072	2.33109E-05
1073	2.32832E-05
1074	2.32559E-05
1075	2.32283E-05
1076	2.32011E-05
1077	2.31736E-05
1078	2.31465E-05
1079	2.31191E-05
1080	2.30922E-05
1081	2.30649E-05
1082	2.30381E-05
1083	2.30109E-05
1084	2.29841E-05
1085	2.29571E-05
1086	2.29305E-05
1087	2.29035E-05
1088	0.000022877
1089	2.28502E-05
1090	2.28238E-05
1091	0.000022797
1092	2.27707E-05
1093	2.27441E-05
1094	2.27179E-05
1095	2.26914E-05
1096	2.26653E-05
1097	2.26389E-05
1098	2.26129E-05
1099	2.25866E-05
1100	2.25607E-05
1101	2.25345E-05
1102	2.25087E-05
1103	2.24826E-05
1104	2.24569E-05
1105	2.24309E-05
1106	2.24054E-05
1107	2.23795E-05
1108	0.000022354
1109	2.23282E-05
1110	2.23028E-05
1111	2.22772E-05
1112	2.22519E-05
1113	2.22263E-05
1114	2.22011E-05
1115	2.21756E-05
1116	2.21506E-05
1117	2.21252E-05
1118	2.21002E-05
1119	2.20749E-05
1120	2.20501E-05
1121	2.20249E-05
1122	2.20001E-05
1123	0.000021975
1124	2.19503E-05
1125	2.19253E-05
1126	2.19008E-05
1127	2.18759E-05
1128	2.18514E-05
1129	2.18266E-05
1130	2.18022E-05
1131	2.17775E-05
1132	2.17532E-05
1133	2.17286E-05
1134	2.17044E-05
1135	2.16799E-05
1136	2.16558E-05

1137	2.16313E-05
1138	2.16073E-05
1139	0.000021583
1140	2.15591E-05
1141	2.15349E-05
1142	0.000021511
1143	2.14869E-05
1144	2.14632E-05
1145	2.14391E-05
1146	2.14155E-05
1147	2.13915E-05
1148	0.000021368
1149	2.13441E-05
1150	2.13207E-05
1151	2.12969E-05
1152	2.12735E-05
1153	2.12498E-05
1154	2.12265E-05
1155	2.12029E-05
1156	2.11798E-05
1157	2.11562E-05
1158	2.11332E-05
1159	2.11097E-05
1160	2.10867E-05
1161	2.10634E-05
1162	2.10405E-05
1163	2.10172E-05
1164	2.09944E-05
1165	2.09712E-05
1166	2.09485E-05
1167	2.09254E-05
1168	2.09028E-05
1169	2.08798E-05
1170	2.08572E-05
1171	2.08343E-05
1172	2.08118E-05
1173	0.000020789
1174	2.07666E-05
1175	2.07439E-05
1176	2.07215E-05
1177	2.06989E-05
1178	2.06767E-05
1179	2.06541E-05
1180	2.06319E-05
1181	2.06095E-05
1182	2.05874E-05
1183	0.000020565
1184	0.000020543
1185	2.05207E-05
1186	2.04988E-05
1187	2.04766E-05
1188	2.04547E-05
1189	2.04326E-05
1190	2.04109E-05
1191	2.03888E-05
1192	2.03671E-05
1193	2.03451E-05
1194	2.03236E-05
1195	2.03016E-05
1196	2.02801E-05
1197	2.02583E-05
1198	2.02369E-05
1199	2.02151E-05
1200	2.01938E-05
1201	2.01721E-05

1202	2.01509E-05
1203	2.01293E-05
1204	2.01081E-05
1205	2.00866E-05
1206	2.00655E-05
1207	0.000020044
1208	0.000020023
1209	2.00016E-05
1210	1.99807E-05
1211	1.99594E-05
1212	1.99385E-05
1213	1.99173E-05
1214	1.98965E-05
1215	1.98754E-05
1216	1.98547E-05
1217	1.98336E-05
1218	0.000019813
1219	0.000019792
1220	1.97714E-05
1221	1.97505E-05
1222	0.00001973
1223	1.97092E-05
1224	1.96888E-05
1225	0.000019668
1226	1.96477E-05
1227	0.000019627
1228	1.96067E-05
1229	1.95861E-05
1230	1.95659E-05
1231	1.95454E-05
1232	1.95253E-05
1233	1.95048E-05
1234	1.94847E-05
1235	1.94643E-05
1236	1.94444E-05
1237	0.000019424
1238	1.94041E-05
1239	1.93839E-05
1240	0.000019364
1241	1.93439E-05
1242	1.93241E-05
1243	0.000019304
1244	1.92843E-05
1245	1.92642E-05
1246	1.92446E-05
1247	1.92246E-05
1248	1.92051E-05
1249	1.91852E-05
1250	1.91657E-05
1251	1.91459E-05
1252	1.91265E-05
1253	1.91067E-05
1254	1.90874E-05
1255	1.90677E-05
1256	1.90484E-05
1257	1.90288E-05
1258	1.90095E-05
1259	0.00001899
1260	1.89708E-05
1261	1.89513E-05
1262	1.89323E-05
1263	1.89128E-05
1264	1.88938E-05
1265	1.88745E-05
1266	1.88555E-05

1267	1.88362E-05
1268	1.88174E-05
1269	1.87981E-05
1270	1.87793E-05
1271	1.87602E-05
1272	1.87414E-05
1273	1.87223E-05
1274	1.87037E-05
1275	1.86846E-05
1276	0.000018666
1277	1.86471E-05
1278	1.86285E-05
1279	1.86096E-05
1280	1.85911E-05
1281	1.85723E-05
1282	1.85539E-05
1283	1.85351E-05
1284	1.85167E-05
1285	0.000018498
1286	1.84797E-05
1287	1.84611E-05
1288	1.84429E-05
1289	1.84243E-05
1290	1.84061E-05
1291	1.83876E-05
1292	1.83695E-05
1293	0.000018351
1294	0.000018333
1295	1.83146E-05
1296	1.82966E-05
1297	1.82783E-05
1298	1.82604E-05
1299	1.82421E-05
1300	1.82242E-05
1301	0.000018206
1302	1.81882E-05
1303	1.81701E-05
1304	1.81524E-05
1305	1.81343E-05
1306	1.81166E-05
1307	1.80986E-05
1308	1.80809E-05
1309	0.000018063
1310	1.80454E-05
1311	1.80275E-05
1312	0.00001801
1313	1.79922E-05
1314	1.79747E-05
1315	1.79569E-05
1316	1.79396E-05
1317	1.79218E-05
1318	1.79045E-05
1319	1.78868E-05
1320	1.78696E-05
1321	0.000017852
1322	1.78348E-05
1323	1.78172E-05
1324	1.78001E-05
1325	1.77826E-05
1326	1.77655E-05
1327	0.000017748
1328	0.000017731
1329	1.77136E-05
1330	1.76966E-05
1331	1.76793E-05

1332	1.76624E-05
1333	1.76451E-05
1334	1.76283E-05
1335	0.000017611
1336	1.75942E-05
1337	1.75771E-05
1338	1.75603E-05
1339	1.75432E-05
1340	1.75265E-05
1341	1.75095E-05
1342	1.74928E-05
1343	1.74758E-05
1344	1.74593E-05
1345	1.74423E-05
1346	1.74258E-05
1347	1.74089E-05
1348	1.73924E-05
1349	1.73756E-05
1350	1.73592E-05
1351	1.73424E-05
1352	0.000017326
1353	1.73093E-05
1354	0.000017293
1355	1.72763E-05
1356	1.72601E-05
1357	1.72435E-05
1358	1.72273E-05
1359	1.72107E-05
1360	1.71946E-05
1361	0.000017178
1362	1.71619E-05
1363	1.71455E-05
1364	1.71294E-05
1365	0.000017113
1366	0.000017097
1367	1.70807E-05
1368	1.70648E-05
1369	1.70485E-05
1370	1.70326E-05
1371	1.70163E-05
1372	1.70005E-05
1373	1.69843E-05
1374	1.69685E-05
1375	1.69523E-05
1376	1.69366E-05
1377	1.69205E-05
1378	1.69048E-05
1379	1.68888E-05
1380	1.68731E-05
1381	1.68572E-05
1382	1.68416E-05
1383	1.68256E-05
1384	1.68101E-05
1385	1.67942E-05
1386	1.67787E-05
1387	1.67629E-05
1388	1.67474E-05
1389	1.67316E-05
1390	1.67163E-05
1391	1.67005E-05
1392	1.66852E-05
1393	1.66695E-05
1394	1.66542E-05
1395	1.66385E-05
1396	1.66233E-05

1397	1.66077E-05
1398	1.65925E-05
1399	0.000016577
1400	1.65618E-05
1401	1.65463E-05
1402	1.65312E-05
1403	1.65158E-05
1404	1.65007E-05
1405	1.64853E-05
1406	1.64703E-05
1407	0.000016455
1408	0.00001644
1409	1.64247E-05
1410	1.64098E-05
1411	1.63945E-05
1412	1.63797E-05
1413	1.63645E-05
1414	1.63496E-05
1415	1.63345E-05
1416	1.63197E-05
1417	1.63046E-05
1418	1.62899E-05
1419	1.62748E-05
1420	1.62601E-05
1421	1.62451E-05
1422	1.62305E-05
1423	1.62155E-05
1424	1.62009E-05
1425	0.000016186
1426	1.61714E-05
1427	1.61565E-05
1428	0.000016142
1429	1.61272E-05
1430	1.61128E-05
1431	1.60979E-05
1432	1.60835E-05
1433	1.60688E-05
1434	1.60544E-05
1435	1.60397E-05
1436	1.60254E-05
1437	1.60107E-05
1438	1.59965E-05
1439	1.59818E-05
1440	1.59676E-05
1441	0.000015953
1442	1.59389E-05
1443	1.59243E-05
1444	1.59102E-05
1445	1.58957E-05
1446	1.58816E-05
1447	1.58672E-05
1448	1.58531E-05
1449	1.58387E-05
1450	1.58247E-05
1451	1.58103E-05
1452	1.57964E-05
1453	1.57821E-05
1454	1.57681E-05
1455	1.57539E-05
1456	0.00001574
1457	1.57257E-05
1458	1.57119E-05
1459	1.56977E-05
1460	1.56839E-05
1461	1.56698E-05

1462	0.000015656
1463	1.56419E-05
1464	1.56282E-05
1465	1.56141E-05
1466	1.56005E-05
1467	1.55864E-05
1468	1.55728E-05
1469	1.55588E-05
1470	1.55453E-05
1471	1.55313E-05
1472	1.55178E-05
1473	1.55039E-05
1474	1.54904E-05
1475	1.54765E-05
1476	0.000015463
1477	1.54492E-05
1478	1.54358E-05
1479	0.000015422
1480	1.54086E-05
1481	1.53949E-05
1482	1.53816E-05
1483	1.53679E-05
1484	1.53546E-05
1485	1.53409E-05
1486	1.53276E-05
1487	0.000015314
1488	1.53008E-05
1489	1.52872E-05
1490	0.000015274
1491	1.52605E-05
1492	1.52474E-05
1493	1.52339E-05
1494	1.52208E-05
1495	1.52073E-05
1496	1.51942E-05
1497	1.51808E-05
1498	1.51678E-05
1499	1.51544E-05
1500	1.51414E-05
1501	1.51281E-05
1502	1.51151E-05
1503	1.51018E-05
1504	1.50889E-05
1505	1.50756E-05
1506	1.50628E-05
1507	1.50495E-05
1508	1.50367E-05
1509	1.50235E-05
1510	1.50107E-05
1511	1.49976E-05
1512	1.49848E-05
1513	1.49717E-05
1514	0.000014959
1515	1.49459E-05
1516	1.49332E-05
1517	1.49202E-05
1518	1.49075E-05
1519	1.48945E-05
1520	1.48819E-05
1521	1.48689E-05
1522	1.48564E-05
1523	1.48434E-05
1524	1.48309E-05
1525	0.000014818
1526	1.48055E-05

1527	1.47927E-05
1528	1.47802E-05
1529	1.47674E-05
1530	0.000014755
1531	1.47422E-05
1532	1.47298E-05
1533	0.000014717
1534	1.47047E-05
1535	0.000014692
1536	1.46797E-05
1537	0.000014667
1538	1.46547E-05
1539	0.000014642
1540	1.46298E-05
1541	1.46172E-05
1542	0.000014605
1543	1.45924E-05
1544	1.45802E-05
1545	1.45677E-05
1546	1.45556E-05
1547	1.45431E-05
1548	0.000014531
1549	1.45185E-05
1550	1.45064E-05
1551	0.000014494
1552	0.000014482
1553	1.44696E-05
1554	1.44576E-05
1555	1.44452E-05
1556	1.44332E-05
1557	1.44209E-05
1558	0.000014409
1559	1.43967E-05
1560	1.43848E-05
1561	1.43725E-05
1562	1.43607E-05
1563	1.43484E-05
1564	1.43366E-05
1565	1.43244E-05
1566	1.43126E-05
1567	1.43005E-05
1568	1.42887E-05
1569	1.42766E-05
1570	1.42649E-05
1571	1.42528E-05
1572	1.42411E-05
1573	0.000014229
1574	1.42174E-05
1575	1.42053E-05
1576	1.41937E-05
1577	1.41817E-05
1578	1.41701E-05
1579	1.41581E-05
1580	1.41466E-05
1581	1.41347E-05
1582	1.41231E-05
1583	1.41112E-05
1584	1.40997E-05
1585	1.40879E-05
1586	1.40764E-05
1587	1.40646E-05
1588	1.40531E-05
1589	1.40414E-05
1590	0.00001403
1591	1.40182E-05

1592	1.40068E-05
1593	1.39951E-05
1594	1.39837E-05
1595	0.000013972
1596	1.39607E-05
1597	1.39491E-05
1598	1.39378E-05
1599	1.39262E-05
1600	1.39149E-05
1601	1.39033E-05
1602	1.38921E-05
1603	1.38805E-05
1604	1.38693E-05
1605	1.38578E-05
1606	1.38467E-05
1607	1.38351E-05
1608	0.000013824
1609	1.38125E-05
1610	1.38015E-05
1611	0.00001379
1612	1.37789E-05
1613	1.37675E-05
1614	1.37565E-05
1615	1.37451E-05
1616	1.37341E-05
1617	1.37228E-05
1618	1.37118E-05
1619	1.37005E-05
1620	1.36895E-05
1621	1.36782E-05
1622	1.36673E-05
1623	0.000013656
1624	1.36452E-05
1625	1.36339E-05
1626	1.36231E-05
1627	1.36119E-05
1628	1.36011E-05
1629	1.35899E-05
1630	1.35791E-05
1631	0.000013568
1632	1.35572E-05
1633	1.35461E-05
1634	1.35354E-05
1635	1.35243E-05
1636	1.35136E-05
1637	1.35025E-05
1638	1.34918E-05
1639	1.34808E-05
1640	1.34702E-05
1641	1.34592E-05
1642	1.34486E-05
1643	1.34376E-05
1644	0.000013427
1645	0.000013416
1646	1.34055E-05
1647	1.33946E-05
1648	1.33841E-05
1649	1.33732E-05
1650	1.33627E-05
1651	1.33518E-05
1652	1.33413E-05
1653	1.33305E-05
1654	1.33201E-05
1655	1.33093E-05
1656	1.32989E-05

1657	1.32881E-05
1658	1.32777E-05
1659	0.000013267
1660	1.32566E-05
1661	1.32459E-05
1662	1.32356E-05
1663	1.32249E-05
1664	1.32146E-05
1665	1.32039E-05
1666	1.31936E-05
1667	0.000013183
1668	1.31728E-05
1669	1.31621E-05
1670	1.31519E-05
1671	1.31413E-05
1672	1.31312E-05
1673	1.31206E-05
1674	1.31104E-05
1675	1.30999E-05
1676	1.30898E-05
1677	1.30793E-05
1678	1.30692E-05
1679	1.30587E-05
1680	1.30486E-05
1681	1.30382E-05
1682	1.30281E-05
1683	1.30177E-05
1684	1.30077E-05
1685	1.29973E-05
1686	1.29873E-05
1687	1.29769E-05
1688	1.29669E-05
1689	1.29566E-05
1690	1.29467E-05
1691	1.29363E-05
1692	1.29264E-05
1693	1.29161E-05
1694	1.29062E-05
1695	0.000012896
1696	1.28861E-05
1697	1.28759E-05
1698	0.000012866
1699	1.28558E-05
1700	0.000012846
1701	1.28358E-05
1702	0.000012826
1703	1.28159E-05
1704	1.28061E-05
1705	0.000012796
1706	1.27862E-05
1707	1.27761E-05
1708	1.27664E-05
1709	1.27563E-05
1710	1.27467E-05
1711	1.27366E-05
1712	1.27269E-05
1713	1.27169E-05
1714	1.27073E-05
1715	1.26973E-05
1716	1.26876E-05
1717	1.26777E-05
1718	1.26681E-05
1719	1.26581E-05
1720	1.26486E-05
1721	1.26386E-05

1722	1.26291E-05
1723	1.26192E-05
1724	1.26097E-05
1725	1.25998E-05
1726	1.25903E-05
1727	1.25805E-05
1728	0.000012571
1729	1.25612E-05
1730	1.25517E-05
1731	1.25419E-05
1732	1.25325E-05
1733	1.25227E-05
1734	1.25133E-05
1735	1.25036E-05
1736	1.24942E-05
1737	1.24845E-05
1738	1.24751E-05
1739	1.24654E-05
1740	1.24561E-05
1741	1.24464E-05
1742	1.24371E-05
1743	1.24275E-05
1744	1.24182E-05
1745	1.24085E-05
1746	1.23993E-05
1747	1.23897E-05
1748	1.23805E-05
1749	1.23709E-05
1750	1.23617E-05
1751	1.23521E-05
1752	1.23429E-05
1753	1.23334E-05
1754	1.23242E-05
1755	1.23147E-05
1756	1.23056E-05
1757	1.22961E-05
1758	0.000012287
1759	1.22775E-05
1760	1.22684E-05
1761	0.000012259
1762	1.22499E-05
1763	1.22405E-05
1764	1.22315E-05
1765	1.22221E-05
1766	0.000012213
1767	1.22037E-05
1768	1.21947E-05
1769	1.21853E-05
1770	1.21763E-05
1771	0.000012167
1772	1.21581E-05
1773	1.21487E-05
1774	1.21398E-05
1775	1.21305E-05
1776	1.21216E-05
1777	1.21124E-05
1778	1.21035E-05
1779	1.20942E-05
1780	1.20854E-05
1781	1.20762E-05
1782	1.20673E-05
1783	1.20581E-05
1784	1.20493E-05
1785	1.20401E-05
1786	1.20314E-05

1787	1.20222E-05
1788	1.20134E-05
1789	1.20043E-05
1790	1.19956E-05
1791	1.19864E-05
1792	1.19777E-05
1793	1.19686E-05
1794	1.19599E-05
1795	1.19509E-05
1796	1.19422E-05
1797	1.19331E-05
1798	1.19245E-05
1799	1.19154E-05
1800	1.19068E-05
1801	1.18978E-05
1802	1.18892E-05
1803	1.18802E-05
1804	1.18716E-05
1805	1.18627E-05
1806	1.18541E-05
1807	1.18451E-05
1808	1.18366E-05
1809	1.18277E-05
1810	1.18191E-05
1811	1.18102E-05
1812	1.18017E-05
1813	1.17929E-05
1814	1.17844E-05
1815	1.17755E-05
1816	1.17671E-05
1817	1.17582E-05
1818	1.17498E-05
1819	0.000011741
1820	1.17325E-05
1821	1.17237E-05
1822	1.17153E-05
1823	1.17066E-05
1824	1.16982E-05
1825	1.16894E-05
1826	1.16811E-05
1827	1.16723E-05
1828	0.000011664
1829	1.16553E-05
1830	0.000011647
1831	1.16383E-05
1832	0.00001163
1833	1.16213E-05
1834	0.000011613
1835	1.16044E-05
1836	1.15961E-05
1837	1.15875E-05
1838	1.15792E-05
1839	1.15706E-05
1840	1.15624E-05
1841	1.15538E-05
1842	1.15456E-05
1843	1.15371E-05
1844	1.15289E-05
1845	1.15203E-05
1846	1.15122E-05
1847	1.15036E-05
1848	1.14955E-05
1849	0.000011487
1850	1.14789E-05
1851	1.14704E-05

1852	1.14623E-05
1853	1.14538E-05
1854	1.14457E-05
1855	1.14373E-05
1856	1.14292E-05
1857	1.14208E-05
1858	1.14127E-05
1859	1.14043E-05
1860	1.13963E-05
1861	1.13879E-05
1862	1.13799E-05
1863	1.13715E-05
1864	1.13636E-05
1865	1.13552E-05
1866	1.13472E-05
1867	1.13389E-05
1868	0.000011331
1869	1.13226E-05
1870	1.13147E-05
1871	1.13064E-05
1872	1.12985E-05
1873	1.12902E-05
1874	1.12823E-05
1875	1.12741E-05
1876	1.12662E-05
1877	0.000011258
1878	1.12501E-05
1879	1.12419E-05
1880	1.12341E-05
1881	1.12259E-05
1882	1.12181E-05
1883	1.12099E-05
1884	1.12021E-05
1885	1.11939E-05
1886	1.11861E-05
1887	0.000011178
1888	1.11702E-05
1889	1.11621E-05
1890	1.11544E-05
1891	1.11463E-05
1892	1.11385E-05
1893	1.11304E-05
1894	1.11227E-05
1895	1.11147E-05
1896	0.000011107
1897	1.10989E-05
1898	1.10913E-05
1899	1.10832E-05
1900	1.10756E-05
1901	1.10676E-05
1902	1.10599E-05
1903	1.10519E-05
1904	1.10443E-05
1905	1.10363E-05
1906	1.10287E-05
1907	1.10208E-05
1908	1.10132E-05
1909	1.10053E-05
1910	1.09977E-05
1911	1.09898E-05
1912	1.09822E-05
1913	1.09743E-05
1914	1.09668E-05
1915	1.09589E-05
1916	1.09514E-05

1917	1.09435E-05
1918	0.000010936
1919	1.09282E-05
1920	1.09207E-05
1921	1.09129E-05
1922	1.09054E-05
1923	1.08976E-05
1924	1.08902E-05
1925	1.08824E-05
1926	1.08749E-05
1927	1.08671E-05
1928	1.08598E-05
1929	0.000010852
1930	1.08446E-05
1931	1.08368E-05
1932	1.08295E-05
1933	1.08217E-05
1934	1.08144E-05
1935	1.08067E-05
1936	1.07993E-05
1937	1.07916E-05
1938	1.07843E-05
1939	1.07766E-05
1940	1.07693E-05
1941	1.07617E-05
1942	1.07544E-05
1943	1.07467E-05
1944	1.07395E-05
1945	1.07318E-05
1946	1.07246E-05
1947	0.000010717
1948	1.07097E-05
1949	1.07021E-05
1950	1.06949E-05
1951	1.06873E-05
1952	1.06802E-05
1953	1.06726E-05
1954	1.06654E-05
1955	1.06578E-05
1956	1.06507E-05
1957	1.06431E-05
1958	0.000010636
1959	1.06285E-05
1960	1.06214E-05
1961	1.06139E-05
1962	1.06067E-05
1963	1.05993E-05
1964	1.05922E-05
1965	1.05847E-05
1966	1.05776E-05
1967	1.05701E-05
1968	1.05631E-05
1969	1.05556E-05
1970	1.05486E-05
1971	1.05412E-05
1972	1.05341E-05
1973	1.05267E-05
1974	1.05197E-05
1975	1.05123E-05
1976	1.05053E-05
1977	0.000010498
1978	0.000010491
1979	1.04836E-05
1980	1.04766E-05
1981	1.04693E-05

1982	1.04624E-05
1983	0.000010455
1984	1.04481E-05
1985	1.04408E-05
1986	1.04339E-05
1987	1.04266E-05
1988	1.04197E-05
1989	1.04124E-05
1990	1.04055E-05
1991	1.03982E-05
1992	1.03914E-05
1993	1.03841E-05
1994	1.03772E-05
1995	0.00001037
1996	1.03632E-05
1997	0.000010356
1998	1.03491E-05
1999	1.03419E-05
2000	1.03351E-05
2001	1.03279E-05
2002	1.03211E-05
2003	0.000010314
2004	1.03072E-05
2005	0.0000103
2006	1.02933E-05
2007	1.02861E-05
2008	1.02794E-05
2009	1.02722E-05
2010	1.02655E-05
2011	1.02584E-05
2012	1.02517E-05
2013	1.02446E-05
2014	1.02379E-05
2015	1.02308E-05
2016	1.02241E-05
2017	0.000010217
2018	1.02104E-05
2019	1.02033E-05
2020	1.01966E-05
2021	1.01896E-05
2022	0.000010183
2023	1.01759E-05
2024	1.01693E-05
2025	1.01623E-05
2026	1.01557E-05
2027	1.01487E-05
2028	1.01421E-05
2029	1.01351E-05
2030	1.01285E-05
2031	1.01216E-05
2032	0.000010115
2033	0.000010108
2034	1.01015E-05
2035	1.00946E-05
2036	0.000010088
2037	1.00811E-05
2038	1.00746E-05
2039	1.00677E-05
2040	1.00612E-05
2041	1.00543E-05
2042	1.00478E-05
2043	1.00409E-05
2044	1.00344E-05
2045	1.00275E-05
2046	1.00211E-05

2047	1.00142E-05
2048	1.00078E-05
2049	1.00009E-05
2050	9.9945E-06
2051	9.98767E-06
2052	9.98125E-06
2053	9.97444E-06
2054	9.96803E-06
2055	9.96124E-06
2056	9.95484E-06
2057	9.94806E-06
2058	9.94168E-06
2059	9.93491E-06
2060	9.92855E-06
2061	9.92179E-06
2062	9.91544E-06
2063	9.9087E-06
2064	9.90236E-06
2065	9.89564E-06
2066	9.88931E-06
2067	9.8826E-06
2068	9.87629E-06
2069	9.86959E-06
2070	9.86329E-06
2071	9.85661E-06
2072	9.85033E-06
2073	9.84366E-06
2074	9.83739E-06
2075	9.83073E-06
2076	9.82447E-06
2077	9.81783E-06
2078	9.81159E-06
2079	9.80496E-06
2080	9.79873E-06
2081	9.79212E-06
2082	9.7859E-06
2083	9.7793E-06
2084	9.77309E-06
2085	9.76651E-06
2086	9.76032E-06
2087	9.75374E-06
2088	9.74757E-06
2089	9.74101E-06
2090	9.73484E-06
2091	9.72829E-06
2092	9.72214E-06
2093	9.71561E-06
2094	9.70947E-06
2095	9.70295E-06
2096	9.69683E-06
2097	9.69032E-06
2098	9.68421E-06
2099	9.67772E-06
2100	9.67162E-06
2101	9.66514E-06
2102	9.65906E-06
2103	9.65259E-06
2104	9.64652E-06
2105	9.64006E-06
2106	0.000009634
2107	9.62756E-06
2108	9.62152E-06
2109	9.61509E-06
2110	9.60906E-06
2111	9.60264E-06

2112	9.59662E-06
2113	9.59022E-06
2114	9.58421E-06
2115	9.57782E-06
2116	9.57183E-06
2117	9.56545E-06
2118	9.55947E-06
2119	9.55311E-06
2120	9.54714E-06
2121	9.54079E-06
2122	9.53483E-06
2123	9.52849E-06
2124	9.52255E-06
2125	9.51622E-06
2126	9.51029E-06
2127	9.50398E-06
2128	9.49806E-06
2129	9.49176E-06
2130	9.48586E-06
2131	9.47957E-06
2132	9.47368E-06
2133	9.4674E-06
2134	9.46152E-06
2135	9.45526E-06
2136	9.44939E-06
2137	9.44314E-06
2138	9.43729E-06
2139	9.43105E-06
2140	9.42521E-06
2141	9.41898E-06
2142	9.41315E-06
2143	9.40693E-06
2144	9.40112E-06
2145	9.39492E-06
2146	9.38911E-06
2147	9.38292E-06
2148	9.37713E-06
2149	9.37095E-06
2150	9.36517E-06
2151	0.000009359
2152	9.35324E-06
2153	9.34708E-06
2154	9.34133E-06
2155	9.33519E-06
2156	9.32944E-06
2157	9.32331E-06
2158	9.31758E-06
2159	9.31146E-06
2160	9.30574E-06
2161	9.29964E-06
2162	9.29393E-06
2163	9.28784E-06
2164	9.28214E-06
2165	9.27606E-06
2166	9.27038E-06
2167	9.26431E-06
2168	9.25863E-06
2169	9.25258E-06
2170	9.24692E-06
2171	9.24087E-06
2172	9.23522E-06
2173	9.22919E-06
2174	9.22355E-06
2175	9.21753E-06
2176	9.2119E-06

2177	9.20589E-06
2178	9.20028E-06
2179	9.19428E-06
2180	9.18868E-06
2181	9.18269E-06
2182	9.1771E-06
2183	9.17113E-06
2184	9.16555E-06
2185	9.15959E-06
2186	9.15402E-06
2187	9.14807E-06
2188	9.14251E-06
2189	9.13657E-06
2190	9.13103E-06
2191	9.1251E-06
2192	9.11957E-06
2193	9.11365E-06
2194	9.10813E-06
2195	9.10222E-06
2196	9.09671E-06
2197	9.09082E-06
2198	9.08532E-06
2199	9.07943E-06
2200	9.07395E-06
2201	9.06808E-06
2202	9.0626E-06
2203	9.05674E-06
2204	9.05127E-06
2205	9.04542E-06
2206	9.03997E-06
2207	9.03413E-06
2208	9.02869E-06
2209	9.02286E-06
2210	9.01743E-06
2211	9.01162E-06
2212	9.0062E-06
2213	9.00039E-06
2214	8.99498E-06
2215	8.98919E-06
2216	8.98379E-06
2217	8.97801E-06
2218	8.97262E-06
2219	8.96685E-06
2220	8.96148E-06
2221	8.95572E-06
2222	8.95035E-06
2223	8.9446E-06
2224	8.93925E-06
2225	8.93351E-06
2226	8.92817E-06
2227	8.92244E-06
2228	8.91711E-06
2229	8.91139E-06
2230	8.90607E-06
2231	8.90036E-06
2232	8.89505E-06
2233	8.88936E-06
2234	8.88406E-06
2235	8.87837E-06
2236	8.87309E-06
2237	8.86741E-06
2238	8.86213E-06
2239	8.85647E-06
2240	8.8512E-06
2241	8.84555E-06

2242	8.8403E-06
2243	8.83465E-06
2244	8.82941E-06
2245	8.82378E-06
2246	8.81854E-06
2247	8.81292E-06
2248	8.8077E-06
2249	8.80209E-06
2250	8.79687E-06
2251	8.79127E-06
2252	8.78607E-06
2253	8.78048E-06
2254	8.77529E-06
2255	8.76971E-06
2256	8.76453E-06
2257	8.75896E-06
2258	8.75379E-06
2259	8.74823E-06
2260	8.74307E-06
2261	8.73752E-06
2262	8.73237E-06
2263	8.72683E-06
2264	8.72169E-06
2265	8.71616E-06
2266	8.71103E-06
2267	8.70552E-06
2268	8.7004E-06
2269	8.69489E-06
2270	8.68978E-06
2271	8.68428E-06
2272	8.67918E-06
2273	8.6737E-06
2274	8.66861E-06
2275	8.66313E-06
2276	8.65805E-06
2277	8.65259E-06
2278	8.64752E-06
2279	8.64206E-06
2280	0.000008637
2281	8.63156E-06
2282	8.62651E-06
2283	8.62107E-06
2284	8.61604E-06
2285	8.61061E-06
2286	8.60558E-06
2287	8.60017E-06
2288	8.59515E-06
2289	8.58974E-06
2290	8.58473E-06
2291	8.57934E-06
2292	8.57434E-06
2293	8.56895E-06
2294	8.56396E-06
2295	8.55859E-06
2296	8.55361E-06
2297	8.54824E-06
2298	8.54328E-06
2299	8.53792E-06
2300	8.53296E-06
2301	8.52761E-06
2302	8.52266E-06
2303	8.51733E-06
2304	8.51239E-06
2305	8.50706E-06
2306	8.50213E-06

2307	8.49681E-06
2308	8.49189E-06
2309	8.48659E-06
2310	8.48168E-06
2311	8.47638E-06
2312	8.47148E-06
2313	8.46619E-06
2314	8.4613E-06
2315	8.45602E-06
2316	8.45114E-06
2317	8.44587E-06
2318	0.000008441
2319	8.43574E-06
2320	8.43088E-06
2321	8.42563E-06
2322	8.42077E-06
2323	8.41553E-06
2324	8.41069E-06
2325	8.40546E-06
2326	8.40063E-06
2327	8.3954E-06
2328	8.39058E-06
2329	8.38537E-06
2330	8.38055E-06
2331	8.37535E-06
2332	8.37055E-06
2333	8.36535E-06
2334	8.36056E-06
2335	8.35537E-06
2336	8.35059E-06
2337	8.34541E-06
2338	8.34064E-06
2339	8.33547E-06
2340	8.3307E-06
2341	8.32555E-06
2342	8.32079E-06
2343	8.31564E-06
2344	8.31089E-06
2345	8.30575E-06
2346	8.30101E-06
2347	8.29589E-06
2348	8.29115E-06
2349	8.28604E-06
2350	8.28131E-06
2351	8.2762E-06
2352	8.27149E-06
2353	8.26639E-06
2354	8.26169E-06
2355	8.2566E-06
2356	8.2519E-06
2357	8.24682E-06
2358	8.24213E-06
2359	8.23706E-06
2360	8.23238E-06
2361	8.22732E-06
2362	8.22265E-06
2363	8.2176E-06
2364	8.21294E-06
2365	8.20789E-06
2366	8.20324E-06
2367	8.1982E-06
2368	8.19356E-06
2369	8.18854E-06
2370	8.1839E-06
2371	8.17888E-06

2372	8.17426E-06
2373	8.16925E-06
2374	8.16464E-06
2375	8.15964E-06
2376	8.15503E-06
2377	8.15004E-06
2378	8.14544E-06
2379	8.14046E-06
2380	8.13587E-06
2381	8.13089E-06
2382	8.12632E-06
2383	8.12135E-06
2384	8.11678E-06
2385	8.11182E-06
2386	8.10726E-06
2387	8.10231E-06
2388	8.09776E-06
2389	8.09282E-06
2390	8.08828E-06
2391	8.08334E-06
2392	8.07881E-06
2393	8.07389E-06
2394	8.06936E-06
2395	8.06445E-06
2396	8.05993E-06
2397	8.05502E-06
2398	8.05051E-06
2399	8.04562E-06
2400	8.04112E-06
2401	8.03623E-06
2402	8.03174E-06
2403	8.02685E-06
2404	8.02237E-06
2405	8.0175E-06
2406	8.01303E-06
2407	8.00816E-06
2408	8.0037E-06
2409	7.99884E-06
2410	7.99438E-06
2411	7.98954E-06
2412	7.98509E-06
2413	7.98025E-06
2414	7.97581E-06
2415	7.97098E-06
2416	7.96655E-06
2417	7.96173E-06
2418	7.9573E-06
2419	7.95249E-06
2420	7.94807E-06
2421	7.94327E-06
2422	7.93886E-06
2423	7.93406E-06
2424	7.92967E-06
2425	7.92488E-06
2426	7.92049E-06
2427	7.91571E-06
2428	7.91133E-06
2429	7.90655E-06
2430	7.90218E-06
2431	7.89742E-06
2432	7.89305E-06
2433	7.88829E-06
2434	7.88394E-06
2435	7.87919E-06
2436	7.87484E-06

2437	7.8701E-06
2438	7.86576E-06
2439	7.86103E-06
2440	7.8567E-06
2441	7.85197E-06
2442	7.84765E-06
2443	7.84293E-06
2444	7.83862E-06
2445	7.83391E-06
2446	7.8296E-06
2447	7.8249E-06
2448	7.8206E-06
2449	7.81591E-06
2450	7.81162E-06
2451	7.80694E-06
2452	7.80265E-06
2453	7.79798E-06
2454	7.7937E-06
2455	7.78903E-06
2456	7.78477E-06
2457	7.78011E-06
2458	7.77585E-06
2459	7.7712E-06
2460	7.76694E-06
2461	7.7623E-06
2462	7.75806E-06
2463	7.75342E-06
2464	7.74918E-06
2465	7.74456E-06
2466	7.74033E-06
2467	7.73571E-06
2468	7.73149E-06
2469	7.72687E-06
2470	7.72266E-06
2471	7.71806E-06
2472	7.71385E-06
2473	7.70926E-06
2474	7.70506E-06
2475	7.70047E-06
2476	7.69628E-06
2477	7.6917E-06
2478	7.68752E-06
2479	7.68294E-06
2480	7.67877E-06
2481	7.6742E-06
2482	7.67004E-06
2483	7.66548E-06
2484	7.66132E-06
2485	7.65677E-06
2486	7.65262E-06
2487	7.64808E-06
2488	7.64393E-06
2489	7.6394E-06
2490	7.63526E-06
2491	7.63074E-06
2492	7.62661E-06
2493	7.62209E-06
2494	7.61797E-06
2495	7.61346E-06
2496	7.60934E-06
2497	7.60484E-06
2498	7.60073E-06
2499	7.59624E-06
2500	7.59214E-06
2501	7.58765E-06

2502	7.58356E-06
2503	7.57908E-06
2504	7.57499E-06
2505	7.57052E-06
2506	7.56644E-06
2507	7.56198E-06
2508	7.55791E-06
2509	7.55345E-06
2510	7.54939E-06
2511	7.54493E-06
2512	7.54088E-06
2513	7.53644E-06
2514	7.53239E-06
2515	7.52795E-06
2516	7.52392E-06
2517	7.51948E-06
2518	7.51545E-06
2519	7.51103E-06
2520	7.50701E-06
2521	7.50259E-06
2522	7.49858E-06
2523	7.49417E-06
2524	7.49016E-06
2525	7.48576E-06
2526	7.48176E-06
2527	7.47736E-06
2528	7.47337E-06
2529	7.46898E-06
2530	7.46499E-06
2531	7.46061E-06
2532	7.45663E-06
2533	7.45226E-06
2534	7.44829E-06
2535	7.44392E-06
2536	7.43996E-06
2537	7.4356E-06
2538	7.43164E-06
2539	7.42729E-06
2540	7.42334E-06
2541	0.000007419
2542	7.41505E-06
2543	7.41072E-06
2544	7.40678E-06
2545	7.40245E-06
2546	7.39852E-06
2547	7.3942E-06
2548	7.39027E-06
2549	7.38596E-06
2550	7.38204E-06
2551	7.37773E-06
2552	7.37383E-06
2553	7.36952E-06
2554	7.36562E-06
2555	7.36133E-06
2556	7.35743E-06
2557	7.35315E-06
2558	7.34926E-06
2559	7.34498E-06
2560	7.3411E-06
2561	7.33682E-06
2562	7.33295E-06
2563	7.32868E-06
2564	7.32482E-06
2565	7.32056E-06
2566	7.3167E-06

2567	7.31245E-06
2568	7.30859E-06
2569	7.30435E-06
2570	7.3005E-06
2571	7.29626E-06
2572	7.29242E-06
2573	7.28819E-06
2574	7.28436E-06
2575	7.28013E-06
2576	7.27631E-06
2577	7.27209E-06
2578	7.26827E-06
2579	7.26406E-06
2580	7.26025E-06
2581	7.25604E-06
2582	7.25224E-06
2583	7.24804E-06
2584	7.24424E-06
2585	7.24005E-06
2586	7.23626E-06
2587	7.23207E-06
2588	7.22829E-06
2589	7.22411E-06
2590	7.22033E-06
2591	7.21616E-06
2592	7.21239E-06
2593	7.20823E-06
2594	7.20446E-06
2595	7.2003E-06
2596	7.19655E-06
2597	7.1924E-06
2598	7.18864E-06
2599	7.1845E-06
2600	7.18076E-06
2601	7.17662E-06
2602	7.17288E-06
2603	7.16875E-06
2604	7.16502E-06
2605	7.16089E-06
2606	7.15717E-06
2607	7.15305E-06
2608	7.14933E-06
2609	7.14522E-06
2610	7.14151E-06
2611	7.1374E-06
2612	7.1337E-06
2613	7.1296E-06
2614	7.1259E-06
2615	7.12181E-06
2616	7.11812E-06
2617	7.11403E-06
2618	7.11034E-06
2619	7.10626E-06
2620	7.10259E-06
2621	7.09851E-06
2622	7.09484E-06
2623	7.09077E-06
2624	7.08711E-06
2625	7.08305E-06
2626	7.07939E-06
2627	7.07533E-06
2628	7.07168E-06
2629	7.06763E-06
2630	7.06399E-06
2631	7.05995E-06

2632	7.05631E-06
2633	7.05227E-06
2634	7.04864E-06
2635	7.04461E-06
2636	7.04098E-06
2637	7.03696E-06
2638	7.03334E-06
2639	7.02932E-06
2640	7.02571E-06
2641	7.0217E-06
2642	7.01809E-06
2643	7.01409E-06
2644	7.01048E-06
2645	7.00649E-06
2646	7.00289E-06
2647	6.9989E-06
2648	6.99531E-06
2649	6.99133E-06
2650	6.98774E-06
2651	6.98377E-06
2652	6.98019E-06
2653	6.97622E-06
2654	6.97265E-06
2655	6.96868E-06
2656	6.96511E-06
2657	6.96115E-06
2658	6.9576E-06
2659	6.95364E-06
2660	6.95009E-06
2661	6.94614E-06
2662	6.9426E-06
2663	6.93866E-06
2664	6.93512E-06
2665	6.93118E-06
2666	6.92765E-06
2667	6.92372E-06
2668	6.92019E-06
2669	6.91627E-06
2670	6.91274E-06
2671	6.90883E-06
2672	6.90531E-06
2673	6.9014E-06
2674	6.89789E-06
2675	6.89399E-06
2676	6.89048E-06
2677	6.88658E-06
2678	6.88309E-06
2679	6.87919E-06
2680	6.8757E-06
2681	6.87182E-06
2682	6.86833E-06
2683	6.86445E-06
2684	6.86097E-06
2685	6.8571E-06
2686	6.85362E-06
2687	6.84975E-06
2688	6.84629E-06
2689	6.84242E-06
2690	6.83896E-06
2691	6.8351E-06
2692	6.83165E-06
2693	6.8278E-06
2694	6.82435E-06
2695	6.8205E-06
2696	6.81706E-06

2697	6.81322E-06
2698	6.80978E-06
2699	6.80595E-06
2700	6.80252E-06
2701	6.79869E-06
2702	6.79526E-06
2703	6.79144E-06
2704	6.78802E-06
2705	6.7842E-06
2706	6.78079E-06
2707	6.77698E-06
2708	6.77357E-06
2709	6.76977E-06
2710	6.76636E-06
2711	6.76256E-06
2712	6.75917E-06
2713	6.75538E-06
2714	6.75198E-06
2715	6.7482E-06
2716	6.74481E-06
2717	6.74103E-06
2718	6.73765E-06
2719	6.73388E-06
2720	6.7305E-06
2721	6.72673E-06
2722	6.72336E-06
2723	6.7196E-06
2724	6.71624E-06
2725	6.71248E-06
2726	6.70912E-06
2727	6.70537E-06
2728	6.70202E-06
2729	6.69827E-06
2730	6.69493E-06
2731	6.69118E-06
2732	6.68784E-06
2733	6.68411E-06
2734	6.68077E-06
2735	6.67704E-06
2736	6.67372E-06
2737	6.66999E-06
2738	6.66667E-06
2739	6.66295E-06
2740	6.65963E-06
2741	6.65592E-06
2742	6.65261E-06
2743	6.6489E-06
2744	6.64559E-06
2745	6.64189E-06
2746	6.63859E-06
2747	6.63489E-06
2748	6.6316E-06
2749	6.62791E-06
2750	6.62462E-06
2751	6.62093E-06
2752	6.61765E-06
2753	6.61397E-06
2754	6.61069E-06
2755	6.60702E-06
2756	6.60374E-06
2757	6.60007E-06
2758	6.59681E-06
2759	6.59314E-06
2760	6.58988E-06
2761	6.58622E-06

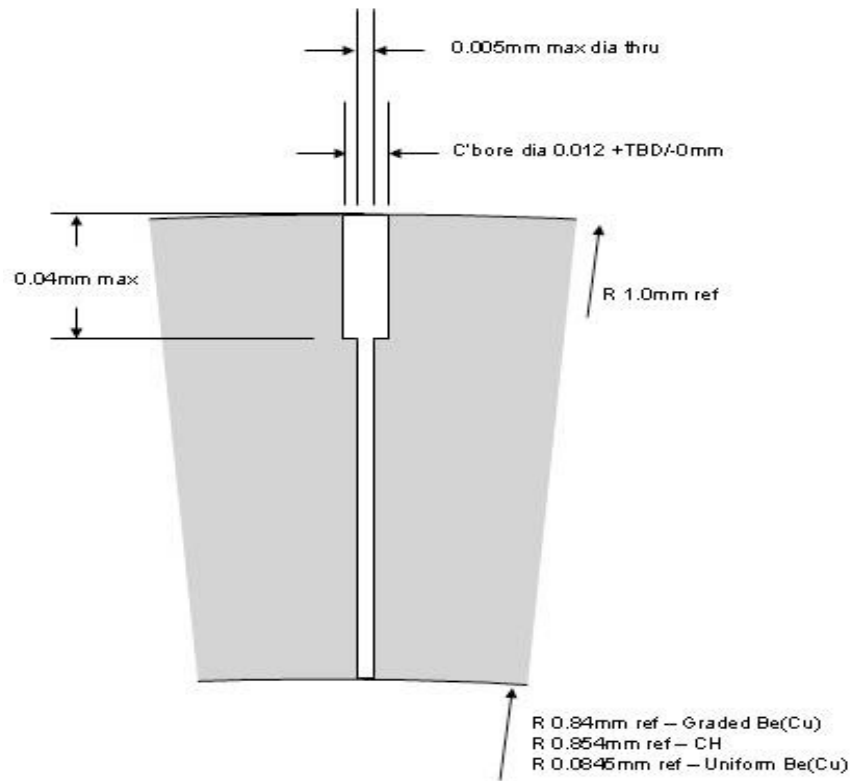
2762	6.58297E-06
2763	6.57931E-06
2764	6.57606E-06
2765	6.57241E-06
2766	6.56917E-06
2767	6.56553E-06
2768	6.56229E-06
2769	6.55865E-06
2770	6.55542E-06
2771	6.55178E-06
2772	6.54856E-06
2773	6.54493E-06
2774	6.54171E-06
2775	6.53809E-06
2776	6.53487E-06
2777	6.53125E-06
2778	6.52804E-06
2779	6.52443E-06
2780	6.52122E-06
2781	6.51762E-06
2782	6.51442E-06
2783	6.51082E-06
2784	6.50762E-06
2785	6.50402E-06
2786	6.50083E-06
2787	6.49724E-06
2788	6.49406E-06
2789	6.49048E-06
2790	6.48729E-06
2791	6.48372E-06
2792	6.48054E-06
2793	6.47697E-06
2794	6.4738E-06
2795	6.47023E-06
2796	6.46707E-06
2797	6.4635E-06
2798	6.46034E-06
2799	6.45679E-06
2800	6.45363E-06
2801	6.45008E-06
2802	6.44693E-06
2803	6.44338E-06
2804	6.44024E-06
2805	6.4367E-06
2806	6.43356E-06
2807	6.43002E-06
2808	6.42689E-06
2809	6.42336E-06
2810	6.42023E-06
2811	6.4167E-06
2812	6.41358E-06
2813	6.41006E-06
2814	6.40694E-06
2815	6.40342E-06
2816	6.40031E-06
2817	6.3968E-06
2818	6.39369E-06
2819	6.39019E-06
2820	6.38708E-06
2821	6.38358E-06
2822	6.38048E-06
2823	6.37699E-06
2824	6.3739E-06
2825	6.37041E-06
2826	6.36732E-06

2827	6.36383E-06
2828	6.36075E-06
2829	6.35727E-06
2830	6.35419E-06
2831	6.35072E-06
2832	6.34764E-06
2833	6.34417E-06
2834	6.34111E-06
2835	6.33764E-06
2836	6.33458E-06
2837	6.33112E-06
2838	6.32806E-06
2839	6.32461E-06
2840	6.32155E-06
2841	6.3181E-06
2842	6.31506E-06
2843	6.31161E-06
2844	6.30857E-06
2845	6.30513E-06
2846	6.30209E-06
2847	6.29865E-06
2848	6.29562E-06
2849	6.29219E-06
2850	6.28917E-06
2851	6.28574E-06
2852	6.28272E-06
2853	6.2793E-06
2854	6.27628E-06
2855	6.27286E-06
2856	6.26985E-06
2857	6.26644E-06
2858	6.26343E-06
2859	6.26002E-06
2860	6.25702E-06
2861	6.25362E-06
2862	6.25062E-06
2863	6.24723E-06
2864	6.24423E-06
2865	6.24084E-06
2866	6.23785E-06
2867	6.23447E-06
2868	6.23148E-06
2869	6.2281E-06
2870	6.22512E-06
2871	6.22175E-06
2872	6.21877E-06
2873	6.2154E-06
2874	6.21243E-06
2875	6.20906E-06
2876	6.2061E-06
2877	6.20274E-06
2878	6.19978E-06
2879	6.19642E-06
2880	6.19346E-06
2881	6.19011E-06
2882	6.18716E-06
2883	6.18381E-06
2884	6.18087E-06
2885	6.17752E-06
2886	6.17458E-06
2887	6.17124E-06
2888	6.16831E-06
2889	6.16497E-06
2890	6.16204E-06
2891	6.15871E-06

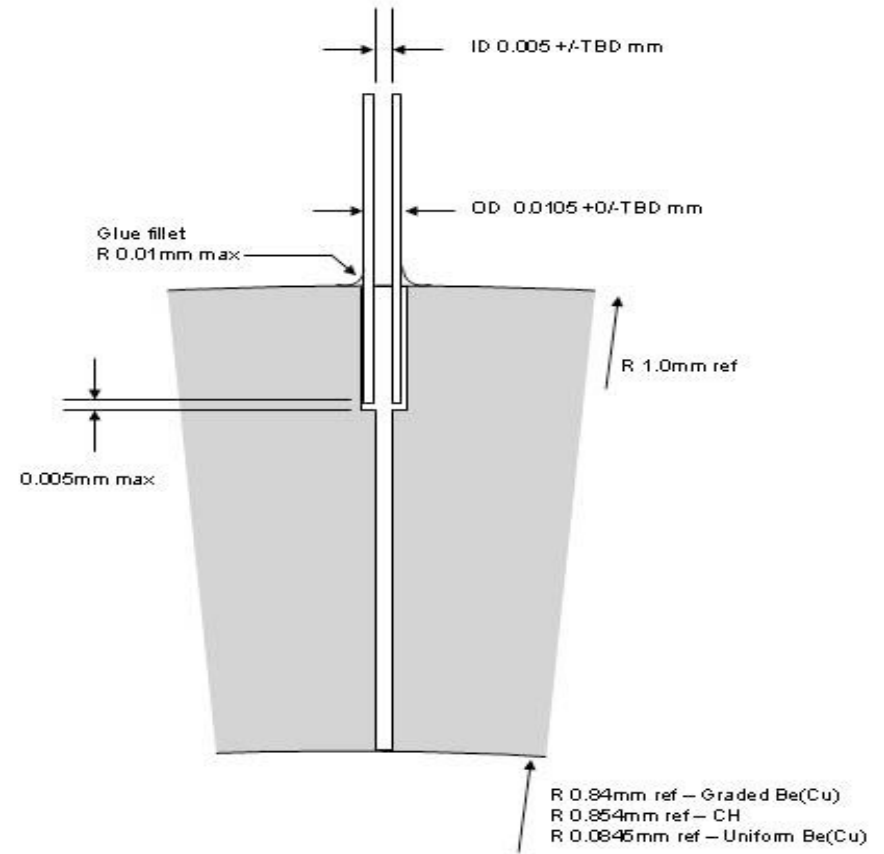
2892	6.15579E-06
2893	6.15246E-06
2894	6.14954E-06
2895	6.14622E-06
2896	6.14331E-06
2897	6.13999E-06
2898	6.13708E-06
2899	6.13377E-06
2900	6.13086E-06
2901	6.12755E-06
2902	6.12465E-06
2903	6.12135E-06
2904	6.11845E-06
2905	6.11515E-06
2906	6.11226E-06
2907	6.10897E-06
2908	6.10608E-06
2909	6.10279E-06
2910	6.09991E-06
2911	6.09662E-06
2912	6.09375E-06
2913	6.09047E-06
2914	6.08759E-06
2915	6.08432E-06
2916	6.08145E-06
2917	6.07818E-06
2918	6.07531E-06
2919	6.07205E-06
2920	6.06919E-06
2921	6.06593E-06
2922	6.06307E-06
2923	6.05981E-06
2924	6.05696E-06
2925	6.05371E-06
2926	6.05086E-06
2927	6.04762E-06
2928	6.04477E-06
2929	6.04153E-06
2930	6.03869E-06
2931	6.03545E-06
2932	6.03262E-06
2933	6.02939E-06
2934	6.02656E-06
2935	6.02333E-06
2936	6.02051E-06
2937	6.01728E-06
2938	6.01446E-06
2939	6.01124E-06
2940	6.00842E-06
2941	6.00521E-06
2942	6.0024E-06
2943	5.99919E-06
2944	5.99638E-06
2945	5.99317E-06
2946	5.99037E-06
2947	5.98717E-06
2948	5.98437E-06
2949	5.98117E-06
2950	5.97838E-06
2951	5.97518E-06
2952	5.9724E-06
2953	5.96921E-06
2954	5.96642E-06
2955	5.96324E-06
2956	5.96046E-06

2957	5.95728E-06
2958	5.9545E-06
2959	5.95132E-06
2960	5.94855E-06
2961	5.94538E-06
2962	5.94262E-06
2963	5.93945E-06
2964	5.93669E-06
2965	5.93352E-06
2966	5.93076E-06
2967	5.9276E-06
2968	5.92485E-06
2969	5.9217E-06
2970	5.91895E-06
2971	5.9158E-06
2972	5.91305E-06
2973	5.90991E-06
2974	5.90717E-06
2975	5.90402E-06
2976	5.90129E-06
2977	5.89815E-06
2978	5.89542E-06
2979	5.89228E-06
2980	5.88956E-06
2981	5.88643E-06
2982	5.8837E-06
2983	5.88058E-06
2984	5.87786E-06
2985	5.87474E-06
2986	5.87202E-06
2987	5.86891E-06
2988	5.8662E-06
2989	5.86308E-06
2990	5.86038E-06
2991	5.85727E-06
2992	5.85457E-06
2993	5.85146E-06
2994	5.84877E-06
2995	5.84567E-06
2996	5.84297E-06
2997	5.83988E-06
2998	5.83719E-06
2999	5.8341E-06
3000	5.83141E-06

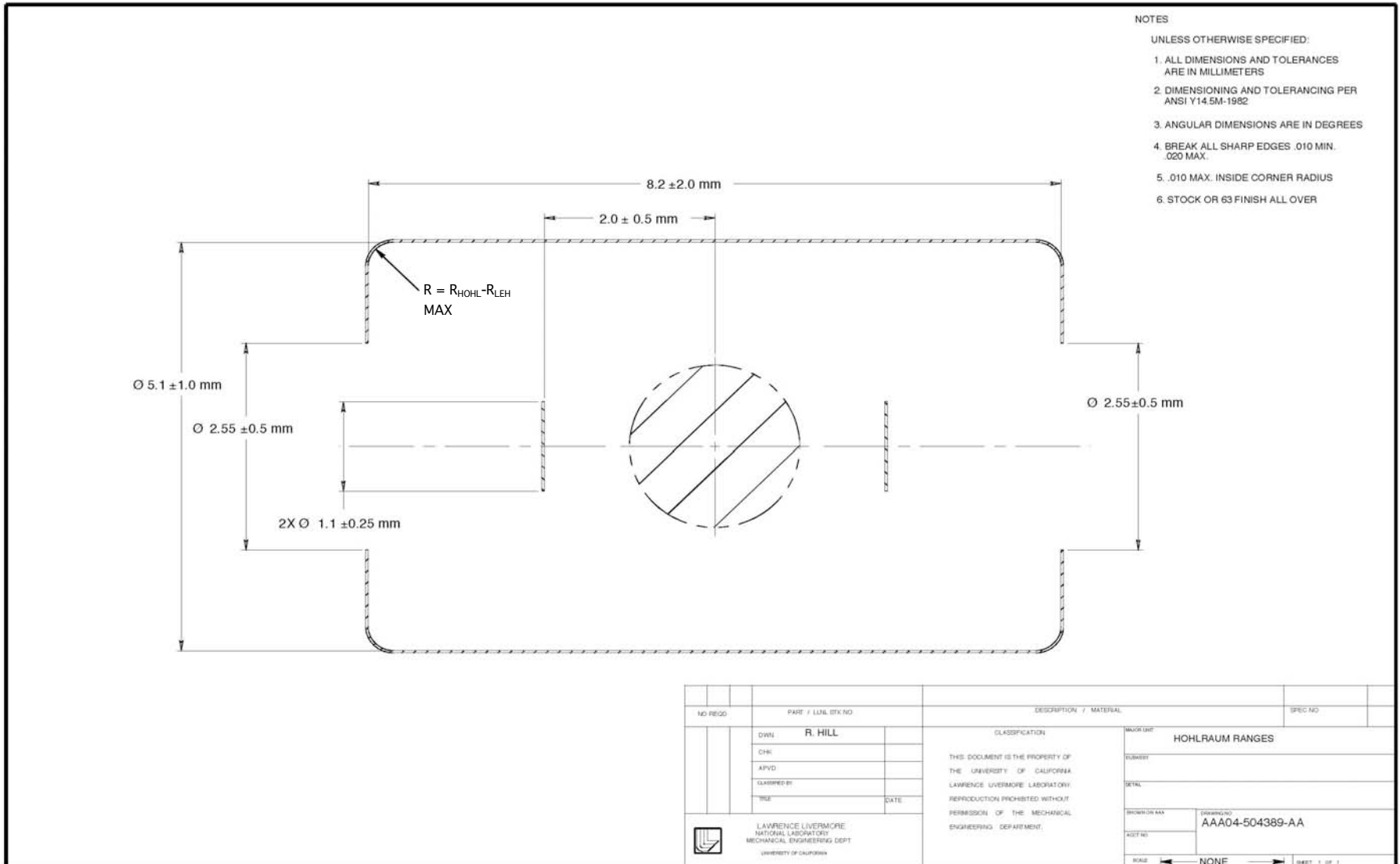
Fill hole configuration (a)



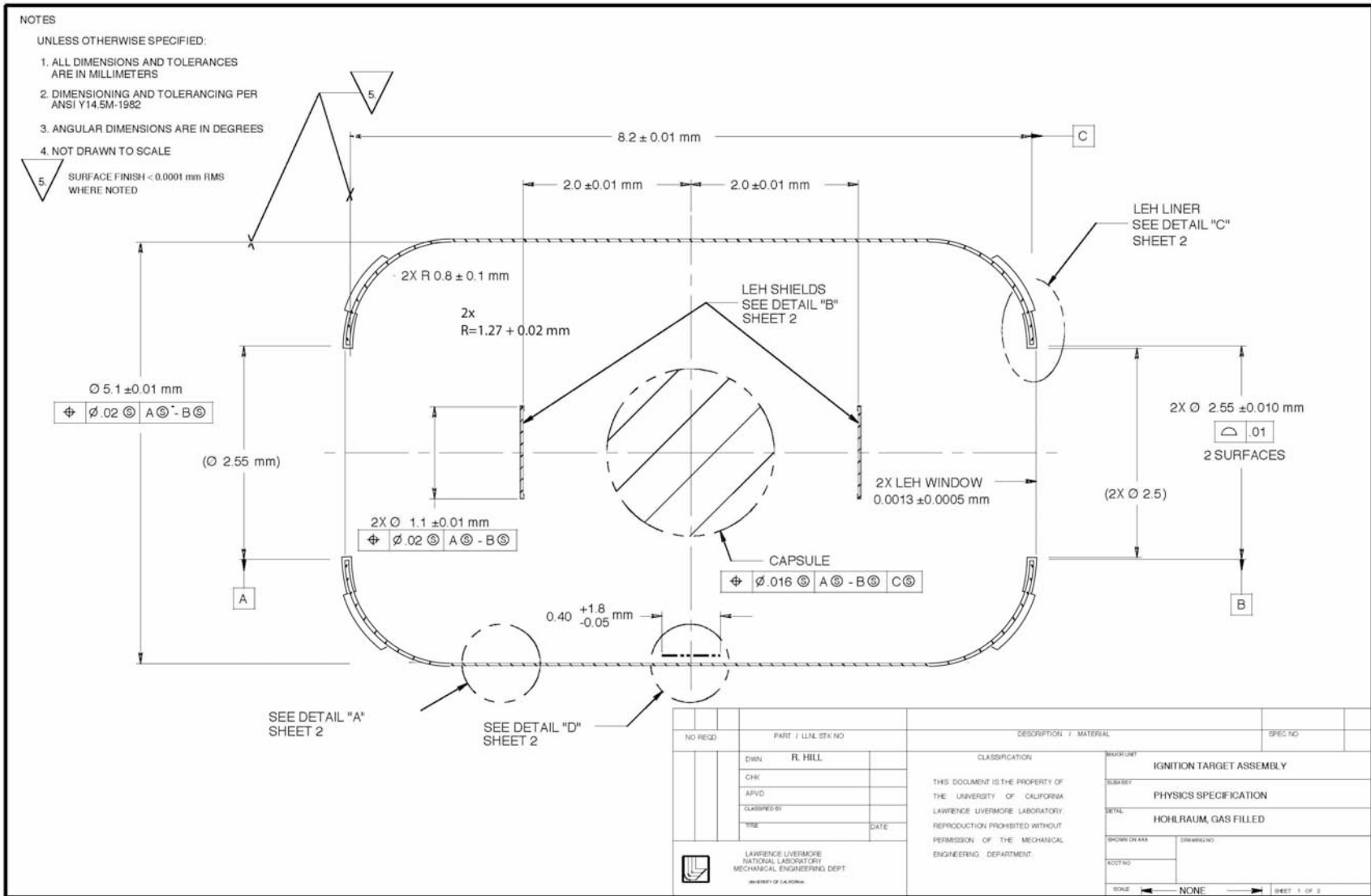
Fill tube installation (b)



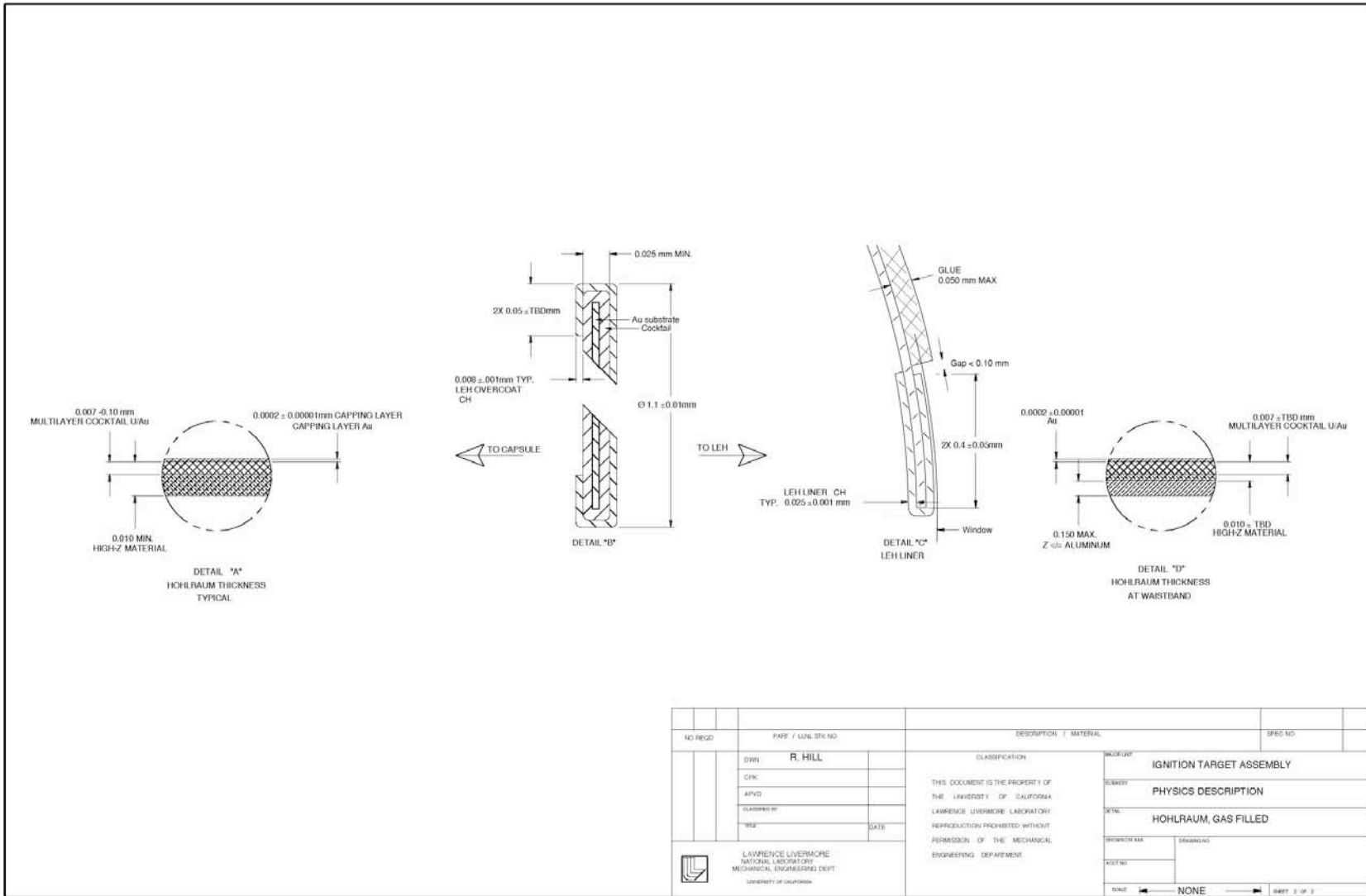
Range of possible hohlraum dimensions



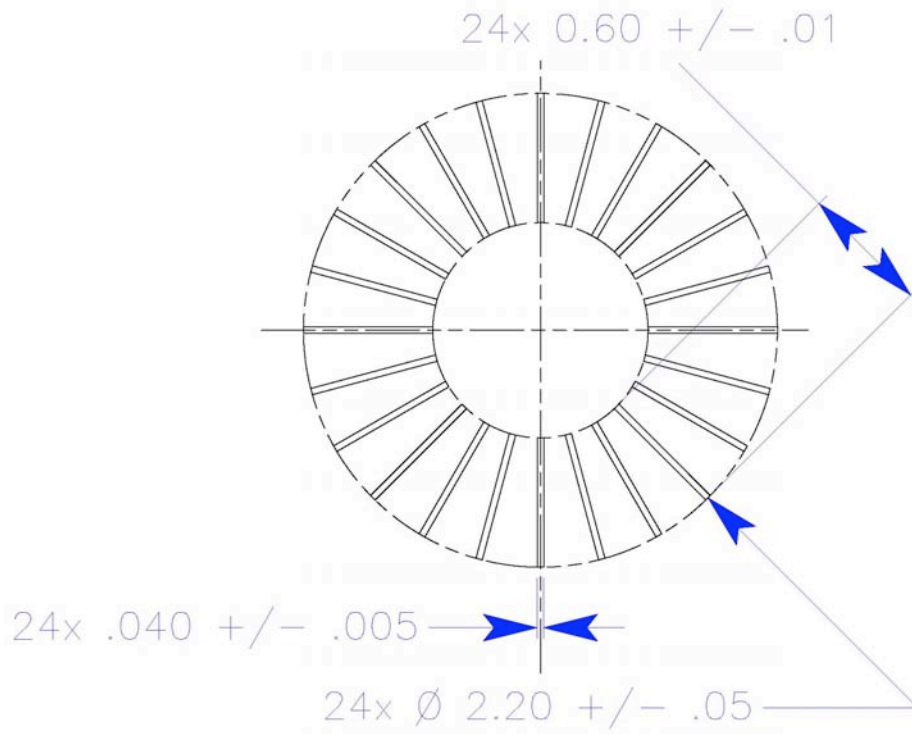
Gas filled hohlraum design (a)



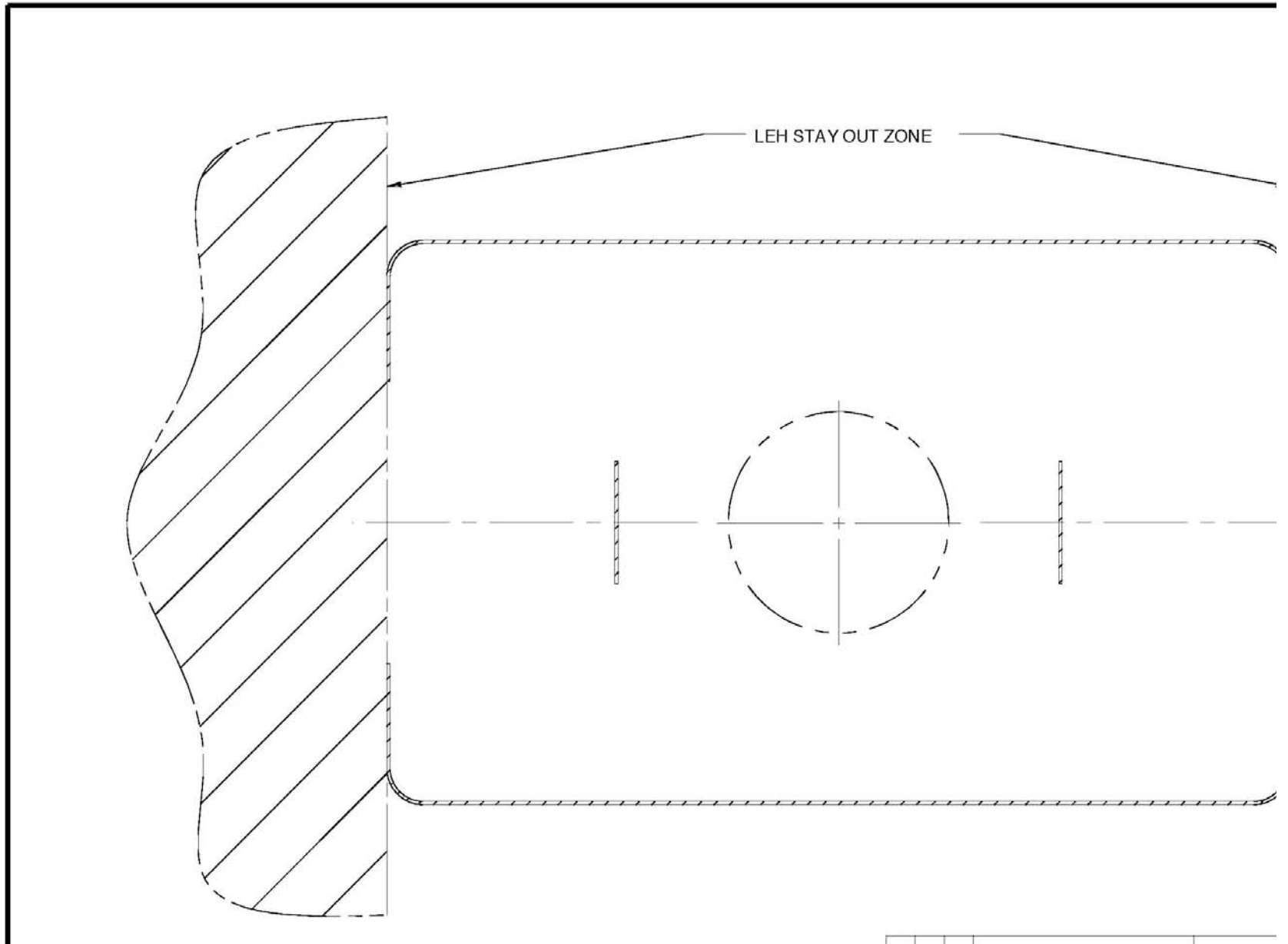
Gas filled hohlraum design (b)

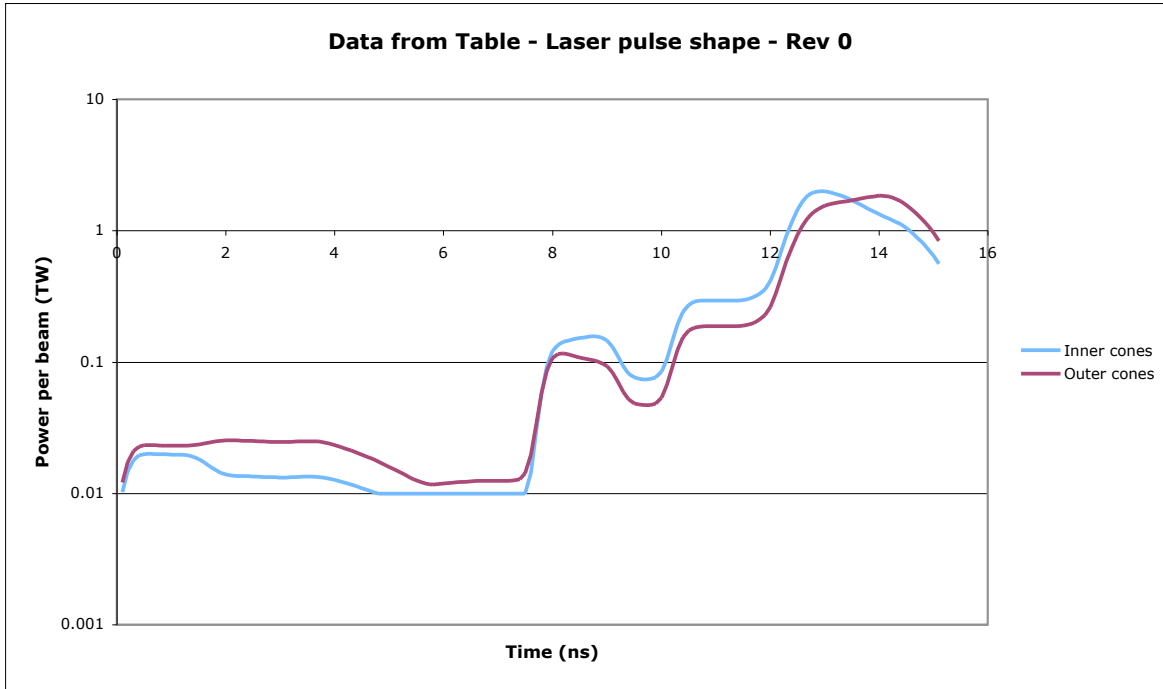


Hohlraum Starburst Pattern



LEH Stayout Zone - Rev 0





Laser pulse shape - Rev 0

time (ns)	Power per beam, 23.5 & 30 degree cones (TW)	Power per beam, 44.5 & 50 degree cones (TW)
0	0.00E+00	0.00E+00
0.1	0.010278	0.0121111
0.2	0.0148291	0.0173658
0.3	0.0180097	0.0210379
0.4	0.0195137	0.0227739
0.5	0.0199712	0.0233014
0.6	0.0200267	0.0233647
0.7	0.0199818	0.0233122
0.8	0.0199206	0.0232408
0.9	0.0198592	0.0231693
1	0.0198022	0.0231047
1.1	0.0197484	0.0230574
1.2	0.0196697	0.023047
1.3	0.0194778	0.0231099
1.4	0.0190394	0.0232961
1.5	0.0182764	0.0236312
1.6	0.0172527	0.0240821
1.7	0.0161377	0.0245691
1.8	0.0151257	0.0249989
1.9	0.0143746	0.0252927
2	0.0139362	0.0254246
2.1	0.0137341	0.0254328
2.2	0.013646	0.025377
2.3	0.0135901	0.0252932
2.4	0.0135344	0.0251922
2.5	0.0134729	0.025078
2.6	0.0134087	0.0249585
2.7	0.0133488	0.024847
2.8	0.0133015	0.0247591
2.9	0.0132723	0.0247047
3	0.0132605	0.0246828
3.1	0.013265	0.0246912
3.2	0.0132907	0.024739
3.3	0.013342	0.0248344
3.4	0.0134064	0.0249539
3.5	0.0134544	0.0250411
3.6	0.0134566	0.0250368
3.7	0.013389	0.0248883
3.8	0.0132335	0.0245532
3.9	0.0129919	0.024034

Laser peak power and total energy for required pulse shapes - Rev 0

	Per Beam	For 192 beams
Total Energy		
inner cone	5.068 kJ	973.0 MJ
outer cone	4.967 kJ	953.7 MJ
Peak power		
inner cone	2.000 TW	384.1 TW
outer cone	1.851 TW	355.4 TW

4	0.012691	0.0233874
4.1	0.0123626	0.0226819
4.2	0.0120259	0.0219583
4.3	0.0116874	0.0212311
4.4	0.0113479	0.020503
4.5	0.0110045	0.0197725
4.6	0.0106495	0.0190349
4.7	0.0102715	0.0182834
4.8	0.01	0.017515
4.9	0.01	0.0167358
5	0.01	0.0159604
5.1	0.01	0.0152058
5.2	0.01	0.0144829
5.3	0.01	0.0137923
5.4	0.01	0.0131371
5.5	0.01	0.0125489
5.6	0.01	0.0120938
5.7	0.01	0.0118291
5.8	0.01	0.0117487
5.9	0.01	0.011788
6	0.01	0.0118795
6.1	0.01	0.0119861
6.2	0.01	0.0120953
6.3	0.01	0.0122036
6.4	0.01	0.0123067
6.5	0.01	0.012396
6.6	0.01	0.0124608
6.7	0.01	0.0124971
6.8	0.01	0.0125119
6.9	0.01	0.0125161
7	0.01	0.0125169
7.1	0.01	0.0125172
7.2	0.01	0.0125204
7.3	0.01	0.0125548
7.4	0.01	0.0128184
7.5	0.01	0.01425
7.6	0.0143978	0.0196799
7.7	0.0299697	0.033784
7.8	0.0584624	0.0583475
7.9	0.0929264	0.0864126
8	0.120611	0.106807
8.1	0.135989	0.115398
8.2	0.142918	0.116212
8.3	0.146652	0.114139
8.4	0.14965	0.111432
8.5	0.15248	0.108696
8.6	0.155064	0.10615
8.7	0.157005	0.103963
8.8	0.157431	0.101942
8.9	0.154577	0.0989487
9	0.145991	0.0930431
9.1	0.130616	0.0831429
9.2	0.111234	0.0707878
9.3	0.0935306	0.0595197
9.4	0.0818247	0.0520702
9.5	0.076282	0.048543
9.6	0.0744283	0.0473633
9.7	0.0740382	0.0471151
9.8	0.0743536	0.0473158
9.9	0.0764887	0.0486745
10	0.0845587	0.05381
10.1	0.105625	0.0672162
10.2	0.144401	0.091892
10.3	0.195235	0.124241
10.4	0.242713	0.154454
10.5	0.274055	0.174399
10.6	0.288511	0.183598
10.7	0.293124	0.186533
10.8	0.294134	0.187176
10.9	0.294286	0.187272
11	0.294301	0.187282
11.1	0.294304	0.187284

11.2	0.294321	0.187295
11.3	0.29445	0.187377
11.4	0.295104	0.187793
11.5	0.297361	0.18923
11.6	0.302883	0.192744
11.7	0.313159	0.199283
11.8	0.329866	0.209915
11.9	0.358695	0.228261
12	0.415004	0.264095
12.1	0.5217	0.331995
12.2	0.692903	0.440977
12.3	0.921016	0.586441
12.4	1.18385	0.755493
12.5	1.4535	0.934464
12.6	1.69433	1.10899
12.7	1.87033	1.26485
12.8	1.96727	1.3929
12.9	2.00031	1.49049
13	1.99439	1.55883
13.1	1.96537	1.60296
13.2	1.91869	1.63208
13.3	1.85626	1.65542
13.4	1.78219	1.67876
13.5	1.7033	1.7049
13.6	1.62531	1.73481
13.7	1.55022	1.7678
13.8	1.47755	1.80163
13.9	1.40728	1.83197
14	1.34135	1.85089
14.1	1.28234	1.84835
14.2	1.22967	1.81785
14.3	1.17746	1.75938
14.4	1.11828	1.67621
14.5	1.0489	1.57321
14.6	0.971628	1.45743
14.7	0.890533	1.3358
14.8	0.808258	1.21237
14.9	0.725798	1.08859
15	0.643177	0.964763
15.1	0.560603	0.8409
15.2	0.478029	0.717038
15.3	0.403282	0.593173

Laser Spot Shapes - Rev 0

NOTE: Spot shape requirement is TBD. The following data table is a sample intended only to show the form of the requirement

Distance from reference contour (μm)	Relative intensity	Inner cone					Outer cone				
		23.5 degree cone		30 degree cone		Contour intensity (W/cm ²)	44.5 degree cone		50 degree cone		Contour intensity (W/cm ²)
		a (μm)	b (μm)	a (μm)	b (μm)		a (μm)	b (μm)	a (μm)	b (μm)	
-250	1.000000	268	213	289	195	1.02E+15	187	25	225	3	1.95E+15
-200	0.971165	318	263	339	245	9.90E+14	237	75	275	53	1.89E+15
-150	0.924546	368	313	389	295	9.43E+14	287	125	325	103	1.80E+15
-100	0.839510	418	363	439	345	8.56E+14	337	175	375	153	1.64E+15
-50	0.698820	468	413	489	395	7.13E+14	387	225	425	203	1.36E+15
0	0.500000	518	463	539	445	5.10E+14	437	275	475	253	9.75E+14
50	0.310568	568	513	589	495	3.17E+14	487	325	525	303	6.05E+14
100	0.173717	618	563	639	545	1.77E+14	537	375	575	353	3.39E+14
150	0.090788	668	613	689	595	9.26E+13	587	425	625	403	1.77E+14
200	0.045229	718	663	739	645	4.61E+13	637	475	675	453	8.82E+13
250	0.022702	768	713	789	695	2.32E+13	687	525	725	503	4.43E+13
300	0.012206	818	763	839	745	1.24E+13	737	575	775	553	2.38E+13
350	0.007038	868	813	889	795	7.18E+12	787	625	825	603	1.37E+13
400	0.004310	918	863	939	845	4.40E+12	837	675	875	653	8.40E+12
450	0.002763	968	913	989	895	2.82E+12	887	725	925	703	5.39E+12
500	0.001876	1018	963	1039	945	1.91E+12	937	775	975	753	3.66E+12
scale = 0.80		23.5 a/b = 1.12		30 a/b = 1.21			44.5 a/b = 1.59		50 a/b = 1.88		
		A(mm ²)= 0.7845		A(mm ²)= 0.7844			A(mm ²)= 0.4105		A(mm ²)= 0.4102		
quad power (TW) = 8.00						quad power (TW) = 8.00					

Notes:

1. Intensity contours are constant displacement d from reference ellipse d=0.
2. The a and b values are orthogonal displacements relative to beam center.
3. Spot scale 0.8 has been used in all Lasnex calculations of 1.0 MJ designs.
4. You can adjust spot scale (D1) or quad power (F24 and K24) to see effects.
5. From Munro's file D1spot20050815

Beam pointing - Rev 0

Cone, degrees	Beam aim point radial distance from hohlraum axis (μm)	Beam aim point Z-coordinate, from LEH plane (μm)
23.5	600	0
30	300	0
44.5	0	0
50	0	0

Requirements for pre-ignition experimental programs. These are not requirements for fielding or fabrication, but are included here to provide a common source for information on the requirements that drive the experimental programs leading up to ignition.

Description	Remark	Requirement
Peak temperature		300 eV
Maximum reproducible part of backscatter	Energy lost, reproducibly shot to shot	15%
Maximum irreproducible part of backscatter	Average 0%	10% rms
Hot electrons, fraction of laser energy	Maximum allowable fraction of energy is function of T_{hot} , log-in interpolation of these points $T_{hot} = 10$ keV < 5% $T_{hot} = 30$ keV < 0.5% $T_{hot} = 70$ keV < 0.1%	
M-band uncertainty	Measure spectrum in 1.5-4 keV range to $\pm 30\%$. Current model is assumed to be within 50 %	50%
Cone-to-cone scatter, reproducible part		5%
Cone-to-cone scatter, irreproducible part		2%
Intrinsic asymmetry, mode 2 average	All asymmetries are given as PI coefficients, in flux. If non-zero m values are present, they are to included in an effective PI coefficient with the same rms as the total.	0.25%
Intrinsic asymmetry, mode 4 average		0.25%
Intrinsic asymmetry, mode 2 foot		0.50%
Intrinsic asymmetry, mode 4 foot		0.50%
Intrinsic asymmetry, time-average, rms in modes >4, foot		0.50%
Intrinsic asymmetry, time average, rms sum in modes >4, peak		0.25%
Intrinsic asymmetry, mode 2 swings during foot, 2ns average		10%
Intrinsic asymmetry, mode 4 swings during foot		5%
Intrinsic asymmetry, mode 5 swings during foot		4%
Intrinsic asymmetry, mode 6 swings during foot		3%
Intrinsic asymmetry, mode 2 swings during peak		5%
Intrinsic asymmetry, mode 4 swings during peak		3%
Intrinsic asymmetry, mode 5 swings during peak		2%
Intrinsic asymmetry, mode 6 swings during peak		2%
Preheat asymmetry		TBD
Strength of first shock (reproducibility)	Shock strengths are given as % variation in flux, and are meant to constrain reproducibility not absolute value.	3%
Strength of second shock		3%
Strength of 3rd shock		3%
Strength of 4th shock		5%
Time of 1st shock	Times are relative to time outer cone power = 1TW per beam	100ps
Time of 2nd shock		50 ps
Time of 3rd shock		50 ps
Time of 4th shock		100 ps
Shape of rise to peak		TBD
Ablation rate (total mass ablated until peak velocity)		1%
Be microstructure as seed for RT		Velocity of ablator/DT interface, 100 ps after breakout of first shock, uniform to $2:10^4$
RT growth confirmation		TBD

Alternate Capsule Requirements - CH

Number	Rev	WBS	Component	Title	short req't	Requirement Text
CH1	0	I.4.1.1	CH Capsule	Applicability of other requirements		All requirements in table "Point Design Req'ts" except those designated for component "Layered Be capsule" shall apply to the CH capsule
CH2	0	I.4.1.1.4	CH Capsule	Ablator composition	see table	The ablator material shall be C:H:O 0.43:0.56:0.01. C:H ratio shall be within 10% of specified. O at% shall be less than 4%. Dopant Ge fraction shall be as specified in Table "Ablator layer requirements for CH Capsule - Rev 0." Atomic fraction x of Ge reduces C atomic fraction by x, leaving H and O fractions unchanged.
CH3	0	I.4.1.1.3	CH Capsule	Ablator total thickness - range of possible requested values	140-160 µm	Capsule ablator shall be producible with total ablator thickness within the range 140-160µm. The ablator thickness for each capsule will be specified within that range. Current design 146 µm.
CH4	0	I.4.1.1.3	CH Capsule	Ablator Dopant	Ge	The dopant material for all doped layers shall be Ge
CH5	0	I.4.1.1.3	CH Capsule	Ablator layer thicknesses	see table	The thickness of the layers within the ablator shall be as listed in Table "Ablator layer requirements for CH Capsule - Rev 0"
CH6	0	I.4.1.1.3	CH Capsule	Ablator layer dopant concentration	see table	The dopant concentration in each of the layers within the ablator shall be as listed in Table "Ablator layer requirements for CH Capsule - Rev 0"
CH7	0	I.4.1.1.3	CH Capsule	Ablator layer density	see table	The density of each of the layers within the ablator shall be as listed in Table "Ablator layer requirements for CH Capsule - Rev 0"
CH8	0	I.4.1.1.3	CH Capsule	Ablator inner surface figure	see table	The power spectrum of the deviation of the inner surface of the Be ablator from a perfect sphere of the same average radius shall not exceed the spectrum in Table "Surface roughness and thickness power spectra for layered CH capsule - Rev 0". "Shall not exceed" means that the 2D power in modes 1-12 shall be less than that tabulated, and the 1D power in a trace, summed over any +/- 15% bandwidth above mode 12 shall be less than that of the same bandwidth for the reference power spectra.
CH9	0	I.4.1.1.3	CH Capsule	Ablator thickness non-uniformity	see table	The power spectra of the non-uniformity of the cumulative thickness of each layer shall not exceed the spectrum in Table "Surface roughness and thickness power spectra for layered CH capsule - Rev 0". "Shall not exceed" means that the 2D power in modes 1-12 shall be less than that tabulated, and the 1D power in a trace, summed over any +/- 15% bandwidth above mode 12 shall be less than that of the same bandwidth for the reference power spectra.

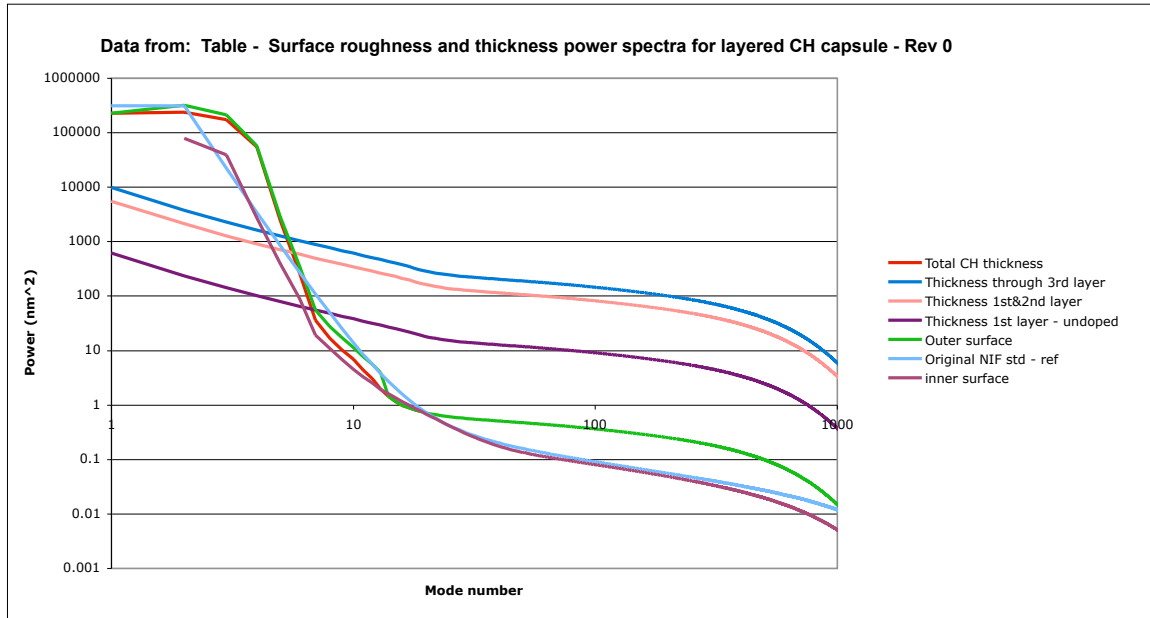
Ablator layer requirements for CH Capsule - Rev 0

Layer no	Point Design Inner Radius, μm (ref)	Point Design Outer Radius, μm (ref)	Required Thickness, μm	Required Dopant Concentration, at %	Required Density, g/cc (note 1)
Total, all layers	854	1000	146 +/- 3	n/a	n/a
4	916	1000	as required (nominally 84)	outer 70 μm <0.05 outer 80 μm < 0.10	1.09 +/- 3%
3	906	916	10 +/- 2.5	0.4 +/- 0.1	1.13 +/- 3%
2	864	906	42 +/- 3	0.8 +/- 0.1	1.18 +/- 3%
1	854	864	10 +/- 1.5	inner 3 μm , <0.05	1.09 +/- 3%

Notes

- Note that Capsule-to-capsule density variations are limited by another requirement to +/- 1.5%

Surface roughness and thickness power spectra for layered CH capsule - Rev 0



- Notes:
1. First table is 2D power, in nm², applies to modes 1-12
 2. Second table is the 1D power for each surface in a trace, in nm². Applies to modes >12, included for low modes for information only.
 3. Inner surface roughness is defined relative to an ideal sphere of the same average radius.
 Other surfaces are all defined relative to inner surfaces, i.e. they are actually the variation in the thickness
 4. Coding that generates trace powers is in Haan's file surfacesCH093005.i
 5. Outer surface relative to inner surface. Note does not apply at modes 20 and above.
 6. At low modes, assumes inner surface and thickness are randomly phased.
 At high modes, assumes inner & outer surfaces randomly phased.
 7. Second dopant surface, relative to inside of CH shell
 8. Third dopant surface, relative to inside of Ch shell

Mode number	Original NIF standard, for reference, nm ²	Inner surface (radius), nm ²	Total shell thickness, nm ² (note 5)	Outer surface, nm ² (note 6)	Thickness of first doped layer, nm ²	Thickness of 1st+2nd doped layer, nm ² (note 7)	Thickness of 1st+2nd+3rd doped layer, nm ² (note 8)
2D power							
1	not applicable		122500	122500	505.509	4549.58	8088.14
2		101667	275625	377292	210.629	1895.66	3370.06
3		61529.2	275625	337154.2	131.058	1179.52	2096.93
4		4911.74	99225	104136.74	94.7829	853.046	1516.53
5		778.152	4900	5678.152	74.1413	667.272	1186.26
6		185.31	566.44	751.75	60.8483	547.634	973.572
7		35.5897	70	105.5897	51.5825	464.243	825.32
8		19.7554	31.36	51.1154	44.7586	402.827	716.137
9		12.4171	20	32.4171	39.5254	355.728	632.406
10		7.98983	14	21.98983	35.3856	318.471	566.17
11		5.80356	9	14.80356	32.0295	288.265	512.472
12		4.34232	6	10.34232	29.254	263.286	468.064
1D trace power							
1	3.13E+05		227025	2.27E+05	609.848	5488.63	9757.56
2	313000	77828.8	237851	315679.8	233.075	2097.68	3729.21
3	22000	38678.5	173623	212301.5	141.214	1270.93	2259.43
4	3440	2737.4	54411.7	57149.1	101.065	909.581	1617.03
5	840	394.719	2432.86	2827.579	78.846	709.614	1261.54
6	272	90.2859	265.775	356.0609	64.6481	581.833	1034.37
7	107	19.2375	35.6521	54.8896	54.9403	494.463	879.045
8	48.8	10.7192	16.6239	27.3431	47.7266	429.54	763.626
9	24.9	6.79828	10.2291	17.02738	42.3206	380.886	677.13
10	14	4.52319	6.91169	11.43488	37.9325	341.392	606.92
11	8.48	3.29369	4.41024	7.70393	34.4913	310.421	551.86
12	5.48	2.51608	3.00411	5.52019	31.5047	283.542	504.075
13	3.74	1.92477	1.96865	3.89342	29.115	262.035	465.841
14	2.68	1.57638	1.42527	1.42527	26.9023	242.121	430.437
15	2	1.32717	1.1256	1.1256	25.1294	226.165	402.071
16	1.55	1.14487	0.97817	0.97817	23.3403	210.062	373.444
17	1.24	0.995459	0.87737	0.87737	21.9342	197.408	350.948
18	1.01	0.871942	0.805799	0.805799	20.145	181.305	322.32
19	0.851	0.769054	0.753231	0.753231	18.8308	169.477	301.292
20	0.729	0.682765	0.71343	0.71343	17.8357	160.522	285.372
21	0.635	0.609953	0.68246	0.68246	17.0615	153.553	272.984
22	0.561	0.548169	0.657763	0.657763	16.4441	147.997	263.105
23	0.503	0.495473	0.637628	0.637628	15.9407	143.466	255.051
24	0.455	0.450315	0.620881	0.620881	15.522	139.698	248.352
25	0.416	0.411445	0.6067	0.6067	15.1675	136.508	242.68
26	0.384	0.377848	0.594496	0.594496	14.8624	133.762	237.798
27	0.357	0.348694	0.583837	0.583837	14.5959	131.363	233.535

28	0.333	0.323299	0.574406	14.3602	129.241	229.762
29	0.313	0.301098	0.565961	14.149	127.341	226.384
30	0.296	0.281623	0.558319	13.958	125.622	223.328
31	0.281	0.26448	0.551336	13.7834	124.051	220.535
32	0.268	0.249339	0.544903	13.6226	122.603	217.961
33	0.256	0.235925	0.538929	13.4732	121.259	215.572
34	0.245	0.224001	0.533346	13.3336	120.003	213.338
35	0.236	0.213368	0.528095	13.2024	118.821	211.238
36	0.227	0.203857	0.52313	13.0783	117.704	209.252
37	0.219	0.195324	0.518414	12.9604	116.643	207.366
38	0.212	0.187643	0.513915	12.8479	115.631	205.566
39	0.205	0.180709	0.509608	12.7402	114.662	203.843
40	0.199	0.17443	0.505469	12.6367	113.731	202.188
41	0.194	0.168726	0.501482	12.5371	112.833	200.593
42	0.189	0.16353	0.49763	12.4408	111.967	199.052
43	0.184	0.158782	0.493901	12.3475	111.128	197.56
44	0.179	0.15443	0.490282	12.2571	110.314	196.113
45	0.175	0.15043	0.486765	12.1691	109.522	194.706
46	0.171	0.146742	0.483341	12.0835	108.752	193.336
47	0.168	0.143332	0.480002	12.0001	108.001	192.001
48	0.164	0.14017	0.476743	11.9186	107.267	190.697
49	0.161	0.137231	0.473557	11.8389	106.55	189.423
50	0.158	0.13449	0.470441	11.761	105.849	188.176
51	0.155	0.131928	0.467388	11.6847	105.162	186.955
52	0.152	0.129526	0.464396	11.6099	104.489	185.759
53	0.15	0.12727	0.461462	11.5365	103.829	184.585
54	0.147	0.125145	0.458581	11.4645	103.181	183.433
55	0.145	0.123138	0.455752	11.3938	102.544	182.301
56	0.142	0.121239	0.452972	11.3243	101.919	181.189
57	0.14	0.119438	0.450239	11.256	101.304	180.096
58	0.138	0.117726	0.44755	11.1887	100.699	179.02
59	0.136	0.116096	0.444904	11.1226	100.103	177.961
60	0.134	0.11454	0.442299	11.0575	99.5172	176.919
61	0.132	0.113053	0.439733	10.9933	98.9399	175.893
62	0.13	0.111629	0.437205	10.9301	98.3712	174.882
63	0.129	0.110263	0.434714	10.8679	97.8107	173.886
64	0.127	0.10895	0.432259	10.8065	97.2582	172.904
65	0.125	0.107687	0.429838	10.7459	96.7135	171.935
66	0.124	0.10647	0.42745	10.6862	96.1762	170.98
67	0.122	0.105296	0.425094	10.6273	95.6461	170.038
68	0.121	0.104162	0.422769	10.5692	95.1231	169.108
69	0.12	0.103064	0.420475	10.5119	94.607	168.19
70	0.118	0.102002	0.418211	10.4553	94.0975	167.284
71	0.117	0.100971	0.415975	10.3994	93.5944	166.39
72	0.116	0.0999717	0.413768	10.3442	93.0977	165.507
73	0.114	0.0990008	0.411587	10.2897	92.6071	164.635
74	0.113	0.0980568	0.409433	10.2358	92.1225	163.773
75	0.112	0.0971383	0.407306	10.1826	91.6438	162.922
76	0.111	0.096244	0.405204	10.1301	91.1708	162.081
77	0.11	0.0953724	0.403126	10.0782	90.7034	161.25
78	0.109	0.0945225	0.401073	10.0268	90.2414	160.429
79	0.108	0.0936932	0.399044	9.97609	89.7848	159.617
80	0.107	0.0928834	0.397037	9.92593	89.3334	158.815
81	0.106	0.0920922	0.395054	9.87635	88.8871	158.022
82	0.105	0.0913188	0.393093	9.82731	88.4458	157.237
83	0.104	0.0905624	0.391153	9.77883	88.0095	156.461
84	0.103	0.0898222	0.389235	9.73088	87.5779	155.694
85	0.102	0.0890975	0.387338	9.68345	87.151	154.935
86	0.101	0.0883878	0.385461	9.63653	86.7288	154.185
87	0.1	0.0876923	0.383605	9.59012	86.3111	153.442
88	0.0992	0.0870106	0.381768	9.5442	85.8978	152.707
89	0.0984	0.0863421	0.379951	9.49877	85.4889	151.98
90	0.0976	0.0856863	0.378152	9.45381	85.0842	151.261
91	0.0968	0.0850428	0.376372	9.40931	84.6838	150.549
92	0.096	0.0844111	0.374611	9.36528	84.2875	149.844
93	0.0953	0.0837908	0.372868	9.32169	83.8952	149.147
94	0.0945	0.0831815	0.371142	9.27855	83.5069	148.457
95	0.0938	0.0825829	0.369433	9.23584	83.1225	147.773
96	0.0931	0.0819946	0.367742	9.19355	82.742	147.097
97	0.0924	0.0814163	0.366068	9.15169	82.3652	146.427
98	0.0917	0.0808476	0.364409	9.11023	81.9921	145.764
99	0.091	0.0802883	0.362767	9.06919	81.6227	145.107
100	0.0904	0.079738	0.361141	9.02854	81.2568	144.457
101	0.0897	0.0791966	0.359531	8.98828	80.8945	143.812
102	0.0891	0.0786638	0.357936	8.9484	80.5356	143.174
103	0.0885	0.0781392	0.356356	8.9089	80.1801	142.542
104	0.0879	0.0776228	0.354791	8.86978	79.828	141.916
105	0.0873	0.0771142	0.353241	8.83102	79.4792	141.296
106	0.0867	0.0766133	0.351705	8.79262	79.1336	140.682
107	0.0861	0.0761197	0.350183	8.75458	78.7912	140.073
108	0.0855	0.0756335	0.348675	8.71689	78.452	139.47
109	0.085	0.0751543	0.347181	8.67954	78.1158	138.873
110	0.0844	0.0746819	0.345701	8.64252	77.7827	138.28
111	0.0839	0.0742163	0.344234	8.60584	77.4526	137.693
112	0.0833	0.0737572	0.342779	8.56949	77.1254	137.112
113	0.0828	0.0733044	0.341338	8.53346	76.8011	136.535
114	0.0823	0.0728579	0.33991	8.49774	76.4797	135.964
115	0.0818	0.0724175	0.338494	8.46234	76.1611	135.397
116	0.0813	0.071983	0.33709	8.42725	75.8452	134.836
117	0.0808	0.0715542	0.335698	8.39246	75.5321	134.279
118	0.0803	0.0711311	0.334319	8.35797	75.2217	133.727
119	0.0798	0.0707136	0.332951	8.32377	74.9139	133.18
120	0.0793	0.0703014	0.331594	8.28986	74.6088	132.638
121	0.0789	0.0698945	0.33025	8.25624	74.3062	132.1
122	0.0784	0.0694928	0.328916	8.2229	74.0061	131.566

123	0.078	0.0690961	0.327593	8.18984	73.7085	131.037
124	0.0775	0.0687044	0.326282	8.15704	73.4134	130.513
125	0.0771	0.0683175	0.324981	8.12452	73.1207	129.992
126	0.0766	0.0679353	0.323691	8.09227	72.8304	129.476
127	0.0762	0.0675578	0.322411	8.06027	72.5424	128.964
128	0.0758	0.0671847	0.321141	8.02853	72.2568	128.457
129	0.0754	0.0668162	0.319882	7.99705	71.9735	127.953
130	0.075	0.0664519	0.318633	7.96582	71.6924	127.453
131	0.0746	0.066092	0.317393	7.93483	71.4135	126.957
132	0.0742	0.0657362	0.316163	7.90409	71.1368	126.465
133	0.0738	0.0653845	0.314943	7.87358	70.8622	125.977
134	0.0734	0.0650368	0.313733	7.84331	70.5898	125.493
135	0.073	0.064693	0.312531	7.81328	70.3195	125.012
136	0.0726	0.0643531	0.311339	7.78348	70.0513	124.536
137	0.0723	0.064017	0.310156	7.7539	69.7851	124.062
138	0.0719	0.0636846	0.308982	7.72454	69.5209	123.593
139	0.0715	0.0633558	0.307816	7.69541	69.2587	123.127
140	0.0712	0.0630306	0.30666	7.66649	68.9984	122.664
141	0.0708	0.0627089	0.305512	7.63779	68.7401	122.205
142	0.0705	0.0623906	0.304372	7.6093	68.4837	121.749
143	0.0701	0.0620758	0.30324	7.58101	68.2291	121.296
144	0.0698	0.0617642	0.302117	7.55293	67.9764	120.847
145	0.0694	0.0614559	0.301002	7.52506	67.7255	120.401
146	0.0691	0.0611508	0.299895	7.49738	67.4765	119.958
147	0.0688	0.0608488	0.298796	7.46991	67.2292	119.519
148	0.0684	0.0605499	0.297705	7.44262	66.9836	119.082
149	0.0681	0.060254	0.296621	7.41553	66.7398	118.649
150	0.0678	0.0599611	0.295545	7.38863	66.4977	118.218
151	0.0675	0.0596712	0.294477	7.36191	66.2572	117.791
152	0.0672	0.0593841	0.293415	7.33538	66.0184	117.366
153	0.0668	0.0590999	0.292361	7.30903	65.7813	116.945
154	0.0665	0.0588184	0.291315	7.28286	65.5458	116.526
155	0.0662	0.0585396	0.290275	7.25687	65.3118	116.11
156	0.0659	0.0582636	0.289242	7.23105	65.0795	115.697
157	0.0656	0.0579902	0.288216	7.20541	64.8486	115.286
158	0.0653	0.0577194	0.287197	7.17993	64.6194	114.879
159	0.0651	0.0574511	0.286185	7.15462	64.3916	114.474
160	0.0648	0.0571853	0.285179	7.12948	64.1653	114.072
161	0.0645	0.0569221	0.28418	7.1045	63.9405	113.672
162	0.0642	0.0566612	0.283187	7.07968	63.7171	113.275
163	0.0639	0.0564028	0.282201	7.05502	63.4952	112.88
164	0.0636	0.0561467	0.281221	7.03051	63.2746	112.488
165	0.0634	0.055893	0.280247	7.00617	63.0555	112.099
166	0.0631	0.0556415	0.279279	6.98197	62.8377	111.712
167	0.0628	0.0553923	0.278317	6.95793	62.6213	111.327
168	0.0626	0.0551453	0.277361	6.93403	62.4063	110.944
169	0.0623	0.0549004	0.276411	6.91028	62.1925	110.564
170	0.0621	0.0546577	0.275467	6.88668	61.9801	110.187
171	0.0618	0.0544172	0.274529	6.86321	61.7689	109.811
172	0.0615	0.0541787	0.273596	6.83989	61.559	109.438
173	0.0613	0.0539422	0.272668	6.81671	61.3504	109.067
174	0.061	0.0537078	0.271747	6.79367	61.143	108.699
175	0.0608	0.0534754	0.27083	6.77076	60.9368	108.332
176	0.0605	0.053245	0.269919	6.74799	60.7319	107.968
177	0.0603	0.0530164	0.269014	6.72534	60.5281	107.605
178	0.0601	0.0527898	0.268113	6.70283	60.3255	107.245
179	0.0598	0.0525651	0.267218	6.68045	60.124	106.887
180	0.0596	0.0523422	0.266328	6.65819	59.9237	106.531
181	0.0594	0.0521211	0.265442	6.63606	59.7246	106.177
182	0.0591	0.0519018	0.264562	6.61406	59.5265	105.825
183	0.0589	0.0516844	0.263687	6.59217	59.3295	105.475
184	0.0587	0.0514686	0.262816	6.57041	59.1337	105.126
185	0.0584	0.0512546	0.26195	6.54876	58.9389	104.78
186	0.0582	0.0510423	0.261089	6.52723	58.7451	104.436
187	0.058	0.0508316	0.260233	6.50582	58.5524	104.093
188	0.0578	0.0506226	0.259381	6.48453	58.3607	103.752
189	0.0576	0.0504153	0.258534	6.46334	58.1701	103.413
190	0.0573	0.0502095	0.257691	6.44227	57.9804	103.076
191	0.0571	0.0500054	0.256852	6.42131	57.7918	102.741
192	0.0569	0.0498028	0.256018	6.40045	57.6041	102.407
193	0.0567	0.0496017	0.255188	6.37971	57.4174	102.075
194	0.0565	0.0494022	0.254363	6.35907	57.2316	101.745
195	0.0563	0.0492042	0.253541	6.33853	57.0468	101.417
196	0.0561	0.0490077	0.252724	6.3181	56.8629	101.09
197	0.0559	0.0488126	0.251911	6.29777	56.6799	100.764
198	0.0557	0.048619	0.251102	6.27754	56.4979	100.441
199	0.0555	0.0484268	0.250296	6.25741	56.3167	100.119
200	0.0553	0.048236	0.249495	6.23738	56.1364	99.7981
201	0.0551	0.0480466	0.248698	6.21744	55.957	99.4791
202	0.0549	0.0478586	0.247904	6.19761	55.7785	99.1617
203	0.0547	0.047672	0.247114	6.17786	55.6008	98.8458
204	0.0545	0.0474867	0.246328	6.15821	55.4239	98.5314
205	0.0543	0.0473027	0.245546	6.13865	55.2479	98.2185
206	0.0541	0.04712	0.244767	6.11919	55.0727	97.907
207	0.0539	0.0469386	0.243992	6.09981	54.8983	97.5969
208	0.0537	0.0467585	0.243221	6.08052	54.7247	97.2883
209	0.0536	0.0465796	0.242453	6.06132	54.5519	96.9811
210	0.0534	0.046402	0.241688	6.04221	54.3799	96.6753
211	0.0532	0.0462256	0.240927	6.02318	54.2086	96.3709
212	0.053	0.0460504	0.240169	6.00424	54.0381	96.0678
213	0.0528	0.0458765	0.239415	5.98538	53.8684	95.766
214	0.0527	0.0457037	0.238664	5.9666	53.6994	95.4656
215	0.0525	0.045532	0.237916	5.9479	53.5311	95.1665
216	0.0523	0.0453616	0.237172	5.92929	53.3636	94.8686
217	0.0521	0.0451923	0.23643	5.91075	53.1968	94.5721

218	0.052	0.0450241	0.235692	5.8923	53.0307	94.2768
219	0.0518	0.044857	0.234957	5.87392	52.8653	93.9827
220	0.0516	0.044691	0.234225	5.85562	52.7006	93.6899
221	0.0514	0.0445262	0.233496	5.83739	52.5366	93.3983
222	0.0513	0.0443624	0.23277	5.81924	52.3732	93.1079
223	0.0511	0.0441996	0.232047	5.80117	52.2105	92.8187
224	0.0509	0.044038	0.231327	5.78317	52.0485	92.5307
225	0.0508	0.0438773	0.23061	5.76524	51.8871	92.2438
226	0.0506	0.0437177	0.229895	5.74738	51.7264	91.9581
227	0.0504	0.0435591	0.229184	5.72959	51.5663	91.6735
228	0.0503	0.0434015	0.228475	5.71188	51.4069	91.39
229	0.0501	0.043245	0.227769	5.69423	51.2481	91.1077
230	0.05	0.0430894	0.227066	5.67665	51.0899	90.8265
231	0.0498	0.0429347	0.226366	5.65914	50.9323	90.5463
232	0.0497	0.0427811	0.225668	5.6417	50.7753	90.2672
233	0.0495	0.0426284	0.224973	5.62432	50.6189	89.9892
234	0.0493	0.0424766	0.224281	5.60701	50.4631	89.7122
235	0.0492	0.0423258	0.223591	5.58977	50.3079	89.4363
236	0.049	0.0421759	0.222904	5.57259	50.1533	89.1614
237	0.0489	0.0420269	0.222219	5.55547	49.9992	88.8875
238	0.0487	0.0418788	0.221537	5.53842	49.8458	88.6147
239	0.0486	0.0417316	0.220857	5.52143	49.6928	88.3428
240	0.0484	0.0415853	0.22018	5.5045	49.5405	88.0719
241	0.0483	0.0414398	0.219505	5.48763	49.3886	87.802
242	0.0481	0.0412952	0.218833	5.47082	49.2374	87.5331
243	0.048	0.0411515	0.218163	5.45407	49.0866	87.2652
244	0.0479	0.0410086	0.217495	5.43738	48.9365	86.9981
245	0.0477	0.0408666	0.21683	5.42075	48.7868	86.7321
246	0.0476	0.0407254	0.216167	5.40418	48.6376	86.4669
247	0.0474	0.040585	0.215507	5.38767	48.489	86.2027
248	0.0473	0.0404454	0.214849	5.37121	48.3409	85.9394
249	0.0471	0.0403067	0.214193	5.35481	48.1933	85.677
250	0.047	0.0401687	0.213539	5.33847	48.0462	85.4155
251	0.0469	0.0400315	0.212887	5.32218	47.8997	85.1549
252	0.0467	0.0398951	0.212238	5.30595	47.7536	84.8952
253	0.0466	0.0397595	0.211591	5.28977	47.608	84.6364
254	0.0465	0.0396246	0.210946	5.27365	47.4629	84.3784
255	0.0463	0.0394905	0.210303	5.25758	47.3182	84.1213
256	0.0462	0.0393572	0.209663	5.24156	47.1741	83.865
257	0.046	0.0392246	0.209024	5.2256	47.0304	83.6096
258	0.0459	0.0390927	0.208388	5.20969	46.8872	83.355
259	0.0458	0.0389616	0.207753	5.19383	46.7445	83.1013
260	0.0457	0.0388311	0.207121	5.17802	46.6022	82.8484
261	0.0455	0.0387014	0.206491	5.16227	46.4604	82.5963
262	0.0454	0.0385724	0.205863	5.14656	46.3191	82.345
263	0.0453	0.0384441	0.205236	5.13091	46.1782	82.0945
264	0.0451	0.0383165	0.204612	5.1153	46.0377	81.8448
265	0.045	0.0381896	0.20399	5.09975	45.8977	81.596
266	0.0449	0.0380633	0.20337	5.08424	45.7582	81.3479
267	0.0448	0.0379378	0.202751	5.06878	45.6191	81.1005
268	0.0446	0.0378129	0.202135	5.05338	45.4804	80.854
269	0.0445	0.0376886	0.201521	5.03801	45.3421	80.6082
270	0.0444	0.037565	0.200908	5.0227	45.2043	80.3632
271	0.0443	0.0374421	0.200297	5.00744	45.0669	80.119
272	0.0441	0.0373198	0.199689	4.99222	44.93	79.8755
273	0.044	0.0371982	0.199082	4.97705	44.7934	79.6328
274	0.0439	0.0370772	0.198477	4.96192	44.6573	79.3908
275	0.0438	0.0369568	0.197874	4.94685	44.5216	79.1495
276	0.0437	0.036837	0.197273	4.93181	44.3863	78.909
277	0.0435	0.0367178	0.196673	4.91683	44.2515	78.6692
278	0.0434	0.0365993	0.196075	4.90189	44.117	78.4302
279	0.0433	0.0364813	0.19548	4.88699	43.9829	78.1919
280	0.0432	0.036364	0.194886	4.87214	43.8493	77.9542
281	0.0431	0.0362472	0.194293	4.85733	43.716	77.7173
282	0.043	0.0361311	0.193703	4.84257	43.5832	77.4812
283	0.0428	0.0360155	0.193114	4.82785	43.4507	77.2457
284	0.0427	0.0359005	0.192527	4.81318	43.3186	77.0109
285	0.0426	0.035786	0.191942	4.79855	43.187	76.7768
286	0.0425	0.0356722	0.191359	4.78396	43.0557	76.5434
287	0.0424	0.0355589	0.190777	4.76942	42.9248	76.3107
288	0.0423	0.0354461	0.190197	4.75492	42.7943	76.0787
289	0.0422	0.0353339	0.189618	4.74046	42.6641	75.8474
290	0.042	0.0352223	0.189042	4.72604	42.5344	75.6167
291	0.0419	0.0351112	0.188467	4.71167	42.405	75.3867
292	0.0418	0.0350006	0.187894	4.69734	42.2761	75.1574
293	0.0417	0.0348906	0.187322	4.68305	42.1475	74.9288
294	0.0416	0.0347811	0.186752	4.6688	42.0192	74.7008
295	0.0415	0.0346721	0.186184	4.6546	41.8914	74.4735
296	0.0414	0.0345636	0.185617	4.64043	41.7639	74.2469
297	0.0413	0.0344557	0.185052	4.62631	41.6368	74.0209
298	0.0412	0.0343483	0.184489	4.61222	41.51	73.7956
299	0.0411	0.0342413	0.183927	4.59818	41.3836	73.5709
300	0.041	0.0341349	0.183367	4.58418	41.2576	73.3468
301	0.0409	0.034029	0.182809	4.57022	41.1319	73.1235
302	0.0408	0.0339236	0.182252	4.55629	41.0066	72.9007
303	0.0407	0.0338186	0.181696	4.54241	40.8817	72.6786
304	0.0406	0.0337142	0.181143	4.52857	40.7571	72.4571
305	0.0405	0.0336102	0.180591	4.51477	40.6329	72.2363
306	0.0404	0.0335067	0.18004	4.501	40.509	72.0161
307	0.0403	0.0334037	0.179491	4.48728	40.3855	71.7965
308	0.0402	0.0333012	0.178944	4.4736	40.2624	71.5775
309	0.04	0.0331991	0.178398	4.45995	40.1396	71.3592
310	0.04	0.0330975	0.177854	4.44634	40.0171	71.1415
311	0.0398	0.0329963	0.177311	4.43278	39.895	70.9244
312	0.0398	0.0328956	0.17677	4.41925	39.7732	70.708

313	0.0397	0.0327954	0.17623	4.40576	39.6518	70.4921
314	0.0396	0.0326956	0.175692	4.3923	39.5307	70.2769
315	0.0395	0.0325963	0.175156	4.37889	39.41	70.0622
316	0.0394	0.0324974	0.17462	4.36551	39.2896	69.8482
317	0.0393	0.0323989	0.174087	4.35217	39.1696	69.6348
318	0.0392	0.0323009	0.173555	4.33887	39.0498	69.4219
319	0.0391	0.0322033	0.173024	4.32561	38.9305	69.2097
320	0.039	0.0321061	0.172495	4.31238	38.8114	68.9981
321	0.0389	0.0320094	0.171968	4.29919	38.6927	68.7871
322	0.0388	0.031913	0.171442	4.28604	38.5744	68.5767
323	0.0387	0.0318171	0.170917	4.27293	38.4563	68.3668
324	0.0386	0.0317217	0.170394	4.25985	38.3386	68.1576
325	0.0385	0.0316266	0.169872	4.24681	38.2213	67.9489
326	0.0384	0.0315319	0.169352	4.2338	38.1042	67.7409
327	0.0383	0.0314377	0.168833	4.22084	37.9875	67.5334
328	0.0382	0.0313438	0.168316	4.2079	37.8711	67.3265
329	0.0381	0.0312504	0.1678	4.19501	37.7551	67.1202
330	0.038	0.0311573	0.167286	4.18215	37.6394	66.9144
331	0.038	0.0310646	0.166773	4.16933	37.524	66.7092
332	0.0379	0.0309724	0.166262	4.15654	37.4089	66.5047
333	0.0378	0.0308805	0.165752	4.14379	37.2941	66.3006
334	0.0377	0.030789	0.165243	4.13107	37.1797	66.0972
335	0.0376	0.0306979	0.164736	4.1184	37.0656	65.8943
336	0.0375	0.0306071	0.16423	4.10575	36.9518	65.692
337	0.0374	0.0305168	0.163726	4.09314	36.8383	65.4903
338	0.0373	0.0304268	0.163223	4.08057	36.7251	65.2891
339	0.0372	0.0303372	0.162721	4.06803	36.6123	65.0885
340	0.0372	0.0302479	0.162221	4.05553	36.4997	64.8884
341	0.0371	0.0301591	0.161722	4.04306	36.3875	64.6889
342	0.037	0.0300706	0.161225	4.03063	36.2756	64.49
343	0.0369	0.0299824	0.160729	4.01823	36.164	64.2916
344	0.0368	0.0298946	0.160234	4.00586	36.0528	64.0938
345	0.0367	0.0298072	0.159741	3.99353	35.9418	63.8965
346	0.0366	0.0297201	0.15925	3.98124	35.8311	63.6998
347	0.0366	0.0296334	0.158759	3.96898	35.7208	63.5036
348	0.0365	0.029547	0.15827	3.95675	35.6108	63.308
349	0.0364	0.029461	0.157782	3.94456	35.501	63.1129
350	0.0363	0.0293753	0.157296	3.9324	35.3916	62.9184
351	0.0362	0.0292899	0.156811	3.92027	35.2825	62.7244
352	0.0361	0.0292049	0.156327	3.90818	35.1737	62.5309
353	0.0361	0.0291202	0.155845	3.89613	35.0651	62.338
354	0.036	0.0290359	0.155364	3.8841	34.9569	62.1456
355	0.0359	0.0289519	0.154885	3.87211	34.849	61.9538
356	0.0358	0.0288682	0.154406	3.86016	34.7414	61.7625
357	0.0357	0.0287849	0.153929	3.84823	34.6341	61.5717
358	0.0357	0.0287018	0.153454	3.83634	34.5271	61.3815
359	0.0356	0.0286191	0.152979	3.82449	34.4204	61.1918
360	0.0355	0.0285367	0.152506	3.81266	34.314	61.0026
361	0.0354	0.0284547	0.152035	3.80087	34.2078	60.8139
362	0.0353	0.0283729	0.151564	3.78911	34.102	60.6258
363	0.0353	0.0282915	0.151095	3.77739	33.9965	60.4382
364	0.0352	0.0282104	0.150628	3.76569	33.8912	60.2511
365	0.0351	0.0281296	0.150161	3.75403	33.7863	60.0645
366	0.035	0.0280491	0.149696	3.7424	33.6816	59.8785
367	0.035	0.0279689	0.149232	3.73081	33.5773	59.6929
368	0.0349	0.027889	0.14877	3.71925	33.4732	59.5079
369	0.0348	0.0278094	0.148309	3.70771	33.3694	59.3234
370	0.0347	0.0277302	0.147849	3.69621	33.2659	59.1394
371	0.0346	0.0276512	0.14739	3.68475	33.1627	58.956
372	0.0346	0.0275725	0.146932	3.67331	33.0598	58.773
373	0.0345	0.0274941	0.146476	3.66191	32.9572	58.5905
374	0.0344	0.027416	0.146021	3.65054	32.8548	58.4086
375	0.0343	0.0273382	0.145568	3.6392	32.7528	58.2271
376	0.0343	0.0272607	0.145115	3.62789	32.651	58.0462
377	0.0342	0.0271834	0.144664	3.61661	32.5495	57.8657
378	0.0341	0.0271065	0.144214	3.60536	32.4483	57.6858
379	0.034	0.0270298	0.143766	3.59415	32.3473	57.5064
380	0.034	0.0269534	0.143319	3.58296	32.2467	57.3274
381	0.0339	0.0268773	0.142872	3.57181	32.1463	57.149
382	0.0338	0.0268015	0.142428	3.56069	32.0462	56.971
383	0.0338	0.026726	0.141984	3.5496	31.9464	56.7935
384	0.0337	0.0266507	0.141541	3.53854	31.8468	56.6166
385	0.0336	0.0265757	0.1411	3.52751	31.7476	56.4401
386	0.0335	0.026501	0.14066	3.51651	31.6486	56.2641
387	0.0335	0.0264265	0.140222	3.50554	31.5498	56.0886
388	0.0334	0.0263523	0.139784	3.4946	31.4514	55.9136
389	0.0333	0.0262784	0.139348	3.48369	31.3532	55.7391
390	0.0333	0.0262047	0.138913	3.47281	31.2553	55.565
391	0.0332	0.0261314	0.138479	3.46197	31.1577	55.3914
392	0.0331	0.0260582	0.138046	3.45115	31.0603	55.2184
393	0.033	0.0259853	0.137614	3.44036	30.9632	55.0458
394	0.033	0.0259127	0.137184	3.4296	30.8664	54.8736
395	0.0329	0.0258404	0.136755	3.41887	30.7699	54.702
396	0.0328	0.0257683	0.136327	3.40817	30.6736	54.5308
397	0.0328	0.0256964	0.1359	3.39751	30.5776	54.3601
398	0.0327	0.0256248	0.135475	3.38687	30.4818	54.1899
399	0.0326	0.0255535	0.13505	3.37626	30.3863	54.0201
400	0.0326	0.0254824	0.134627	3.36568	30.2911	53.8508
401	0.0325	0.0254116	0.134205	3.35512	30.1961	53.682
402	0.0324	0.025341	0.133784	3.3446	30.1014	53.5136
403	0.0324	0.0252706	0.133364	3.33411	30.007	53.3457
404	0.0323	0.0252005	0.132946	3.32364	29.9128	53.1783
405	0.0322	0.0251306	0.132528	3.31321	29.8189	53.0113
406	0.0322	0.025061	0.132112	3.3028	29.7252	52.8448
407	0.0321	0.0249916	0.131697	3.29242	29.6318	52.6788

408	0.032	0.0249225	0.131283	3.28207	29.5387	52.5132
409	0.032	0.0248536	0.13087	3.27175	29.4458	52.348
410	0.0319	0.0247849	0.130458	3.26146	29.3531	52.1834
411	0.0318	0.0247164	0.130048	3.2512	29.2608	52.0191
412	0.0318	0.0246482	0.129638	3.24096	29.1686	51.8554
413	0.0317	0.0245802	0.12923	3.23075	29.0768	51.692
414	0.0316	0.0245125	0.128823	3.22057	28.9852	51.5292
415	0.0316	0.024445	0.128417	3.21042	28.8938	51.3668
416	0.0315	0.0243777	0.128012	3.2003	28.8027	51.2048
417	0.0314	0.0243106	0.127608	3.1902	28.7118	51.0432
418	0.0314	0.0242438	0.127205	3.18014	28.6212	50.8822
419	0.0313	0.0241772	0.126804	3.1701	28.5309	50.7215
420	0.0312	0.0241108	0.126403	3.16008	28.4407	50.5613
421	0.0312	0.0240446	0.126004	3.1501	28.3509	50.4016
422	0.0311	0.0239786	0.125606	3.14014	28.2613	50.2422
423	0.0311	0.0239129	0.125208	3.13021	28.1719	50.0834
424	0.031	0.0238474	0.124812	3.12031	28.0828	49.9249
425	0.0309	0.0237821	0.124417	3.11043	27.9939	49.7669
426	0.0309	0.023717	0.124023	3.10058	27.9053	49.6093
427	0.0308	0.0236521	0.12363	3.09076	27.8169	49.4522
428	0.0307	0.0235875	0.123239	3.08097	27.7287	49.2955
429	0.0307	0.023523	0.122848	3.0712	27.6408	49.1392
430	0.0306	0.0234588	0.122458	3.06146	27.5531	48.9834
431	0.0306	0.0233948	0.12207	3.05175	27.4657	48.8279
432	0.0305	0.023331	0.121682	3.04206	27.3785	48.6729
433	0.0304	0.0232674	0.121296	3.0324	27.2916	48.5184
434	0.0304	0.023204	0.120911	3.02276	27.2049	48.3642
435	0.0303	0.0231408	0.120526	3.01316	27.1184	48.2105
436	0.0303	0.0230778	0.120143	3.00357	27.0322	48.0572
437	0.0302	0.023015	0.119761	2.99402	26.9462	47.9043
438	0.0301	0.0229524	0.11938	2.98449	26.8604	47.7518
439	0.0301	0.02289	0.119	2.97499	26.7749	47.5998
440	0.03	0.0228278	0.11862	2.96551	26.6896	47.4482
441	0.03	0.0227658	0.118242	2.95606	26.6045	47.297
442	0.0299	0.022704	0.117865	2.94664	26.5197	47.1462
443	0.0298	0.0226424	0.117489	2.93724	26.4351	46.9958
444	0.0298	0.022581	0.117115	2.92786	26.3508	46.8458
445	0.0297	0.0225198	0.116741	2.91852	26.2666	46.6962
446	0.0297	0.0224588	0.116368	2.90919	26.1827	46.5471
447	0.0296	0.022398	0.115996	2.8999	26.0991	46.3983
448	0.0296	0.0223374	0.115625	2.89063	26.0156	46.25
449	0.0295	0.022277	0.115255	2.88138	25.9324	46.1021
450	0.0294	0.0222167	0.114886	2.87216	25.8494	45.9545
451	0.0294	0.0221567	0.114519	2.86296	25.7667	45.8074
452	0.0293	0.0220968	0.114152	2.85379	25.6841	45.6607
453	0.0293	0.0220371	0.113786	2.84465	25.6018	45.5144
454	0.0292	0.0219776	0.113421	2.83553	25.5198	45.3685
455	0.0292	0.0219183	0.113057	2.82643	25.4379	45.2229
456	0.0291	0.0218592	0.112695	2.81736	25.3563	45.0778
457	0.029	0.0218002	0.112333	2.80832	25.2749	44.9331
458	0.029	0.0217415	0.111972	2.7993	25.1937	44.7888
459	0.0289	0.0216829	0.111612	2.7903	25.1127	44.6448
460	0.0289	0.0216245	0.111253	2.78133	25.032	44.5013
461	0.0288	0.0215663	0.110895	2.77238	24.9514	44.3581
462	0.0288	0.0215083	0.110538	2.76346	24.8711	44.2154
463	0.0287	0.0214504	0.110182	2.75456	24.7911	44.073
464	0.0287	0.0213927	0.109828	2.74569	24.7112	43.931
465	0.0286	0.0213352	0.109474	2.73684	24.6315	43.7894
466	0.0285	0.0212779	0.109121	2.72801	24.5521	43.6482
467	0.0285	0.0212207	0.108768	2.71921	24.4729	43.5074
468	0.0284	0.0211638	0.108417	2.71043	24.3939	43.3669
469	0.0284	0.021107	0.108067	2.70168	24.3151	43.2269
470	0.0283	0.0210503	0.107718	2.69295	24.2366	43.0872
471	0.0283	0.0209939	0.10737	2.68425	24.1582	42.9479
472	0.0282	0.0209376	0.107023	2.67556	24.0801	42.809
473	0.0282	0.0208814	0.106676	2.66689	24.0021	42.6705
474	0.0281	0.0208255	0.106331	2.65827	23.9244	42.5323
475	0.0281	0.0207697	0.105986	2.64966	23.8469	42.3945
476	0.028	0.0207141	0.105643	2.64107	23.7696	42.2571
477	0.028	0.0206586	0.1053	2.63251	23.6926	42.1201
478	0.0279	0.0206033	0.104959	2.62397	23.6157	41.9835
479	0.0278	0.0205482	0.104618	2.61545	23.539	41.8472
480	0.0278	0.0204933	0.104278	2.60696	23.4626	41.7113
481	0.0277	0.0204385	0.103939	2.59848	23.3864	41.5757
482	0.0277	0.0203838	0.103601	2.59004	23.3103	41.4406
483	0.0276	0.0203294	0.103264	2.58161	23.2345	41.3058
484	0.0276	0.0202751	0.102928	2.57321	23.1589	41.1713
485	0.0275	0.0202209	0.102593	2.56483	23.0835	41.0373
486	0.0275	0.0201669	0.102259	2.55647	23.0083	40.9036
487	0.0274	0.0201131	0.101926	2.54814	22.9333	40.7703
488	0.0274	0.0200594	0.101593	2.53983	22.8585	40.6373
489	0.0273	0.0200059	0.101262	2.53154	22.7839	40.5047
490	0.0273	0.0199526	0.100931	2.52328	22.7095	40.3724
491	0.0272	0.0198994	0.100601	2.51503	22.6353	40.2406
492	0.0272	0.0198463	0.100273	2.50681	22.5613	40.109
493	0.0271	0.0197935	0.0999447	2.49862	22.4875	39.9779
494	0.0271	0.0197407	0.0996176	2.49044	22.414	39.8471
495	0.027	0.0196882	0.0992915	2.48229	22.3406	39.7166
496	0.027	0.0196357	0.0989663	2.47416	22.2674	39.5865
497	0.0269	0.0195835	0.0986419	2.46605	22.1944	39.4568
498	0.0269	0.0195313	0.0983185	2.45796	22.1217	39.3274
499	0.0268	0.0194794	0.0979959	2.4499	22.0491	39.1984
500	0.0268	0.0194276	0.0976742	2.44186	21.9767	39.0697
501	0.0267	0.0193759	0.0973534	2.43383	21.9045	38.9414
502	0.0267	0.0193244	0.0970334	2.42584	21.8325	38.8134

503	0.0266	0.019273	0.0967144	2.41786	21.7607	38.6857
504	0.0266	0.0192218	0.0963962	2.4099	21.6891	38.5585
505	0.0265	0.0191707	0.0960789	2.40197	21.6177	38.4315
506	0.0265	0.0191198	0.0957624	2.39406	21.5465	38.305
507	0.0264	0.019069	0.0954468	2.38617	21.4755	38.1787
508	0.0264	0.0190183	0.0951321	2.3783	21.4047	38.0528
509	0.0263	0.0189678	0.0948182	2.37045	21.3341	37.9273
510	0.0263	0.0189175	0.0945052	2.36263	21.2637	37.8021
511	0.0262	0.0188673	0.094193	2.35483	21.1934	37.6772
512	0.0262	0.0188172	0.0938817	2.34704	21.1234	37.5527
513	0.0262	0.0187673	0.0935713	2.33928	21.0535	37.4285
514	0.0261	0.0187175	0.0932617	2.33154	20.9839	37.3047
515	0.0261	0.0186679	0.0929529	2.32382	20.9144	37.1812
516	0.026	0.0186184	0.092645	2.31613	20.8451	37.058
517	0.026	0.018569	0.0923379	2.30845	20.776	36.9352
518	0.0259	0.0185198	0.0920317	2.30079	20.7071	36.8127
519	0.0259	0.0184707	0.0917263	2.29316	20.6384	36.6905
520	0.0258	0.0184218	0.0914218	2.28554	20.5699	36.5687
521	0.0258	0.018373	0.0911181	2.27795	20.5016	36.4472
522	0.0257	0.0183243	0.0908152	2.27038	20.4334	36.3261
523	0.0257	0.0182758	0.0905131	2.26283	20.3655	36.2053
524	0.0256	0.0182274	0.0902119	2.2553	20.2977	36.0848
525	0.0256	0.0181791	0.0899115	2.24779	20.2301	35.9646
526	0.0255	0.018131	0.0896119	2.2403	20.1627	35.8448
527	0.0255	0.018083	0.0893132	2.23283	20.0955	35.7253
528	0.0255	0.0180352	0.0890153	2.22538	20.0284	35.6061
529	0.0254	0.0179875	0.0887182	2.21795	19.9616	35.4873
530	0.0254	0.0179399	0.0884219	2.21055	19.8949	35.3687
531	0.0253	0.0178924	0.0881264	2.20316	19.8284	35.2506
532	0.0253	0.0178451	0.0878317	2.19579	19.7621	35.1327
533	0.0252	0.0177979	0.0875379	2.18845	19.696	35.0151
534	0.0252	0.0177508	0.0872448	2.18112	19.6301	34.8979
535	0.0251	0.0177039	0.0869526	2.17381	19.5643	34.781
536	0.0251	0.0176571	0.0866611	2.16653	19.4988	34.6645
537	0.025	0.0176104	0.0863705	2.15926	19.4334	34.5482
538	0.025	0.0175639	0.0860807	2.15202	19.3681	34.4323
539	0.025	0.0175175	0.0857916	2.14479	19.3031	34.3167
540	0.0249	0.0174712	0.0855034	2.13758	19.2383	34.2014
541	0.0249	0.017425	0.0852159	2.1304	19.1736	34.0864
542	0.0248	0.017379	0.0849293	2.12323	19.1091	33.9717
543	0.0248	0.0173331	0.0846434	2.11609	19.0448	33.8574
544	0.0247	0.0172873	0.0843584	2.10896	18.9806	33.7433
545	0.0247	0.0172416	0.0840741	2.10185	18.9167	33.6296
546	0.0247	0.0171961	0.0837906	2.09476	18.8529	33.5162
547	0.0246	0.0171507	0.0835079	2.0877	18.7893	33.4031
548	0.0246	0.0171054	0.0832259	2.08065	18.7258	33.2904
549	0.0245	0.0170602	0.0829448	2.07362	18.6626	33.1779
550	0.0245	0.0170152	0.0826644	2.06661	18.5995	33.0658
551	0.0244	0.0169703	0.0823848	2.05962	18.5366	32.9539
552	0.0244	0.0169255	0.082106	2.05265	18.4738	32.8424
553	0.0243	0.0168808	0.0818279	2.0457	18.4113	32.7312
554	0.0243	0.0168363	0.0815507	2.03877	18.3489	32.6203
555	0.0243	0.0167918	0.0812741	2.03185	18.2867	32.5097
556	0.0242	0.0167475	0.0809984	2.02496	18.2246	32.3994
557	0.0242	0.0167033	0.0807234	2.01809	18.1628	32.2894
558	0.0241	0.0166593	0.0804492	2.01123	18.1011	32.1797
559	0.0241	0.0166153	0.0801758	2.00439	18.0395	32.0703
560	0.0241	0.0165715	0.0799031	1.99758	17.9782	31.9612
561	0.024	0.0165278	0.0796311	1.99078	17.917	31.8525
562	0.024	0.0164842	0.07936	1.984	17.856	31.744
563	0.0239	0.0164407	0.0790895	1.97724	17.7951	31.6358
564	0.0239	0.0163973	0.0788199	1.9705	17.7345	31.528
565	0.0238	0.0163541	0.078551	1.96377	17.674	31.4204
566	0.0238	0.0163111	0.0782828	1.95707	17.6136	31.3131
567	0.0238	0.016268	0.0780154	1.95038	17.5535	31.2062
568	0.0237	0.0162251	0.0777487	1.94372	17.4935	31.0995
569	0.0237	0.0161823	0.0774828	1.93707	17.4336	30.9931
570	0.0236	0.0161396	0.0772176	1.93044	17.374	30.887
571	0.0236	0.016097	0.0769532	1.92383	17.3145	30.7813
572	0.0236	0.0160546	0.0766895	1.91724	17.2551	30.6758
573	0.0235	0.0160123	0.0764265	1.91066	17.196	30.5706
574	0.0235	0.0159701	0.0761643	1.90411	17.137	30.4657
575	0.0234	0.015928	0.0759028	1.89757	17.0781	30.3611
576	0.0234	0.015886	0.0756421	1.89105	17.0195	30.2568
577	0.0234	0.0158441	0.075382	1.88455	16.961	30.1528
578	0.0233	0.0158023	0.0751228	1.87807	16.9026	30.0491
579	0.0233	0.0157607	0.0748642	1.8716	16.8444	29.9457
580	0.0232	0.0157191	0.0746064	1.86516	16.7864	29.8425
581	0.0232	0.0156777	0.0743492	1.85873	16.7286	29.7397
582	0.0232	0.0156363	0.0740929	1.85232	16.6709	29.6371
583	0.0231	0.0155951	0.0738372	1.84593	16.6134	29.5349
584	0.0231	0.015554	0.0735823	1.83956	16.556	29.4329
585	0.023	0.015513	0.073328	1.8332	16.4988	29.3312
586	0.023	0.0154721	0.0730745	1.82686	16.4418	29.2298
587	0.023	0.0154313	0.0728217	1.82054	16.3849	29.1287
588	0.0229	0.0153906	0.0725697	1.81424	16.3282	29.0279
589	0.0229	0.0153501	0.0723183	1.80796	16.2716	28.9273
590	0.0228	0.0153096	0.0720677	1.80169	16.2152	28.8271
591	0.0228	0.0152693	0.0718177	1.79544	16.159	28.7271
592	0.0228	0.015229	0.0715685	1.78921	16.1029	28.6274
593	0.0227	0.0151889	0.07132	1.783	16.047	28.528
594	0.0227	0.0151488	0.0710721	1.7768	15.9912	28.4289
595	0.0226	0.0151089	0.070825	1.77063	15.9356	28.33
596	0.0226	0.0150691	0.0705786	1.76447	15.8802	28.2314
597	0.0226	0.0150293	0.0703329	1.75832	15.8249	28.1332

598	0.0225	0.0149897	0.0700879	1.7522	15.7698	28.0352
599	0.0225	0.0149502	0.0698436	1.74609	15.7148	27.9374
600	0.0225	0.0149108	0.0695999	1.74	15.66	27.84
601	0.0224	0.0148715	0.069357	1.73393	15.6053	27.7428
602	0.0224	0.0148322	0.0691148	1.72787	15.5508	27.6459
603	0.0223	0.0147931	0.0688733	1.72183	15.4965	27.5493
604	0.0223	0.0147541	0.0686324	1.71581	15.4423	27.453
605	0.0223	0.0147152	0.0683923	1.70981	15.3883	27.3569
606	0.0222	0.0146764	0.0681528	1.70382	15.3344	27.2611
607	0.0222	0.0146377	0.067914	1.69785	15.2806	27.1656
608	0.0222	0.0145991	0.0676759	1.6919	15.2271	27.0704
609	0.0221	0.0145606	0.0674385	1.68596	15.1737	26.9754
610	0.0221	0.0145222	0.0672017	1.68004	15.1204	26.8807
611	0.022	0.0144839	0.0669657	1.67414	15.0673	26.7863
612	0.022	0.0144457	0.0667303	1.66826	15.0143	26.6921
613	0.022	0.0144076	0.0664956	1.66239	14.9615	26.5982
614	0.0219	0.0143696	0.0662616	1.65654	14.9089	26.5046
615	0.0219	0.0143317	0.0660283	1.65071	14.8564	26.4113
616	0.0219	0.0142939	0.0657956	1.64489	14.804	26.3182
617	0.0218	0.0142562	0.0655636	1.63909	14.7518	26.2254
618	0.0218	0.0142186	0.0653322	1.63331	14.6998	26.1329
619	0.0217	0.0141811	0.0651016	1.62754	14.6479	26.0406
620	0.0217	0.0141436	0.0648716	1.62179	14.5961	25.9486
621	0.0217	0.0141063	0.0646423	1.61606	14.5445	25.8569
622	0.0216	0.0140691	0.0644136	1.61034	14.4931	25.7654
623	0.0216	0.014032	0.0641856	1.60464	14.4418	25.6742
624	0.0216	0.0139949	0.0639583	1.59896	14.3906	25.5833
625	0.0215	0.013958	0.0637316	1.59329	14.3396	25.4926
626	0.0215	0.0139211	0.0635056	1.58764	14.2888	25.4022
627	0.0215	0.0138844	0.0632802	1.58201	14.238	25.3121
628	0.0214	0.0138477	0.0630555	1.57639	14.1875	25.2222
629	0.0214	0.0138112	0.0628315	1.57079	14.1371	25.1326
630	0.0213	0.0137747	0.0626081	1.5652	14.0868	25.0432
631	0.0213	0.0137383	0.0623853	1.55963	14.0367	24.9541
632	0.0213	0.0137021	0.0621632	1.55408	13.9867	24.8653
633	0.0212	0.0136659	0.0619418	1.54855	13.9369	24.7767
634	0.0212	0.0136298	0.061721	1.54303	13.8872	24.6884
635	0.0212	0.0135938	0.0615009	1.53752	13.8377	24.6004
636	0.0211	0.0135579	0.0612814	1.53203	13.7883	24.5126
637	0.0211	0.0135221	0.0610625	1.52656	13.7391	24.425
638	0.0211	0.0134863	0.0608443	1.52111	13.69	24.3377
639	0.021	0.0134507	0.0606268	1.51567	13.641	24.2507
640	0.021	0.0134152	0.0604098	1.51025	13.5922	24.1639
641	0.021	0.0133797	0.0601935	1.50484	13.5435	24.0774
642	0.0209	0.0133444	0.0599779	1.49945	13.495	23.9912
643	0.0209	0.0133091	0.0597629	1.49407	13.4466	23.9052
644	0.0209	0.0132739	0.0595485	1.48871	13.3984	23.8194
645	0.0208	0.0132388	0.0593348	1.48337	13.3503	23.7339
646	0.0208	0.0132038	0.0591217	1.47804	13.3024	23.6487
647	0.0208	0.0131689	0.0589092	1.47273	13.2546	23.5637
648	0.0207	0.0131341	0.0586973	1.46743	13.2069	23.4789
649	0.0207	0.0130993	0.0584861	1.46215	13.1594	23.3944
650	0.0207	0.0130647	0.0582755	1.45689	13.112	23.3102
651	0.0206	0.0130301	0.0580656	1.45164	13.0648	23.2262
652	0.0206	0.0129957	0.0578562	1.44641	13.0177	23.1425
653	0.0205	0.0129613	0.0576475	1.44119	12.9707	23.059
654	0.0205	0.012927	0.0574394	1.43599	12.9239	22.9758
655	0.0205	0.0128928	0.0572319	1.4308	12.8772	22.8928
656	0.0204	0.0128587	0.0570251	1.42563	12.8306	22.81
657	0.0204	0.0128247	0.0568189	1.42047	12.7842	22.7275
658	0.0204	0.0127907	0.0566133	1.41533	12.738	22.6453
659	0.0203	0.0127568	0.0564083	1.41021	12.6919	22.5633
660	0.0203	0.0127231	0.0562039	1.4051	12.6459	22.4815
661	0.0203	0.0126894	0.0560001	1.4	12.6	22.4
662	0.0202	0.0126558	0.0557969	1.39492	12.5543	22.3188
663	0.0202	0.0126223	0.0555944	1.38986	12.5087	22.2378
664	0.0202	0.0125888	0.0553925	1.38481	12.4633	22.157
665	0.0201	0.0125555	0.0551911	1.37978	12.418	22.0765
666	0.0201	0.0125222	0.0549904	1.37476	12.3728	21.9962
667	0.0201	0.0124891	0.0547903	1.36976	12.3278	21.9161
668	0.02	0.012456	0.0545908	1.36477	12.2829	21.8363
669	0.02	0.012423	0.0543919	1.3598	12.2382	21.7568
670	0.02	0.01239	0.0541936	1.35484	12.1936	21.6774
671	0.0199	0.0123572	0.0539959	1.3499	12.1491	21.5983
672	0.0199	0.0123244	0.0537988	1.34497	12.1047	21.5195
673	0.0199	0.0122918	0.0536023	1.34006	12.0605	21.4409
674	0.0199	0.0122592	0.0534064	1.33516	12.0164	21.3625
675	0.0198	0.0122266	0.053211	1.33028	11.9725	21.2844
676	0.0198	0.0121942	0.0530163	1.32541	11.9287	21.2065
677	0.0198	0.0121619	0.0528222	1.32056	11.885	21.1289
678	0.0197	0.0121296	0.0526287	1.31572	11.8415	21.0515
679	0.0197	0.0120974	0.0524357	1.31089	11.798	20.9743
680	0.0197	0.0120653	0.0522434	1.30608	11.7548	20.8974
681	0.0196	0.0120333	0.0520516	1.30129	11.7116	20.8207
682	0.0196	0.0120014	0.0518605	1.29651	11.6686	20.7442
683	0.0196	0.0119695	0.0516699	1.29175	11.6257	20.668
684	0.0195	0.0119377	0.0514799	1.287	11.583	20.592
685	0.0195	0.011906	0.0512905	1.28226	11.5404	20.5162
686	0.0195	0.0118744	0.0511016	1.27754	11.4979	20.4407
687	0.0194	0.0118429	0.0509134	1.27283	11.4555	20.3654
688	0.0194	0.0118114	0.0507257	1.26814	11.4133	20.2903
689	0.0194	0.01178	0.0505386	1.26347	11.3712	20.2154
690	0.0193	0.0117487	0.0503521	1.2588	11.3292	20.1408
691	0.0193	0.0117175	0.0501662	1.25415	11.2874	20.0665
692	0.0193	0.0116864	0.0499808	1.24952	11.2457	19.9923

693	0.0192	0.0116553	0.049796	1.2449	11.2041	19.9184
694	0.0192	0.0116243	0.0496118	1.24029	11.1627	19.8447
695	0.0192	0.0115934	0.0494282	1.2357	11.1213	19.7713
696	0.0192	0.0115626	0.0492451	1.23113	11.0801	19.698
697	0.0191	0.0115318	0.0490626	1.22656	11.0391	19.625
698	0.0191	0.0115012	0.0488806	1.22202	10.9981	19.5523
699	0.0191	0.0114706	0.0486993	1.21748	10.9573	19.4797
700	0.019	0.01144	0.0485185	1.21296	10.9167	19.4074
701	0.019	0.0114096	0.0483382	1.20846	10.8761	19.3353
702	0.019	0.0113792	0.0481586	1.20396	10.8357	19.2634
703	0.0189	0.0113489	0.0479795	1.19949	10.7954	19.1918
704	0.0189	0.0113187	0.0478009	1.19502	10.7552	19.1204
705	0.0189	0.0112886	0.0476229	1.19057	10.7152	19.0492
706	0.0188	0.0112585	0.0474455	1.18614	10.6752	18.9782
707	0.0188	0.0112285	0.0472686	1.18172	10.6354	18.9074
708	0.0188	0.0111986	0.0470923	1.17731	10.5958	18.8369
709	0.0187	0.0111688	0.0469165	1.17291	10.5562	18.7666
710	0.0187	0.011139	0.0467413	1.16853	10.5168	18.6965
711	0.0187	0.0111094	0.0465667	1.16417	10.4775	18.6267
712	0.0187	0.0110797	0.0463926	1.15981	10.4383	18.557
713	0.0186	0.0110502	0.046219	1.15548	10.3993	18.4876
714	0.0186	0.0110207	0.046046	1.15115	10.3604	18.4184
715	0.0186	0.0109914	0.0458736	1.14684	10.3215	18.3494
716	0.0185	0.010962	0.0457016	1.14254	10.2829	18.2807
717	0.0185	0.0109328	0.0455303	1.13826	10.2443	18.2121
718	0.0185	0.0109036	0.0453595	1.13399	10.2059	18.1438
719	0.0184	0.0108745	0.0451892	1.12973	10.1676	18.0757
720	0.0184	0.0108455	0.0450195	1.12549	10.1294	18.0078
721	0.0184	0.0108166	0.0448503	1.12126	10.0913	17.9401
722	0.0184	0.0107877	0.0446816	1.11704	10.0534	17.8726
723	0.0183	0.0107589	0.0445135	1.11284	10.0155	17.8054
724	0.0183	0.0107302	0.0443459	1.10865	9.97783	17.7384
725	0.0183	0.0107015	0.0441789	1.10447	9.94025	17.6716
726	0.0182	0.0106729	0.0440124	1.10031	9.90279	17.605
727	0.0182	0.0106444	0.0438464	1.09616	9.86544	17.5386
728	0.0182	0.010616	0.043681	1.09202	9.82822	17.4724
729	0.0182	0.0105876	0.0435161	1.0879	9.79112	17.4064
730	0.0181	0.0105593	0.0433517	1.08379	9.75413	17.3407
731	0.0181	0.0105311	0.0431879	1.0797	9.71727	17.2751
732	0.0181	0.0105029	0.0430245	1.07561	9.68052	17.2098
733	0.018	0.0104749	0.0428617	1.07154	9.64389	17.1447
734	0.018	0.0104468	0.0426995	1.06749	9.60738	17.0798
735	0.018	0.0104189	0.0425377	1.06344	9.57099	17.0151
736	0.018	0.010391	0.0423765	1.05941	9.53472	16.9506
737	0.0179	0.0103632	0.0422158	1.0554	9.49856	16.8863
738	0.0179	0.0103355	0.0420557	1.05139	9.46253	16.8223
739	0.0179	0.0103078	0.041896	1.0474	9.4266	16.7584
740	0.0178	0.0102802	0.0417369	1.04342	9.3908	16.6948
741	0.0178	0.0102527	0.0415783	1.03946	9.35511	16.6313
742	0.0178	0.0102253	0.0414202	1.0355	9.31954	16.5681
743	0.0177	0.0101979	0.0412626	1.03156	9.28408	16.505
744	0.0177	0.0101706	0.0411055	1.02764	9.24874	16.4422
745	0.0177	0.0101433	0.040949	1.02372	9.21352	16.3796
746	0.0177	0.0101161	0.0407929	1.01982	9.17841	16.3172
747	0.0176	0.010089	0.0406374	1.01593	9.14341	16.255
748	0.0176	0.010062	0.0404824	1.01206	9.10853	16.1929
749	0.0176	0.010035	0.0403279	1.0082	9.07377	16.1311
750	0.0176	0.0100081	0.0401739	1.00435	9.03912	16.0695
751	0.0175	0.00998125	0.0400204	1.00051	9.00458	16.0081
752	0.0175	0.00995448	0.0398674	0.996684	8.97016	15.9469
753	0.0175	0.00992777	0.0397149	0.992872	8.93585	15.8859
754	0.0174	0.00990114	0.0395629	0.989072	8.90165	15.8252
755	0.0174	0.00987457	0.0394114	0.985285	8.86756	15.7646
756	0.0174	0.00984806	0.0392604	0.98151	8.83359	15.7042
757	0.0174	0.00982163	0.0391099	0.977748	8.79973	15.644
758	0.0173	0.00979526	0.0389599	0.973999	8.76599	15.584
759	0.0173	0.00976895	0.0388105	0.970261	8.73235	15.5242
760	0.0173	0.00974272	0.0386615	0.966536	8.69883	15.4646
761	0.0172	0.00971655	0.038513	0.962824	8.66542	15.4052
762	0.0172	0.00969044	0.038365	0.959124	8.63211	15.346
763	0.0172	0.0096644	0.0382174	0.955436	8.59892	15.287
764	0.0172	0.00963843	0.0380704	0.95176	8.56584	15.2282
765	0.0171	0.00961252	0.0379239	0.948097	8.53287	15.1696
766	0.0171	0.00958668	0.0377778	0.944446	8.50001	15.1111
767	0.0171	0.0095609	0.0376323	0.940807	8.46727	15.0529
768	0.0171	0.00953519	0.0374872	0.937181	8.43462	14.9949
769	0.017	0.00950954	0.0373426	0.933566	8.40209	14.9371
770	0.017	0.00948396	0.0371985	0.929964	8.36967	14.8794
771	0.017	0.00945844	0.0370549	0.926373	8.33736	14.822
772	0.0169	0.00943298	0.0369118	0.922795	8.30515	14.7647
773	0.0169	0.00940759	0.0367691	0.919229	8.27306	14.7077
774	0.0169	0.00938227	0.036627	0.915674	8.24107	14.6508
775	0.0169	0.009357	0.0364853	0.912132	8.20919	14.5941
776	0.0168	0.0093318	0.0363441	0.908602	8.17742	14.5376
777	0.0168	0.00930667	0.0362033	0.905083	8.14575	14.4813
778	0.0168	0.0092816	0.0360631	0.901577	8.11419	14.4252
779	0.0168	0.00925659	0.0359233	0.898082	8.08274	14.3693
780	0.0167	0.00923164	0.035784	0.894599	8.05139	14.3136
781	0.0167	0.00920676	0.0356451	0.891128	8.02015	14.2581
782	0.0167	0.00918194	0.0355068	0.887669	7.98902	14.2027
783	0.0166	0.00915719	0.0353689	0.884222	7.95799	14.1475
784	0.0166	0.00913249	0.0352314	0.880786	7.92707	14.0926
785	0.0166	0.00910786	0.0350945	0.877362	7.89625	14.0378
786	0.0166	0.00908329	0.034958	0.873949	7.86554	13.9832
787	0.0165	0.00905878	0.0348219	0.870548	7.83494	13.9288

788	0.0165	0.00903434	0.0346864	0.867159	7.80443	13.8745
789	0.0165	0.00900995	0.0345513	0.863782	7.77403	13.8205
790	0.0165	0.00898563	0.0344166	0.860415	7.74374	13.7666
791	0.0164	0.00896137	0.0342824	0.857061	7.71355	13.713
792	0.0164	0.00893717	0.0341487	0.853718	7.68346	13.6595
793	0.0164	0.00891303	0.0340154	0.850386	7.65348	13.6062
794	0.0164	0.00888896	0.0338826	0.847066	7.62359	13.5531
795	0.0163	0.00886494	0.0337503	0.843757	7.59382	13.5001
796	0.0163	0.00884099	0.0336184	0.84046	7.56414	13.4474
797	0.0163	0.00881709	0.033487	0.837174	7.53456	13.3948
798	0.0163	0.00879326	0.033356	0.833899	7.50509	13.3424
799	0.0162	0.00876948	0.0332254	0.830636	7.47572	13.2902
800	0.0162	0.00874577	0.0330953	0.827384	7.44645	13.2381
801	0.0162	0.00872212	0.0329657	0.824143	7.41728	13.1863
802	0.0162	0.00869852	0.0328365	0.820913	7.38822	13.1346
803	0.0161	0.00867499	0.0327078	0.817694	7.35925	13.0831
804	0.0161	0.00865151	0.0325795	0.814487	7.33038	13.0318
805	0.0161	0.0086281	0.0324516	0.811291	7.30162	12.9807
806	0.0161	0.00860474	0.0323242	0.808106	7.27295	12.9297
807	0.016	0.00858145	0.0321973	0.804932	7.24438	12.8789
808	0.016	0.00855821	0.0320707	0.801769	7.21592	12.8283
809	0.016	0.00853503	0.0319447	0.798617	7.18755	12.7779
810	0.016	0.00851191	0.031819	0.795476	7.15928	12.7276
811	0.0159	0.00848885	0.0316938	0.792346	7.13111	12.6775
812	0.0159	0.00846585	0.0315691	0.789226	7.10304	12.6276
813	0.0159	0.00844291	0.0314447	0.786118	7.07506	12.5779
814	0.0158	0.00842002	0.0313208	0.783021	7.04719	12.5283
815	0.0158	0.0083972	0.0311974	0.779934	7.01941	12.479
816	0.0158	0.00837443	0.0310744	0.776859	6.99173	12.4297
817	0.0158	0.00835171	0.0309518	0.773794	6.96414	12.3807
818	0.0157	0.00832906	0.0308296	0.77074	6.93666	12.3318
819	0.0157	0.00830646	0.0307079	0.767696	6.90927	12.2831
820	0.0157	0.00828393	0.0305865	0.764664	6.88197	12.2346
821	0.0157	0.00826144	0.0304657	0.761642	6.85478	12.1863
822	0.0156	0.00823902	0.0303452	0.75863	6.82767	12.1381
823	0.0156	0.00821665	0.0302252	0.75563	6.80067	12.0901
824	0.0156	0.00819434	0.0301056	0.75264	6.77376	12.0422
825	0.0156	0.00817209	0.0299864	0.74966	6.74694	11.9946
826	0.0156	0.00814989	0.0298676	0.746691	6.72022	11.9471
827	0.0155	0.00812775	0.0297493	0.743733	6.69359	11.8997
828	0.0155	0.00810567	0.0296314	0.740785	6.66706	11.8526
829	0.0155	0.00808364	0.0295139	0.737847	6.64062	11.8056
830	0.0155	0.00806167	0.0293968	0.73492	6.61428	11.7587
831	0.0154	0.00803976	0.0292801	0.732003	6.58803	11.7121
832	0.0154	0.0080179	0.0291639	0.729097	6.56187	11.6656
833	0.0154	0.00799609	0.029048	0.726201	6.53581	11.6192
834	0.0154	0.00797434	0.0289326	0.723316	6.50984	11.573
835	0.0153	0.00795265	0.0288176	0.72044	6.48396	11.527
836	0.0153	0.00793101	0.028703	0.717575	6.45818	11.4812
837	0.0153	0.00790943	0.0285888	0.71472	6.43248	11.4355
838	0.0153	0.00788791	0.028475	0.711876	6.40688	11.39
839	0.0152	0.00786643	0.0283617	0.709041	6.38137	11.3447
840	0.0152	0.00784502	0.0282487	0.706217	6.35595	11.2995
841	0.0152	0.00782365	0.0281361	0.703403	6.33063	11.2544
842	0.0152	0.00780235	0.028024	0.700599	6.30539	11.2096
843	0.0151	0.00778109	0.0279122	0.697805	6.28025	11.1649
844	0.0151	0.00775989	0.0278008	0.695021	6.25519	11.1203
845	0.0151	0.00773875	0.0276899	0.692247	6.23023	11.076
846	0.0151	0.00771766	0.0275793	0.689483	6.20535	11.0317
847	0.015	0.00769662	0.0274692	0.68673	6.18057	10.9877
848	0.015	0.00767564	0.0273594	0.683986	6.15587	10.9438
849	0.015	0.00765471	0.0272501	0.681252	6.13126	10.9
850	0.015	0.00763383	0.0271411	0.678527	6.10675	10.8564
851	0.0149	0.00761301	0.0270325	0.675813	6.08232	10.813
852	0.0149	0.00759224	0.0269243	0.673109	6.05798	10.7697
853	0.0149	0.00757153	0.0268166	0.670414	6.03373	10.7266
854	0.0149	0.00755087	0.0267092	0.667729	6.00956	10.6837
855	0.0148	0.00753026	0.0266022	0.665054	5.98549	10.6409
856	0.0148	0.0075097	0.0264955	0.662389	5.9615	10.5982
857	0.0148	0.0074892	0.0263893	0.659733	5.9376	10.5557
858	0.0148	0.00746874	0.0262835	0.657087	5.91378	10.5134
859	0.0148	0.00744835	0.0261778	0.654451	5.89005	10.4712
860	0.0147	0.007428	0.026073	0.651824	5.86641	10.4292
861	0.0147	0.00740771	0.0259683	0.649207	5.84286	10.3873
862	0.0147	0.00738746	0.025864	0.646599	5.81939	10.3456
863	0.0147	0.00736727	0.02576	0.644001	5.79601	10.304
864	0.0146	0.00734714	0.0256565	0.641412	5.77271	10.2626
865	0.0146	0.00732705	0.0255533	0.638833	5.7495	10.2213
866	0.0146	0.00730702	0.0254505	0.636264	5.72637	10.1802
867	0.0146	0.00728703	0.0253481	0.633703	5.70333	10.1393
868	0.0145	0.0072671	0.0252461	0.631153	5.68037	10.0984
869	0.0145	0.00724722	0.0251444	0.628611	5.6575	10.0578
870	0.0145	0.00722739	0.0250432	0.626079	5.63471	10.0173
871	0.0145	0.00720761	0.0249423	0.623556	5.61201	9.9769
872	0.0145	0.00718789	0.0248417	0.621043	5.58939	9.93669
873	0.0144	0.00716821	0.0247416	0.618539	5.56685	9.89662
874	0.0144	0.00714859	0.0246418	0.616044	5.54439	9.8567
875	0.0144	0.00712901	0.0245423	0.613558	5.52202	9.81693
876	0.0144	0.00710949	0.0244433	0.611082	5.49973	9.77731
877	0.0143	0.00709001	0.0243446	0.608614	5.47753	9.73783
878	0.0143	0.00707059	0.0242462	0.606156	5.4554	9.6985
879	0.0143	0.00705122	0.0241483	0.603707	5.43336	9.65931
880	0.0143	0.00703189	0.0240507	0.601267	5.4114	9.62027
881	0.0142	0.00701262	0.0239534	0.598836	5.38952	9.58137
882	0.0142	0.00699339	0.0238566	0.596414	5.36773	9.54262

883	0.0142	0.00697422	0.02376	0.594001	5.34601	9.50402
884	0.0142	0.0069551	0.0236639	0.591597	5.32437	9.46555
885	0.0142	0.00693602	0.0235681	0.589202	5.30282	9.42723
886	0.0141	0.00691699	0.0234726	0.586816	5.28134	9.38906
887	0.0141	0.00689802	0.0233776	0.584439	5.25995	9.35102
888	0.0141	0.00687909	0.0232828	0.58207	5.23863	9.31313
889	0.0141	0.00686021	0.0231884	0.579711	5.2174	9.27538
890	0.014	0.00684138	0.0230944	0.57736	5.19624	9.23777
891	0.014	0.0068226	0.0230007	0.575019	5.17517	9.2003
892	0.014	0.00680387	0.0229074	0.572685	5.15417	9.16297
893	0.014	0.00678519	0.0228144	0.570361	5.13325	9.12578
894	0.014	0.00676655	0.0227218	0.568046	5.11241	9.08873
895	0.0139	0.00674796	0.0226295	0.565739	5.09165	9.05182
896	0.0139	0.00672943	0.0225376	0.56344	5.07096	9.01505
897	0.0139	0.00671094	0.022446	0.561151	5.05036	8.97841
898	0.0139	0.00669249	0.0223548	0.55887	5.02983	8.94192
899	0.0138	0.0066741	0.0222639	0.556597	5.00938	8.90556
900	0.0138	0.00665575	0.0221733	0.554334	4.989	8.86934
901	0.0138	0.00663745	0.0220831	0.552078	4.9687	8.83325
902	0.0138	0.0066192	0.0219933	0.549831	4.94848	8.7973
903	0.0138	0.006601	0.0219037	0.547593	4.92834	8.76149
904	0.0137	0.00658284	0.0218145	0.545363	4.90827	8.72581
905	0.0137	0.00656473	0.0217257	0.543142	4.88828	8.69027
906	0.0137	0.00654667	0.0216372	0.540929	4.86836	8.65486
907	0.0137	0.00652865	0.021549	0.538724	4.84852	8.61959
908	0.0136	0.00651069	0.0214611	0.536528	4.82875	8.58445
909	0.0136	0.00649276	0.0213736	0.53434	4.80906	8.54944
910	0.0136	0.00647489	0.0212864	0.53216	4.78944	8.51457
911	0.0136	0.00645706	0.0211996	0.529989	4.7699	8.47983
912	0.0136	0.00643928	0.021113	0.527826	4.75043	8.44522
913	0.0135	0.00642154	0.0210268	0.525671	4.73104	8.41074
914	0.0135	0.00640386	0.020941	0.523525	4.71172	8.37639
915	0.0135	0.00638621	0.0208554	0.521386	4.69247	8.34218
916	0.0135	0.00636862	0.0207702	0.519256	4.6733	8.30809
917	0.0135	0.00635106	0.0206853	0.517134	4.6542	8.27414
918	0.0134	0.00633356	0.0206008	0.51502	4.63518	8.24031
919	0.0134	0.0063161	0.0205165	0.512914	4.61622	8.20662
920	0.0134	0.00629869	0.0204326	0.510816	4.59734	8.17305
921	0.0134	0.00628132	0.020349	0.508726	4.57853	8.13961
922	0.0133	0.00626399	0.0202658	0.506644	4.55979	8.1063
923	0.0133	0.00624672	0.0201828	0.50457	4.54113	8.07312
924	0.0133	0.00622949	0.0201002	0.502504	4.52253	8.04006
925	0.0133	0.0062123	0.0200178	0.500446	4.50401	8.00713
926	0.0133	0.00619516	0.0199358	0.498396	4.48556	7.97433
927	0.0132	0.00617806	0.0198541	0.496353	4.46718	7.94166
928	0.0132	0.00616101	0.0197728	0.494319	4.44887	7.9091
929	0.0132	0.006144	0.0196917	0.492292	4.43063	7.87668
930	0.0132	0.00612704	0.0196109	0.490274	4.41246	7.84438
931	0.0132	0.00611012	0.0195305	0.488263	4.39436	7.8122
932	0.0131	0.00609324	0.0194504	0.486259	4.37634	7.78015
933	0.0131	0.00607641	0.0193706	0.484264	4.35838	7.74822
934	0.0131	0.00605963	0.019291	0.482276	4.34049	7.71642
935	0.0131	0.00604289	0.0192118	0.480296	4.32266	7.68474
936	0.0131	0.00602619	0.0191329	0.478324	4.30491	7.65318
937	0.013	0.00600953	0.0190544	0.476359	4.28723	7.62174
938	0.013	0.00599292	0.0189761	0.474402	4.26961	7.59043
939	0.013	0.00597636	0.0188981	0.472452	4.25207	7.55923
940	0.013	0.00595983	0.0188204	0.47051	4.23459	7.52816
941	0.0129	0.00594335	0.018743	0.468575	4.21718	7.49721
942	0.0129	0.00592692	0.0186659	0.466648	4.19984	7.46637
943	0.0129	0.00591053	0.0185892	0.464729	4.18256	7.43566
944	0.0129	0.00589418	0.0185127	0.462817	4.16535	7.40507
945	0.0129	0.00587787	0.0184365	0.460912	4.14821	7.37459
946	0.0128	0.00586161	0.0183606	0.459015	4.13113	7.34424
947	0.0128	0.00584539	0.018285	0.457125	4.11413	7.314
948	0.0128	0.00582921	0.0182097	0.455243	4.09718	7.28388
949	0.0128	0.00581307	0.0181347	0.453368	4.08031	7.25388
950	0.0128	0.00579698	0.01806	0.4515	4.0635	7.224
951	0.0127	0.00578093	0.0179856	0.449639	4.04675	7.19423
952	0.0127	0.00576492	0.0179114	0.447786	4.03007	7.16458
953	0.0127	0.00574896	0.0178376	0.44594	4.01346	7.13504
954	0.0127	0.00573303	0.0177641	0.444101	3.99691	7.10562
955	0.0127	0.00571715	0.0176908	0.44227	3.98043	7.07632
956	0.0126	0.00570131	0.0176178	0.440445	3.96401	7.04713
957	0.0126	0.00568552	0.0175451	0.438628	3.94765	7.01805
958	0.0126	0.00566976	0.0174727	0.436818	3.93136	6.98909
959	0.0126	0.00565405	0.0174006	0.435015	3.91514	6.96024
960	0.0126	0.00563838	0.0173288	0.433219	3.89897	6.93151
961	0.0125	0.00562274	0.0172572	0.43143	3.88287	6.90289
962	0.0125	0.00560716	0.0171859	0.429649	3.86684	6.87438
963	0.0125	0.00559161	0.017115	0.427874	3.85086	6.84598
964	0.0125	0.0055761	0.0170442	0.426106	3.83495	6.81777
965	0.0125	0.00556063	0.0169738	0.424345	3.81911	6.78952
966	0.0124	0.00554521	0.0169037	0.422591	3.80332	6.76146
967	0.0124	0.00552983	0.0168338	0.420844	3.7876	6.73351
968	0.0124	0.00551448	0.0167642	0.419104	3.77194	6.70567
969	0.0124	0.00549918	0.0166948	0.417371	3.75634	6.67794
970	0.0124	0.00548392	0.0166258	0.415645	3.7408	6.65031
971	0.0123	0.0054687	0.016557	0.413925	3.72533	6.6228
972	0.0123	0.00545352	0.0164885	0.412212	3.70991	6.5954
973	0.0123	0.00543838	0.0164203	0.410506	3.69456	6.5681
974	0.0123	0.00542328	0.0163523	0.408807	3.67927	6.54092
975	0.0123	0.00540822	0.0162846	0.407115	3.66403	6.51384
976	0.0122	0.00539322	0.0162172	0.405429	3.64886	6.48686
977	0.0122	0.00537822	0.01615	0.40375	3.63375	6.46

978	0.0122	0.00536328	0.0160831	0.402078	3.6187	6.43324
979	0.0122	0.00534838	0.0160165	0.400412	3.60371	6.40659
980	0.0122	0.00533352	0.0159501	0.398753	3.58877	6.38004
981	0.0121	0.0053187	0.015884	0.3971	3.5739	6.3536
982	0.0121	0.00530392	0.0158182	0.395454	3.55909	6.32727
983	0.0121	0.00528918	0.0157526	0.393815	3.54433	6.30104
984	0.0121	0.00527447	0.0156873	0.392182	3.52964	6.27491
985	0.0121	0.00525981	0.0156222	0.390556	3.515	6.24889
986	0.012	0.00524519	0.0155574	0.388936	3.50042	6.22297
987	0.012	0.0052306	0.0154929	0.387322	3.4859	6.19716
988	0.012	0.00521605	0.0154286	0.385715	3.47144	6.17145
989	0.012	0.00520155	0.0153646	0.384115	3.45703	6.14584
990	0.012	0.00518708	0.0153008	0.382521	3.44269	6.12033
991	0.0119	0.00517265	0.0152379	0.380933	3.4284	6.09493
992	0.0119	0.00515826	0.0151741	0.379352	3.41416	6.06963
993	0.0119	0.00514391	0.0151111	0.377777	3.39999	6.04443
994	0.0119	0.00512959	0.0150483	0.376208	3.38587	6.01933
995	0.0119	0.00511531	0.0149858	0.374645	3.37181	5.99433
996	0.0118	0.00510108	0.0149236	0.373089	3.3578	5.96943
997	0.0118	0.00508688	0.0148616	0.371539	3.34385	5.94463
998	0.0118	0.00507272	0.0147998	0.369995	3.32996	5.91993
999	0.0118	0.00505859	0.0147383	0.368458	3.31612	5.89533
1000	0.0118	0.00504451	0.0146771	0.366927	3.30234	5.87082
1001	0.0118	0.00503046	0.0146161	0.365401	3.28861	5.84642
1002	0.0117	0.00501645	0.0145553	0.363882	3.27494	5.82212
1003	0.0117	0.00500248	0.0144948	0.362369	3.26132	5.79791
1004	0.0117	0.00498854	0.0144345	0.360862	3.24776	5.7738
1005	0.0117	0.00497464	0.0143745	0.359362	3.23426	5.74979
1006	0.0117	0.00496078	0.0143147	0.357867	3.2208	5.72587
1007	0.0116	0.00494696	0.0142551	0.356378	3.2074	5.70205
1008	0.0116	0.00493317	0.0141958	0.354896	3.19406	5.67833
1009	0.0116	0.00491942	0.0141368	0.353419	3.18077	5.6547
1010	0.0116	0.00490571	0.0140779	0.351948	3.16753	5.63117
1011	0.0116	0.00489204	0.0140193	0.350483	3.15435	5.60773
1012	0.0115	0.0048784	0.013961	0.349024	3.14122	5.58439
1013	0.0115	0.0048648	0.0139029	0.347571	3.12814	5.56114
1014	0.0115	0.00485123	0.013845	0.346124	3.11512	5.53799
1015	0.0115	0.0048377	0.0137873	0.344683	3.10215	5.51493
1016	0.0115	0.00482421	0.0137299	0.343248	3.08923	5.49196
1017	0.0114	0.00481076	0.0136727	0.341818	3.07636	5.46909
1018	0.0114	0.00479734	0.0136158	0.340394	3.06355	5.44631
1019	0.0114	0.00478395	0.0135591	0.338976	3.05079	5.42362
1020	0.0114	0.00477061	0.0135026	0.337564	3.03808	5.40102
1021	0.0114	0.0047573	0.0134463	0.336158	3.02542	5.37852
1022	0.0114	0.00474402	0.0133903	0.334757	3.01281	5.35611
1023	0.0113	0.00473078	0.0133345	0.333362	3.00025	5.33379
1024	0.0113	0.00471758	0.0132789	0.331972	2.98775	5.31156
1025	0.0113	0.00470441	0.0132235	0.330588	2.9753	5.28941
1026	0.0113	0.00469128	0.0131684	0.32921	2.96289	5.26736
1027	0.0113	0.00467818	0.0131135	0.327838	2.95054	5.2454
1028	0.0112	0.00466512	0.0130588	0.326471	2.93824	5.22353
1029	0.0112	0.0046521	0.0130044	0.325109	2.92599	5.20175
1030	0.0112	0.00463911	0.0129501	0.323754	2.91378	5.18006
1031	0.0112	0.00462615	0.0128961	0.322403	2.90163	5.15845
1032	0.0112	0.00461323	0.0128423	0.321059	2.88953	5.13694
1033	0.0112	0.00460034	0.0127888	0.319719	2.87747	5.11551
1034	0.0111	0.00458749	0.0127354	0.318385	2.86547	5.09417
1035	0.0111	0.00457468	0.0126823	0.317057	2.85351	5.07291
1036	0.0111	0.0045619	0.0126294	0.315734	2.84161	5.05175
1037	0.0111	0.00454915	0.0125767	0.314417	2.82975	5.03067
1038	0.0111	0.00453644	0.0125242	0.313105	2.81794	5.00967
1039	0.011	0.00452376	0.0124719	0.311798	2.80618	4.98877
1040	0.011	0.00451112	0.0124199	0.310496	2.79447	4.96794
1041	0.011	0.00449851	0.012368	0.3092	2.7828	4.94721
1042	0.011	0.00448594	0.0123164	0.30791	2.77119	4.92655
1043	0.011	0.0044734	0.012265	0.306624	2.75962	4.90599
1044	0.011	0.00446089	0.0122138	0.305344	2.7481	4.8855
1045	0.0109	0.00444842	0.0121628	0.304069	2.73662	4.8651
1046	0.0109	0.00443598	0.0121119	0.302799	2.72519	4.84479
1047	0.0109	0.00442358	0.0120614	0.301535	2.71381	4.82456
1048	0.0109	0.00441121	0.012011	0.300276	2.70248	4.80441
1049	0.0109	0.00439887	0.0119609	0.299022	2.69119	4.78434
1050	0.0108	0.00438657	0.0119109	0.297773	2.67995	4.76436
1051	0.0108	0.0043743	0.0118612	0.296529	2.66876	4.74446
1052	0.0108	0.00436206	0.0118116	0.29529	2.65761	4.72464
1053	0.0108	0.00434986	0.0117623	0.294057	2.64651	4.7049
1054	0.0108	0.00433769	0.0117131	0.292828	2.63545	4.68525
1055	0.0108	0.00432555	0.0116642	0.291605	2.62444	4.66567
1056	0.0107	0.00431345	0.0116154	0.290386	2.61348	4.64618
1057	0.0107	0.00430138	0.0115669	0.289173	2.60256	4.62677
1058	0.0107	0.00428934	0.0115186	0.287965	2.59168	4.60743
1059	0.0107	0.00427734	0.0114704	0.286761	2.58085	4.58818
1060	0.0107	0.00426536	0.0114225	0.285563	2.57006	4.569
1061	0.0107	0.00425343	0.0113748	0.284369	2.55932	4.54991
1062	0.0106	0.00424152	0.0113272	0.283181	2.54863	4.53089
1063	0.0106	0.00422965	0.0112799	0.281997	2.53797	4.51196
1064	0.0106	0.0042178	0.0112327	0.280818	2.52737	4.4931
1065	0.0106	0.004206	0.0111858	0.279645	2.5168	4.47431
1066	0.0106	0.00419422	0.011139	0.278476	2.50628	4.45561
1067	0.0105	0.00418247	0.0110925	0.277312	2.4958	4.43699
1068	0.0105	0.00417076	0.0110461	0.276152	2.48537	4.41844
1069	0.0105	0.00415908	0.0109999	0.274998	2.47498	4.39996
1070	0.0105	0.00414743	0.0109539	0.273848	2.46463	4.38157
1071	0.0105	0.00413582	0.0109081	0.272703	2.45433	4.36325
1072	0.0105	0.00412423	0.0108625	0.271563	2.44407	4.34501

1073	0.0104	0.00411268	0.0108171	0.270427	2.43385	4.32684
1074	0.0104	0.00410116	0.0107719	0.269297	2.42367	4.30875
1075	0.0104	0.00408967	0.0107268	0.268171	2.41354	4.29073
1076	0.0104	0.00407821	0.010682	0.267049	2.40344	4.27279
1077	0.0104	0.00406678	0.0106373	0.265933	2.39339	4.25492
1078	0.0104	0.00405539	0.0105928	0.26482	2.38338	4.23713
1079	0.0103	0.00404402	0.0105485	0.263713	2.37342	4.21941
1080	0.0103	0.00403269	0.0105044	0.26261	2.36349	4.20176
1081	0.0103	0.00402139	0.0104605	0.261512	2.35361	4.18419
1082	0.0103	0.00401012	0.0104167	0.260418	2.34376	4.16669
1083	0.0103	0.00399888	0.0103732	0.259329	2.33396	4.14927
1084	0.0103	0.00398767	0.0103298	0.258245	2.3242	4.13191
1085	0.0102	0.00397649	0.0102866	0.257164	2.31448	4.11463
1086	0.0102	0.00396535	0.0102436	0.256089	2.3048	4.09742
1087	0.0102	0.00395423	0.0102007	0.255018	2.29516	4.08028
1088	0.0102	0.00394314	0.010158	0.253951	2.28556	4.06322
1089	0.0102	0.00393209	0.0101156	0.252889	2.276	4.04622
1090	0.0102	0.00392106	0.0100733	0.251831	2.26648	4.0293
1091	0.0101	0.00391007	0.0100311	0.250778	2.257	4.01245
1092	0.0101	0.00389911	0.00998916	0.249729	2.24756	3.99566
1093	0.0101	0.00388817	0.00994738	0.248684	2.23816	3.97895
1094	0.0101	0.00387727	0.00990577	0.247644	2.2288	3.96231
1095	0.0101	0.00386639	0.00986434	0.246609	2.21948	3.94574
1096	0.0101	0.00385555	0.00982308	0.245577	2.21019	3.92923
1097	0.01	0.00384474	0.00978199	0.24455	2.20095	3.9128
1098	0.01	0.00383395	0.00974108	0.243527	2.19174	3.89643
1099	0.01	0.0038232	0.00970033	0.242508	2.18258	3.88013
1100	0.00998	0.00381247	0.00965976	0.241494	2.17345	3.8639
1101	0.00996	0.00380178	0.00961936	0.240484	2.16436	3.84774
1102	0.00995	0.00379111	0.00957912	0.239478	2.1553	3.83165
1103	0.00993	0.00378048	0.00953906	0.238476	2.14629	3.81562
1104	0.00992	0.00376987	0.00949916	0.237479	2.13731	3.79966
1105	0.0099	0.00375929	0.00945943	0.236486	2.12837	3.78377
1106	0.00988	0.00374875	0.00941987	0.235497	2.11947	3.76795
1107	0.00986	0.00373823	0.00938047	0.234512	2.11061	3.75219
1108	0.00985	0.00372774	0.00934124	0.233531	2.10178	3.73649
1109	0.00983	0.00371728	0.00930217	0.232554	2.09299	3.72087
1110	0.00982	0.00370685	0.00926327	0.231582	2.08423	3.70531
1111	0.0098	0.00369644	0.00922453	0.230613	2.07552	3.68981
1112	0.00978	0.00368607	0.00918595	0.229649	2.06684	3.67438
1113	0.00977	0.00367572	0.00914753	0.228688	2.0582	3.65901
1114	0.00975	0.00366541	0.00910928	0.227732	2.04959	3.64371
1115	0.00973	0.00365512	0.00907119	0.22678	2.04102	3.62847
1116	0.00972	0.00364486	0.00903325	0.225831	2.03248	3.6133
1117	0.0097	0.00363463	0.00899548	0.224887	2.02398	3.59819
1118	0.00969	0.00362443	0.00895787	0.223947	2.01552	3.58315
1119	0.00967	0.00361425	0.00892041	0.22301	2.00709	3.56816
1120	0.00965	0.00360411	0.00888311	0.222078	1.9987	3.55325
1121	0.00963	0.00359399	0.00884597	0.221149	1.99034	3.53839
1122	0.00962	0.0035839	0.00880899	0.220225	1.98202	3.5236
1123	0.0096	0.00357384	0.00877216	0.219304	1.97374	3.50886
1124	0.00959	0.0035638	0.00873549	0.218387	1.96548	3.49419
1125	0.00957	0.0035538	0.00869897	0.217474	1.95727	3.47959
1126	0.00956	0.00354382	0.0086626	0.216565	1.94909	3.46504
1127	0.00954	0.00353387	0.00862639	0.21566	1.94094	3.45056
1128	0.00952	0.00352395	0.00859033	0.214758	1.93282	3.43613
1129	0.0095	0.00351405	0.00855442	0.213861	1.92475	3.42177
1130	0.00949	0.00350419	0.00851867	0.212967	1.9167	3.40747
1131	0.00947	0.00349435	0.00848307	0.212077	1.90869	3.39323
1132	0.00946	0.00348453	0.00844761	0.21119	1.90071	3.37904
1133	0.00944	0.00347475	0.00841231	0.210308	1.89277	3.36492
1134	0.00943	0.00346499	0.00837715	0.209429	1.88486	3.35086
1135	0.00941	0.00345526	0.00834215	0.208554	1.87698	3.33686
1136	0.00939	0.00344556	0.00830729	0.207682	1.86914	3.32292
1137	0.00938	0.00343588	0.00827258	0.206814	1.86133	3.30903
1138	0.00936	0.00342623	0.00823801	0.20595	1.85355	3.29521
1139	0.00934	0.00341661	0.0082036	0.20509	1.84581	3.28144
1140	0.00933	0.00340701	0.00816932	0.204233	1.8381	3.26773
1141	0.00931	0.00339744	0.0081352	0.203378	1.83042	3.25408
1142	0.0093	0.0033879	0.00810121	0.20253	1.82277	3.24049
1143	0.00928	0.00337838	0.00806738	0.201684	1.81516	3.22695
1144	0.00927	0.00336889	0.00803368	0.200842	1.80758	3.21347
1145	0.00925	0.00335943	0.00800013	0.200003	1.80003	3.20005
1146	0.00924	0.00335	0.00796672	0.199168	1.79251	3.18669
1147	0.00922	0.00334059	0.00793345	0.198336	1.78503	3.17338
1148	0.0092	0.0033312	0.00790032	0.197508	1.77757	3.16013
1149	0.00919	0.00332184	0.00786733	0.196683	1.77015	3.14693
1150	0.00917	0.00331251	0.00783448	0.195862	1.76276	3.13379
1151	0.00915	0.00330321	0.00780178	0.195044	1.7554	3.12071
1152	0.00914	0.00329393	0.00776921	0.19423	1.74807	3.10768
1153	0.00912	0.00328468	0.00773677	0.193419	1.74077	3.09471
1154	0.00911	0.00327545	0.00770448	0.192612	1.73351	3.08179
1155	0.00909	0.00326625	0.00767232	0.191808	1.72627	3.06893
1156	0.00908	0.00325707	0.0076403	0.191008	1.71907	3.05612
1157	0.00906	0.00324792	0.00760842	0.19021	1.71189	3.04337
1158	0.00905	0.0032388	0.00757667	0.189417	1.70475	3.03067
1159	0.00903	0.0032297	0.00754506	0.188626	1.69764	3.01802
1160	0.00902	0.00322063	0.00751358	0.187839	1.69055	3.00543
1161	0.009	0.00321158	0.00748223	0.187056	1.6835	2.99289
1162	0.00899	0.00320256	0.00745102	0.186275	1.67648	2.98041
1163	0.00897	0.00319356	0.00741994	0.185498	1.66949	2.96797
1164	0.00895	0.00318459	0.00738899	0.184725	1.66252	2.9556
1165	0.00894	0.00317564	0.00735817	0.183954	1.65559	2.94327
1166	0.00892	0.00316672	0.00732749	0.183187	1.64868	2.93099
1167	0.00891	0.00315782	0.00729693	0.182423	1.64181	2.91877

1168	0.00889	0.00314895	0.00726651	0.181663	1.63496	2.9066
1169	0.00888	0.0031401	0.00723621	0.180905	1.62815	2.89448
1170	0.00886	0.00313128	0.00720604	0.180151	1.62136	2.88242
1171	0.00885	0.00312249	0.00717601	0.1794	1.6146	2.8704
1172	0.00883	0.00311371	0.0071461	0.178652	1.60787	2.85844
1173	0.00881	0.00310497	0.00711631	0.177908	1.60117	2.84653
1174	0.0088	0.00309624	0.00708666	0.177166	1.5945	2.83466
1175	0.00878	0.00308754	0.00705713	0.176428	1.58785	2.82285
1176	0.00877	0.00307887	0.00702772	0.175693	1.58124	2.81109
1177	0.00875	0.00307022	0.00699845	0.174961	1.57465	2.79938
1178	0.00874	0.0030616	0.00696929	0.174232	1.56809	2.78772
1179	0.00872	0.00305299	0.00694026	0.173507	1.56156	2.7761
1180	0.00871	0.00304442	0.00691136	0.172784	1.55506	2.76454
1181	0.00869	0.00303587	0.00688257	0.172064	1.54858	2.75303
1182	0.00868	0.00302734	0.00685391	0.171348	1.54213	2.74157
1183	0.00866	0.00301883	0.00682538	0.170634	1.53571	2.73015
1184	0.00865	0.00301035	0.00679696	0.169924	1.52932	2.71878
1185	0.00863	0.0030019	0.00676867	0.169217	1.52295	2.70747
1186	0.00862	0.00299346	0.00674049	0.168512	1.51661	2.6962
1187	0.0086	0.00298505	0.00671244	0.167811	1.5103	2.68497
1188	0.00859	0.00297667	0.0066845	0.167113	1.50401	2.6738
1189	0.00857	0.00296831	0.00665669	0.166417	1.49775	2.66268
1190	0.00856	0.00295997	0.00662899	0.165725	1.49152	2.6516
1191	0.00854	0.00295165	0.00660141	0.165035	1.48532	2.64057
1192	0.00853	0.00294336	0.00657395	0.164349	1.47914	2.62958
1193	0.00851	0.00293509	0.00654661	0.163665	1.47299	2.61864
1194	0.0085	0.00292685	0.00651939	0.162985	1.46686	2.60775
1195	0.00848	0.00291863	0.00649228	0.162307	1.46076	2.59691
1196	0.00847	0.00291043	0.00646528	0.161632	1.45469	2.58611
1197	0.00845	0.00290226	0.0064384	0.16096	1.44864	2.57536
1198	0.00844	0.00289411	0.00641164	0.160291	1.44262	2.56466
1199	0.00842	0.00288598	0.00638499	0.159625	1.43662	2.554
1200	0.00841	0.00287787	0.00635845	0.158961	1.43065	2.54338
1201	0.0084	0.00286979	0.00633203	0.158301	1.42471	2.53281
1202	0.00838	0.00286173	0.00630572	0.157643	1.41879	2.52229
1203	0.00837	0.00285369	0.00627953	0.156988	1.41289	2.51181
1204	0.00835	0.00284568	0.00625344	0.156336	1.40702	2.50138
1205	0.00834	0.00283769	0.00622747	0.155687	1.40118	2.49099
1206	0.00832	0.00282972	0.00620161	0.15504	1.39536	2.48064
1207	0.00831	0.00282177	0.00617586	0.154396	1.38957	2.47034
1208	0.00829	0.00281385	0.00615021	0.153755	1.3838	2.46009
1209	0.00828	0.00280594	0.00612468	0.153117	1.37805	2.44987
1210	0.00827	0.00279807	0.00609926	0.152482	1.37233	2.4397
1211	0.00825	0.00279021	0.00607395	0.151849	1.36664	2.42958
1212	0.00824	0.00278237	0.00604874	0.151219	1.36097	2.4195
1213	0.00822	0.00277456	0.00602365	0.150591	1.35532	2.40946
1214	0.00821	0.00276677	0.00599866	0.149966	1.3497	2.39946
1215	0.00819	0.002759	0.00597377	0.149344	1.3441	2.38951
1216	0.00818	0.00275126	0.005949	0.148725	1.33852	2.3796
1217	0.00816	0.00274353	0.00592433	0.148108	1.33297	2.36973
1218	0.00815	0.00273583	0.00589976	0.147494	1.32745	2.3599
1219	0.00813	0.00272815	0.0058753	0.146883	1.32194	2.35012
1220	0.00812	0.00272049	0.00585095	0.146274	1.31646	2.34038
1221	0.0081	0.00271285	0.0058267	0.145667	1.31101	2.33068
1222	0.00809	0.00270524	0.00580255	0.145063	1.30557	2.32102
1223	0.00808	0.00269765	0.00577851	0.144464	1.30016	2.3114
1224	0.00806	0.00269007	0.00575457	0.143864	1.29478	2.30183
1225	0.00805	0.00268252	0.00573073	0.143268	1.28941	2.29229
1226	0.00803	0.00267499	0.005707	0.142675	1.28407	2.2828
1227	0.00802	0.00266749	0.00568336	0.142084	1.27876	2.27335
1228	0.00801	0.00266	0.00565983	0.141496	1.27346	2.26393
1229	0.00799	0.00265254	0.0056364	0.14091	1.26819	2.25456
1230	0.00798	0.00264509	0.00561307	0.140327	1.26294	2.24523
1231	0.00796	0.00263767	0.00558984	0.139746	1.25771	2.23594
1232	0.00795	0.00263027	0.00556671	0.139168	1.25251	2.22668
1233	0.00793	0.00262289	0.00554368	0.138592	1.24733	2.21747
1234	0.00792	0.00261553	0.00552074	0.138019	1.24217	2.2083
1235	0.0079	0.00260819	0.00549791	0.137448	1.23703	2.19916
1236	0.00789	0.00260087	0.00547517	0.136879	1.23191	2.19007
1237	0.00788	0.00259357	0.00545253	0.136313	1.22682	2.18101
1238	0.00786	0.0025863	0.00542999	0.13575	1.22175	2.172
1239	0.00785	0.00257904	0.00540754	0.135189	1.2167	2.16302
1240	0.00784	0.00257181	0.00538519	0.13463	1.21167	2.15408
1241	0.00782	0.00256459	0.00536294	0.134073	1.20666	2.14518
1242	0.00781	0.0025574	0.00534078	0.13352	1.20168	2.13631
1243	0.00779	0.00255023	0.00531872	0.132968	1.19671	2.12749
1244	0.00778	0.00254307	0.00529675	0.132419	1.19177	2.1187
1245	0.00776	0.00253594	0.00527488	0.131872	1.18685	2.10995
1246	0.00775	0.00252883	0.0052531	0.131327	1.18195	2.10124
1247	0.00774	0.00252174	0.00523141	0.130785	1.17707	2.09256
1248	0.00773	0.00251467	0.00520981	0.130245	1.17221	2.08393
1249	0.00771	0.00250761	0.00518831	0.129708	1.16737	2.07533
1250	0.0077	0.00250058	0.0051669	0.129173	1.16255	2.06676
1251	0.00768	0.00249357	0.00514559	0.12864	1.15776	2.05824
1252	0.00767	0.00248658	0.00512436	0.128109	1.15298	2.04974
1253	0.00765	0.00247961	0.00510323	0.127581	1.14823	2.04129
1254	0.00764	0.00247266	0.00508218	0.127055	1.14349	2.03287
1255	0.00763	0.00246573	0.00506123	0.126531	1.13878	2.02449
1256	0.00761	0.00245881	0.00504037	0.126009	1.13408	2.01615
1257	0.0076	0.00245192	0.00501959	0.12549	1.12941	2.00784
1258	0.00759	0.00244505	0.00499891	0.124973	1.12475	1.99956
1259	0.00757	0.0024382	0.00497831	0.124458	1.12012	1.99133
1260	0.00756	0.00243136	0.00495781	0.123945	1.11551	1.98312
1261	0.00754	0.00242455	0.00493739	0.123435	1.11091	1.97495
1262	0.00753	0.00241776	0.00491705	0.122926	1.10634	1.96682

1263	0.00752	0.00241098	0.00489681	0.12242	1.10178	1.95872
1264	0.00751	0.00240423	0.00487966	0.121916	1.09725	1.95066
1265	0.00749	0.00239749	0.00485658	0.121415	1.09273	1.94263
1266	0.00748	0.00239077	0.0048366	0.120915	1.08823	1.93464
1267	0.00746	0.00238407	0.0048167	0.120417	1.08376	1.92668
1268	0.00745	0.0023774	0.00479688	0.119922	1.0793	1.91875
1269	0.00744	0.00237074	0.00477716	0.119429	1.07486	1.91086
1270	0.00742	0.0023641	0.00475751	0.118938	1.07044	1.903
1271	0.00741	0.00235748	0.00473795	0.118449	1.06604	1.89518
1272	0.0074	0.00235087	0.00471848	0.117962	1.06166	1.88739
1273	0.00738	0.00234429	0.00469909	0.117477	1.05729	1.87963
1274	0.00737	0.00233772	0.00467978	0.116994	1.05295	1.87191
1275	0.00735	0.00233118	0.00466055	0.116514	1.04862	1.86422
1276	0.00734	0.00232465	0.00464141	0.116035	1.04432	1.85656
1277	0.00733	0.00231814	0.00462235	0.115559	1.04003	1.84894
1278	0.00732	0.00231165	0.00460337	0.115084	1.03576	1.84135
1279	0.0073	0.00230518	0.00458447	0.114612	1.03151	1.83379
1280	0.00729	0.00229873	0.00456565	0.114141	1.02727	1.82626
1281	0.00727	0.00229229	0.00454692	0.113673	1.02306	1.81877
1282	0.00726	0.00228588	0.00452826	0.113207	1.01886	1.81131
1283	0.00725	0.00227948	0.00450969	0.112742	1.01468	1.80388
1284	0.00724	0.0022731	0.00449119	0.11228	1.01052	1.79648
1285	0.00722	0.00226674	0.00447278	0.111819	1.00638	1.78911
1286	0.00721	0.0022604	0.00445444	0.111361	1.00225	1.78178
1287	0.00719	0.00225407	0.00443618	0.110905	0.998141	1.77447
1288	0.00718	0.00224777	0.004418	0.11045	0.994051	1.7672
1289	0.00717	0.00224148	0.0043999	0.109998	0.989978	1.75996
1290	0.00716	0.00223521	0.00438188	0.109547	0.985923	1.75275
1291	0.00714	0.00222896	0.00436393	0.109098	0.981885	1.74557
1292	0.00713	0.00222272	0.00434606	0.108652	0.977864	1.73843
1293	0.00712	0.00221651	0.00432827	0.108207	0.973861	1.73131
1294	0.0071	0.00221031	0.00431055	0.107764	0.969875	1.72422
1295	0.00709	0.00220413	0.00429291	0.107323	0.965906	1.71717
1296	0.00708	0.00219796	0.00427535	0.106884	0.961954	1.71014
1297	0.00706	0.00219182	0.00425786	0.106447	0.958019	1.70314
1298	0.00705	0.00218569	0.00424045	0.106011	0.954101	1.69618
1299	0.00704	0.00217958	0.00422311	0.105578	0.9502	1.68924
1300	0.00703	0.00217349	0.00420584	0.105146	0.946315	1.68234
1301	0.00701	0.00216741	0.00418865	0.104716	0.942447	1.67546
1302	0.007	0.00216136	0.00417154	0.104288	0.938596	1.66861
1303	0.00698	0.00215532	0.00415449	0.103862	0.934761	1.6618
1304	0.00697	0.00214929	0.00413752	0.103438	0.930943	1.65501
1305	0.00696	0.00214329	0.00412063	0.103016	0.927141	1.64825
1306	0.00695	0.0021373	0.0041038	0.102595	0.923356	1.64152
1307	0.00693	0.00213133	0.00408705	0.102176	0.919586	1.63482
1308	0.00692	0.00212537	0.00407037	0.101759	0.915833	1.62815
1309	0.00691	0.00211944	0.00405376	0.101344	0.912096	1.6215
1310	0.0069	0.00211352	0.00403722	0.100931	0.908375	1.61489
1311	0.00688	0.00210761	0.00402076	0.100519	0.90467	1.6083
1312	0.00687	0.00210173	0.00400436	0.100109	0.900981	1.60174
1313	0.00686	0.00209586	0.00398804	0.0997009	0.897308	1.59521
1314	0.00685	0.00209001	0.00397178	0.0992945	0.89365	1.58871
1315	0.00683	0.00208417	0.00395559	0.098889	0.890009	1.58224
1316	0.00682	0.00207835	0.00393948	0.0984869	0.886383	1.57579
1317	0.0068	0.00207255	0.00392343	0.0980858	0.882772	1.56937
1318	0.00679	0.00206677	0.00390745	0.0976863	0.879177	1.56298
1319	0.00678	0.002061	0.00389154	0.0972886	0.875597	1.55662
1320	0.00677	0.00205525	0.0038757	0.0968925	0.872033	1.55028
1321	0.00675	0.00204951	0.00385993	0.0964982	0.868484	1.54397
1322	0.00674	0.00204379	0.00384422	0.0961056	0.86495	1.53769
1323	0.00673	0.00203809	0.00382858	0.0957146	0.861431	1.53143
1324	0.00672	0.00203241	0.00381301	0.0953253	0.857928	1.52521
1325	0.0067	0.00202674	0.00379751	0.0949377	0.854439	1.519
1326	0.00669	0.00202108	0.00378207	0.0945518	0.850966	1.51283
1327	0.00668	0.00201545	0.0037667	0.0941675	0.847507	1.50668
1328	0.00667	0.00200983	0.00375139	0.0937848	0.844063	1.50056
1329	0.00665	0.00200422	0.00373615	0.0934038	0.840634	1.49446
1330	0.00664	0.00199863	0.00372098	0.0930244	0.83722	1.48839
1331	0.00663	0.00199306	0.00370587	0.0926467	0.83382	1.48235
1332	0.00662	0.0019875	0.00369082	0.0922706	0.830435	1.47633
1333	0.0066	0.00198196	0.00367584	0.0918961	0.827065	1.47034
1334	0.00659	0.00197644	0.00366093	0.0915232	0.823708	1.46437
1335	0.00658	0.00197093	0.00364607	0.0911518	0.820367	1.45843
1336	0.00657	0.00196544	0.00363129	0.0907821	0.817039	1.45251
1337	0.00655	0.00195996	0.00361656	0.090414	0.813726	1.44662
1338	0.00654	0.0019545	0.0036019	0.0900474	0.810427	1.44076
1339	0.00653	0.00194906	0.0035873	0.0896825	0.807142	1.43492
1340	0.00652	0.00194363	0.00357276	0.089319	0.803871	1.4291
1341	0.0065	0.00193821	0.00355829	0.0889572	0.800615	1.42332
1342	0.00649	0.00193282	0.00354388	0.0885969	0.797372	1.41755
1343	0.00648	0.00192743	0.00352952	0.0882381	0.794143	1.41181
1344	0.00647	0.00192207	0.00351524	0.0878809	0.790928	1.40609
1345	0.00645	0.00191671	0.00350101	0.0875252	0.787727	1.4004
1346	0.00644	0.00191138	0.00348684	0.087171	0.784539	1.39474
1347	0.00643	0.00190606	0.00347273	0.0868184	0.781365	1.38909
1348	0.00642	0.00190075	0.00345869	0.0864672	0.778205	1.38348
1349	0.0064	0.00189546	0.0034447	0.0861176	0.775058	1.37788
1350	0.00639	0.00189019	0.00343078	0.0857694	0.771925	1.37231
1351	0.00638	0.00188493	0.00341691	0.0854228	0.768805	1.36676
1352	0.00637	0.00187968	0.0034031	0.0850776	0.765698	1.36124
1353	0.00636	0.00187445	0.00338936	0.0847339	0.762605	1.35574
1354	0.00635	0.00186924	0.00337567	0.0843917	0.759525	1.35027
1355	0.00633	0.00186404	0.00336204	0.0840509	0.756458	1.34481
1356	0.00632	0.00185886	0.00334847	0.0837116	0.753405	1.33939
1357	0.00631	0.00185369	0.00333495	0.0833738	0.750364	1.33398

1358	0.0063	0.00184853	0.0033215	0.0830374	0.747337	1.3286
1359	0.00628	0.0018434	0.0033081	0.0827024	0.744322	1.32324
1360	0.00627	0.00183827	0.00329476	0.0823689	0.74132	1.3179
1361	0.00626	0.00183316	0.00328147	0.0820368	0.738331	1.31259
1362	0.00625	0.00182807	0.00326825	0.0817061	0.735355	1.3073
1363	0.00623	0.00182299	0.00325507	0.0813769	0.732392	1.30203
1364	0.00622	0.00181792	0.00324196	0.081049	0.729441	1.29678
1365	0.00621	0.00181287	0.0032289	0.0807226	0.726503	1.29156
1366	0.0062	0.00180783	0.0032159	0.0803975	0.723578	1.28636
1367	0.00619	0.00180281	0.00320295	0.0800738	0.720665	1.28118
1368	0.00618	0.0017978	0.00319006	0.0797516	0.717764	1.27602
1369	0.00616	0.00179281	0.00317723	0.0794307	0.714876	1.27089
1370	0.00615	0.00178783	0.00316444	0.0791111	0.712	1.26578
1371	0.00614	0.00178287	0.00315172	0.078793	0.709137	1.26069
1372	0.00613	0.00177792	0.00313905	0.0784761	0.706285	1.25562
1373	0.00611	0.00177298	0.00312643	0.0781607	0.703446	1.25057
1374	0.0061	0.00176806	0.00311386	0.0778466	0.700619	1.24555
1375	0.00609	0.00176316	0.00310135	0.0775338	0.697804	1.24054
1376	0.00608	0.00175826	0.0030889	0.0772224	0.695002	1.23556
1377	0.00607	0.00175338	0.00307649	0.0769123	0.692211	1.2306
1378	0.00606	0.00174852	0.00306414	0.0766035	0.689432	1.22566
1379	0.00604	0.00174367	0.00305184	0.0762961	0.686665	1.22074
1380	0.00603	0.00173883	0.0030396	0.0759899	0.683909	1.21584
1381	0.00602	0.00173401	0.0030274	0.0756851	0.681166	1.21096
1382	0.00601	0.0017292	0.00301526	0.0753816	0.678434	1.20611
1383	0.006	0.00172441	0.00300317	0.0750793	0.675714	1.20127
1384	0.00599	0.00171963	0.00299114	0.0747784	0.673006	1.19645
1385	0.00597	0.00171486	0.00297915	0.0744787	0.670309	1.19166
1386	0.00596	0.00171011	0.00296721	0.0741804	0.667623	1.18689
1387	0.00595	0.00170537	0.00295533	0.0738832	0.664949	1.18213
1388	0.00594	0.00170064	0.0029435	0.0735874	0.662287	1.1774
1389	0.00592	0.00169593	0.00293171	0.0732928	0.659635	1.17269
1390	0.00592	0.00169123	0.00291998	0.0729995	0.656996	1.16799
1391	0.0059	0.00168655	0.0029083	0.0727074	0.654367	1.16332
1392	0.00589	0.00168188	0.00289666	0.0724166	0.65175	1.15867
1393	0.00588	0.00167722	0.00288508	0.072127	0.649143	1.15403
1394	0.00587	0.00167257	0.00287355	0.0718387	0.646548	1.14942
1395	0.00586	0.00166794	0.00286206	0.0715516	0.643964	1.14482
1396	0.00585	0.00166333	0.00285063	0.0712657	0.641391	1.14025
1397	0.00583	0.00165872	0.00283924	0.070981	0.638829	1.1357
1398	0.00582	0.00165413	0.0028279	0.0706975	0.636278	1.13116
1399	0.00581	0.00164955	0.00281661	0.0704153	0.633737	1.12664
1400	0.0058	0.00164499	0.00280537	0.0701342	0.631208	1.12215
1401	0.00579	0.00164044	0.00279417	0.0698543	0.628689	1.11767
1402	0.00578	0.0016359	0.00278303	0.0695757	0.626181	1.11321
1403	0.00576	0.00163138	0.00277193	0.0692982	0.623684	1.10877
1404	0.00575	0.00162687	0.00276088	0.0690219	0.621197	1.10435
1405	0.00574	0.00162237	0.00274987	0.0687468	0.618721	1.09995
1406	0.00573	0.00161788	0.00273891	0.0684728	0.616256	1.09557
1407	0.00572	0.00161341	0.002728	0.0682001	0.613801	1.0912
1408	0.00571	0.00160895	0.00271714	0.0679284	0.611356	1.08685
1409	0.00569	0.0016045	0.00270632	0.067658	0.608922	1.08253
1410	0.00569	0.00160007	0.00269555	0.0673887	0.606498	1.07822
1411	0.00567	0.00159565	0.00268482	0.0671205	0.604084	1.07393
1412	0.00566	0.00159124	0.00267414	0.0668535	0.601681	1.06966
1413	0.00565	0.00158684	0.0026635	0.0665876	0.599288	1.0654
1414	0.00564	0.00158246	0.00265291	0.0663228	0.596905	1.06116
1415	0.00563	0.00157809	0.00264237	0.0660592	0.594532	1.05695
1416	0.00562	0.00157374	0.00263187	0.0657966	0.59217	1.05275
1417	0.0056	0.00156939	0.00262141	0.0655352	0.589817	1.04856
1418	0.00559	0.00156506	0.002611	0.065275	0.587475	1.0444
1419	0.00558	0.00156074	0.00260063	0.0650158	0.585142	1.04025
1420	0.00557	0.00155643	0.00259031	0.0647577	0.582819	1.03612
1421	0.00556	0.00155214	0.00258003	0.0645007	0.580506	1.03201
1422	0.00555	0.00154786	0.00256979	0.0642448	0.578203	1.02792
1423	0.00554	0.00154359	0.0025596	0.06399	0.57591	1.02384
1424	0.00553	0.00153933	0.00254945	0.0637363	0.573627	1.01978
1425	0.00551	0.00153508	0.00253935	0.0634836	0.571353	1.01574
1426	0.0055	0.00153085	0.00252928	0.0632321	0.569089	1.01171
1427	0.00549	0.00152663	0.00251926	0.0629816	0.566834	1.0077
1428	0.00548	0.00152242	0.00250928	0.0627321	0.564589	1.00371
1429	0.00547	0.00151823	0.00249935	0.0624837	0.562354	0.99974
1430	0.00546	0.00151404	0.00248946	0.0622364	0.560128	0.995782
1431	0.00545	0.00150987	0.0024796	0.0619901	0.557911	0.991842
1432	0.00544	0.00150571	0.0024698	0.0617449	0.555704	0.987918
1433	0.00542	0.00150156	0.00246003	0.0615007	0.553506	0.984011
1434	0.0054	0.00149743	0.0024503	0.0612575	0.551318	0.98012
1435	0.0054	0.0014933	0.00244062	0.0610154	0.549139	0.976246
1436	0.00539	0.00148919	0.00243097	0.0607743	0.546969	0.972389
1437	0.00538	0.00148509	0.00242137	0.0605342	0.544808	0.968547
1438	0.00537	0.001481	0.00241181	0.0602951	0.542656	0.964722
1439	0.00536	0.00147693	0.00240228	0.0600571	0.540514	0.960913
1440	0.00535	0.00147286	0.0023928	0.05982	0.53838	0.957121
1441	0.00534	0.00146881	0.00238336	0.059584	0.536256	0.953344
1442	0.00533	0.00146477	0.00237396	0.059349	0.534141	0.949583
1443	0.00531	0.00146074	0.0023646	0.0591149	0.532034	0.945839
1444	0.00531	0.00145672	0.00235527	0.0588819	0.529937	0.94211
1445	0.00529	0.00145272	0.00234599	0.0586498	0.527848	0.938397
1446	0.00528	0.00144872	0.00233675	0.0584187	0.525768	0.934699
1447	0.00527	0.00144474	0.00232754	0.0581886	0.523697	0.931018
1448	0.00526	0.00144077	0.00231838	0.0579595	0.521635	0.927351
1449	0.00525	0.00143681	0.00230925	0.0577313	0.519582	0.923701
1450	0.00524	0.00143286	0.00230016	0.0575041	0.517537	0.920065
1451	0.00523	0.00142893	0.00229111	0.0572779	0.515501	0.916446
1452	0.00522	0.001425	0.0022821	0.0570526	0.513473	0.912841

1453	0.00521	0.00142109	0.00227313	0.0568282	0.511454	0.909252
1454	0.0052	0.00141719	0.00226419	0.0566049	0.509444	0.905678
1455	0.00518	0.00141329	0.0022553	0.0563824	0.507442	0.902119
1456	0.00516	0.00140941	0.00224644	0.0561609	0.505448	0.898575
1457	0.00516	0.00140555	0.00223761	0.0559404	0.503463	0.895046
1458	0.00515	0.00140169	0.00222883	0.0557207	0.501486	0.891532
1459	0.00514	0.00139784	0.00222008	0.055502	0.499518	0.888032
1460	0.00513	0.00139401	0.00221137	0.0552842	0.497558	0.884548
1461	0.00512	0.00139018	0.00220269	0.0550674	0.495606	0.881078
1462	0.00511	0.00138637	0.00219406	0.0548514	0.493663	0.877623
1463	0.0051	0.00138257	0.00218546	0.0546364	0.491727	0.874182
1464	0.00509	0.00137878	0.00217689	0.0544223	0.4898	0.870756
1465	0.00508	0.001375	0.00216836	0.054209	0.487881	0.867345
1466	0.00507	0.00137123	0.00215987	0.0539967	0.48597	0.863947
1467	0.00505	0.00136747	0.00215141	0.0537853	0.484067	0.860564
1468	0.00505	0.00136372	0.00214299	0.0535747	0.482173	0.857196
1469	0.00503	0.00135999	0.0021346	0.0533651	0.480286	0.853841
1470	0.00503	0.00135626	0.00212625	0.0531563	0.478407	0.850501
1471	0.00501	0.00135255	0.00211794	0.0529484	0.476536	0.847175
1472	0.005	0.00134884	0.00210966	0.0527414	0.474673	0.843863
1473	0.00499	0.00134515	0.00210141	0.0525353	0.472817	0.840564
1474	0.00498	0.00134147	0.0020932	0.05233	0.47097	0.83728
1475	0.00497	0.0013378	0.00208502	0.0521256	0.46913	0.834009
1476	0.00496	0.00133413	0.00207688	0.051922	0.467298	0.830753
1477	0.00495	0.00133048	0.00206877	0.0517193	0.465474	0.82751
1478	0.00494	0.00132684	0.0020607	0.0515175	0.463658	0.82428
1479	0.00493	0.00132321	0.00205266	0.0513165	0.461849	0.821064
1480	0.00492	0.0013196	0.00204466	0.0511164	0.460047	0.817862
1481	0.00491	0.00131599	0.00203668	0.0509171	0.458254	0.814673
1482	0.0049	0.00131239	0.00202874	0.0507186	0.456467	0.811498
1483	0.00489	0.0013088	0.00202084	0.050521	0.454689	0.808336
1484	0.00488	0.00130522	0.00201297	0.0503242	0.452918	0.805187
1485	0.00487	0.00130166	0.00200513	0.0501282	0.451154	0.802051
1486	0.00486	0.0012981	0.00199732	0.0499331	0.449398	0.798929
1487	0.00484	0.00129456	0.00198955	0.0497387	0.447649	0.79582
1488	0.00484	0.00129102	0.00198181	0.0495452	0.445907	0.792723
1489	0.00482	0.00128749	0.0019741	0.0493525	0.444173	0.78964
1490	0.00482	0.00128398	0.00196642	0.0491606	0.442446	0.78657
1491	0.0048	0.00128047	0.00195878	0.0489695	0.440726	0.783513
1492	0.0048	0.00127698	0.00195117	0.0487793	0.439013	0.780468
1493	0.00478	0.00127349	0.00194359	0.0485898	0.437308	0.777436
1494	0.00477	0.00127002	0.00193604	0.0484011	0.43561	0.774417
1495	0.00476	0.00126655	0.00192853	0.0482132	0.433919	0.771411
1496	0.00475	0.0012631	0.00192104	0.0480261	0.432235	0.768417
1497	0.00474	0.00125965	0.00191359	0.0478397	0.430558	0.765436
1498	0.00473	0.00125622	0.00190617	0.0476542	0.428888	0.762467
1499	0.00472	0.00125279	0.00189878	0.0474694	0.427225	0.759511
1500	0.00471	0.00124938	0.00189142	0.0472854	0.425569	0.756567
1501	0.0047	0.00124597	0.00188409	0.0471022	0.42392	0.753635
1502	0.00469	0.00124258	0.00187679	0.0469198	0.422278	0.750716
1503	0.00468	0.00123919	0.00186952	0.0467381	0.420643	0.747809
1504	0.00467	0.00123582	0.00186229	0.0465571	0.419014	0.744914
1505	0.00466	0.00123245	0.00185508	0.046377	0.417393	0.742031
1506	0.00465	0.0012291	0.0018479	0.0461975	0.415778	0.739161
1507	0.00464	0.00122575	0.00184075	0.0460189	0.41417	0.736302
1508	0.00463	0.00122241	0.00183364	0.0458409	0.412569	0.733455
1509	0.00462	0.00121909	0.00182655	0.0456638	0.410974	0.73062
1510	0.00461	0.00121577	0.00181949	0.0454873	0.409386	0.727797
1511	0.0046	0.00121246	0.00181247	0.0453116	0.407805	0.724986
1512	0.00459	0.00120916	0.00180547	0.0451367	0.40623	0.722187
1513	0.00458	0.00120588	0.0017985	0.0449624	0.404662	0.719399
1514	0.00457	0.0012026	0.00179156	0.0447889	0.4031	0.716623
1515	0.00456	0.00119933	0.00178465	0.0446161	0.401545	0.713858
1516	0.00455	0.00119607	0.00177776	0.0444441	0.399997	0.711105
1517	0.00454	0.00119282	0.00177091	0.0442727	0.398455	0.708364
1518	0.00453	0.00118958	0.00176408	0.0441021	0.396919	0.705634
1519	0.00452	0.00118634	0.00175729	0.0439322	0.39539	0.702915
1520	0.00451	0.00118312	0.00175052	0.043763	0.393867	0.700208
1521	0.0045	0.00117991	0.00174378	0.0435945	0.392351	0.697512
1522	0.00449	0.0011767	0.00173707	0.0434267	0.39084	0.694827
1523	0.00448	0.00117351	0.00173038	0.0432596	0.389336	0.692154
1524	0.00447	0.00117032	0.00172373	0.0430932	0.387839	0.689491
1525	0.00446	0.00116715	0.0017171	0.0429275	0.386348	0.68684
1526	0.00445	0.00116398	0.0017105	0.0427625	0.384862	0.6842
1527	0.00444	0.00116082	0.00170393	0.0425982	0.383383	0.68157
1528	0.00443	0.00115767	0.00169738	0.0424345	0.381911	0.678952
1529	0.00442	0.00115454	0.00169086	0.0422715	0.380444	0.676345
1530	0.00441	0.0011514	0.00168437	0.0421093	0.378983	0.673748
1531	0.0044	0.00114828	0.00167791	0.0419477	0.377529	0.671162
1532	0.00439	0.00114517	0.00167147	0.0417867	0.37608	0.668588
1533	0.00438	0.00114207	0.00166506	0.0416265	0.374638	0.666023
1534	0.00437	0.00113897	0.00165867	0.0414669	0.373202	0.66347
1535	0.00436	0.00113589	0.00165232	0.0413079	0.371771	0.660927
1536	0.00435	0.00113281	0.00164599	0.0411496	0.370347	0.658394
1537	0.00434	0.00112974	0.00163968	0.040992	0.368928	0.655872
1538	0.00433	0.00112669	0.00163334	0.0408351	0.367516	0.653361
1539	0.00432	0.00112364	0.00162715	0.0406788	0.366109	0.65086
1540	0.00431	0.00112059	0.00162092	0.0405231	0.364708	0.648369
1541	0.0043	0.00111756	0.00161472	0.0403681	0.363313	0.645889
1542	0.00429	0.00111454	0.00160855	0.0402137	0.361923	0.643419
1543	0.00428	0.00111152	0.0016024	0.04006	0.36054	0.64096
1544	0.00427	0.00110852	0.00159628	0.0399069	0.359162	0.63851
1545	0.00426	0.00110552	0.00159018	0.0397544	0.35779	0.636071
1546	0.00426	0.00110253	0.0015841	0.0396026	0.356423	0.633642
1547	0.00424	0.00109955	0.00157806	0.0394514	0.355063	0.631222

1548	0.00424	0.00109658	0.00157203	0.0393008	0.353708	0.628813
1549	0.00422	0.00109362	0.00156604	0.0391509	0.352358	0.626414
1550	0.00422	0.00109066	0.00156006	0.0390016	0.351014	0.624025
1551	0.0042	0.00108772	0.00155411	0.0388529	0.349676	0.621646
1552	0.0042	0.00108478	0.00154819	0.0387048	0.348343	0.619277
1553	0.00418	0.00108185	0.00154229	0.0385573	0.347016	0.616917
1554	0.00418	0.00107893	0.00153642	0.0384104	0.345694	0.614567
1555	0.00417	0.00107602	0.00153057	0.0382642	0.344378	0.612227
1556	0.00416	0.00107312	0.00152474	0.0381185	0.343067	0.609897
1557	0.00415	0.00107022	0.00151894	0.0379735	0.341761	0.607576
1558	0.00414	0.00106733	0.00151316	0.037829	0.340461	0.605265
1559	0.00413	0.00106446	0.00150741	0.0376852	0.339167	0.602963
1560	0.00412	0.00106159	0.00150168	0.0375419	0.337877	0.600671
1561	0.00411	0.00105872	0.00149597	0.0373993	0.336593	0.598388
1562	0.0041	0.00105587	0.00149029	0.0372572	0.335315	0.596115
1563	0.00409	0.00105303	0.00148463	0.0371157	0.334041	0.593851
1564	0.00408	0.00105019	0.00147899	0.0369748	0.332773	0.591597
1565	0.00407	0.00104736	0.00147338	0.0368345	0.33151	0.589352
1566	0.00406	0.00104454	0.00146779	0.0366948	0.330253	0.587116
1567	0.00405	0.00104173	0.00146222	0.0365556	0.329	0.584889
1568	0.00404	0.00103892	0.00145668	0.036417	0.327753	0.582672
1569	0.00403	0.00103613	0.00145116	0.036279	0.326511	0.580464
1570	0.00403	0.00103334	0.00144566	0.0361415	0.325274	0.578265
1571	0.00401	0.00103056	0.00144019	0.0360046	0.324042	0.576074
1572	0.00401	0.00102779	0.00143473	0.0358683	0.322815	0.573893
1573	0.00399	0.00102502	0.0014293	0.0357326	0.321593	0.571721
1574	0.00399	0.00102227	0.0014239	0.0355974	0.320376	0.569558
1575	0.00398	0.00101952	0.00141851	0.0354627	0.319165	0.567404
1576	0.00397	0.00101678	0.00141315	0.0353287	0.317958	0.565259
1577	0.00396	0.00101405	0.0014078	0.0351951	0.316756	0.563122
1578	0.00395	0.00101132	0.00140249	0.0350621	0.315559	0.560994
1579	0.00394	0.0010086	0.00139719	0.0349297	0.314367	0.558875
1580	0.00393	0.0010059	0.00139191	0.0347978	0.31318	0.556765
1581	0.00392	0.00100319	0.00138666	0.0346665	0.311998	0.554663
1582	0.00391	0.0010005	0.00138143	0.0345357	0.310821	0.552571
1583	0.0039	0.000997816	0.00137622	0.0344054	0.309649	0.550486
1584	0.00389	0.000995139	0.00137103	0.0342757	0.308481	0.548411
1585	0.00388	0.000992469	0.00136586	0.0341465	0.307318	0.546343
1586	0.00388	0.000989807	0.00136071	0.0340178	0.30616	0.544285
1587	0.00386	0.000987152	0.00135559	0.0338896	0.305007	0.542234
1588	0.00386	0.000984505	0.00135048	0.033762	0.303858	0.540192
1589	0.00385	0.000981866	0.0013454	0.0336349	0.302714	0.538159
1590	0.00384	0.000979234	0.00134033	0.0335084	0.301575	0.536134
1591	0.00383	0.00097661	0.00133529	0.0333823	0.300441	0.534117
1592	0.00382	0.000973994	0.00133027	0.0332568	0.299311	0.532109
1593	0.00381	0.000971385	0.00132527	0.0331318	0.298186	0.530108
1594	0.0038	0.000968784	0.00132029	0.0330073	0.297065	0.528116
1595	0.00379	0.00096619	0.00131533	0.0328833	0.295949	0.526132
1596	0.00378	0.000963603	0.00131039	0.0327598	0.294838	0.524156
1597	0.00377	0.000961024	0.00130547	0.0326368	0.293731	0.522189
1598	0.00377	0.000958453	0.00130057	0.0325143	0.292629	0.520229
1599	0.00375	0.000955889	0.00129569	0.0323923	0.291531	0.518277
1600	0.00375	0.000953332	0.00129083	0.0322709	0.290438	0.516334
1601	0.00374	0.000950783	0.001286	0.0321499	0.289349	0.514398
1602	0.00373	0.000948241	0.00128118	0.0320294	0.288265	0.51247
1603	0.00372	0.000945706	0.00127638	0.0319094	0.287185	0.51055
1604	0.00371	0.000943178	0.0012716	0.0317899	0.286109	0.508638
1605	0.0037	0.000940658	0.00126684	0.0316709	0.285038	0.506734
1606	0.00369	0.000938145	0.00126209	0.0315524	0.283971	0.504838
1607	0.00368	0.00093564	0.00125737	0.0314343	0.282909	0.502949
1608	0.00367	0.000933141	0.00125267	0.0313168	0.281851	0.501068
1609	0.00366	0.00093065	0.00124799	0.0311997	0.280797	0.499195
1610	0.00366	0.000928166	0.00124332	0.0310831	0.279748	0.497329
1611	0.00364	0.000925689	0.00123868	0.030967	0.278703	0.495471
1612	0.00364	0.000923219	0.00123405	0.0308513	0.277662	0.493621
1613	0.00363	0.000920757	0.00122945	0.0307361	0.276625	0.491778
1614	0.00362	0.000918301	0.00122486	0.0306214	0.275593	0.489943
1615	0.00361	0.000915853	0.00122029	0.0305072	0.274565	0.488115
1616	0.0036	0.000913411	0.00121574	0.0303934	0.273541	0.486294
1617	0.00359	0.000910977	0.0012112	0.0302801	0.272521	0.484481
1618	0.00359	0.000908549	0.00120669	0.0301672	0.271505	0.482676
1619	0.00357	0.000906129	0.00120219	0.0300549	0.270494	0.480878
1620	0.00357	0.000903715	0.00119772	0.0299429	0.269486	0.479087
1621	0.00356	0.000901309	0.00119326	0.0298314	0.268483	0.477303
1622	0.00355	0.000898909	0.00118882	0.0297204	0.267484	0.475527
1623	0.00354	0.000896516	0.00118439	0.0296098	0.266489	0.473758
1624	0.00353	0.000894131	0.00117999	0.0294997	0.265498	0.471996
1625	0.00352	0.000891752	0.0011756	0.0293901	0.26451	0.470241
1626	0.00351	0.000889379	0.00117123	0.0292808	0.263527	0.468493
1627	0.0035	0.000887014	0.00116688	0.029172	0.262548	0.466753
1628	0.0035	0.000884656	0.00116255	0.0290637	0.261573	0.465019
1629	0.00348	0.000882304	0.00115823	0.0289558	0.260602	0.463293
1630	0.00348	0.000879959	0.00115393	0.0288483	0.259635	0.461573
1631	0.00347	0.00087762	0.00114965	0.0287413	0.258672	0.459861
1632	0.00346	0.000875289	0.00114539	0.0286347	0.257712	0.458155
1633	0.00345	0.000872964	0.00114114	0.0285286	0.256757	0.456457
1634	0.00344	0.000870646	0.00113691	0.0284228	0.255805	0.454765
1635	0.00343	0.000868334	0.0011327	0.0283175	0.254858	0.45308
1636	0.00343	0.00086603	0.00112851	0.0282127	0.253914	0.451402
1637	0.00341	0.000863731	0.00112433	0.0281082	0.252974	0.449731
1638	0.00341	0.00086144	0.00112017	0.0280042	0.252038	0.448067
1639	0.0034	0.000859155	0.00111602	0.0279006	0.251105	0.446409
1640	0.00339	0.000856876	0.0011119	0.0277974	0.250177	0.444758
1641	0.00338	0.000854604	0.00110779	0.0276946	0.249252	0.443114
1642	0.00337	0.000852339	0.00110369	0.0275923	0.248331	0.441476

1643	0.00336	0.00085008	0.00109961	0.0274903	0.247413	0.439846
1644	0.00336	0.000847827	0.00109555	0.0273888	0.246499	0.438221
1645	0.00334	0.000845581	0.00109151	0.0272877	0.245589	0.436603
1646	0.00334	0.000843342	0.00108748	0.027187	0.244683	0.434992
1647	0.00333	0.000841108	0.00108347	0.0270867	0.24378	0.433387
1648	0.00332	0.000838882	0.00107947	0.0269868	0.242881	0.431789
1649	0.00331	0.000836661	0.00107549	0.0268873	0.241986	0.430197
1650	0.0033	0.000834447	0.00107153	0.0267882	0.241094	0.428612
1651	0.00329	0.00083224	0.00106758	0.0266896	0.240206	0.427033
1652	0.00329	0.000830038	0.00106365	0.0265913	0.239322	0.42546
1653	0.00327	0.000827843	0.00105974	0.0264934	0.23844	0.423894
1654	0.00327	0.000825655	0.00105584	0.0263959	0.237563	0.422334
1655	0.00326	0.000823472	0.00105195	0.0262988	0.236689	0.420781
1656	0.00325	0.000821296	0.00104808	0.0262021	0.235819	0.419233
1657	0.00324	0.000819126	0.00104423	0.0261058	0.234952	0.417692
1658	0.00323	0.000816963	0.00104039	0.0260098	0.234088	0.416157
1659	0.00322	0.000814805	0.00103657	0.0259143	0.233229	0.414629
1660	0.00322	0.000812654	0.00103277	0.0258191	0.232372	0.413106
1661	0.00321	0.000810508	0.00102897	0.0257243	0.231519	0.41159
1662	0.0032	0.000808369	0.0010252	0.02563	0.23067	0.410079
1663	0.00319	0.000806237	0.00102144	0.0255359	0.229823	0.408575
1664	0.00318	0.00080411	0.00101769	0.0254423	0.228981	0.407077
1665	0.00317	0.000801989	0.00101396	0.025349	0.228141	0.405585
1666	0.00317	0.000799874	0.00101025	0.0252562	0.227305	0.404098
1667	0.00315	0.000797766	0.00100655	0.0251636	0.226473	0.402618
1668	0.00315	0.000795663	0.00100286	0.0250715	0.225644	0.401144
1669	0.00314	0.000793567	0.000999189	0.0249797	0.224818	0.399676
1670	0.00313	0.000791476	0.000995533	0.0248883	0.223995	0.398213
1671	0.00312	0.000789392	0.000991892	0.0247973	0.223176	0.396757
1672	0.00312	0.000787313	0.000988265	0.0247066	0.22236	0.395306
1673	0.0031	0.00078524	0.000984653	0.0246163	0.221547	0.393861
1674	0.0031	0.000783174	0.000981055	0.0245264	0.220737	0.392422
1675	0.00309	0.000781113	0.000977472	0.0244368	0.219931	0.390989
1676	0.00308	0.000779058	0.000973903	0.0243476	0.219128	0.389561
1677	0.00307	0.000777009	0.000970349	0.0242587	0.218328	0.388139
1678	0.00306	0.000774966	0.000966808	0.0241702	0.217532	0.386723
1679	0.00305	0.000772929	0.000963282	0.0240821	0.216738	0.385313
1680	0.00305	0.000770897	0.00095977	0.0239943	0.215948	0.383908
1681	0.00304	0.000768871	0.000956272	0.0239068	0.215161	0.382509
1682	0.00303	0.000766851	0.000952788	0.0238197	0.214377	0.381115
1683	0.00302	0.000764837	0.000949318	0.023733	0.213597	0.379727
1684	0.00301	0.000762829	0.000945862	0.0236465	0.212819	0.378345
1685	0.003	0.000760826	0.00094242	0.0235605	0.212044	0.376968
1686	0.003	0.000758829	0.000938991	0.0234748	0.211273	0.375596
1687	0.00299	0.000756838	0.000935576	0.0233894	0.210505	0.374231
1688	0.00298	0.000754853	0.000932175	0.0233044	0.209739	0.37287
1689	0.00297	0.000752873	0.000928788	0.0232197	0.208977	0.371515
1690	0.00296	0.000750898	0.000925413	0.0231353	0.208218	0.370165
1691	0.00295	0.00074893	0.000922053	0.0230513	0.207462	0.368821
1692	0.00295	0.000746967	0.000918706	0.0229676	0.206709	0.367482
1693	0.00294	0.00074501	0.000915372	0.0228843	0.205959	0.366149
1694	0.00293	0.000743058	0.000912051	0.0228013	0.205212	0.364821
1695	0.00292	0.000741112	0.000908744	0.0227186	0.204467	0.363498
1696	0.00291	0.000739171	0.000905451	0.0226362	0.203726	0.36218
1697	0.0029	0.000737236	0.000902169	0.0225542	0.202988	0.360868
1698	0.0029	0.000735306	0.000898901	0.0224725	0.202253	0.35956
1699	0.00289	0.000733382	0.000895646	0.0223912	0.20152	0.358258
1700	0.00288	0.000731464	0.000892404	0.0223101	0.200791	0.356962
1701	0.00287	0.00072955	0.000889175	0.0222294	0.200064	0.35567
1702	0.00287	0.000727643	0.000885959	0.022149	0.199341	0.354384
1703	0.00285	0.00072574	0.000882756	0.0220689	0.19862	0.353102
1704	0.00285	0.000723844	0.000879565	0.0219891	0.197902	0.351826
1705	0.00284	0.000721952	0.000876387	0.0219097	0.197187	0.350555
1706	0.00283	0.000720066	0.000873222	0.0218305	0.196475	0.349289
1707	0.00282	0.000718185	0.000870069	0.0217517	0.195766	0.348028
1708	0.00282	0.00071631	0.000866929	0.0216732	0.195059	0.346772
1709	0.0028	0.00071444	0.000863801	0.021595	0.194355	0.34552
1710	0.0028	0.000712576	0.000860686	0.0215171	0.193654	0.344274
1711	0.00279	0.000710716	0.000857583	0.0214396	0.192956	0.343033
1712	0.00278	0.000708862	0.000854492	0.0213623	0.192261	0.341797
1713	0.00277	0.000707013	0.000851414	0.0212854	0.191568	0.340566
1714	0.00277	0.00070517	0.000848348	0.0212087	0.190878	0.339339
1715	0.00276	0.000703332	0.000845294	0.0211323	0.190191	0.338118
1716	0.00275	0.000701499	0.000842252	0.0210563	0.189507	0.336901
1717	0.00274	0.000699671	0.000839222	0.0209806	0.188825	0.335689
1718	0.00273	0.000697848	0.000836204	0.0209051	0.188146	0.334482
1719	0.00272	0.000696031	0.000833198	0.02083	0.18747	0.333279
1720	0.00272	0.000694219	0.000830204	0.0207551	0.186796	0.332082
1721	0.00271	0.000692411	0.000827222	0.0206806	0.186125	0.330889
1722	0.0027	0.00069061	0.000824252	0.0206063	0.185457	0.329701
1723	0.00269	0.000688813	0.000821293	0.0205323	0.184791	0.328517
1724	0.00269	0.000687021	0.000818347	0.0204587	0.184128	0.327339
1725	0.00267	0.000685234	0.000815411	0.0203853	0.183468	0.326165
1726	0.00267	0.000683453	0.000812488	0.0203122	0.18281	0.324995
1727	0.00266	0.000681676	0.000809576	0.0202394	0.182154	0.32383
1728	0.00265	0.000679905	0.000806675	0.0201669	0.181502	0.32267
1729	0.00264	0.000678138	0.000803786	0.0200946	0.180852	0.321514
1730	0.00264	0.000676377	0.000800908	0.0200227	0.180204	0.320363
1731	0.00263	0.000674621	0.000798042	0.019951	0.179559	0.319217
1732	0.00262	0.000672869	0.000795187	0.0198797	0.178917	0.318075
1733	0.00261	0.000671123	0.000792343	0.0198086	0.178277	0.316937
1734	0.00261	0.000669381	0.00078951	0.0197378	0.17764	0.315804
1735	0.00259	0.000667645	0.000786689	0.0196672	0.177005	0.314676
1736	0.00259	0.000665913	0.000783878	0.019597	0.176373	0.313551
1737	0.00258	0.000664186	0.000781079	0.019527	0.175743	0.312432

1738	0.00257	0.000662465	0.000778291	0.0194573	0.175115	0.311316
1739	0.00256	0.000660748	0.000775514	0.0193878	0.174491	0.310205
1740	0.00256	0.000659036	0.000772747	0.0193187	0.173868	0.309099
1741	0.00255	0.000657328	0.000769992	0.0192498	0.173248	0.307997
1742	0.00254	0.000655626	0.000767247	0.0191812	0.172631	0.306899
1743	0.00253	0.000653928	0.000764513	0.0191128	0.172016	0.305805
1744	0.00253	0.000652236	0.00076179	0.0190448	0.171403	0.304716
1745	0.00251	0.000650548	0.000759078	0.018977	0.170793	0.303631
1746	0.00251	0.000648865	0.000756376	0.0189094	0.170185	0.302551
1747	0.0025	0.000647186	0.000753685	0.0188421	0.169579	0.301474
1748	0.00249	0.000645513	0.000751005	0.0187751	0.168976	0.300402
1749	0.00248	0.000643844	0.000748333	0.0187084	0.168375	0.299334
1750	0.00248	0.00064218	0.000745675	0.0186419	0.167777	0.29827
1751	0.00247	0.00064052	0.000743026	0.0185756	0.167181	0.29721
1752	0.00246	0.000638866	0.000740387	0.0185097	0.166587	0.296155
1753	0.00245	0.000637216	0.000737759	0.018444	0.165996	0.295103
1754	0.00245	0.00063557	0.000735141	0.0183785	0.165407	0.294056
1755	0.00244	0.000633929	0.000732533	0.0183133	0.16482	0.293013
1756	0.00243	0.000632293	0.000729935	0.0182484	0.164235	0.291974
1757	0.00242	0.000630662	0.000727348	0.0181837	0.163653	0.290939
1758	0.00242	0.000629035	0.00072477	0.0181193	0.163073	0.289908
1759	0.0024	0.000627413	0.000722203	0.0180551	0.162496	0.288881
1760	0.0024	0.000625795	0.000719646	0.0179911	0.16192	0.287858
1761	0.00239	0.000624182	0.000717099	0.0179275	0.161347	0.286839
1762	0.00238	0.000622574	0.000714561	0.017864	0.160776	0.285825
1763	0.00237	0.00062097	0.000712034	0.0178009	0.160208	0.284814
1764	0.00237	0.00061937	0.000709517	0.0177379	0.159641	0.283807
1765	0.00236	0.000617775	0.000707009	0.0176752	0.159077	0.282804
1766	0.00235	0.000616185	0.000704511	0.0176128	0.158515	0.281804
1767	0.00234	0.000614599	0.000702023	0.0175506	0.157955	0.280809
1768	0.00234	0.000613017	0.000699545	0.0174886	0.157398	0.279818
1769	0.00232	0.00061144	0.000697076	0.0174269	0.156842	0.27883
1770	0.00232	0.000609868	0.000694617	0.0173654	0.156289	0.277847
1771	0.00231	0.0006083	0.000692167	0.0173042	0.155738	0.276867
1772	0.00231	0.000606736	0.000689727	0.0172432	0.155189	0.275891
1773	0.00229	0.000605177	0.000687297	0.0171824	0.154642	0.274919
1774	0.00229	0.000603622	0.000684876	0.0171219	0.154097	0.27395
1775	0.00228	0.000602072	0.000682464	0.0170616	0.153554	0.272986
1776	0.00227	0.000600526	0.000680062	0.0170015	0.153014	0.272025
1777	0.00226	0.000598984	0.000677669	0.0169417	0.152476	0.271068
1778	0.00226	0.000597447	0.000675285	0.0168821	0.151939	0.270114
1779	0.00225	0.000595913	0.000672911	0.0168228	0.151405	0.269164
1780	0.00224	0.000594385	0.000670546	0.0167637	0.150873	0.268218
1781	0.00223	0.00059286	0.00066819	0.0167048	0.150343	0.267276
1782	0.00223	0.00059134	0.000665843	0.0166461	0.149815	0.266337
1783	0.00222	0.000589824	0.000663506	0.0165876	0.149289	0.265402
1784	0.00221	0.000588313	0.000661177	0.0165294	0.148765	0.264471
1785	0.0022	0.000586806	0.000658858	0.0164714	0.148243	0.263543
1786	0.0022	0.000585303	0.000656547	0.0164137	0.147723	0.262619
1787	0.00218	0.000583804	0.000654246	0.0163561	0.147205	0.261698
1788	0.00218	0.000582309	0.000651953	0.0162988	0.146689	0.260781
1789	0.00217	0.000580819	0.000649669	0.0162417	0.146176	0.259868
1790	0.00217	0.000579333	0.000647394	0.0161849	0.145664	0.258958
1791	0.00215	0.00057785	0.000645128	0.0161282	0.145154	0.258051
1792	0.00215	0.000576373	0.000642871	0.0160718	0.144646	0.257148
1793	0.00214	0.000574899	0.000640622	0.0160156	0.14414	0.256249
1794	0.00213	0.000573429	0.000638383	0.0159596	0.143636	0.255353
1795	0.00212	0.000571964	0.000636151	0.0159038	0.143134	0.254461
1796	0.00212	0.000570503	0.000633929	0.0158482	0.142634	0.253572
1797	0.00211	0.000569046	0.000631715	0.0157929	0.142136	0.252686
1798	0.0021	0.000567592	0.000629509	0.0157377	0.14164	0.251804
1799	0.00209	0.000566143	0.000627313	0.0156828	0.141145	0.250925
1800	0.00209	0.000564699	0.000625124	0.0156281	0.140653	0.25005
1801	0.00208	0.000563258	0.000622944	0.0155736	0.140162	0.249178
1802	0.00207	0.000561821	0.000620773	0.0155193	0.139674	0.248309
1803	0.00206	0.000560388	0.000618609	0.0154652	0.139187	0.247444
1804	0.00206	0.000558959	0.000616455	0.0154114	0.138702	0.246582
1805	0.00205	0.000557535	0.000614308	0.0153577	0.138219	0.245723
1806	0.00204	0.000556114	0.00061217	0.0153042	0.137738	0.244868
1807	0.00203	0.000554697	0.00061004	0.015251	0.137259	0.244016
1808	0.00203	0.000553284	0.000607918	0.0151979	0.136782	0.243167
1809	0.00201	0.000551875	0.000605804	0.0151451	0.136306	0.242322
1810	0.00201	0.000550471	0.000603699	0.0150925	0.135832	0.24148
1811	0.002	0.00054907	0.000601601	0.01504	0.13536	0.240641
1812	0.002	0.000547673	0.000599512	0.0149878	0.13489	0.239805
1813	0.00198	0.00054628	0.000597431	0.0149358	0.134422	0.238972
1814	0.00198	0.00054489	0.000595357	0.0148839	0.133955	0.238143
1815	0.00197	0.000543505	0.000593292	0.0148323	0.133491	0.237317
1816	0.00197	0.000542124	0.000591235	0.0147809	0.133028	0.236494
1817	0.00195	0.000540746	0.000589185	0.0147296	0.132567	0.235674
1818	0.00195	0.000539373	0.000587144	0.0146786	0.132107	0.234857
1819	0.00194	0.000538003	0.00058511	0.0146277	0.13165	0.234044
1820	0.00193	0.000536637	0.000583084	0.0145771	0.131194	0.233234
1821	0.00192	0.000535275	0.000581066	0.0145266	0.13074	0.232426
1822	0.00192	0.000533916	0.000579055	0.0144764	0.130287	0.231622
1823	0.00191	0.000532562	0.000577052	0.0144263	0.129837	0.230821
1824	0.0019	0.000531211	0.000575057	0.0143764	0.129388	0.230023
1825	0.00189	0.000529864	0.00057307	0.0143267	0.128941	0.229228
1826	0.00189	0.000528521	0.000571109	0.0142773	0.128495	0.228436
1827	0.00188	0.000527181	0.000569118	0.0142279	0.128052	0.227647
1828	0.00187	0.000525846	0.000567153	0.0141788	0.127609	0.226861
1829	0.00186	0.000524514	0.000565196	0.0141299	0.127169	0.226078
1830	0.00186	0.000523185	0.000563246	0.0140812	0.12673	0.225299
1831	0.00185	0.000521861	0.000561304	0.0140326	0.126293	0.224522
1832	0.00184	0.00052054	0.000559369	0.0139842	0.125858	0.223748

1833	0.00183	0.000519223	0.000557442	0.013936	0.125424	0.222977
1834	0.00183	0.000517909	0.000555522	0.013888	0.124992	0.222209
1835	0.00182	0.0005166	0.000553609	0.0138402	0.124562	0.221444
1836	0.00181	0.000515294	0.000551704	0.0137926	0.124133	0.220681
1837	0.0018	0.000513991	0.000549805	0.0137451	0.123706	0.219922
1838	0.0018	0.000512692	0.000547915	0.0136979	0.123281	0.219166
1839	0.00178	0.000511397	0.000546031	0.0136508	0.122857	0.218412
1840	0.00178	0.000510105	0.000544154	0.0136039	0.122435	0.217662
1841	0.00177	0.000508817	0.000542285	0.0135571	0.122014	0.216914
1842	0.00177	0.000507533	0.000540423	0.0135106	0.121595	0.216169
1843	0.00175	0.000506252	0.000538568	0.0134642	0.121178	0.215427
1844	0.00175	0.000504975	0.000536719	0.013418	0.120762	0.214688
1845	0.00174	0.000503701	0.000534878	0.013372	0.120348	0.213951
1846	0.00174	0.000502431	0.000533044	0.0133261	0.119935	0.213218
1847	0.00172	0.000501165	0.000531217	0.0132804	0.119524	0.212487
1848	0.00172	0.000499902	0.000529397	0.0132349	0.119114	0.211759
1849	0.00171	0.000498642	0.000527584	0.0131896	0.118706	0.211034
1850	0.0017	0.000497386	0.000525778	0.0131444	0.1183	0.210311
1851	0.00169	0.000496133	0.000523978	0.0130995	0.117895	0.209591
1852	0.00169	0.000494884	0.000522186	0.0130546	0.117492	0.208874
1853	0.00168	0.000493639	0.0005204	0.01301	0.11709	0.20816
1854	0.00167	0.000492397	0.000518621	0.0129655	0.11669	0.207448
1855	0.00166	0.000491158	0.000516848	0.0129212	0.116291	0.206739
1856	0.00166	0.000489923	0.000515083	0.0128771	0.115894	0.206033
1857	0.00165	0.000488691	0.000513324	0.0128331	0.115498	0.20533
1858	0.00164	0.000487463	0.000511572	0.0127893	0.115104	0.204629
1859	0.00163	0.000486238	0.000509826	0.0127457	0.114711	0.203931
1860	0.00163	0.000485016	0.000508087	0.0127022	0.11432	0.203235
1861	0.00161	0.000483798	0.000506355	0.0126589	0.11393	0.202542
1862	0.00161	0.000482584	0.000504629	0.0126157	0.113542	0.201852
1863	0.0016	0.000481372	0.00050291	0.0125727	0.113155	0.201164
1864	0.0016	0.000480164	0.000501197	0.0125299	0.112769	0.200479
1865	0.00158	0.000478959	0.000499491	0.0124873	0.112385	0.199796
1866	0.00158	0.000477758	0.000497791	0.0124448	0.112003	0.199116
1867	0.00157	0.000476566	0.000496098	0.0124024	0.111622	0.198439
1868	0.00157	0.000475366	0.000494411	0.0123603	0.111242	0.197764
1869	0.00155	0.000474174	0.00049273	0.0123182	0.110864	0.197092
1870	0.00155	0.000472986	0.000491056	0.0122764	0.110488	0.196422
1871	0.00154	0.000471802	0.000489388	0.0122347	0.110112	0.195755
1872	0.00153	0.00047062	0.000487726	0.0121931	0.109738	0.19509
1873	0.00152	0.000469442	0.00048607	0.0121518	0.109366	0.194428
1874	0.00152	0.000468267	0.000484421	0.0121105	0.108995	0.193769
1875	0.00151	0.000467096	0.000482778	0.0120695	0.108625	0.193111
1876	0.0015	0.000465927	0.000481142	0.0120285	0.108257	0.192457
1877	0.00149	0.000464762	0.000479511	0.0119878	0.10789	0.191804
1878	0.00149	0.0004636	0.000477886	0.0119472	0.107524	0.191155
1879	0.00147	0.000462442	0.000476268	0.0119067	0.10716	0.190507
1880	0.00147	0.000461286	0.000474656	0.0118664	0.106798	0.189862
1881	0.00146	0.000460134	0.00047305	0.0118262	0.106436	0.18922
1882	0.00146	0.000458985	0.000471449	0.0117862	0.106076	0.18858
1883	0.00144	0.000457839	0.000469855	0.0117464	0.105717	0.187942
1884	0.00144	0.000456696	0.000468267	0.0117067	0.10536	0.187307
1885	0.00143	0.000455557	0.000466685	0.0116671	0.105004	0.186674
1886	0.00142	0.00045442	0.000465109	0.0116277	0.104649	0.186043
1887	0.00141	0.000453287	0.000463538	0.0115885	0.104296	0.185415
1888	0.00141	0.000452157	0.000461974	0.0115493	0.103944	0.18479
1889	0.0014	0.00045103	0.000460415	0.0115104	0.103593	0.184166
1890	0.00139	0.000449906	0.000458863	0.0114716	0.103244	0.183545
1891	0.00138	0.000448785	0.000457316	0.0114329	0.102896	0.182926
1892	0.00138	0.000447668	0.000455775	0.0113944	0.102549	0.18231
1893	0.00136	0.000446553	0.000454239	0.011356	0.102204	0.181696
1894	0.00136	0.000445442	0.00045271	0.0113177	0.10186	0.181084
1895	0.00135	0.000444333	0.000451186	0.0112796	0.101517	0.180474
1896	0.00135	0.000443228	0.000449668	0.0112417	0.101175	0.179867
1897	0.00133	0.000442126	0.000448155	0.0112039	0.100835	0.179262
1898	0.00133	0.000441026	0.000446648	0.0111662	0.100496	0.178659
1899	0.00132	0.00043993	0.000445147	0.0111287	0.100158	0.178059
1900	0.00131	0.000438837	0.000443652	0.0110913	0.0998216	0.177461
1901	0.0013	0.000437747	0.000442162	0.011054	0.0994864	0.176865
1902	0.0013	0.000436666	0.000440677	0.0110169	0.0991524	0.176271
1903	0.00128	0.000435575	0.000439198	0.01098	0.0988196	0.175679
1904	0.00128	0.000434494	0.000437725	0.0109431	0.0984881	0.17509
1905	0.00127	0.000433416	0.000436257	0.0109064	0.0981578	0.174503
1906	0.00126	0.000432341	0.000434795	0.0108699	0.0978288	0.173918
1907	0.00125	0.000431268	0.000433338	0.0108334	0.097501	0.173335
1908	0.00125	0.000430199	0.000431886	0.0107972	0.0971744	0.172755
1909	0.00123	0.000429133	0.00043044	0.010761	0.096849	0.172176
1910	0.00123	0.000428069	0.000428999	0.010725	0.0965249	0.1716
1911	0.00122	0.000427009	0.000427564	0.0106891	0.0962019	0.171026
1912	0.00122	0.000425951	0.000426134	0.0106534	0.0958802	0.170454
1913	0.0012	0.000424897	0.00042471	0.0106177	0.0955596	0.169884
1914	0.0012	0.000423845	0.00042329	0.0105823	0.0952403	0.169316
1915	0.00118	0.000422796	0.000421876	0.0105469	0.0949221	0.16875
1916	0.00118	0.00042175	0.000420467	0.0105117	0.0946051	0.168187
1917	0.00117	0.000420707	0.000419064	0.0104766	0.0942893	0.167625
1918	0.00117	0.000419667	0.000417665	0.0104416	0.0939747	0.167066
1919	0.00115	0.000418629	0.000416272	0.0104068	0.0936612	0.166509
1920	0.00115	0.000417595	0.000414884	0.0103721	0.0933489	0.165954
1921	0.00113	0.000416563	0.000413501	0.0103375	0.0930378	0.1654
1922	0.00113	0.000415534	0.000412123	0.0103031	0.0927278	0.164849
1923	0.00112	0.000414508	0.000410751	0.0102688	0.0924189	0.1643
1924	0.00111	0.000413485	0.000409383	0.0102346	0.0921112	0.163753
1925	0.0011	0.000412465	0.000408021	0.0102005	0.0918047	0.163208
1926	0.0011	0.000411447	0.000406663	0.0101666	0.0914993	0.162665
1927	0.00108	0.000410432	0.000405311	0.0101328	0.091195	0.162124

1928	0.00108	0.00040942	0.000403964	0.0100991	0.0908918	0.161585
1929	0.00106	0.000408411	0.000402621	0.0100655	0.0905898	0.161049
1930	0.00106	0.000407405	0.000401284	0.0100321	0.0902889	0.160514
1931	0.00105	0.000406401	0.000399951	0.00999878	0.0899891	0.159981
1932	0.00105	0.0004054	0.000398624	0.0099656	0.0896904	0.15945
1933	0.00103	0.000404402	0.000397301	0.00993253	0.0893928	0.15892
1934	0.00103	0.000403406	0.000395983	0.00989959	0.0890963	0.158393
1935	0.00101	0.000402413	0.000394671	0.00986676	0.0888009	0.157868
1936	0.00101	0.000401423	0.000393363	0.00983406	0.0885066	0.157345
1937	0.000994	0.000400436	0.000392059	0.00980148	0.0882133	0.156824
1938	0.000992	0.000399452	0.000390761	0.00976902	0.0879212	0.156304
1939	0.000976	0.00039847	0.000389467	0.00973668	0.0876301	0.155787
1940	0.000974	0.00039749	0.000388178	0.00970446	0.0873402	0.155271
1941	0.000957	0.000396514	0.000386894	0.00967236	0.0870512	0.154758
1942	0.000956	0.00039554	0.000385615	0.00964038	0.0867634	0.154246
1943	0.000939	0.000394569	0.00038434	0.00960851	0.0864766	0.153736
1944	0.000937	0.0003936	0.00038307	0.00957676	0.0861909	0.153228
1945	0.00092	0.000392634	0.000381805	0.00954513	0.0859062	0.152722
1946	0.000918	0.000391671	0.000380545	0.00951361	0.0856225	0.152218
1947	0.000901	0.000390711	0.000379289	0.00948222	0.0853399	0.151715
1948	0.0009	0.000389753	0.000378037	0.00945093	0.0850584	0.151215
1949	0.000882	0.000388797	0.000376791	0.00941976	0.0847779	0.150716
1950	0.00088	0.000387845	0.000375548	0.00938871	0.0844984	0.150219
1951	0.000863	0.000386894	0.000374311	0.00935777	0.0842199	0.149724
1952	0.000861	0.000385947	0.000373078	0.00932694	0.0839425	0.149231
1953	0.000843	0.000385002	0.000371849	0.00929623	0.0836661	0.14874
1954	0.000841	0.000384059	0.000370625	0.00926563	0.0833907	0.14825
1955	0.000823	0.00038312	0.000369406	0.00923514	0.0831163	0.147762
1956	0.000822	0.000382182	0.000368191	0.00920476	0.0828429	0.147276
1957	0.000803	0.000381248	0.00036698	0.0091745	0.0825705	0.146792
1958	0.000801	0.000380316	0.000365774	0.00914434	0.0822991	0.14631
1959	0.000782	0.000379386	0.000364572	0.0091143	0.0820287	0.145829
1960	0.000781	0.000378459	0.000363375	0.00908437	0.0817593	0.14535
1961	0.000761	0.000377534	0.000362182	0.00905454	0.0814909	0.144873
1962	0.00076	0.000376612	0.000360993	0.00902483	0.0812235	0.144397
1963	0.00074	0.000375693	0.000359809	0.00899522	0.080957	0.143924
1964	0.000739	0.000374776	0.000358629	0.00896572	0.0806915	0.143452
1965	0.000718	0.000373861	0.000357453	0.00893633	0.080427	0.142981
1966	0.000717	0.000372949	0.000356282	0.00890705	0.0801635	0.142513
1967	0.000696	0.00037204	0.000355115	0.00887788	0.0799009	0.142046
1968	0.000695	0.000371133	0.000353952	0.00884881	0.0796393	0.141581
1969	0.000673	0.000370228	0.000352794	0.00881985	0.0793786	0.141118
1970	0.000672	0.000369326	0.00035164	0.00879099	0.0791189	0.140656
1971	0.00065	0.000368426	0.000350489	0.00876224	0.0788601	0.140196
1972	0.000649	0.000367529	0.000349344	0.00873359	0.0786023	0.139737
1973	0.000626	0.000366634	0.000348202	0.00870505	0.0783454	0.139281
1974	0.000625	0.000365742	0.000347064	0.00867661	0.0780895	0.138826
1975	0.000601	0.000364852	0.000345931	0.00864828	0.0778345	0.138372
1976	0.0006	0.000363965	0.000344802	0.00862004	0.0775804	0.137921
1977	0.000576	0.000363079	0.000343677	0.00859192	0.0773272	0.137471
1978	0.000575	0.000362197	0.000342556	0.00856389	0.077075	0.137022
1979	0.00055	0.000361317	0.000341439	0.00853596	0.0768237	0.136575
1980	0.000549	0.000360439	0.000340326	0.00850814	0.0765733	0.13613
1981	0.000522	0.000359563	0.000339217	0.00848042	0.0763238	0.135687
1982	0.000521	0.000358689	0.000338112	0.0084528	0.0760752	0.135245
1983	0.000493	0.000357819	0.000337011	0.00842528	0.0758275	0.134804
1984	0.000493	0.000356951	0.000335914	0.00839786	0.0755807	0.134366
1985	0.000463	0.000356085	0.000334822	0.00837054	0.0753349	0.133929
1986	0.000463	0.000355221	0.000333733	0.00834332	0.0750899	0.133493
1987	0.000431	0.00035436	0.000332648	0.0083162	0.0748458	0.133059
1988	0.000431	0.000353501	0.000331567	0.00828917	0.0746025	0.132627
1989	0.000397	0.000352644	0.00033049	0.00826225	0.0743602	0.132196
1990	0.000397	0.00035179	0.000329417	0.00823542	0.0741188	0.131767
1991	0.00036	0.000350938	0.000328347	0.00820869	0.0738782	0.131339
1992	0.00036	0.000350088	0.000327282	0.00818205	0.0736385	0.130913
1993	0.000319	0.00034924	0.000326221	0.00815551	0.0733996	0.130488
1994	0.000319	0.000348395	0.000325163	0.00812907	0.0731616	0.130065
1995	0.000273	0.000347552	0.000324109	0.00810273	0.0729245	0.129644
1996	0.000273	0.000346712	0.000323059	0.00807647	0.0726883	0.129224
1997	0.000218	0.000345873	0.000322013	0.00805032	0.0724529	0.128805
1998	0.000218	0.000345037	0.00032097	0.00802426	0.0722183	0.128388
1999	0.000145	0.000344204	0.000319932	0.00799829	0.0719846	0.127973
2000		0.000343372	0.000318897	0.00797242	0.0717518	0.127559
2001		0.000342543	0.000317865	0.00794664	0.0715197	0.127146
2002		0.000341716	0.000316838	0.00792095	0.0712886	0.126735
2003		0.000340891	0.000315814	0.00789536	0.0710582	0.126326
2004		0.000340069	0.000314794	0.00786986	0.0708287	0.125918
2005		0.000339248	0.000313778	0.00784445	0.0706	0.125511
2006		0.00033843	0.000312765	0.00781913	0.0703721	0.125106
2007		0.000337614	0.000311756	0.0077939	0.0701451	0.124702
2008		0.0003368	0.000310751	0.00776877	0.0699189	0.1243
2009		0.000335989	0.000309749	0.00774372	0.0696935	0.1239
2010		0.00033518	0.000308751	0.00771876	0.0694689	0.1235
2011		0.000334372	0.000307756	0.0076939	0.0692451	0.123102
2012		0.000333567	0.000306765	0.00766912	0.0690221	0.122706
2013		0.000332765	0.000305777	0.00764444	0.0687999	0.122311
2014		0.000331964	0.000304794	0.00761984	0.0685786	0.121917
2015		0.000331165	0.000303813	0.00759533	0.068358	0.121525
2016		0.000330369	0.000302836	0.00757091	0.0681382	0.121135
2017		0.000329575	0.000301863	0.00754657	0.0679192	0.120745
2018		0.000328783	0.000300893	0.00752233	0.067701	0.120357
2019		0.000327993	0.000299927	0.00749817	0.0674835	0.119971
2020		0.000327205	0.000298964	0.0074741	0.0672669	0.119586
2021		0.000326419	0.000298004	0.00745011	0.067051	0.119202
2022		0.000325636	0.000297048	0.00742621	0.0668359	0.118819

2023	0.000324854	0.000296096	0.0074024	0.0666216	0.118438
2024	0.000324075	0.000295147	0.00737867	0.066408	0.118059
2025	0.000323298	0.000294201	0.00735502	0.0661952	0.11768
2026	0.000322523	0.000293259	0.00733146	0.0659832	0.117303
2027	0.00032175	0.00029232	0.00730799	0.0657719	0.116928
2028	0.000320979	0.000291384	0.0072846	0.0655614	0.116554
2029	0.00032021	0.000290452	0.00726129	0.0653516	0.116181
2030	0.000319443	0.000289523	0.00723807	0.0651426	0.115809
2031	0.000318678	0.000288597	0.00721493	0.0649343	0.115439
2032	0.000317915	0.000287675	0.00719187	0.0647268	0.11507
2033	0.000317155	0.000286756	0.00716889	0.06452	0.114702
2034	0.000316396	0.00028584	0.007146	0.064314	0.114336
2035	0.000315639	0.000284927	0.00712319	0.0641087	0.113971
2036	0.000314885	0.000284018	0.00710045	0.0639041	0.113607
2037	0.000314132	0.000283112	0.00707781	0.0637002	0.113245
2038	0.000313382	0.000282209	0.00705524	0.0634971	0.112884
2039	0.000312633	0.00028131	0.00703275	0.0632947	0.112524
2040	0.000311887	0.000280414	0.00701034	0.0630931	0.112165
2041	0.000311142	0.00027952	0.00698801	0.0628921	0.111808
2042	0.0003104	0.000278631	0.00696576	0.0626919	0.111452
2043	0.000309659	0.000277744	0.00694359	0.0624923	0.111097
2044	0.00030892	0.00027686	0.0069215	0.0622935	0.110744
2045	0.000308184	0.00027598	0.00689949	0.0620954	0.110392
2046	0.000307449	0.000275102	0.00687756	0.061898	0.110041
2047	0.000306717	0.000274228	0.0068557	0.0617013	0.109691
2048	0.000305986	0.000273357	0.00683392	0.0615053	0.109343
2049	0.000305257	0.000272489	0.00681222	0.06131	0.108996
2050	0.00030453	0.000271624	0.0067906	0.0611154	0.10865
2051	0.000303805	0.000270762	0.00676905	0.0609215	0.108305
2052	0.000303083	0.000269903	0.00674758	0.0607282	0.107961
2053	0.000302362	0.000269047	0.00672619	0.0605357	0.107619
2054	0.000301643	0.000268195	0.00670487	0.0603438	0.107278
2055	0.000300925	0.000267345	0.00668363	0.0601526	0.106938
2056	0.00030021	0.000266498	0.00666246	0.0599621	0.106599
2057	0.000299497	0.000265655	0.00664137	0.0597723	0.106262
2058	0.000298786	0.000264814	0.00662035	0.0595831	0.105926
2059	0.000298076	0.000263976	0.0065994	0.0593946	0.10559
2060	0.000297368	0.000263141	0.00657854	0.0592068	0.105257
2061	0.000296663	0.00026231	0.00655774	0.0590197	0.104924
2062	0.000295959	0.000261481	0.00653702	0.0588332	0.104592
2063	0.000295257	0.000260655	0.00651637	0.0586473	0.104262
2064	0.000294557	0.000259832	0.00649579	0.0584622	0.103933
2065	0.000293859	0.000259012	0.00647529	0.0582776	0.103605
2066	0.000293162	0.000258194	0.00645486	0.0580938	0.103278
2067	0.000292468	0.00025738	0.0064345	0.0579105	0.102952
2068	0.000291775	0.000256569	0.00641422	0.057728	0.102627
2069	0.000291084	0.00025576	0.006394	0.057546	0.102304
2070	0.000290395	0.000254954	0.00637386	0.0573647	0.101982
2071	0.000289708	0.000254151	0.00635379	0.0571841	0.101661
2072	0.000289023	0.000253351	0.00633378	0.0570041	0.101341
2073	0.000288339	0.000252554	0.00631385	0.0568247	0.101022
2074	0.000287658	0.00025176	0.00629399	0.0566459	0.100704
2075	0.000286978	0.000250968	0.0062742	0.0564678	0.100387
2076	0.0002863	0.000250179	0.00625448	0.0562903	0.100072
2077	0.000285623	0.000249393	0.00623483	0.0561134	0.0997572
2078	0.000284949	0.00024861	0.00621524	0.0559372	0.0994439
2079	0.000284276	0.000247829	0.00619573	0.0557616	0.0991317
2080	0.000283606	0.000247051	0.00617629	0.0555866	0.0988206
2081	0.000282936	0.000246276	0.00615691	0.0554122	0.0985105
2082	0.000282269	0.000245504	0.0061376	0.0552384	0.0982016
2083	0.000281604	0.000244734	0.00611836	0.0550652	0.0978937
2084	0.00028094	0.000243967	0.00609918	0.0548927	0.097587
2085	0.000280278	0.000243203	0.00608008	0.0547207	0.0972812
2086	0.000279618	0.000242442	0.00606104	0.0545493	0.0969766
2087	0.000278959	0.000241683	0.00604207	0.0543786	0.0966731
2088	0.000278302	0.000240926	0.00602316	0.0542084	0.0963706
2089	0.000277647	0.000240173	0.00600432	0.0540389	0.0960691
2090	0.000276994	0.000239422	0.00598555	0.0538699	0.0957687
2091	0.000276342	0.000238674	0.00596684	0.0537015	0.0954694
2092	0.000275693	0.000237928	0.0059482	0.0535338	0.0951711
2093	0.000275044	0.000237185	0.00592962	0.0533666	0.0948739
2094	0.000274398	0.000236444	0.00591111	0.0532	0.0945777
2095	0.000273753	0.000235706	0.00589266	0.0530339	0.0942825
2096	0.000273111	0.000234971	0.00587428	0.0528685	0.0939884
2097	0.000272469	0.000234238	0.00585596	0.0527036	0.0936953
2098	0.000271829	0.000233508	0.0058377	0.0525393	0.0934032
2099	0.000271192	0.00023278	0.00581951	0.0523756	0.0931122
2100	0.000270555	0.000232055	0.00580138	0.0522124	0.0928221
2101	0.000269921	0.000231333	0.00578332	0.0520499	0.0925331
2102	0.000269288	0.000230613	0.00576532	0.0518879	0.0922451
2103	0.000268657	0.000229895	0.00574738	0.0517264	0.091958
2104	0.000268027	0.00022918	0.0057295	0.0515655	0.091672
2105	0.000267399	0.000228468	0.00571169	0.0514052	0.091387
2106	0.000266773	0.000227757	0.00569394	0.0512454	0.091103
2107	0.000266149	0.00022705	0.00567625	0.0510862	0.0908199
2108	0.000265526	0.000226345	0.00565862	0.0509276	0.0905379
2109	0.000264905	0.000225642	0.00564105	0.0507695	0.0902568
2110	0.000264285	0.000224942	0.00562355	0.0506119	0.0899767
2111	0.000263667	0.000224244	0.0056061	0.0504549	0.0896976
2112	0.000263051	0.000223549	0.00558872	0.0502984	0.0894195
2113	0.000262436	0.000222856	0.00557139	0.0501425	0.0891423
2114	0.000261823	0.000222165	0.00555413	0.0499872	0.0888661
2115	0.000261211	0.000221477	0.00553693	0.0498323	0.0885908
2116	0.000260601	0.000220791	0.00551978	0.049678	0.0883165
2117	0.000259993	0.000220108	0.0055027	0.0495243	0.0880431

2118	0.000259387	0.000219427	0.00548567	0.049371	0.0877707
2119	0.000258781	0.000218748	0.0054687	0.0492183	0.0874993
2120	0.000258178	0.000218072	0.0054518	0.0490662	0.0872288
2121	0.000257576	0.000217398	0.00543495	0.0489145	0.0869592
2122	0.000256976	0.000216726	0.00541816	0.0487634	0.0866905
2123	0.000256377	0.000216057	0.00540143	0.0486128	0.0864228
2124	0.00025578	0.00021539	0.00538475	0.0484628	0.086156
2125	0.000255184	0.000214725	0.00536814	0.0483132	0.0858902
2126	0.00025459	0.000214063	0.00535158	0.0481642	0.0856252
2127	0.000253998	0.000213403	0.00533507	0.0480157	0.0853612
2128	0.000253407	0.000212745	0.00531863	0.0478677	0.0850981
2129	0.000252817	0.00021209	0.00530224	0.0477202	0.0848359
2130	0.00025223	0.000211436	0.00528591	0.0475732	0.0845746
2131	0.000251643	0.000210785	0.00526963	0.0474267	0.0843142
2132	0.000251059	0.000210137	0.00525342	0.0472807	0.0840547
2133	0.000250475	0.00020949	0.00523725	0.0471353	0.0837961
2134	0.000249894	0.000208846	0.00522115	0.0469903	0.0835383
2135	0.000249314	0.000208204	0.00520509	0.0468459	0.0832815
2136	0.000248735	0.000207564	0.0051891	0.0467019	0.0830256
2137	0.000248158	0.000206926	0.00517316	0.0465584	0.0827705
2138	0.000247582	0.000206291	0.00515727	0.0464154	0.0825163
2139	0.000247008	0.000205658	0.00514144	0.046273	0.082263
2140	0.000246436	0.000205027	0.00512566	0.046131	0.0820106
2141	0.000245865	0.000204398	0.00510994	0.0459895	0.0817591
2142	0.000245295	0.000203771	0.00509427	0.0458485	0.0815084
2143	0.000244727	0.000203146	0.00507866	0.0457079	0.0812585
2144	0.00024416	0.000202524	0.0050631	0.0455679	0.0810095
2145	0.000243595	0.000201904	0.00504759	0.0454283	0.0807614
2146	0.000243032	0.000201285	0.00503214	0.0452892	0.0805142
2147	0.000242469	0.000200669	0.00501673	0.0451506	0.0802677
2148	0.000241909	0.000200055	0.00500139	0.0450125	0.0800222
2149	0.000241349	0.000199444	0.00498609	0.0448748	0.0797774
2150	0.000240792	0.000198834	0.00497085	0.0447376	0.0795336
2151	0.000240235	0.000198226	0.00495566	0.0446009	0.0792905
2152	0.00023968	0.000197621	0.00494052	0.0444647	0.0790483
2153	0.000239127	0.000197017	0.00492543	0.0443289	0.0788069
2154	0.000238575	0.000196416	0.0049104	0.0441936	0.0785663
2155	0.000238024	0.000195816	0.00489541	0.0440587	0.0783266
2156	0.000237475	0.000195219	0.00488048	0.0439243	0.0780877
2157	0.000236928	0.000194624	0.0048656	0.0437904	0.0778496
2158	0.000236381	0.000194031	0.00485077	0.0436569	0.0776123
2159	0.000235837	0.00019344	0.00483599	0.0435239	0.0773758
2160	0.000235293	0.00019285	0.00482126	0.0433913	0.0771402
2161	0.000234751	0.000192263	0.00480658	0.0432592	0.0769053
2162	0.000234211	0.000191678	0.00479195	0.0431276	0.0766712
2163	0.000233671	0.000191095	0.00477737	0.0429964	0.076438
2164	0.000233134	0.000190514	0.00476285	0.0428656	0.0762055
2165	0.000232597	0.000189935	0.00474837	0.0427353	0.0759739
2166	0.000232062	0.000189357	0.00473394	0.0426054	0.075743
2167	0.000231529	0.000188782	0.00471956	0.042476	0.0755129
2168	0.000230997	0.000188209	0.00470522	0.042347	0.0752836
2169	0.000230466	0.000187638	0.00469094	0.0422185	0.0750551
2170	0.000229936	0.000187068	0.00467671	0.0420904	0.0748273
2171	0.000229408	0.000186501	0.00466252	0.0419627	0.0746004
2172	0.000228882	0.000185935	0.00464839	0.0418355	0.0743742
2173	0.000228356	0.000185372	0.0046343	0.0417087	0.0741487
2174	0.000227832	0.00018481	0.00462025	0.0415823	0.0739241
2175	0.00022731	0.00018425	0.00460626	0.0414564	0.0737002
2176	0.000226789	0.000183693	0.00459232	0.0413308	0.073477
2177	0.000226269	0.000183137	0.00457842	0.0412058	0.0732547
2178	0.00022575	0.000182583	0.00456457	0.0410811	0.0730331
2179	0.000225233	0.00018203	0.00455076	0.0409569	0.0728122
2180	0.000224717	0.00018148	0.004537	0.040833	0.0725921
2181	0.000224203	0.000180932	0.00452329	0.0407096	0.0723727
2182	0.00022369	0.000180385	0.00450963	0.0405867	0.0721541
2183	0.000223178	0.00017984	0.00449601	0.0404641	0.0719362
2184	0.000222667	0.000179298	0.00448244	0.040342	0.071719
2185	0.000222158	0.000178757	0.00446891	0.0402202	0.0715026
2186	0.00022165	0.000178217	0.00445544	0.0400989	0.071287
2187	0.000221143	0.00017768	0.004442	0.039978	0.071072
2188	0.000220638	0.000177144	0.00442861	0.0398575	0.0708578
2189	0.000220134	0.000176611	0.00441527	0.0397374	0.0706443
2190	0.000219632	0.000176079	0.00440197	0.0396177	0.0704315
2191	0.00021913	0.000175549	0.00438872	0.0394985	0.0702195
2192	0.00021863	0.00017502	0.00437551	0.0393796	0.0700082
2193	0.000218132	0.000174494	0.00436235	0.0392611	0.0697975
2194	0.000217634	0.000173969	0.00434923	0.039143	0.0695876
2195	0.000217138	0.000173446	0.00433615	0.0390254	0.0693784
2196	0.000216643	0.000172925	0.00432312	0.0389081	0.0691699
2197	0.000216149	0.000172405	0.00431013	0.0387912	0.0689621
2198	0.000215657	0.000171888	0.00429719	0.0386747	0.0687551
2199	0.000215166	0.000171372	0.00428429	0.0385586	0.0685487
2200	0.000214676	0.000170857	0.00427144	0.0384429	0.068343
2201	0.000214188	0.000170345	0.00425862	0.0383276	0.068138
2202	0.0002137	0.000169834	0.00424585	0.0382127	0.0679337
2203	0.000213214	0.000169325	0.00423313	0.0380982	0.0677301
2204	0.00021273	0.000168818	0.00422045	0.037984	0.0675271
2205	0.000212246	0.000168312	0.0042078	0.0378702	0.0673249
2206	0.000211764	0.000167808	0.00419521	0.0377569	0.0671233
2207	0.000211283	0.000167306	0.00418265	0.0376439	0.0669224
2208	0.000210803	0.000166805	0.00417014	0.0375312	0.0667222
2209	0.000210324	0.000166307	0.00415767	0.037419	0.0665226
2210	0.000209847	0.000165809	0.00414524	0.0373071	0.0663238
2211	0.000209371	0.000165314	0.00413285	0.0371956	0.0661256
2212	0.000208896	0.00016482	0.0041205	0.0370845	0.065928

2213	0.000208422	0.000164328	0.0041082	0.0369738	0.0657311
2214	0.00020795	0.000163837	0.00409593	0.0368634	0.0655349
2215	0.000207479	0.000163348	0.00408371	0.0367534	0.0653394
2216	0.000207009	0.000162861	0.00407153	0.0366438	0.0651445
2217	0.00020654	0.000162376	0.00405939	0.0365345	0.0649502
2218	0.000206072	0.000161892	0.00404729	0.0364256	0.0647566
2219	0.000205606	0.000161409	0.00403523	0.0363171	0.0645637
2220	0.000205141	0.000160928	0.00402321	0.0362089	0.0643714
2221	0.000204677	0.000160449	0.00401123	0.0361011	0.0641797
2222	0.000204214	0.000159972	0.00399929	0.0359936	0.0639887
2223	0.000203752	0.000159496	0.00398739	0.0358866	0.0637983
2224	0.000203292	0.000159021	0.00397554	0.0357798	0.0636086
2225	0.000202833	0.000158549	0.00396372	0.0356734	0.0634195
2226	0.000202375	0.000158077	0.00395194	0.0355674	0.063231
2227	0.000201918	0.000157608	0.0039402	0.0354618	0.0630431
2228	0.000201462	0.00015714	0.0039285	0.0353565	0.0628559
2229	0.000201007	0.000156673	0.00391683	0.0352515	0.0626693
2230	0.000200554	0.000156208	0.00390521	0.0351469	0.0624834
2231	0.000200102	0.000155745	0.00389363	0.0350426	0.062298
2232	0.000199651	0.000155283	0.00388208	0.0349387	0.0621133
2233	0.000199201	0.000154823	0.00387057	0.0348351	0.0619292
2234	0.000198752	0.000154364	0.0038591	0.0347319	0.0617457
2235	0.000198304	0.000153907	0.00384767	0.0346291	0.0615628
2236	0.000197858	0.000153451	0.00383628	0.0345265	0.0613805
2237	0.000197412	0.000152997	0.00382492	0.0344243	0.0611988
2238	0.000196968	0.000152544	0.00381361	0.0343225	0.0610177
2239	0.000196525	0.000152093	0.00380233	0.034221	0.0608373
2240	0.000196083	0.000151643	0.00379109	0.0341198	0.0606574
2241	0.000195642	0.000151195	0.00377988	0.0340189	0.0604781
2242	0.000195203	0.000150749	0.00376871	0.0339184	0.0602994
2243	0.000194764	0.000150303	0.00375758	0.0338183	0.0601214
2244	0.000194327	0.00014986	0.00374649	0.0337184	0.0599439
2245	0.00019389	0.000149417	0.00373544	0.0336189	0.059767
2246	0.000193455	0.000148977	0.00372442	0.0335197	0.0595906
2247	0.000193021	0.000148537	0.00371343	0.0334209	0.0594149
2248	0.000192588	0.000148099	0.00370249	0.0333224	0.0592398
2249	0.000192156	0.000147663	0.00369158	0.0332242	0.0590652
2250	0.000191725	0.000147228	0.0036807	0.0331263	0.0588912
2251	0.000191295	0.000146795	0.00366986	0.0330288	0.0587178
2252	0.000190867	0.000146362	0.00365906	0.0329315	0.058545
2253	0.000190439	0.000145932	0.00364829	0.0328346	0.0583727
2254	0.000190013	0.000145503	0.00363756	0.0327381	0.058201
2255	0.000189588	0.000145075	0.00362687	0.0326418	0.0580299
2256	0.000189163	0.000144648	0.00361621	0.0325459	0.0578593
2257	0.00018874	0.000144223	0.00360558	0.0324502	0.0576893
2258	0.000188318	0.0001438	0.00359499	0.0323549	0.0575199
2259	0.000187897	0.000143378	0.00358444	0.0322599	0.057351
2260	0.000187477	0.000142957	0.00357392	0.0321653	0.0571827
2261	0.000187058	0.000142537	0.00356343	0.0320709	0.0570149
2262	0.00018664	0.000142119	0.00355298	0.0319768	0.0568477
2263	0.000186223	0.000141703	0.00354257	0.0318831	0.0566811
2264	0.000185808	0.000141287	0.00353219	0.0317897	0.056515
2265	0.000185393	0.000140874	0.00352184	0.0316965	0.0563494
2266	0.00018498	0.000140461	0.00351152	0.0316037	0.0561844
2267	0.000184567	0.00014005	0.00350125	0.0315112	0.0560199
2268	0.000184155	0.00013964	0.003491	0.031419	0.055856
2269	0.000183745	0.000139232	0.00348079	0.0313271	0.0556926
2270	0.000183336	0.000138824	0.00347061	0.0312355	0.0555298
2271	0.000182927	0.000138419	0.00346046	0.0311442	0.0553674
2272	0.00018252	0.000138014	0.00345035	0.0310532	0.0552057
2273	0.000182113	0.000137611	0.00344028	0.0309625	0.0550444
2274	0.000181708	0.000137209	0.00343023	0.0308721	0.0548837
2275	0.000181304	0.000136809	0.00342022	0.030782	0.0547235
2276	0.000180901	0.00013641	0.00341024	0.0306922	0.0545638
2277	0.000180498	0.000136012	0.00340029	0.0306026	0.0544047
2278	0.000180097	0.000135615	0.00339038	0.0305134	0.0542461
2279	0.000179697	0.00013522	0.0033805	0.0304245	0.054088
2280	0.000179298	0.000134826	0.00337065	0.0303358	0.0539304
2281	0.0001789	0.000134433	0.00336083	0.0302475	0.0537733
2282	0.000178503	0.000134042	0.00335105	0.0301594	0.0536168
2283	0.000178106	0.000133652	0.0033413	0.0300717	0.0534607
2284	0.000177711	0.000133263	0.00333158	0.0299842	0.0533052
2285	0.000177317	0.000132876	0.00332189	0.029897	0.0531502
2286	0.000176924	0.000132489	0.00331223	0.0298101	0.0529957
2287	0.000176532	0.000132104	0.00330261	0.0297235	0.0528417
2288	0.000176141	0.000131721	0.00329301	0.0296371	0.0526882
2289	0.00017575	0.000131338	0.00328345	0.0295511	0.0525352
2290	0.000175361	0.000130957	0.00327392	0.0294653	0.0523827
2291	0.000174973	0.000130577	0.00326444	0.0293798	0.0522307
2292	0.000174586	0.000130198	0.00325495	0.0292946	0.0520792
2293	0.000174199	0.000129821	0.00324551	0.0292096	0.0519282
2294	0.000173814	0.000129444	0.00323611	0.0291249	0.0517777
2295	0.00017343	0.000129069	0.00322673	0.0290406	0.0516277
2296	0.000173046	0.000128695	0.00321738	0.0289564	0.0514781
2297	0.000172664	0.000128323	0.00320807	0.0288726	0.0513291
2298	0.000172283	0.000127951	0.00319878	0.028789	0.0511805
2299	0.000171902	0.000127581	0.00318953	0.0287058	0.0510324
2300	0.000171523	0.000127212	0.0031803	0.0286227	0.0508849
2301	0.000171144	0.000126844	0.00317111	0.02854	0.0507377
2302	0.000170766	0.000126478	0.00316194	0.0284575	0.0505911
2303	0.00017039	0.000126112	0.00315281	0.0283753	0.0504449
2304	0.000170014	0.000125748	0.0031437	0.0282933	0.0502993
2305	0.000169639	0.000125385	0.00313463	0.0282117	0.0501541
2306	0.000169265	0.000125023	0.00312558	0.0281302	0.0500093
2307	0.000168892	0.000124663	0.00311657	0.0280491	0.0498651

2308	0.000168521	0.000124303	0.00310758	0.0279682	0.0497213
2309	0.000168149	0.000123945	0.00309862	0.0278876	0.0495779
2310	0.000167779	0.000123588	0.00308969	0.0278072	0.0494351
2311	0.00016741	0.000123232	0.00308079	0.0277271	0.0492927
2312	0.000167042	0.000122877	0.00307192	0.0276473	0.0491507
2313	0.000166675	0.000122523	0.00306308	0.0275677	0.0490092
2314	0.000166308	0.000122171	0.00305426	0.0274884	0.0488682
2315	0.000165943	0.000121819	0.00304548	0.0274093	0.0487277
2316	0.000165578	0.000121469	0.00303672	0.0273305	0.0485876
2317	0.000165215	0.00012112	0.00302799	0.0272519	0.0484479
2318	0.000164852	0.000120772	0.00301929	0.0271736	0.0483087
2319	0.00016449	0.000120425	0.00301062	0.0270956	0.0481699
2320	0.000164129	0.000120079	0.00300198	0.0270178	0.0480316
2321	0.000163769	0.000119734	0.00299336	0.0269403	0.0478938
2322	0.00016341	0.000119391	0.00298477	0.026863	0.0477564
2323	0.000163052	0.000119049	0.00297621	0.0267859	0.0476194
2324	0.000162694	0.000118707	0.00296768	0.0267091	0.0474829
2325	0.000162338	0.000118367	0.00295917	0.0266326	0.0473468
2326	0.000161982	0.000118028	0.0029507	0.0265563	0.0472112
2327	0.000161628	0.00011769	0.00294225	0.0264802	0.047076
2328	0.000161274	0.000117353	0.00293382	0.0264044	0.0469412
2329	0.000160921	0.000117017	0.00292543	0.0263289	0.0468068
2330	0.000160569	0.000116682	0.00291706	0.0262535	0.0466729
2331	0.000160218	0.000116349	0.00290872	0.0261785	0.0465395
2332	0.000159868	0.000116016	0.0029004	0.0261036	0.0464064
2333	0.000159518	0.000115685	0.00289211	0.026029	0.0462738
2334	0.00015917	0.000115354	0.00288385	0.0259547	0.0461416
2335	0.000158822	0.000115025	0.00287562	0.0258806	0.0460099
2336	0.000158475	0.000114696	0.00286741	0.0258067	0.0458785
2337	0.000158129	0.000114369	0.00285923	0.025733	0.0457476
2338	0.000157784	0.000114043	0.00285107	0.0256596	0.0456171
2339	0.00015744	0.000113718	0.00284294	0.0255865	0.0454871
2340	0.000157097	0.000113394	0.00283484	0.0255135	0.0453574
2341	0.000156754	0.00011307	0.00282676	0.0254408	0.0452282
2342	0.000156413	0.000112748	0.00281871	0.0253684	0.0450993
2343	0.000156072	0.000112427	0.00281068	0.0252961	0.0449709
2344	0.000155732	0.000112107	0.00280268	0.0252242	0.0448429
2345	0.000155393	0.000111788	0.00279471	0.0251524	0.0447153
2346	0.000155055	0.00011147	0.00278676	0.0250808	0.0445882
2347	0.000154717	0.000111153	0.00277884	0.0250095	0.0444614
2348	0.000154381	0.000110838	0.00277094	0.0249385	0.044335
2349	0.000154045	0.000110523	0.00276307	0.0248676	0.0442091
2350	0.00015371	0.000110209	0.00275522	0.024797	0.0440835
2351	0.000153376	0.000109896	0.0027474	0.0247266	0.0439584
2352	0.000153043	0.000109584	0.0027396	0.0246564	0.0438336
2353	0.00015271	0.000109273	0.00273183	0.0245865	0.0437092
2354	0.000152379	0.000108963	0.00272408	0.0245167	0.0435853
2355	0.000152048	0.000108654	0.00271636	0.0244472	0.0434617
2356	0.000151718	0.000108346	0.00270866	0.0243779	0.0433386
2357	0.000151389	0.000108039	0.00270099	0.0243089	0.0432158
2358	0.000151061	0.000107734	0.00269334	0.02424	0.0430934
2359	0.000150733	0.000107429	0.00268571	0.0241714	0.0429714
2360	0.000150407	0.000107125	0.00267811	0.024103	0.0428498
2361	0.000150081	0.000106821	0.00267054	0.0240348	0.0427286
2362	0.000149756	0.000106519	0.00266299	0.0239669	0.0426078
2363	0.000149431	0.000106218	0.00265546	0.0238991	0.0424873
2364	0.000149108	0.000105918	0.00264795	0.0238316	0.0423673
2365	0.000148785	0.000105619	0.00264047	0.0237643	0.0422476
2366	0.000148463	0.000105321	0.00263302	0.0236972	0.0421283
2367	0.000148142	0.000105023	0.00262559	0.0236303	0.0420094
2368	0.000147822	0.000104727	0.00261818	0.0235636	0.0418908
2369	0.000147503	0.000104432	0.00261079	0.0234971	0.0417727
2370	0.000147184	0.000104137	0.00260343	0.0234309	0.0416549
2371	0.000146866	0.000103844	0.00259609	0.0233648	0.0415375
2372	0.000146549	0.000103551	0.00258878	0.023309	0.0414205
2373	0.000146233	0.000103259	0.00258149	0.0232534	0.0413038
2374	0.000145917	0.000102969	0.00257422	0.023198	0.0411875
2375	0.000145602	0.000102679	0.00256697	0.0231428	0.0410716
2376	0.000145288	0.00010239	0.00255975	0.0230878	0.040956
2377	0.000144975	0.000102102	0.00255255	0.022933	0.0408408
2378	0.000144663	0.000101815	0.00254537	0.0229084	0.040726
2379	0.000144351	0.000101529	0.00253822	0.022844	0.0406115
2380	0.00014404	0.000101244	0.00253109	0.0227798	0.0404974
2381	0.000143733	0.000100959	0.00252398	0.0227158	0.0403837
2382	0.00014342	0.000100676	0.0025169	0.0226521	0.0402703
2383	0.000143112	0.000100393	0.00250983	0.0225885	0.0401573
2384	0.000142804	0.000100112	0.00250279	0.0225251	0.0400446
2385	0.000142497	9.98E-05	0.00249577	0.0224619	0.0399323
2386	0.000142191	9.96E-05	0.00248877	0.022399	0.0398204
2387	0.000141885	9.93E-05	0.0024818	0.0223362	0.0397088
2388	0.00014158	9.90E-05	0.00247485	0.0222736	0.0395976
2389	0.000141276	9.87E-05	0.00246792	0.0222112	0.0394867
2390	0.000140973	9.84E-05	0.00246101	0.0221491	0.0393761
2391	0.00014067	9.82E-05	0.00245412	0.0220871	0.0392659
2392	0.000140368	9.79E-05	0.00244726	0.0220253	0.0391561
2393	0.000140067	9.76E-05	0.00244041	0.0219637	0.0390466
2394	0.000139767	9.73E-05	0.00243359	0.0219023	0.0389374
2395	0.000139467	9.71E-05	0.00242679	0.0218411	0.0388286
2396	0.000139168	9.68E-05	0.00242001	0.0217801	0.0387202
2397	0.00013887	9.65E-05	0.00241325	0.0217193	0.038612
2398	0.000138572	9.63E-05	0.00240652	0.0216586	0.0385043
2399	0.000138276	9.60E-05	0.0023998	0.0215982	0.0383968
2400	0.00013798	9.57E-05	0.00239311	0.021538	0.0382897
2401	0.000137684	9.55E-05	0.00238643	0.0214779	0.0381829
2402	0.00013739	9.52E-05	0.00237978	0.021418	0.0380765

2403	0.000137096	9.49E-05	0.00237315	0.0213584	0.0379704
2404	0.000136803	9.47E-05	0.00236654	0.0212989	0.0378646
2405	0.000136511	9.44E-05	0.00235995	0.0212396	0.0377592
2406	0.000136219	9.41E-05	0.00235338	0.0211804	0.0376541
2407	0.000135928	9.39E-05	0.00234683	0.0211215	0.0375493
2408	0.000135638	9.36E-05	0.00234031	0.0210628	0.0374449
2409	0.000135348	9.34E-05	0.0023338	0.0210042	0.0373408
2410	0.000135059	9.31E-05	0.00232731	0.0209458	0.037237
2411	0.000134771	9.28E-05	0.00232085	0.0208876	0.0371335
2412	0.000134484	9.26E-05	0.0023144	0.0208296	0.0370304
2413	0.000134197	9.23E-05	0.00230797	0.0207718	0.0369276
2414	0.000133911	9.21E-05	0.00230157	0.0207141	0.0368251
2415	0.000133626	9.18E-05	0.00229518	0.0206566	0.0367229
2416	0.000133341	9.16E-05	0.00228882	0.0205994	0.0366211
2417	0.000133057	9.13E-05	0.00228247	0.0205422	0.0365195
2418	0.000132774	9.10E-05	0.00227615	0.0204853	0.0364183
2419	0.000132491	9.08E-05	0.00226984	0.0204285	0.0363174
2420	0.00013221	9.05E-05	0.00226355	0.020372	0.0362168
2421	0.000131928	9.03E-05	0.00225729	0.0203156	0.0361166
2422	0.000131648	9.00E-05	0.00225104	0.0202593	0.0360166
2423	0.000131368	8.98E-05	0.00224481	0.0202033	0.035917
2424	0.000131089	8.95E-05	0.0022386	0.0201474	0.0358176
2425	0.00013081	8.93E-05	0.00223241	0.0200917	0.0357186
2426	0.000130533	8.90E-05	0.00222624	0.0200362	0.0356199
2427	0.000130256	8.88E-05	0.00222009	0.0199808	0.0355215
2428	0.000129979	8.86E-05	0.00221396	0.0199257	0.0354234
2429	0.000129703	8.83E-05	0.00220785	0.0198706	0.0353256
2430	0.000129428	8.81E-05	0.00220176	0.0198158	0.0352281
2431	0.000129154	8.78E-05	0.00219568	0.0197611	0.0351309
2432	0.00012888	8.76E-05	0.00218963	0.0197066	0.035034
2433	0.000128607	8.73E-05	0.00218359	0.0196523	0.0349375
2434	0.000128335	8.71E-05	0.00217757	0.0195982	0.0348412
2435	0.000128063	8.69E-05	0.00217157	0.0195442	0.0347452
2436	0.000127792	8.66E-05	0.00216559	0.0194904	0.0346495
2437	0.000127521	8.64E-05	0.00215963	0.0194367	0.0345541
2438	0.000127252	8.61E-05	0.00215369	0.0193832	0.034459
2439	0.000126983	8.59E-05	0.00214777	0.0193299	0.0343642
2440	0.000126714	8.57E-05	0.00214186	0.0192767	0.0342698
2441	0.000126446	8.54E-05	0.00213597	0.0192237	0.0341755
2442	0.000126179	8.52E-05	0.0021301	0.0191709	0.0340816
2443	0.000125913	8.50E-05	0.00212425	0.0191183	0.033988
2444	0.000125647	8.47E-05	0.00211842	0.0190658	0.0338947
2445	0.000125382	8.45E-05	0.0021126	0.0190134	0.0338016
2446	0.000125117	8.43E-05	0.0021068	0.0189612	0.0337089
2447	0.000124853	8.40E-05	0.00210103	0.0189092	0.0336164
2448	0.00012459	8.38E-05	0.00209526	0.0188574	0.0335242
2449	0.000124327	8.36E-05	0.00208952	0.0188057	0.0334323
2450	0.000124065	8.34E-05	0.0020838	0.0187542	0.0333407
2451	0.000123804	8.31E-05	0.00207809	0.0187028	0.0332494
2452	0.000123543	8.29E-05	0.0020724	0.0186516	0.0331583
2453	0.000123283	8.27E-05	0.00206672	0.0186005	0.0330676
2454	0.000123023	8.24E-05	0.00206107	0.0185496	0.0329771
2455	0.000122764	8.22E-05	0.00205543	0.0184989	0.0328869
2456	0.000122506	8.20E-05	0.00204981	0.0184483	0.032797
2457	0.000122248	8.18E-05	0.00204421	0.0183979	0.0327073
2458	0.000121991	8.15E-05	0.00203862	0.0183476	0.032618
2459	0.000121735	8.13E-05	0.00203305	0.0182975	0.0325289
2460	0.000121479	8.11E-05	0.0020275	0.0182475	0.03244
2461	0.000121224	8.09E-05	0.00202197	0.0181977	0.0323515
2462	0.000120969	8.07E-05	0.00201645	0.0181481	0.0322632
2463	0.000120715	8.04E-05	0.00201095	0.0180986	0.0321752
2464	0.000120462	8.02E-05	0.00200547	0.0180492	0.0320875
2465	0.000120209	8.00E-05	0.002	0.018	0.032
2466	0.000119957	7.98E-05	0.00199455	0.017951	0.0319128
2467	0.000119706	7.96E-05	0.00198912	0.0179021	0.0318259
2468	0.000119455	7.93E-05	0.0019837	0.0178533	0.0317393
2469	0.000119205	7.91E-05	0.0019783	0.0178047	0.0316529
2470	0.000118955	7.89E-05	0.00197292	0.0177563	0.0315667
2471	0.000118706	7.87E-05	0.00196755	0.017708	0.0314809
2472	0.000118457	7.85E-05	0.00196221	0.0176598	0.0313953
2473	0.000118209	7.83E-05	0.00195687	0.0176118	0.0313099
2474	0.000117962	7.81E-05	0.00195155	0.017564	0.0312249
2475	0.000117715	7.79E-05	0.00194625	0.0175163	0.0311401
2476	0.000117469	7.76E-05	0.00194097	0.0174687	0.0310555
2477	0.000117224	7.74E-05	0.0019357	0.0174213	0.0309712
2478	0.000116979	7.72E-05	0.00193045	0.017374	0.0308872
2479	0.000116735	7.70E-05	0.00192521	0.0173269	0.0308034
2480	0.000116491	7.68E-05	0.00191999	0.0172799	0.0307199
2481	0.000116248	7.66E-05	0.00191479	0.0172331	0.0306366
2482	0.000116005	7.64E-05	0.0019096	0.0171864	0.0305536
2483	0.000115763	7.62E-05	0.00190443	0.0171399	0.0304709
2484	0.000115522	7.60E-05	0.00189927	0.0170935	0.0303884
2485	0.000115281	7.58E-05	0.00189413	0.0170472	0.0303061
2486	0.000115041	7.56E-05	0.00188901	0.0170011	0.0302241
2487	0.000114801	7.54E-05	0.0018839	0.0169551	0.0301424
2488	0.000114562	7.52E-05	0.00187881	0.0169093	0.0300609
2489	0.000114323	7.49E-05	0.00187373	0.0168635	0.0299796
2490	0.000114085	7.47E-05	0.00186867	0.016818	0.0298986
2491	0.000113848	7.45E-05	0.00186362	0.0167726	0.0298179
2492	0.000113611	7.43E-05	0.00185859	0.0167273	0.0297374
2493	0.000113375	7.41E-05	0.00185357	0.0166821	0.0296571
2494	0.000113139	7.39E-05	0.00184857	0.0166371	0.0295771
2495	0.000112904	7.37E-05	0.00184358	0.0165923	0.0294973
2496	0.000112669	7.35E-05	0.00183861	0.0165475	0.0294178
2497	0.000112435	7.33E-05	0.00183366	0.0165029	0.0293385

2498	0.000112202	7.31E-05	0.00182872	0.0164585	0.0292595
2499	0.000111969	7.30E-05	0.00182379	0.0164141	0.0291807
2500	0.000111736	7.28E-05	0.00181888	0.0163699	0.0291021
2501	0.000111505	7.26E-05	0.00181399	0.0163259	0.0290238
2502	0.000111273	7.24E-05	0.00180911	0.016282	0.0289457
2503	0.000111043	7.22E-05	0.00180424	0.0162382	0.0288678
2504	0.000110812	7.20E-05	0.00179939	0.0161945	0.0287902
2505	0.000110583	7.18E-05	0.00179455	0.016151	0.0287128
2506	0.000110354	7.16E-05	0.00178973	0.0161076	0.0286357
2507	0.000110125	7.14E-05	0.00178492	0.0160643	0.0285588
2508	0.000109897	7.12E-05	0.00178013	0.0160212	0.0284821
2509	0.00010967	7.10E-05	0.00177535	0.0159782	0.0284057
2510	0.000109443	7.08E-05	0.00177059	0.0159353	0.0283295
2511	0.000109217	7.06E-05	0.00176584	0.0158926	0.0282535
2512	0.000108991	7.04E-05	0.00176111	0.01585	0.0281777
2513	0.000108766	7.03E-05	0.00175639	0.0158075	0.0281022
2514	0.000108541	7.01E-05	0.00175168	0.0157651	0.0280269
2515	0.000108317	6.99E-05	0.00174699	0.0157229	0.0279519
2516	0.000108093	6.97E-05	0.00174231	0.0156808	0.0278777
2517	0.00010787	6.95E-05	0.00173765	0.0156389	0.0278024
2518	0.000107647	6.93E-05	0.001733	0.015597	0.0277278
2519	0.000107425	6.91E-05	0.00172837	0.0155553	0.0276539
2520	0.000107204	6.89E-05	0.00172375	0.0155137	0.0275799
2521	0.000106983	6.88E-05	0.00171914	0.0154722	0.0275062
2522	0.000106762	6.86E-05	0.00171455	0.0154309	0.0274327
2523	0.000106542	6.84E-05	0.00170997	0.0153897	0.0273595
2524	0.000106323	6.82E-05	0.0017054	0.0153486	0.0272864
2525	0.000106104	6.80E-05	0.00170085	0.0153076	0.0272136
2526	0.000105885	6.79E-05	0.00169631	0.0152668	0.027141
2527	0.000105667	6.77E-05	0.00169179	0.0152261	0.0270686
2528	0.00010545	6.75E-05	0.00168728	0.0151855	0.0269964
2529	0.000105233	6.73E-05	0.00168278	0.015145	0.0269245
2530	0.000105017	6.71E-05	0.0016783	0.0151047	0.0268527
2531	0.000104801	6.70E-05	0.00167383	0.0150644	0.0267812
2532	0.000104586	6.68E-05	0.00166937	0.0150243	0.0267099
2533	0.000104371	6.66E-05	0.00166493	0.0149843	0.0266388
2534	0.000104156	6.64E-05	0.0016605	0.0149445	0.026568
2535	0.000103943	6.62E-05	0.00165608	0.0149047	0.0264973
2536	0.000103729	6.61E-05	0.00165168	0.0148651	0.0264268
2537	0.000103516	6.59E-05	0.00164729	0.0148256	0.0263566
2538	0.000103304	6.57E-05	0.00164291	0.0147862	0.0262866
2539	0.000103092	6.55E-05	0.00163855	0.0147469	0.0262168
2540	0.000102881	6.54E-05	0.0016342	0.0147078	0.0261472
2541	0.00010267	6.52E-05	0.00162986	0.0146687	0.0260778
2542	0.00010246	6.50E-05	0.00162554	0.0146298	0.0260086
2543	0.00010225	6.48E-05	0.00162122	0.014591	0.0259396
2544	0.000102041	6.47E-05	0.00161693	0.0145523	0.0258708
2545	0.000101832	6.45E-05	0.00161264	0.0145138	0.0258022
2546	0.000101624	6.43E-05	0.00160837	0.0144753	0.0257339
2547	0.000101416	6.42E-05	0.00160411	0.014437	0.0256657
2548	0.000101209	6.40E-05	0.00159986	0.0143987	0.0255978
2549	0.000101002	6.38E-05	0.00159563	0.0143606	0.02553
2550	0.000100795	6.37E-05	0.0015914	0.0143226	0.0254625
2551	0.000100589	6.35E-05	0.00158719	0.0142847	0.0253951
2552	0.000100384	6.33E-05	0.001583	0.014247	0.025328
2553	0.000100179	6.32E-05	0.00157881	0.0142093	0.025261
2554	1.00E-04	6.30E-05	0.00157464	0.0141718	0.0251943
2555	9.98E-05	6.28E-05	0.00157048	0.0141343	0.0251277
2556	9.96E-05	6.27E-05	0.00156634	0.014097	0.0250614
2557	9.94E-05	6.25E-05	0.0015622	0.0140598	0.0249952
2558	9.92E-05	6.23E-05	0.00155808	0.0140227	0.0249293
2559	9.90E-05	6.22E-05	0.00155397	0.0139857	0.0248635
2560	9.88E-05	6.20E-05	0.00154987	0.0139489	0.024798
2561	9.86E-05	6.18E-05	0.00154579	0.0139121	0.0247326
2562	9.84E-05	6.17E-05	0.00154171	0.0138754	0.0246674
2563	9.82E-05	6.15E-05	0.00153765	0.0138389	0.0246025
2564	9.80E-05	6.13E-05	0.0015336	0.0138024	0.0245377
2565	9.78E-05	6.12E-05	0.00152957	0.0137661	0.0244731
2566	9.76E-05	6.10E-05	0.00152554	0.0137299	0.0244087
2567	9.74E-05	6.09E-05	0.00152153	0.0136938	0.0243445
2568	9.72E-05	6.07E-05	0.00151753	0.0136578	0.0242805
2569	9.70E-05	6.05E-05	0.00151354	0.0136219	0.0242167
2570	9.68E-05	6.04E-05	0.00150956	0.0135861	0.024153
2571	9.66E-05	6.02E-05	0.0015056	0.0135504	0.0240896
2572	9.64E-05	6.01E-05	0.00150165	0.0135148	0.0240263
2573	9.62E-05	5.99E-05	0.0014977	0.0134793	0.0239633
2574	9.60E-05	5.98E-05	0.00149377	0.013444	0.0239004
2575	9.58E-05	5.96E-05	0.00148985	0.0134087	0.0238377
2576	9.56E-05	5.94E-05	0.00148595	0.0133735	0.0237752
2577	9.54E-05	5.93E-05	0.00148205	0.0133385	0.0237128
2578	9.52E-05	5.91E-05	0.00147817	0.0133035	0.0236507
2579	9.50E-05	5.90E-05	0.0014743	0.0132687	0.0235888
2580	9.48E-05	5.88E-05	0.00147044	0.0132339	0.023527
2581	9.46E-05	5.87E-05	0.00146659	0.0131993	0.0234654
2582	9.44E-05	5.85E-05	0.00146275	0.0131647	0.023404
2583	9.42E-05	5.84E-05	0.00145892	0.0131303	0.0233428
2584	9.41E-05	5.82E-05	0.00145511	0.013096	0.0232817
2585	9.39E-05	5.81E-05	0.0014513	0.0130617	0.0232209
2586	9.37E-05	5.79E-05	0.00144751	0.0130276	0.0231602
2587	9.35E-05	5.77E-05	0.00144373	0.0129936	0.0230997
2588	9.33E-05	5.76E-05	0.00143996	0.0129596	0.0230394
2589	9.31E-05	5.74E-05	0.0014362	0.0129258	0.0229792
2590	9.29E-05	5.73E-05	0.00143245	0.0128921	0.0229192
2591	9.27E-05	5.71E-05	0.00142872	0.0128584	0.0228595
2592	9.26E-05	5.70E-05	0.00142499	0.0128249	0.0227998

2593	9.24E-05	5.69E-05	0.00142128	0.0127915	0.0227404
2594	9.22E-05	5.67E-05	0.00141757	0.0127581	0.0226811
2595	9.20E-05	5.66E-05	0.00141388	0.0127249	0.0226221
2596	9.18E-05	5.64E-05	0.0014102	0.0126918	0.0225631
2597	9.16E-05	5.63E-05	0.00140652	0.0126587	0.0225044
2598	9.14E-05	5.61E-05	0.00140286	0.0126258	0.0224458
2599	9.13E-05	5.60E-05	0.00139921	0.0125929	0.0223874
2600	9.11E-05	5.58E-05	0.00139558	0.0125602	0.0223292
2601	9.09E-05	5.57E-05	0.00139195	0.0125275	0.0222712
2602	9.07E-05	5.55E-05	0.00138833	0.012495	0.0222133
2603	9.05E-05	5.54E-05	0.00138472	0.0124625	0.0221556
2604	9.03E-05	5.52E-05	0.00138113	0.0124301	0.022098
2605	9.02E-05	5.51E-05	0.00137754	0.0123979	0.0220406
2606	9.00E-05	5.50E-05	0.00137397	0.0123657	0.0219834
2607	8.98E-05	5.48E-05	0.0013704	0.0123336	0.0219264
2608	8.96E-05	5.47E-05	0.00136685	0.0123016	0.0218695
2609	8.94E-05	5.45E-05	0.0013633	0.0122697	0.0218128
2610	8.93E-05	5.44E-05	0.00135977	0.0122379	0.0217563
2611	8.91E-05	5.42E-05	0.00135625	0.0122062	0.0216999
2612	8.89E-05	5.41E-05	0.00135273	0.0121746	0.0216437
2613	8.87E-05	5.40E-05	0.00134923	0.0121431	0.0215877
2614	8.85E-05	5.38E-05	0.00134574	0.0121116	0.0215318
2615	8.84E-05	5.37E-05	0.00134226	0.0120803	0.0214761
2616	8.82E-05	5.36E-05	0.00133878	0.0120491	0.0214206
2617	8.80E-05	5.34E-05	0.00133532	0.0120179	0.0213652
2618	8.78E-05	5.33E-05	0.00133187	0.0119868	0.0213099
2619	8.77E-05	5.31E-05	0.00132843	0.0119559	0.0212549
2620	8.75E-05	5.30E-05	0.001325	0.011925	0.0212
2621	8.73E-05	5.29E-05	0.00132158	0.0118942	0.0211452
2622	8.71E-05	5.27E-05	0.00131817	0.0118635	0.0210907
2623	8.70E-05	5.26E-05	0.00131476	0.0118329	0.0210362
2624	8.68E-05	5.25E-05	0.00131137	0.0118024	0.020982
2625	8.66E-05	5.23E-05	0.00130799	0.0117719	0.0209279
2626	8.64E-05	5.22E-05	0.00130462	0.0117416	0.0208739
2627	8.63E-05	5.21E-05	0.00130126	0.0117113	0.0208201
2628	8.61E-05	5.19E-05	0.00129791	0.0116812	0.0207665
2629	8.59E-05	5.18E-05	0.00129456	0.0116511	0.020713
2630	8.58E-05	5.16E-05	0.00129123	0.0116211	0.0206597
2631	8.56E-05	5.15E-05	0.00128791	0.0115912	0.0206065
2632	8.54E-05	5.14E-05	0.00128459	0.0115614	0.0205535
2633	8.52E-05	5.13E-05	0.00128129	0.0115316	0.0205007
2634	8.51E-05	5.11E-05	0.001278	0.011502	0.020448
2635	8.49E-05	5.10E-05	0.00127471	0.0114724	0.0203954
2636	8.47E-05	5.09E-05	0.00127144	0.0114429	0.020343
2637	8.46E-05	5.07E-05	0.00126817	0.0114136	0.0202908
2638	8.44E-05	5.06E-05	0.00126492	0.0113843	0.0202387
2639	8.42E-05	5.05E-05	0.00126167	0.011355	0.0201867
2640	8.41E-05	5.03E-05	0.00125843	0.0113259	0.0201349
2641	8.39E-05	5.02E-05	0.00125521	0.0112969	0.0200833
2642	8.37E-05	5.01E-05	0.00125199	0.0112679	0.0200318
2643	8.36E-05	5.00E-05	0.00124878	0.011239	0.0199805
2644	8.34E-05	4.98E-05	0.00124558	0.0112102	0.0199293
2645	8.32E-05	4.97E-05	0.00124239	0.0111815	0.0198782
2646	8.31E-05	4.96E-05	0.00123921	0.0111529	0.0198274
2647	8.29E-05	4.94E-05	0.00123604	0.0111243	0.0197766
2648	8.27E-05	4.93E-05	0.00123288	0.0110959	0.019726
2649	8.26E-05	4.92E-05	0.00122972	0.0110675	0.0196755
2650	8.24E-05	4.91E-05	0.00122658	0.0110392	0.0196252
2651	8.22E-05	4.89E-05	0.00122344	0.0110111	0.0195751
2652	8.21E-05	4.88E-05	0.00122032	0.0109828	0.0195251
2653	8.19E-05	4.87E-05	0.0012172	0.0109548	0.0194752
2654	8.18E-05	4.86E-05	0.00121409	0.0109268	0.0194255
2655	8.16E-05	4.84E-05	0.00121099	0.0108989	0.0193759
2656	8.14E-05	4.83E-05	0.0012079	0.0108711	0.0193264
2657	8.13E-05	4.82E-05	0.00120482	0.0108434	0.0192771
2658	8.11E-05	4.81E-05	0.00120175	0.0108157	0.019228
2659	8.10E-05	4.79E-05	0.00119869	0.0107882	0.019179
2660	8.08E-05	4.78E-05	0.00119563	0.0107607	0.0191301
2661	8.06E-05	4.77E-05	0.00119258	0.0107333	0.0190814
2662	8.05E-05	4.76E-05	0.00118955	0.0107059	0.0190328
2663	8.03E-05	4.75E-05	0.00118652	0.0106787	0.0189843
2664	8.02E-05	4.73E-05	0.0011835	0.0106515	0.018936
2665	8.00E-05	4.72E-05	0.00118049	0.0106244	0.0188878
2666	7.98E-05	4.71E-05	0.00117749	0.0105974	0.0188398
2667	7.97E-05	4.70E-05	0.00117449	0.0105704	0.0187919
2668	7.95E-05	4.69E-05	0.00117151	0.0105436	0.0187441
2669	7.94E-05	4.67E-05	0.00116853	0.0105168	0.0186965
2670	7.92E-05	4.66E-05	0.00116557	0.0104901	0.018649
2671	7.91E-05	4.65E-05	0.00116261	0.0104635	0.0186017
2672	7.89E-05	4.64E-05	0.00115966	0.0104369	0.0185545
2673	7.88E-05	4.63E-05	0.00115671	0.0104104	0.0185074
2674	7.86E-05	4.62E-05	0.00115378	0.010384	0.0184605
2675	7.84E-05	4.60E-05	0.00115085	0.0103577	0.0184137
2676	7.83E-05	4.59E-05	0.00114794	0.0103314	0.0183667
2677	7.81E-05	4.58E-05	0.00114503	0.0103053	0.0183205
2678	7.80E-05	4.57E-05	0.00114213	0.0102792	0.0182741
2679	7.78E-05	4.56E-05	0.00113924	0.0102531	0.0182278
2680	7.77E-05	4.55E-05	0.00113635	0.0102272	0.0181816
2681	7.75E-05	4.53E-05	0.00113348	0.0102013	0.0181356
2682	7.74E-05	4.52E-05	0.00113061	0.0101755	0.0180898
2683	7.72E-05	4.51E-05	0.00112775	0.0101498	0.018044
2684	7.71E-05	4.50E-05	0.0011249	0.0101241	0.0179984
2685	7.69E-05	4.49E-05	0.00112206	0.0100985	0.0179529
2686	7.68E-05	4.48E-05	0.00111922	0.010073	0.0179076
2687	7.66E-05	4.47E-05	0.0011164	0.0100476	0.0178624

2688	7.65E-05	4.45E-05	0.00111358	0.0100222	0.0178173
2689	7.63E-05	4.44E-05	0.00111077	0.00999692	0.0177723
2690	7.62E-05	4.43E-05	0.00110797	0.00997171	0.0177275
2691	7.60E-05	4.42E-05	0.00110517	0.00994656	0.0176828
2692	7.59E-05	4.41E-05	0.00110239	0.00992148	0.0176382
2693	7.57E-05	4.40E-05	0.00109961	0.00989648	0.0175937
2694	7.56E-05	4.39E-05	0.00109684	0.00987155	0.0175494
2695	7.54E-05	4.38E-05	0.00109408	0.00984669	0.0175052
2696	7.53E-05	4.37E-05	0.00109132	0.0098219	0.0174611
2697	7.51E-05	4.35E-05	0.00108858	0.00979718	0.0174172
2698	7.50E-05	4.34E-05	0.00108584	0.00977253	0.0173734
2699	7.48E-05	4.33E-05	0.00108311	0.00974795	0.0173297
2700	7.47E-05	4.32E-05	0.00108038	0.00972344	0.0172861
2701	7.45E-05	4.31E-05	0.00107767	0.009699	0.0172427
2702	7.44E-05	4.30E-05	0.00107496	0.00967463	0.0171993
2703	7.43E-05	4.29E-05	0.00107226	0.00965033	0.0171561
2704	7.41E-05	4.28E-05	0.00106957	0.0096261	0.0171131
2705	7.40E-05	4.27E-05	0.00106688	0.00960194	0.0170701
2706	7.38E-05	4.26E-05	0.0010642	0.00957784	0.0170273
2707	7.37E-05	4.25E-05	0.00106154	0.00955382	0.0169846
2708	7.35E-05	4.24E-05	0.00105887	0.00952986	0.016942
2709	7.34E-05	4.22E-05	0.00105622	0.00950597	0.0168995
2710	7.32E-05	4.21E-05	0.00105357	0.00948215	0.0168572
2711	7.31E-05	4.20E-05	0.00105093	0.0094584	0.0168149
2712	7.30E-05	4.19E-05	0.0010483	0.00943471	0.0167728
2713	7.28E-05	4.18E-05	0.00104568	0.00941109	0.0167308
2714	7.27E-05	4.17E-05	0.00104306	0.00938754	0.016689
2715	7.25E-05	4.16E-05	0.00104045	0.00936406	0.0166472
2716	7.24E-05	4.15E-05	0.00103785	0.00934064	0.0166056
2717	7.23E-05	4.14E-05	0.00103525	0.00931728	0.0165641
2718	7.21E-05	4.13E-05	0.00103267	0.009294	0.0165227
2719	7.20E-05	4.12E-05	0.00103009	0.00927078	0.0164814
2720	7.18E-05	4.11E-05	0.00102751	0.00924763	0.0164402
2721	7.17E-05	4.10E-05	0.00102495	0.00922454	0.0163992
2722	7.16E-05	4.09E-05	0.00102239	0.00920151	0.0163582
2723	7.14E-05	4.08E-05	0.00101984	0.00917855	0.0163174
2724	7.13E-05	4.07E-05	0.0010173	0.00915566	0.0162767
2725	7.11E-05	4.06E-05	0.00101476	0.00913283	0.0162361
2726	7.10E-05	4.05E-05	0.00101223	0.00911007	0.0161957
2727	7.09E-05	4.04E-05	0.00100971	0.00908737	0.0161553
2728	7.07E-05	4.03E-05	0.00100719	0.00906473	0.0161151
2729	7.06E-05	4.02E-05	0.00100468	0.00904216	0.0160749
2730	7.05E-05	4.01E-05	0.00100218	0.00901965	0.0160349
2731	7.03E-05	4.00E-05	0.000999689	0.0089972	0.015995
2732	7.02E-05	3.99E-05	0.000997202	0.00897482	0.0159552
2733	7.01E-05	3.98E-05	0.000994722	0.0089525	0.0159156
2734	6.99E-05	3.97E-05	0.00099225	0.00893025	0.015876
2735	6.98E-05	3.96E-05	0.000989784	0.00890805	0.0158365
2736	6.96E-05	3.95E-05	0.000987325	0.00888592	0.0157972
2737	6.95E-05	3.94E-05	0.000984873	0.00886385	0.015758
2738	6.94E-05	3.93E-05	0.000982428	0.00884185	0.0157188
2739	6.92E-05	3.92E-05	0.000979989	0.0088199	0.0156798
2740	6.91E-05	3.91E-05	0.000977558	0.00879802	0.0156409
2741	6.90E-05	3.90E-05	0.000975133	0.0087762	0.0156021
2742	6.88E-05	3.89E-05	0.000972716	0.00875444	0.0155634
2743	6.87E-05	3.88E-05	0.000970304	0.00873274	0.0155249
2744	6.86E-05	3.87E-05	0.0009679	0.0087111	0.0154864
2745	6.85E-05	3.86E-05	0.000965503	0.00868953	0.015448
2746	6.83E-05	3.85E-05	0.000963112	0.00866801	0.0154098
2747	6.82E-05	3.84E-05	0.000960728	0.00864655	0.0153716
2748	6.81E-05	3.83E-05	0.000958351	0.00862516	0.0153336
2749	6.79E-05	3.82E-05	0.00095598	0.00860382	0.0152957
2750	6.78E-05	3.81E-05	0.000953616	0.00858254	0.0152579
2751	6.77E-05	3.81E-05	0.000951259	0.00856133	0.0152201
2752	6.75E-05	3.80E-05	0.000948908	0.00854017	0.0151825
2753	6.74E-05	3.79E-05	0.000946564	0.00851907	0.015145
2754	6.73E-05	3.78E-05	0.000944226	0.00849803	0.0151076
2755	6.71E-05	3.77E-05	0.000941895	0.00847705	0.0150703
2756	6.70E-05	3.76E-05	0.00093957	0.00845613	0.0150331
2757	6.69E-05	3.75E-05	0.000937252	0.00843527	0.014996
2758	6.68E-05	3.74E-05	0.000934941	0.00841446	0.014959
2759	6.66E-05	3.73E-05	0.000932635	0.00839372	0.0149222
2760	6.65E-05	3.72E-05	0.000930337	0.00837303	0.0148854
2761	6.64E-05	3.71E-05	0.000928044	0.0083524	0.0148487
2762	6.63E-05	3.70E-05	0.000925758	0.00833183	0.0148121
2763	6.61E-05	3.69E-05	0.000923479	0.00831131	0.0147757
2764	6.60E-05	3.68E-05	0.000921206	0.00829085	0.0147393
2765	6.59E-05	3.68E-05	0.000918939	0.00827045	0.014703
2766	6.57E-05	3.67E-05	0.000916678	0.00825011	0.0146669
2767	6.56E-05	3.66E-05	0.000914424	0.00822982	0.0146308
2768	6.55E-05	3.65E-05	0.000912176	0.00820959	0.0145948
2769	6.54E-05	3.64E-05	0.000909935	0.00818941	0.014559
2770	6.52E-05	3.63E-05	0.000907699	0.00816929	0.0145232
2771	6.51E-05	3.62E-05	0.00090547	0.00814923	0.0144875
2772	6.50E-05	3.61E-05	0.000903247	0.00812922	0.014452
2773	6.49E-05	3.60E-05	0.00090103	0.00810927	0.0144165
2774	6.47E-05	3.60E-05	0.00089882	0.00808938	0.0143811
2775	6.46E-05	3.59E-05	0.000896615	0.00806954	0.0143458
2776	6.45E-05	3.58E-05	0.000894417	0.00804975	0.0143107
2777	6.44E-05	3.57E-05	0.000892224	0.00803002	0.0142756
2778	6.43E-05	3.56E-05	0.000890038	0.00801035	0.0142406
2779	6.41E-05	3.55E-05	0.000887858	0.00799072	0.0142057
2780	6.40E-05	3.54E-05	0.000885684	0.00797116	0.0141709
2781	6.39E-05	3.53E-05	0.000883516	0.00795165	0.0141363
2782	6.38E-05	3.53E-05	0.000881354	0.00793219	0.0141017

2783	6.36E-05	3.52E-05	0.000879198	0.00791278	0.0140672
2784	6.35E-05	3.51E-05	0.000877048	0.00789343	0.0140328
2785	6.34E-05	3.50E-05	0.000874904	0.00787414	0.0139985
2786	6.33E-05	3.49E-05	0.000872766	0.00785489	0.0139643
2787	6.32E-05	3.48E-05	0.000870634	0.0078357	0.0139301
2788	6.30E-05	3.47E-05	0.000868508	0.00781657	0.0138961
2789	6.29E-05	3.47E-05	0.000866387	0.00779748	0.0138622
2790	6.28E-05	3.46E-05	0.000864273	0.00777845	0.0138284
2791	6.27E-05	3.45E-05	0.000862164	0.00775947	0.0137946
2792	6.26E-05	3.44E-05	0.000860061	0.00774055	0.013761
2793	6.24E-05	3.43E-05	0.000857964	0.00772167	0.0137274
2794	6.23E-05	3.42E-05	0.000855873	0.00770285	0.013694
2795	6.22E-05	3.42E-05	0.000853787	0.00768408	0.0136606
2796	6.21E-05	3.41E-05	0.000851708	0.00766537	0.0136273
2797	6.20E-05	3.40E-05	0.000849633	0.0076467	0.0135941
2798	6.19E-05	3.39E-05	0.000847565	0.00762809	0.013561
2799	6.17E-05	3.38E-05	0.000845503	0.00760952	0.013528
2800	6.16E-05	3.37E-05	0.000843446	0.00759101	0.0134951
2801	6.15E-05	3.37E-05	0.000841395	0.00757255	0.0134623
2802	6.14E-05	3.36E-05	0.000839349	0.00755414	0.0134296
2803	6.13E-05	3.35E-05	0.000837309	0.00753578	0.0133969
2804	6.12E-05	3.34E-05	0.000835275	0.00751748	0.0133644
2805	6.10E-05	3.33E-05	0.000833246	0.00749922	0.0133319
2806	6.09E-05	3.32E-05	0.000831223	0.00748101	0.0132996
2807	6.08E-05	3.32E-05	0.000829206	0.00746285	0.0132673
2808	6.07E-05	3.31E-05	0.000827194	0.00744474	0.0132351
2809	6.06E-05	3.30E-05	0.000825187	0.00742669	0.013203
2810	6.05E-05	3.29E-05	0.000823187	0.00740868	0.013171
2811	6.04E-05	3.28E-05	0.000821191	0.00739072	0.0131391
2812	6.02E-05	3.28E-05	0.000819201	0.00737281	0.0131072
2813	6.01E-05	3.27E-05	0.000817217	0.00735495	0.0130755
2814	6.00E-05	3.26E-05	0.000815238	0.00733714	0.0130438
2815	5.99E-05	3.25E-05	0.000813264	0.00731938	0.0130122
2816	5.98E-05	3.25E-05	0.000811296	0.00730166	0.0129807
2817	5.97E-05	3.24E-05	0.000809333	0.007284	0.0129493
2818	5.96E-05	3.23E-05	0.000807376	0.00726638	0.012918
2819	5.95E-05	3.22E-05	0.000805424	0.00724881	0.0128868
2820	5.93E-05	3.21E-05	0.000803477	0.00723129	0.0128556
2821	5.92E-05	3.21E-05	0.000801536	0.00721382	0.0128246
2822	5.91E-05	3.20E-05	0.0007996	0.0071964	0.0127936
2823	5.90E-05	3.19E-05	0.000797669	0.00717902	0.0127627
2824	5.89E-05	3.18E-05	0.000795744	0.00716169	0.0127319
2825	5.88E-05	3.18E-05	0.000793823	0.00714441	0.0127012
2826	5.87E-05	3.17E-05	0.000791909	0.00712718	0.0126705
2827	5.86E-05	3.16E-05	0.000789999	0.00710999	0.01264
2828	5.85E-05	3.15E-05	0.000788095	0.00709285	0.0126095
2829	5.83E-05	3.14E-05	0.000786195	0.00707576	0.0125791
2830	5.82E-05	3.14E-05	0.000784301	0.00705871	0.0125488
2831	5.81E-05	3.13E-05	0.000782412	0.00704171	0.0125186
2832	5.80E-05	3.12E-05	0.000780529	0.00702476	0.0124885
2833	5.79E-05	3.11E-05	0.00077865	0.00700785	0.0124584
2834	5.78E-05	3.11E-05	0.000776777	0.00699099	0.0124284
2835	5.77E-05	3.10E-05	0.000774908	0.00697417	0.0123985
2836	5.76E-05	3.09E-05	0.000773045	0.00695741	0.0123687
2837	5.75E-05	3.08E-05	0.000771187	0.00694068	0.012339
2838	5.74E-05	3.08E-05	0.000769334	0.006924	0.0123093
2839	5.73E-05	3.07E-05	0.000767486	0.00690737	0.0122798
2840	5.72E-05	3.06E-05	0.000765643	0.00689078	0.0122503
2841	5.71E-05	3.06E-05	0.000763805	0.00687424	0.0122209
2842	5.69E-05	3.05E-05	0.000761972	0.00685775	0.0121915
2843	5.68E-05	3.04E-05	0.000760144	0.00684129	0.0121623
2844	5.67E-05	3.03E-05	0.000758321	0.00682489	0.0121331
2845	5.66E-05	3.03E-05	0.000756502	0.00680852	0.012104
2846	5.65E-05	3.02E-05	0.000754689	0.00679221	0.012075
2847	5.64E-05	3.01E-05	0.000752881	0.00677593	0.0120461
2848	5.63E-05	3.00E-05	0.000751078	0.0067597	0.0120172
2849	5.62E-05	3.00E-05	0.000749279	0.00674351	0.0119885
2850	5.61E-05	2.99E-05	0.000747486	0.00672737	0.0119598
2851	5.60E-05	2.98E-05	0.000745697	0.00671128	0.0119312
2852	5.59E-05	2.98E-05	0.000743914	0.00669522	0.0119026
2853	5.58E-05	2.97E-05	0.000742135	0.00667921	0.0118742
2854	5.57E-05	2.96E-05	0.000740361	0.00666324	0.0118458
2855	5.56E-05	2.95E-05	0.000738591	0.00664732	0.0118175
2856	5.55E-05	2.95E-05	0.000736827	0.00663144	0.0117892
2857	5.54E-05	2.94E-05	0.000735067	0.0066156	0.0117611
2858	5.53E-05	2.93E-05	0.000733312	0.00659981	0.011733
2859	5.52E-05	2.93E-05	0.000731562	0.00658405	0.011705
2860	5.51E-05	2.92E-05	0.000729816	0.00656835	0.0116771
2861	5.50E-05	2.91E-05	0.000728075	0.00655268	0.0116492
2862	5.49E-05	2.91E-05	0.000726339	0.00653705	0.0116214
2863	5.48E-05	2.90E-05	0.000724608	0.00652147	0.0115937
2864	5.47E-05	2.89E-05	0.000722881	0.00650593	0.0115661
2865	5.46E-05	2.88E-05	0.000721159	0.00649043	0.0115385
2866	5.45E-05	2.88E-05	0.000719442	0.00647498	0.0115111
2867	5.44E-05	2.87E-05	0.000717729	0.00645956	0.0114837
2868	5.43E-05	2.86E-05	0.000716021	0.00644419	0.0114563
2869	5.42E-05	2.86E-05	0.000714318	0.00642886	0.0114291
2870	5.41E-05	2.85E-05	0.000712619	0.00641357	0.0114019
2871	5.40E-05	2.84E-05	0.000710924	0.00639832	0.0113748
2872	5.39E-05	2.84E-05	0.000709235	0.00638311	0.0113478
2873	5.38E-05	2.83E-05	0.000707549	0.00636794	0.0113208
2874	5.37E-05	2.82E-05	0.000705869	0.00635282	0.0112939
2875	5.36E-05	2.82E-05	0.000704193	0.00633773	0.0112671
2876	5.35E-05	2.81E-05	0.000702521	0.00632269	0.0112403
2877	5.34E-05	2.80E-05	0.000700854	0.00630769	0.0112137

2878	5.33E-05	2.80E-05	0.000699191	0.00629272	0.0111871
2879	5.32E-05	2.79E-05	0.000697533	0.0062778	0.0111605
2880	5.31E-05	2.78E-05	0.00069588	0.00626292	0.0111341
2881	5.30E-05	2.78E-05	0.00069423	0.00624807	0.0111077
2882	5.29E-05	2.77E-05	0.000692586	0.00623327	0.0110814
2883	5.28E-05	2.76E-05	0.000690945	0.00621851	0.0110551
2884	5.27E-05	2.76E-05	0.000689309	0.00620378	0.0110289
2885	5.26E-05	2.75E-05	0.000687678	0.0061891	0.0110028
2886	5.25E-05	2.74E-05	0.00068605	0.00617445	0.0109768
2887	5.24E-05	2.74E-05	0.000684428	0.00615985	0.0109508
2888	5.23E-05	2.73E-05	0.000682809	0.00614528	0.0109249
2889	5.22E-05	2.72E-05	0.000681195	0.00613075	0.0108991
2890	5.21E-05	2.72E-05	0.000679585	0.00611627	0.0108734
2891	5.20E-05	2.71E-05	0.00067798	0.00610182	0.0108477
2892	5.19E-05	2.71E-05	0.000676379	0.00608741	0.0108221
2893	5.18E-05	2.70E-05	0.000674782	0.00607303	0.0107965
2894	5.17E-05	2.69E-05	0.000673189	0.0060587	0.010771
2895	5.16E-05	2.69E-05	0.000671601	0.0060444	0.0107456
2896	5.15E-05	2.68E-05	0.000670017	0.00603015	0.0107203
2897	5.14E-05	2.67E-05	0.000668437	0.00601593	0.010695
2898	5.13E-05	2.67E-05	0.000666861	0.00600175	0.0106698
2899	5.12E-05	2.66E-05	0.000665289	0.00598761	0.0106446
2900	5.11E-05	2.65E-05	0.000663722	0.0059735	0.0106196
2901	5.10E-05	2.65E-05	0.000662159	0.00595943	0.0105945
2902	5.10E-05	2.64E-05	0.000660606	0.0059454	0.0105696
2903	5.09E-05	2.64E-05	0.000659046	0.00593141	0.0105447
2904	5.08E-05	2.63E-05	0.000657495	0.00591746	0.0105199
2905	5.07E-05	2.62E-05	0.000655949	0.00590354	0.0104952
2906	5.06E-05	2.62E-05	0.000654406	0.00588966	0.0104705
2907	5.05E-05	2.61E-05	0.000652868	0.00587581	0.0104459
2908	5.04E-05	2.61E-05	0.000651334	0.00586201	0.0104213
2909	5.03E-05	2.60E-05	0.000649804	0.00584824	0.0103969
2910	5.02E-05	2.59E-05	0.000648278	0.00583451	0.0103725
2911	5.01E-05	2.59E-05	0.000646756	0.00582081	0.0103481
2912	5.00E-05	2.58E-05	0.000645239	0.00580715	0.0103238
2913	4.99E-05	2.57E-05	0.000643725	0.00579352	0.0102996
2914	4.98E-05	2.57E-05	0.000642215	0.00577994	0.0102754
2915	4.98E-05	2.56E-05	0.000640709	0.00576638	0.0102514
2916	4.97E-05	2.56E-05	0.000639208	0.00575287	0.0102273
2917	4.96E-05	2.55E-05	0.00063771	0.00573939	0.0102034
2918	4.95E-05	2.54E-05	0.000636216	0.00572595	0.0101795
2919	4.94E-05	2.54E-05	0.000634727	0.00571254	0.0101556
2920	4.93E-05	2.53E-05	0.000633241	0.00569917	0.0101319
2921	4.92E-05	2.53E-05	0.000631759	0.00568583	0.0101081
2922	4.91E-05	2.52E-05	0.000630281	0.00567253	0.0100845
2923	4.90E-05	2.52E-05	0.000628807	0.00565926	0.0100609
2924	4.89E-05	2.51E-05	0.000627337	0.00564603	0.0100374
2925	4.89E-05	2.50E-05	0.000625871	0.00563284	0.0100139
2926	4.88E-05	2.50E-05	0.000624409	0.00561968	0.00999054
2927	4.87E-05	2.49E-05	0.00062295	0.00560655	0.0099672
2928	4.86E-05	2.49E-05	0.000621496	0.00559346	0.00994393
2929	4.85E-05	2.48E-05	0.000620045	0.0055804	0.00992072
2930	4.84E-05	2.47E-05	0.000618598	0.00556738	0.00989757
2931	4.83E-05	2.47E-05	0.000617155	0.00555439	0.00987448
2932	4.82E-05	2.46E-05	0.000615716	0.00554144	0.00985145
2933	4.81E-05	2.46E-05	0.00061428	0.00552852	0.00982848
2934	4.81E-05	2.45E-05	0.000612849	0.00551564	0.00980558
2935	4.80E-05	2.45E-05	0.000611421	0.00550279	0.00978273
2936	4.79E-05	2.44E-05	0.000609997	0.00548997	0.00975995
2937	4.78E-05	2.43E-05	0.000608577	0.00547719	0.00973722
2938	4.77E-05	2.43E-05	0.00060716	0.00546444	0.00971456
2939	4.76E-05	2.42E-05	0.000605747	0.00545173	0.00969196
2940	4.75E-05	2.42E-05	0.000604338	0.00543904	0.00966941
2941	4.75E-05	2.41E-05	0.000602933	0.0054264	0.00964693
2942	4.74E-05	2.41E-05	0.000601531	0.00541378	0.0096245
2943	4.73E-05	2.40E-05	0.000600133	0.0054012	0.00960213
2944	4.72E-05	2.39E-05	0.000598739	0.00538865	0.00957983
2945	4.71E-05	2.39E-05	0.000597349	0.00537614	0.00955758
2946	4.70E-05	2.38E-05	0.000595962	0.00536366	0.00953539
2947	4.69E-05	2.38E-05	0.000594578	0.00535121	0.00951325
2948	4.69E-05	2.37E-05	0.000593199	0.00533879	0.00949118
2949	4.68E-05	2.37E-05	0.000591823	0.00532641	0.00946916
2950	4.67E-05	2.36E-05	0.000590451	0.00531406	0.00944721
2951	4.66E-05	2.36E-05	0.000589082	0.00530174	0.00942531
2952	4.65E-05	2.35E-05	0.000587717	0.00528945	0.00940347
2953	4.64E-05	2.35E-05	0.000586355	0.0052772	0.00938168
2954	4.64E-05	2.34E-05	0.000584997	0.00526497	0.00935995
2955	4.63E-05	2.33E-05	0.000583643	0.00525278	0.00933828
2956	4.62E-05	2.33E-05	0.000582292	0.00524063	0.00931667
2957	4.61E-05	2.32E-05	0.000580945	0.0052285	0.00929511
2958	4.60E-05	2.32E-05	0.000579601	0.00521641	0.00927361
2959	4.59E-05	2.31E-05	0.000578261	0.00520434	0.00925217
2960	4.59E-05	2.31E-05	0.000576924	0.00519232	0.00923078
2961	4.58E-05	2.30E-05	0.000575591	0.00518032	0.00920945
2962	4.57E-05	2.30E-05	0.000574261	0.00516835	0.00918818
2963	4.56E-05	2.29E-05	0.000572935	0.00515641	0.00916696
2964	4.55E-05	2.29E-05	0.000571612	0.00514451	0.00914579
2965	4.54E-05	2.28E-05	0.000570293	0.00513263	0.00912468
2966	4.54E-05	2.28E-05	0.000568977	0.00512079	0.00910363
2967	4.53E-05	2.27E-05	0.000567664	0.00510898	0.00908263
2968	4.52E-05	2.27E-05	0.000566356	0.0050972	0.00906169
2969	4.51E-05	2.26E-05	0.00056505	0.00508545	0.0090408
2970	4.50E-05	2.25E-05	0.000563748	0.00507373	0.00901997
2971	4.50E-05	2.25E-05	0.000562449	0.00506204	0.00899919
2972	4.49E-05	2.24E-05	0.000561154	0.00505039	0.00897846

2973	4.48E-05	2.24E-05	0.000559862	0.00503876	0.00895779
2974	4.47E-05	2.23E-05	0.000558574	0.00502716	0.00893718
2975	4.46E-05	2.23E-05	0.000557288	0.00501559	0.00891661
2976	4.46E-05	2.22E-05	0.000556007	0.00500406	0.00889611
2977	4.45E-05	2.22E-05	0.000554728	0.00499255	0.00887565
2978	4.44E-05	2.21E-05	0.000553453	0.00498108	0.00885525
2979	4.43E-05	2.21E-05	0.000552181	0.00496963	0.0088349
2980	4.42E-05	2.20E-05	0.000550913	0.00495821	0.0088146
2981	4.42E-05	2.20E-05	0.000549647	0.00494683	0.00879436
2982	4.41E-05	2.19E-05	0.000548386	0.00493547	0.00877417
2983	4.40E-05	2.19E-05	0.000547127	0.00492414	0.00875403
2984	4.39E-05	2.18E-05	0.000545872	0.00491285	0.00873395
2985	4.38E-05	2.18E-05	0.00054462	0.00490158	0.00871391
2986	4.38E-05	2.17E-05	0.000543371	0.00489034	0.00869393
2987	4.37E-05	2.17E-05	0.000542125	0.00487913	0.008674
2988	4.36E-05	2.16E-05	0.000540883	0.00486795	0.00865413
2989	4.35E-05	2.16E-05	0.000539644	0.00485679	0.0086343
2990	4.34E-05	2.15E-05	0.000538408	0.00484567	0.00861453
2991	4.34E-05	2.15E-05	0.000537175	0.00483458	0.00859481
2992	4.33E-05	2.14E-05	0.000535946	0.00482351	0.00857514
2993	4.32E-05	2.14E-05	0.00053472	0.00481248	0.00855552
2994	4.31E-05	2.13E-05	0.000533497	0.00480147	0.00853595
2995	4.31E-05	2.13E-05	0.000532277	0.00479049	0.00851643
2996	4.30E-05	2.12E-05	0.00053106	0.00477954	0.00849696
2997	4.29E-05	2.12E-05	0.000529847	0.00476862	0.00847754
2998	4.28E-05	2.11E-05	0.000528636	0.00475773	0.00845818
2999	4.28E-05	2.11E-05	0.000527429	0.00474686	0.00843886
3000	4.27E-05	2.10E-05	0.000526225	0.00473602	0.0084196

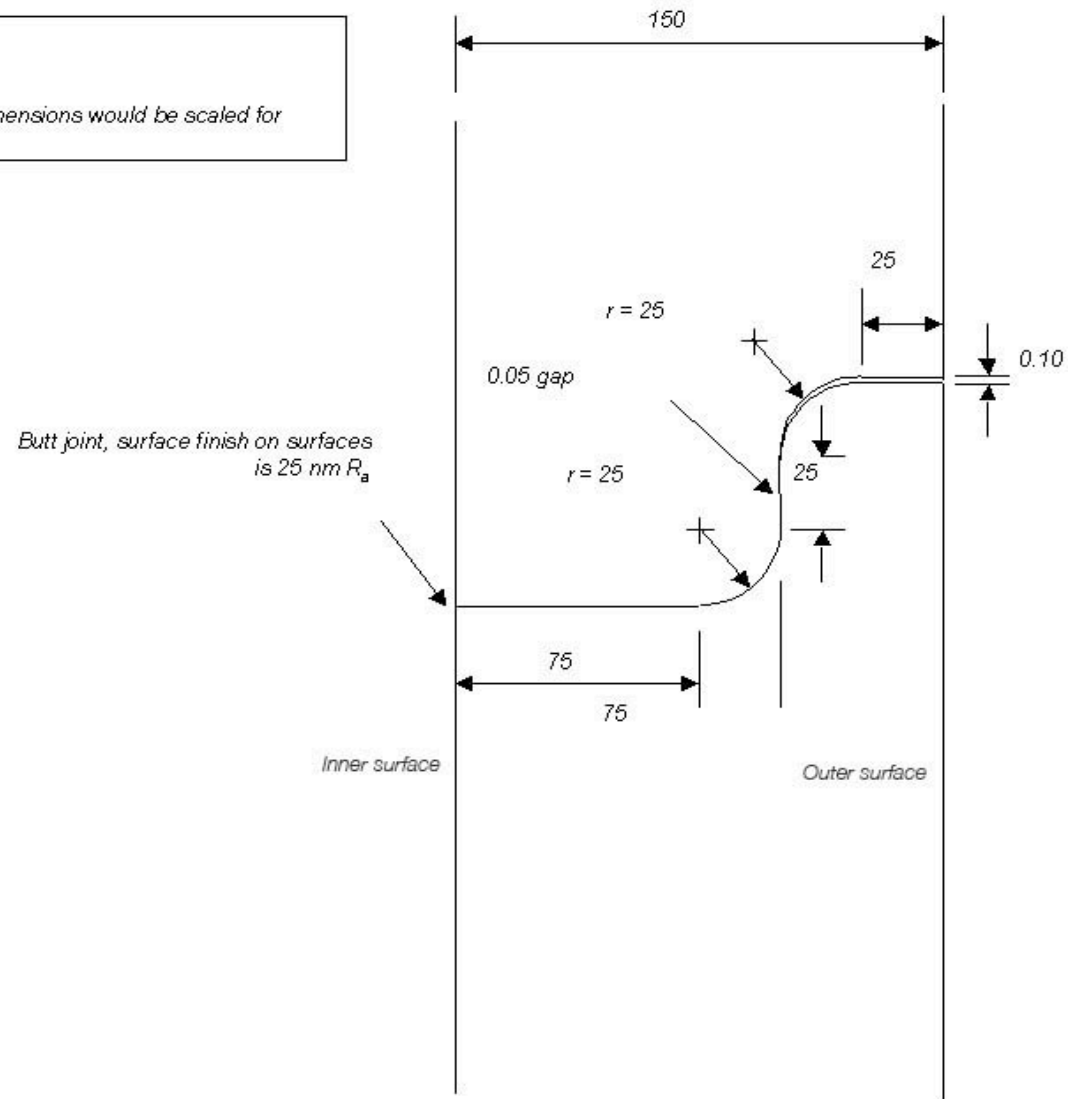
Alternate Capsule Requirements - Uniform Be(Cu)

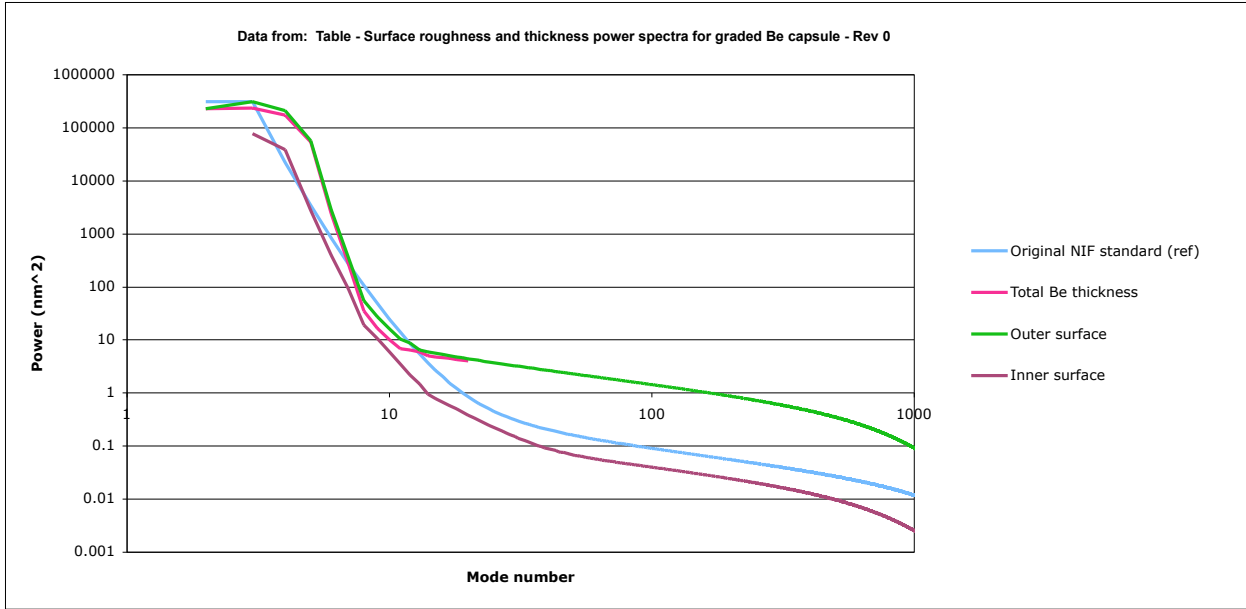
S/N	Rev	WBS	Component	Title	short req't	Requirement Text
UB1	0	I.4.1.1	Be (uniform) Capsule	Applicability of other requirements		All requirements in table "Point Design Req'ts" except those designated for component "Layered Be capsule" shall apply to the uniform Be capsule
UB2	0	I.4.1.1.2.1	Be (uniform) capsule	Ablator composition	Be, with 0.30 ± 0.05 at% Cu	The ablator material shall be beryllium doped with 0.3 at% Cu +/- 0.05 at%. Oxygen shall be < 0.8 at%; nominally value is 0.3at%
UB3	0	I.4.1.1.2.1	Be (uniform) capsule	Ablator total thickness - range of possible requested values	175 µm	Capsule ablator shall be producable with total ablator thickness within the range 150-190µm. The ablator thickness for each capsule will be specified within that range. The point design value shall be 175 µm.
UB4	0	I.4.1.1.2.1	Be (uniform) capsule	Ablator total thickness, tolerance	± 3 µm	The capsule ablator total thickness shall be within ± 3 µm of the specified value
UB5	0	I.4.1.1.2.1	Be (uniform) capsule	Ablator density	1.88 ± 3% g/cc	The ablator density shall be 1.88 ± 3% g/cc
UB6	0	I.4.1.1.2.1	Be (uniform) capsule	Ablator inner surface figure	see table	The power spectrum of the deviation of the inner surface of the Be ablator from a perfect sphere of the same average radius shall not exceed the spectrum in Table "Surface roughness and thickness power spectra for uniformly doped Be capsule - Rev 0." "Shall not exceed" means that the 2D power in modes 1-12 shall be less than that tabulated, and the 1D power in a trace, summed over any +/- 15% bandwidth above mode 12 shall be less than that of the same bandwidth for the reference power spectra.
UB7	0	I.4.1.1.2.1	Be (uniform) capsule	Ablator thickness non-uniformity	see table	The power spectrum of the non-uniformity of the cumulative thickness of each layer shall not exceed the spectrum in Table "Surface roughness and thickness power spectra for uniformly doped Be capsule - Rev 0." "Shall not exceed" means that the 2D power in modes 1-12 shall be less than that tabulated, and the 1D power in a trace, summed over any +/- 15% bandwidth above mode 12 shall be less than that of the same bandwidth for the reference power spectra.
UB8	0	I.4.1.1.2.1	Be (uniform) capsule	Joint Plane Orientation wrt hohraum	+/- 10° of perpendicular to fill hole and +/- 10° of the LOS theta= 90 phi=340	The plane of the joint in the capsule shall be fabricated so that it is within +/-10° of perpendicular to the capsule fill hole and aligned within +/- 10° of the LOS theta= 90 phi=340
UB9	0	I.4.1.1.2.1	Be (uniform) capsule	Joint width	< 0.1 µm	The width of the joint in the capsule shall be <0.1 µm
UB10	0	I.4.1.1.2.1	Be (uniform) capsule	Bond and joint gap ablator penetration	Depth < 1/3 ablator thickness	The depth of the bond and joint gap shall be less than 1/3 of the ablator thickness to reduce jet mass and penetration
UB11	0	I.4.1.1.2.1	Be (uniform) capsule	Bond material composition	Density and opacity matched to ablator	The material used for the capsule joint bond shall have the same density as the ablator within +/- TBD% and the same opacity as the ablator within +/- TBD%
UB12	0	I.4.1.1.2.1	Be (uniform) capsule	Joint configuration	see figure, dimensions known to < ±20%	The joint configuration shall be as shown in Figure "Uniform Be Capsule Joint Configuration - Rev 0". All dimensions shall be measured to an accuracy better than 20%

Uniform Be Capsule Joint Configuration - Rev 0

Notes:

- 1. All dimensions in microns.*
- 2. Assumed wall thickness of 150 microns. Dimensions would be scaled for different wall thickness.*





Surface roughness and thickness power spectra for uniformly doped Be capsule - Rev 0

Notes:

1. First table is 2D power, applies to low modes
2. Second table is the 1D power for each surface in a trace, in nm². Applies to modes >12, included for low modes for information only.
3. Inner surface roughness is defined relative to an ideal sphere of the same average radius.
 Other surfaces are all defined relative to inner surfaces, i.e. they are actually the variation in the thickness
4. Outer surface relative to inner surface, for modes 1-19
5. At low modes, assumes inner surface and thickness are randomly phased.
6. We have specified the outer and inner surfaces to have a factor of two lower power at all modes compared to the graded dopant capsule. Depending upon the specific choice of dopant concentration, perturbation growth at low, intermediate, or high modes can be either higher or lower than the graded dopant capsule, but not uniformly lower.

mode number	Original NIF standard, reference, nm ²	Inner surface (radius), nm ²	Total shell thickness, nm ² (note 4)	Outer surface, nm ² (note 5)
2D power				
1	not applicable		122500	122500
2		101667	275625	377292
3		61529.2	275625	337154.2
4		4911.74	99225	104136.74
5		778.152	4900	5678.152
6		185.31	566.44	751.75
7		35.5897	70	105.5897
8		19.7554	31.36	51.1154
9		10.9590367	20	30.9590367
10		6.182451986	14	20.18245199
11		3.876452247	13	16.87645225
12		2.588741216	12	12
1D trace power				
1	3.13E+05		227025	227025
2	313000	77828.8	237851	315679.8
3	22000	38678.5	173623	212301.5
4	3440	2737.4	54411.7	57149.1
5	840	394.719	2432.86	2827.579
6	272	90.2859	265.775	356.0609
7	107	19.2375	35.6521	54.8896
8	48.8	10.7192	16.6239	27.3431
9	24.9	6	10.2291	16.2291
10	14	3.5	6.91169	10.41169
11	8.48	2.2	6.5	8.7
12	5.48	1.5	6	6.5
13	3.74	0.962385	5.08165	6.044035
14	2.68	0.78819	4.80045	5.58864
15	2	0.663585	4.62843	5.292015
16	1.55	0.572435	4.462605	5.03504
17	1.24	0.4977295	4.310605	4.8083345
18	1.01	0.435971	4.17062	4.606591
19	0.851	0.384527	4.041155	4.425682
20	0.729	0.3413825		4.2623625
21	0.635	0.3049765		4.1140365

22	0.561	0.2740845	3.9786095
23	0.503	0.2477365	3.8543565
24	0.455	0.2251575	3.7398625
25	0.416	0.2057225	3.6339375
26	0.384	0.188924	3.535594
27	0.357	0.174347	3.443982
28	0.333	0.1616495	3.3583845
29	0.313	0.150549	3.278179
30	0.296	0.1408115	3.2028365
31	0.281	0.13224	3.13189
32	0.268	0.1246695	3.0649345
33	0.256	0.1179625	3.0016175
34	0.245	0.1120005	2.9416205
35	0.236	0.106684	2.884669
36	0.227	0.1019285	2.8305185
37	0.219	0.097662	2.778942
38	0.212	0.0938215	2.7297515
39	0.205	0.0903545	2.6827695
40	0.199	0.087215	2.637835
41	0.194	0.084363	2.594803
42	0.189	0.081765	2.553545
43	0.184	0.079391	2.513946
44	0.179	0.077215	2.47589
45	0.175	0.075215	2.43929
46	0.171	0.073371	2.404051
47	0.168	0.071666	2.370086
48	0.164	0.070085	2.33733
49	0.161	0.0686155	2.3057055
50	0.158	0.067245	2.275155
51	0.155	0.065964	2.245614
52	0.152	0.064763	2.217033
53	0.15	0.063635	2.189355
54	0.147	0.0625725	2.1625375
55	0.145	0.061569	2.136534
56	0.142	0.0606195	2.1113045
57	0.14	0.059719	2.086814
58	0.138	0.058863	2.063028
59	0.136	0.058048	2.039908
60	0.134	0.05727	2.017425
61	0.132	0.0565265	1.9955565
62	0.13	0.0558145	1.9742645
63	0.129	0.0551315	1.9535315
64	0.127	0.054475	1.93333
65	0.125	0.0538435	1.9136385
66	0.124	0.053235	1.894435
67	0.122	0.052648	1.875698
68	0.121	0.052081	1.857416
69	0.12	0.051532	1.839562
70	0.118	0.051001	1.822126
71	0.117	0.0504855	1.8050855
72	0.116	0.04998585	1.78843085
73	0.114	0.0495004	1.7721454
74	0.113	0.0490284	1.7562184
75	0.112	0.04856915	1.74062915
76	0.111	0.048122	1.725377
77	0.11	0.0476862	1.7104412
78	0.109	0.04726125	1.69581125
79	0.108	0.0468466	1.6814816
80	0.107	0.0464417	1.6674367
81	0.106	0.0460461	1.6536711
82	0.105	0.0456594	1.6401744
83	0.104	0.0452812	1.6269362
84	0.103	0.0449111	1.6139511
85	0.102	0.04454875	1.60120875
86	0.101	0.0441939	1.5887039
87	0.1	0.04384615	1.57642615
88	0.0992	0.0435053	1.5643703
89	0.0984	0.04317105	1.55253105
90	0.0976	0.04284315	1.54089815
91	0.0968	0.0425214	1.5294664
92	0.096	0.04220555	1.51823055
93	0.0953	0.0418954	1.5071904
94	0.0945	0.04159075	1.49633075
95	0.0938	0.04129145	1.48565645
96	0.0931	0.0409973	1.4751523
97	0.0924	0.04070815	1.46482315
98	0.0917	0.0404238	1.4546538
99	0.091	0.04014415	1.44464915
100	0.0904	0.039869	1.434804
101	0.0897	0.0395983	1.4251083

102	0.0891	0.0393319	1.4155619
103	0.0885	0.0390696	1.4061596
104	0.0879	0.0388114	1.3969014
105	0.0873	0.0385571	1.3877771
106	0.0867	0.03830665	1.37878665
107	0.0861	0.03805985	1.36992985
108	0.0855	0.03781675	1.36120175
109	0.085	0.03757715	1.35259715
110	0.0844	0.03734095	1.34411095
111	0.0839	0.03710815	1.33574815
112	0.0833	0.0368786	1.3274986
113	0.0828	0.0366522	1.3193622
114	0.0823	0.03642895	1.31133895
115	0.0818	0.03620875	1.30341875
116	0.0813	0.0359915	1.2956115
117	0.0808	0.0357771	1.2879021
118	0.0803	0.03556555	1.28029055
119	0.0798	0.0353568	1.2727818
120	0.0793	0.0351507	1.2653707
121	0.0789	0.03494725	1.25805225
122	0.0784	0.0347464	1.2508264
123	0.078	0.03454805	1.24369305
124	0.0775	0.0343522	1.2366422
125	0.0771	0.03415875	1.22968375
126	0.0766	0.03396765	1.22280765
127	0.0762	0.0337789	1.2160139
128	0.0758	0.03359235	1.20930235
129	0.0754	0.0334081	1.2026681
130	0.075	0.03322595	1.19611595
131	0.0746	0.033046	1.189641
132	0.0742	0.0328681	1.1832381
133	0.0738	0.03269225	1.17690725
134	0.0734	0.0325184	1.1706484
135	0.073	0.0323465	1.1644615
136	0.0726	0.03217655	1.15834655
137	0.0723	0.0320085	1.1522985
138	0.0719	0.0318423	1.1463123
139	0.0715	0.0316779	1.1403979
140	0.0712	0.0315153	1.1345453
141	0.0708	0.03135445	1.12875445
142	0.0705	0.0311953	1.1230253
143	0.0701	0.0310379	1.1173579
144	0.0698	0.0308821	1.1117521
145	0.0694	0.03072795	1.10620295
146	0.0691	0.0305754	1.1007104
147	0.0688	0.0304244	1.0952744
148	0.0684	0.03027495	1.08989495
149	0.0681	0.030127	1.084572
150	0.0678	0.02998055	1.07930055
151	0.0675	0.0298356	1.0740806
152	0.0672	0.02969205	1.06891205
153	0.0668	0.02954995	1.06379495
154	0.0665	0.0294092	1.0587292
155	0.0662	0.0292698	1.0537098
156	0.0659	0.0291318	1.0487418
157	0.0656	0.0289951	1.0438201
158	0.0653	0.0288597	1.0389497
159	0.0651	0.02872555	1.03412055
160	0.0648	0.02859265	1.02933765
161	0.0645	0.02846105	1.02459605
162	0.0642	0.0283306	1.0199006
163	0.0639	0.0282014	1.0152514
164	0.0636	0.02807335	1.01063835
165	0.0634	0.0279465	1.0060715
166	0.0631	0.02782075	1.00154575
167	0.0628	0.02769615	0.99706115
168	0.0626	0.02757265	0.99261265
169	0.0623	0.0274502	0.9882052
170	0.0621	0.02732885	0.98383885
171	0.0618	0.0272086	0.9795086
172	0.0615	0.02708935	0.97521435
173	0.0613	0.0269711	0.9709611
174	0.061	0.0268539	0.9667389
175	0.0608	0.0267377	0.9625577
176	0.0605	0.0266225	0.9584075
177	0.0603	0.0265082	0.9542932
178	0.0601	0.0263949	0.9502149
179	0.0598	0.02628255	0.94617255
180	0.0596	0.0261711	0.9421611
181	0.0594	0.02606055	0.93818055

182	0.0591	0.0259509	0.9342309
183	0.0589	0.0258422	0.9303172
184	0.0587	0.0257343	0.9264343
185	0.0584	0.0256273	0.9225823
186	0.0582	0.02552115	0.91876115
187	0.058	0.0254158	0.9149708
188	0.0578	0.0253113	0.9112063
189	0.0576	0.02520765	0.90747765
190	0.0573	0.02510475	0.90376975
191	0.0571	0.0250027	0.9000977
192	0.0569	0.0249014	0.8964514
193	0.0567	0.02480085	0.89283085
194	0.0565	0.0247011	0.8892411
195	0.0563	0.0246021	0.8856771
196	0.0561	0.02450385	0.88213885
197	0.0559	0.0244063	0.8786263
198	0.0557	0.0243095	0.8751395
199	0.0555	0.0242134	0.8716834
200	0.0553	0.024118	0.868248
201	0.0551	0.0240233	0.8648383
202	0.0549	0.0239293	0.8614543
203	0.0547	0.023836	0.858096
204	0.0545	0.02374335	0.85475835
205	0.0543	0.02365135	0.85144635
206	0.0541	0.02356	0.84816
207	0.0539	0.0234693	0.8448943
208	0.0537	0.02337925	0.84165425
209	0.0536	0.0232898	0.8384348
210	0.0534	0.023201	0.835236
211	0.0532	0.0231128	0.8320628
212	0.053	0.0230252	0.8289102
213	0.0528	0.02293825	0.82577825
214	0.0527	0.02285185	0.82266685
215	0.0525	0.022766	0.819576
216	0.0523	0.0226808	0.8165108
217	0.0521	0.02259615	0.81346115
218	0.052	0.02251205	0.81043205
219	0.0518	0.0224285	0.8074285
220	0.0516	0.0223455	0.8044405
221	0.0514	0.0222631	0.8014731
222	0.0513	0.0221812	0.7985212
223	0.0511	0.0220998	0.7955948
224	0.0509	0.022019	0.792684
225	0.0508	0.02193865	0.78979365
226	0.0506	0.02185885	0.78691885
227	0.0504	0.02177955	0.78406455
228	0.0503	0.02170075	0.78122575
229	0.0501	0.0216225	0.7784075
230	0.05	0.0215447	0.7756097
231	0.0498	0.02146735	0.77282735
232	0.0497	0.02139055	0.77006055
233	0.0495	0.0213142	0.7673092
234	0.0493	0.0212383	0.7645783
235	0.0492	0.0211629	0.7618629
236	0.049	0.02108795	0.75916795
237	0.0489	0.02101345	0.75648345
238	0.0487	0.0209394	0.7538194
239	0.0486	0.0208658	0.7511658
240	0.0484	0.02079265	0.74853265
241	0.0483	0.0207199	0.7459149
242	0.0481	0.0206476	0.7433126
243	0.048	0.02057575	0.74072575
244	0.0479	0.0205043	0.7381543
245	0.0477	0.0204333	0.7355983
246	0.0476	0.0203627	0.7330577
247	0.0474	0.0202925	0.7305325
248	0.0473	0.0202227	0.7280177
249	0.0471	0.02015335	0.72551835
250	0.047	0.02008435	0.72303435
251	0.0469	0.02001575	0.72056575
252	0.0467	0.01994755	0.71811255
253	0.0466	0.01987975	0.71566975
254	0.0465	0.0198123	0.7132423
255	0.0463	0.01974525	0.71083025
256	0.0462	0.0196786	0.7084286
257	0.046	0.0196123	0.7060423
258	0.0459	0.01954635	0.70366635
259	0.0458	0.0194808	0.7013058
260	0.0457	0.01941555	0.69896055
261	0.0455	0.0193507	0.6966257

262	0.0454	0.0192862	0.6943012
263	0.0453	0.01922205	0.69199205
264	0.0451	0.01915825	0.68969825
265	0.045	0.0190948	0.6874148
266	0.0449	0.01903165	0.68514165
267	0.0448	0.0189689	0.6828789
268	0.0446	0.01890645	0.68063145
269	0.0445	0.0188443	0.6783943
270	0.0444	0.0187825	0.6761725
271	0.0443	0.01872105	0.67395605
272	0.0441	0.0186599	0.6717549
273	0.044	0.0185991	0.6695691
274	0.0439	0.0185386	0.6673886
275	0.0438	0.0184784	0.6652234
276	0.0437	0.0184185	0.6630635
277	0.0435	0.0183589	0.6609189
278	0.0434	0.01829965	0.65878465
279	0.0433	0.01824065	0.65666565
280	0.0432	0.018182	0.654552
281	0.0431	0.0181236	0.6524486
282	0.043	0.01806555	0.65036055
283	0.0428	0.01800775	0.64827775
284	0.0427	0.01795025	0.64621025
285	0.0426	0.017893	0.644148
286	0.0425	0.0178361	0.6421011
287	0.0424	0.01777945	0.64005945
288	0.0423	0.01772305	0.63802805
289	0.0422	0.01766695	0.63601195
290	0.042	0.01761115	0.63400115
291	0.0419	0.0175556	0.6320006
292	0.0418	0.0175003	0.6300103
293	0.0417	0.0174453	0.6280303
294	0.0416	0.01739055	0.62606055
295	0.0415	0.01733605	0.62409605
296	0.0414	0.0172818	0.6221468
297	0.0413	0.01722785	0.62020285
298	0.0412	0.01717415	0.61826915
299	0.0411	0.01712065	0.61634565
300	0.041	0.01706745	0.61442745
301	0.0409	0.0170145	0.6125195
302	0.0408	0.0169618	0.6106218
303	0.0407	0.0169093	0.6087343
304	0.0406	0.0168571	0.6068571
305	0.0405	0.0168051	0.6049851
306	0.0404	0.01675335	0.60312335
307	0.0403	0.01670185	0.60126685
308	0.0402	0.0166506	0.5994206
309	0.04	0.01659955	0.59758455
310	0.04	0.01654875	0.59575375
311	0.0398	0.01649815	0.59393315
312	0.0398	0.0164478	0.5921228
313	0.0397	0.0163977	0.5903177
314	0.0396	0.0163478	0.5885228
315	0.0395	0.01629815	0.58673315
316	0.0394	0.0162487	0.5849537
317	0.0393	0.01619945	0.58317945
318	0.0392	0.01615045	0.58141545
319	0.0391	0.01610165	0.57965665
320	0.039	0.01605305	0.57790805
321	0.0389	0.0160047	0.5761697
322	0.0388	0.0159565	0.5744365
323	0.0387	0.01590855	0.57270855
324	0.0386	0.01586085	0.57099085
325	0.0385	0.0158133	0.5692783
326	0.0384	0.01576595	0.56757595
327	0.0383	0.01571885	0.56587885
328	0.0382	0.0156719	0.5641869
329	0.0381	0.0156252	0.5625052
330	0.038	0.01557865	0.56083365
331	0.038	0.0155323	0.5591623
332	0.0379	0.0154862	0.5575012
333	0.0378	0.01544025	0.55585025
334	0.0377	0.0153945	0.5541995
335	0.0376	0.01534895	0.55256395
336	0.0375	0.01530355	0.55092855
337	0.0374	0.0152584	0.5493034
338	0.0373	0.0152134	0.5476834
339	0.0372	0.0151686	0.5460686
340	0.0372	0.01512395	0.54446395
341	0.0371	0.01507955	0.54286455

342	0.037	0.0150353	0.5412703
343	0.0369	0.0149912	0.5396812
344	0.0368	0.0149473	0.5381023
345	0.0367	0.0149036	0.5365286
346	0.0366	0.01486005	0.53496005
347	0.0366	0.0148167	0.5334017
348	0.0365	0.0147735	0.5318435
349	0.0364	0.0147305	0.5302955
350	0.0363	0.01468765	0.52875265
351	0.0362	0.01464495	0.52721995
352	0.0361	0.01460245	0.52568745
353	0.0361	0.0145601	0.5241651
354	0.036	0.01451795	0.52264795
355	0.0359	0.01447595	0.52113595
356	0.0358	0.0144341	0.5196291
357	0.0357	0.01439245	0.51812745
358	0.0357	0.0143509	0.5166309
359	0.0356	0.01430955	0.51514455
360	0.0355	0.01426835	0.51366135
361	0.0354	0.01422735	0.51218435
362	0.0353	0.01418645	0.51071295
363	0.0353	0.01414575	0.50924725
364	0.0352	0.0141052	0.5077872
365	0.0351	0.0140648	0.5063328
366	0.035	0.01402455	0.50488355
367	0.035	0.01398445	0.50344045
368	0.0349	0.0139445	0.5020025
369	0.0348	0.0139047	0.5005697
370	0.0347	0.0138651	0.4991426
371	0.0346	0.0138256	0.4977211
372	0.0346	0.01378625	0.49630475
373	0.0345	0.01374705	0.49489355
374	0.0344	0.013708	0.493488
375	0.0343	0.0136691	0.4920871
376	0.0343	0.01363035	0.49069185
377	0.0342	0.0135917	0.4893017
378	0.0341	0.01355325	0.48791675
379	0.034	0.0135149	0.4865369
380	0.034	0.0134767	0.4851617
381	0.0339	0.01343865	0.48379215
382	0.0338	0.01340075	0.48242725
383	0.0338	0.013363	0.4810675
384	0.0337	0.01332535	0.47971235
385	0.0336	0.01328785	0.47836235
386	0.0335	0.0132505	0.4770175
387	0.0335	0.01321325	0.47567725
388	0.0334	0.01317615	0.47434165
389	0.0333	0.0131392	0.4730112
390	0.0333	0.01310235	0.47168535
391	0.0332	0.0130657	0.4703642
392	0.0331	0.0130291	0.4690481
393	0.033	0.01299265	0.46773615
394	0.033	0.01295635	0.46642935
395	0.0329	0.0129202	0.4651267
396	0.0328	0.01288415	0.46382915
397	0.0328	0.0128482	0.4625357
398	0.0327	0.0128124	0.4612469
399	0.0326	0.01277675	0.45996275
400	0.0326	0.0127412	0.4586832
401	0.0325	0.0127058	0.4574078
402	0.0324	0.0126705	0.4561375
403	0.0324	0.0126353	0.4548708
404	0.0323	0.01260025	0.45360875
405	0.0322	0.0125653	0.4523513
406	0.0322	0.0125305	0.451098
407	0.0321	0.0124958	0.4498488
408	0.032	0.01246125	0.44860425
409	0.032	0.0124268	0.4473638
410	0.0319	0.01239245	0.44612795
411	0.0318	0.0123582	0.4448957
412	0.0318	0.0123241	0.4436681
413	0.0317	0.0122901	0.4424446
414	0.0316	0.01225625	0.44122475
415	0.0316	0.0122225	0.4400095
416	0.0315	0.01218885	0.43879835
417	0.0314	0.0121553	0.4375913
418	0.0314	0.0121219	0.4363879
419	0.0313	0.0120886	0.4351891
420	0.0312	0.0120554	0.4339939
421	0.0312	0.0120223	0.4328028

422	0.0311	0.0119893	0.4316158
423	0.0311	0.01195645	0.43043245
424	0.031	0.0119237	0.4292532
425	0.0309	0.01189105	0.42807755
426	0.0309	0.0118585	0.426906
427	0.0308	0.01182605	0.42573855
428	0.0307	0.01179375	0.42457475
429	0.0307	0.0117615	0.4234145
430	0.0306	0.0117294	0.4222584
431	0.0306	0.0116974	0.4211059
432	0.0305	0.0116655	0.4199575
433	0.0304	0.0116337	0.4188122
434	0.0304	0.011602	0.417671
435	0.0303	0.0115704	0.4165334
436	0.0303	0.0115389	0.4153999
437	0.0302	0.0115075	0.4142695
438	0.0301	0.0114762	0.4131427
439	0.0301	0.011445	0.41202
440	0.03	0.0114139	0.4109004
441	0.03	0.0113829	0.4097849
442	0.0299	0.011352	0.4086725
443	0.0298	0.0113212	0.4075637
444	0.0298	0.0112905	0.4064585
445	0.0297	0.0112599	0.4053569
446	0.0297	0.0112294	0.4042589
447	0.0296	0.011199	0.403164
448	0.0296	0.0111687	0.4020732
449	0.0295	0.0111385	0.400985
450	0.0294	0.01110835	0.39990085
451	0.0294	0.01107835	0.39881985
452	0.0293	0.0110484	0.3977424
453	0.0293	0.01101855	0.39666805
454	0.0292	0.0109888	0.3955973
455	0.0292	0.01095915	0.39452965
456	0.0291	0.0109296	0.3934656
457	0.029	0.0109001	0.3924046
458	0.029	0.01087075	0.39134675
459	0.0289	0.01084145	0.39029245
460	0.0289	0.01081225	0.38924125
461	0.0288	0.01078315	0.38819365
462	0.0288	0.01075415	0.38714865
463	0.0287	0.0107252	0.3861072
464	0.0287	0.01069635	0.38506885
465	0.0286	0.0106676	0.3840341
466	0.0285	0.01063895	0.38300195
467	0.0285	0.01061035	0.38197335
468	0.0284	0.0105819	0.3809479
469	0.0284	0.0105535	0.379925
470	0.0283	0.01052515	0.37890565
471	0.0283	0.01049695	0.37788945
472	0.0282	0.0104688	0.3768763
473	0.0282	0.0104407	0.3758657
474	0.0281	0.01041275	0.37485875
475	0.0281	0.01038485	0.37385435
476	0.028	0.01035705	0.37285355
477	0.028	0.0103293	0.3718553
478	0.0279	0.01030165	0.37086015
479	0.0278	0.0102741	0.3698681
480	0.0278	0.01024665	0.36887865
481	0.0277	0.01021925	0.36789275
482	0.0277	0.0101919	0.3669094
483	0.0276	0.0101647	0.3659287
484	0.0276	0.01013755	0.36495105
485	0.0275	0.01011045	0.36397645
486	0.0275	0.01008345	0.36300495
487	0.0274	0.01005655	0.36203605
488	0.0274	0.0100297	0.3610702
489	0.0273	0.01000295	0.36010695
490	0.0273	0.0099763	0.3591463
491	0.0272	0.0099497	0.3581892
492	0.0272	0.00992315	0.35723415
493	0.0271	0.00989675	0.35628225
494	0.0271	0.00987035	0.35533335
495	0.027	0.0098441	0.3543866
496	0.027	0.00981785	0.35344335
497	0.0269	0.00979175	0.35250225
498	0.0269	0.00976565	0.35156415
499	0.0268	0.0097397	0.3506287
500	0.0268	0.0097138	0.3496958
501	0.0267	0.00968795	0.34876595

502	0.0267	0.0096622	0.3478387
503	0.0266	0.0096365	0.346914
504	0.0266	0.0096109	0.3459919
505	0.0265	0.00958535	0.34507235
506	0.0265	0.0095599	0.3441559
507	0.0264	0.0095345	0.3432415
508	0.0264	0.00950915	0.34233015
509	0.0263	0.0094839	0.3414214
510	0.0263	0.00945875	0.34051475
511	0.0262	0.00943365	0.33961115
512	0.0262	0.0094086	0.3387101
513	0.0262	0.00938365	0.33781165
514	0.0261	0.00935875	0.33691525
515	0.0261	0.00933395	0.33602195
516	0.026	0.0093092	0.3351312
517	0.026	0.0092845	0.3342425
518	0.0259	0.0092599	0.3333564
519	0.0259	0.00923535	0.33247335
520	0.0258	0.0092109	0.3315924
521	0.0258	0.0091865	0.330714
522	0.0257	0.00916215	0.32983765
523	0.0257	0.0091379	0.3289644
524	0.0256	0.0091137	0.3280932
525	0.0256	0.00908955	0.32722455
526	0.0255	0.0090655	0.3263585
527	0.0255	0.0090415	0.3254945
528	0.0255	0.0090176	0.3246331
529	0.0254	0.00899375	0.32377425
530	0.0254	0.00896995	0.32291745
531	0.0253	0.0089462	0.3220632
532	0.0253	0.00892255	0.32121155
533	0.0252	0.00889895	0.32036195
534	0.0252	0.0088754	0.3195149
535	0.0251	0.00885195	0.31866995
536	0.0251	0.00882855	0.31782755
537	0.025	0.0088052	0.3169877
538	0.025	0.00878195	0.31614995
539	0.025	0.00875875	0.31531425
540	0.0249	0.0087356	0.3144811
541	0.0249	0.0087125	0.31365
542	0.0248	0.0086895	0.3128215
543	0.0248	0.00866655	0.31199505
544	0.0247	0.00864365	0.31117115
545	0.0247	0.0086208	0.3103493
546	0.0247	0.00859805	0.30952955
547	0.0246	0.00857535	0.30871235
548	0.0246	0.0085527	0.3078972
549	0.0245	0.0085301	0.3070841
550	0.0245	0.0085076	0.3062736
551	0.0244	0.00848515	0.30546515
552	0.0244	0.00846275	0.30465875
553	0.0243	0.0084404	0.3038549
554	0.0243	0.00841815	0.30305315
555	0.0243	0.0083959	0.3022534
556	0.0242	0.00837375	0.30145575
557	0.0242	0.00835165	0.30066015
558	0.0241	0.00832965	0.29986715
559	0.0241	0.00830765	0.29907565
560	0.0241	0.00828575	0.29828675
561	0.024	0.0082639	0.2974999
562	0.024	0.0082421	0.2967151
563	0.0239	0.00822035	0.29593285
564	0.0239	0.00819865	0.29515215
565	0.0238	0.00817705	0.29437355
566	0.0238	0.0081555	0.2935975
567	0.0238	0.008134	0.292823
568	0.0237	0.00811255	0.29205105
569	0.0237	0.00809115	0.29128065
570	0.0236	0.0080698	0.2905128
571	0.0236	0.0080485	0.289747
572	0.0236	0.0080273	0.2889828
573	0.0235	0.00800615	0.28822115
574	0.0235	0.00798505	0.28746105
575	0.0234	0.007964	0.286703
576	0.0234	0.007943	0.2859475
577	0.0234	0.00792205	0.28519355
578	0.0233	0.00790115	0.28444165
579	0.0233	0.00788035	0.28369185
580	0.0232	0.00785955	0.28294405
581	0.0232	0.00783885	0.28219785

582	0.0232	0.00781815	0.28145415
583	0.0231	0.00779755	0.28071205
584	0.0231	0.007777	0.279972
585	0.023	0.0077565	0.279234
586	0.023	0.00773605	0.27849805
587	0.023	0.00771565	0.27776365
588	0.0229	0.0076953	0.2770318
589	0.0229	0.00767505	0.27630155
590	0.0228	0.0076548	0.2755728
591	0.0228	0.00763465	0.27484665
592	0.0228	0.0076145	0.274122
593	0.0227	0.00759445	0.27339945
594	0.0227	0.0075744	0.2726789
595	0.0226	0.00755445	0.27195995
596	0.0226	0.00753455	0.27124305
597	0.0226	0.00751465	0.27052765
598	0.0225	0.00749485	0.26981485
599	0.0225	0.0074751	0.2691031
600	0.0225	0.0074554	0.2683939
601	0.0224	0.00743575	0.26768625
602	0.0224	0.0074161	0.2669806
603	0.0223	0.00739655	0.26627655
604	0.0223	0.00737705	0.26557455
605	0.0223	0.0073576	0.2648741
606	0.0222	0.0073382	0.2641757
607	0.0222	0.00731885	0.26347885
608	0.0222	0.00729955	0.26278405
609	0.0221	0.0072803	0.2620913
610	0.0221	0.0072611	0.2614001
611	0.022	0.00724195	0.26071045
612	0.022	0.00722285	0.26002285
613	0.022	0.0072038	0.2593368
614	0.0219	0.0071848	0.2586528
615	0.0219	0.00716585	0.25797035
616	0.0219	0.00714695	0.25728995
617	0.0218	0.0071281	0.2566111
618	0.0218	0.0071093	0.2559343
619	0.0217	0.00709055	0.25525905
620	0.0217	0.0070718	0.2545853
621	0.0217	0.00705315	0.25391365
622	0.0216	0.00703455	0.25324355
623	0.0216	0.007016	0.2525755
624	0.0216	0.00699745	0.25190845
625	0.0215	0.006979	0.2512435
626	0.0215	0.00696055	0.25058055
627	0.0215	0.0069422	0.2499192
628	0.0214	0.00692385	0.24925935
629	0.0214	0.0069056	0.2486011
630	0.0213	0.00688735	0.24794485
631	0.0213	0.00686915	0.24729015
632	0.0213	0.00685105	0.24663705
633	0.0212	0.00683295	0.24598595
634	0.0212	0.0068149	0.2453359
635	0.0212	0.0067969	0.2446879
636	0.0211	0.00677895	0.24404195
637	0.0211	0.00676105	0.24339705
638	0.0211	0.00674315	0.24275415
639	0.021	0.00672535	0.24211285
640	0.021	0.0067076	0.2414731
641	0.021	0.00668985	0.24083485
642	0.0209	0.0066722	0.2401982
643	0.0209	0.00665455	0.23956355
644	0.0209	0.00663695	0.23893045
645	0.0208	0.0066194	0.2382989
646	0.0208	0.0066019	0.2376689
647	0.0208	0.00658445	0.23704045
648	0.0207	0.00656705	0.23641355
649	0.0207	0.00654965	0.23578815
650	0.0207	0.00653235	0.23516485
651	0.0206	0.00651505	0.23454255
652	0.0206	0.00649785	0.23392235
653	0.0205	0.00648065	0.23330365
654	0.0205	0.0064635	0.232686
655	0.0205	0.0064464	0.2320704
656	0.0204	0.00642935	0.23145635
657	0.0204	0.00641235	0.23084385
658	0.0204	0.00639535	0.23023285
659	0.0203	0.0063784	0.2296234
660	0.0203	0.00636155	0.22901555
661	0.0203	0.0063447	0.2284092

662	0.0202	0.0063279	0.2278044
663	0.0202	0.00631115	0.22720115
664	0.0202	0.0062944	0.2265989
665	0.0201	0.00627775	0.22599875
666	0.0201	0.0062611	0.2254001
667	0.0201	0.00624455	0.22480305
668	0.02	0.006228	0.2242075
669	0.02	0.0062115	0.223613
670	0.02	0.006195	0.2230205
671	0.0199	0.0061786	0.2224296
672	0.0199	0.0061622	0.2218397
673	0.0199	0.0061459	0.2212514
674	0.0199	0.0061296	0.2206651
675	0.0198	0.0061133	0.2200798
676	0.0198	0.0060971	0.2194961
677	0.0198	0.00608095	0.21891395
678	0.0197	0.0060648	0.2183328
679	0.0197	0.0060487	0.2177537
680	0.0197	0.00603265	0.21717565
681	0.0196	0.00601665	0.21659965
682	0.0196	0.0060007	0.2160247
683	0.0196	0.00598475	0.21545125
684	0.0195	0.00596885	0.21487885
685	0.0195	0.005953	0.2143085
686	0.0195	0.0059372	0.2137392
687	0.0194	0.00592145	0.21317145
688	0.0194	0.0059057	0.2126052
689	0.0194	0.00589	0.2120405
690	0.0193	0.00587435	0.21147735
691	0.0193	0.00585875	0.21091525
692	0.0193	0.0058432	0.2103547
693	0.0192	0.00582765	0.20979565
694	0.0192	0.00581215	0.20923765
695	0.0192	0.0057967	0.2086812
696	0.0192	0.0057813	0.2081263
697	0.0191	0.0057659	0.2075729
698	0.0191	0.0057506	0.2070206
699	0.0191	0.0057353	0.2064703
700	0.019	0.00572	0.2059205
701	0.019	0.0057048	0.2053728
702	0.019	0.0056896	0.2048261
703	0.0189	0.00567445	0.20428095
704	0.0189	0.00565935	0.20373685
705	0.0189	0.0056443	0.2031948
706	0.0188	0.00562925	0.20265325
707	0.0188	0.00561425	0.20211375
708	0.0188	0.0055993	0.2015753
709	0.0187	0.0055844	0.2010384
710	0.0187	0.0055695	0.2005025
711	0.0187	0.0055547	0.1999682
712	0.0187	0.00553985	0.19943535
713	0.0186	0.0055251	0.1989036
714	0.0186	0.00551035	0.19837335
715	0.0186	0.0054957	0.1978447
716	0.0185	0.005481	0.197317
717	0.0185	0.0054664	0.1967904
718	0.0185	0.0054518	0.1962653
719	0.0184	0.00543725	0.19574175
720	0.0184	0.00542275	0.19521975
721	0.0184	0.0054083	0.1946983
722	0.0184	0.00539385	0.19417885
723	0.0183	0.00537945	0.19366045
724	0.0183	0.0053651	0.1931431
725	0.0183	0.00535075	0.19262725
726	0.0182	0.00533645	0.19211295
727	0.0182	0.0053222	0.1915997
728	0.0182	0.005308	0.191088
729	0.0182	0.0052938	0.1905773
730	0.0181	0.00527965	0.19006765
731	0.0181	0.00526555	0.18955955
732	0.0181	0.00525145	0.18905295
733	0.018	0.00523745	0.18854745
734	0.018	0.0052234	0.1880434
735	0.018	0.00520945	0.18753995
736	0.018	0.0051955	0.1870385
737	0.0179	0.0051816	0.1865381
738	0.0179	0.00516775	0.18603875
739	0.0179	0.0051539	0.1855409
740	0.0178	0.0051401	0.1850441
741	0.0178	0.00512635	0.18454885

742	0.0178	0.00511265	0.18405465
743	0.0177	0.00509895	0.18356145
744	0.0177	0.0050853	0.1830698
745	0.0177	0.00507165	0.18257965
746	0.0177	0.00505805	0.18209005
747	0.0176	0.0050445	0.1816025
748	0.0176	0.005031	0.1811155
749	0.0176	0.0050175	0.18063
750	0.0176	0.00500405	0.18014555
751	0.0175	0.004990625	0.179662625
752	0.0175	0.00497724	0.17918074
753	0.0175	0.004963885	0.178699885
754	0.0174	0.00495057	0.17822057
755	0.0174	0.004937285	0.177742285
756	0.0174	0.00492403	0.17726503
757	0.0174	0.004910815	0.176789315
758	0.0173	0.00489763	0.17631463
759	0.0173	0.004884475	0.175840975
760	0.0173	0.00487136	0.17536886
761	0.0172	0.004858275	0.174897775
762	0.0172	0.00484522	0.17442772
763	0.0172	0.0048322	0.1739592
764	0.0172	0.004819215	0.173491715
765	0.0171	0.00480626	0.17302526
766	0.0171	0.00479334	0.17256034
767	0.0171	0.00478045	0.17209595
768	0.0171	0.004767595	0.171633595
769	0.017	0.00475477	0.17117177
770	0.017	0.00474198	0.17071098
771	0.017	0.00472922	0.17025172
772	0.0169	0.00471649	0.16979349
773	0.0169	0.004703795	0.169336795
774	0.0169	0.004691135	0.168880635
775	0.0169	0.0046785	0.168426
776	0.0168	0.0046659	0.1679724
777	0.0168	0.004653335	0.167519835
778	0.0168	0.0046408	0.1670688
779	0.0168	0.004628295	0.166618795
780	0.0167	0.00461582	0.16616982
781	0.0167	0.00460338	0.16572188
782	0.0167	0.00459097	0.16527497
783	0.0166	0.004578595	0.164829595
784	0.0166	0.004566245	0.164384745
785	0.0166	0.00455393	0.16394143
786	0.0166	0.004541645	0.163499145
787	0.0165	0.00452939	0.16305789
788	0.0165	0.00451717	0.16261817
789	0.0165	0.004504975	0.162178975
790	0.0165	0.004492815	0.161741315
791	0.0164	0.004480685	0.161304685
792	0.0164	0.004468585	0.160869085
793	0.0164	0.004456515	0.160434515
794	0.0164	0.00444448	0.16000098
795	0.0163	0.00443247	0.15956897
796	0.0163	0.004420495	0.159137495
797	0.0163	0.004408545	0.158707545
798	0.0163	0.00439663	0.15827863
799	0.0162	0.00438474	0.15785074
800	0.0162	0.004372885	0.157423885
801	0.0162	0.00436106	0.15699806
802	0.0162	0.00434926	0.15657326
803	0.0161	0.004337495	0.156149995
804	0.0161	0.004325755	0.155727255
805	0.0161	0.00431405	0.15530555
806	0.0161	0.00430237	0.15488537
807	0.016	0.004290725	0.154466225
808	0.016	0.004279105	0.154047605
809	0.016	0.004267515	0.153630515
810	0.016	0.004255955	0.153214455
811	0.0159	0.004244425	0.152799425
812	0.0159	0.004232925	0.152385425
813	0.0159	0.004221455	0.151972455
814	0.0158	0.00421001	0.15156051
815	0.0158	0.0041986	0.1511496
816	0.0158	0.004187215	0.150739715
817	0.0158	0.004175855	0.150330855
818	0.0157	0.00416453	0.14992303
819	0.0157	0.00415323	0.14951623
820	0.0157	0.004141965	0.149110465
821	0.0157	0.00413072	0.14870622

822	0.0156	0.00411951	0.14830251
823	0.0156	0.004108325	0.147899825
824	0.0156	0.00409717	0.14749817
825	0.0156	0.004086045	0.147097545
826	0.0156	0.004074945	0.146697945
827	0.0155	0.004063875	0.146299375
828	0.0155	0.004052835	0.145901835
829	0.0155	0.00404182	0.14550532
830	0.0155	0.004030835	0.145109835
831	0.0154	0.00401988	0.14471538
832	0.0154	0.00400895	0.14432195
833	0.0154	0.003998045	0.143929545
834	0.0154	0.00398717	0.14353817
835	0.0153	0.003976325	0.143147825
836	0.0153	0.003965505	0.142758005
837	0.0153	0.003954715	0.142369715
838	0.0153	0.003943955	0.141982455
839	0.0152	0.003933215	0.141595715
840	0.0152	0.00392251	0.14121051
841	0.0152	0.003911825	0.140825825
842	0.0152	0.003901175	0.140442175
843	0.0151	0.003890545	0.140059545
844	0.0151	0.003879945	0.139677945
845	0.0151	0.003869375	0.139297375
846	0.0151	0.00385883	0.13891783
847	0.015	0.00384831	0.13853931
848	0.015	0.00383782	0.13816132
849	0.015	0.003827355	0.137784855
850	0.015	0.003816915	0.137408915
851	0.0149	0.003806505	0.137034005
852	0.0149	0.00379612	0.13666062
853	0.0149	0.003785765	0.136287265
854	0.0149	0.003775435	0.135915435
855	0.0148	0.00376513	0.13554463
856	0.0148	0.00375485	0.13517435
857	0.0148	0.0037446	0.1348056
858	0.0148	0.00373437	0.13443737
859	0.0148	0.003724175	0.134070175
860	0.0147	0.003714	0.133704
861	0.0147	0.003703855	0.133338855
862	0.0147	0.00369373	0.13297423
863	0.0147	0.003683635	0.13261135
864	0.0146	0.00367357	0.13224857
865	0.0146	0.003663525	0.131887025
866	0.0146	0.00365351	0.13152651
867	0.0146	0.003643515	0.131166515
868	0.0145	0.00363355	0.13080805
869	0.0145	0.00362361	0.13045011
870	0.0145	0.003613695	0.130093195
871	0.0145	0.003603805	0.129736805
872	0.0145	0.003593945	0.129381945
873	0.0144	0.003584105	0.129027605
874	0.0144	0.003574295	0.128674295
875	0.0144	0.003564505	0.128322005
876	0.0144	0.003554745	0.127970745
877	0.0143	0.003545005	0.127620005
878	0.0143	0.003535295	0.127270795
879	0.0143	0.00352561	0.12692211
880	0.0143	0.003515945	0.126573945
881	0.0142	0.00350631	0.12622731
882	0.0142	0.003496695	0.125881195
883	0.0142	0.00348711	0.12553611
884	0.0142	0.00347755	0.12519155
885	0.0142	0.00346801	0.12484851
886	0.0141	0.003458495	0.124505995
887	0.0141	0.00344901	0.12416451
888	0.0141	0.003439545	0.123823545
889	0.0141	0.003430105	0.123483605
890	0.014	0.00342069	0.12314469
891	0.014	0.0034113	0.1228068
892	0.014	0.003401935	0.122469435
893	0.014	0.003392595	0.122133595
894	0.014	0.003383275	0.121797775
895	0.0139	0.00337398	0.12146348
896	0.0139	0.003364715	0.121129715
897	0.0139	0.00335547	0.12079697
898	0.0139	0.003346245	0.120464745
899	0.0138	0.00333705	0.12013355
900	0.0138	0.003327875	0.119803375
901	0.0138	0.003318725	0.119474225

902	0.0138	0.0033096	0.1191456
903	0.0138	0.0033005	0.118818
904	0.0137	0.00329142	0.11849092
905	0.0137	0.003282365	0.118165365
906	0.0137	0.003273335	0.117839835
907	0.0137	0.003264325	0.117515825
908	0.0136	0.003255345	0.117192345
909	0.0136	0.00324638	0.11686988
910	0.0136	0.003237445	0.116547945
911	0.0136	0.00322853	0.11622703
912	0.0136	0.00321964	0.11590714
913	0.0135	0.00321077	0.11558777
914	0.0135	0.00320193	0.11526943
915	0.0135	0.003193105	0.114951605
916	0.0135	0.00318431	0.11463531
917	0.0135	0.00317553	0.11431903
918	0.0134	0.00316678	0.11400428
919	0.0134	0.00315805	0.11368955
920	0.0134	0.003149345	0.113376345
921	0.0134	0.00314066	0.11306366
922	0.0133	0.003131995	0.112751995
923	0.0133	0.00312336	0.11244086
924	0.0133	0.003114745	0.112130745
925	0.0133	0.00310615	0.11182115
926	0.0133	0.00309758	0.11151258
927	0.0132	0.00308903	0.11120503
928	0.0132	0.003080505	0.110898005
929	0.0132	0.003072	0.110592
930	0.0132	0.00306352	0.11028652
931	0.0132	0.00305506	0.10998206
932	0.0131	0.00304662	0.10967812
933	0.0131	0.003038205	0.109375205
934	0.0131	0.003029815	0.109073315
935	0.0131	0.003021445	0.108771945
936	0.0131	0.003013095	0.108471595
937	0.013	0.003004765	0.108171765
938	0.013	0.00299646	0.10787246
939	0.013	0.00298818	0.10757418
940	0.013	0.002979915	0.107276915
941	0.0129	0.002971675	0.106980175
942	0.0129	0.00296346	0.10668446
943	0.0129	0.002955265	0.106389265
944	0.0129	0.00294709	0.10609509
945	0.0129	0.002938935	0.105801435
946	0.0128	0.002930805	0.105508805
947	0.0128	0.002922695	0.105217195
948	0.0128	0.002914605	0.104925605
949	0.0128	0.002906535	0.104635535
950	0.0128	0.00289849	0.10434549
951	0.0127	0.002890465	0.104056965
952	0.0127	0.00288246	0.10376846
953	0.0127	0.00287448	0.10348148
954	0.0127	0.002866515	0.103194515
955	0.0127	0.002858575	0.102908575
956	0.0126	0.002850655	0.102623655
957	0.0126	0.00284276	0.10233926
958	0.0126	0.00283488	0.10205588
959	0.0126	0.002827025	0.101773025
960	0.0126	0.00281919	0.10149069
961	0.0125	0.00281137	0.10120937
962	0.0125	0.00280358	0.10092858
963	0.0125	0.002795805	0.100648805
964	0.0125	0.00278805	0.10037005
965	0.0125	0.002780315	0.100091315
966	0.0124	0.002772605	0.099813605
967	0.0124	0.002764915	0.099536915
968	0.0124	0.00275724	0.09926074
969	0.0124	0.00274959	0.09898509
970	0.0124	0.00274196	0.09871046
971	0.0123	0.00273435	0.09843635
972	0.0123	0.00272676	0.09816326
973	0.0123	0.00271919	0.09789069
974	0.0123	0.00271164	0.09761914
975	0.0123	0.00270411	0.09734811
976	0.0122	0.0026966	0.0970776
977	0.0122	0.00268911	0.09680811
978	0.0122	0.00268164	0.09653914
979	0.0122	0.00267419	0.09627069
980	0.0122	0.00266676	0.09600326
981	0.0121	0.00265935	0.09573635

982	0.0121	0.00265196	0.09547046
983	0.0121	0.00264459	0.09520509
984	0.0121	0.002637235	0.094940735
985	0.0121	0.002629905	0.094676405
986	0.012	0.002622595	0.094413095
987	0.012	0.0026153	0.0941508
988	0.012	0.002608025	0.093889025
989	0.012	0.002600775	0.093627775
990	0.012	0.00259354	0.09336754
991	0.0119	0.002586325	0.093107825
992	0.0119	0.00257913	0.09284863
993	0.0119	0.002571955	0.092590455
994	0.0119	0.002564795	0.092332795
995	0.0119	0.002557655	0.092075655
996	0.0118	0.00255054	0.09181954
997	0.0118	0.00254344	0.09156394
998	0.0118	0.00253636	0.09130886
999	0.0118	0.002529295	0.091054795
1000	0.0118	0.002522255	0.090801255
1001	0.0118	0.00251523	0.09054823
1002	0.0117	0.002508225	0.090296225
1003	0.0117	0.00250124	0.09004474
1004	0.0117	0.00249427	0.08979377
1005	0.0117	0.00248732	0.08954382
1006	0.0117	0.00248039	0.08929389
1007	0.0116	0.00247348	0.08904548
1008	0.0116	0.002466585	0.088797085
1009	0.0116	0.00245971	0.08854971
1010	0.0116	0.002452855	0.088302855
1011	0.0116	0.00244602	0.08805652
1012	0.0115	0.0024392	0.0878112
1013	0.0115	0.0024324	0.0875664
1014	0.0115	0.002425615	0.087322115
1015	0.0115	0.00241885	0.08707885
1016	0.0115	0.002412105	0.086835605
1017	0.0114	0.00240538	0.08659388
1018	0.0114	0.00239867	0.08635217
1019	0.0114	0.002391975	0.086110975
1020	0.0114	0.002385305	0.085870805
1021	0.0114	0.00237865	0.08563115
1022	0.0114	0.00237201	0.08539251
1023	0.0113	0.00236539	0.08515389
1024	0.0113	0.00235879	0.08491629
1025	0.0113	0.002352205	0.084679205
1026	0.0113	0.00234564	0.08444314
1027	0.0113	0.00233909	0.08420709
1028	0.0112	0.00233256	0.08397206
1029	0.0112	0.00232605	0.08373755
1030	0.0112	0.002319555	0.083504055
1031	0.0112	0.002313075	0.083270575
1032	0.0112	0.002306615	0.083038115
1033	0.0112	0.00230017	0.08280617
1034	0.0111	0.002293745	0.082574745
1035	0.0111	0.00228734	0.08234434
1036	0.0111	0.00228095	0.08211395
1037	0.0111	0.002274575	0.081884575
1038	0.0111	0.00226822	0.08165572
1039	0.011	0.00226188	0.08142788
1040	0.011	0.00225556	0.08120006
1041	0.011	0.002249255	0.080973255
1042	0.011	0.00224297	0.08074697
1043	0.011	0.0022367	0.0805212
1044	0.011	0.002230445	0.080295945
1045	0.0109	0.00222421	0.08007171
1046	0.0109	0.00221799	0.07984749
1047	0.0109	0.00221179	0.07962429
1048	0.0109	0.002205605	0.079401605
1049	0.0109	0.002199435	0.079179435
1050	0.0108	0.002193285	0.078958285
1051	0.0108	0.00218715	0.07873715
1052	0.0108	0.00218103	0.07851703
1053	0.0108	0.00217493	0.07829743
1054	0.0108	0.002168845	0.078078345
1055	0.0108	0.002162775	0.077859775
1056	0.0107	0.002156725	0.077642225
1057	0.0107	0.00215069	0.07742469
1058	0.0107	0.00214467	0.07720817
1059	0.0107	0.00213867	0.07699217
1060	0.0107	0.00213268	0.07677668
1061	0.0107	0.002126715	0.076561715

1062	0.0106	0.00212076	0.07634726
1063	0.0106	0.002114825	0.076133825
1064	0.0106	0.0021089	0.0759204
1065	0.0106	0.002103	0.075708
1066	0.0106	0.00209711	0.07549611
1067	0.0105	0.002091235	0.075284735
1068	0.0105	0.00208538	0.07507388
1069	0.0105	0.00207954	0.07486354
1070	0.0105	0.002073715	0.074653715
1071	0.0105	0.00206791	0.07444491
1072	0.0105	0.002062115	0.074236115
1073	0.0104	0.00205634	0.07402834
1074	0.0104	0.00205058	0.07382108
1075	0.0104	0.002044835	0.073613835
1076	0.0104	0.002039105	0.073407605
1077	0.0104	0.00203339	0.07320189
1078	0.0104	0.002027695	0.072997195
1079	0.0103	0.00202201	0.07279251
1080	0.0103	0.002016345	0.072588345
1081	0.0103	0.002010695	0.072385195
1082	0.0103	0.00200506	0.07218206
1083	0.0103	0.00199944	0.07197994
1084	0.0103	0.001993835	0.071778335
1085	0.0102	0.001988245	0.071576745
1086	0.0102	0.001982675	0.071376175
1087	0.0102	0.001977115	0.071176115
1088	0.0102	0.00197157	0.07097657
1089	0.0102	0.001966045	0.070777545
1090	0.0102	0.00196053	0.07057903
1091	0.0101	0.001955035	0.070381035
1092	0.0101	0.001949555	0.070184055
1093	0.0101	0.001944085	0.069987085
1094	0.0101	0.001938635	0.069790635
1095	0.0101	0.001933195	0.069595195
1096	0.0101	0.001927775	0.069399775
1097	0.01	0.00192237	0.06920537
1098	0.01	0.001916975	0.069010975
1099	0.01	0.0019116	0.0688176
1100	0.00998	0.001906235	0.068624735
1101	0.00996	0.00190089	0.06843189
1102	0.00995	0.001895555	0.068240055
1103	0.00993	0.00189024	0.06804874
1104	0.00992	0.001884935	0.067857935
1105	0.0099	0.001879645	0.067667145
1106	0.00988	0.001874375	0.067477375
1107	0.00986	0.001869115	0.067288115
1108	0.00985	0.00186387	0.06709937
1109	0.00983	0.00185864	0.06691114
1110	0.00982	0.001853425	0.066723425
1111	0.0098	0.00184822	0.06653622
1112	0.00978	0.001843035	0.066349035
1113	0.00977	0.00183786	0.06616286
1114	0.00975	0.001832705	0.065977205
1115	0.00973	0.00182756	0.06579206
1116	0.00972	0.00182243	0.06560743
1117	0.0097	0.001817315	0.065423315
1118	0.00969	0.001812215	0.065239715
1119	0.00967	0.001807125	0.065056625
1120	0.00965	0.001802055	0.064874055
1121	0.00963	0.001796995	0.064691995
1122	0.00962	0.00179195	0.06450995
1123	0.0096	0.00178692	0.06432892
1124	0.00959	0.0017819	0.0641484
1125	0.00957	0.0017769	0.0639684
1126	0.00956	0.00177191	0.06378891
1127	0.00954	0.001766935	0.063609435
1128	0.00952	0.001761975	0.063430975
1129	0.0095	0.001757025	0.063253025
1130	0.00949	0.001752095	0.063075595
1131	0.00947	0.001747175	0.062898175
1132	0.00946	0.001742265	0.062721765
1133	0.00944	0.001737375	0.062545375
1134	0.00943	0.001732495	0.062369995
1135	0.00941	0.00172763	0.06219463
1136	0.00939	0.00172278	0.06201978
1137	0.00938	0.00171794	0.06184594
1138	0.00936	0.001713115	0.061672115
1139	0.00934	0.001708305	0.061498805
1140	0.00933	0.001703505	0.061326005
1141	0.00931	0.00169872	0.06115372

1142	0.0093	0.00169395	0.06098195
1143	0.00928	0.00168919	0.06081069
1144	0.00927	0.00168445	0.060639945
1145	0.00925	0.001679715	0.060469715
1146	0.00924	0.001675	0.0603
1147	0.00922	0.001670295	0.060130295
1148	0.0092	0.0016656	0.0599616
1149	0.00919	0.00166092	0.05979342
1150	0.00917	0.001656255	0.059625255
1151	0.00915	0.001651605	0.059457605
1152	0.00914	0.001646965	0.059290965
1153	0.00912	0.00164234	0.05912434
1154	0.00911	0.001637725	0.058958225
1155	0.00909	0.001633125	0.058792625
1156	0.00908	0.001628535	0.058627535
1157	0.00906	0.00162396	0.05846246
1158	0.00905	0.0016194	0.0582984
1159	0.00903	0.00161485	0.05813435
1160	0.00902	0.001610315	0.057971315
1161	0.009	0.00160579	0.05780829
1162	0.00899	0.00160128	0.05764578
1163	0.00897	0.00159678	0.05748428
1164	0.00895	0.001592295	0.057322795
1165	0.00894	0.00158782	0.05716132
1166	0.00892	0.00158336	0.05700086
1167	0.00891	0.00157891	0.05684091
1168	0.00889	0.001574475	0.056680975
1169	0.00888	0.00157005	0.05652205
1170	0.00886	0.00156564	0.05636314
1171	0.00885	0.001561245	0.056204745
1172	0.00883	0.001556855	0.056046855
1173	0.00881	0.001552485	0.055889485
1174	0.0088	0.00154812	0.05573262
1175	0.00878	0.00154377	0.05557577
1176	0.00877	0.001539435	0.055419435
1177	0.00875	0.00153511	0.05526411
1178	0.00874	0.0015308	0.0551088
1179	0.00872	0.001526495	0.054953995
1180	0.00871	0.00152221	0.05479971
1181	0.00869	0.001517935	0.054645435
1182	0.00868	0.00151367	0.05449217
1183	0.00866	0.001509415	0.054338915
1184	0.00865	0.001505175	0.054186175
1185	0.00863	0.00150095	0.05403395
1186	0.00862	0.00149673	0.05388223
1187	0.0086	0.001492525	0.053731025
1188	0.00859	0.001488335	0.053579835
1189	0.00857	0.001484155	0.053429655
1190	0.00856	0.001479985	0.053279485
1191	0.00854	0.001475825	0.053129825
1192	0.00853	0.00147168	0.05298068
1193	0.00851	0.001467545	0.052831545
1194	0.0085	0.001463425	0.052683425
1195	0.00848	0.001459315	0.052535315
1196	0.00847	0.001455215	0.052387715
1197	0.00845	0.00145113	0.05224063
1198	0.00844	0.001447055	0.052094055
1199	0.00842	0.00144299	0.05194749
1200	0.00841	0.001438935	0.051801435
1201	0.0084	0.001434895	0.051656395
1202	0.00838	0.001430865	0.051511365
1203	0.00837	0.001426845	0.051366445
1204	0.00835	0.00142284	0.05122219
1205	0.00834	0.001418845	0.051078345
1206	0.00832	0.00141486	0.05093491
1207	0.00831	0.001410885	0.050791885
1208	0.00829	0.001406925	0.050649225
1209	0.00828	0.00140297	0.05050702
1210	0.00827	0.001399035	0.050365185
1211	0.00825	0.001395105	0.050223755
1212	0.00824	0.001391185	0.050082735
1213	0.00822	0.00138728	0.04994213
1214	0.00821	0.001383385	0.049801885
1215	0.00819	0.0013795	0.04966205
1216	0.00818	0.00137563	0.04952263
1217	0.00816	0.001371765	0.049383615
1218	0.00815	0.001367915	0.049244965
1219	0.00813	0.001364075	0.049106725
1220	0.00812	0.001360245	0.048968845
1221	0.0081	0.001356425	0.048831375

1222	0.00809	0.00135262	0.04869432
1223	0.00808	0.001348825	0.048557625
1224	0.00806	0.001345035	0.048421335
1225	0.00805	0.00134126	0.04828541
1226	0.00803	0.001337495	0.048149895
1227	0.00802	0.001333745	0.048014745
1228	0.00801	0.00133	0.04788
1229	0.00799	0.00132627	0.04774562
1230	0.00798	0.001322545	0.047611645
1231	0.00796	0.001318835	0.047478035
1232	0.00795	0.001315135	0.047344785
1233	0.00793	0.001311445	0.047211945
1234	0.00792	0.001307765	0.047079465
1235	0.0079	0.001304095	0.046947395
1236	0.00789	0.001300435	0.046815685
1237	0.00788	0.001296785	0.046684335
1238	0.00786	0.00129315	0.04655335
1239	0.00785	0.00128952	0.04642277
1240	0.00784	0.001285905	0.046292505
1241	0.00782	0.001282295	0.046162645
1242	0.00781	0.0012787	0.0460332
1243	0.00779	0.001275115	0.045904065
1244	0.00778	0.001271535	0.045775335
1245	0.00776	0.00126797	0.04564692
1246	0.00775	0.001264415	0.045518915
1247	0.00774	0.00126087	0.04539127
1248	0.00773	0.001257335	0.045263985
1249	0.00771	0.001253805	0.045137055
1250	0.0077	0.00125029	0.04501049
1251	0.00768	0.001246785	0.044884285
1252	0.00767	0.00124329	0.04475844
1253	0.00765	0.001239805	0.044632955
1254	0.00764	0.00123633	0.04450783
1255	0.00763	0.001232865	0.044383065
1256	0.00761	0.001229405	0.044258655
1257	0.0076	0.00122596	0.04413461
1258	0.00759	0.001222525	0.044010875
1259	0.00757	0.0012191	0.04388755
1260	0.00756	0.00121568	0.04376453
1261	0.00754	0.001212275	0.043641925
1262	0.00753	0.00120888	0.04351963
1263	0.00752	0.00120549	0.04339764
1264	0.00751	0.001202115	0.043276065
1265	0.00749	0.001198745	0.043154795
1266	0.00748	0.001195385	0.043033885
1267	0.00746	0.001192035	0.042913335
1268	0.00745	0.0011887	0.04279315
1269	0.00744	0.00118537	0.04267327
1270	0.00742	0.00118205	0.04255375
1271	0.00741	0.00117874	0.04243454
1272	0.0074	0.001175435	0.042315735
1273	0.00738	0.001172145	0.042197195
1274	0.00737	0.00116886	0.04207906
1275	0.00735	0.00116559	0.04196124
1276	0.00734	0.001162325	0.041843725
1277	0.00733	0.00115907	0.04172657
1278	0.00732	0.001155825	0.041609775
1279	0.0073	0.00115259	0.04149329
1280	0.00729	0.001149365	0.041377115
1281	0.00727	0.001146145	0.041261295
1282	0.00726	0.00114294	0.04114584
1283	0.00725	0.00113974	0.04103069
1284	0.00724	0.00113655	0.04091585
1285	0.00722	0.00113337	0.04080137
1286	0.00721	0.0011302	0.0406872
1287	0.00719	0.001127035	0.040573335
1288	0.00718	0.001123885	0.040459835
1289	0.00717	0.00112074	0.04034664
1290	0.00716	0.001117605	0.040233755
1291	0.00714	0.00111448	0.04012123
1292	0.00713	0.00111136	0.04000901
1293	0.00712	0.001108255	0.039897105
1294	0.0071	0.001105155	0.039785555
1295	0.00709	0.001102065	0.039674315
1296	0.00708	0.00109898	0.03956338
1297	0.00706	0.00109591	0.03945276
1298	0.00705	0.001092845	0.039342445
1299	0.00704	0.00108979	0.03923244
1300	0.00703	0.001086745	0.039122795
1301	0.00701	0.001083705	0.039013455

1302	0.007	0.00108068	0.03890443
1303	0.00698	0.00107766	0.03879566
1304	0.00697	0.001074645	0.038687245
1305	0.00696	0.001071645	0.038579195
1306	0.00695	0.00106865	0.0384714
1307	0.00693	0.001065665	0.038363915
1308	0.00692	0.001062685	0.038256735
1309	0.00691	0.00105972	0.03814987
1310	0.0069	0.00105676	0.03804331
1311	0.00688	0.001053805	0.037937055
1312	0.00687	0.001050865	0.037831115
1313	0.00686	0.00104793	0.03772548
1314	0.00685	0.001045005	0.037620155
1315	0.00683	0.001042085	0.037515085
1316	0.00682	0.001039175	0.037410375
1317	0.0068	0.001036275	0.037305925
1318	0.00679	0.001033385	0.037201835
1319	0.00678	0.0010305	0.037098
1320	0.00677	0.001027625	0.036994475
1321	0.00675	0.001024755	0.036891205
1322	0.00674	0.001021895	0.036788295
1323	0.00673	0.001019045	0.036685645
1324	0.00672	0.001016205	0.036583305
1325	0.0067	0.00101337	0.03648127
1326	0.00669	0.00101054	0.03637949
1327	0.00668	0.001007725	0.036278025
1328	0.00667	0.001004915	0.036176865
1329	0.00665	0.00100211	0.03607596
1330	0.00664	0.000999315	0.035975365
1331	0.00663	0.00099653	0.03587508
1332	0.00662	0.00099375	0.0357751
1333	0.0066	0.00099098	0.03567533
1334	0.00659	0.00098822	0.03557592
1335	0.00658	0.000985465	0.035476765
1336	0.00657	0.00098272	0.03537792
1337	0.00655	0.00097998	0.03527933
1338	0.00654	0.00097725	0.03518105
1339	0.00653	0.00097453	0.03508303
1340	0.00652	0.000971815	0.034985315
1341	0.0065	0.000969105	0.034887855
1342	0.00649	0.00096641	0.03479071
1343	0.00648	0.000963715	0.034693815
1344	0.00647	0.000961035	0.034597185
1345	0.00645	0.000958355	0.034500855
1346	0.00644	0.00095569	0.03440484
1347	0.00643	0.00095303	0.03430903
1348	0.00642	0.000950375	0.034213575
1349	0.0064	0.00094773	0.03411833
1350	0.00639	0.000945095	0.034023395
1351	0.00638	0.000942465	0.033928715
1352	0.00637	0.00093984	0.03383429
1353	0.00636	0.000937225	0.033740175
1354	0.00635	0.00093462	0.03364632
1355	0.00633	0.00093202	0.03355277
1356	0.00632	0.00092943	0.03345943
1357	0.00631	0.000926845	0.033366395
1358	0.0063	0.000924265	0.033273615
1359	0.00628	0.0009217	0.0331811
1360	0.00627	0.000919135	0.033088885
1361	0.00626	0.00091658	0.03299688
1362	0.00625	0.000914035	0.032905185
1363	0.00623	0.000911495	0.032813745
1364	0.00622	0.00090896	0.03272256
1365	0.00621	0.000906435	0.032631635
1366	0.0062	0.000903915	0.032541015
1367	0.00619	0.000901405	0.032450605
1368	0.00618	0.00089899	0.03236045
1369	0.00616	0.000896405	0.032270605
1370	0.00615	0.000893915	0.032180965
1371	0.00614	0.000891435	0.032091635
1372	0.00613	0.00088896	0.03200256
1373	0.00611	0.00088649	0.03191369
1374	0.0061	0.00088403	0.03182513
1375	0.00609	0.00088158	0.03173678
1376	0.00608	0.00087913	0.03164873
1377	0.00607	0.00087669	0.03156094
1378	0.00606	0.00087426	0.03147336
1379	0.00604	0.000871835	0.031386035
1380	0.00603	0.000869415	0.031299015
1381	0.00602	0.000867005	0.031212205

1382	0.00601	0.0008646	0.03112565
1383	0.006	0.000862205	0.031039355
1384	0.00599	0.000859815	0.030953315
1385	0.00597	0.00085743	0.03086748
1386	0.00596	0.000855055	0.030781955
1387	0.00595	0.000852685	0.030696635
1388	0.00594	0.00085032	0.03061157
1389	0.00592	0.000847965	0.030526765
1390	0.00592	0.000845615	0.030442165
1391	0.0059	0.000843275	0.030357875
1392	0.00589	0.00084094	0.03027379
1393	0.00588	0.00083861	0.03018996
1394	0.00587	0.000836285	0.030106335
1395	0.00586	0.00083397	0.03002297
1396	0.00585	0.000831665	0.029939865
1397	0.00583	0.00082936	0.02985701
1398	0.00582	0.000827065	0.029774365
1399	0.00581	0.000824775	0.029691975
1400	0.0058	0.000822495	0.029609845
1401	0.00579	0.00082022	0.02952792
1402	0.00578	0.00081795	0.02944625
1403	0.00576	0.00081569	0.02936479
1404	0.00575	0.000813435	0.029283585
1405	0.00574	0.000811185	0.029202585
1406	0.00573	0.00080894	0.02912189
1407	0.00572	0.000806705	0.029041355
1408	0.00571	0.000804475	0.028961075
1409	0.00569	0.00080225	0.02888105
1410	0.00569	0.000800035	0.028801235
1411	0.00567	0.000797825	0.028721675
1412	0.00566	0.00079562	0.02864232
1413	0.00565	0.00079342	0.02856322
1414	0.00564	0.00079123	0.02848433
1415	0.00563	0.000789045	0.028405645
1416	0.00562	0.00078687	0.02832722
1417	0.0056	0.000784695	0.028249045
1418	0.00559	0.00078253	0.02817103
1419	0.00558	0.00078037	0.02809332
1420	0.00557	0.000778215	0.028015765
1421	0.00556	0.00077607	0.02793847
1422	0.00555	0.00077393	0.02786138
1423	0.00554	0.000771795	0.027784545
1424	0.00553	0.000769665	0.027707915
1425	0.00551	0.00076754	0.02763149
1426	0.0055	0.000765425	0.027555325
1427	0.00549	0.000763315	0.027479315
1428	0.00548	0.00076121	0.02740361
1429	0.00547	0.000759115	0.027328065
1430	0.00546	0.00075702	0.02725277
1431	0.00545	0.000754935	0.027177685
1432	0.00544	0.000752855	0.027102805
1433	0.00542	0.00075078	0.02702813
1434	0.00542	0.000748715	0.026953665
1435	0.0054	0.00074665	0.02687945
1436	0.00539	0.000744595	0.026805445
1437	0.00538	0.000742545	0.026731645
1438	0.00537	0.0007405	0.02665805
1439	0.00536	0.000738465	0.026584715
1440	0.00535	0.00073643	0.02651153
1441	0.00534	0.000734405	0.026438605
1442	0.00533	0.000732385	0.026365885
1443	0.00531	0.00073037	0.02629337
1444	0.00531	0.00072836	0.02622101
1445	0.00529	0.00072636	0.02614891
1446	0.00528	0.00072436	0.02607706
1447	0.00527	0.00072237	0.02600537
1448	0.00526	0.000720385	0.025933885
1449	0.00525	0.000718405	0.025862605
1450	0.00524	0.00071643	0.02579153
1451	0.00523	0.000714465	0.025720665
1452	0.00522	0.0007125	0.02565005
1453	0.00521	0.000710545	0.025579595
1454	0.0052	0.000708595	0.025509345
1455	0.00518	0.000706645	0.025439295
1456	0.00518	0.000704705	0.025369455
1457	0.00516	0.000702775	0.025299825
1458	0.00515	0.000700845	0.025230395
1459	0.00514	0.00069892	0.02516117
1460	0.00513	0.000697005	0.025092105
1461	0.00512	0.00069509	0.02502329

1462	0.00511	0.000693185	0.024954635
1463	0.0051	0.000691285	0.024886235
1464	0.00509	0.00068939	0.02481799
1465	0.00508	0.0006875	0.02474995
1466	0.00507	0.000685615	0.024682115
1467	0.00505	0.000683735	0.024614485
1468	0.00505	0.00068186	0.02454701
1469	0.00503	0.000679995	0.024479745
1470	0.00503	0.00067813	0.02441273
1471	0.00501	0.000676275	0.024345825
1472	0.005	0.00067442	0.02427917
1473	0.00499	0.000672575	0.024212675
1474	0.00498	0.000670735	0.024146435
1475	0.00497	0.00066889	0.0240803
1476	0.00496	0.000667065	0.024014415
1477	0.00495	0.00066524	0.02394869
1478	0.00494	0.00066342	0.02388317
1479	0.00493	0.000661605	0.023817855
1480	0.00492	0.0006598	0.02375275
1481	0.00491	0.000657995	0.023687795
1482	0.0049	0.000656195	0.023622995
1483	0.00489	0.0006544	0.02355845
1484	0.00488	0.00065261	0.02349406
1485	0.00487	0.00065083	0.02342983
1486	0.00486	0.00064905	0.02336585
1487	0.00484	0.00064728	0.02330198
1488	0.00484	0.00064551	0.02323836
1489	0.00482	0.000643745	0.023174895
1490	0.00482	0.00064199	0.02311164
1491	0.0048	0.000640235	0.023048535
1492	0.0048	0.00063849	0.02298559
1493	0.00478	0.000636745	0.022922895
1494	0.00477	0.00063501	0.02286031
1495	0.00476	0.000633275	0.022797975
1496	0.00475	0.00063155	0.0227358
1497	0.00474	0.000629825	0.022673775
1498	0.00473	0.00062811	0.02261196
1499	0.00472	0.000626395	0.022550295
1500	0.00471	0.00062469	0.02248884
1501	0.0047	0.000622985	0.022427535
1502	0.00469	0.00062129	0.02236644
1503	0.00468	0.000619595	0.022305495
1504	0.00467	0.00061791	0.02224476
1505	0.00466	0.000616225	0.022184175
1506	0.00465	0.00061455	0.02212375
1507	0.00464	0.000612875	0.022063525
1508	0.00463	0.000611205	0.022003455
1509	0.00462	0.000609545	0.021943595
1510	0.00461	0.000607885	0.021883885
1511	0.0046	0.00060623	0.02182433
1512	0.00459	0.00060458	0.02176498
1513	0.00458	0.00060294	0.02170579
1514	0.00457	0.0006013	0.02164675
1515	0.00456	0.000599665	0.021587915
1516	0.00455	0.000598035	0.021529235
1517	0.00454	0.00059641	0.02147071
1518	0.00453	0.00059479	0.02141234
1519	0.00452	0.00059317	0.02135417
1520	0.00451	0.00059156	0.02129616
1521	0.0045	0.000589955	0.021238355
1522	0.00449	0.00058835	0.02118065
1523	0.00448	0.000586755	0.021123155
1524	0.00447	0.00058516	0.02106581
1525	0.00446	0.000583575	0.021008675
1526	0.00445	0.00058199	0.02095164
1527	0.00444	0.00058041	0.02089481
1528	0.00443	0.000578835	0.020838135
1529	0.00442	0.00057727	0.02078162
1530	0.00441	0.0005757	0.0207253
1531	0.0044	0.00057414	0.02066909
1532	0.00439	0.000572585	0.020613085
1533	0.00438	0.000571035	0.020557235
1534	0.00437	0.000569485	0.020501535
1535	0.00436	0.000567945	0.020445995
1536	0.00435	0.000566405	0.020390605
1537	0.00434	0.00056487	0.02033537
1538	0.00433	0.000563345	0.020280345
1539	0.00432	0.00056182	0.02022542
1540	0.00431	0.000560295	0.020170695
1541	0.0043	0.00055878	0.02011613

1542	0.00429	0.00055727	0.02006167
1543	0.00428	0.00055576	0.02000741
1544	0.00427	0.00055426	0.01995331
1545	0.00426	0.00055276	0.01989936
1546	0.00426	0.000551265	0.019845565
1547	0.00424	0.000549775	0.019791925
1548	0.00424	0.00054829	0.01973844
1549	0.00422	0.00054681	0.01968511
1550	0.00422	0.00054533	0.01963193
1551	0.0042	0.00054386	0.01957891
1552	0.0042	0.00054239	0.01952604
1553	0.00418	0.000540925	0.019473325
1554	0.00418	0.000539465	0.019420765
1555	0.00417	0.00053801	0.01936836
1556	0.00416	0.00053656	0.01931611
1557	0.00415	0.00053511	0.01926396
1558	0.00414	0.000533665	0.019212015
1559	0.00413	0.00053223	0.01916023
1560	0.00412	0.000530795	0.019108545
1561	0.00411	0.00052936	0.01905706
1562	0.0041	0.000527935	0.019005685
1563	0.00409	0.000526515	0.018954465
1564	0.00408	0.000525095	0.018903395
1565	0.00407	0.00052368	0.01885248
1566	0.00406	0.00052227	0.01880172
1567	0.00405	0.000520865	0.018751065
1568	0.00404	0.00051946	0.01870061
1569	0.00403	0.000518065	0.018650265
1570	0.00403	0.00051667	0.01860007
1571	0.00401	0.00051528	0.01855003
1572	0.00401	0.000513895	0.018500145
1573	0.00399	0.00051251	0.01845041
1574	0.00399	0.000511135	0.018400785
1575	0.00398	0.00050976	0.01835131
1576	0.00397	0.00050839	0.01830199
1577	0.00396	0.000507025	0.018252825
1578	0.00395	0.00050566	0.01820376
1579	0.00394	0.0005043	0.01815485
1580	0.00393	0.00050295	0.0181061
1581	0.00392	0.000501595	0.018057495
1582	0.00391	0.00050025	0.01800905
1583	0.0039	0.000498908	0.017960708
1584	0.00389	0.00049757	0.01791252
1585	0.00388	0.000496235	0.01786435
1586	0.00388	0.000494904	0.017816504
1587	0.00386	0.000493576	0.017768726
1588	0.00386	0.000492253	0.017721103
1589	0.00385	0.000490933	0.017673583
1590	0.00384	0.000489617	0.017626217
1591	0.00383	0.000488305	0.017579005
1592	0.00382	0.000486997	0.017531897
1593	0.00381	0.000485693	0.017484943
1594	0.0038	0.000484392	0.017438092
1595	0.00379	0.000483095	0.017391395
1596	0.00378	0.000481802	0.017344852
1597	0.00377	0.000480512	0.017298462
1598	0.00377	0.000479227	0.017252127
1599	0.00375	0.000477945	0.017205995
1600	0.00375	0.000476666	0.017159966
1601	0.00374	0.000475392	0.017114092
1602	0.00373	0.000474121	0.017068321
1603	0.00372	0.000472853	0.017022703
1604	0.00371	0.000471589	0.016977189
1605	0.0037	0.000470329	0.016931829
1606	0.00369	0.000469073	0.016886623
1607	0.00368	0.00046782	0.01684152
1608	0.00367	0.000466571	0.016796521
1609	0.00366	0.000465325	0.016751725
1610	0.00366	0.000464083	0.016706983
1611	0.00364	0.000462845	0.016662395
1612	0.00364	0.00046161	0.01661796
1613	0.00363	0.000460379	0.016573629
1614	0.00362	0.000459151	0.016529401
1615	0.00361	0.000457927	0.016485327
1616	0.0036	0.000456706	0.016441406
1617	0.00359	0.000455489	0.016397589
1618	0.00359	0.000454275	0.016353875
1619	0.00357	0.000453065	0.016310315
1620	0.00357	0.000451858	0.016266858
1621	0.00356	0.000450655	0.016223555

1622	0.00355	0.000449455	0.016180355
1623	0.00354	0.000448258	0.016137308
1624	0.00353	0.000447066	0.016094366
1625	0.00352	0.000445876	0.016051526
1626	0.00351	0.00044469	0.01600884
1627	0.0035	0.000443507	0.015966257
1628	0.0035	0.000442328	0.015923778
1629	0.00348	0.000441152	0.015881452
1630	0.00348	0.00043998	0.01583928
1631	0.00347	0.00043881	0.01579716
1632	0.00346	0.000437645	0.015755195
1633	0.00345	0.000436482	0.015713332
1634	0.00344	0.000435323	0.015671623
1635	0.00343	0.000434167	0.015630017
1636	0.00343	0.000433015	0.015588515
1637	0.00341	0.000431866	0.015547166
1638	0.00341	0.00043072	0.01550592
1639	0.0034	0.000429578	0.015464778
1640	0.00339	0.000428438	0.015423788
1641	0.00338	0.000427302	0.015382852
1642	0.00337	0.00042617	0.01534212
1643	0.00336	0.00042504	0.01530144
1644	0.00336	0.000423914	0.015260914
1645	0.00334	0.000422791	0.015220441
1646	0.00334	0.000421671	0.015180171
1647	0.00333	0.000420554	0.015139954
1648	0.00332	0.000419441	0.015099891
1649	0.00331	0.000418331	0.015059881
1650	0.0033	0.000417224	0.015020074
1651	0.00329	0.00041612	0.01498032
1652	0.00329	0.000415019	0.014940669
1653	0.00327	0.000413922	0.014901172
1654	0.00327	0.000412828	0.014861778
1655	0.00326	0.000411736	0.014822486
1656	0.00325	0.000410648	0.014783348
1657	0.00324	0.000409563	0.014744263
1658	0.00323	0.000408482	0.014705332
1659	0.00322	0.000407403	0.014666503
1660	0.00322	0.000406327	0.014627777
1661	0.00321	0.000405254	0.014589154
1662	0.0032	0.000404185	0.014550635
1663	0.00319	0.000403119	0.014512269
1664	0.00318	0.000402055	0.014473955
1665	0.00317	0.000400995	0.014435795
1666	0.00317	0.000399937	0.014397737
1667	0.00315	0.000398883	0.014359783
1668	0.00315	0.000397832	0.014321932
1669	0.00314	0.000396784	0.014284184
1670	0.00313	0.000395738	0.014246588
1671	0.00312	0.000394696	0.014209046
1672	0.00312	0.000393657	0.014171657
1673	0.0031	0.00039262	0.01413432
1674	0.0031	0.000391587	0.014097137
1675	0.00309	0.000390557	0.014060057
1676	0.00308	0.000389529	0.014023029
1677	0.00307	0.000388505	0.013986155
1678	0.00306	0.000387483	0.013949383
1679	0.00305	0.000386465	0.013912715
1680	0.00305	0.000385449	0.013876149
1681	0.00304	0.000384436	0.013839686
1682	0.00303	0.000383426	0.013803326
1683	0.00302	0.000382419	0.013767069
1684	0.00301	0.000381415	0.013730915
1685	0.003	0.000380413	0.013694863
1686	0.003	0.000379415	0.013658915
1687	0.00299	0.000378419	0.013623069
1688	0.00298	0.000377427	0.013587327
1689	0.00297	0.000376437	0.013551687
1690	0.00296	0.000375449	0.013516149
1691	0.00295	0.000374465	0.013480715
1692	0.00295	0.000373484	0.013445384
1693	0.00294	0.000372505	0.013410155
1694	0.00293	0.000371529	0.013375029
1695	0.00292	0.000370556	0.013340006
1696	0.00291	0.000369586	0.013305086
1697	0.0029	0.000368618	0.013270268
1698	0.0029	0.000367653	0.013235503
1699	0.00289	0.000366691	0.013200891
1700	0.00288	0.000365732	0.013166332
1701	0.00287	0.000364775	0.013131925

1702	0.00287	0.000363822	0.013097572
1703	0.00285	0.00036287	0.01306332
1704	0.00285	0.000361922	0.013029172
1705	0.00284	0.000360976	0.012995126
1706	0.00283	0.000360033	0.012961183
1707	0.00282	0.000359093	0.012927343
1708	0.00282	0.000358155	0.012893605
1709	0.0028	0.00035722	0.01285992
1710	0.0028	0.000356288	0.012826338
1711	0.00279	0.000355358	0.012792908
1712	0.00278	0.000354431	0.012759531
1713	0.00277	0.000353507	0.012726257
1714	0.00277	0.000352585	0.012693035
1715	0.00276	0.000351666	0.012659966
1716	0.00275	0.00035075	0.012627
1717	0.00274	0.000349836	0.012594086
1718	0.00273	0.000348924	0.012561274
1719	0.00272	0.000348016	0.012528566
1720	0.00272	0.00034711	0.01249596
1721	0.00271	0.000346206	0.012463406
1722	0.0027	0.000345305	0.012430955
1723	0.00269	0.000344407	0.012398607
1724	0.00269	0.000343511	0.012366361
1725	0.00267	0.000342617	0.012334217
1726	0.00267	0.000341727	0.012302127
1727	0.00266	0.000340838	0.012270188
1728	0.00265	0.000339953	0.012238303
1729	0.00264	0.000339069	0.012206469
1730	0.00264	0.000338189	0.012174789
1731	0.00263	0.000337311	0.012143161
1732	0.00262	0.000336435	0.012111635
1733	0.00261	0.000335562	0.012080212
1734	0.00261	0.000334691	0.012048841
1735	0.00259	0.000333823	0.012017623
1736	0.00259	0.000332957	0.011986457
1737	0.00258	0.000332093	0.011955343
1738	0.00257	0.000331233	0.011924383
1739	0.00256	0.000330374	0.011893474
1740	0.00256	0.000329518	0.011862618
1741	0.00255	0.000328664	0.011831914
1742	0.00254	0.000327813	0.011801263
1743	0.00253	0.000326964	0.011770714
1744	0.00253	0.000326118	0.011740268
1745	0.00251	0.000325274	0.011709874
1746	0.00251	0.000324433	0.011679583
1747	0.0025	0.000323593	0.011649343
1748	0.00249	0.000322757	0.011619207
1749	0.00248	0.000321922	0.011589172
1750	0.00248	0.00032109	0.01155924
1751	0.00247	0.00032026	0.01152936
1752	0.00246	0.000319433	0.011499583
1753	0.00245	0.000318608	0.011469858
1754	0.00245	0.000317785	0.011440285
1755	0.00244	0.000316965	0.011410715
1756	0.00243	0.000316147	0.011381297
1757	0.00242	0.000315331	0.011351931
1758	0.00242	0.000314518	0.011322618
1759	0.0024	0.000313707	0.011293407
1760	0.0024	0.000312898	0.011264298
1761	0.00239	0.000312091	0.011235291
1762	0.00238	0.000311287	0.011206337
1763	0.00237	0.000310485	0.011177435
1764	0.00237	0.000309685	0.011148685
1765	0.00236	0.000308888	0.011119938
1766	0.00235	0.000308093	0.011091343
1767	0.00234	0.0003073	0.0110628
1768	0.00234	0.000306509	0.011034309
1769	0.00232	0.00030572	0.01100592
1770	0.00232	0.000304934	0.010977634
1771	0.00231	0.00030415	0.0109494
1772	0.00231	0.000303368	0.010921268
1773	0.00229	0.000302589	0.010893189
1774	0.00229	0.000301811	0.010865211
1775	0.00228	0.000301036	0.010837286
1776	0.00227	0.000300263	0.010809463
1777	0.00226	0.000299492	0.010781692
1778	0.00226	0.000298724	0.010754024
1779	0.00225	0.000297957	0.010726457
1780	0.00224	0.000297193	0.010698943
1781	0.00223	0.00029643	0.01067148

1782	0.00223	0.00029567	0.01064412
1783	0.00222	0.000294912	0.010616862
1784	0.00221	0.000294157	0.010589657
1785	0.0022	0.000293403	0.010562503
1786	0.0022	0.000292652	0.010535452
1787	0.00218	0.000291902	0.010508452
1788	0.00218	0.000291155	0.010481555
1789	0.00217	0.00029041	0.01045476
1790	0.00217	0.000289667	0.010427967
1791	0.00215	0.000288925	0.010401325
1792	0.00215	0.000288187	0.010374687
1793	0.00214	0.00028745	0.0103482
1794	0.00213	0.000286715	0.010321715
1795	0.00212	0.000285982	0.010295332
1796	0.00212	0.000285252	0.010269052
1797	0.00211	0.000284523	0.010242823
1798	0.0021	0.000283796	0.010216646
1799	0.00209	0.000283072	0.010190572
1800	0.00209	0.00028235	0.01016455
1801	0.00208	0.000281629	0.010138629
1802	0.00207	0.000280911	0.010112761
1803	0.00206	0.000280194	0.010086994
1804	0.00206	0.00027948	0.01006128
1805	0.00205	0.000278768	0.010035618
1806	0.00204	0.000278057	0.010010057
1807	0.00203	0.000277349	0.009984549
1808	0.00203	0.000276642	0.009959092
1809	0.00201	0.000275938	0.009933738
1810	0.00201	0.000275236	0.009908486
1811	0.002	0.000274535	0.009883235
1812	0.002	0.000273837	0.009858087
1813	0.00198	0.00027314	0.00983304
1814	0.00198	0.000272445	0.009808045
1815	0.00197	0.000271753	0.009783103
1816	0.00197	0.000271062	0.009758212
1817	0.00195	0.000270373	0.009733423
1818	0.00195	0.000269687	0.009708687
1819	0.00194	0.000269002	0.009684052
1820	0.00193	0.000268319	0.009659469
1821	0.00192	0.000267638	0.009634938
1822	0.00192	0.000266958	0.009610508
1823	0.00191	0.000266281	0.009586131
1824	0.0019	0.000265606	0.009561806
1825	0.00189	0.000264932	0.009537532
1826	0.00189	0.000264261	0.009513361
1827	0.00188	0.000263591	0.009489241
1828	0.00187	0.000262923	0.009465223
1829	0.00186	0.000262257	0.009441257
1830	0.00186	0.000261593	0.009417343
1831	0.00185	0.000260931	0.009393481
1832	0.00184	0.00026027	0.00936972
1833	0.00183	0.000259612	0.009346012
1834	0.00183	0.000258955	0.009322355
1835	0.00182	0.0002583	0.0092988
1836	0.00181	0.000257647	0.009275297
1837	0.0018	0.000256996	0.009251846
1838	0.0018	0.000256346	0.009228446
1839	0.00178	0.000255699	0.009205149
1840	0.00178	0.000255053	0.009181903
1841	0.00177	0.000254409	0.009158709
1842	0.00177	0.000253767	0.009135617
1843	0.00175	0.000253126	0.009112526
1844	0.00175	0.000252488	0.009089538
1845	0.00174	0.000251851	0.009066601
1846	0.00174	0.000251216	0.009043766
1847	0.00172	0.000250583	0.009020983
1848	0.00172	0.000249951	0.008998251
1849	0.00171	0.000249321	0.008975571
1850	0.0017	0.000248693	0.008952943
1851	0.00169	0.000248067	0.008930417
1852	0.00169	0.000247442	0.008907942
1853	0.00168	0.00024682	0.00888552
1854	0.00167	0.000246199	0.008863149
1855	0.00166	0.000245579	0.008840829
1856	0.00166	0.000244962	0.008818612
1857	0.00165	0.000244346	0.008796446
1858	0.00164	0.000243732	0.008774332
1859	0.00163	0.000243119	0.008752269
1860	0.00163	0.000242508	0.008730308
1861	0.00161	0.000241899	0.008708349

1862	0.00161	0.000241292	0.008686492
1863	0.0016	0.000240686	0.008664686
1864	0.0016	0.000240082	0.008642932
1865	0.00158	0.00023948	0.00862128
1866	0.00158	0.000238879	0.008599629
1867	0.00157	0.00023828	0.00857808
1868	0.00157	0.000237683	0.008556583
1869	0.00155	0.000237087	0.008535137
1870	0.00155	0.000236493	0.008513743
1871	0.00154	0.000235901	0.008492451
1872	0.00153	0.00023531	0.00847116
1873	0.00152	0.000234721	0.008449971
1874	0.00152	0.000234134	0.008428834
1875	0.00151	0.000233548	0.008407698
1876	0.0015	0.000232964	0.008386714
1877	0.00149	0.000232381	0.008365731
1878	0.00149	0.0002318	0.0083448
1879	0.00147	0.000231221	0.008323971
1880	0.00147	0.000230643	0.008303143
1881	0.00146	0.000230067	0.008282417
1882	0.00146	0.000229493	0.008261743
1883	0.00144	0.00022892	0.00824112
1884	0.00144	0.000228348	0.008220548
1885	0.00143	0.000227779	0.008200029
1886	0.00142	0.00022721	0.00817956
1887	0.00141	0.000226644	0.008159144
1888	0.00141	0.000226079	0.008138829
1889	0.0014	0.000225515	0.008118565
1890	0.00139	0.000224953	0.008098303
1891	0.00138	0.000224393	0.008078143
1892	0.00138	0.000223834	0.008058034
1893	0.00136	0.000223277	0.008037977
1894	0.00136	0.000222721	0.008017971
1895	0.00135	0.000222167	0.007998017
1896	0.00135	0.000221614	0.007978114
1897	0.00133	0.000221063	0.007958263
1898	0.00133	0.000220513	0.007938463
1899	0.00132	0.000219965	0.007918765
1900	0.00131	0.000219419	0.007899069
1901	0.0013	0.000218874	0.007879424
1902	0.0013	0.00021833	0.00785988
1903	0.00128	0.000217788	0.007840338
1904	0.00128	0.000217247	0.007820897
1905	0.00127	0.000216708	0.007801508
1906	0.00126	0.000216171	0.007782121
1907	0.00125	0.000215634	0.007762834
1908	0.00125	0.0002151	0.0077436
1909	0.00123	0.000214567	0.007724367
1910	0.00123	0.000214035	0.007705235
1911	0.00122	0.000213505	0.007686155
1912	0.00122	0.000212976	0.007667126
1913	0.0012	0.000212449	0.007648149
1914	0.0012	0.000211923	0.007629223
1915	0.00118	0.000211398	0.007610348
1916	0.00118	0.000210875	0.007591525
1917	0.00117	0.000210354	0.007572704
1918	0.00117	0.000209834	0.007553984
1919	0.00115	0.000209315	0.007535315
1920	0.00115	0.000208798	0.007516698
1921	0.00113	0.000208282	0.007498132
1922	0.00113	0.000207767	0.007479617
1923	0.00112	0.000207254	0.007461154
1924	0.00111	0.000206743	0.007442743
1925	0.0011	0.000206233	0.007424383
1926	0.0011	0.000205724	0.007406024
1927	0.00108	0.000205216	0.007387766
1928	0.00108	0.00020471	0.00736956
1929	0.00106	0.000204206	0.007351406
1930	0.00106	0.000203703	0.007333303
1931	0.00105	0.000203201	0.007315201
1932	0.00105	0.0002027	0.0072972
1933	0.00103	0.000202201	0.007279251
1934	0.00103	0.000201703	0.007261303
1935	0.00101	0.000201207	0.007243457
1936	0.00101	0.000200712	0.007225612
1937	0.000994	0.000200218	0.007207868
1938	0.000992	0.000199726	0.007190126
1939	0.000976	0.000199235	0.007172435
1940	0.000974	0.000198745	0.007154845
1941	0.000957	0.000198257	0.007137257

1942	0.000956	0.00019777	0.00711972
1943	0.000939	0.000197285	0.007102235
1944	0.000937	0.0001968	0.0070848
1945	0.00092	0.000196317	0.007067417
1946	0.000918	0.000195836	0.007050086
1947	0.000901	0.000195356	0.007032806
1948	0.0009	0.000194877	0.007015527
1949	0.000882	0.000194399	0.006998349
1950	0.00088	0.000193923	0.006981223
1951	0.000863	0.000193447	0.006964097
1952	0.000861	0.000192974	0.006947024
1953	0.000843	0.000192501	0.006930051
1954	0.000841	0.00019203	0.00691308
1955	0.000823	0.00019156	0.00689616
1956	0.000822	0.000191091	0.006879291
1957	0.000803	0.000190624	0.006862474
1958	0.000801	0.000190158	0.006845658
1959	0.000782	0.000189693	0.006828943
1960	0.000781	0.00018923	0.00681228
1961	0.000761	0.000188767	0.006795617
1962	0.00076	0.000188306	0.006779006
1963	0.00074	0.000187847	0.006762447
1964	0.000739	0.000187388	0.006745988
1965	0.000718	0.000186931	0.006729481
1966	0.000717	0.000186475	0.006713075
1967	0.000696	0.00018602	0.00669672
1968	0.000695	0.000185567	0.006680367
1969	0.000673	0.000185114	0.006664114
1970	0.000672	0.000184663	0.006647863
1971	0.00065	0.000184213	0.006631663
1972	0.000649	0.000183765	0.006615515
1973	0.000626	0.000183317	0.006599417
1974	0.000625	0.000182871	0.006583371
1975	0.000601	0.000182426	0.006567326
1976	0.0006	0.000181983	0.006551383
1977	0.000576	0.00018154	0.00653544
1978	0.000575	0.000181099	0.006519549
1979	0.00055	0.000180659	0.006503709
1980	0.000549	0.00018022	0.00648792
1981	0.000522	0.000179782	0.006472132
1982	0.000521	0.000179345	0.006456445
1983	0.000493	0.00017891	0.00644076
1984	0.000493	0.000178476	0.006425126
1985	0.000463	0.000178043	0.006409543
1986	0.000463	0.000177611	0.006393961
1987	0.000431	0.00017718	0.00637848
1988	0.000431	0.000176751	0.006363001
1989	0.000397	0.000176322	0.006347572
1990	0.000397	0.000175895	0.006332195
1991	0.00036	0.000175469	0.006316869
1992	0.00036	0.000175044	0.006301594
1993	0.000319	0.00017462	0.00628632
1994	0.000319	0.000174198	0.006271098
1995	0.000273	0.000173776	0.006255926
1996	0.000273	0.000173356	0.006240806
1997	0.000218	0.000172937	0.006225737
1998	0.000218	0.000172519	0.006210669
1999	0.000145	0.000172102	0.006195652
2000		0.000171686	0.006180686
2001		0.000171272	0.006165772
2002		0.000170858	0.006150908
2003		0.000170446	0.006136046
2004		0.000170035	0.006121235
2005		0.000169624	0.006106474
2006		0.000169215	0.006091765
2007		0.000168807	0.006077057
2008		0.0001684	0.0060624
2009		0.000167995	0.006047795
2010		0.00016759	0.00603324
2011		0.000167186	0.006018686
2012		0.000166784	0.006004234
2013		0.000166383	0.005989783
2014		0.000165982	0.005975332
2015		0.000165583	0.005960983
2016		0.000165185	0.005946635
2017		0.000164788	0.005932338
2018		0.000164392	0.005918092
2019		0.000163997	0.005903897
2020		0.000163603	0.005889703
2021		0.00016321	0.00587556

2022	0.000162818	0.005861468
2023	0.000162427	0.005847377
2024	0.000162038	0.005833338
2025	0.000161649	0.005819349
2026	0.000161262	0.005805412
2027	0.000160875	0.005791475
2028	0.00016049	0.00577764
2029	0.000160105	0.005763755
2030	0.000159722	0.005749972
2031	0.000159339	0.005736189
2032	0.000158958	0.005722458
2033	0.000158578	0.005708778
2034	0.000158198	0.005695148
2035	0.00015782	0.00568152
2036	0.000157443	0.005667943
2037	0.000157066	0.005654366
2038	0.000156691	0.005640891
2039	0.000156317	0.005627417
2040	0.000155944	0.005613944
2041	0.000155571	0.005600571
2042	0.0001552	0.0055872
2043	0.00015483	0.00557388
2044	0.00015446	0.00556056
2045	0.000154092	0.005547292
2046	0.000153725	0.005534075
2047	0.000153359	0.005520909
2048	0.000152993	0.005507743
2049	0.000152629	0.005494629
2050	0.000152265	0.005481565
2051	0.000151903	0.005468503
2052	0.000151542	0.005455492
2053	0.000151181	0.005442531
2054	0.000150822	0.005429572
2055	0.000150463	0.005416663
2056	0.000150105	0.005403805
2057	0.000149749	0.005390949
2058	0.000149393	0.005378143
2059	0.000149038	0.005365388
2060	0.000148684	0.005352634
2061	0.000148332	0.005339932
2062	0.00014798	0.00532728
2063	0.000147629	0.005314629
2064	0.000147279	0.005302029
2065	0.00014693	0.00528943
2066	0.000146581	0.005276931
2067	0.000146234	0.005264434
2068	0.000145888	0.005251938
2069	0.000145542	0.005239492
2070	0.000145198	0.005227098
2071	0.000144854	0.005214754
2072	0.000144512	0.005202412
2073	0.00014417	0.00519012
2074	0.000143829	0.005177829
2075	0.000143489	0.005165589
2076	0.00014315	0.0051534
2077	0.000142812	0.005141222
2078	0.000142475	0.005129085
2079	0.000142138	0.005116973
2080	0.000141803	0.005104898
2081	0.000141468	0.005092853
2082	0.000141135	0.005080845
2083	0.000140802	0.005068862
2084	0.00014047	0.005056915
2085	0.000140139	0.005044999
2086	0.000139809	0.005033114
2087	0.00013948	0.00502126
2088	0.000139151	0.005009441
2089	0.000138824	0.004997649
2090	0.000138497	0.004985892
2091	0.000138171	0.004974161
2092	0.000137847	0.004962467
2093	0.000137522	0.004950797
2094	0.000137199	0.004939164
2095	0.000136877	0.004927557
2096	0.000136555	0.004915985
2097	0.000136235	0.004904445
2098	0.000135915	0.00489293
2099	0.000135596	0.004881446
2100	0.000135278	0.004869998
2101	0.000134961	0.004858576

2102	0.000134644	0.004847184
2103	0.000134329	0.004835824
2104	0.000134014	0.004824494
2105	0.0001337	0.00481319
2106	0.000133387	0.004801917
2107	0.000133075	0.004790675
2108	0.000132763	0.004779463
2109	0.000132453	0.004768283
2110	0.000132143	0.004757128
2111	0.000131834	0.004746004
2112	0.000131526	0.004734911
2113	0.000131218	0.004723848
2114	0.000130912	0.004712812
2115	0.000130606	0.004701806
2116	0.000130301	0.004690826
2117	0.000129997	0.004679877
2118	0.000129694	0.004668959
2119	0.000129391	0.004658066
2120	0.000129089	0.004647204
2121	0.000128788	0.004636368
2122	0.000128488	0.004625563
2123	0.000128189	0.004614784
2124	0.00012789	0.00460404
2125	0.000127592	0.004593317
2126	0.000127295	0.004582625
2127	0.000126999	0.004571959
2128	0.000126704	0.004561324
2129	0.000126409	0.004550714
2130	0.000126115	0.004540135
2131	0.000125822	0.004529582
2132	0.00012553	0.00451906
2133	0.000125238	0.004508558
2134	0.000124947	0.004498092
2135	0.000124657	0.004487647
2136	0.000124368	0.004477233
2137	0.000124079	0.004466844
2138	0.000123791	0.004456481
2139	0.000123504	0.004446149
2140	0.000123218	0.004435843
2141	0.000122933	0.004425563
2142	0.000122648	0.004415313
2143	0.000122364	0.004405084
2144	0.00012208	0.004394885
2145	0.000121798	0.004384713
2146	0.000121516	0.004374571
2147	0.000121235	0.004364445
2148	0.000120955	0.004354355
2149	0.000120675	0.00434429
2150	0.000120396	0.004334251
2151	0.000120118	0.004324238
2152	0.00011984	0.00431425
2153	0.000119564	0.004304284
2154	0.000119288	0.004294353
2155	0.000119012	0.004284442
2156	0.000118738	0.004274558
2157	0.000118464	0.004264699
2158	0.000118191	0.004254866
2159	0.000117919	0.004245059
2160	0.000117647	0.004235277
2161	0.000117376	0.004225521
2162	0.000117106	0.004215791
2163	0.000116836	0.004206086
2164	0.000116567	0.004196407
2165	0.000116299	0.004186754
2166	0.000116031	0.004177126
2167	0.000115765	0.00416752
2168	0.000115499	0.004157939
2169	0.000115233	0.004148383
2170	0.000114968	0.004138858
2171	0.000114704	0.004129349
2172	0.000114441	0.004119871
2173	0.000114178	0.004110413
2174	0.000113916	0.004100986
2175	0.000113655	0.004091575
2176	0.000113395	0.004082195
2177	0.000113135	0.004072835
2178	0.000112875	0.004063505
2179	0.000112617	0.004054197
2180	0.000112359	0.004044909
2181	0.000112102	0.004035647

2182	0.000111845	0.00402641
2183	0.000111589	0.004017199
2184	0.000111334	0.004008009
2185	0.000111079	0.003998844
2186	0.000110825	0.0039897
2187	0.000110572	0.003980582
2188	0.000110319	0.003971489
2189	0.000110067	0.003962417
2190	0.000109816	0.003953371
2191	0.000109565	0.003944345
2192	0.000109315	0.003935345
2193	0.000109066	0.003926366
2194	0.000108817	0.003917412
2195	0.000108569	0.003908484
2196	0.000108322	0.003899577
2197	0.000108075	0.00389069
2198	0.000107829	0.003881829
2199	0.000107583	0.003872988
2200	0.000107338	0.003864173
2201	0.000107094	0.003855379
2202	0.00010685	0.003846605
2203	0.000106607	0.003837857
2204	0.000106365	0.003829135
2205	0.000106123	0.003820428
2206	0.000105882	0.003811747
2207	0.000105642	0.003803092
2208	0.000105402	0.003794452
2209	0.000105162	0.003785837
2210	0.000104924	0.003777249
2211	0.000104686	0.003768676
2212	0.000104448	0.003760128
2213	0.000104211	0.003751601
2214	0.000103975	0.0037431
2215	0.00010374	0.00373462
2216	0.000103505	0.00372616
2217	0.00010327	0.00371772
2218	0.000103036	0.003709301
2219	0.000102803	0.003700908
2220	0.000102571	0.003692536
2221	0.000102339	0.003684184
2222	0.000102107	0.003675852
2223	0.000101876	0.003667541
2224	0.000101646	0.003659256
2225	0.000101417	0.003650987
2226	0.000101188	0.003642743
2227	0.000100959	0.003634519
2228	0.000100731	0.003626316
2229	0.000100504	0.003618129
2230	0.000100277	0.003609972
2231	0.000100051	0.003601831
2232	9.98255E-05	0.003593711
2233	9.96005E-05	0.003585611
2234	0.000099376	0.003577531
2235	0.000099152	0.003569477
2236	0.000098929	0.003561439
2237	0.000098706	0.003553421
2238	0.000098484	0.003545429
2239	9.82625E-05	0.003537453
2240	9.80415E-05	0.003529497
2241	0.000097821	0.003521561
2242	9.76015E-05	0.003513647
2243	0.000097382	0.003505752
2244	9.71635E-05	0.003497879
2245	0.000096945	0.003490025
2246	9.67275E-05	0.003482193
2247	9.65105E-05	0.003474376
2248	0.000096294	0.003466584
2249	0.000096078	0.003458808
2250	9.58625E-05	0.003451053
2251	9.56475E-05	0.003443318
2252	9.54335E-05	0.003435604
2253	9.52195E-05	0.00342791
2254	9.50065E-05	0.003420232
2255	0.000094794	0.003412574
2256	9.45815E-05	0.003404942
2257	0.00009437	0.00339732
2258	0.000094159	0.003389724
2259	9.39485E-05	0.003382144
2260	9.37385E-05	0.003374589
2261	0.000093529	0.003367044

2262	0.00009332	0.003359525
2263	9.31115E-05	0.003352022
2264	0.000092904	0.003344539
2265	9.26965E-05	0.003337077
2266	0.00009249	0.00332963
2267	9.22835E-05	0.003322204
2268	9.20775E-05	0.003314798
2269	9.18725E-05	0.003307408
2270	0.000091668	0.003300043
2271	9.14635E-05	0.003292689
2272	0.00009126	0.00328536
2273	9.10565E-05	0.003278042
2274	0.000090854	0.003270749
2275	0.000090652	0.003263472
2276	9.04505E-05	0.003256216
2277	0.000090249	0.003248974
2278	9.00485E-05	0.003241754
2279	8.98485E-05	0.003234549
2280	0.000089649	0.003227364
2281	0.00008945	0.003220195
2282	8.92515E-05	0.003213047
2283	0.000089053	0.003205913
2284	8.88555E-05	0.003198801
2285	8.86585E-05	0.003191709
2286	0.000088462	0.003184632
2287	0.000088266	0.003177571
2288	8.80705E-05	0.003170531
2289	0.000087875	0.003163505
2290	8.76805E-05	0.003156501
2291	8.74865E-05	0.003149512
2292	0.000087293	0.003142543
2293	8.70995E-05	0.00313559
2294	0.000086907	0.003128652
2295	0.000086715	0.003121735
2296	0.000086523	0.003114833
2297	0.000086332	0.003107952
2298	8.61415E-05	0.003101087
2299	0.000085951	0.003094236
2300	8.57615E-05	0.003087407
2301	0.000085572	0.003080592
2302	0.000085383	0.003073793
2303	0.000085195	0.003067015
2304	0.000085007	0.003060252
2305	8.48195E-05	0.003053505
2306	8.46325E-05	0.003046778
2307	0.000084446	0.003040066
2308	8.42605E-05	0.003033371
2309	8.40745E-05	0.00302669
2310	8.38895E-05	0.00302003
2311	0.000083705	0.003013385
2312	0.000083521	0.003006756
2313	8.33375E-05	0.003000143
2314	0.000083154	0.002993549
2315	8.29715E-05	0.002986972
2316	0.000082789	0.002980409
2317	8.26075E-05	0.002973863
2318	0.000082426	0.002967336
2319	0.000082245	0.00296082
2320	8.20645E-05	0.002954325
2321	8.18845E-05	0.002947845
2322	0.000081705	0.00294138
2323	0.000081526	0.002934931
2324	0.000081347	0.002928497
2325	0.000081169	0.002922084
2326	0.000080991	0.002915681
2327	0.000080814	0.002909299
2328	0.000080637	0.002902932
2329	8.04605E-05	0.002896581
2330	8.02845E-05	0.002890245
2331	0.000080109	0.002883924
2332	0.000079934	0.002877619
2333	0.000079759	0.002871329
2334	0.000079585	0.002865055
2335	0.000079411	0.002858796
2336	7.92375E-05	0.002852558
2337	7.90645E-05	0.00284633
2338	0.000078892	0.002840122
2339	0.00007872	0.002833925
2340	7.85485E-05	0.002827744
2341	0.000078377	0.002821577

2342	7.82065E-05	0.002815432
2343	0.000078036	0.002809296
2344	0.000077866	0.002803176
2345	7.76965E-05	0.002797077
2346	7.75275E-05	0.002790988
2347	7.73585E-05	0.002784914
2348	7.71905E-05	0.002778856
2349	7.70225E-05	0.002772813
2350	0.000076855	0.002766785
2351	0.000076688	0.002760768
2352	7.65215E-05	0.002754772
2353	0.000076355	0.00274879
2354	7.61895E-05	0.00274282
2355	0.000076024	0.002736869
2356	0.000075859	0.002730929
2357	7.56945E-05	0.002725005
2358	7.55305E-05	0.002719096
2359	7.53665E-05	0.002713202
2360	7.52035E-05	0.002707319
2361	7.50405E-05	0.002701456
2362	0.000074878	0.002695603
2363	7.47155E-05	0.002689766
2364	0.000074554	0.002683944
2365	7.43925E-05	0.002678138
2366	7.42315E-05	0.002672342
2367	0.000074071	0.002666561
2368	0.000073911	0.002660801
2369	7.37515E-05	0.002655047
2370	0.000073592	0.002649312
2371	0.000073433	0.002643588
2372	7.32745E-05	0.00263788
2373	7.31165E-05	0.002632187
2374	7.29585E-05	0.002626509
2375	0.000072801	0.002620841
2376	0.000072644	0.002615189
2377	7.24875E-05	0.002609553
2378	7.23315E-05	0.002603927
2379	7.21755E-05	0.002598316
2380	0.00007202	0.00259272
2381	0.000071865	0.002587135
2382	0.00007171	0.00258157
2383	0.000071556	0.002576011
2384	0.000071402	0.002570472
2385	7.12485E-05	2.56E-03
2386	7.10955E-05	2.56E-03
2387	7.09425E-05	2.55E-03
2388	0.00007079	2.55E-03
2389	0.000070638	2.54E-03
2390	7.04865E-05	2.54E-03
2391	0.000070335	2.53E-03
2392	0.000070184	2.53E-03
2393	7.00335E-05	2.52E-03
2394	6.98835E-05	2.52E-03
2395	6.97335E-05	2.51E-03
2396	0.000069584	2.51E-03
2397	0.000069435	2.50E-03
2398	0.000069286	2.49E-03
2399	0.000069138	2.49E-03
2400	0.00006899	2.48E-03
2401	0.000068842	2.48E-03
2402	0.000068695	2.47E-03
2403	0.000068548	2.47E-03
2404	6.84015E-05	2.46E-03
2405	6.82555E-05	2.46E-03
2406	6.81095E-05	2.45E-03
2407	0.000067964	2.45E-03
2408	0.000067819	2.44E-03
2409	0.000067674	2.44E-03
2410	6.75295E-05	2.43E-03
2411	6.73855E-05	2.43E-03
2412	0.000067242	2.42E-03
2413	6.70985E-05	2.42E-03
2414	6.69555E-05	2.41E-03
2415	0.000066813	2.41E-03
2416	6.66705E-05	2.40E-03
2417	6.65285E-05	2.40E-03
2418	0.000066387	2.39E-03
2419	6.62455E-05	2.38E-03
2420	0.000066105	2.38E-03
2421	0.000065964	2.37E-03

2422	0.000065824	2.37E-03
2423	0.000065684	2.36E-03
2424	6.55445E-05	2.36E-03
2425	0.000065405	2.35E-03
2426	6.52665E-05	2.35E-03
2427	0.000065128	2.34E-03
2428	6.49895E-05	2.34E-03
2429	6.48515E-05	2.33E-03
2430	0.000064714	2.33E-03
2431	0.000064577	2.32E-03
2432	0.00006444	2.32E-03
2433	6.43035E-05	2.31E-03
2434	6.41675E-05	2.31E-03
2435	6.40315E-05	2.31E-03
2436	0.000063896	2.30E-03
2437	6.37605E-05	2.30E-03
2438	0.000063626	2.29E-03
2439	6.34915E-05	2.29E-03
2440	0.000063357	2.28E-03
2441	0.000063223	2.28E-03
2442	6.30895E-05	2.27E-03
2443	6.29565E-05	2.27E-03
2444	6.28235E-05	2.26E-03
2445	0.000062691	2.26E-03
2446	6.25585E-05	2.25E-03
2447	6.24265E-05	2.25E-03
2448	0.000062295	2.24E-03
2449	6.21635E-05	2.24E-03
2450	6.20325E-05	2.23E-03
2451	0.000061902	2.23E-03
2452	6.17715E-05	2.22E-03
2453	6.16415E-05	2.22E-03
2454	6.15115E-05	2.21E-03
2455	0.000061382	2.21E-03
2456	0.000061253	2.21E-03
2457	0.000061124	2.20E-03
2458	6.09955E-05	2.20E-03
2459	6.08675E-05	2.19E-03
2460	6.07395E-05	2.19E-03
2461	0.000060612	2.18E-03
2462	6.04845E-05	2.18E-03
2463	6.03575E-05	2.17E-03
2464	0.000060231	2.17E-03
2465	6.01045E-05	2.16E-03
2466	5.99785E-05	2.16E-03
2467	0.000059853	2.15E-03
2468	5.97275E-05	2.15E-03
2469	5.96025E-05	2.15E-03
2470	5.94775E-05	2.14E-03
2471	0.000059353	2.14E-03
2472	5.92285E-05	2.13E-03
2473	5.91045E-05	2.13E-03
2474	0.000058981	2.12E-03
2475	5.88575E-05	2.12E-03
2476	5.87345E-05	2.11E-03
2477	0.000058612	2.11E-03
2478	5.84895E-05	2.11E-03
2479	5.83675E-05	2.10E-03
2480	5.82455E-05	2.10E-03
2481	0.000058124	2.09E-03
2482	5.80025E-05	2.09E-03
2483	5.78815E-05	2.08E-03
2484	0.000057761	2.08E-03
2485	5.76405E-05	2.08E-03
2486	5.75205E-05	2.07E-03
2487	5.74005E-05	2.07E-03
2488	0.000057281	2.06E-03
2489	5.71615E-05	2.06E-03
2490	5.70425E-05	2.05E-03
2491	0.000056924	2.05E-03
2492	5.68055E-05	2.04E-03
2493	5.66875E-05	2.04E-03
2494	5.65695E-05	2.04E-03
2495	0.000056452	2.03E-03
2496	5.63345E-05	2.03E-03
2497	5.62175E-05	2.02E-03
2498	0.000056101	2.02E-03
2499	5.59845E-05	2.02E-03
2500	0.000055868	2.01E-03
2501	5.57525E-05	2.01E-03

2502	5.56365E-05	2.00E-03
2503	5.55215E-05	2.00E-03
2504	0.000055406	1.99E-03
2505	5.52915E-05	1.99E-03
2506	0.000055177	1.99E-03
2507	5.50625E-05	1.98E-03
2508	5.49485E-05	1.98E-03
2509	0.000054835	1.97E-03
2510	5.47215E-05	1.97E-03
2511	5.46085E-05	1.97E-03
2512	5.44955E-05	1.96E-03
2513	0.000054383	1.96E-03
2514	5.42705E-05	1.95E-03
2515	5.41585E-05	1.95E-03
2516	5.40465E-05	1.95E-03
2517	0.000053935	1.94E-03
2518	5.38235E-05	1.94E-03
2519	5.37125E-05	1.93E-03
2520	0.000053602	1.93E-03
2521	5.34915E-05	1.93E-03
2522	0.000053381	1.92E-03
2523	0.000053271	1.92E-03
2524	5.31615E-05	1.91E-03
2525	0.000053052	1.91E-03
2526	5.29425E-05	1.91E-03
2527	5.28335E-05	1.90E-03
2528	0.000052725	1.90E-03
2529	5.26165E-05	1.89E-03
2530	5.25085E-05	1.89E-03
2531	5.24005E-05	1.89E-03
2532	0.000052293	1.88E-03
2533	5.21855E-05	1.88E-03
2534	0.000052078	1.87E-03
2535	5.19715E-05	1.87E-03
2536	5.18645E-05	1.87E-03
2537	0.000051758	1.86E-03
2538	0.000051652	1.86E-03
2539	0.000051546	1.86E-03
2540	5.14405E-05	1.85E-03
2541	0.000051335	1.85E-03
2542	0.00005123	1.84E-03
2543	0.000051125	1.84E-03
2544	5.10205E-05	1.84E-03
2545	0.000050916	1.83E-03
2546	0.000050812	1.83E-03
2547	0.000050708	1.83E-03
2548	5.06045E-05	1.82E-03
2549	0.000050501	1.82E-03
2550	5.03975E-05	1.81E-03
2551	5.02945E-05	1.81E-03
2552	0.000050192	1.81E-03
2553	5.00895E-05	1.80E-03
2554	5.00E-05	1.80E-03
2555	4.99E-05	1.80E-03
2556	4.98E-05	1.79E-03
2557	4.97E-05	1.79E-03
2558	4.96E-05	1.78E-03
2559	4.95E-05	1.78E-03
2560	4.94E-05	1.78E-03
2561	4.93E-05	1.77E-03
2562	4.92E-05	1.77E-03
2563	4.91E-05	1.77E-03
2564	4.90E-05	1.76E-03
2565	4.89E-05	1.76E-03
2566	4.88E-05	1.76E-03
2567	4.87E-05	1.75E-03
2568	4.86E-05	1.75E-03
2569	4.85E-05	1.75E-03
2570	4.84E-05	1.74E-03
2571	4.83E-05	1.74E-03
2572	4.82E-05	1.73E-03
2573	4.81E-05	1.73E-03
2574	4.80E-05	1.73E-03
2575	4.79E-05	1.72E-03
2576	4.78E-05	1.72E-03
2577	4.77E-05	1.72E-03
2578	4.76E-05	1.71E-03
2579	4.75E-05	1.71E-03
2580	4.74E-05	1.71E-03
2581	4.73E-05	1.70E-03

2582	4.72E-05	1.70E-03
2583	4.71E-05	1.70E-03
2584	4.70E-05	1.69E-03
2585	4.69E-05	1.69E-03
2586	4.68E-05	1.69E-03
2587	4.67E-05	1.68E-03
2588	4.67E-05	1.68E-03
2589	4.66E-05	1.68E-03
2590	4.65E-05	1.67E-03
2591	4.64E-05	1.67E-03
2592	4.63E-05	1.67E-03
2593	4.62E-05	1.66E-03
2594	4.61E-05	1.66E-03
2595	4.60E-05	1.66E-03
2596	4.59E-05	1.65E-03
2597	4.58E-05	1.65E-03
2598	4.57E-05	1.65E-03
2599	4.56E-05	1.64E-03
2600	4.55E-05	1.64E-03
2601	4.54E-05	1.64E-03
2602	4.54E-05	1.63E-03
2603	4.53E-05	1.63E-03
2604	4.52E-05	1.63E-03
2605	4.51E-05	1.62E-03
2606	4.50E-05	1.62E-03
2607	4.49E-05	1.62E-03
2608	4.48E-05	1.61E-03
2609	4.47E-05	1.61E-03
2610	4.46E-05	1.61E-03
2611	4.45E-05	1.60E-03
2612	4.44E-05	1.60E-03
2613	4.44E-05	1.60E-03
2614	4.43E-05	1.59E-03
2615	4.42E-05	1.59E-03
2616	4.41E-05	1.59E-03
2617	4.40E-05	1.58E-03
2618	4.39E-05	1.58E-03
2619	4.38E-05	1.58E-03
2620	4.37E-05	1.57E-03
2621	4.37E-05	1.57E-03
2622	4.36E-05	1.57E-03
2623	4.35E-05	1.57E-03
2624	4.34E-05	1.56E-03
2625	4.33E-05	1.56E-03
2626	4.32E-05	1.56E-03
2627	4.31E-05	1.55E-03
2628	4.30E-05	1.55E-03
2629	4.30E-05	1.55E-03
2630	4.29E-05	1.54E-03
2631	4.28E-05	1.54E-03
2632	4.27E-05	1.54E-03
2633	4.26E-05	1.53E-03
2634	4.25E-05	1.53E-03
2635	4.25E-05	1.53E-03
2636	4.24E-05	1.53E-03
2637	4.23E-05	1.52E-03
2638	4.22E-05	1.52E-03
2639	4.21E-05	1.52E-03
2640	4.20E-05	1.51E-03
2641	4.19E-05	1.51E-03
2642	4.19E-05	1.51E-03
2643	4.18E-05	1.50E-03
2644	4.17E-05	1.50E-03
2645	4.16E-05	1.50E-03
2646	4.15E-05	1.50E-03
2647	4.15E-05	1.49E-03
2648	4.14E-05	1.49E-03
2649	4.13E-05	1.49E-03
2650	4.12E-05	1.48E-03
2651	4.11E-05	1.48E-03
2652	4.10E-05	1.48E-03
2653	4.10E-05	1.47E-03
2654	4.09E-05	1.47E-03
2655	4.08E-05	1.47E-03
2656	4.07E-05	1.47E-03
2657	4.06E-05	1.46E-03
2658	4.06E-05	1.46E-03
2659	4.05E-05	1.46E-03
2660	4.04E-05	1.45E-03
2661	4.03E-05	1.45E-03

2662	4.02E-05	1.45E-03
2663	4.02E-05	1.45E-03
2664	4.01E-05	1.44E-03
2665	4.00E-05	1.44E-03
2666	3.99E-05	1.44E-03
2667	3.98E-05	1.43E-03
2668	3.98E-05	1.43E-03
2669	3.97E-05	1.43E-03
2670	3.96E-05	1.43E-03
2671	3.95E-05	1.42E-03
2672	3.95E-05	1.42E-03
2673	3.94E-05	1.42E-03
2674	3.93E-05	1.41E-03
2675	3.92E-05	1.41E-03
2676	3.91E-05	1.41E-03
2677	3.91E-05	1.41E-03
2678	3.90E-05	1.40E-03
2679	3.89E-05	1.40E-03
2680	3.88E-05	1.40E-03
2681	3.88E-05	1.40E-03
2682	3.87E-05	1.39E-03
2683	3.86E-05	1.39E-03
2684	3.85E-05	1.39E-03
2685	3.85E-05	1.38E-03
2686	3.84E-05	1.38E-03
2687	3.83E-05	1.38E-03
2688	3.82E-05	1.38E-03
2689	3.82E-05	1.37E-03
2690	3.81E-05	1.37E-03
2691	3.80E-05	1.37E-03
2692	3.79E-05	1.37E-03
2693	3.79E-05	1.36E-03
2694	3.78E-05	1.36E-03
2695	3.77E-05	1.36E-03
2696	3.76E-05	1.35E-03
2697	3.76E-05	1.35E-03
2698	3.75E-05	1.35E-03
2699	3.74E-05	1.35E-03
2700	3.73E-05	1.34E-03
2701	3.73E-05	1.34E-03
2702	3.72E-05	1.34E-03
2703	3.71E-05	1.34E-03
2704	3.71E-05	1.33E-03
2705	3.70E-05	1.33E-03
2706	3.69E-05	1.33E-03
2707	3.68E-05	1.33E-03
2708	3.68E-05	1.32E-03
2709	3.67E-05	1.32E-03
2710	3.66E-05	1.32E-03
2711	3.66E-05	1.32E-03
2712	3.65E-05	1.31E-03
2713	3.64E-05	1.31E-03
2714	3.63E-05	1.31E-03
2715	3.63E-05	1.31E-03
2716	3.62E-05	1.30E-03
2717	3.61E-05	1.30E-03
2718	3.61E-05	1.30E-03
2719	3.60E-05	1.30E-03
2720	3.59E-05	1.29E-03
2721	3.58E-05	1.29E-03
2722	3.58E-05	1.29E-03
2723	3.57E-05	1.29E-03
2724	3.56E-05	1.28E-03
2725	3.56E-05	1.28E-03
2726	3.55E-05	1.28E-03
2727	3.54E-05	1.28E-03
2728	3.54E-05	1.27E-03
2729	3.53E-05	1.27E-03
2730	3.52E-05	1.27E-03
2731	3.52E-05	1.27E-03
2732	3.51E-05	1.26E-03
2733	3.50E-05	1.26E-03
2734	3.50E-05	1.26E-03
2735	3.49E-05	1.26E-03
2736	3.48E-05	1.25E-03
2737	3.48E-05	1.25E-03
2738	3.47E-05	1.25E-03
2739	3.46E-05	1.25E-03
2740	3.46E-05	1.24E-03
2741	3.45E-05	1.24E-03

2742	3.44E-05	1.24E-03
2743	3.44E-05	1.24E-03
2744	3.43E-05	1.23E-03
2745	3.42E-05	1.23E-03
2746	3.42E-05	1.23E-03
2747	3.41E-05	1.23E-03
2748	3.40E-05	1.23E-03
2749	3.40E-05	1.22E-03
2750	3.39E-05	1.22E-03
2751	3.38E-05	1.22E-03
2752	3.38E-05	1.22E-03
2753	3.37E-05	1.21E-03
2754	3.36E-05	1.21E-03
2755	3.36E-05	1.21E-03
2756	3.35E-05	1.21E-03
2757	3.34E-05	1.20E-03
2758	3.34E-05	1.20E-03
2759	3.33E-05	1.20E-03
2760	3.33E-05	1.20E-03
2761	3.32E-05	1.19E-03
2762	3.31E-05	1.19E-03
2763	3.31E-05	1.19E-03
2764	3.30E-05	1.19E-03
2765	3.29E-05	1.19E-03
2766	3.29E-05	1.18E-03
2767	3.28E-05	1.18E-03
2768	3.27E-05	1.18E-03
2769	3.27E-05	1.18E-03
2770	3.26E-05	1.17E-03
2771	3.26E-05	1.17E-03
2772	3.25E-05	1.17E-03
2773	3.24E-05	1.17E-03
2774	3.24E-05	1.17E-03
2775	3.23E-05	1.16E-03
2776	3.23E-05	1.16E-03
2777	3.22E-05	1.16E-03
2778	3.21E-05	1.16E-03
2779	3.21E-05	1.15E-03
2780	3.20E-05	1.15E-03
2781	3.19E-05	1.15E-03
2782	3.19E-05	1.15E-03
2783	3.18E-05	1.15E-03
2784	3.18E-05	1.14E-03
2785	3.17E-05	1.14E-03
2786	3.16E-05	1.14E-03
2787	3.16E-05	1.14E-03
2788	3.15E-05	1.13E-03
2789	3.15E-05	1.13E-03
2790	3.14E-05	1.13E-03
2791	3.13E-05	1.13E-03
2792	3.13E-05	1.13E-03
2793	3.12E-05	1.12E-03
2794	3.12E-05	1.12E-03
2795	3.11E-05	1.12E-03
2796	3.10E-05	1.12E-03
2797	3.10E-05	1.12E-03
2798	3.09E-05	1.11E-03
2799	3.09E-05	1.11E-03
2800	3.08E-05	1.11E-03
2801	3.08E-05	1.11E-03
2802	3.07E-05	1.11E-03
2803	3.06E-05	1.10E-03
2804	3.06E-05	1.10E-03
2805	3.05E-05	1.10E-03
2806	3.05E-05	1.10E-03
2807	3.04E-05	1.09E-03
2808	3.04E-05	1.09E-03
2809	3.03E-05	1.09E-03
2810	3.02E-05	1.09E-03
2811	3.02E-05	1.09E-03
2812	3.01E-05	1.08E-03
2813	3.01E-05	1.08E-03
2814	3.00E-05	1.08E-03
2815	3.00E-05	1.08E-03
2816	2.99E-05	1.08E-03
2817	2.98E-05	1.07E-03
2818	2.98E-05	1.07E-03
2819	2.97E-05	1.07E-03
2820	2.97E-05	1.07E-03
2821	2.96E-05	1.07E-03

2822	2.96E-05	1.06E-03
2823	2.95E-05	1.06E-03
2824	2.94E-05	1.06E-03
2825	2.94E-05	1.06E-03
2826	2.93E-05	1.06E-03
2827	2.93E-05	1.05E-03
2828	2.92E-05	1.05E-03
2829	2.92E-05	1.05E-03
2830	2.91E-05	1.05E-03
2831	2.91E-05	1.05E-03
2832	2.90E-05	1.04E-03
2833	2.90E-05	1.04E-03
2834	2.89E-05	1.04E-03
2835	2.88E-05	1.04E-03
2836	2.88E-05	1.04E-03
2837	2.87E-05	1.03E-03
2838	2.87E-05	1.03E-03
2839	2.86E-05	1.03E-03
2840	2.86E-05	1.03E-03
2841	2.85E-05	1.03E-03
2842	2.85E-05	1.03E-03
2843	2.84E-05	1.02E-03
2844	2.84E-05	1.02E-03
2845	2.83E-05	1.02E-03
2846	2.83E-05	1.02E-03
2847	2.82E-05	1.02E-03
2848	2.82E-05	1.01E-03
2849	2.81E-05	1.01E-03
2850	2.81E-05	1.01E-03
2851	2.80E-05	1.01E-03
2852	2.79E-05	1.01E-03
2853	2.79E-05	1.00E-03
2854	2.78E-05	1.00E-03
2855	2.78E-05	1.00E-03
2856	2.77E-05	9.99E-04
2857	2.77E-05	9.97E-04
2858	2.76E-05	9.95E-04
2859	2.76E-05	9.93E-04
2860	2.75E-05	9.91E-04
2861	2.75E-05	9.89E-04
2862	2.74E-05	9.88E-04
2863	2.74E-05	9.86E-04
2864	2.73E-05	9.84E-04
2865	2.73E-05	9.82E-04
2866	2.72E-05	9.80E-04
2867	2.72E-05	9.78E-04
2868	2.71E-05	9.77E-04
2869	2.71E-05	9.75E-04
2870	2.70E-05	9.73E-04
2871	2.70E-05	9.71E-04
2872	2.69E-05	9.69E-04
2873	2.69E-05	9.68E-04
2874	2.68E-05	9.66E-04
2875	2.68E-05	9.64E-04
2876	2.67E-05	9.62E-04
2877	2.67E-05	9.60E-04
2878	2.66E-05	9.59E-04
2879	2.66E-05	9.57E-04
2880	2.65E-05	9.55E-04
2881	2.65E-05	9.53E-04
2882	2.64E-05	9.52E-04
2883	2.64E-05	9.50E-04
2884	2.63E-05	9.48E-04
2885	2.63E-05	9.46E-04
2886	2.62E-05	9.45E-04
2887	2.62E-05	9.43E-04
2888	2.61E-05	9.41E-04
2889	2.61E-05	9.39E-04
2890	2.60E-05	9.38E-04
2891	2.60E-05	9.36E-04
2892	2.60E-05	9.34E-04
2893	2.59E-05	9.32E-04
2894	2.59E-05	9.31E-04
2895	2.58E-05	9.29E-04
2896	2.58E-05	9.27E-04
2897	2.57E-05	9.26E-04
2898	2.57E-05	9.24E-04
2899	2.56E-05	9.22E-04
2900	2.56E-05	9.21E-04
2901	2.55E-05	9.19E-04

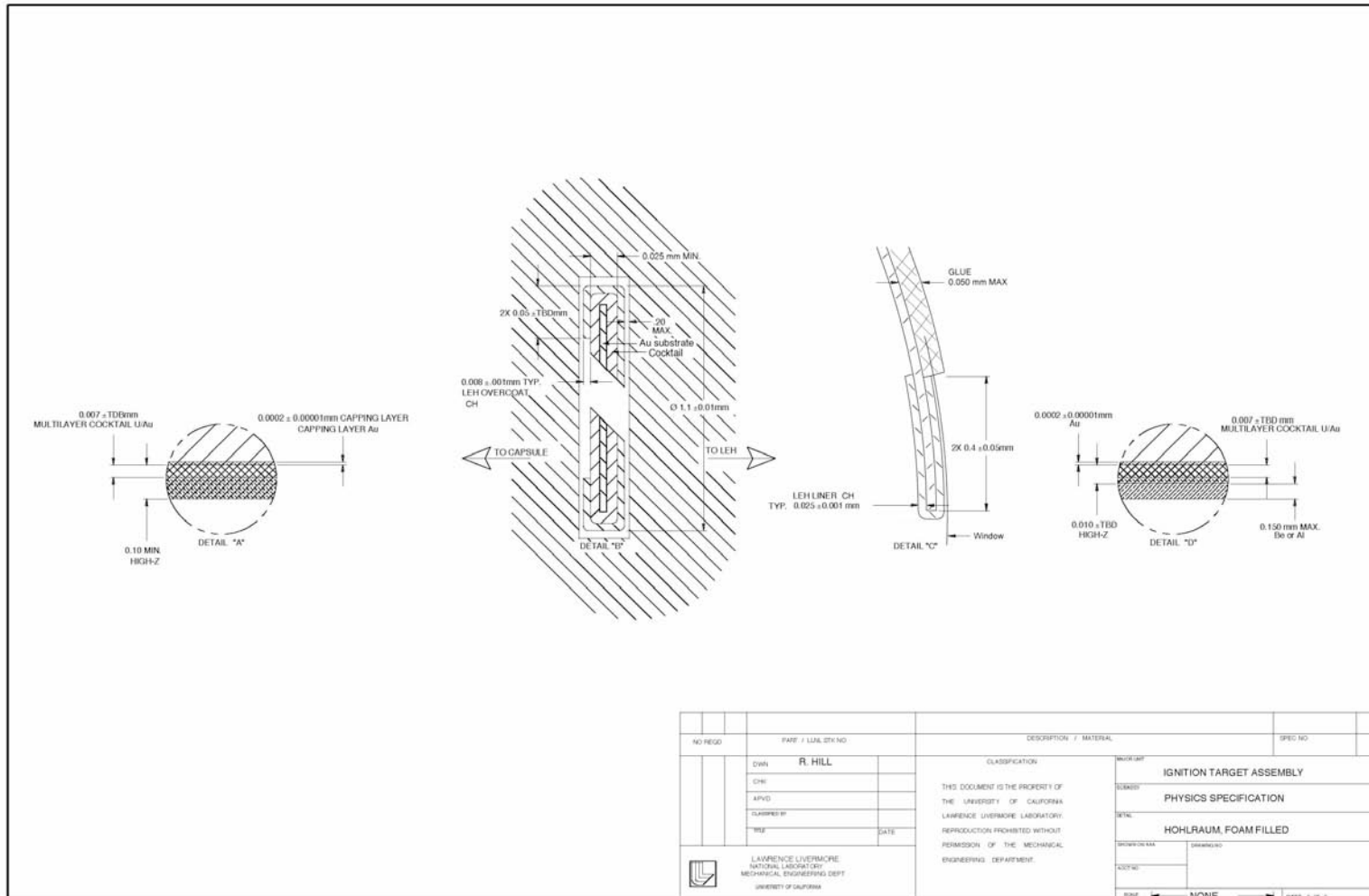
2902	2.55E-05	9.17E-04
2903	2.54E-05	9.16E-04
2904	2.54E-05	9.14E-04
2905	2.53E-05	9.12E-04
2906	2.53E-05	9.10E-04
2907	2.52E-05	9.09E-04
2908	2.52E-05	9.07E-04
2909	2.52E-05	9.05E-04
2910	2.51E-05	9.04E-04
2911	2.51E-05	9.02E-04
2912	2.50E-05	9.01E-04
2913	2.50E-05	8.99E-04
2914	2.49E-05	8.97E-04
2915	2.49E-05	8.96E-04
2916	2.48E-05	8.94E-04
2917	2.48E-05	8.92E-04
2918	2.47E-05	8.91E-04
2919	2.47E-05	8.89E-04
2920	2.47E-05	8.87E-04
2921	2.46E-05	8.86E-04
2922	2.46E-05	8.84E-04
2923	2.45E-05	8.83E-04
2924	2.45E-05	8.81E-04
2925	2.44E-05	8.79E-04
2926	2.44E-05	8.78E-04
2927	2.43E-05	8.76E-04
2928	2.43E-05	8.75E-04
2929	2.43E-05	8.73E-04
2930	2.42E-05	8.71E-04
2931	2.42E-05	8.70E-04
2932	2.41E-05	8.68E-04
2933	2.41E-05	8.67E-04
2934	2.40E-05	8.65E-04
2935	2.40E-05	8.64E-04
2936	2.39E-05	8.62E-04
2937	2.39E-05	8.60E-04
2938	2.39E-05	8.59E-04
2939	2.38E-05	8.57E-04
2940	2.38E-05	8.56E-04
2941	2.37E-05	8.54E-04
2942	2.37E-05	8.53E-04
2943	2.36E-05	8.51E-04
2944	2.36E-05	8.50E-04
2945	2.36E-05	8.48E-04
2946	2.35E-05	8.46E-04
2947	2.35E-05	8.45E-04
2948	2.34E-05	8.43E-04
2949	2.34E-05	8.42E-04
2950	2.33E-05	8.40E-04
2951	2.33E-05	8.39E-04
2952	2.33E-05	8.37E-04
2953	2.32E-05	8.36E-04
2954	2.32E-05	8.34E-04
2955	2.31E-05	8.33E-04
2956	2.31E-05	8.31E-04
2957	2.31E-05	8.30E-04
2958	2.30E-05	8.28E-04
2959	2.30E-05	8.27E-04
2960	2.29E-05	8.25E-04
2961	2.29E-05	8.24E-04
2962	2.28E-05	8.22E-04
2963	2.28E-05	8.21E-04
2964	2.28E-05	8.19E-04
2965	2.27E-05	8.18E-04
2966	2.27E-05	8.16E-04
2967	2.26E-05	8.15E-04
2968	2.26E-05	8.14E-04
2969	2.26E-05	8.12E-04
2970	2.25E-05	8.11E-04
2971	2.25E-05	8.09E-04
2972	2.24E-05	8.08E-04
2973	2.24E-05	8.06E-04
2974	2.24E-05	8.05E-04
2975	2.23E-05	8.03E-04
2976	2.23E-05	8.02E-04
2977	2.22E-05	8.00E-04
2978	2.22E-05	7.99E-04
2979	2.22E-05	7.98E-04
2980	2.21E-05	7.96E-04
2981	2.21E-05	7.95E-04

2982	2.20E-05	7.93E-04
2983	2.20E-05	7.92E-04
2984	2.20E-05	7.90E-04
2985	2.19E-05	7.89E-04
2986	2.19E-05	7.88E-04
2987	2.18E-05	7.86E-04
2988	2.18E-05	7.85E-04
2989	2.18E-05	7.83E-04
2990	2.17E-05	7.82E-04
2991	2.17E-05	7.81E-04
2992	2.16E-05	7.79E-04
2993	2.16E-05	7.78E-04
2994	2.16E-05	7.76E-04
2995	2.15E-05	7.75E-04
2996	2.15E-05	7.74E-04
2997	2.15E-05	7.72E-04
2998	2.14E-05	7.71E-04
2999	2.14E-05	7.70E-04
3000	2.13E-05	7.68E-04

Alternate Hohraum Requirements - Foam Filled Hohraum

Number	Rev	WBS	Component	Title	short req't	Requirement Text
FH1	0	I.4.1.2	Foam-filled Hohraum	Applicability of other requirements		All requirements in table "Point Design Req'ts" except those designated for component "Gas-filled hohraum" shall apply to the foam-filled hohraum
FH2	0	I.4.1.2	Foam-filled Hohraum	Hohraum configuration - dimensions and tolerances	see dwg	The hohraum configuration shall be as shown in Figures TBD(a) and (b) - Foam filled hohraum point design. For parameters which may be requested over a specified range of values, the tolerances shown will apply at the requested dimension
FH3	0	I.4.1.2.2	Foam-filled Hohraum	Hohraum foam fill - composition	SiO2	The hohraum foam-fill material shall be SiO2. H2O shall be allowed in the foam-fill material, provided it still meets the density requirement. The foam composition for each hohraum shall be known with an accuracy of <100at%/Z^2
FH4	0	I.4.1.2.2	Foam-filled Hohraum	Hohraum foam fill - average density	1 mg/cc ±15%	The ensemble average density of the foam-fill materials for all targets shall be in the range 1 mg/cc ±15%.
FH5	0	I.4.1.2.2	Foam-filled Hohraum	Hohraum foam fill - shot-shot variations	< ±10 %	The density of the foam-fill materials for each shall be within +/- 10% of the ensemble average.
FH6	0	I.4.1.2.2	Foam-filled Hohraum	Hohraum foam fill - density variations	<10% RMS over any 200µm-side cube	The foam-fill density in any 200µm-side cube within a specific target shall be within 10% RMS of the average for that target
FH7	0	I.4.1.2.2	Foam-filled Hohraum	Hohraum foam fill - cell size	<10 µm	The foam fill cell size shall be <10 µm
FH8	0	I.4.1.2.2	Foam-filled Hohraum	Hohraum foam fill - gaps to hohraum wall	<200 µm	Gaps between the foam fill and the hohraum wall shall be <200 µm wide
FH9	0	I.4.1.2.2	Foam-filled Hohraum	Hohraum gas fill – composition	He	The hohraum shall be filled with He
FH10	0	I.4.1.2.2	Foam-filled Hohraum	Hohraum gas fill – density	1.e-5 ±0.1e-5 g/cm3	The density of the gas filling the hohraum shall be 1.e-5 ±0.3e-5 g/cm3
FH11	0	I.4.1.2.2	Foam-filled Hohraum	LEH liner - composition	CH full density	The lining on the LEH shall be composed of CH, density 1.08 +/- 5%, composition characterized to +/-10% on all known materials (C, H, <10% O) and <100%/Z^2 for all impurities.

Foam filled hohlraum design (b)

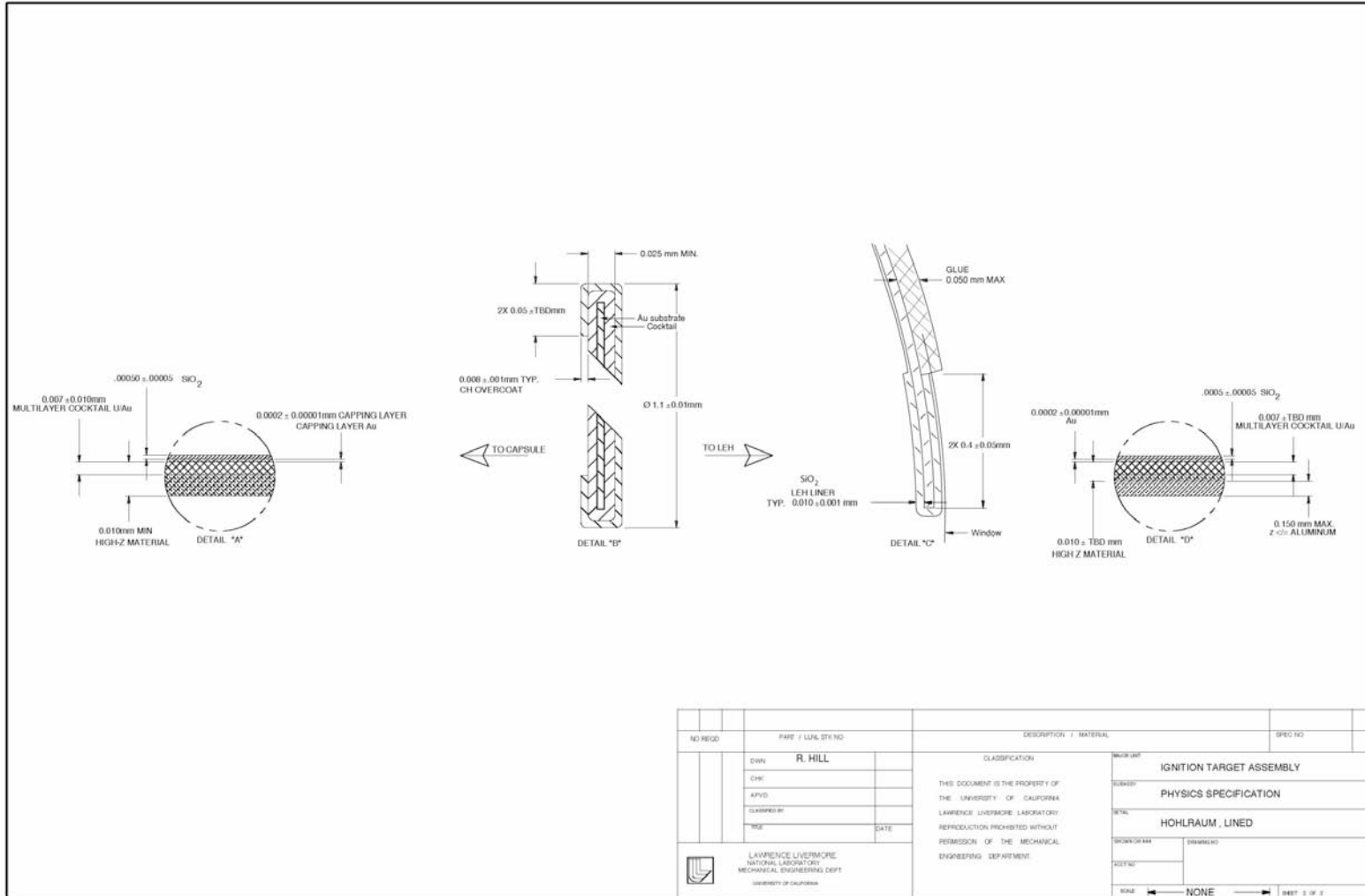


NO REGD	PART / LVL. STR. NO.	DESCRIPTION / MATERIAL	SPEC. NO.
DRN	R. HILL	CLASSIFICATION	IGNITION TARGET ASSEMBLY
CHKD		THIS DOCUMENT IS THE PROPERTY OF THE UNIVERSITY OF CALIFORNIA	PHYSICS SPECIFICATION
APVD		LAWRENCE LIVERMORE LABORATORY	HOHLRAUM, FOAM FILLED
CLASSIFIED BY		REPRODUCTION PROHIBITED WITHOUT PERMISSION OF THE MECHANICAL ENGINEERING DEPARTMENT.	
TITLE	DATE		
LAWRENCE LIVERMORE NATIONAL LABORATORY MECHANICAL ENGINEERING DEPT UNIVERSITY OF CALIFORNIA			
			FORM NONE SHEET 2 OF 2

Alternate Hohraum Requirements - Lined Hohraum

Number	Rev	WBS	Component	Title	short req't	Requirement Text
LH1	0	1.4.1.2	Lined Hohraum	Applicability of other requirements		All requirements in table "Point Design Req'ts" except those designated for component "Gas-filled hohraum" shall apply to the lined hohraum
LH2	0	1.4.1.2	Lined Hohraum	Hohraum configuration - dimensions and tolerances	see dwg	The hohraum configuration shall be as shown in Figures TBD(a) and (b) - Lined hohraum point design. For parameters which may be requested over a specified range of values, the tolerances shown will apply at the requested dimension
LH3	0	1.4.1.2.2	Lined Hohraum	Hohraum liner composition	SiO2	The hohraum liner material shall be SiO2. The impurities in the liner shall be less than 100%/Z ² .
LH4	0	1.4.1.2.2	Lined Hohraum	Hohraum liner thickness	0.5 ± 0.05 µm	The thickness of the hohraum liner shall be 0.5 ± 0.05 µm
LH5	0	1.4.1.2.2	Lined Hohraum	Hohraum liner density	2.2 g/cc ±10%	The density of the hohraum liner shall be 2.2 g/cc ±10%.
LH6	0	1.4.1.2.2	Lined Hohraum	Hohraum liner density variations between targets	<±5%	The variation in liner density between all targets in a given campaign shall be less than +/- 5%
LH7	0	1.4.1.2.2	Lined Hohraum	Hohraum liner density uniformity within a target	<10% RMS over any 200µm-side area	The liner density in any 200µm-side area within a specific target shall be within 10% RMS of the average for that target
LH8	0	1.4.1.2.2	Lined Hohraum	Hohraum gas fill – composition	He	The hohraum shall be filled with a mixture of He and H, with a H density specified in the range from 0 to 0.65mg/cc. The point design value of H density shall be zero.
LH9	0	1.4.1.2.2	Lined Hohraum	Hohraum gas fill – density	1.e-5 ±0.2e-5 g/cm3	The density of the gas filling the hohraum shall be 1.e-5 ±0.2e-5 g/cm3
LH10	0	1.4.1.2.2	Lined Hohraum	LEH liner - composition	same as hohraum liner	The LEH liner shall be composed of the same material as the hohraum liner. The specifications on composition, density, density variations, and density uniformity shall apply.

Lined hohlraum design (b)



NO	REV	DATE	DESCRIPTION / MATERIAL	SPEC NO
			CLASSIFICATION	
NO RECD	PART / UNIT SKETCH			
DRN	R. HILL			
CHK				
APPD				
CLASSIFIED BY				
REV	DATE			
LAWRENCE LIVERMORE NATIONAL LABORATORY MECHANICAL ENGINEERING DEPT UNIVERSITY OF CALIFORNIA			THIS DOCUMENT IS THE PROPERTY OF THE UNIVERSITY OF CALIFORNIA LAWRENCE LIVERMORE LABORATORY REPRODUCTION PROHIBITED WITHOUT PERMISSION OF THE MECHANICAL ENGINEERING DEPARTMENT	SUBJECT IGNITION TARGET ASSEMBLY PHYSICS SPECIFICATION TITLE HOHLRAUM, LINED DRAWN OR BAK DESIGNED SCALE NONE
				SHEET 2 OF 2