

Status of Initial Assessment of Physical and Mechanical Properties of Graphite Grades for NGNP Applications

J.P. Strizak and T. D. Burchell
Oak Ridge National Laboratory

And

W. E. Windes
Idaho National Laboratory



September 5, 2006

This report was prepared as an account of work sponsored by an agency of the United States Government. Neither the United States government nor any agency thereof, nor any of their employees, makes any warranty, express or implied, or assumes any legal liability or responsibility for the accuracy, completeness, or usefulness of any information, apparatus, product, or process disclosed, or represents that its use would not infringe privately owned rights. Reference herein to any specific commercial product, process, or service by trade name, trademark, manufacturer, or otherwise, does not necessarily constitute or imply its endorsement, recommendation, or favoring by the United States Government or any agency thereof. The views and opinions of authors expressed herein do not necessarily state or reflect those of the United States Government or any agency thereof.

Status of Initial Assessment of Physical and Mechanical Properties of Graphite Grades for NGNP Applications

J. P. Strizak and T. D. Burchell
Oak Ridge National Laboratory

And

W. E. Windes
Idaho National Laboratory

September 5, 2006

Prepared for
Office of Nuclear Energy Science and Technology

Prepared by
OAK RIDGE NATIONAL LABORATORY
Oak Ridge, Tennessee 37831
managed by
UT-BATTELLE, LLC
for the
U.S. DEPARTMENT OF ENERGY
Under DOE Contract No. DE-AC05-00OR22725

This page intentionally left blank

TABLE OF CONTENTS

	<u>Page</u>
List of Figures.....	iv
List of Tables.....	iv
Table of Appendices.....	v
Acronyms.....	vi
Executive Summary.....	vii
1. Introduction.....	1
2. Graphite Procurement and Distribution.....	1
3. Test Specimens.....	2
3.1 Tensile test specimens.....	3
3.2 Compression test specimens.....	3
3.3 Flexure test specimens.....	4
3.4 Coefficient of thermal expansion (CTE) specimens.....	4
3.5 Thermal conductivity specimens.....	4
4. Billet cutting – methodology and assumptions.....	5
4.1 Billet symmetry and reproducibility.....	5
4.2 Grain orientation.....	8
4.3 General cutting plan (billets, slabs, sub-slabs, specimens).....	8
4.4 Specimen identification.....	9
4.5 Cutting plans.....	10
5. Summary.....	13
Appendix 1.....	14
Appendix 2.....	15
Appendix 3.....	18
Appendix 4.....	23
Appendix 5.....	30
Appendix 6.....	39
Appendix 7.....	46
Appendix 8.....	54

List of Figures

	<u>Page</u>
Figure 3.1. Illustration of the specimens to be used for billet characterization.....	3
Figure 4.1. Example of symmetrical quadrant sections within a graphite billet.....	6
Figure 4.2. Illustration of the radial symmetry of the PCEA graphite billet.....	7
Figure 4.3. Schematic of general cutting plan.....	9
Figure 4.4. Specimen layout for IG-43.....	10
Figure 4.5. Specimen layout for NBG-17.....	11
Figure 4.6. Specimen layout for NBG-18.....	12
Figure. 4.7. Specimen layout for PCEA.....	13

List of Tables

	<u>Page</u>
Table 4.1. Specimen identification legend.....	9

Table of Appendices

	<u>Page</u>
Appendix 1. Graphite Procurement.....	14
Appendix 2. Shiva Chemical Analysis.....	16
Appendix 3. Billet Sizes and Distribution.....	19
Appendix 4. Specimen Detail Drawings.....	23
Appendix 5. NBG-17 Billet Cutting Plans.....	30
Appendix 6. NBG-18 Billet Cutting Plans	38
Appendix 7. PCEA Billet Cutting Plans.....	46
Appendix 8. IG-43 Billet Cutting Plans.....	57

Acronyms

AG	against-grain
ASTM	American Society for Testing and Materials
Ca	Calcium
Co	Cobalt
Cs	Cesium
Fe	Iron (Ferrum)
FY 07	Fiscal Year 2007
GTHTR	Gas Turbine High Temperature Reactor
HTGR	high temperature gas-cooled reactor
INL	Idaho National Laboratory
Li	Lithium
NBG	Nuclear Block Graphite
NGNP	Next Generation Nuclear Plant
ORNL	Oak Ridge National Laboratory
Sc	Scandium
Ta	Tantalum
Ti	Titanium
V	Vanadium
WG	with-grain

Executive Summary

Current candidate graphite grades for the core structures of NGNP include grades NBG-17, NBG-18, PCEA and IG-430. Both NBG-17 and NBG-18 are manufactured using pitch coke, and are vibrationally molded. These medium grain products are produced by SGL Carbon SAS (France). Tayo Tanso (Japan) produces IG-430 which is a petroleum coke, isostatically molded, nuclear grade graphite. And PCEA is a medium grain, extruded graphite produced by UCAR Carbon Co. (USA) from petroleum coke.

An experimental program has been initiated to develop physical and mechanical properties data for these current candidate graphites. The results will be judged against the requirements for nuclear grade graphites set forth in ASTM standard D 7219-05 “Standard Specification for Isotropic and Near-isotropic Nuclear Graphites”.

Physical properties data including thermal conductivity and coefficient of thermal expansion, and mechanical properties data including tensile, compressive and flexural strengths will be obtained using the established test methods covered in D-7219 and ASTM C 781-02 “Standard Practice for Testing Graphite and Boronated Graphite Components for High-Temperature Gas-Cooled Nuclear Reactors”. Various factors known to effect the properties of graphites will be investigated. These include specimen size, spatial location within a graphite billet, specimen orientation (ag and wg) within a billet, and billet-to-billet variations.

The current status of the materials characterization program is reported herein. To date billets of the four graphite grades have been procured, and detailed cut up plans for obtaining the various specimens have been prepared. Particular attention has been given to the traceability of each specimen to its spatial location and orientation within a billet.

1. Introduction

Current candidate graphite grades for the core structures of NGNP include grades NBG-17, NBG-18, PCEA and IG-430. Both NBG-17 and NBG-18 are manufactured using pitch coke, and are vibrationally molded. These medium grain products (.8 mm for NBG-17 and 1.5 mm for NBG-18) are produced by SGL Carbon SAS (France). Tayo Tanso (Japan) produces IG-430 which is a petroleum coke, isostatically molded, fine grain (0.01 mm) nuclear grade graphite. And PCEA is a medium grain (0.8 mm), extruded graphite produced by UCAR Carbon Co. (USA) from petroleum coke.

An experimental program has been initiated to develop physical and mechanical properties data for the current candidate graphites. The results will be judged against the requirements for nuclear grade graphites set forth in ASTM standard D 7219-05 “Standard Specification for Isotropic and Near-isotropic Nuclear Graphites”.

Physical properties data including thermal conductivity and coefficient of thermal expansion, and mechanical properties data including tensile, compressive and flexural strengths will be obtained using the established test methods covered in D-7219 and ASTM C 781-02 “Standard Practice for Testing Graphite and Boronated Graphite Components for High-Temperature Gas-Cooled Nuclear Reactors”. Various factors known to effect the properties of graphites will be investigated. These include specimen size, spatial location within a graphite billet, specimen orientation within a billet, and billet-to-billet variations.

The current status of the materials characterization program is presented herein.

2. Graphite procurement and distribution

The four graphite grades were purchased by ORNL and shared with INL for the subject joint materials characterization program. References to ORNL purchase orders are given in Appendix 1. Note that at the time of purchase the availability of the NBG graphites was limited to no more than one billet. Consequently, the single billets of NBG-17 and NBG-18 were shared by ORNL and INL. On the other hand, each laboratory received a billet of IG-43 and PCEA.

ASTM standard D 7219 [1] sets requirements for the chemical purity of nuclear grade graphites. Limits are imposed on specific elements including Ca, Co, Fe, CS, V, Ti, Li, Sc, and Ta. Grades NBG-17 and NBG-18 are produced as nuclear grade graphites so chemical impurity levels are strictly controlled during processing. On the other hand,

IG-43 must be purified to become IG-430, nuclear grade. And PCEA as well has to be purified to meet the D 7219 specifications. Independent chemical analysis of each graphite grade was performed by Shiva Technologies, Inc. in Syracuse, New York under ORNL purchase order 4000052349. Chemical analyses for nuclear grade NBG-17 and NBG-18, IG-430, and PCEA (purified) are given in Appendix 2. Note that samples were taken from the same billets of NBG-17 and NBG-18 that will be employed in the subject characterization program. Likewise the PCEA sample was taken from a purified section of the ORNL billet. The chemical analysis for IG-430 was performed with a sample from a billet recently purchased for irradiation experiments. Purification of graphite to reduce impurity levels acceptable for NGNP applications provides control over oxidation, and neutron absorption and activity. Chemical impurity is not a necessary consideration in this initial physical and mechanical properties characterization program.

A billet of NBG-17 is rather large, 520 x 470 x 1620 mm. A major portion of a NBG-17 billet (520 x 470 x 1250 mm) was available for purchase. At ORNL's request, SGL sawed the billet into three reasonably sized blocks prior to shipment. Blocks designated for irradiation experiments and the joint materials properties characterization program at ORNL and INL are identified in Appendix 3. Similarly, the distribution of a whole billet (520 x 560 x 1620 mm) of NBG-18 which was vendor cut into four blocks is also shown in Appendix 3. INL was provided a whole billet (450 mm diameter x 920 mm long) of PCEA (unpurified). On the other hand, the ORNL billet was sectioned by the vendor and two (2) of the sections were purified for use in irradiation experiments, while the remaining sections will be consumed for the characterization program (See Appendix 3). Finally, both ORNL and INL have whole billets (300 x 540 x 850 mm) of IG-43 (unpurified) which will be consumed entirely for mechanical property characterization.

3. Test specimens

An illustration of the various specimen types and sizes which will be used for mechanical properties characterization of the NGNP candidate graphites is shown in Fig. 3.1. The specimens for tensile, compressive, and flexure testing conform to the requirements of appropriate ASTM standards (test methods). There are four tensile specimen sizes, one cylindrical compressive specimen, and one rectangular flexure test bar. Detail drawings for each specimen have been prepared and are given in Appendix 4. Note that specimen dimensions are given in inches. The specific ASTM standards which will be employed use this convention, and area machinists are more at ease with this convention as well. Test-specific requirements are discussed below.

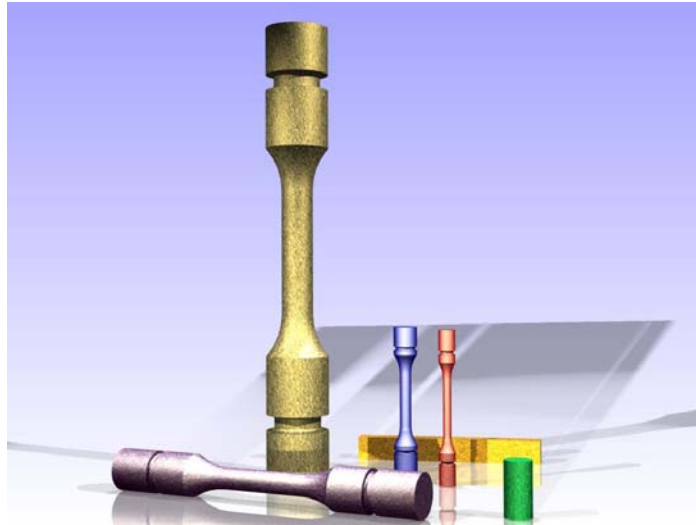


Fig. 3.1 Illustration of the specimens to be used for billet characterization

3.1 Tensile test specimens

ASTM test standard C 749 –02 “Standard Test Method for Tensile Stress-Strain of Carbon and Graphite” will be used for room temperature tensile strength testing. The standard provides four specimen sizes with gage diameters of 0.250”, 0.375”, 0.625”, and 1.000” (6.35, 9.53, 15.88, and 25.4 mm, respectively) (See Attachment 4). The grain sizes for NBG-17, NBG-18 and PCEA (0.8, 1.5 and 0.8 mm, respectively) are relatively large compared with the diameter of the smallest tensile specimen (6.35 mm). Further, within billet and billet-to-billet spatial and orientation variations for the vibrationally molded and extruded materials may be significant. So, in order to reveal the degree of anisotropy within these graphites, only the three larger specimens will be used. On the other hand, isostatically molded, fine grain graphites like IG-43 (0.01 mm grain size) are typically very isotropic. So, all four specimen sizes will be used to better refine the effect of specimen size on tensile strength.

3.2 Compression test specimens

ASTM test standard C 695 – 91 (Reapproved 2005), “Standard Test Method for Compressive Strength of Carbon and Graphite” will be used for all compression specimen testing at room temperature. The standard requires that the diameter of the test

specimen be greater than ten times the maximum particle size of the graphite. Further, the ratio of specimen height to diameter should be 1.9 to 2.1, and the recommended minimum specimen diameter is 9.5 mm. A specimen 15 mm diameter x 30 mm high would be required for testing the larger grain NBG-18 graphite, and would exceed the minimum requirements for other graphites having smaller grain sizes. Conveniently, this one specimen size will be used for the characterization program.

3.3 Flexure test specimens

ASTM test standard C 651 – 91 (Reapproved 2005) “Standard Test Method for Flexural Strength of Manufactured Carbon and Graphite Articles Using Four-Point Loading at Room Temperature” will be used for all flexural specimen testing. The standard requires that the minimum dimension of the specimen be greater than 5 times the particle size of the graphite. Further, the width to thickness ratio should not be greater than 2, and the ratio of length to thickness should be at least 8. Again, based on NBG-18, the single specimen selected for the characterization program is a rectangular bar 16 x 20 x 160 mm. The ratio of the specimen thickness to the particle size of NBG-18 is slightly over 10 while the ratio of the width to thickness is 1.25, and the length to thickness ratio is 8.

3.4 Coefficient of thermal expansion (CTE) specimens

ASTM test standard E 228 – 95, “Standard Test Method for Linear Thermal Expansion of Solid Materials with a Vitreous Silica Dilatometer” will be used for determining the CTE of the graphites. Typically, CTE specimens are long thin rods. Cylindrical specimens with dimensions of 3-4 mm diameter x 30-40 mm long are being considered for the subject characterization program. Some adjustment to specimen dimensions may be required to ensure the reliability of measurements on the coarser NBG-18 graphite. The CTE specimens will be conveniently machined from the ends of the tensile specimens after they have been tested. Traceability to spatial location and orientation for each of the CTE specimens will be straight forward, and tensile, compressive and flexure specimen yields for spatial and orientation characterization can be maximized.

3.5 Thermal conductivity specimens

ASTM test standards C 781 – 02, “Standard Practice for Testing Graphite and Boronated Graphite Components for High-Temperature Gas-Cooled Nuclear Reactors” and E 1461 - 01 , “Standard Test Method for Thermal Diffusivity by the Flash Method” will be used for all thermal conductivity specimen testing. (E 1461 – 01 is a more detailed form of C 714, “Standard Test Method for Thermal Diffusivity by the Flash Method”, and has applicability to a much wider range of materials and temperatures.) Standard specimen sizes are thin circular discs 6 to 18 mm diameter x 2 to 3 mm thick. So these specimens can be machined from the ends of the previously tested tensile specimens similar to the CTE specimens above.

4. Billet cutting - methodology and assumptions

The primary objective was to maximize the number of test specimens that could be obtained from each billet. This would promote a more complete or finer resolution material property “mapping” for each of the billets. However, in order to provide statistically significant results from the various test methods a minimum of four samples are needed from each location/orientation within the same billet (per ASTM methodologies). Since this is physically impossible it was assumed that the billets had some level of symmetry in material properties throughout the entire structure which allows samples from different sections of the billet to effectively be “similar” with respect to material properties. Using samples from similar locations within each billet section would yield enough samples to provide for statistical validity.

To facilitate machining the billets will be cut into smaller sections designated as “slabs”. Each slab is sized to accommodate the proper grain orientation within the test samples. All test specimen blanks machined for a given slab will have the same grain orientation (ag or wg) as the slab. The slabs will be further sectioned into sub-slabs to allow the rectangular test specimen blanks to be machined to the correct size.

Slabs govern specimen grain orientation
Sub-slabs dictate specimen size and geometry

Finally, a tracking methodology has been devised to account for every specimen machined from a graphite billet. A unique identification number will be assigned to each test specimen providing the exact location and orientation of the sample within the graphite billet. This identification system is based upon the cutting methodology to provide an easy and concise method for identifying the different samples.

Details of the billet symmetry, cutting methodology, and sample identification are provided below.

4.1 Billet symmetry and reproducibility

To provide statistically significant results for the various mechanical property test methods a minimum of four samples would be needed from each location/orientation within the same billet. Since this is physically impossible it was assumed that the billets had some level of symmetry in material properties throughout the entire structure. In other words, it was assumed that the material properties on the “top” of a billet were the same as the material properties on the “bottom”. This was also assumed to apply from “front” and “back” of the billets. Test samples machined from symmetrical regions within the billet are considered to be similar and could be used to meet the four sample minimum required for statistical accuracy (see Fig. 4.1).

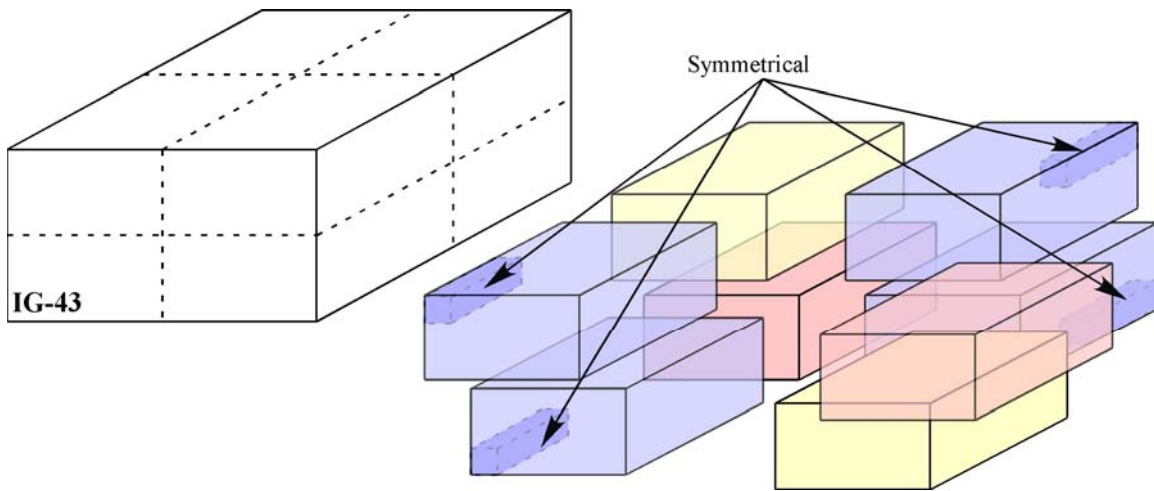


Fig. 4.1. Example of symmetrical quadrant sections within a graphite billet

Using these symmetry assumptions the billets were divided into quadrants where the material properties were assumed to be the same at similar locations. At least four test samples of a given geometry and size (e.g., 0.625" diameter tensile specimens) will be taken from the same locations in separate quadrants in order to provide a statistically accurate number of samples.

These symmetrical quadrants are easily seen in the rectangular block billets (i.e. the NBG & IG-43 billets) but pose a problem with the extruded PCEA cylinder. The PCEA is expected to possess radial symmetry as illustrated in Fig. 4.2. Since the billet is extruded as a right cylinder the material properties and grain structure are assumed to change in a uniform manner from the center out to the outer radius of the billet. In addition, it is assumed that the "front" and "back" of the cylinder are also symmetrical allowing specimen blanks to be cut from either end to be similar.

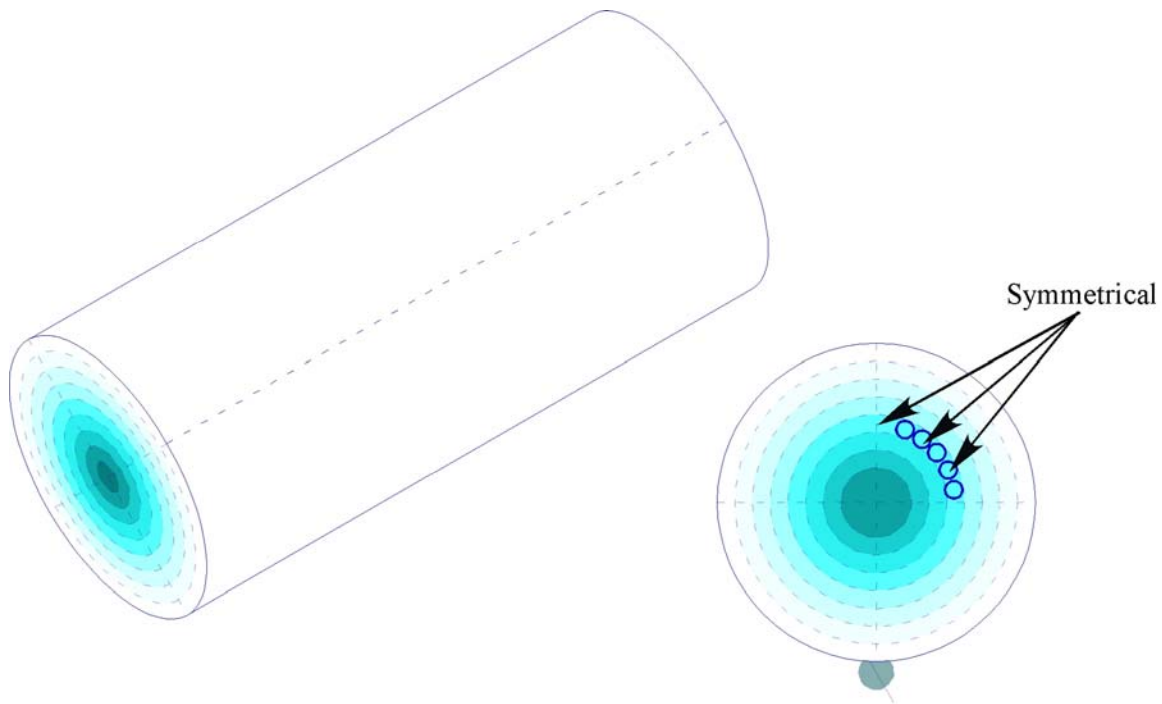


Fig. 4.2. Illustration of the radial symmetry of the PCEA graphite billet

It was difficult to accommodate all the tensile test specimen sizes within the billets cutting plans. Test specimen sizes were eliminated if the 10X grain size guideline exceeded the diameter of the tensile specimen. Thus, for those graphites with larger grain sizes (NBG-18, NBG-18 and PCEA) the small tensile test specimens (0.250" diameter) were eliminated. On the other hand, the small tensile specimen is appropriate for the fine grain IG-43 graphite, so the 1.000" diameter tensile specimens were eliminated in order to improve the resolution of the characterization.

All billets will have a distribution of the singular compression, and flexure test specimen sizes.

Finally, it was decided that specimens for the physical property tests (CTE and thermal diffusivity) could be machined from the ends of the tensile specimens after mechanical testing. This approach maximizes the specimen yield for mechanical property characterization.

4.2 Grain orientation

It is known that the grain structure within graphite billets can affect the mechanical and thermal properties of the test samples. To capture this difference test specimens oriented “with” grain and “against” grain will be machined from each billet. Therefore, the effects of both the spatial position and orientation on material properties are considered in the cutting plans. The known wg and ag directions for the NBG and PCEA billets are given in Attachment 2. Since the IG-43 graphite is expected to be very isotropic, and because the vendor (Toyo Tanso) does not distinguish between ag and wg directions, these will be arbitrarily assigned in the cutting plans.

The rectangular billets are considered to have a Cartesian coordinate orientation while the extruded PCEA billet presents a cylindrical orientation. Therefore, the test samples in the rectangular block billets will be cut from the blocks in 90° orientations (with respect to each other), whereas the cut up plans for the PCEA will be based on a radial orientation, with specimens being positioned at specified radii within the billet.

4.3 General cutting plan (billets, slabs, sub-slabs, specimens)

Billets are cut into successively smaller slabs of graphite until individual specimen blanks are machined from the smallest slab. In general, the billets are cut into slabs to maintain a specific grain orientation for all specimens in the slab. Each slab is cut into a number of sub-slabs providing material for a given size and orientation. The sub-slabs are relatively thin, rectangular plates. Rectangular test specimen blanks with square cross-sections are then cut from each sub-slab with the actual number blanks taken from the sub-slab dictated by the size and geometry of the final test specimen type. A unique identification number is attached to each specimen blank indicating the location and orientation within the specific billet. A test specimen will be machined from each specimen blank in conformance with the appropriate detail drawing (See Attachment 4). The identification number will be transcribed to the test specimen after final machining. The slabbing process is depicted graphically in Fig. 4.3.

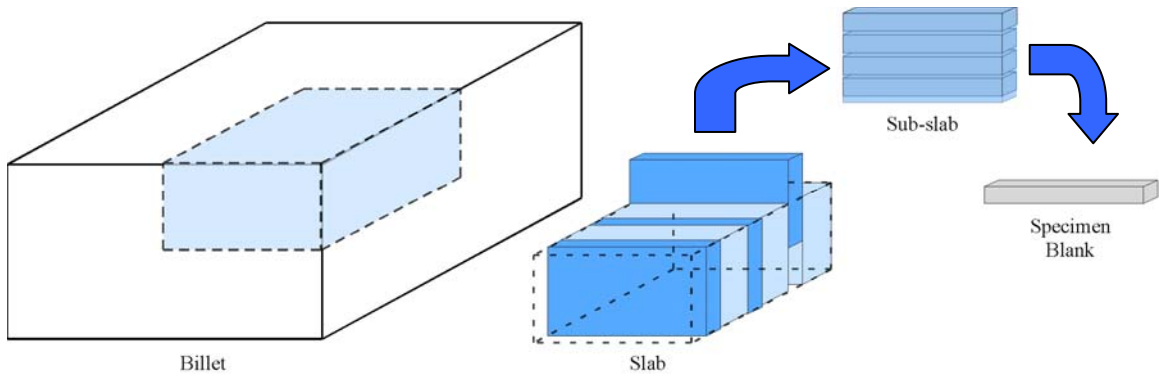


Fig. 4.3. Schematic of general cutting plan

4.4 Specimen identification

Identification of each test specimen is linked to the graphite grade, billet, slab and sub-slabs and the specimen blank from which it is machined from.. Thus, each specimen number has a specific graphite billet designator, a specific slab number as cut from the billet, a specific sub-slab number as cut from the slab, and a specimen number indicating where the specimen was cut from the sub-slab.

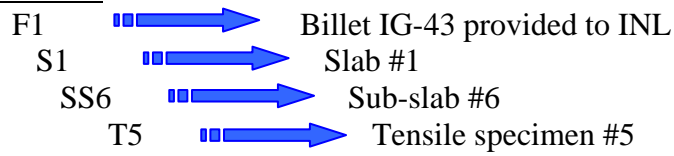
The four graphite billet types were given alphabetic designators of **A** (PCEA), **B** (NBG-17), **D** (NBG-18), and **F** (IG-43). Slabs and Sub-slabs were identified by numerical order within the billet or slab, respectively. The specimens were identified both by an alphabetical and a numeric designator. The alphabetic letter represents the type of test specimen to be produced while the number represents the numerical order of the test specimen in the sub-slab. These alphanumeric designators are summarized in Table 4.1 below.

Billet type		Slab	Sub-slab	Specimen type	
PCEA	A	1, 2, 3, 4,	1, 2, 3, 4,	Tensile	T
NBG-17	B			Compression	C
NBG-18	D			Flexure	F
IG-43	F			CTE	E
				Thermal Diffusivity	D

Table 4.1. Specimen identification legend

An example of the identification number system would be:

F1-S1-SS6-T5



4.5 Cutting plans

Illustrations of the layout of tensile, compression, and flexure specimens within the graphite billets resulting from the spatial location and orientation considerations discussed above are given in Figs. 4.4 -4.7. Detailed billet cutting plans for NBG-17, NBG-18, PCEA and IG-43 are given in Appendices 5 -8, respectively.

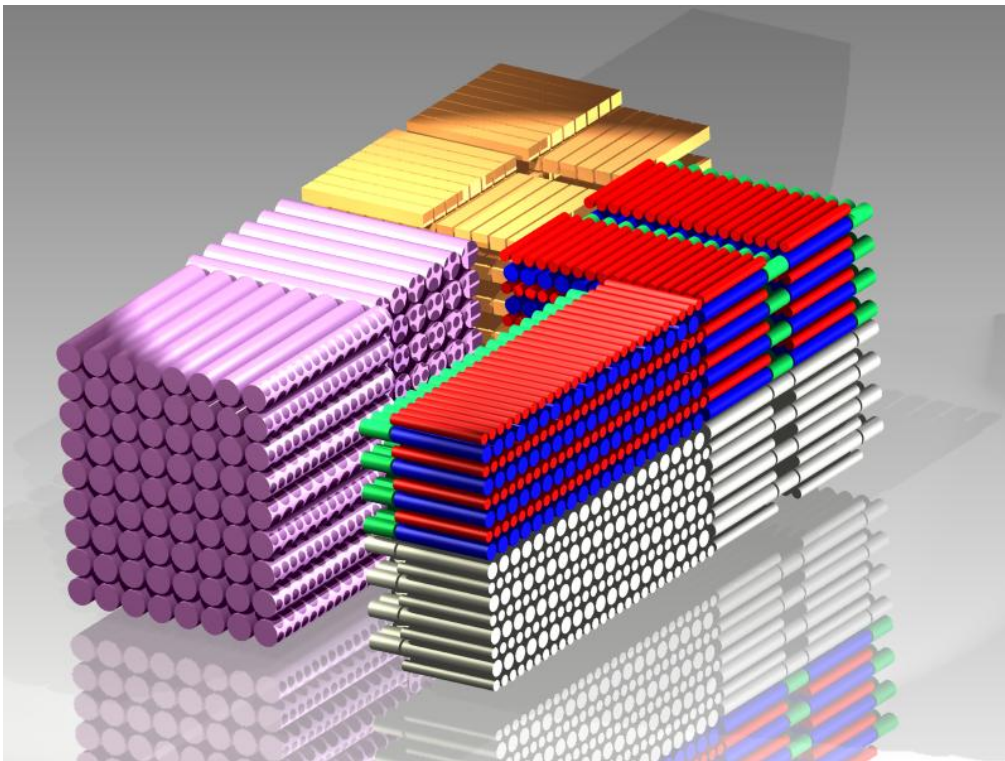


Fig. 4.4. Specimen layout for IG-43

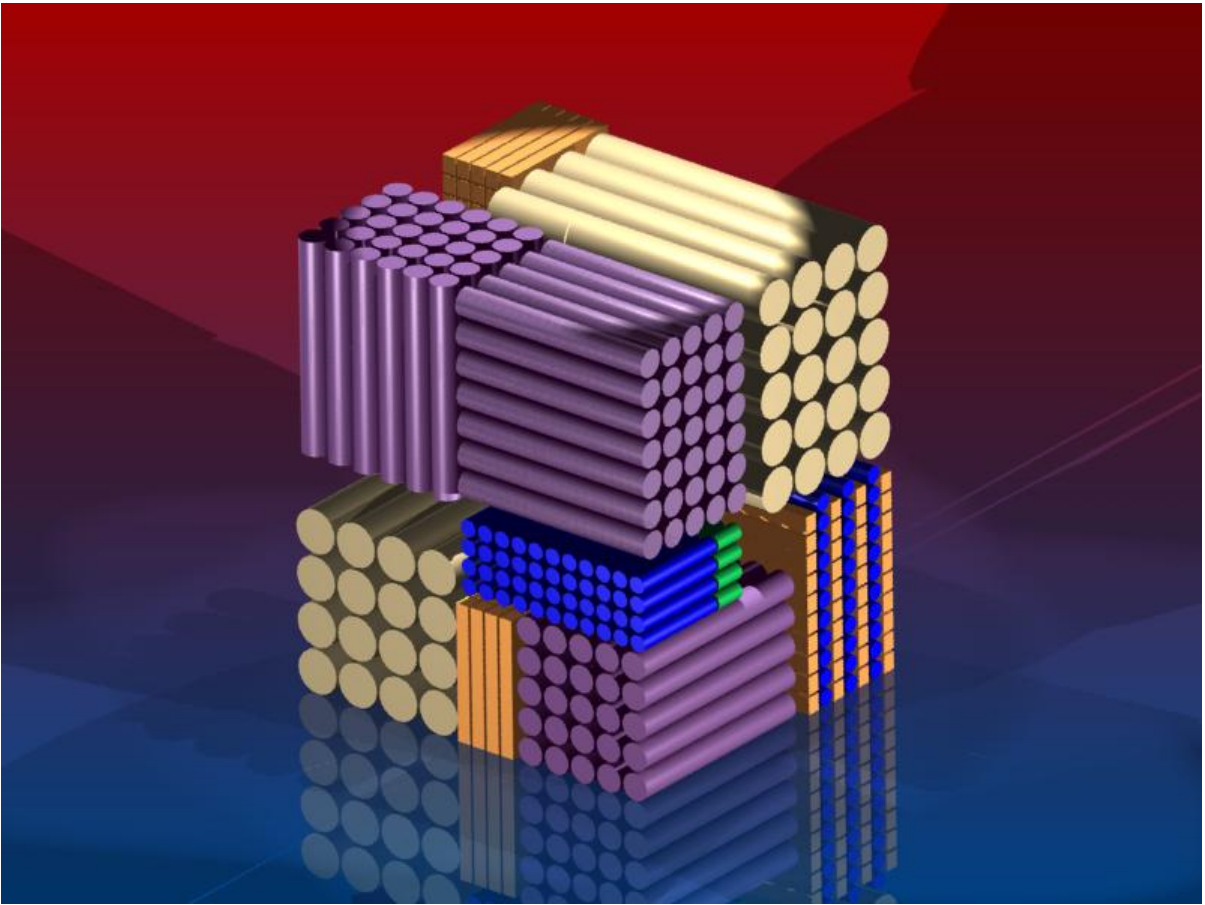


Fig. 4.5. Specimen layout for NBG-17

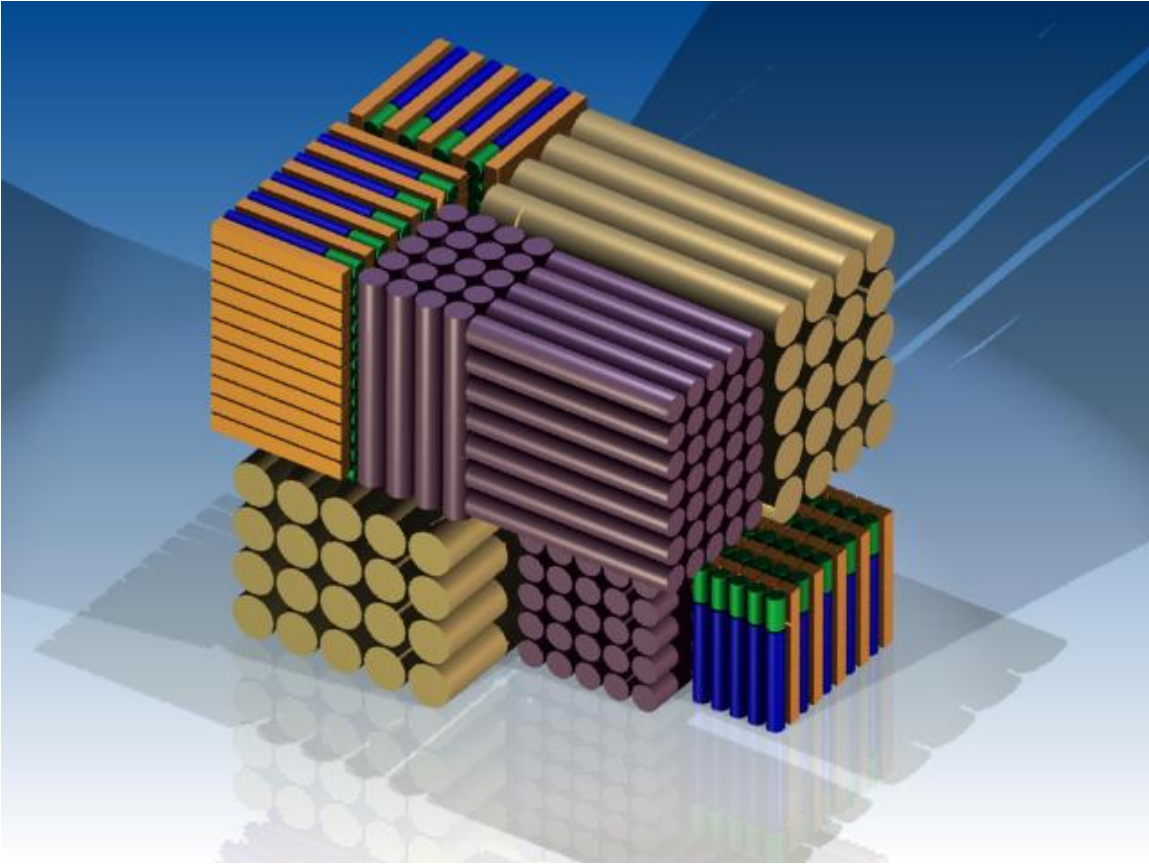


Fig. 4.6. Specimen layout for NBG-18

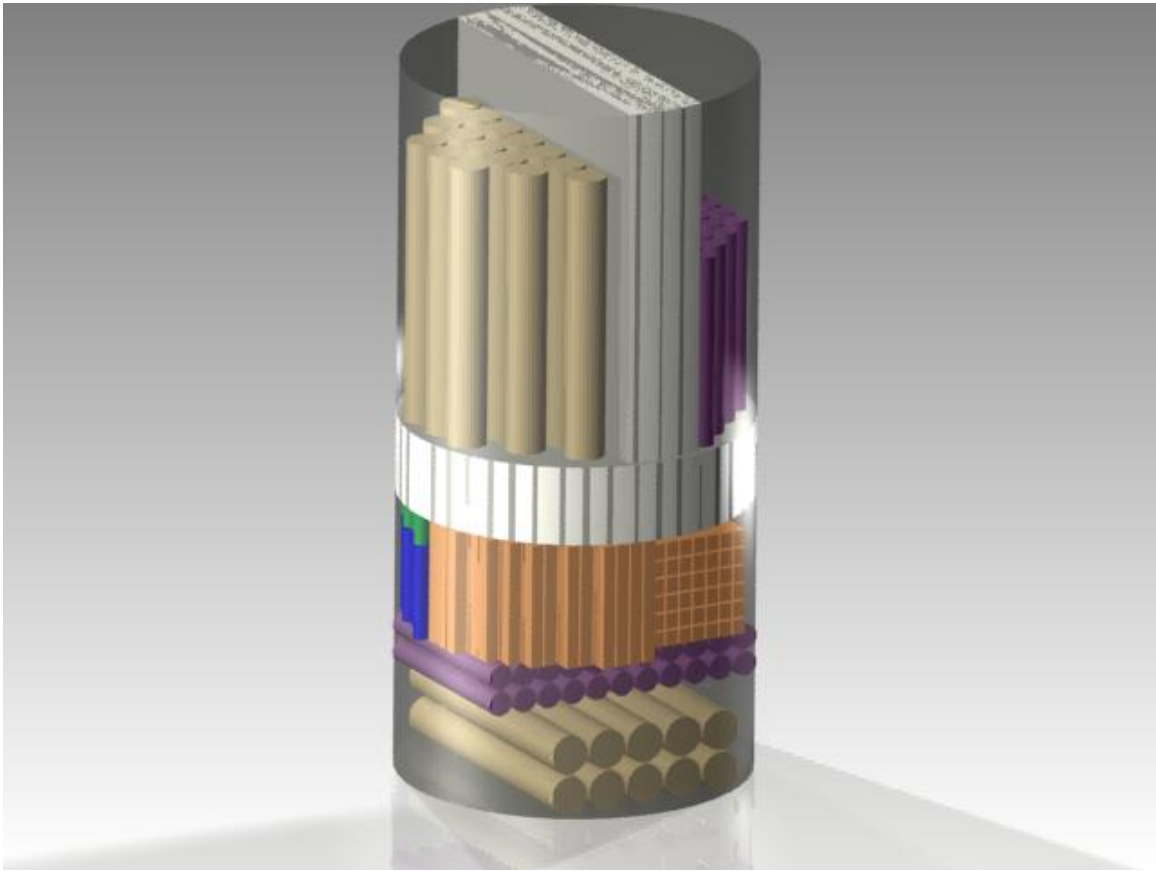


Fig. 4.7. Specimen layout for PCEA

5. Summary

A joint ORNL and INL program has been initiated to characterize the physical and mechanical properties of candidate NGNP graphites including NBG-17, NBG-18, PCEA and IG-43. Graphite billets have been purchased. Detail drawings for machining tensile, compression and flexure specimens have been prepared in conformance with applicable ASTM standard test methods. Billet slabbing plans and a specimen identification legend have been conceived. And detailed billet cutting plans have been prepared. It is anticipated that specimen machining, and subsequent testing will be undertaken in FY 07 as funding permits.

Appendix 1. Graphite Procurement

Graphite Purchases

Grade	Source	ORNL Purchase Order	Comments
NBG-17	SGL Carbon S.A.S. (France)	4000048662	Shared with INL
NBG-18	SGL Carbon S.A.S. (France)	4000049662	Shared with INL
PCEA	UCAR Carbon Co. Parma, OH	4000047677	Billet sent to INL
		4000049350	ORNL billet
IG-430	Toyo Tanso USA Inc. Troutdale, OR	4000049189	One billet each for ORNL and INL

Appendix 2. Shiva Chemical Analysis

Customer UT-Battelle Oak Ridge
 Date 07-Aug-06 07-Aug-06 08-Aug-06 08-Aug-06

Customer ID	Graphite NBG-17	Graphite NBG-18	Graphite PCEA	Graphite IG-430
Shiva ID	U060802015	U060802016	U060802018	U060802020

P.O. # 3400075184
 Job # UP4897

Element	Concentration [ppm wt]	Concentration [ppm wt]	Concentration [ppm wt]	Concentration [ppm wt]
Li	0.21	0.05	< 0.01	< 0.01
Be	< 0.01	< 0.01	< 0.01	< 0.01
B	0.61	0.57	0.71	0.08
C	Matrix	Matrix	Matrix	Matrix
N	-	-	-	-
O	-	-	-	-
F	< 1	< 1	< 1	< 1
Na	0.28	0.17	0.08	< 0.05
Mg	< 0.5	< 0.5	< 0.5	< 0.5
Al	0.09	0.24	0.06	< 0.05
Si	100 *	38	1.5	1.9
P	0.35	< 0.1	0.22	< 0.1
S	12	4.8	4.6	0.25
Cl	0.21	0.14	0.19	0.22
K	0.35	< 0.1	< 0.1	< 0.1
Ca	2.2	5.9	0.19	< 0.05
Sc	< 0.05	< 0.05	< 0.05	< 0.05
Ti	5.5	0.23	0.04	< 0.01
V	0.73	0.04	0.28	< 0.01
Cr	< 0.5	< 0.5	< 0.5	< 0.5
Mn	< 0.05	< 0.05	< 0.05	< 0.05
Fe	26	4.8	0.06	< 0.01
Co	0.11	< 0.05	< 0.05	< 0.05
Ni	1.2	< 0.1	< 0.1	< 0.1
Cu	< 0.1	< 0.1	< 0.1	< 0.1
Zn	< 0.1	< 0.1	< 0.1	< 0.1
Ga	< 0.1	< 0.1	< 0.1	< 0.1
Ge	< 0.1	< 0.1	< 0.1	< 0.1
As	< 0.1	< 0.1	< 0.1	< 0.1
Se	< 0.1	< 0.1	< 0.1	< 0.1
Br	< 0.1	< 0.1	< 0.1	< 0.1
Rb	< 0.05	< 0.05	< 0.05	< 0.05
Sr	< 0.05	0.06	< 0.05	< 0.05
Y	< 0.05	< 0.05	< 0.05	< 0.05
Zr	0.49	0.22	< 0.05	< 0.05
Nb	< 0.1	< 0.1	< 0.1	< 0.1
Mo	0.08	< 0.05	0.35	< 0.05
Ru	< 0.1	< 0.1	< 0.1	< 0.1
Rh	< 0.1	< 0.1	< 0.1	< 0.1
Pd	< 0.1	< 0.1	< 0.1	< 0.1

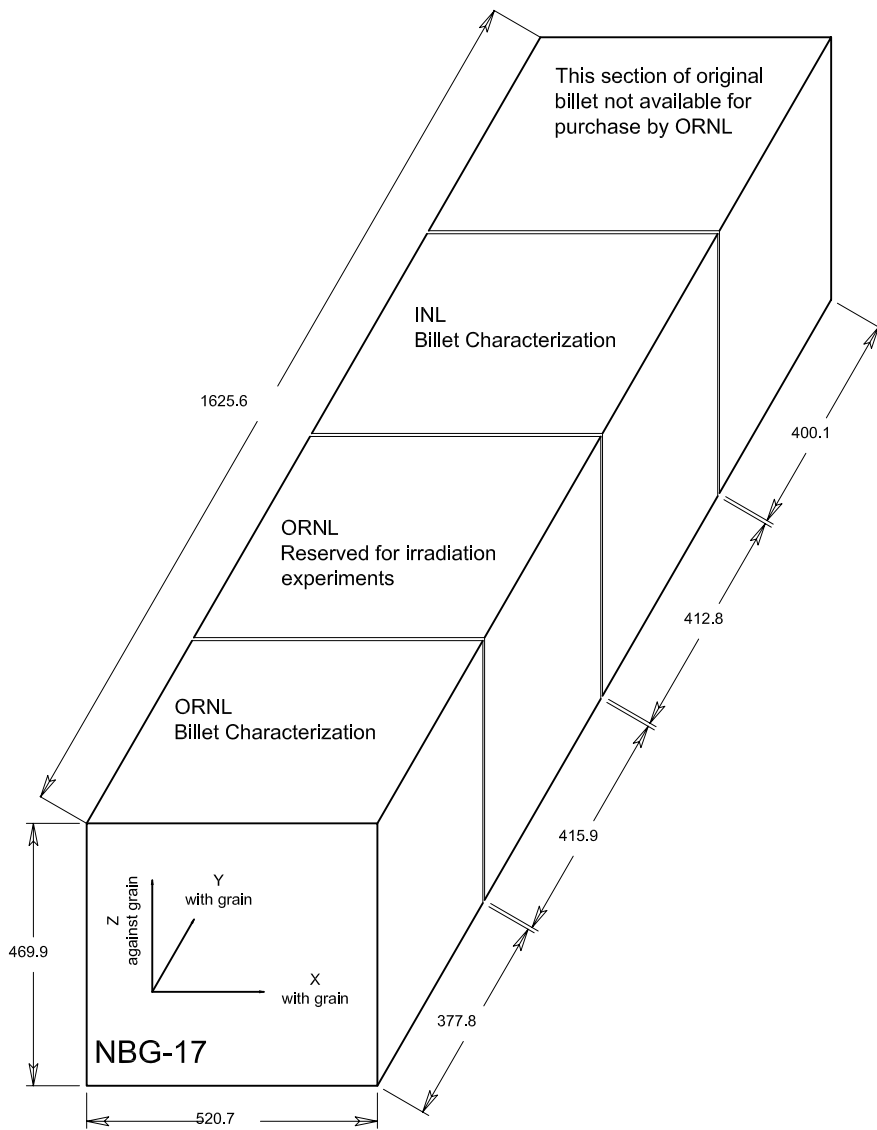
Customer ID	Graphite NBG-17	Graphite NBG-18	Graphite PCEA	Graphite IG-430
Shiva ID	U060802015	U060802016	U060802018	U060802020

Element	Concentration [ppm wt]	Concentration [ppm wt]	Concentration [ppm wt]	Concentration [ppm wt]
Ag	< 0.1	< 0.1	< 0.1	< 0.1
Cd	< 0.1	< 0.1	< 0.1	< 0.1
In	< 0.1	< 0.1	< 0.1	< 0.1
Sn	< 0.5	< 0.5	< 0.5	< 0.5
Sb	< 0.5	< 0.5	< 0.5	< 0.5
Te	< 0.1	< 0.1	< 0.1	< 0.1
I	< 0.1	< 0.1	< 0.1	< 0.1
Cs	< 0.1	< 0.1	< 0.1	< 0.1
Ba	< 0.1	< 0.1	< 0.1	< 0.1
La	< 0.5	< 0.5	< 0.5	< 0.5
Ce	< 0.05	< 0.05	< 0.05	< 0.05
Pr	< 0.05	< 0.05	< 0.05	< 0.05
Nd	< 0.05	< 0.05	< 0.05	< 0.05
Sm	< 0.05	< 0.05	< 0.05	< 0.05
Eu	< 0.05	< 0.05	< 0.05	< 0.05
Gd	< 0.05	< 0.05	< 0.05	< 0.05
Tb	< 0.05	< 0.05	< 0.05	< 0.05
Dy	< 0.05	< 0.05	< 0.05	< 0.05
Ho	< 0.05	< 0.05	< 0.05	< 0.05
Er	< 0.05	< 0.05	< 0.05	< 0.05
Tm	< 0.05	< 0.05	< 0.05	< 0.05
Yb	< 0.05	< 0.05	< 0.05	< 0.05
Lu	< 0.05	< 0.05	< 0.05	< 0.05
Hf	< 0.05	< 0.05	< 0.05	< 0.05
Ta	< 5	< 5	< 5	< 5
W	< 0.05	< 0.05	< 0.05	0.35
Re	< 0.05	< 0.05	< 0.05	< 0.05
Os	< 0.05	< 0.05	< 0.05	< 0.05
Ir	< 0.05	< 0.05	< 0.05	< 0.05
Pt	< 0.05	< 0.05	< 0.05	< 0.05
Au	< 0.1	< 0.1	< 0.1	< 0.1
Hg	< 0.5	< 0.5	< 0.5	< 0.5
Tl	< 0.1	< 0.1	< 0.1	< 0.1
Pb	< 0.5	< 0.5	< 0.5	< 0.5
Bi	< 0.1	< 0.1	< 0.1	< 0.1
Th	< 0.05	< 0.05	< 0.05	< 0.05
U	< 0.05	< 0.05	< 0.05	< 0.05

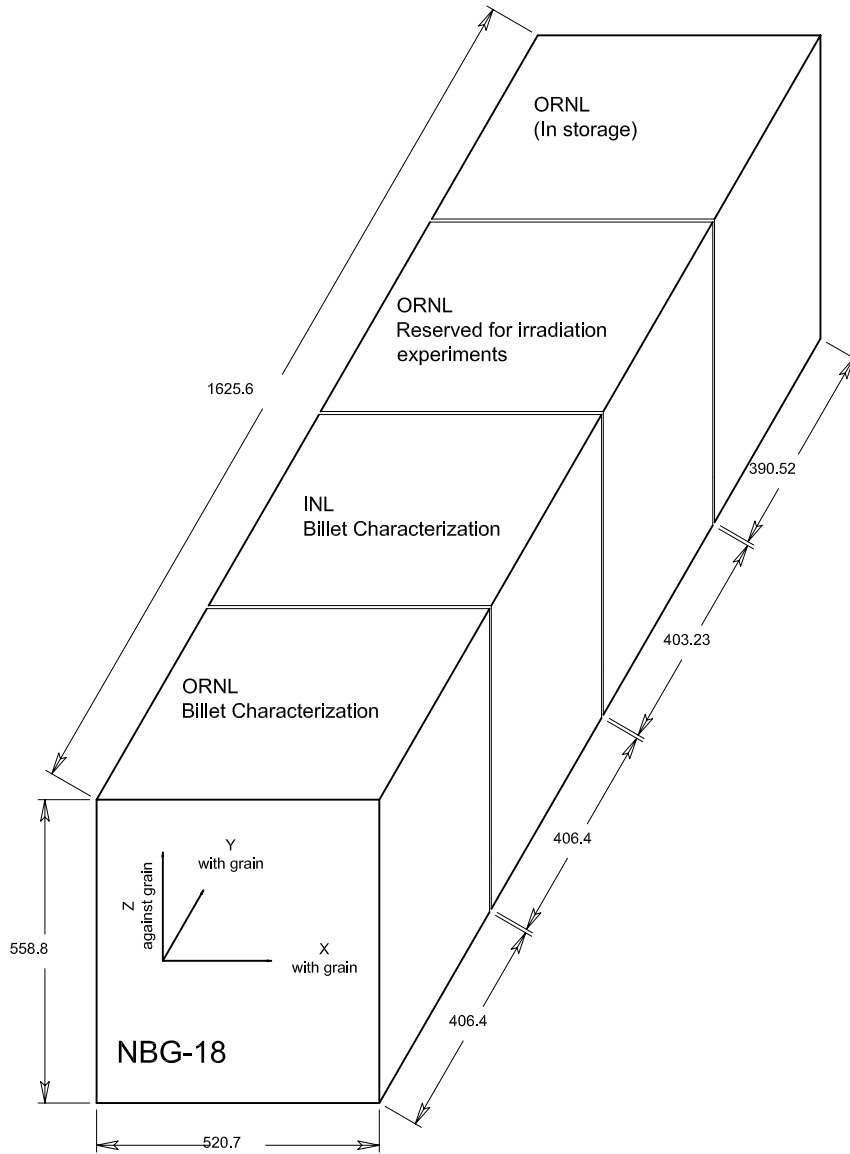
Note: analyzed by GDMS except as noted by "**"

* analyzed by ICP-OES

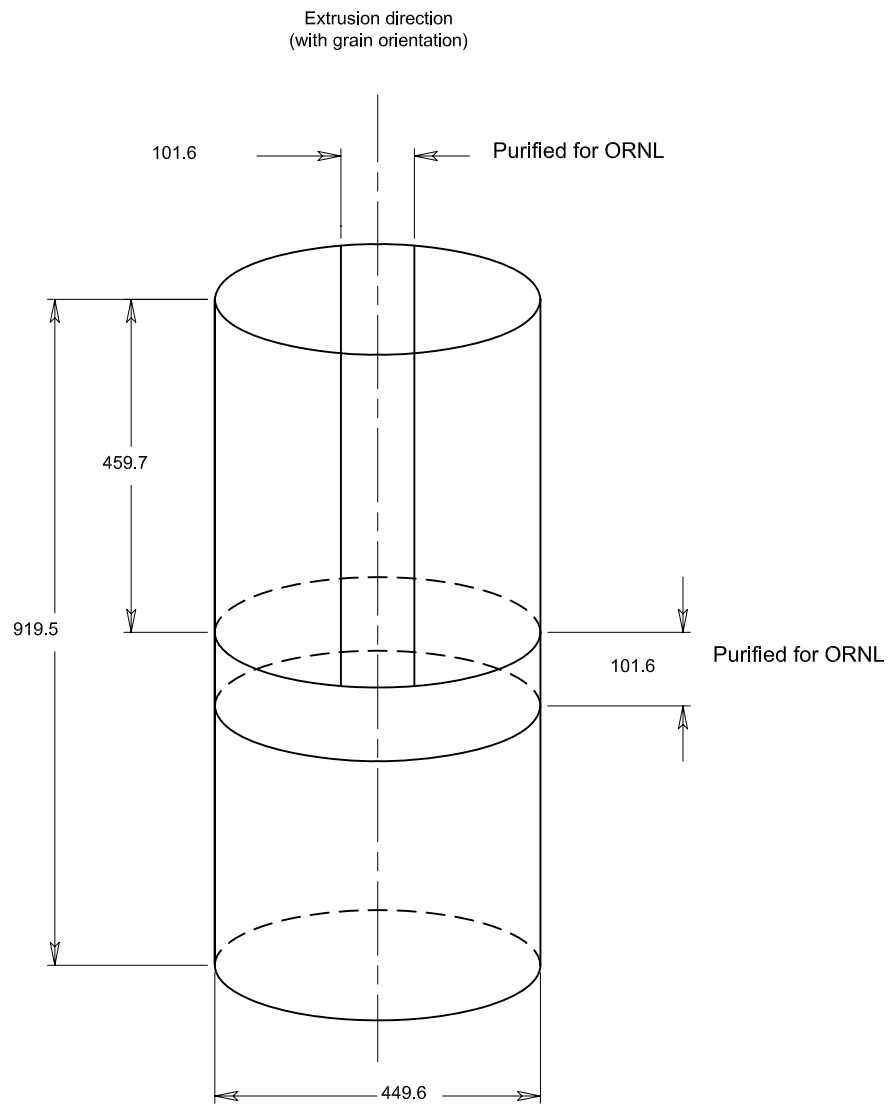
Appendix 3. Billet Sizes and Distribution



Dimensions in millimeters.

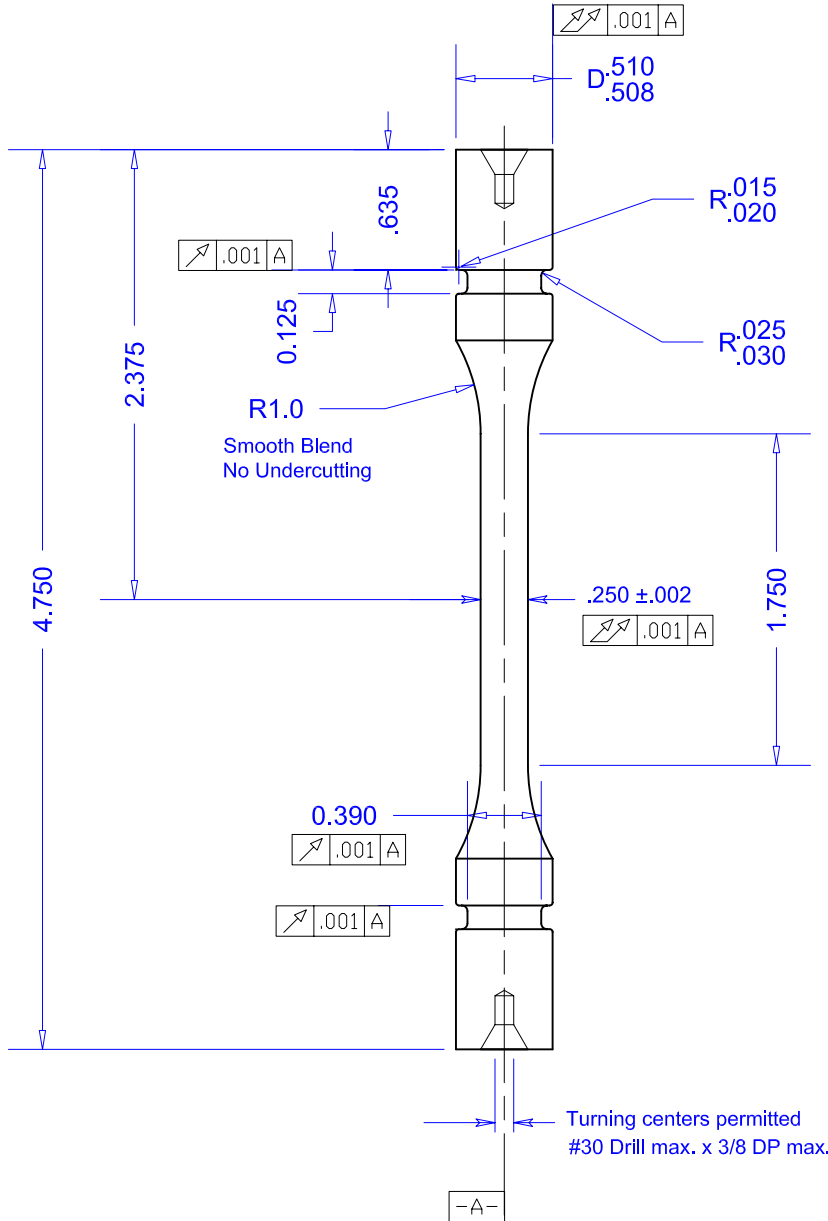


Dimension in millimeters.



Appendix 4. Specimen Detail Drawings

- Notes. 1. Graphite grade to be machined shall be specified on the accompanying purchase order.
 2. Dimensional inspection shall be performed at ORNL upon receipt.
 3. Reference ASTM Standard C 749 - 92 (Reapproved 2002), Fig. 9, Item 109.
 4. ORNL Deviation form to be completed prior to deviation from the drawing.

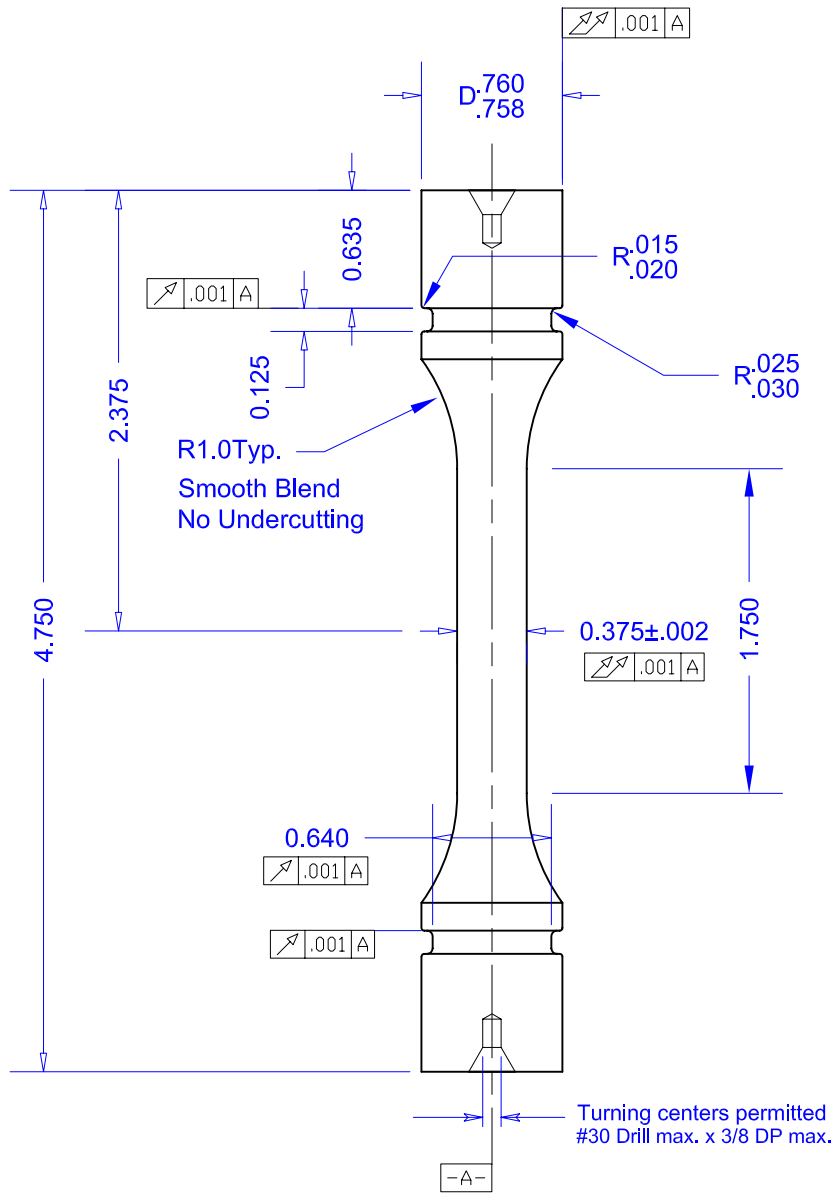


General surface finish 32-microinch or better

QA		<h1>ORNL</h1>	Title	
PI			Graphite Tensile Specimen 0.250 Diam.	
Drawn Strizak	08/02/06	Oak Ridge National Laboratory	Drawing Number	Rev
Name	Date		JPS-NGNP-001	0

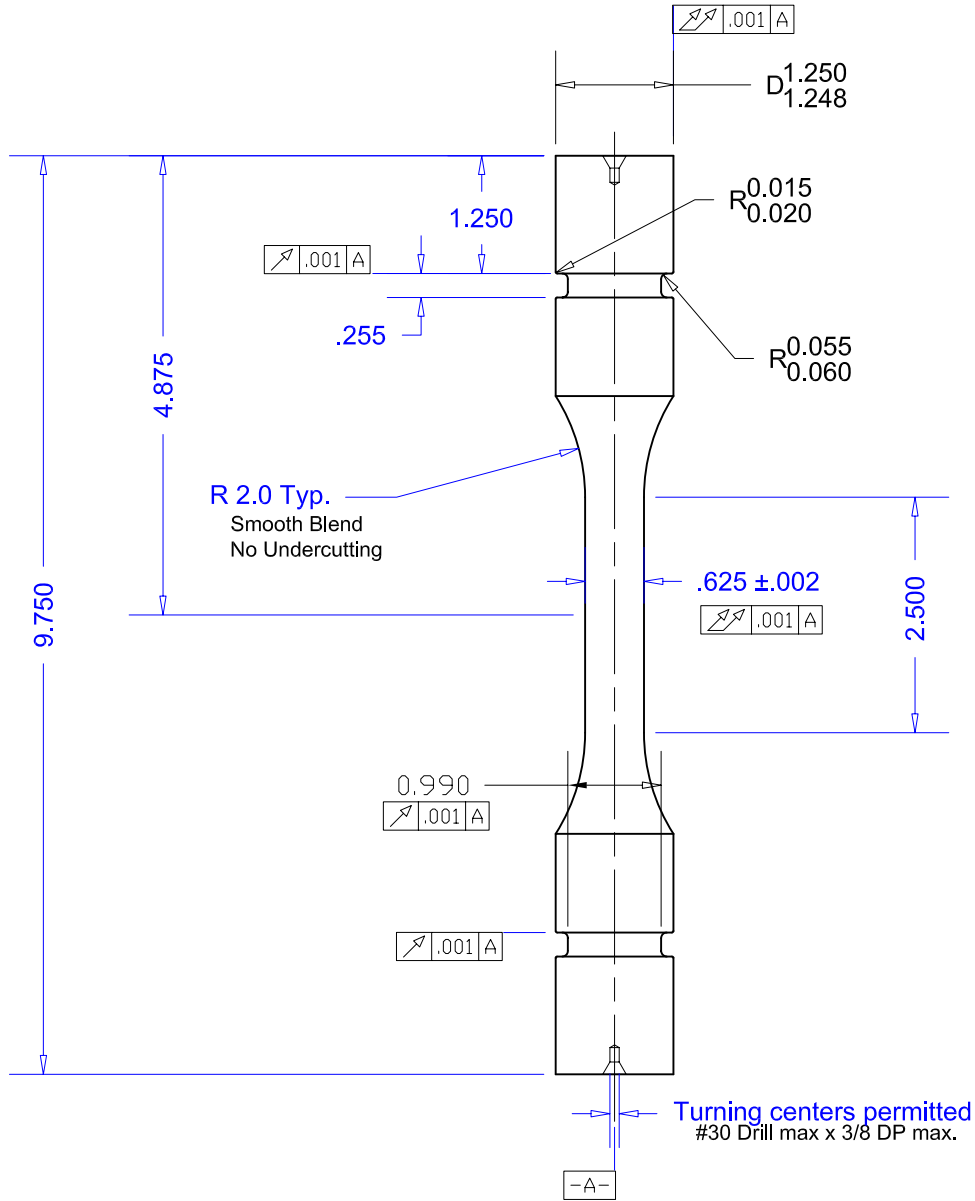
- Notes. 1. Graphite grade to be machined shall be specified on the accompanying purchase order.
 2. Dimensional inspection shall be performed at ORNL upon receipt.
 3. Reference ASTM Standard C 749 - 92 (Reapproved 2002), Fig. 9, Item 113.
 4. ORNL Deviation form to be completed prior to deviation from the drawing.

General surface finish 32-microinch or better



QA		<p>ORNL</p> <p>Oak Ridge National Laboratory</p>	Title	
PI			Graphite Tensile Specimen 0.375 Diam.	
Drawn	Strizak		Drawing Number	Rev
Name	Date		JPS-NGNP-002	0

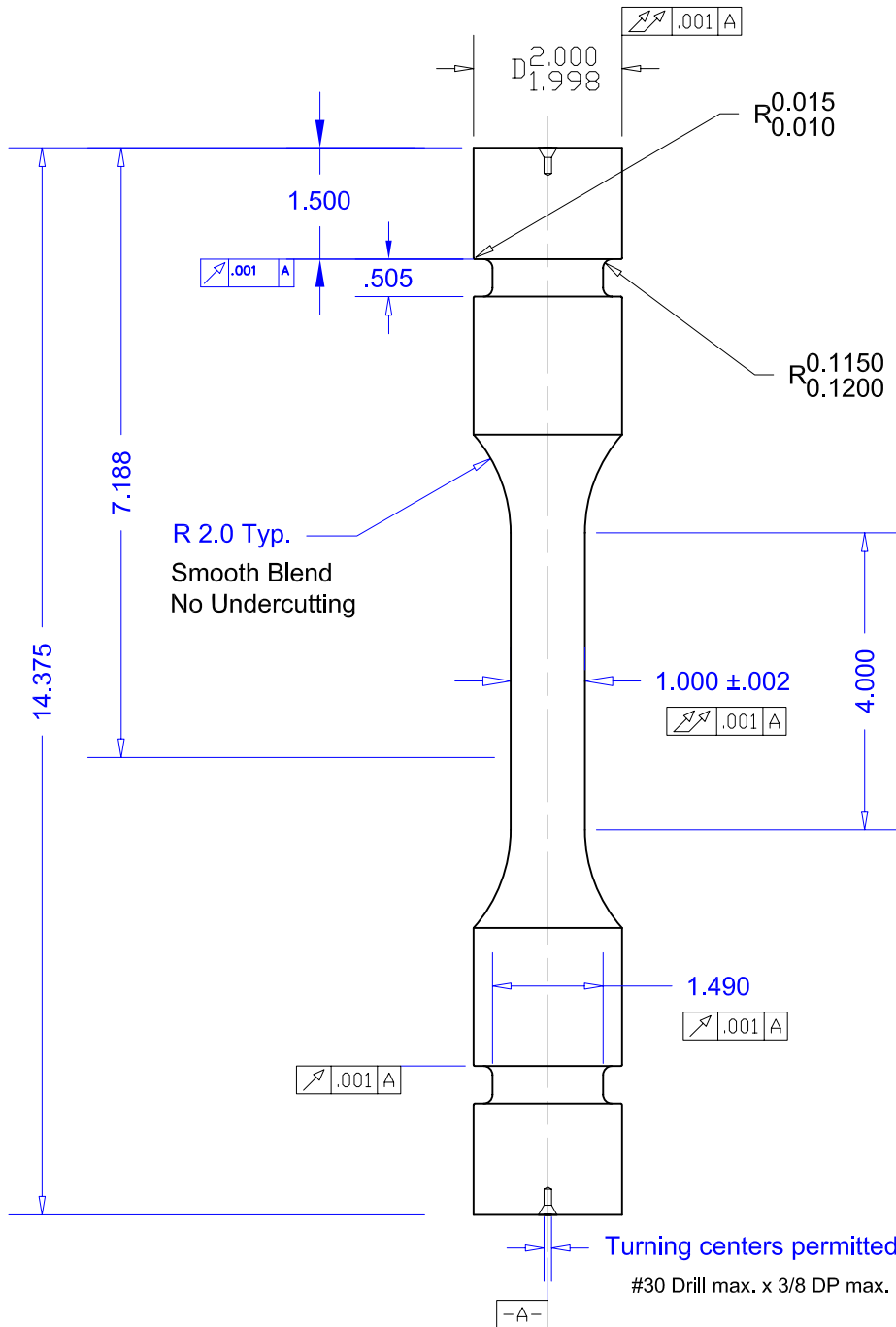
- Notes. 1. Graphite grade to be machined shall be specified on the accompanying purchase order.
 2. Dimensional inspection shall be performed at ORNL upon receipt.
 3. Reference ASTM Standard C 749 - 92 (Reapproved 2002), Fig. 9, Item 123.
 4. ORNL Deviation form to be completed prior to deviation from the drawing.



General surface finish 32-microinch or better

QA		<h1>ORNL</h1> <p>Oak Ridge National Laboratory</p>	Title Graphite Tensile Specimen 0.625 Diam.	
PI			Drawing Number JPS-NGNP-003	
Drawn Strizak	08/02/06		Rev 0	
Name	Date			

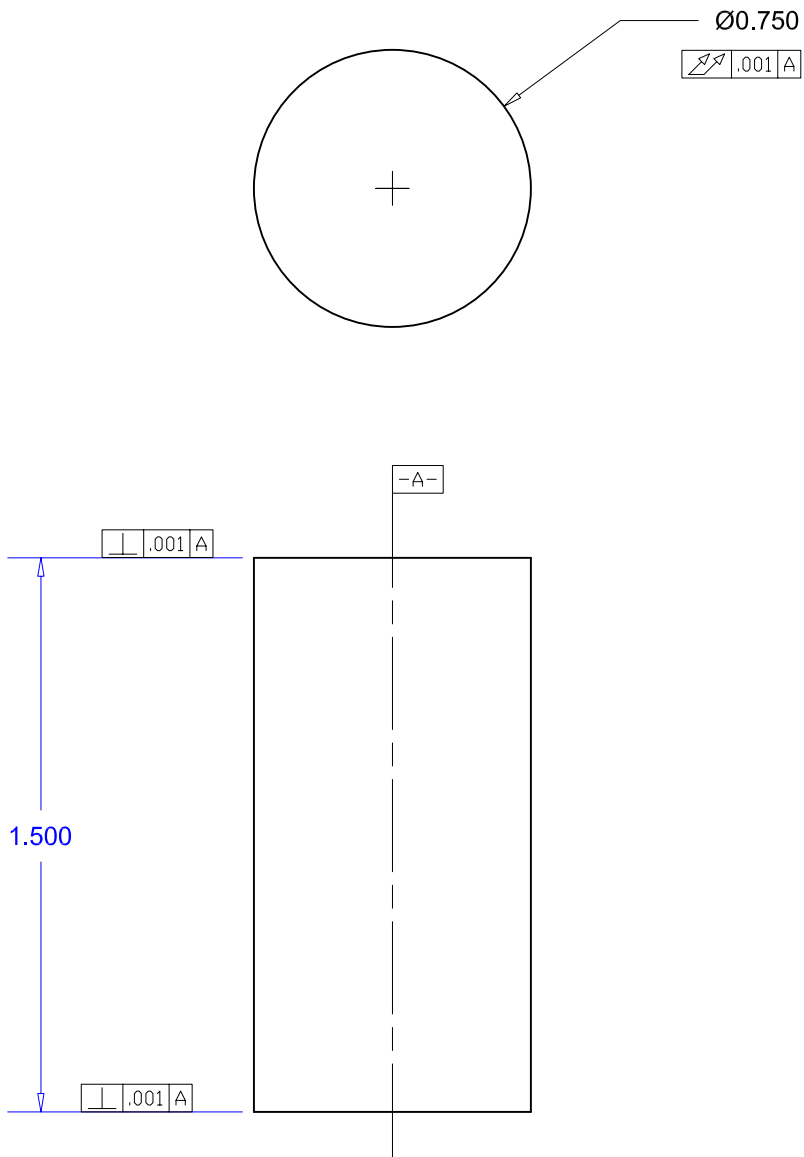
- Notes. 1. Graphite grade to be machined shall be specified on the accompanying purchase order.
 2. Dimensional inspection shall be performed at ORNL upon receipt.
 3. Reference ASTM Standard C 749 - 92 (Reapproved 2002), Fig. 9, Item 129.
 4. ORNL Deviation form to be completed prior to deviation from the drawing.



General surface finish 32-microinch or better

QA		<h1>ORNL</h1> <p>Oak Ridge National Laboratory</p>	Title Graphite Tensile Specimen 1.000 Diam.	
PI			Drawing Number JPS-NGNP-004	
Drawn Strizak	08/03/06		Rev 0	
Name	Date			

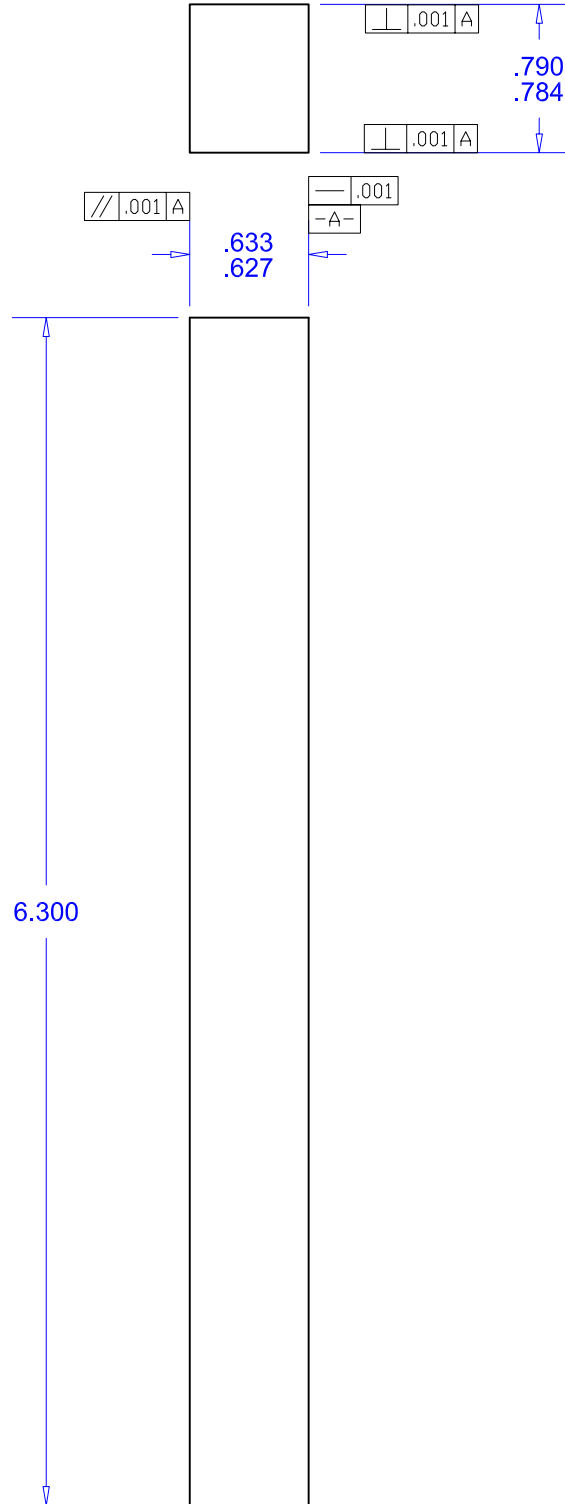
- Notes. 1. Graphite grade to be machined shall be specified on the accompanying purchase order.
 2. Dimensional inspection shall be performed at ORNL upon receipt.
 3. Reference ASTM Standard C 749 - 92 (Reapproved 2002), Fig. 9, Item109.
 4. ORNL Deviation form to be completed prior to deviation from the drawing.



General surface finish 32-microinch or better.

QA		<p>ORNL</p> <p>Oak Ridge National Laboratory</p>	Title		
PI			<p>Graphite Compression Specimen</p>		
Drawn	Strizak		09/05/06	Drawing Number	Rev
Name	Date			JPS-NGNP-005	0

- Notes. 1. Graphite grade to be machined shall be specified on the accompanying purchase order.
 2. Dimensional inspection shall be performed at ORNL upon receipt.
 3. Reference ASTM Standard C 749 - 92 (Reapproved 2002), Fig. 9, Item 109.
 4. ORNL Deviation form to be completed prior to deviation from the drawing.

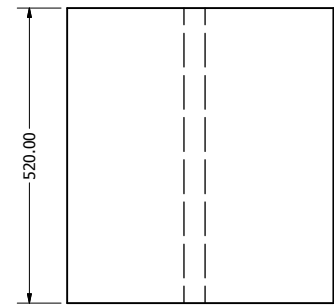


General surface finish 32-microinch or better.

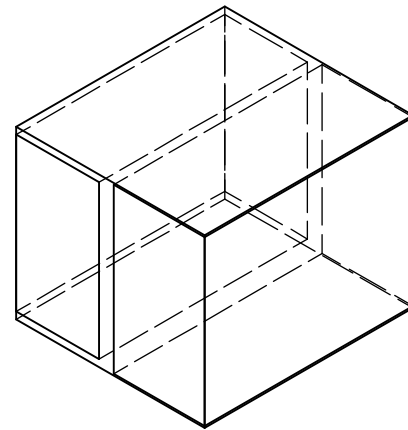
QA		<h1>ORNL</h1> <p>Oak Ridge National Laboratory</p>	Title Graphite Flexure Specimen	
PI			Drawing Number	
Drawn Strizak	09/06/06		JPS-NGNP-006	Rev 0
Name	Date			

Appendix 5. NBG-17 Billet Cutting Plans

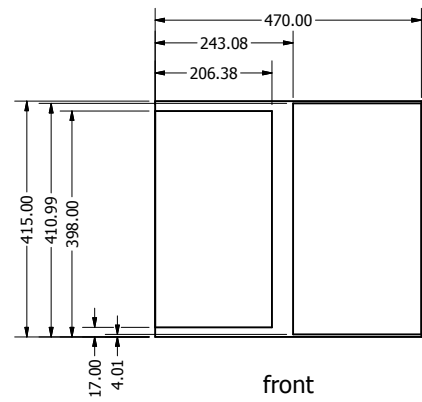
8 7 6 5 4 3 2 1



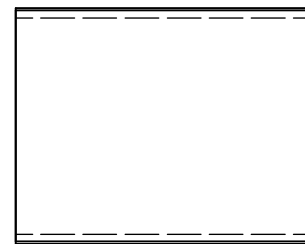
TOP



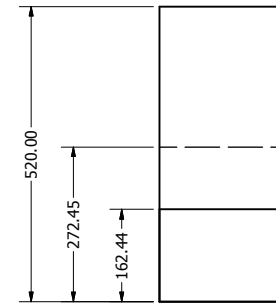
CUT OUT LEFT AND RIGHT SIDES OF BILLET



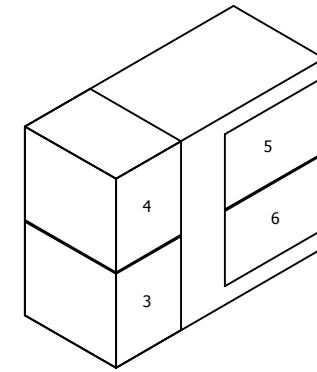
front



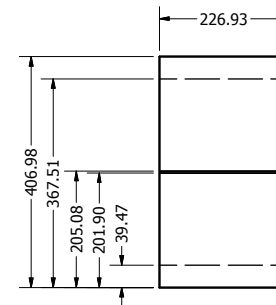
RIGHT



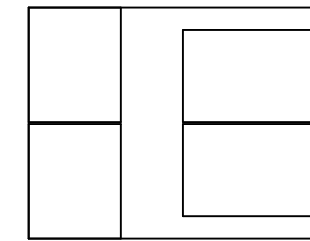
TOP



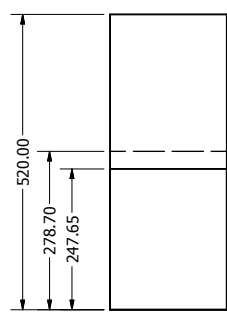
CUT SLABS 3, 4, 5, AND 6 FROM RIGHT SIDE OF BILLET



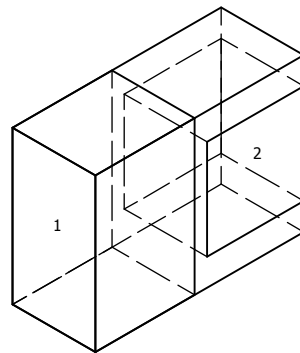
FRONT



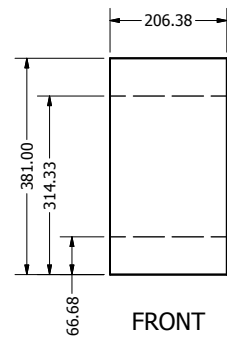
RIGHT



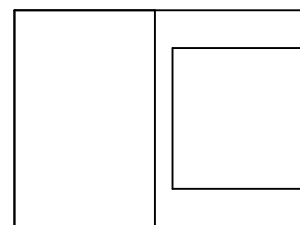
TOP



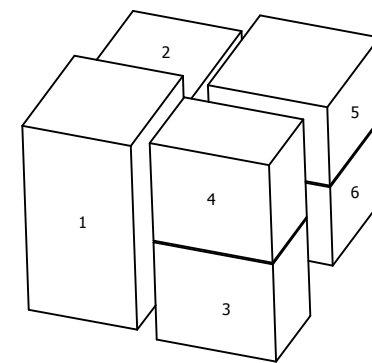
CUT SLABS 1 AND 2 FROM LEFT SIDE OF BILLET



FRONT

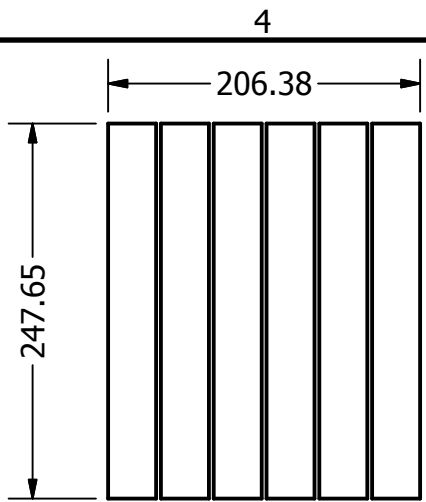


RIGHT

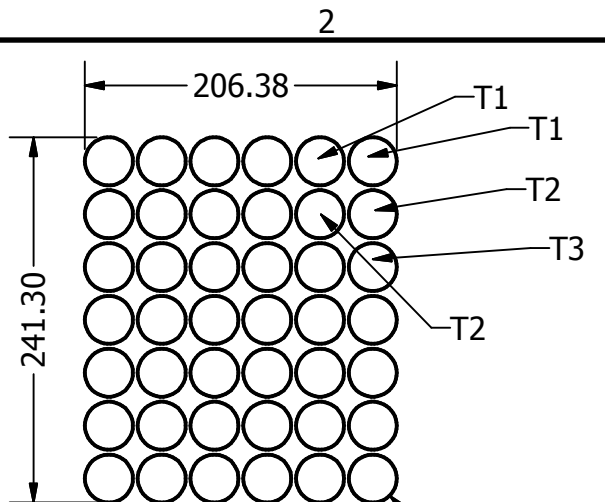
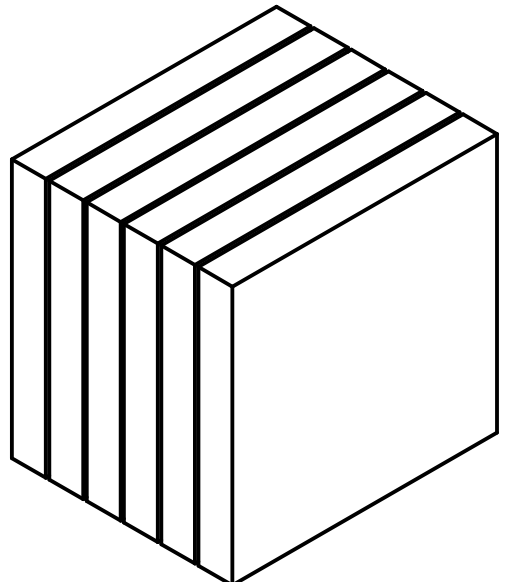


WHOLE BILLET SLABBING DIAGRAM

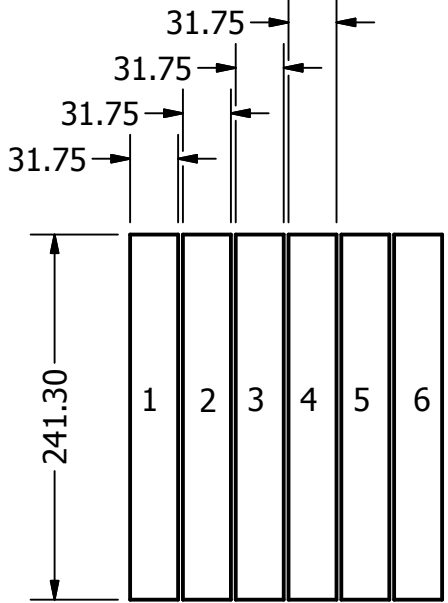
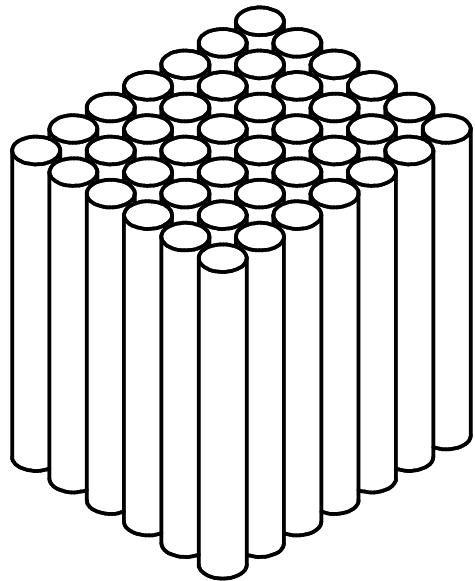
8 7 6 5 4 3 2 1



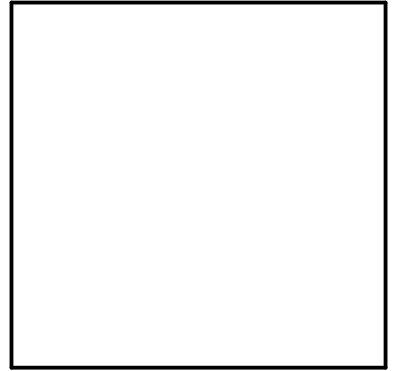
TOP



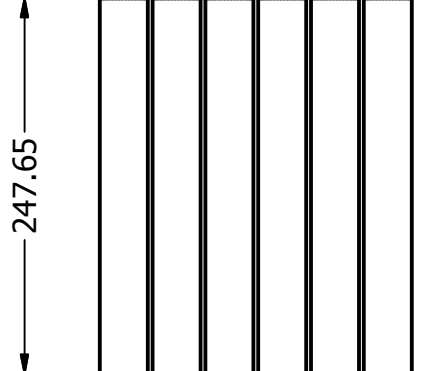
TOP



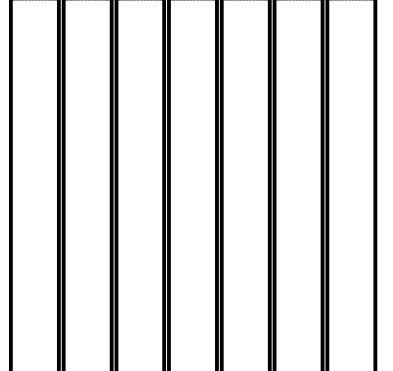
FRONT



RIGHT



FRONT



RIGHT

SLAB 2 CUTUP DIAGRAM (5/8" TENSILE)

SLAB 2 SUB-SLAB CUTUP DIAGRAM

B

B

A

A

4

3

2

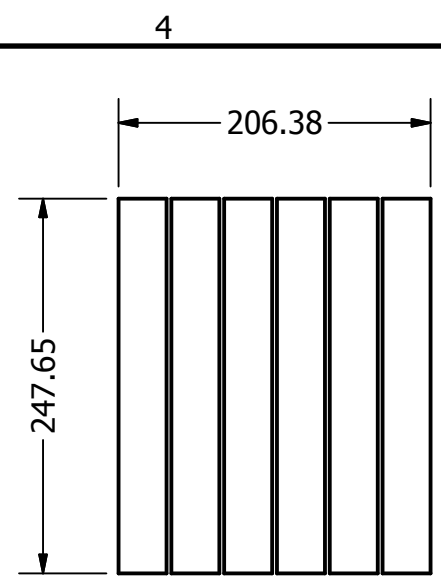
1

4

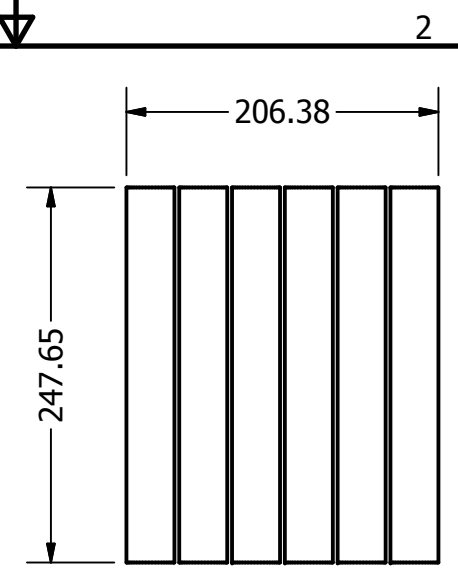
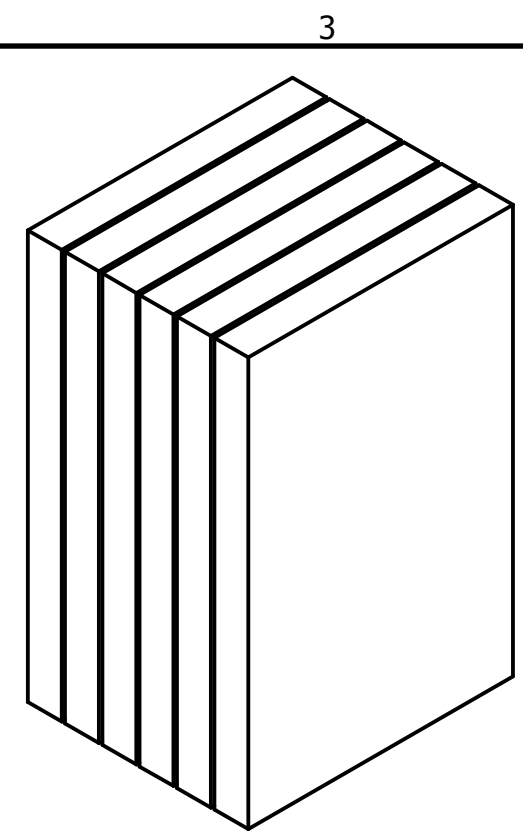
3

2

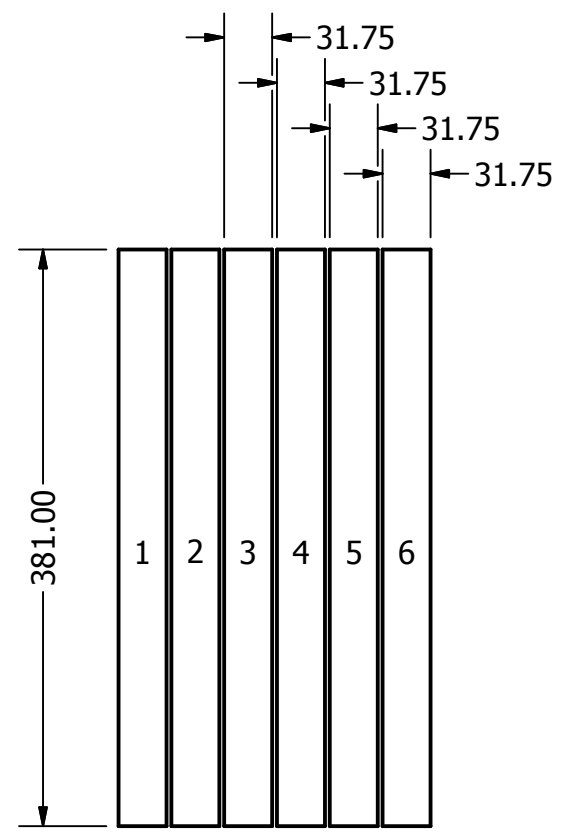
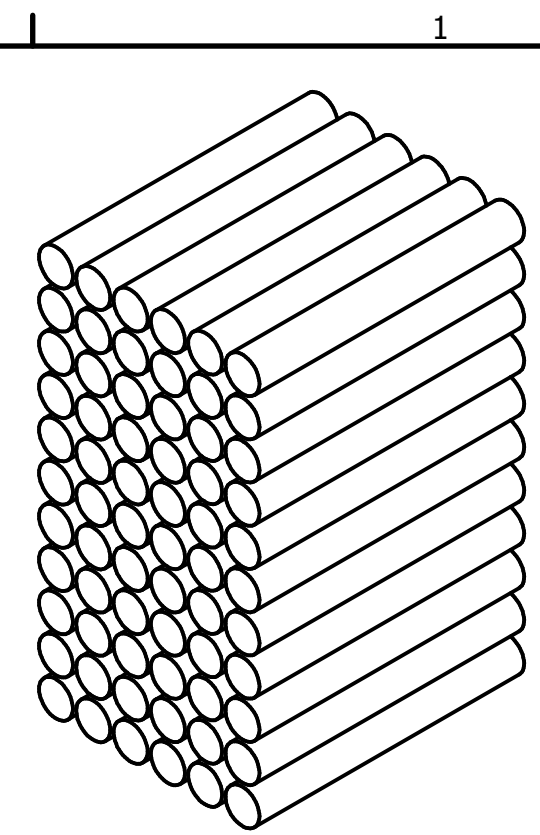
1



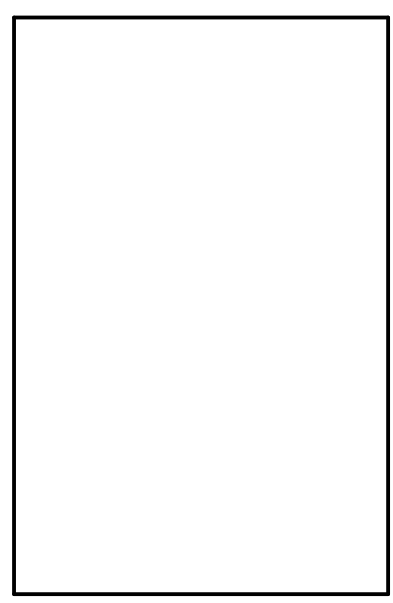
TOP



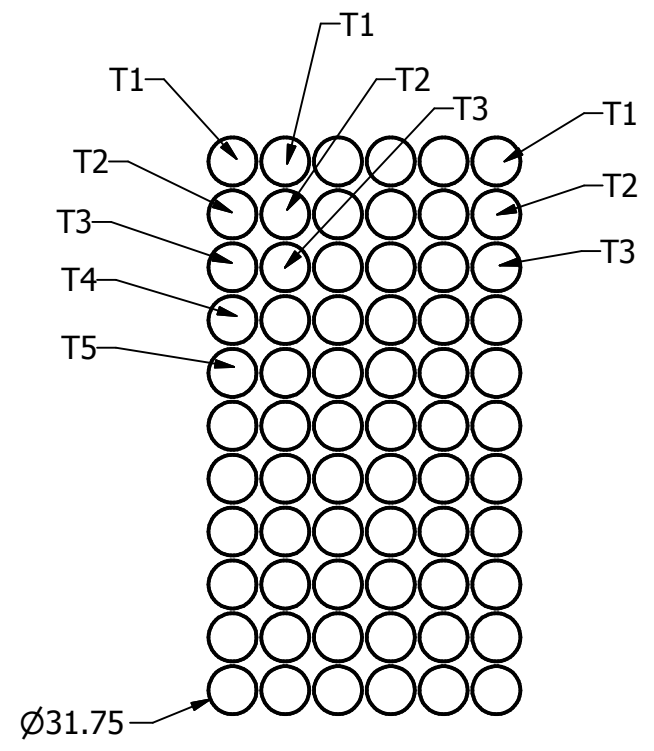
TOP



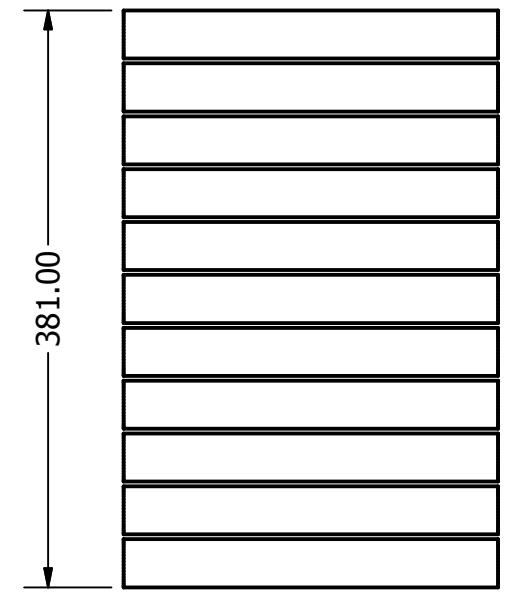
FRONT



RIGHT



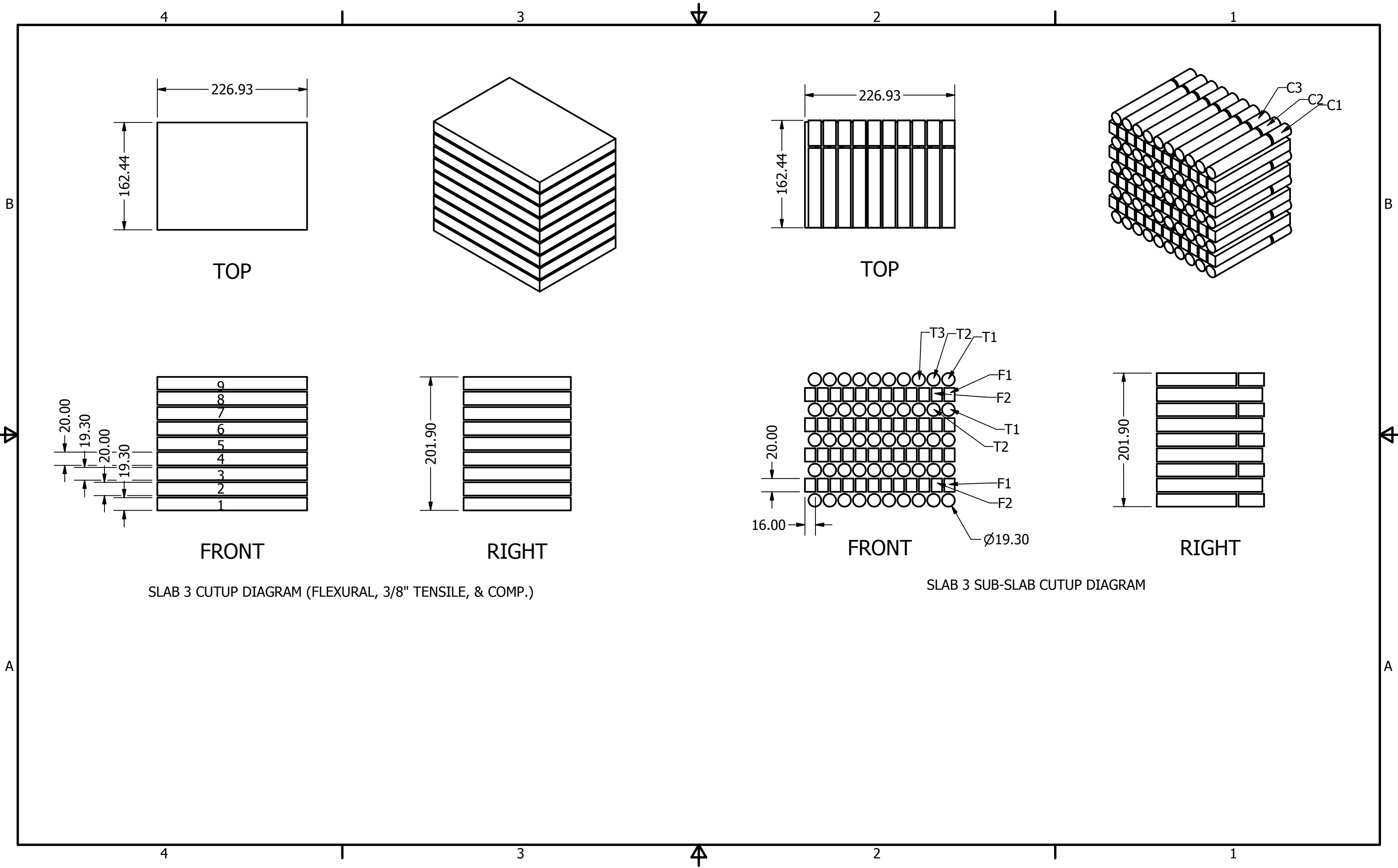
FRONT

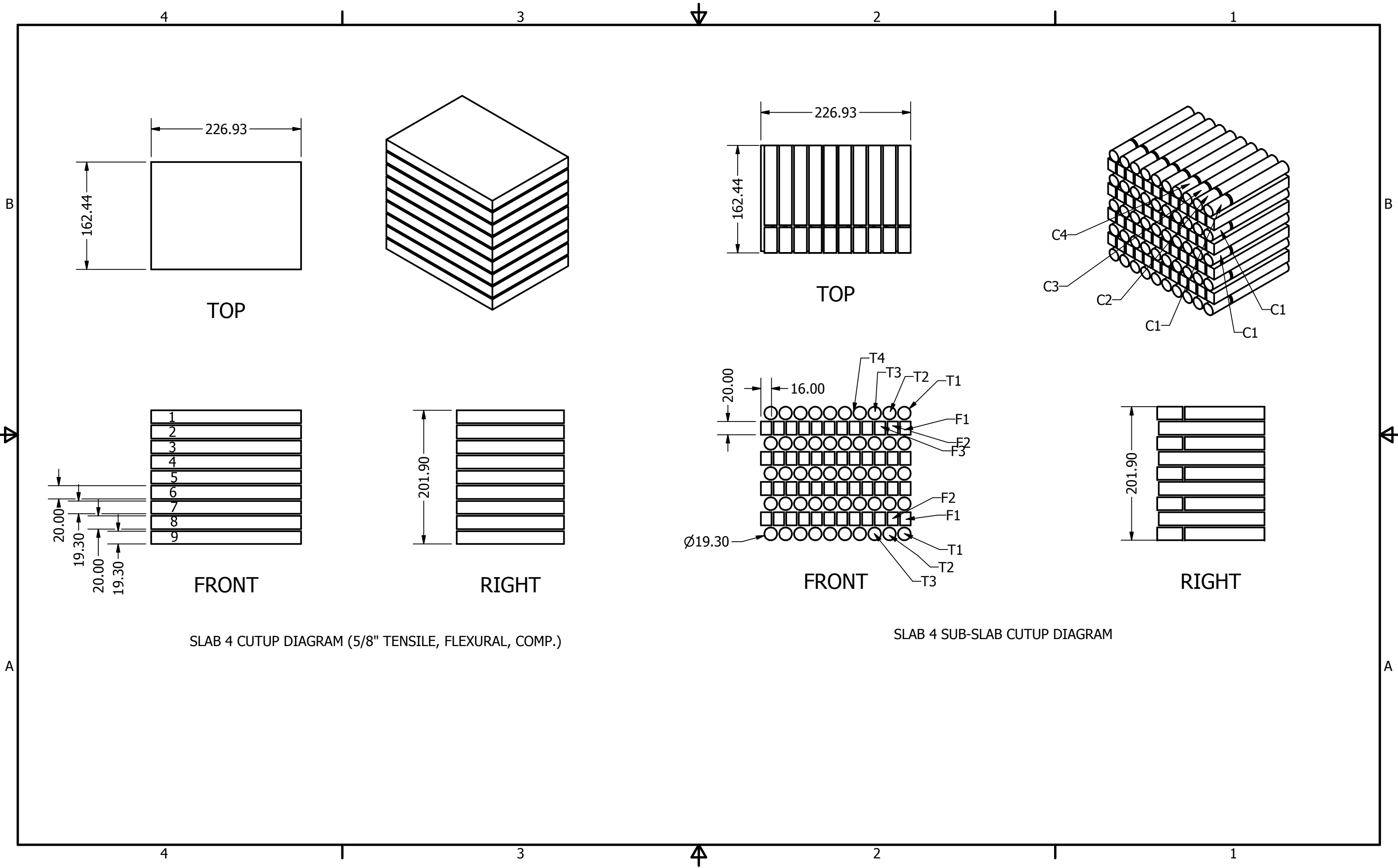


RIGHT

SLAB 1 CUTUP DIAGRAM (5/8" TENSILE)

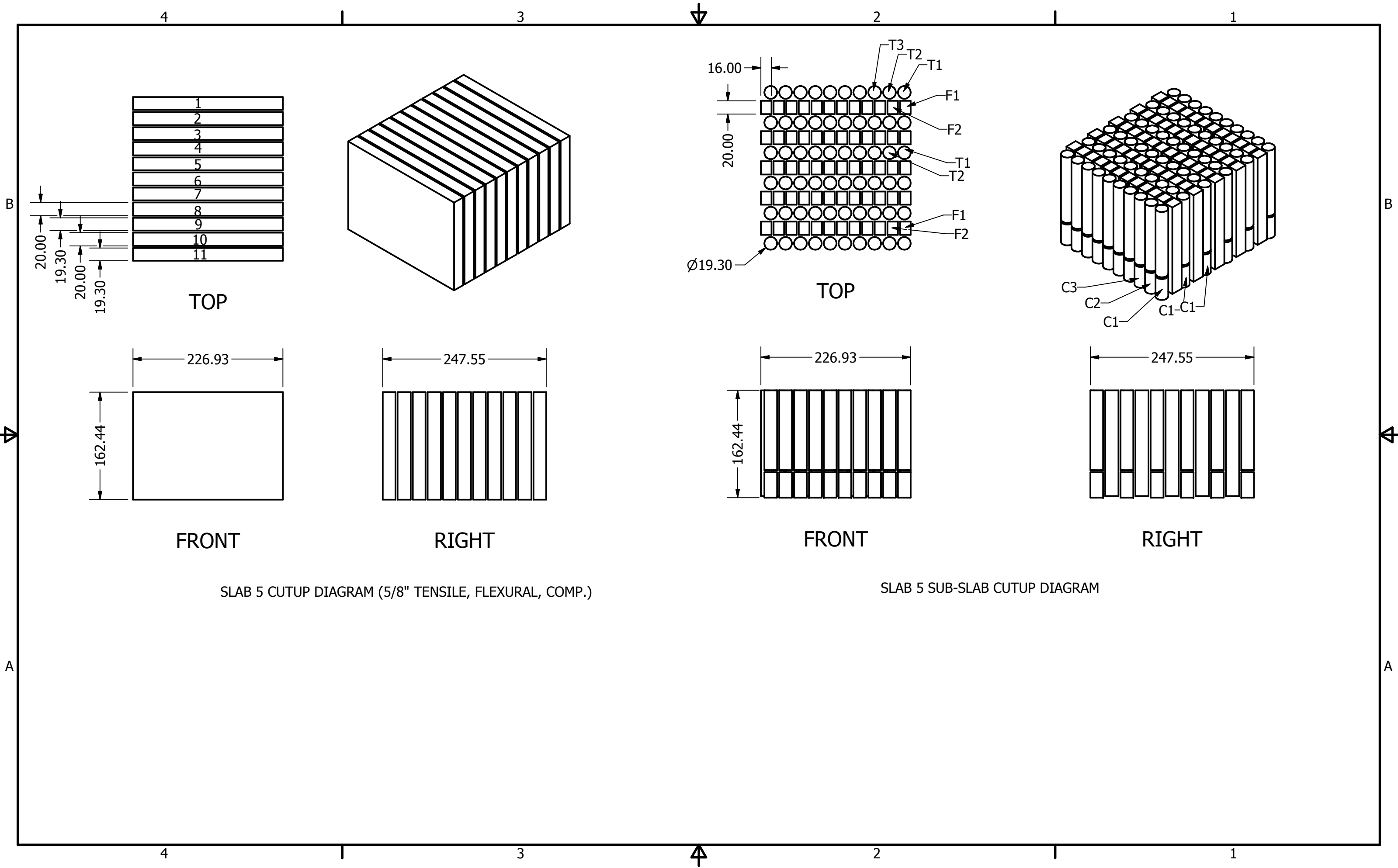
SLAB 1 SUB-SLAB CUTUP DIAGRAM





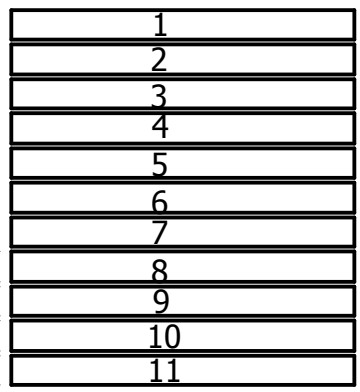
SLAB 4 CUTUP DIAGRAM (5/8" TENSILE, FLEXURAL, COMP.)

SLAB 4 SUB-SLAB CUTUP DIAGRAM

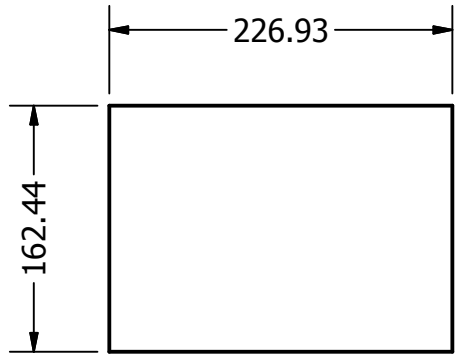
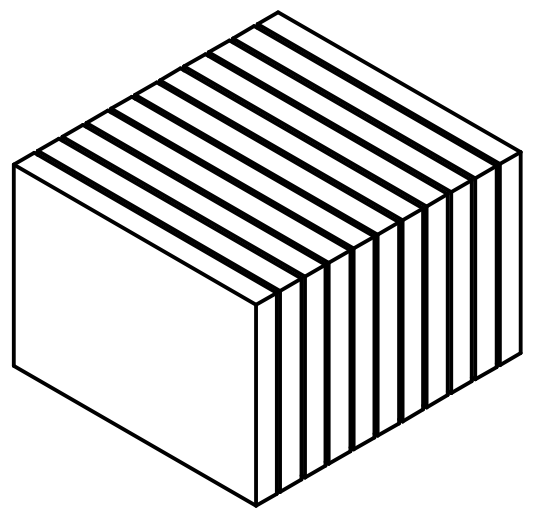


SLAB 5 CUTUP DIAGRAM (5/8" TENSILE, FLEXURAL, COMP.)

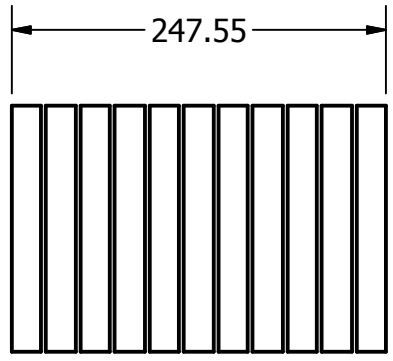
SLAB 5 SUB-SLAB CUTUP DIAGRAM



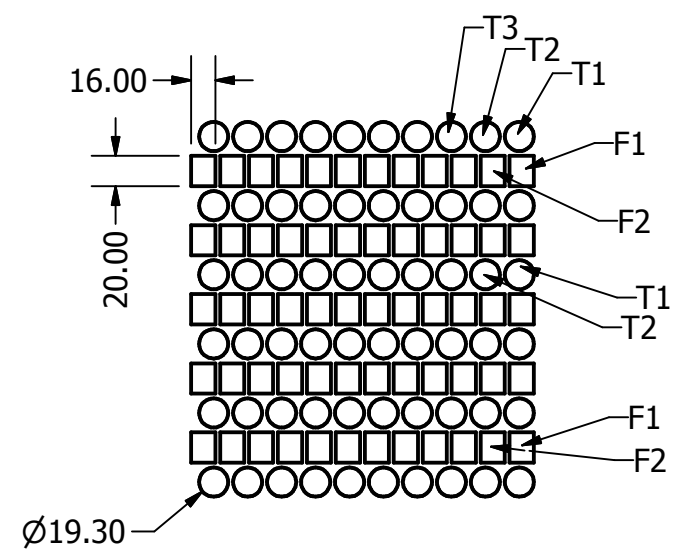
TOP



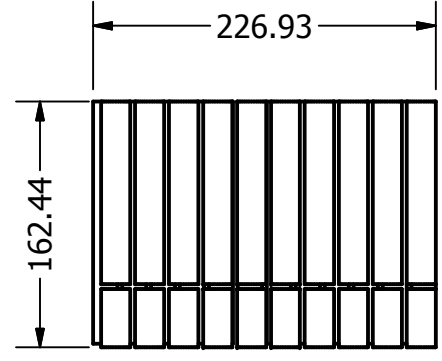
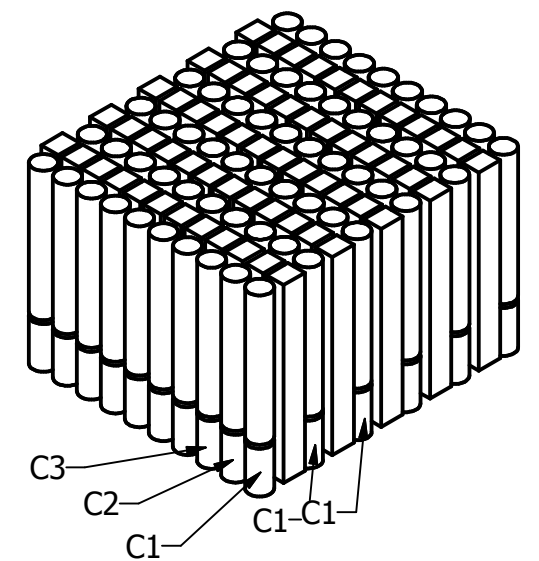
FRONT



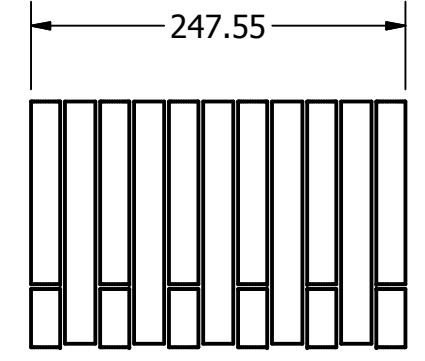
RIGHT



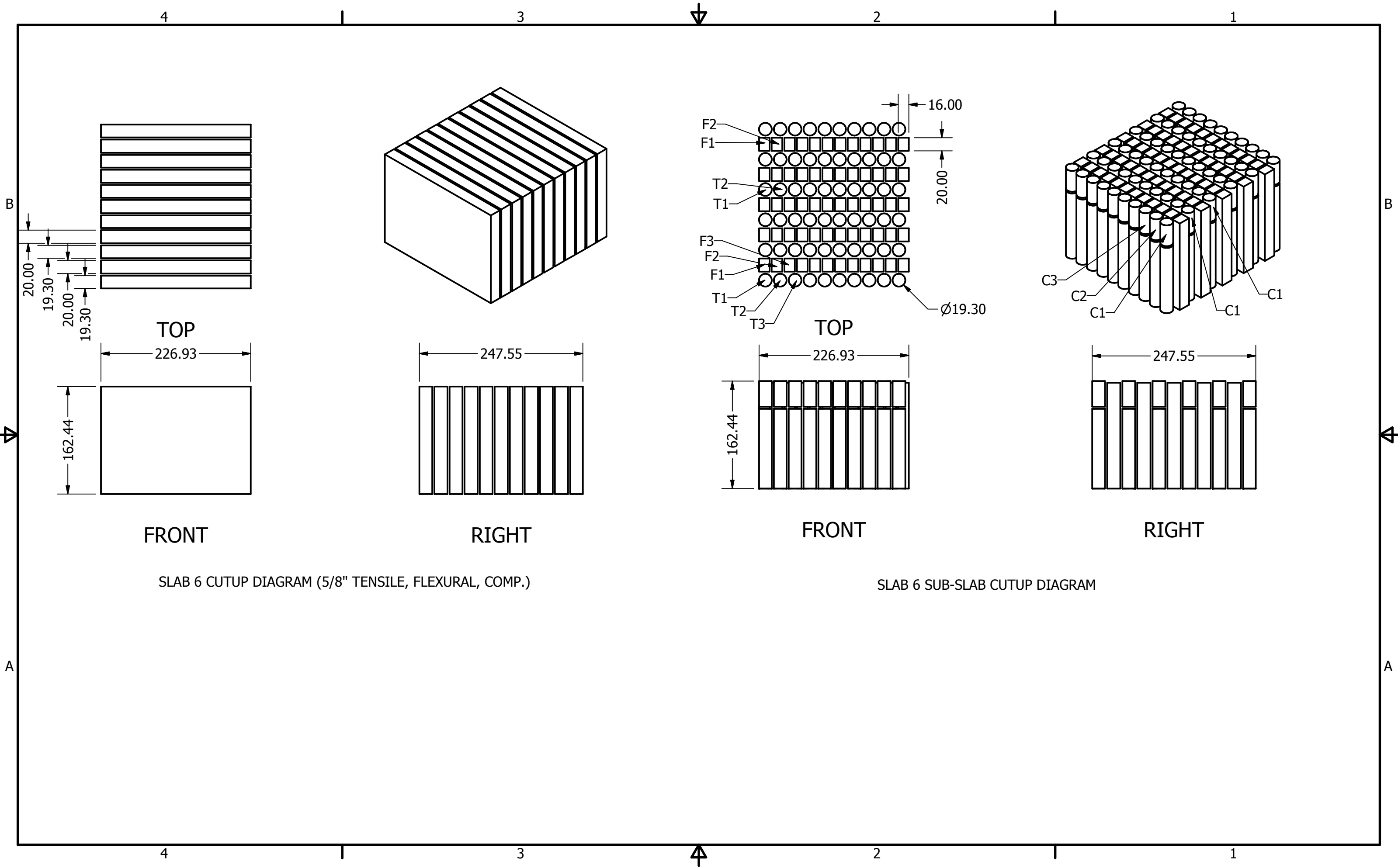
TOP



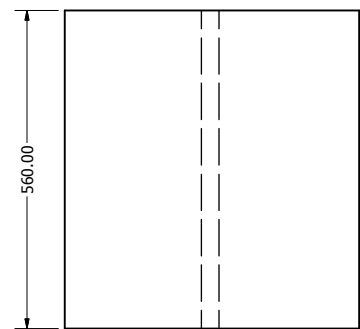
FRONT



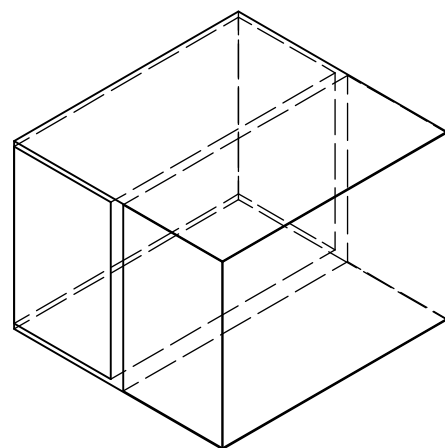
RIGHT



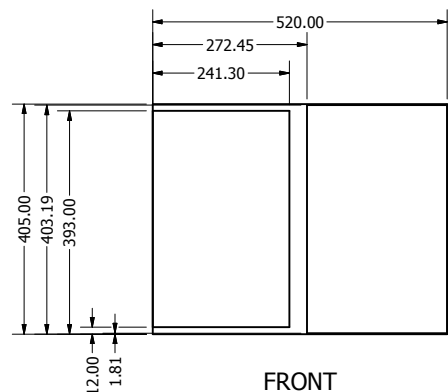
Appendix 6. NBG-18 Billet Cutting Plans



TOP



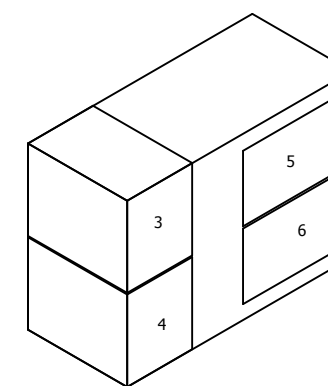
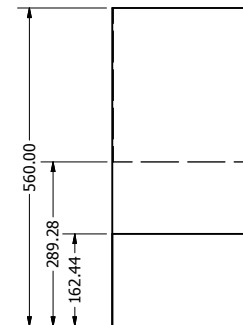
CUT BILLET INTO LEFT AND RIGHT BLOCKS



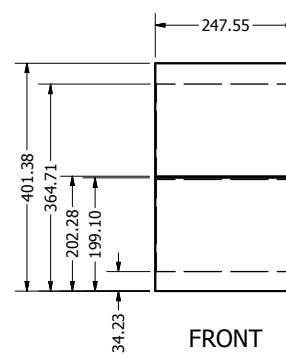
FRONT



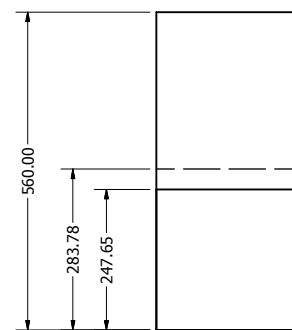
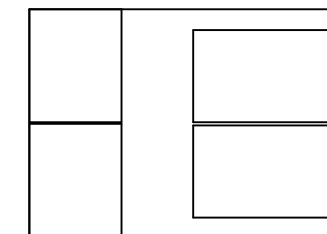
RIGHT



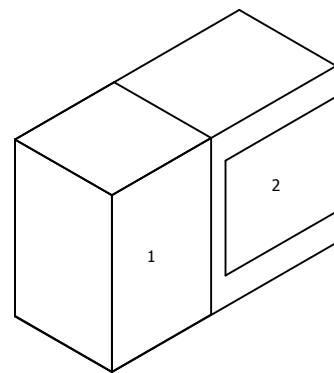
CUT SLABS 3, 4, 5, AND 6 FROM RIGHT SIDE OF BILLET



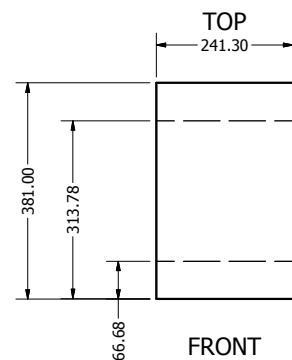
FRONT



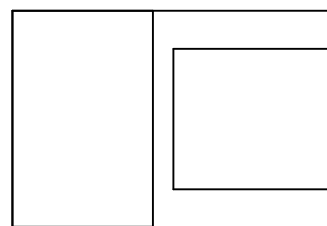
TOP



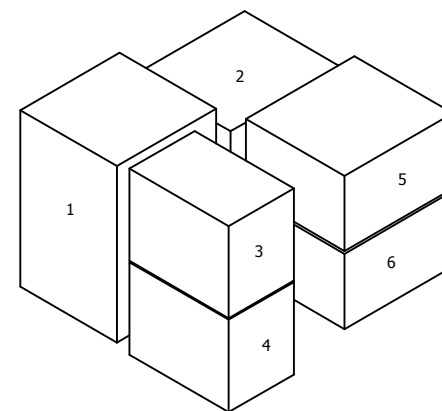
CUT SLABS 1 AND 2 FROM LEFT SIDE OF BILLET



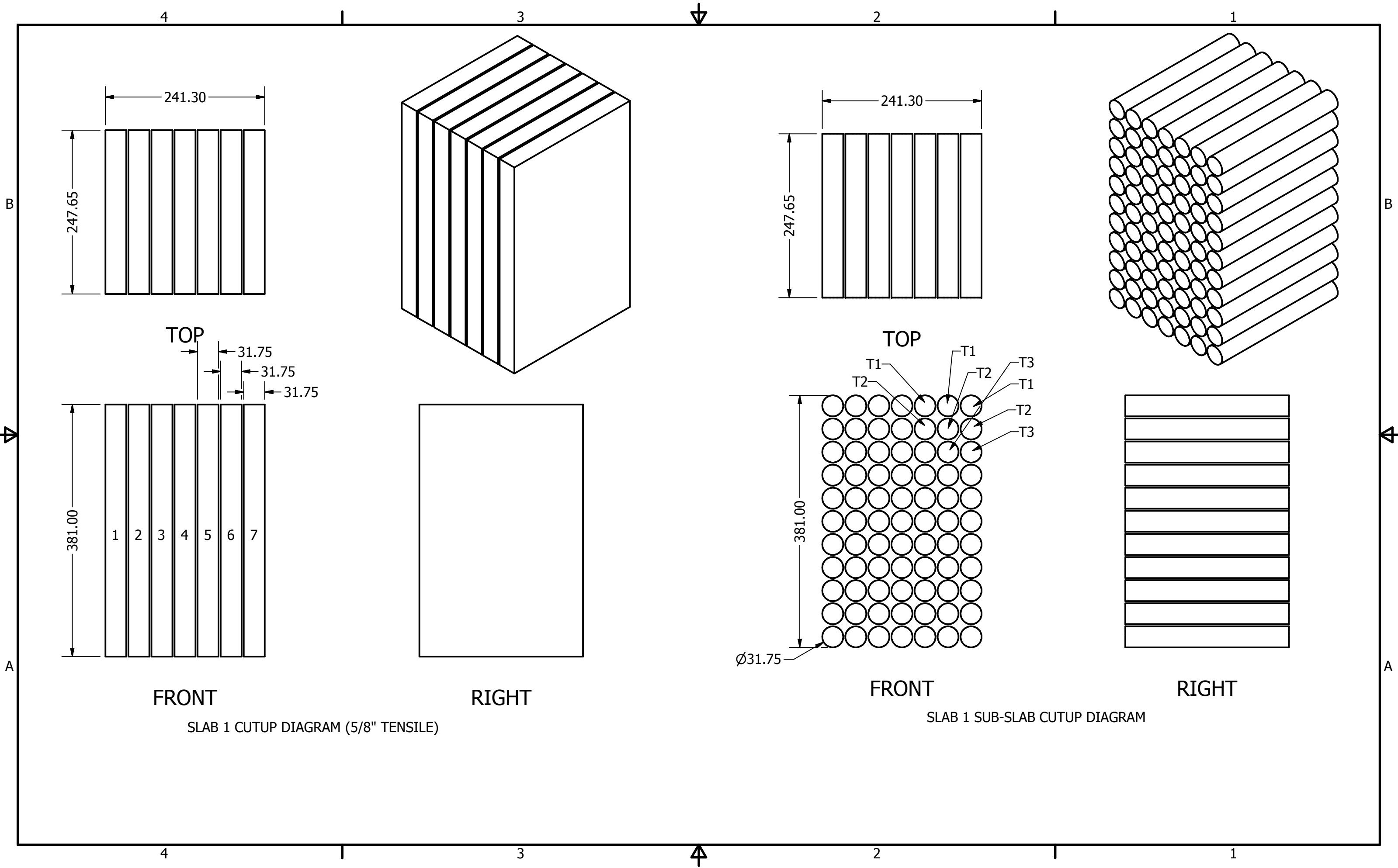
FRONT



RIGHT



WHOLE BILLET SLABS ISO



FRONT

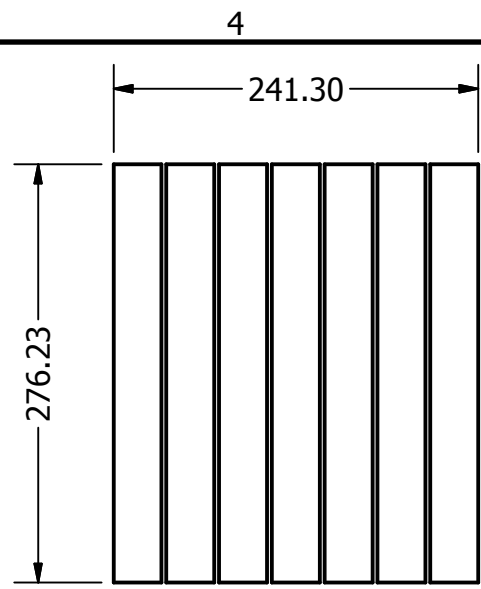
SLAB 1 CUTUP DIAGRAM (5/8" TENSILE)

RIGHT

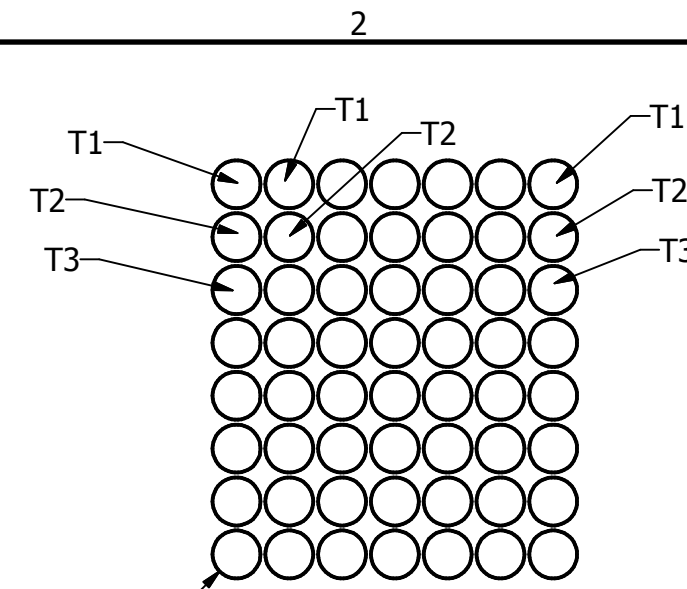
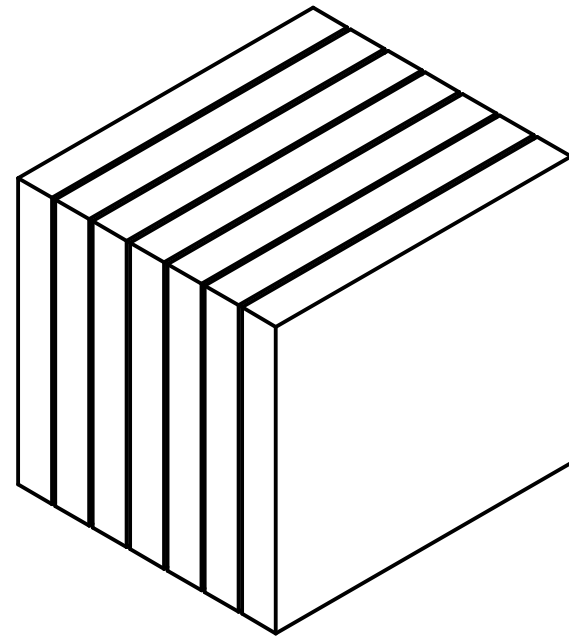
FRONT

SLAB 1 SUB-SLAB CUTUP DIAGRAM

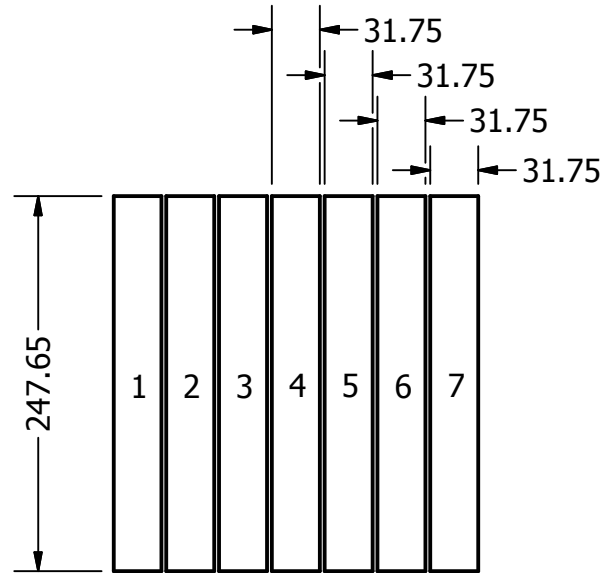
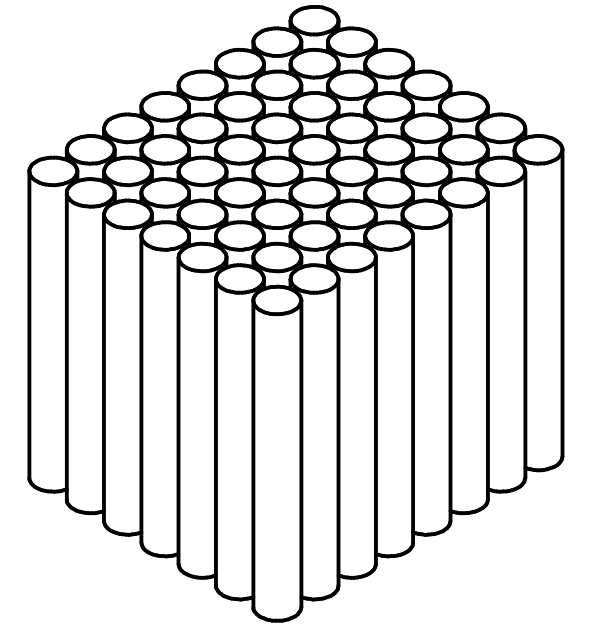
RIGHT



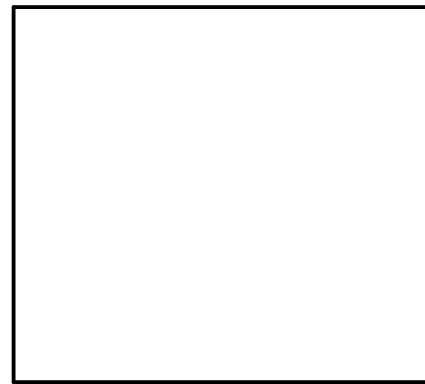
TOP



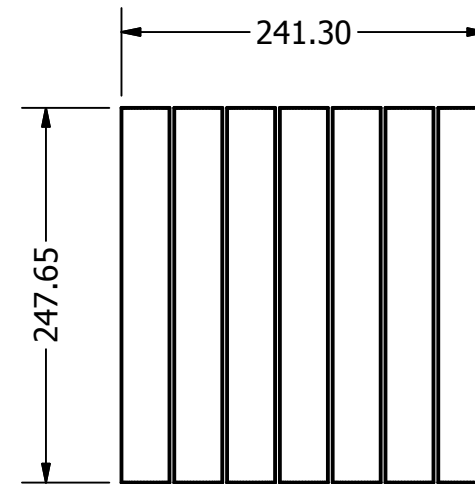
TOP



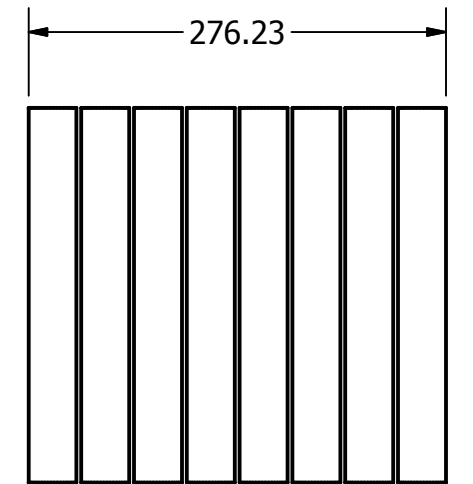
FRONT



RIGHT



FRONT



RIGHT

SLAB 2 CUTUP DIAGRAM (5/8" TENSILE)

SLAB 2 SUB-SLAB CUTUP DIAGRAM

4

3

2

1

4

3

2

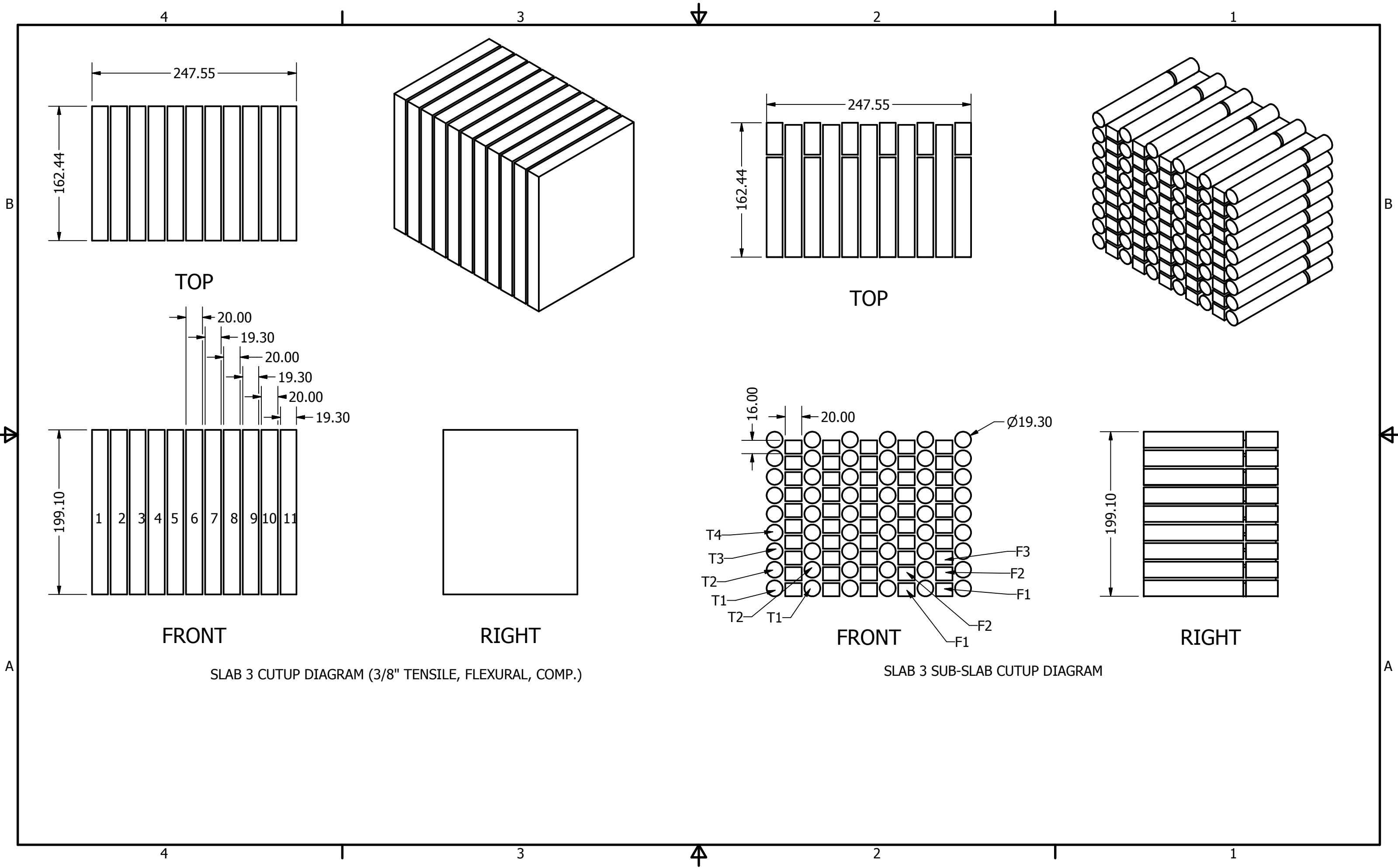
1

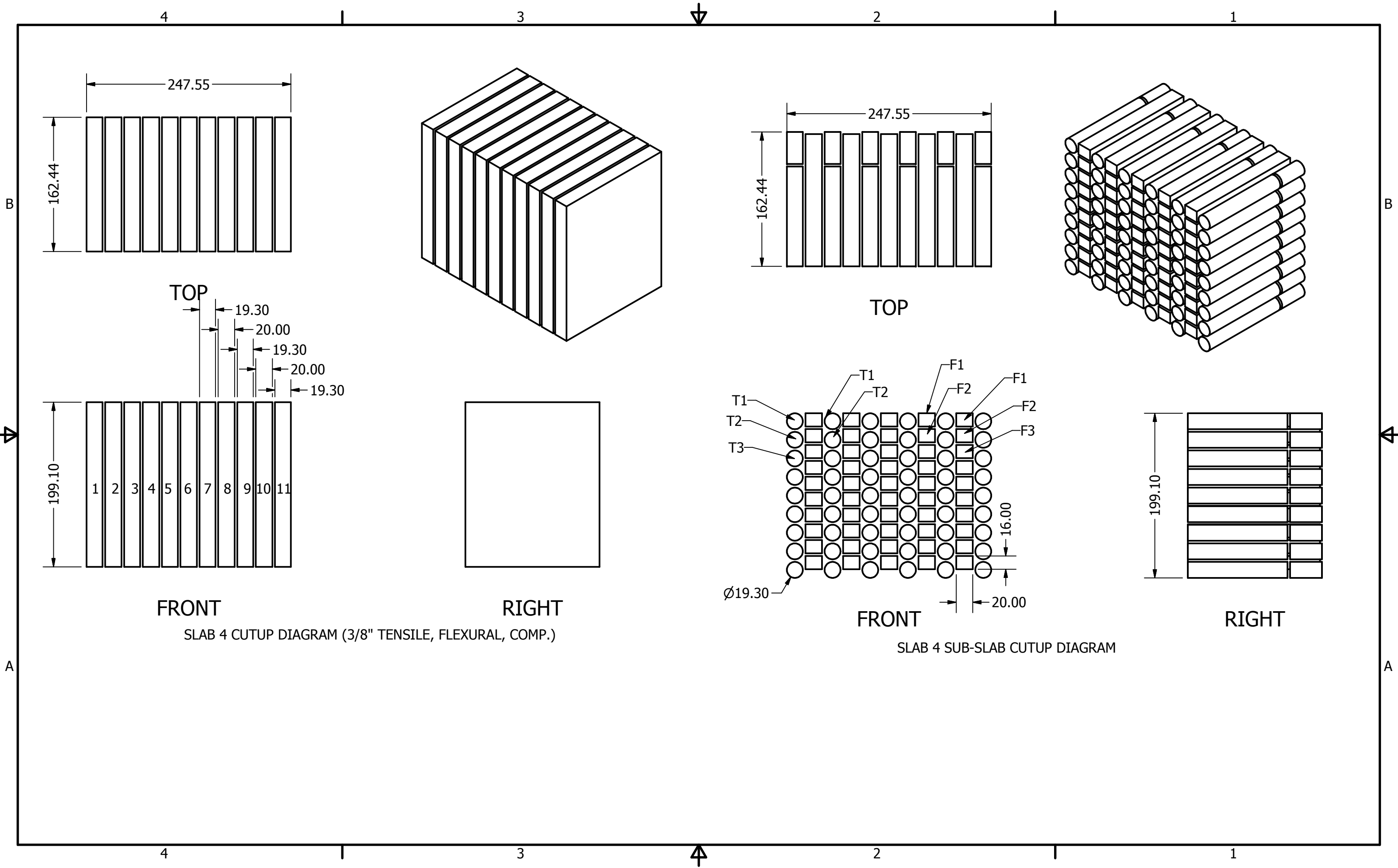
B

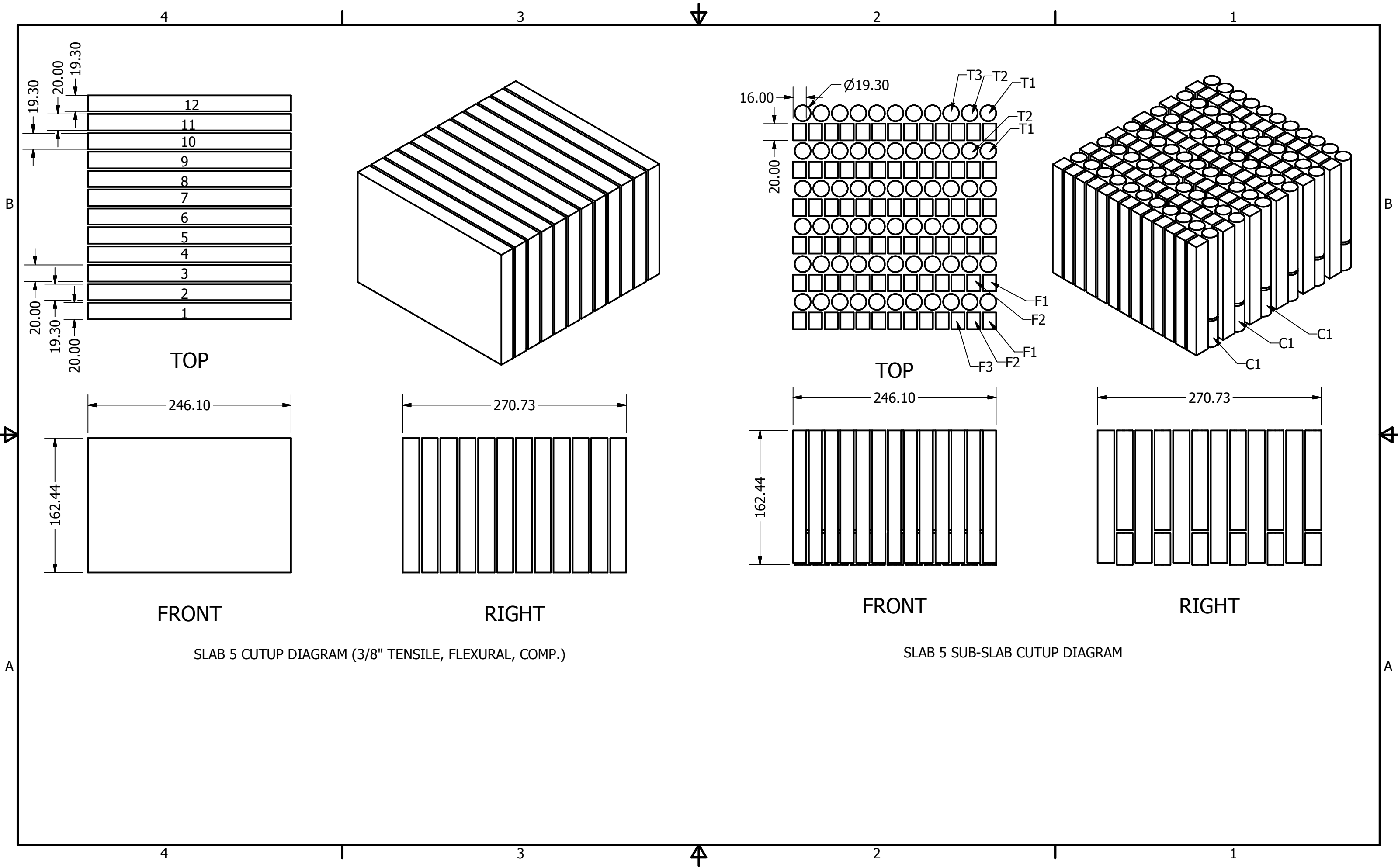
B

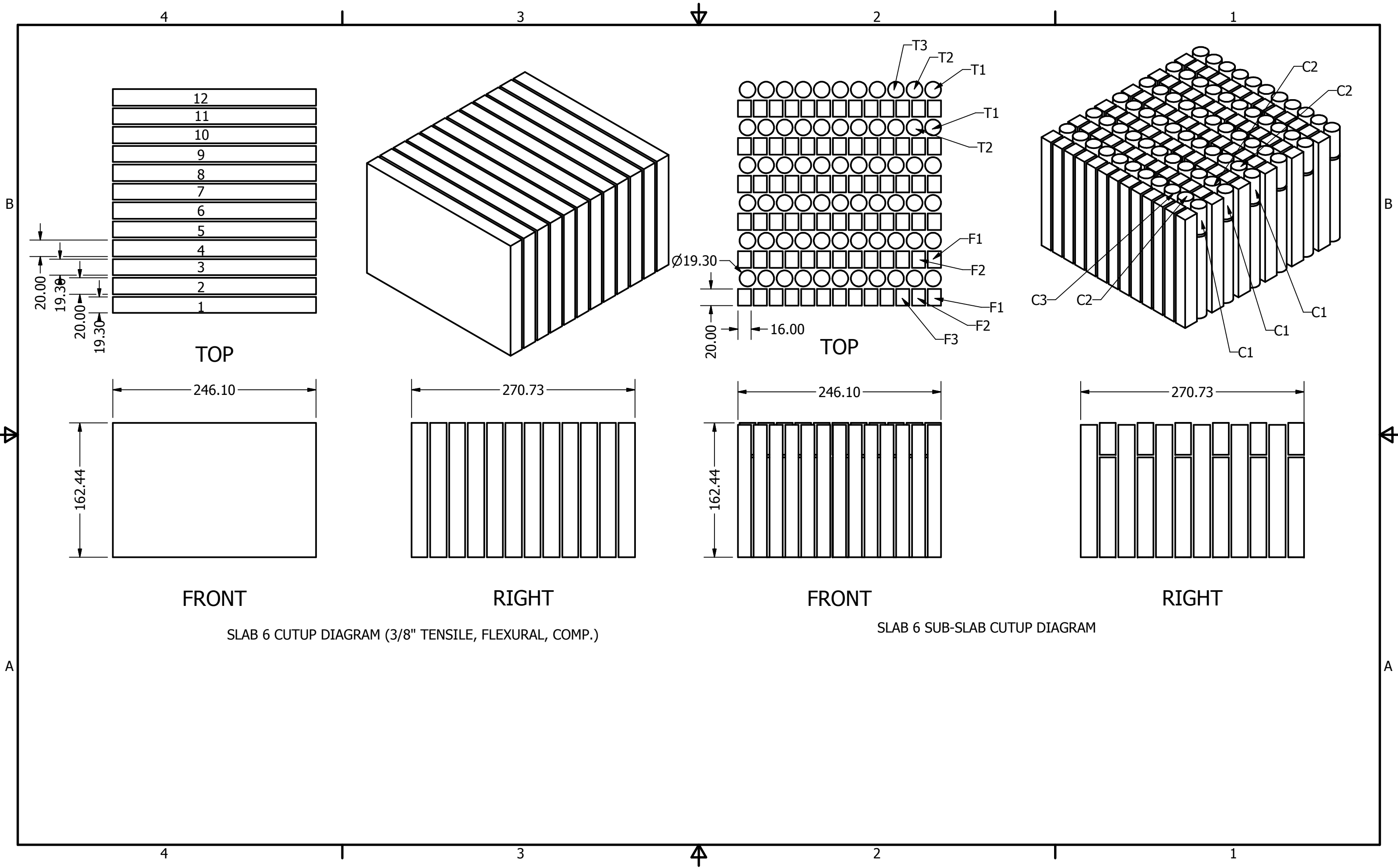
A

A









TOP

FRONT

RIGHT

SLAB 6 CUTUP DIAGRAM (3/8" TENSILE, FLEXURAL, COMP.)

TOP

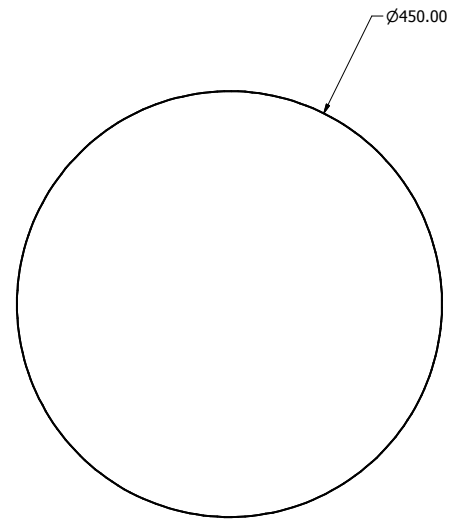
FRONT

RIGHT

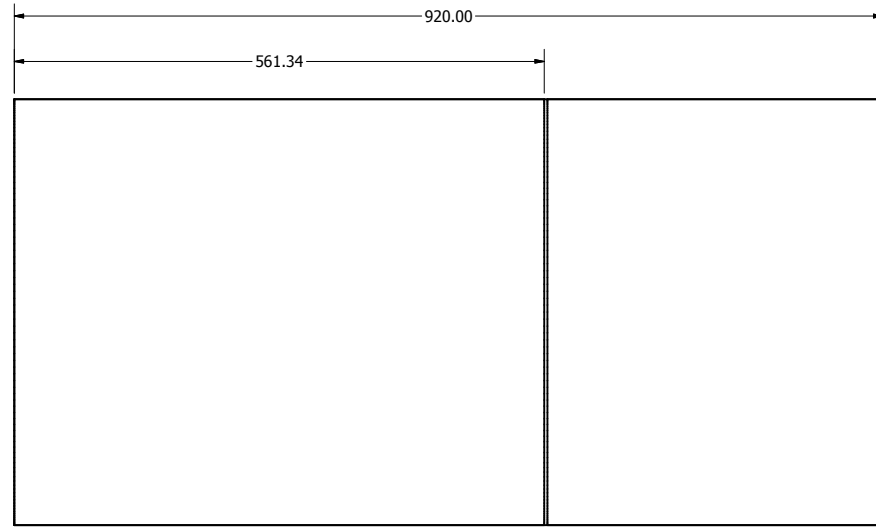
SLAB 6 SUB-SLAB CUTUP DIAGRAM

Appendix 7. PCEA Billet Cutting Plans

CUT BILLET INTO TWO PIECES (TOP AND BOTTOM)

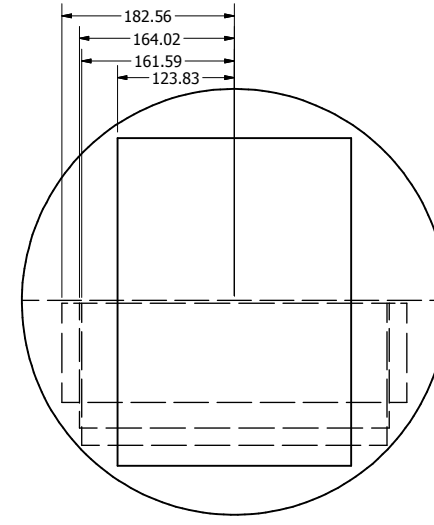


TOP

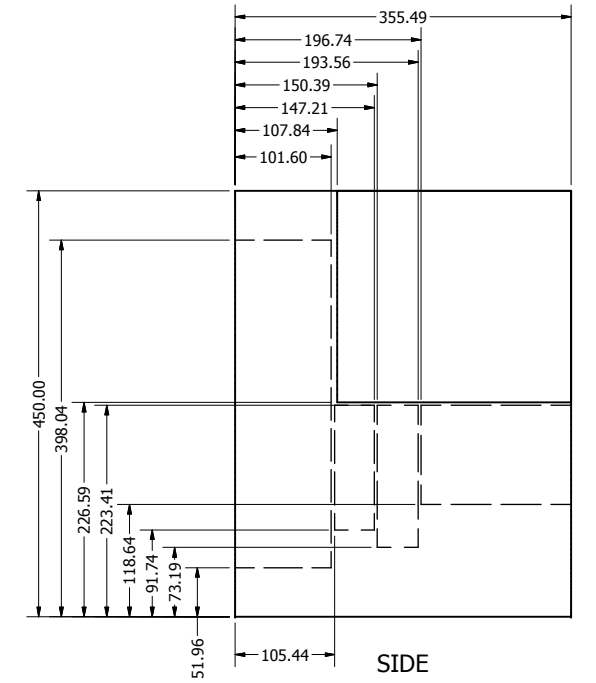


SIDE

BILLET BOTTOM SLABBING DIAGRAM

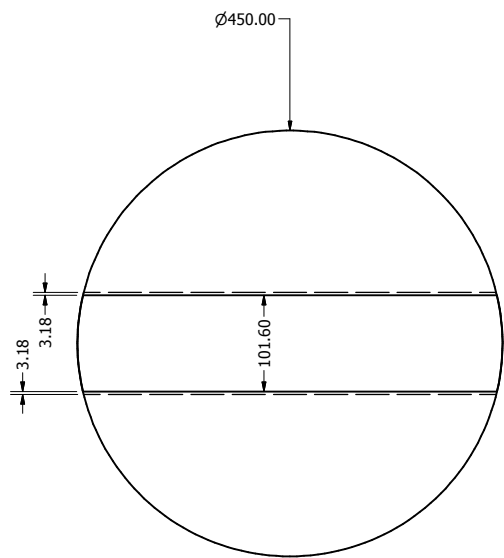


TOP

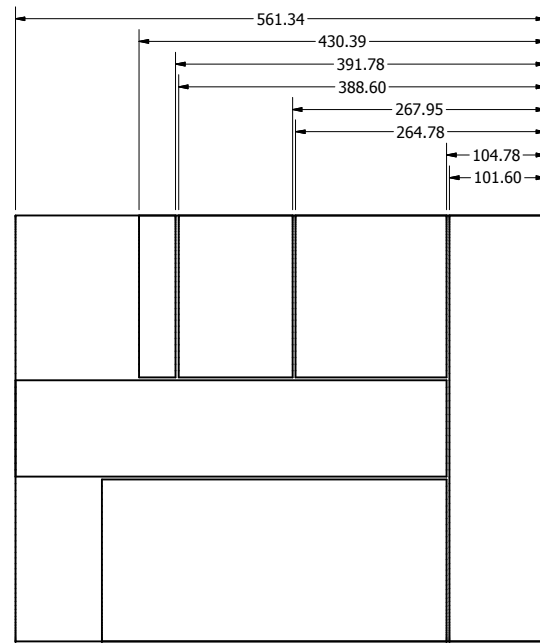


SIDE

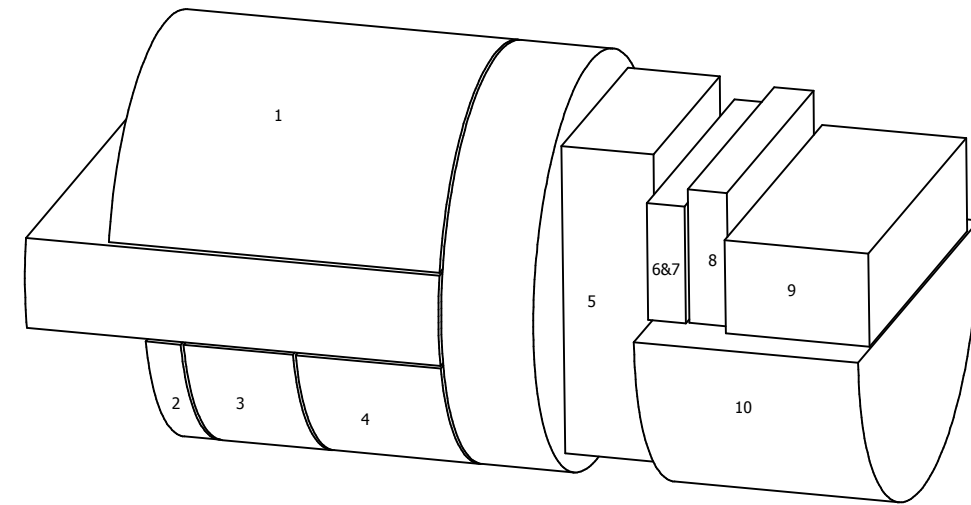
BILLET TOP SLABBING DIAGRAM



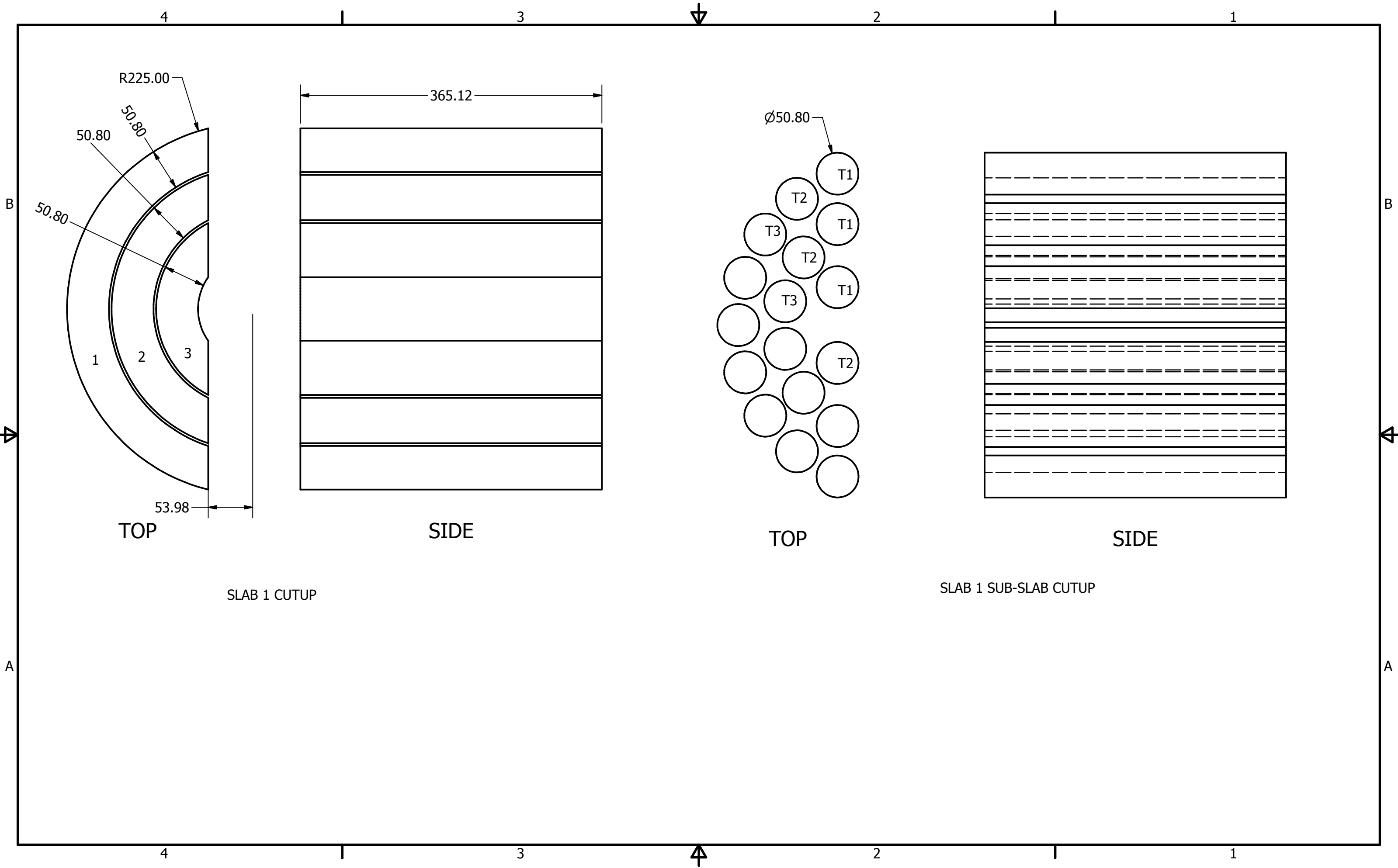
TOP

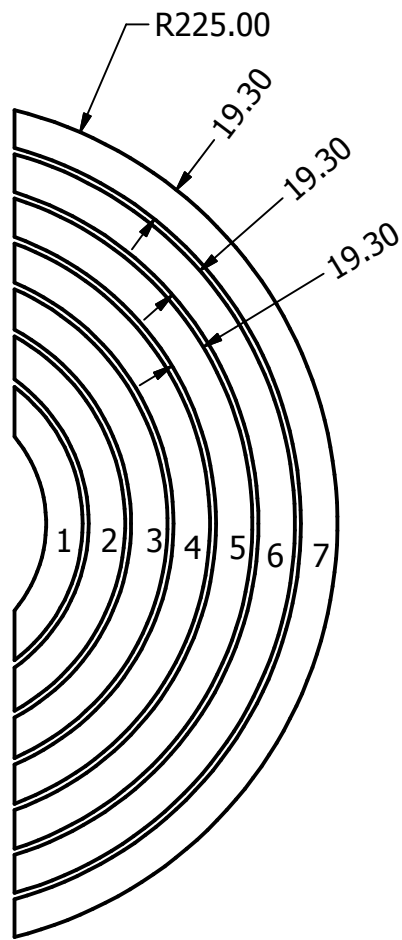


SIDE

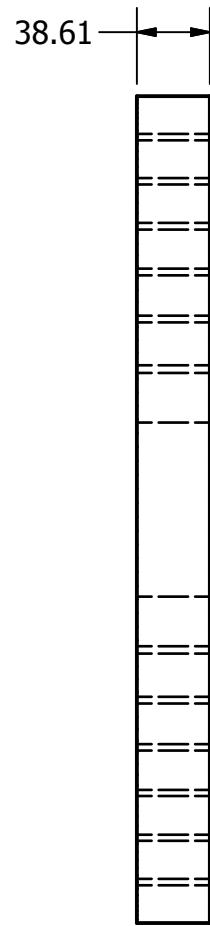


WHOLE BILLET ISO



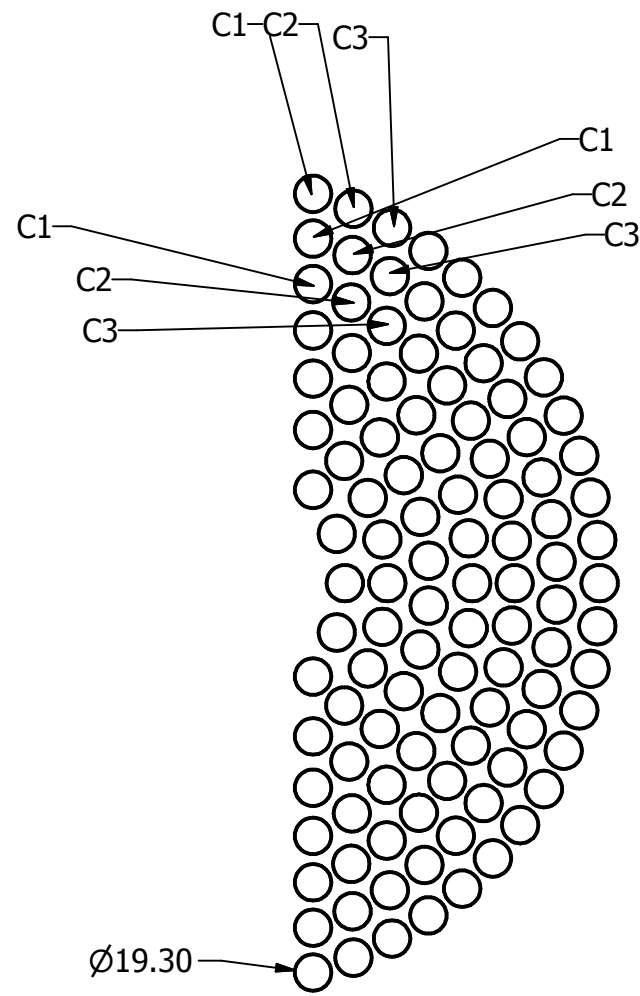


TOP



SIDE

SLAB 2 CUTUP DIAGRAM (COMPRESSIVE SAMPLES)



TOP



SIDE

SLAB 2 SUB-SLAB CUTUP DIAGRAM

4

3

2

1

B

B

A

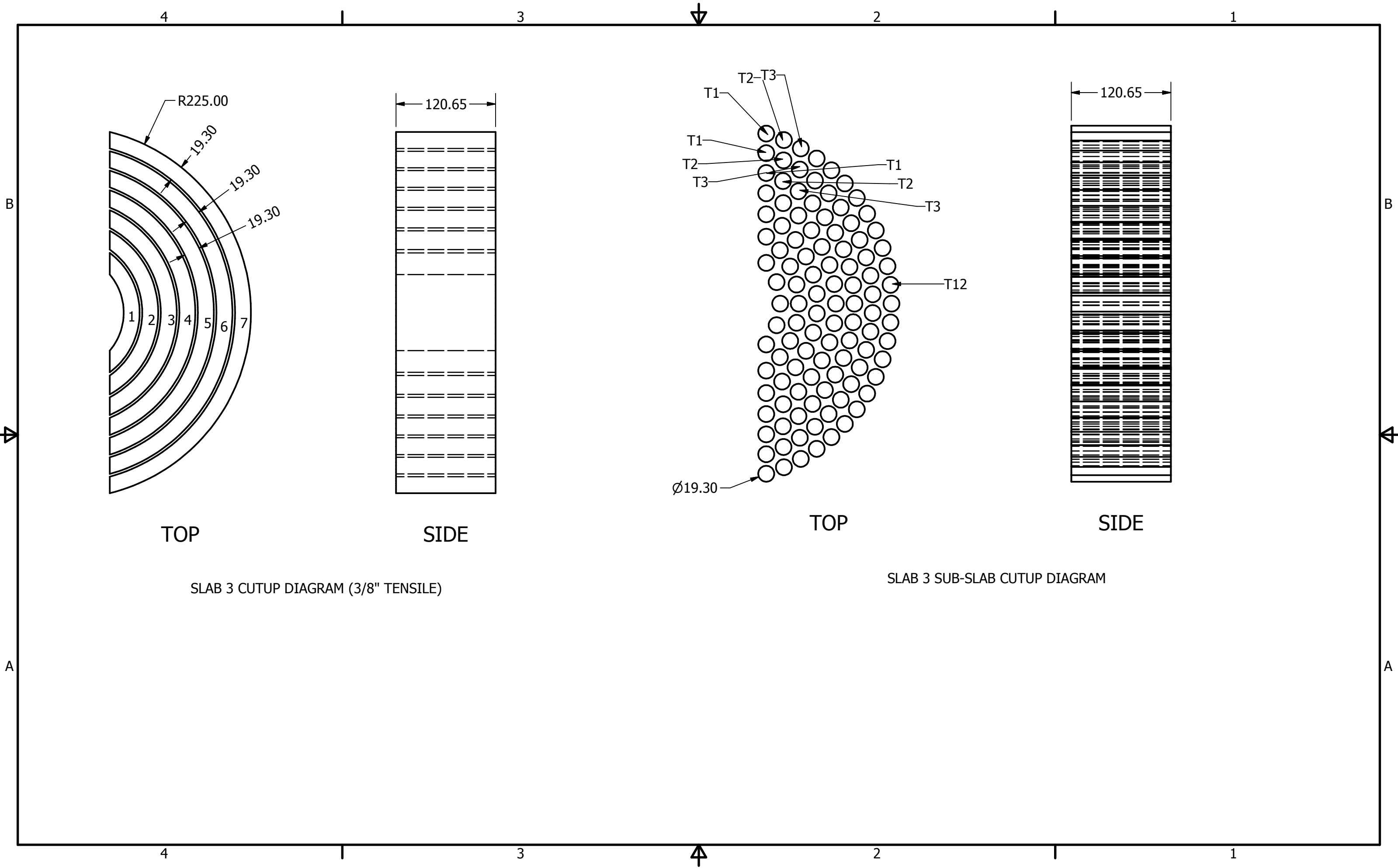
A

4

3

2

1



TOP

SIDE

SLAB 3 CUTUP DIAGRAM (3/8" TENSILE)

TOP

SIDE

SLAB 3 SUB-SLAB CUTUP DIAGRAM

4

3

2

1

B

B

A

A

4

3

2

1

R225.00

19.30

19.30

19.30

1

2

3

4

5

6

7

120.65

120.65

Ø19.30

T1

T2-T3

T1

T2

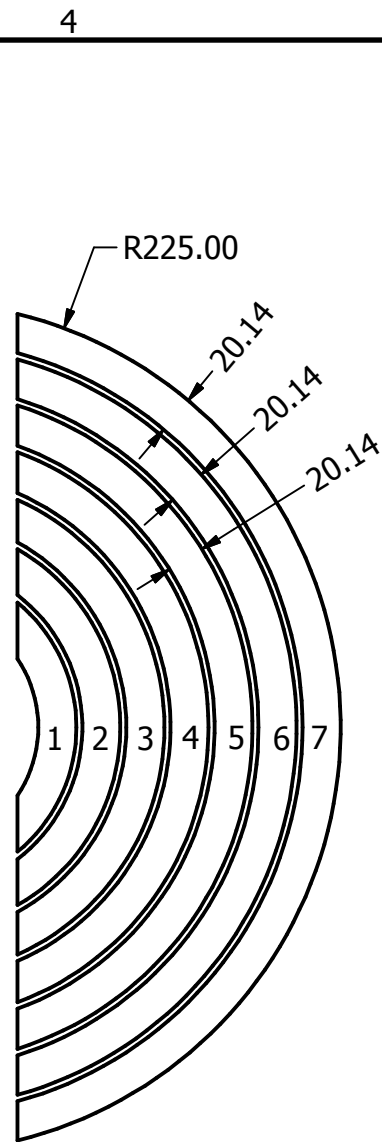
T3

T1

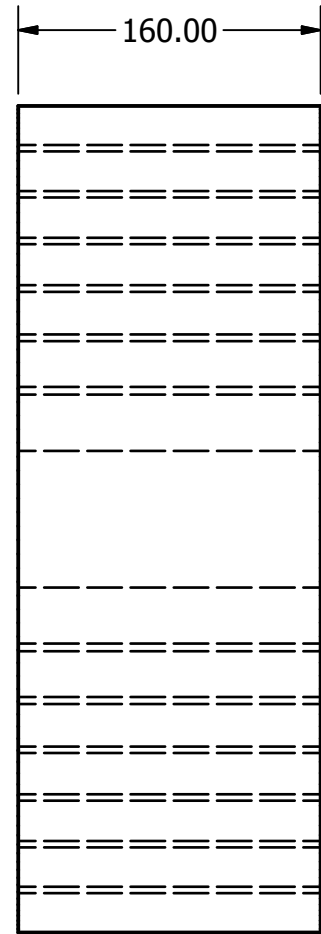
T2

T3

T12

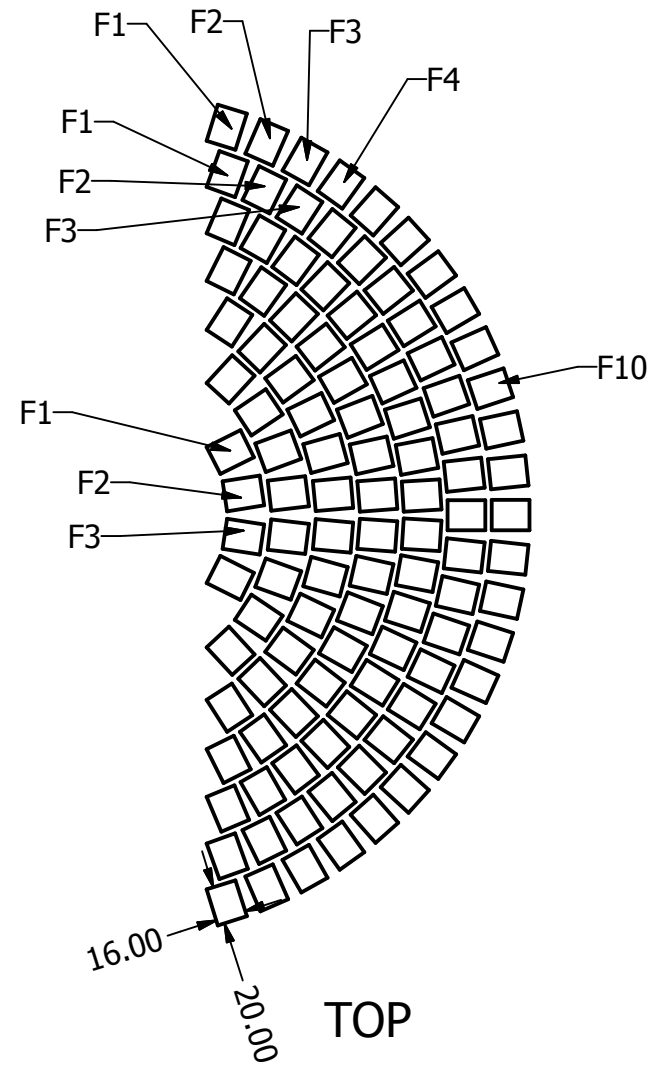


TOP

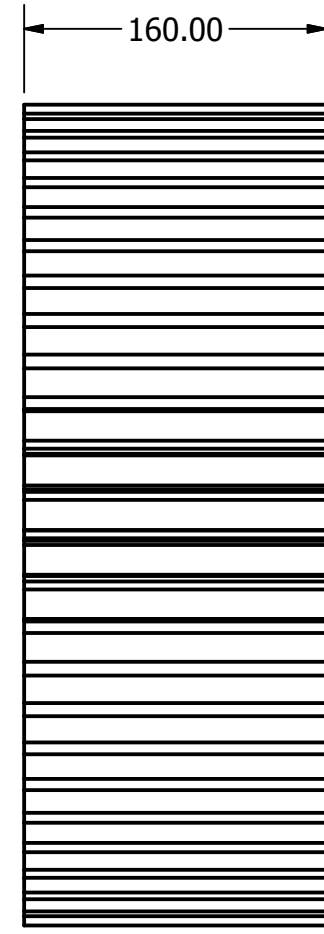


SIDE

SLAB 4 CUTUP DIAGRAM (FLEXURAL)

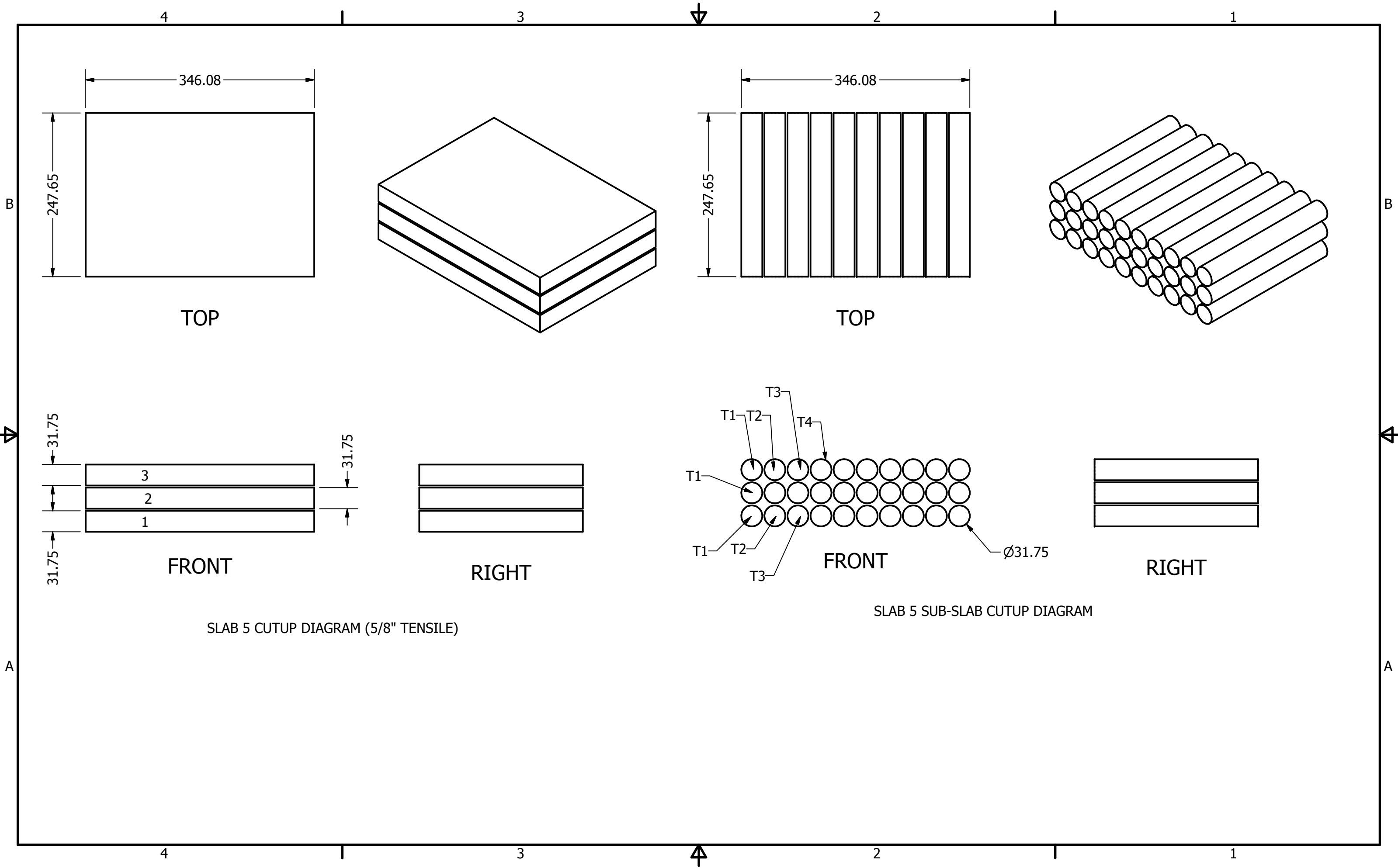


TOP



SIDE

SLAB 4 SUB-SLAB CUTUP



TOP

TOP

FRONT

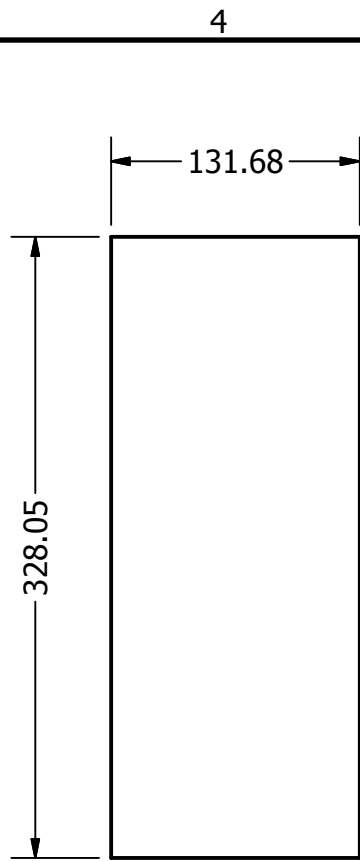
RIGHT

FRONT

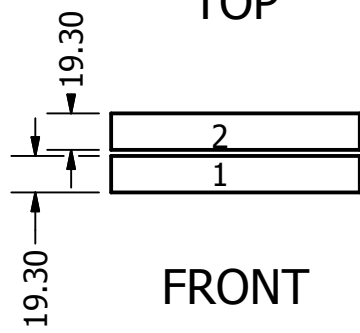
RIGHT

SLAB 5 CUTUP DIAGRAM (5/8" TENSILE)

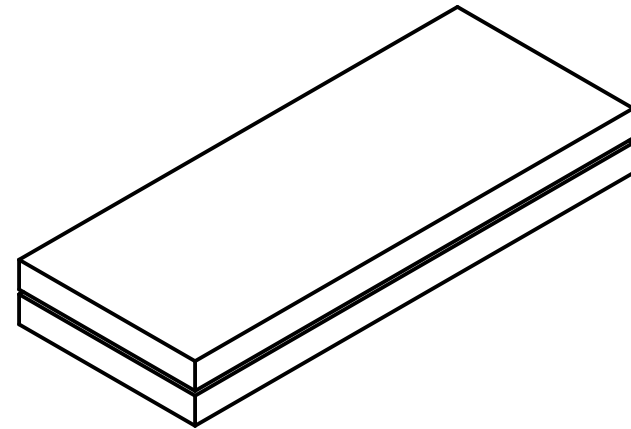
SLAB 5 SUB-SLAB CUTUP DIAGRAM



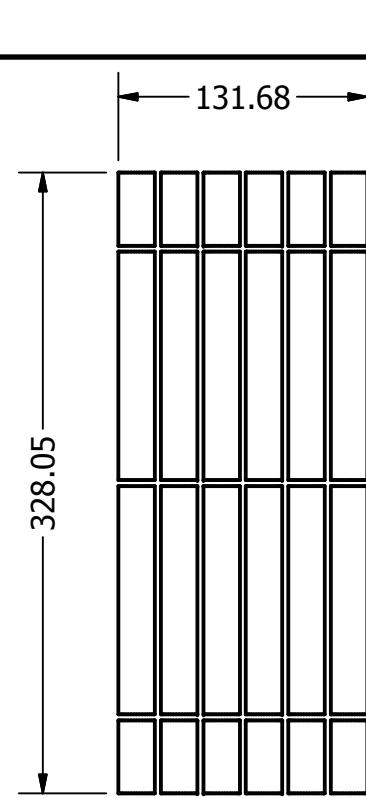
TOP



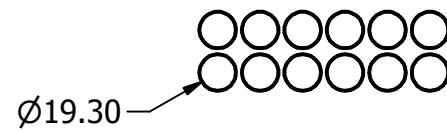
FRONT



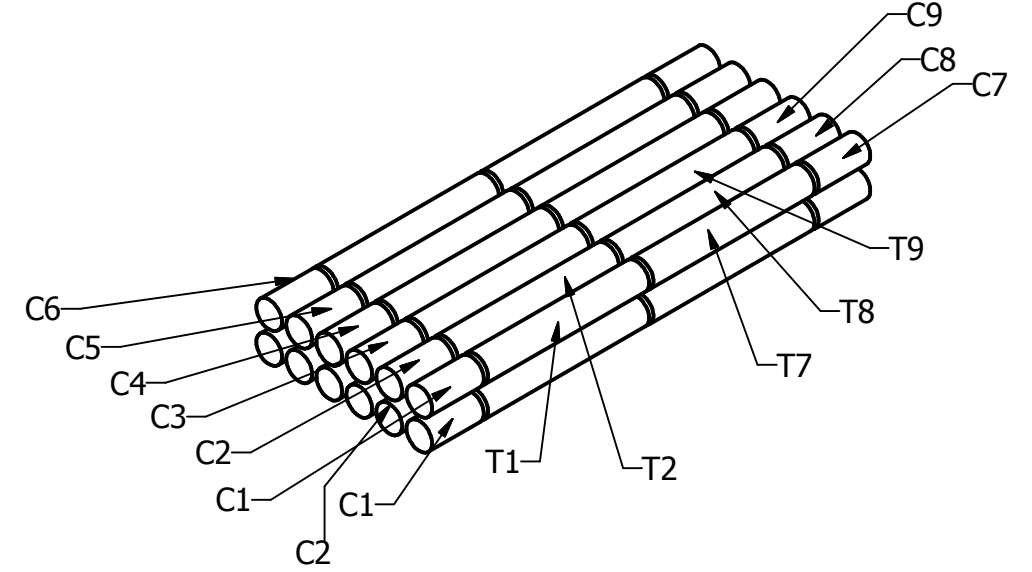
RIGHT



TOP



FRONT



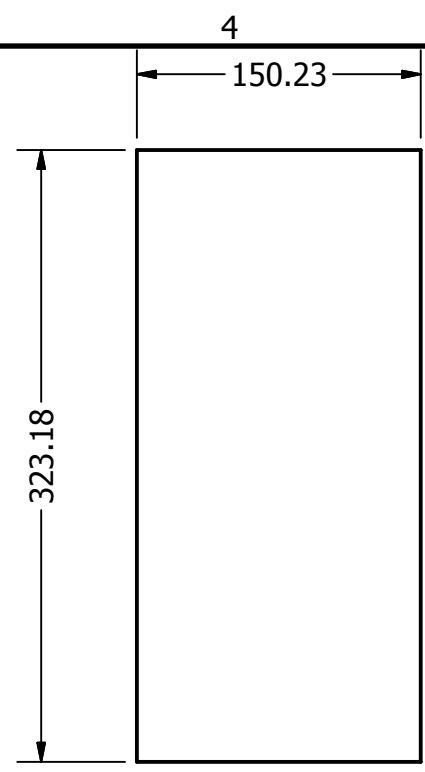
NAMING CONVENTION WRAPS AROUND EACH SUB-SLAB AS SHOWN ABOVE. THE CONVENTION REPEATS FOR SUB-SLAB 1.



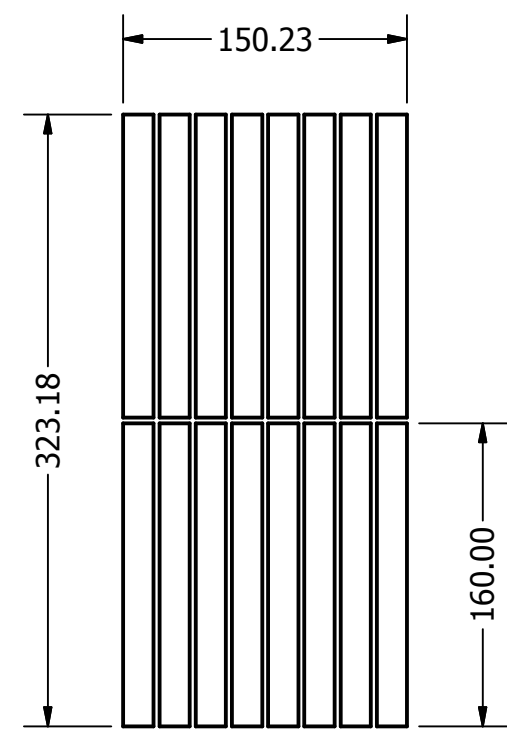
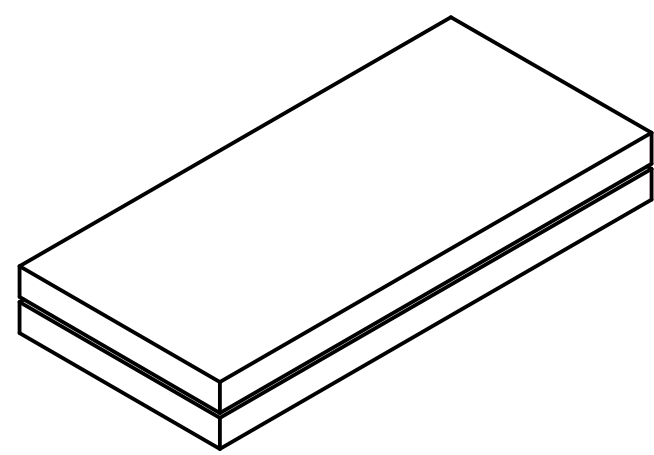
RIGHT

SLAB 6/7 CUTUP DIAGRAM (3/8" TENSILE AND COMPRESSIVE)

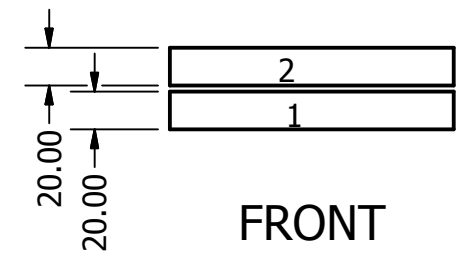
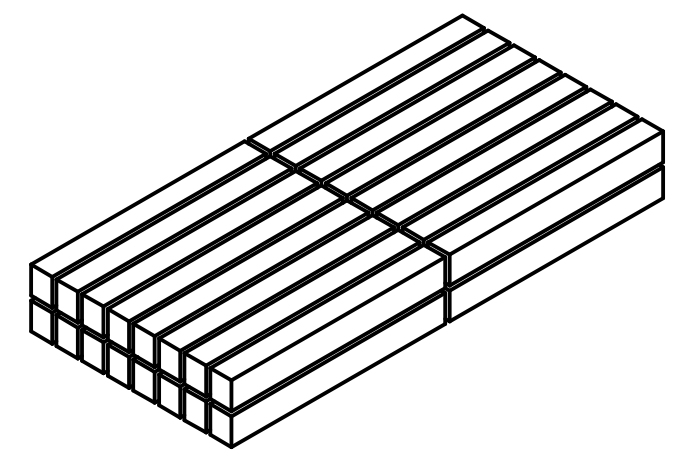
SLAB 6/7 SUB-SLAB DIAGRAM



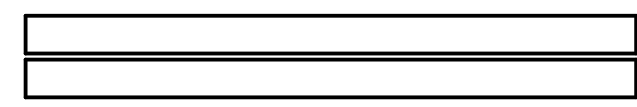
TOP



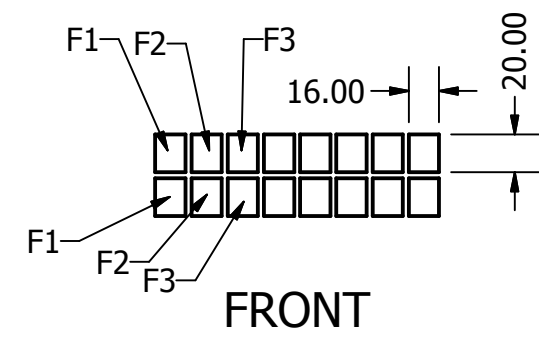
TOP



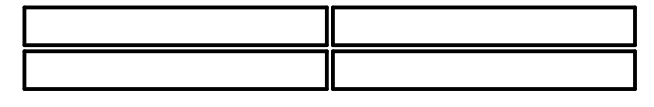
FRONT



RIGHT



FRONT



RIGHT

SLAB 8 CUTUP DIAGRAM (FLEXURAL)

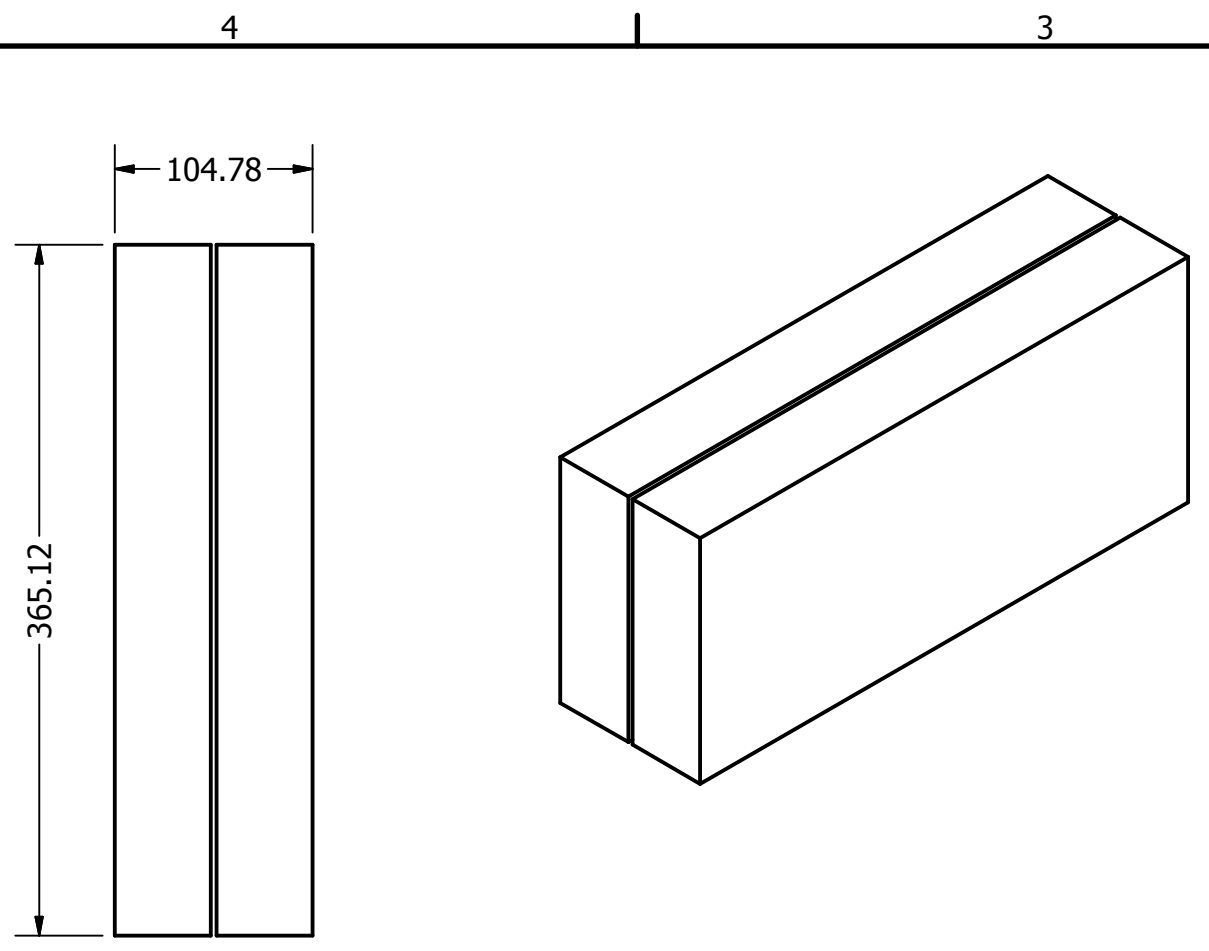
SLAB 8 SUB-SLAB CUTUP DIAGRAM

B

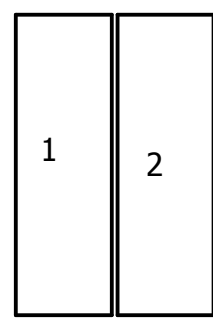
B

A

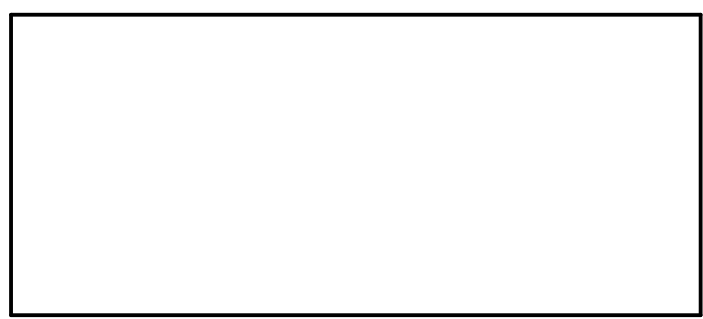
A



TOP

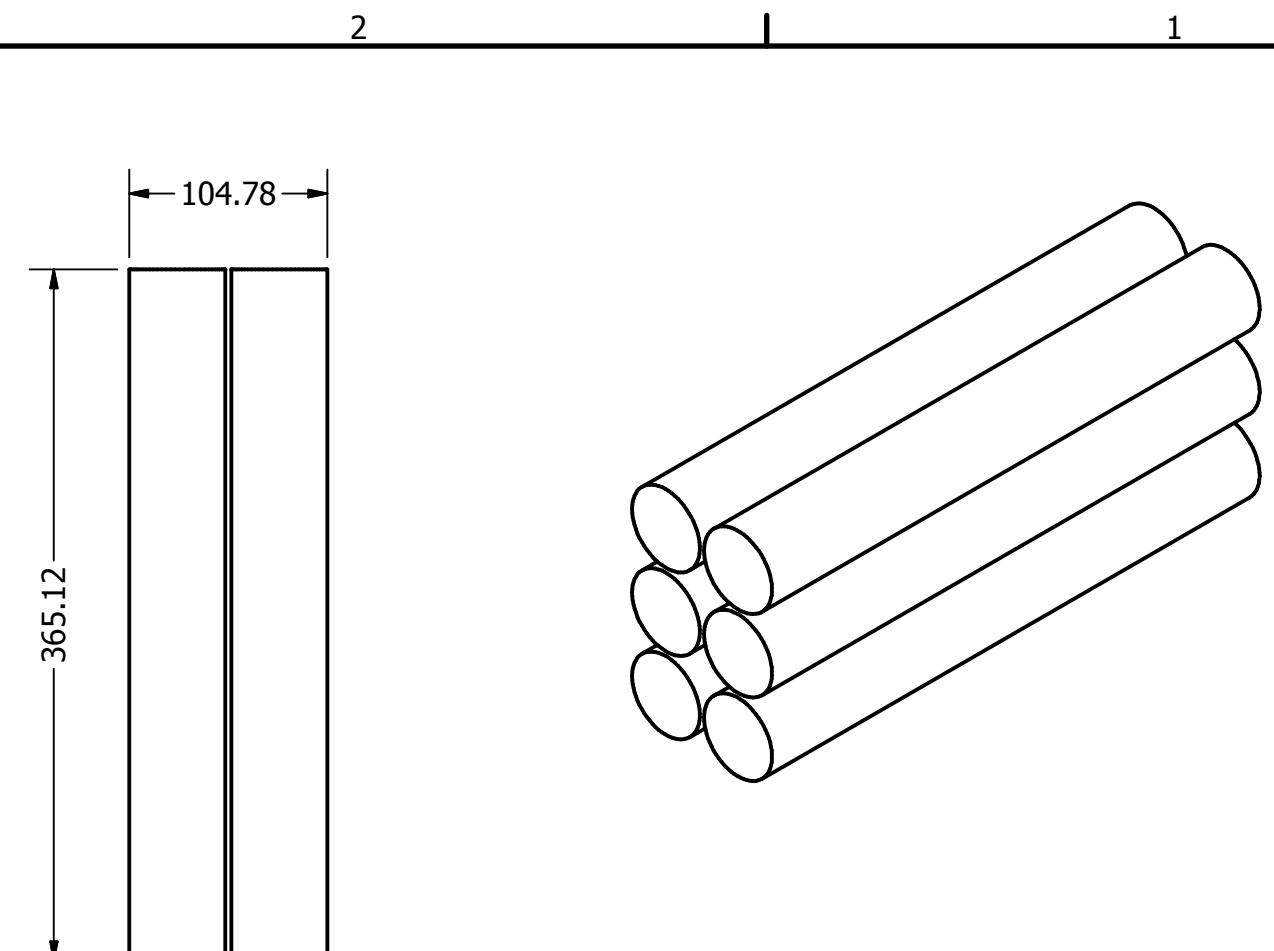


FRONT

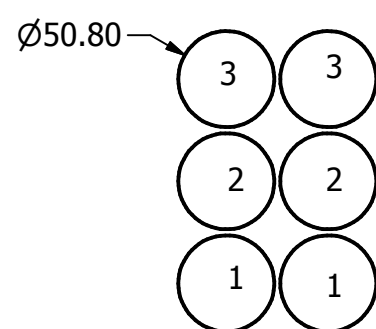


RIGHT

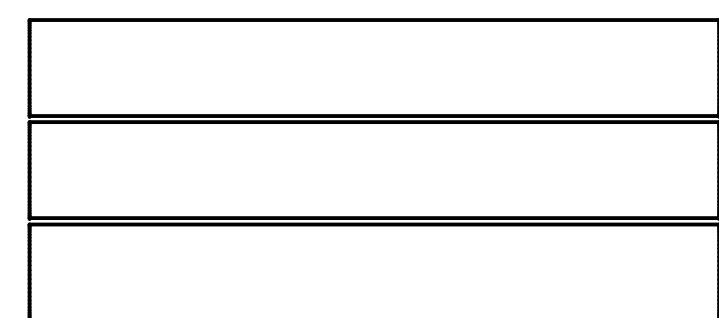
SLAB 9 CUTUP DIAGRAM (1" TENSILE)



TOP

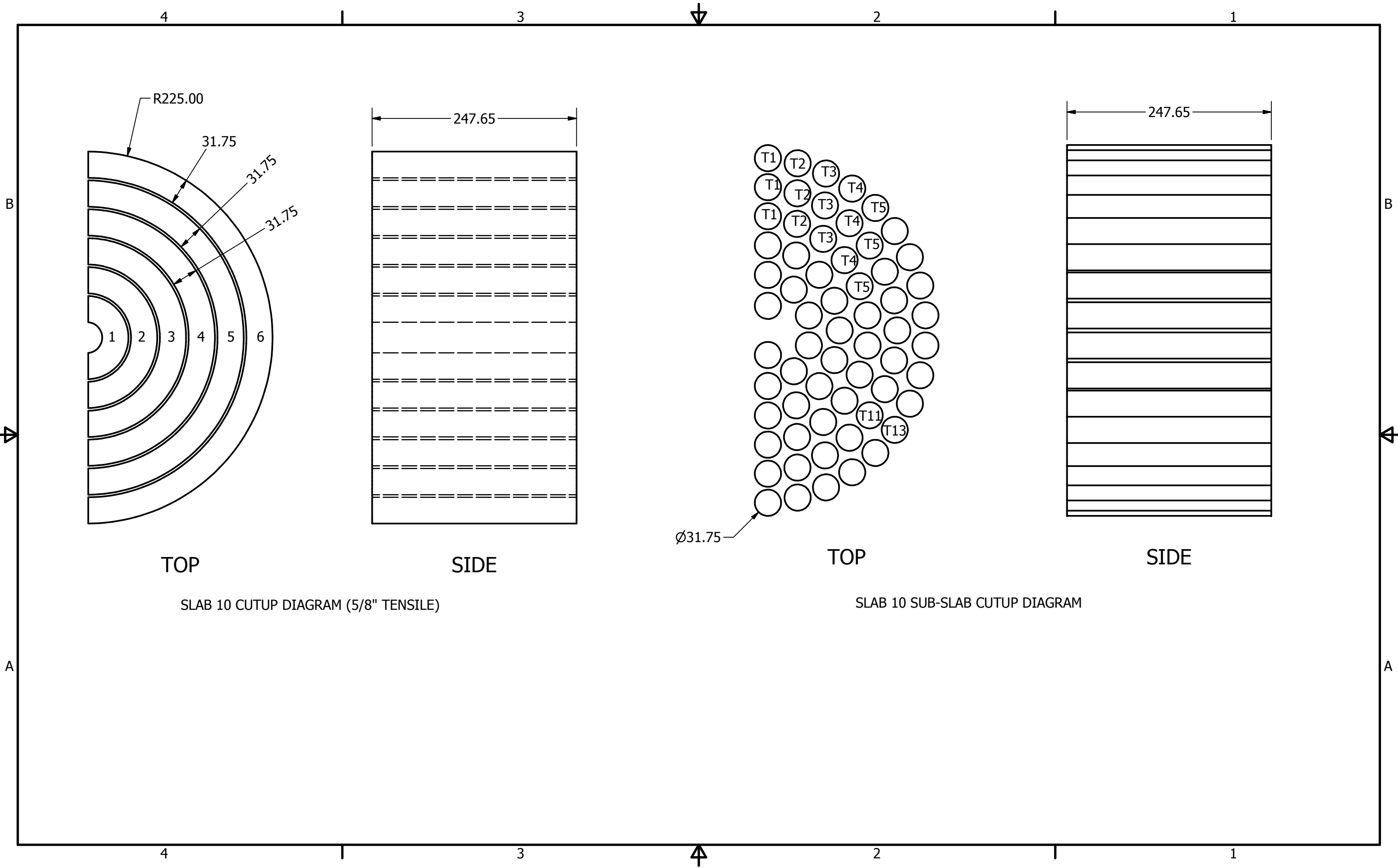


FRONT

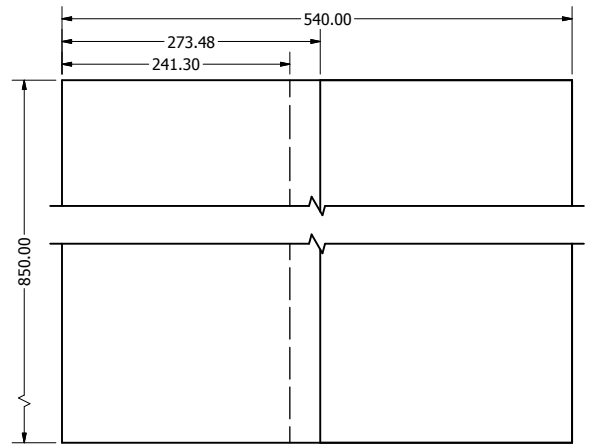


RIGHT

SLAB 9 SUB-SLAB DIAGRAM

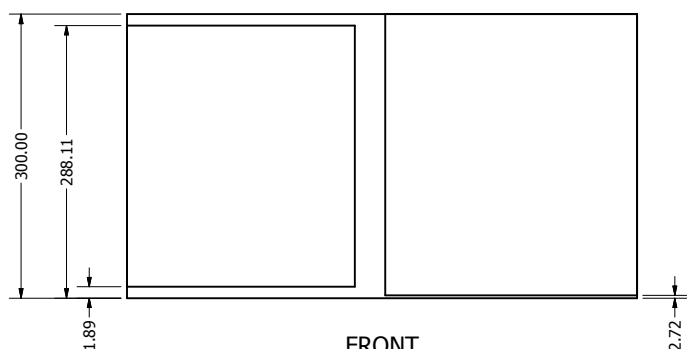


Appendix 8. IG-43 Billet Cutting Plans

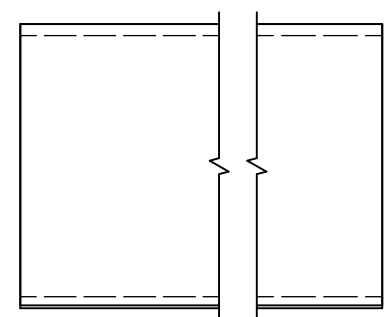


ALL DIMENSIONS IN mm
UNLESS OTHERWISE SPECIFIED, CUT ALLOWENCES ARE 0.125"
CUT BILLET TO SPECIFIED SIZE (300X540X850)
CUT OUT LEFT AND RIGHT SIDE SLABS AS DEPICTED

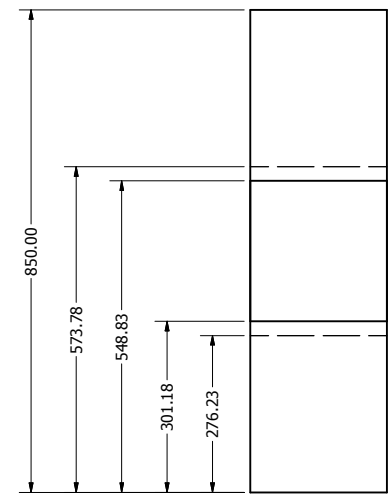
TOP



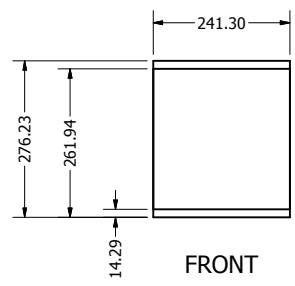
FRONT



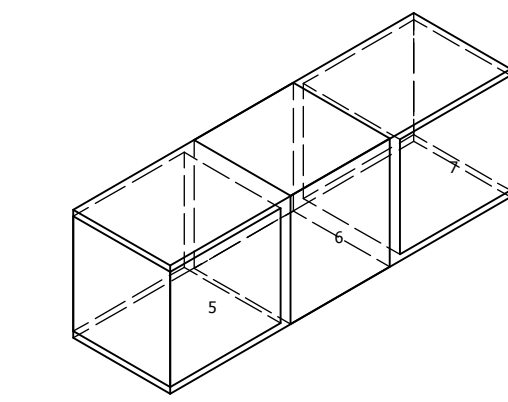
RIGHT



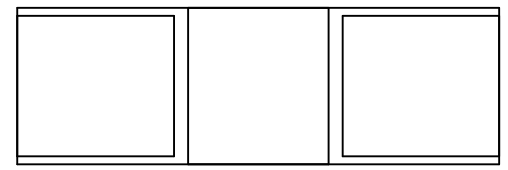
TOP



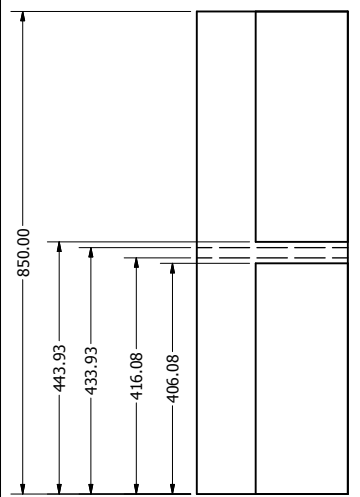
FRONT



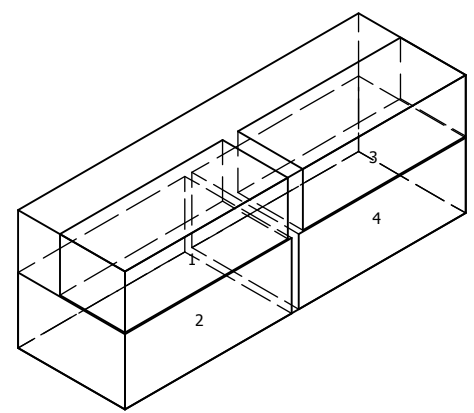
CUT LEFT SIDE SLAB INTO SLABS
5, 6, AND 7.



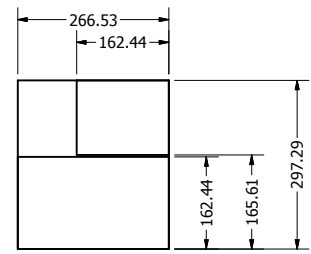
RIGHT



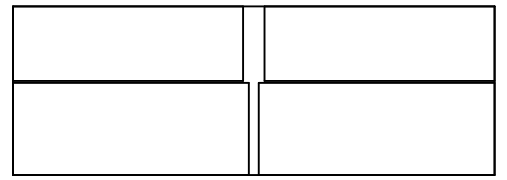
TOP



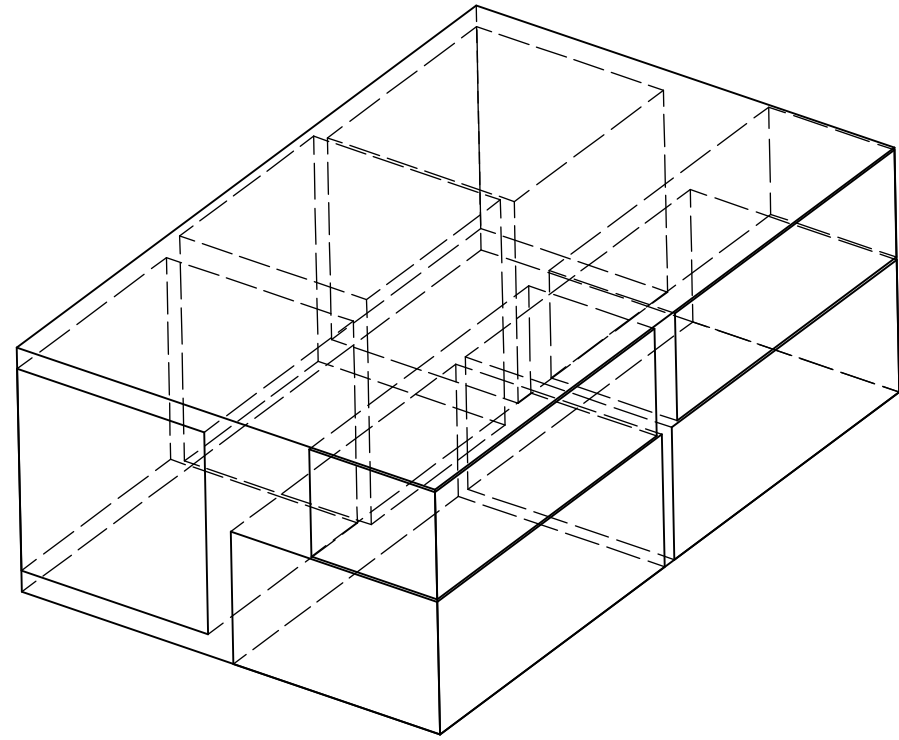
CUT THE RIGHT SIDE SLAB INTO
SLABS 1, 2, 3, AND 4.



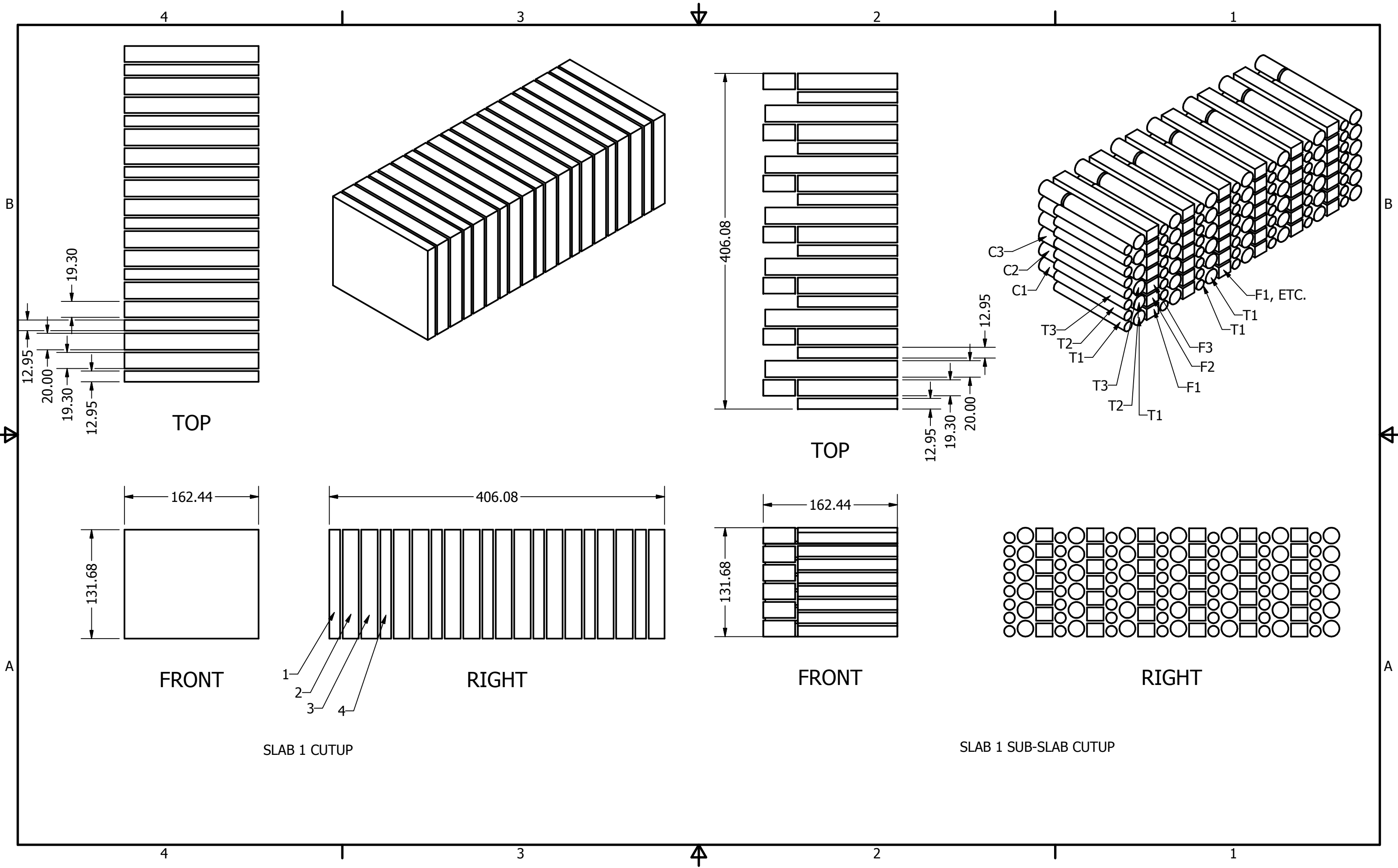
FRONT

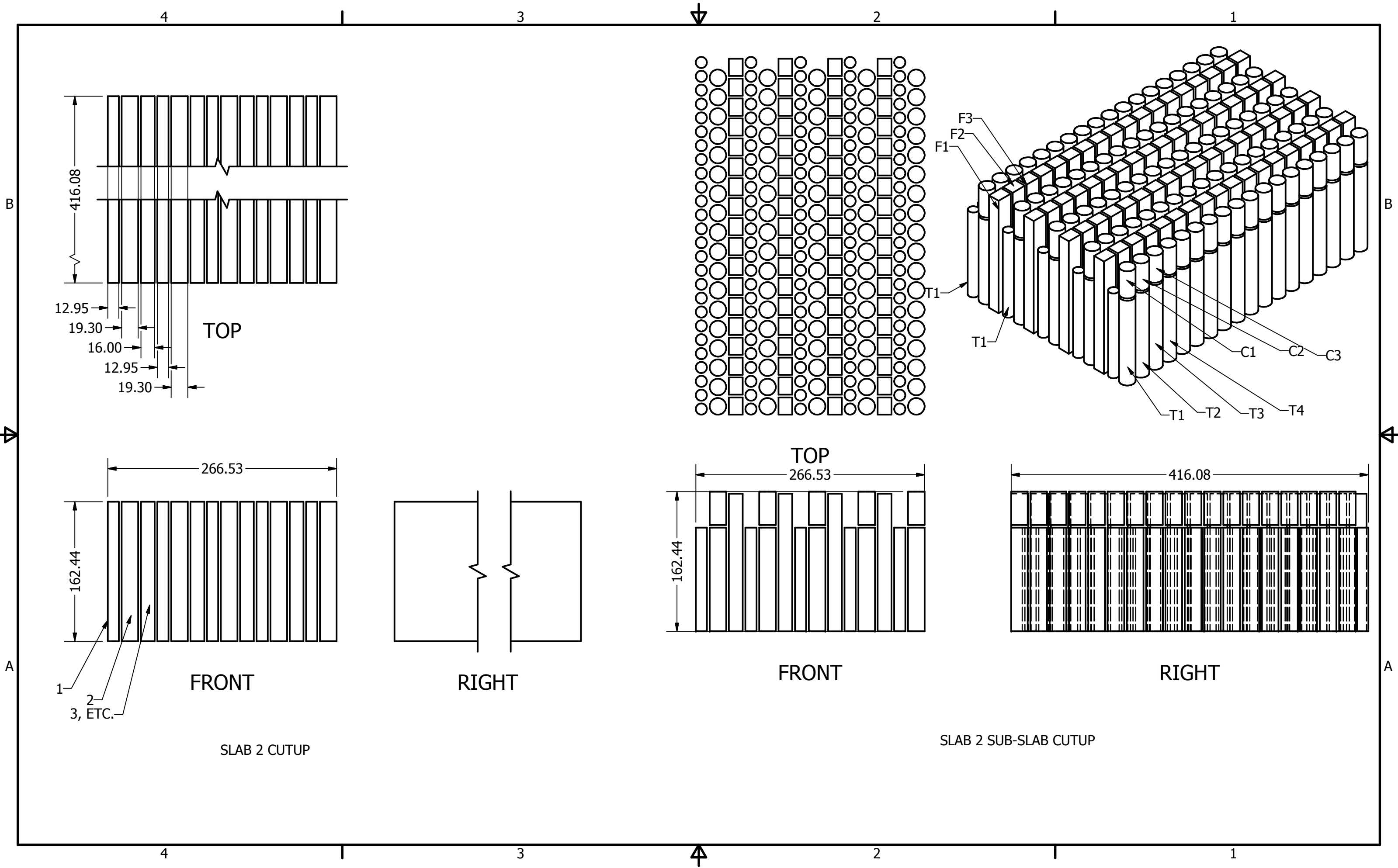


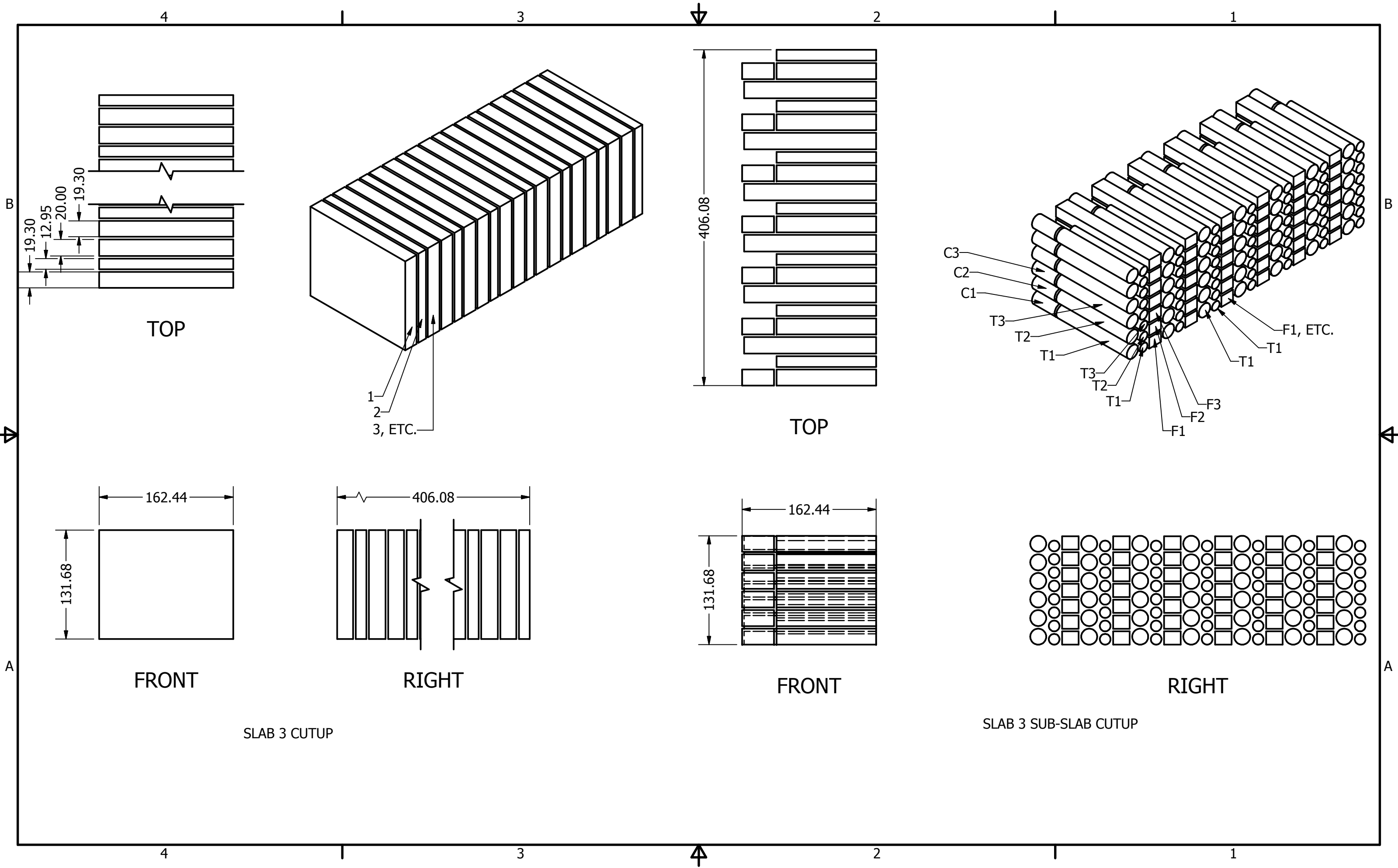
RIGHT

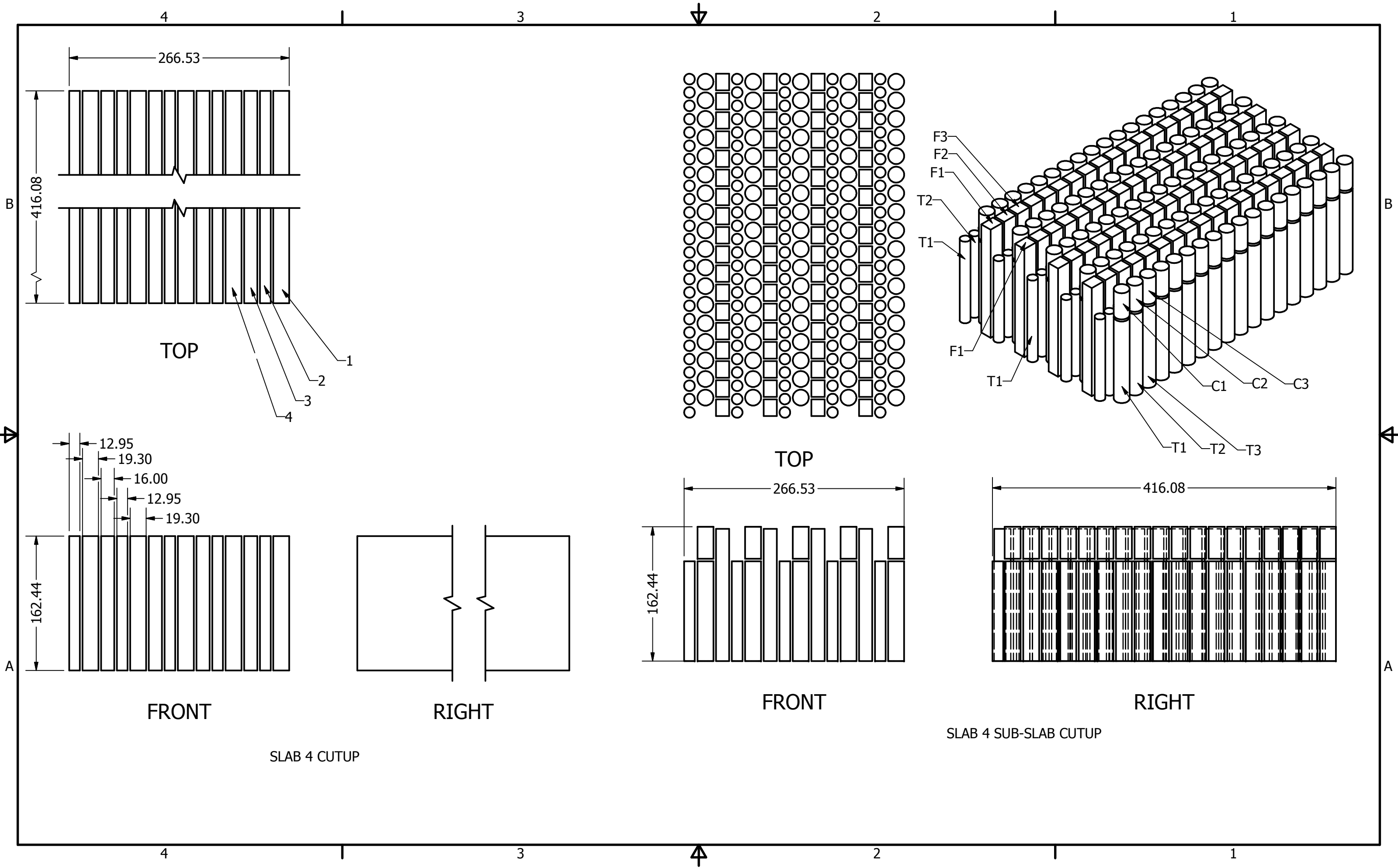


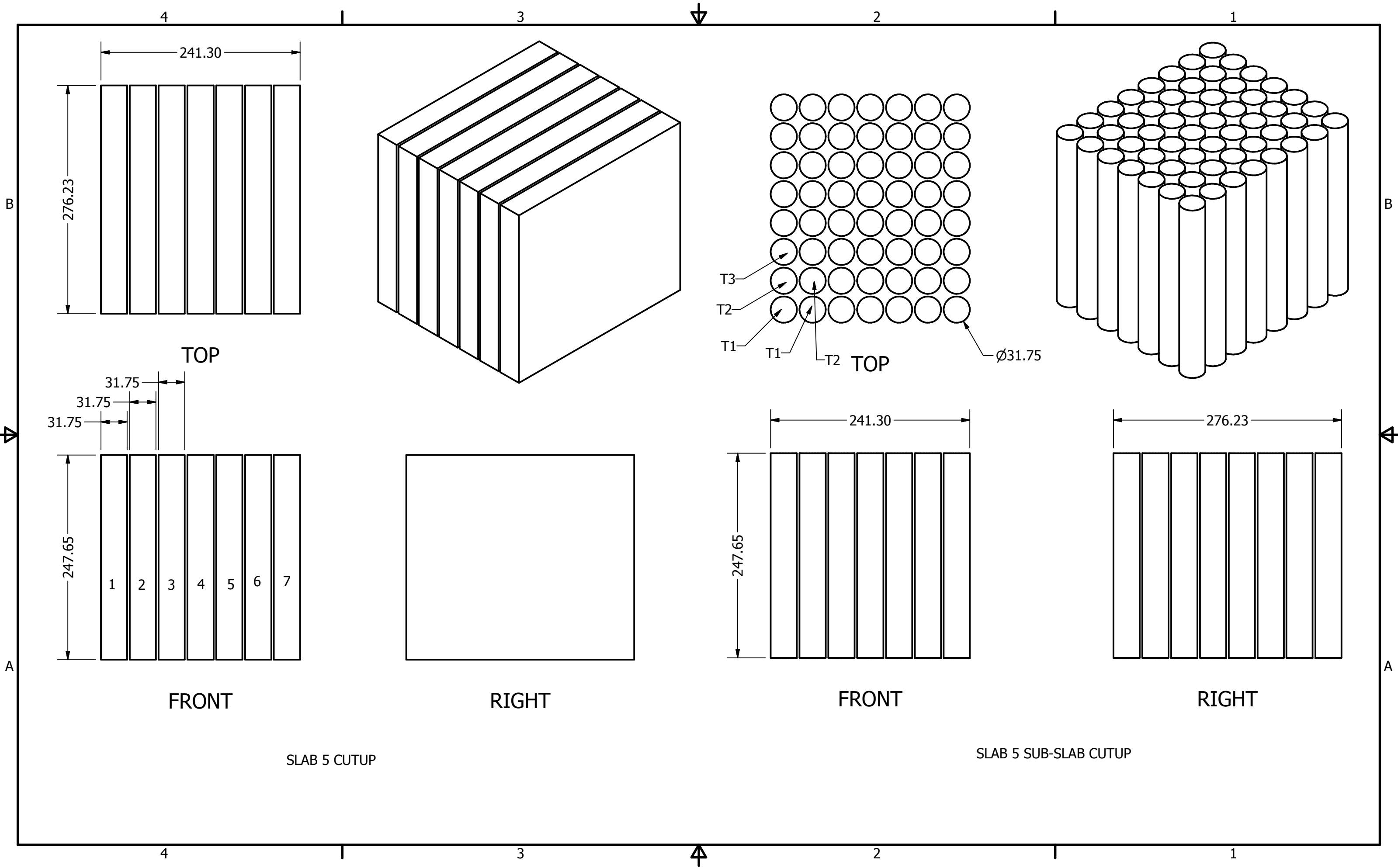
WHOLE BILLET ISO

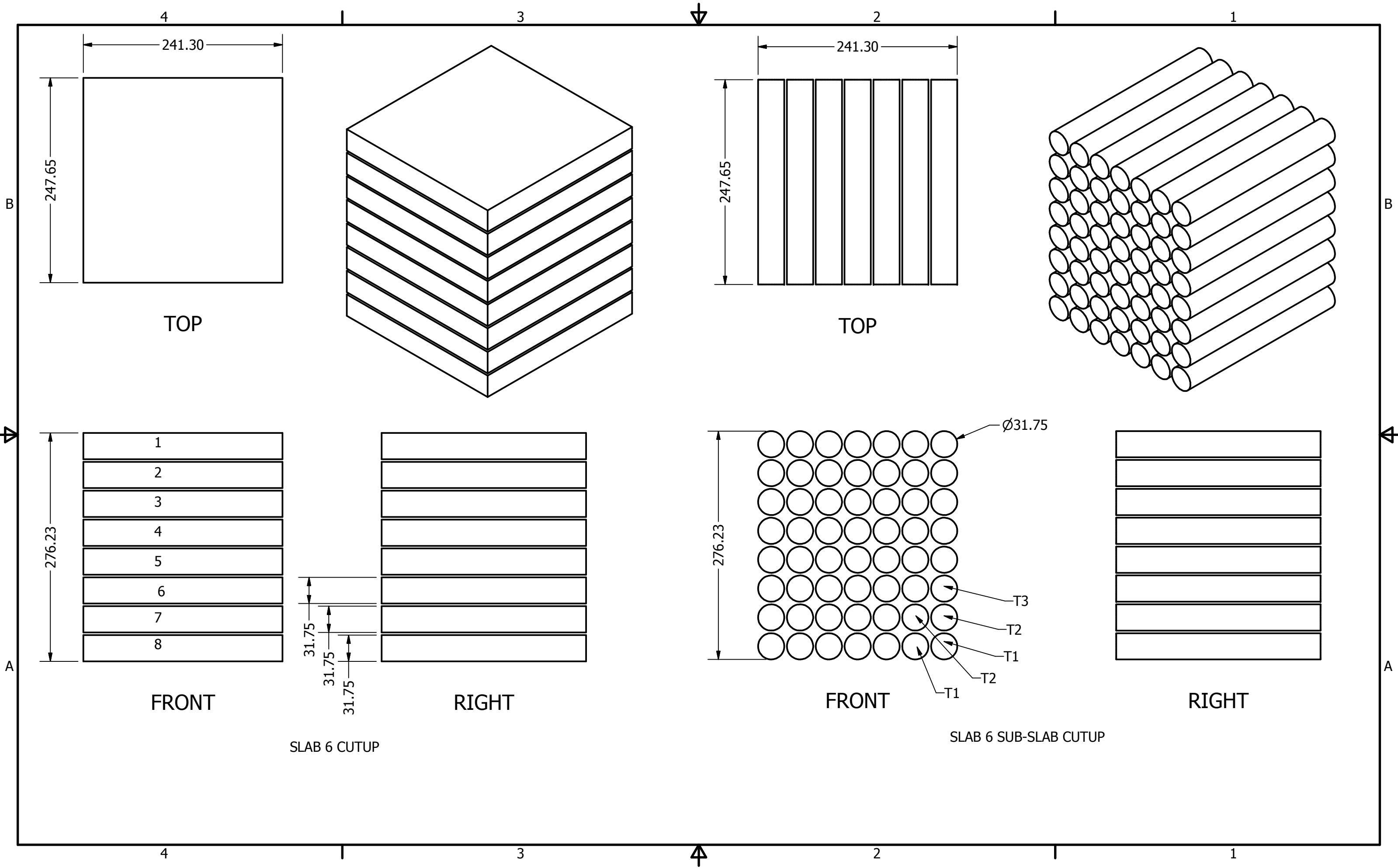


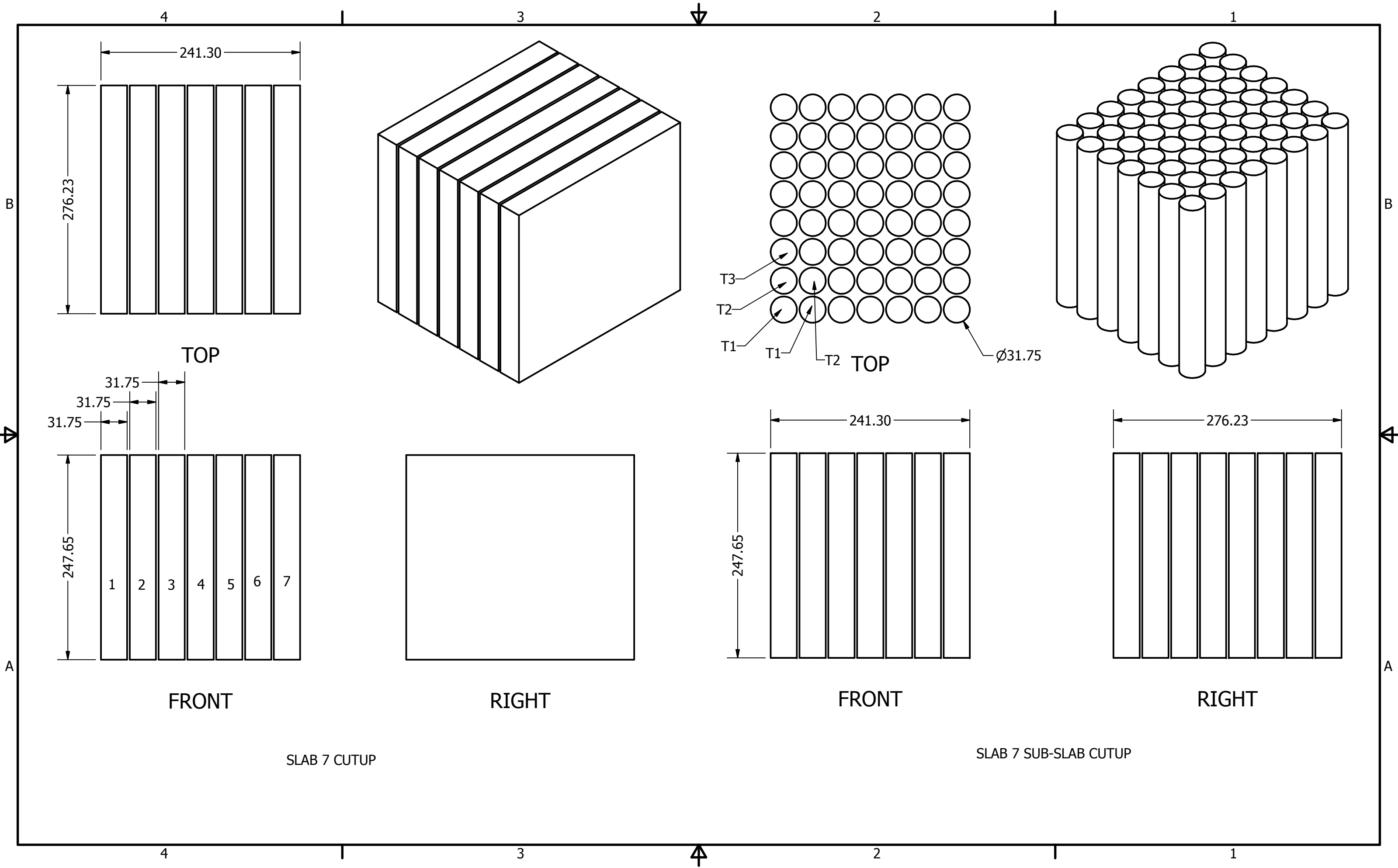












Distribution

- | | | | |
|-----|-----------------|-----|-------------------|
| 1. | T. D. Burchell | 12. | R. A. Raschke |
| 2. | C. I. Contescu | 13. | W. Ren |
| 3. | W. R. Corwin | 14. | P. L. Rittenhouse |
| 4. | S. R. Greene | 15. | A. F. Rowcliff |
| 5. | D. T. Ingersoll | 16. | L. L. Snead |
| 6. | Y. Katoh | 17. | R. G. Stoller |
| 7. | J. W. Klett | 18. | J. P. Strizak |
| 8. | E. Lara-Curzio | 19. | R. W. Swindeman |
| 9. | T. E. McGreevy | 20. | P. F. Tortorelli |
| 10. | L. K. Mansur | 21. | D. F. Wilson |
| 11. | R. K. Nanstad | 22. | S. J. Zinkle |
-
21. Cathy Barnard, Idaho National Engineering and Environmental Laboratory, P.O. Box 1625, Idaho Falls, Idaho 83415-3750
 22. Robert Bratton, Idaho National Engineering and Environmental Laboratory, P.O. Box 1625, Idaho Falls, Idaho 83415-3710
 23. Trevor Cook, NE-20/Germantown Building, Office of Advanced Nuclear Research, U.S. Department of Energy, 1000 Independence Avenue, S.W., Washington, DC 20585-1290
 24. Susan Lesica, NE-20/Germantown Building, Office of Advanced Nuclear Research, U.S. Department of Energy, 1000 Independence Avenue, S.W., Washington, DC 20585-1290
 25. Thomas J. O'Conner, NE-20/Germantown Building, Office of Advanced Nuclear Research, U.S. Department of Energy, 1000 Independence Avenue, S.W., Washington, DC 20585-1290
 26. Robert Versluis, NE-20/Germantown Building, Office of Advanced Nuclear Research, U.S. Department of Energy, 1000 Independence Avenue, S.W., Washington, DC 20585-1290
 27. Kevan Weaver, Idaho National Engineering and Environmental Laboratory, P.O. Box 1625, Idaho Falls, Idaho 83415-3750
 28. William E. Windes, Idaho National Engineering and Environmental Laboratory, P.O. Box 1625, Idaho Falls, Idaho 83415-2218.