

CONF-960804--9

DOE/MC/30362-96/C0697

**BOA: Asbestos Pipe-Insulation Abatement Robot System**

**Author:**

Hagen Schempf

**Contractor:**

Robotics Institute - Field Robotics Center 201  
Carnegie Mellon University  
5000 Forbes Avenue  
Pittsburgh, Pennsylvania 15213

**Contract Number:**

DE-RA21-93MC30362

**Conference Title:**

Spectrum '96

**Conference Location:**

Seattle, Washington

**Conference Dates:**

August 18-23, 1996

**Conference Sponsor:**

American Nuclear Society

**Contracting Officer Representative (COR):**

V.P. Kothari, E06

**MASTER**

## **DISCLAIMER**

This report was prepared as an account of work sponsored by an agency of the United States Government. Neither the United States Government nor any agency thereof, nor any of their employees, makes any warranty, express or implied, or assumes any legal liability or responsibility for the accuracy, completeness, or usefulness of any information, apparatus, product, or process disclosed, or represents that its use would not infringe privately owned rights. Reference herein to any specific commercial product, process, or service by trade name, trademark, manufacturer, or otherwise does not necessarily constitute or imply its endorsement, recommendation, or favoring by the United States Government or any agency thereof. The views and opinions of authors expressed herein do not necessarily state or reflect those of the United States Government or any agency thereof.

This report has been reproduced directly from the best available copy.

Available to DOE and DOE contractors from the Office of Scientific and Technical Information, 175 Oak Ridge Turnpike, Oak Ridge, TN 37831; prices available at (615) 576-8401.

Available to the public from the National Technical Information Service, U.S. Department of Commerce, 5285 Port Royal Road, Springfield, VA 22161; phone orders accepted at (703) 487-4650.

# **BOA: Asbestos Pipe-Insulation Abatement Robot System**

Hagen Schempf  
Robotics Institute - Field Robotics Center 201  
Carnegie Mellon University  
5000 Forbes Ave., Pittsburgh, PA 15213  
(412) 268-6884, 268-5895 FAX  
E-mail: hagen+@cmu.edu

## **ABSTRACT**

The *BOA* system is a mobile pipe-external robotic crawler used to remotely strip and bag asbestos-containing lagging and insulation materials (ACLIM) from various diameter pipes in (primarily) industrial installations. Steam and process lines within the DOE weapons complex warrant the use of a remote device due to the high labor costs and high level of radioactive contamination, making manual removal extremely costly and highly inefficient. Currently targeted facilities for demonstration and remediation are Fernald in Ohio and Oak Ridge in Tennessee.

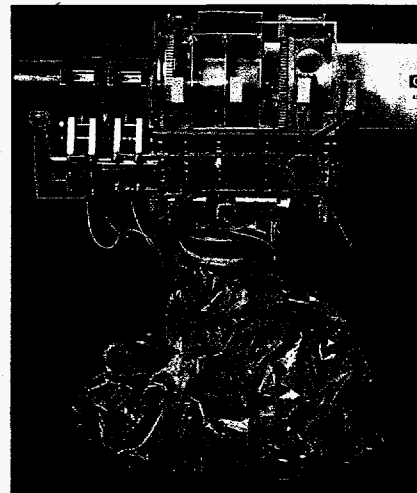
## **I. INTRODUCTION**

Asbestos insulation abatement has been, and still is, a big problem in renovation and dismantlement [3], since EPA and OSHA regulations are strict on removal procedures and worker safety [4], due to the carcinogenic nature of the insulation product (despite ongoing disputes) [5].

The Department of Energy (DOE) owns many chemical processing plants across the US, which are scheduled for dismantlement. Most of their steam and process lines have been insulated with ACLIM and hence warrant special attention, especially due to the high potential of contamination with contaminated fluids and particles. Hence, these lines within the DOE weapons complex warrant the use of a mechanical and remote device due to the high costs of abatement, making manual removal and disposal extremely costly and highly inefficient.

The DoE has funded a two-phase program at CMU to develop an automated system to strip insulation from their process pipes. The two-phase program has progressed past Phase I with a proof-of-concept prototype development and

testing scope, and is currently in Phase II. As part of the current scope, a complete regulatory, market and cost/benefit study has been completed. Current efforts are targeted towards the design and implementation of a prototype system to abate steam and process lines in the 4 to 8-inch diameter range at a DoE facility by October 1996. In the first-phase effort completed in December 1994, we developed and tested a proof-of-concept prototype system using preliminary locomotion and removal systems, with fiberglass insulation as a surrogate material (see Figure 1) [9].



**Figure 1: *BOA* Proof of Concept Prototype Robot**

## **II. PROBLEM STATEMENT**

The main challenges in developing an automated asbestos abatement system lie in the areas of process, operations and regulations ([1],[2],[11]). One has to deal with

insulation and lagging materials of almost all possible forms and consistencies, which make any material handling mechanism hard to design. Furthermore, the device must be able to work in existing facilities which were not designed for human abatement activities in terms of reach, access, etc., and even less for the use of a machine to perform the abatement job. And lastly, the entire operation has to meet the stringent regulations drafted and enforced by OSHA and EPA, which are mostly concerned with keeping fiber counts below acceptable levels, while enforcing that only allowable work practices be employed during the abatement process. And of course the last hurdle before a system could truly be termed successful, is that it has to be able to save the abatement contractor money, while doing the job faster, safer and better than a human asbestos worker could.

Representative ACLIM materials we are concerned with, include the lagging materials, such as aluminum, straps, screws and wires, and the insulation material, typically friable<sup>1</sup>, or as hard as CalSil. A pictorial view of these materials is shown in Figure 2.

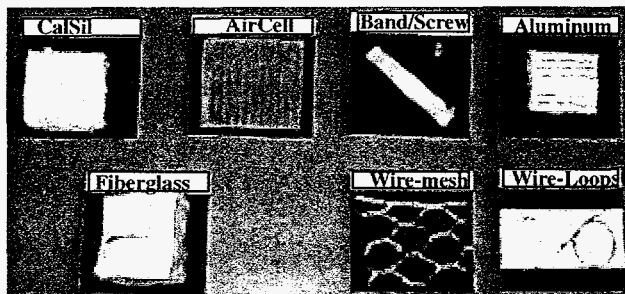


Figure 2: Samples of lagging & insulation material

### III. PRELIMINARY RESULTS

It was determined [9] that such a self-propelled, negative-pressure mini-containment system could meet EPA and OSHA mandated fiber-count levels during abatement operations, and that automated removal operations on piping could achieve a high removal rate. Using a mechanical cutting method (circular diamond-grit coated blade), we were able to achieve a net abatement rate of 4 ft./hr., which we knew we had to improve on to make the system more cost-effective. Compressing the material off the pipe once cut, was not sufficient to guarantee removal 100% of the time without some form of human assistance. This result lead us to the realization that a truly reliable and omni-directional cutting system was needed. The use of

1. defined as turning to powder upon being touched

fiberglass as a surrogate was changed to Calcium Silicate (Calsil), since it was termed more akin to asbestos-containing material (ACM) in the field. This change made in-situ compression of the ACLIM unrealistic and the need for water-assisted/misted cutting and size reduction necessary, further aiding to reduce loose fiber emanation.

Based on these main and other secondary results, the DoE review panel decided to continue the project into Phase II. A revised statement of work for Phase II called for improvements and refinement to the design of the robotic removal head and locomotor system, further guided by a regulatory analysis and a market study and cost/benefit analysis to determine regulatory and performance requirements, market size and commercial potential of such systems for the DoE and within the abatement contractor industry.

### IV. COST BENEFIT ANALYSIS

The overall study [5] clearly highlighted guidelines in the areas of regulatory compliance and certification, potential market sizes in the DoE and industry, as well as overall performance requirements and system-cost boundaries in order to be competitive and achieve substantial savings in the thermal insulation abatement market segment.

#### A. Regulatory Analysis

As part of the regulatory analysis, we charted a 'certification' path for any alternative abatement method proposed to EPA and OSHA. Even though OSHA/EPA do not certify equipment for use in abatement jobs, they do specify system performance in terms of allowable exposure limits (which aids somewhat in system design), work practices (process of using abatement techniques and equipment) and approval processes (permitting, notification, etc.). From a design stand-point, we will have to ensure we meet the fiber-emissions level regulations, which currently lie at 0.1 fibers/cc - as spelled out in 40 CFR Part 61 [8]. These restrictions imply the use of static and dynamic seals, positive airflow at all times, proper wetting and fiber-sealing and a proper deployment procedure to avoid any fiber release. The 'certification' process that BOA will have to go through, involves the drafting of a technical performance report by an on-site industrial hygienist or project designer with P.E. license which is then submitted to the DC-office of OSHA for review and acceptance - a process spelled out in 29 CFR 1926.1101 (g) (6) [7]. Local, state and regional EPA and OSHA officials are kept abreast of the development and are invited to view the deployment and check for compliance on top of the required independent air monitoring. A full timeline and a list of deliverables and

names within EPA and OSHA have been drafted for implementation during Phase II.

### B. Market Study

A thorough review of thermal insulation systems and the asbestos abatement industry within the DoE and industry was conducted [10]. It was determined that the DoE has about 2 million linear feet of total piping (1.5M indoors, 0.5M outdoors) of medium bore-size (4 to 8 in. DIA.) in need of abatement, collected in the six major sites (Savannah River, Hanford, INEL, Oak Ridge, Rocky Flats, Fernald). A breakdown by site and indoors/outdoors is given in Table 1 below.

DoE SITE	Outdoor	Indoor	TOTAL
Savannah Riv.	110,000	562,000	672,000
Hanford	100,000	300,000	400,000
INEL	60,000	189,000	249,000
Oak Ridge	30,000	184,600	214,600
Rocky Flats	60,000	186,000	246,000
Fernald	70,000	48,700	118,700
<b>TOTAL</b>	<b>430,000</b>	<b>1,460,300</b>	<b>1,890,300</b>

Table 1 :Medium Bore DoE piping breakdown

The industrial market size was determined to be about 33.5 million linear feet each year over the next 10 years [6]. We believe that a BOA-like system, attacking only a portion of that market (4 to 8 inch diameter piping) currently abated with glovebags (22%) and then only in more sizeable installations where clearances are available for the robot to work on pipes, would be applicable to up to 0.5 million linear feet total within the DoE and about 1.5 million linear feet a year within the industrial market segment.

### C. Cost/Benefit Analysis

Based on the potential performance of a robot abating at a rate of 40 linear feet per hour, compared with about 3 to 6 feet in DoE/Industry, with associated per-foot abatement costs ranging between \$25 and \$150 for Industry/DoE, it was determined that substantial savings could be realized with the use of such a robot system [10]. Overall abatement costs could decrease between 25% and 50%, depending on whether the system replaces a current glovebag or full-containment method. Overall savings were thus computed to lie between \$10 million and \$15 million for DoE, which

does not even count savings due to reduced radiation exposure, work-crew reduction and insurance savings, overall worker safety and potential litigation cost savings. Potential unit sales to DoE (and/or its M&Os and subcontractors) and commercial asbestos abatement contractors were estimated to be between 150 and 300 units over the next 7 years, depending on the size of the contractor and job, as well as the final production cost of the system.

### V. SYSTEM OVERVIEW

The overall system configuration of the BOA asbestos abatement system is shown in Figure 4. The abatement head is located on a pipe, and tethered to the off-board logistics support and control units. Connections between the head and the logistics unit include power, control and feedback lines, water and encapsulant lines, as well as a 4-inch diameter vacuum hose. A jib-crane is used to emplace and remove BOA on and from the pipe upon start-up and around obstacles. The off-board logistics are comprised of a diesel-powered electric generator, a 1,000 cfm industrial HEPA-vacuum system, a cyclonic waste-bagging system, and a water-separator system for removing water from the waste-stream. A pressurized water pump and encapsulant system are used to cut the insulation and wet the removed sections to trap any loose fibers. A central controller box controls, coordinates and monitors all system parameters and interfaces to a human operator via a simple touch-pendant.

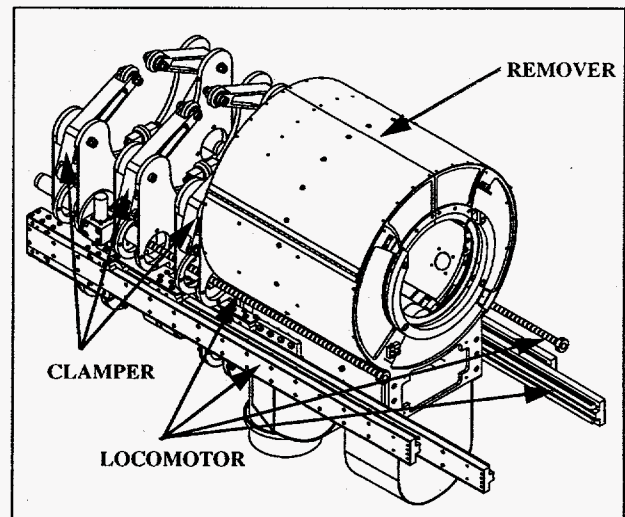
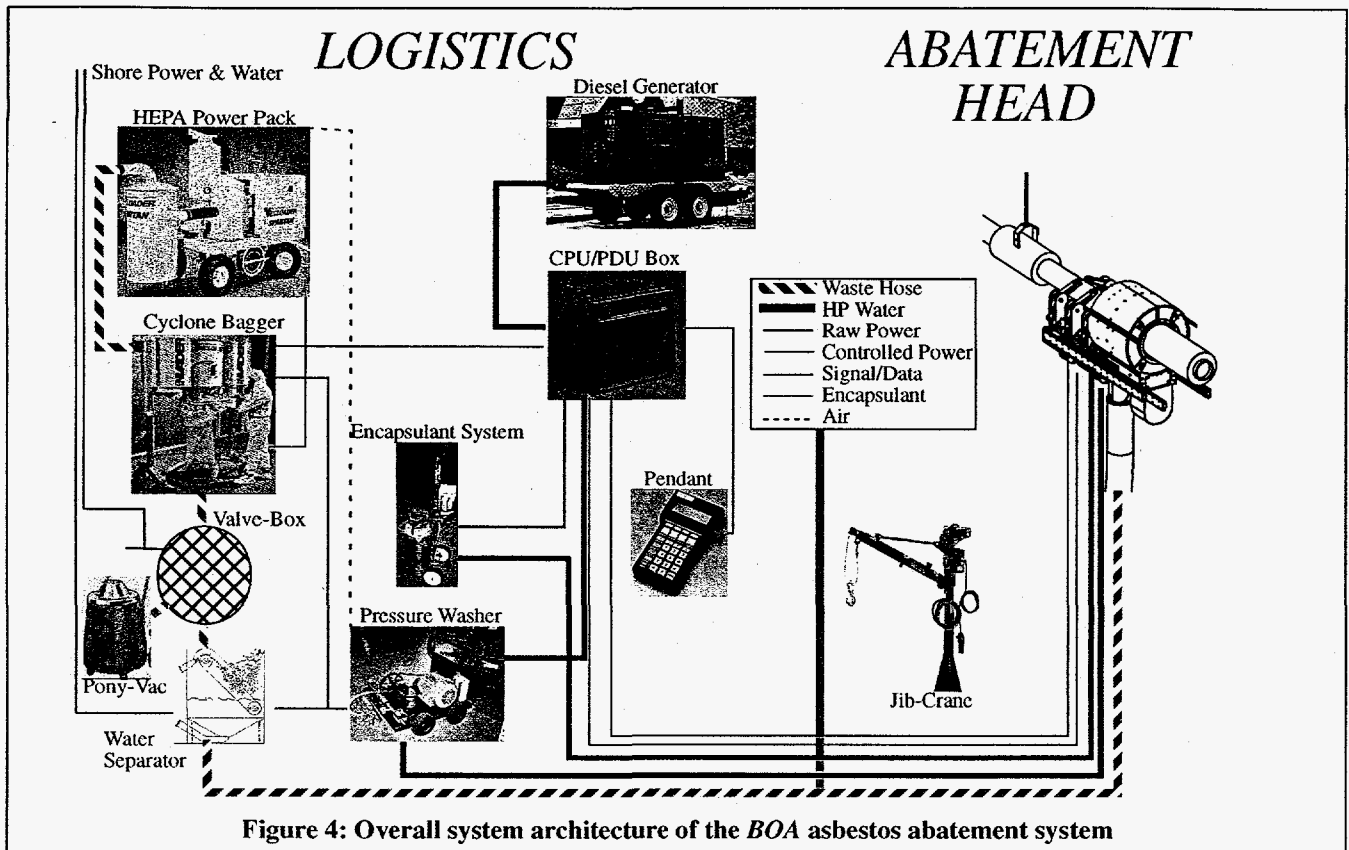


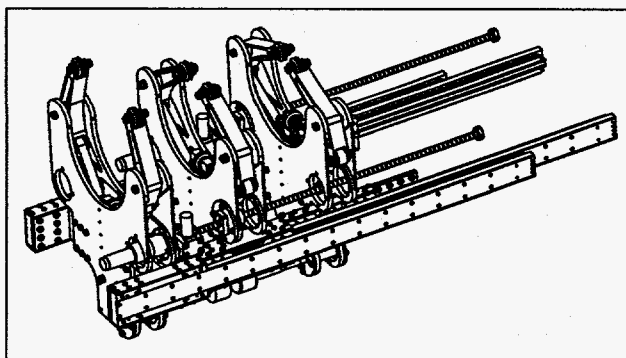
Figure 3: Phase II BOA Abatement Head

The crawler itself, dubbed BOA, consists of a locomotor and remover section, where the locomotor is responsible for clamping and inching along the pipe, while the remover contains all the systems needed to remove the



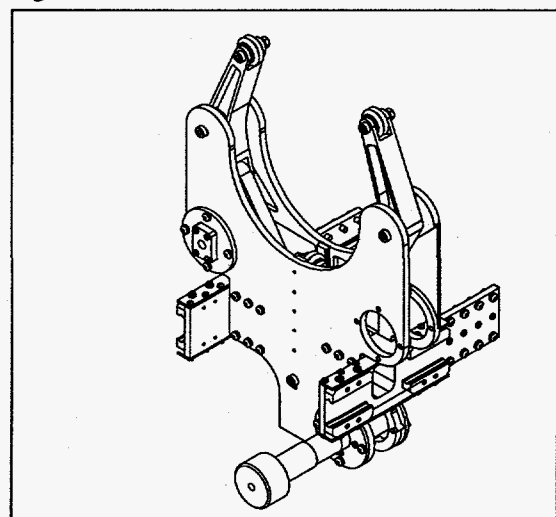
ACLIM from the pipe to the required cleanliness levels. A picture of the overall system and the individual locomotor and remover is shown in Figure 3.

The abatement head is able to automatically crawl along the pipe and remove insulation via its remover section. The locomotor is based on a set of clamping units that are interconnected via the locomotor stages to allow the system to crawl in an inch-worm fashion. A perspective view of the locomotor section (with the attached clamber units), is shown in Figure 5.

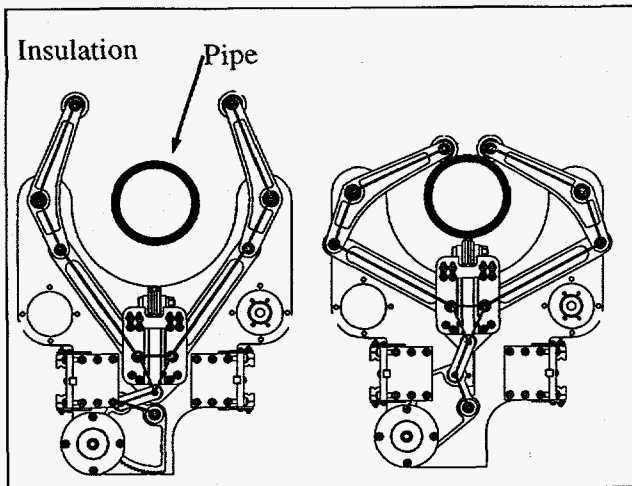


**Figure 5: Overview of locomotor system**

The clamber is a simple four-bar linkage system operating on three-footed contact rollers to allow centered and misalignment during the clamping operation. By using three clamping units, we will guarantee stable walking and removal operations, since two clamps will always be attached to the pipe. Figure 6 shows the overall clamber configuration,



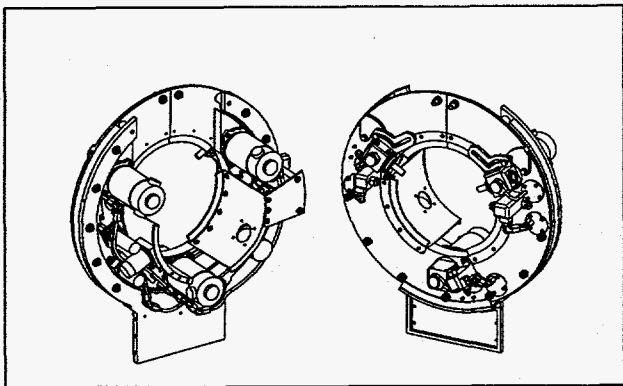
**Figure 6: Overview of clamber system**



**Figure 7: Clamper Overview and extreme positions**

while Figure 7 shows the open and closed configurations of a 'dissected' clamper. Note that we are using a simple three-point contact scheme, actuated through a gear-driven hybrid four-bar linkage mechanism. Orthogonally-placed v-groove rollers on the ends of the three contact points ensure that each clamper has a self-centering effect without losing the ability to stay clamped onto the pipe.

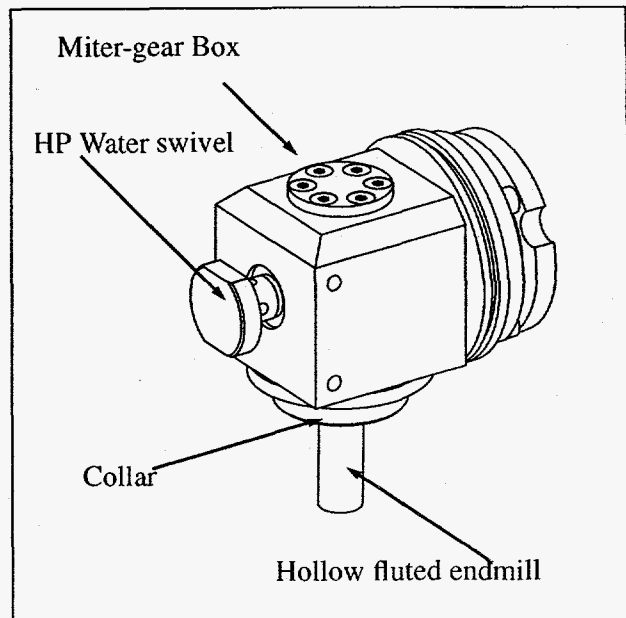
The remover is based on a rotationally mounted set of three omni-directional hybrid endmill/water-jet cutters that are used to dice the insulation into 2-inch chunks as the abatement head walks along the pipe. An inside view of the rotating cutter-head plate is shown in Figure 8.



**Figure 8: Inside view of the rotating cutter-plate heads**

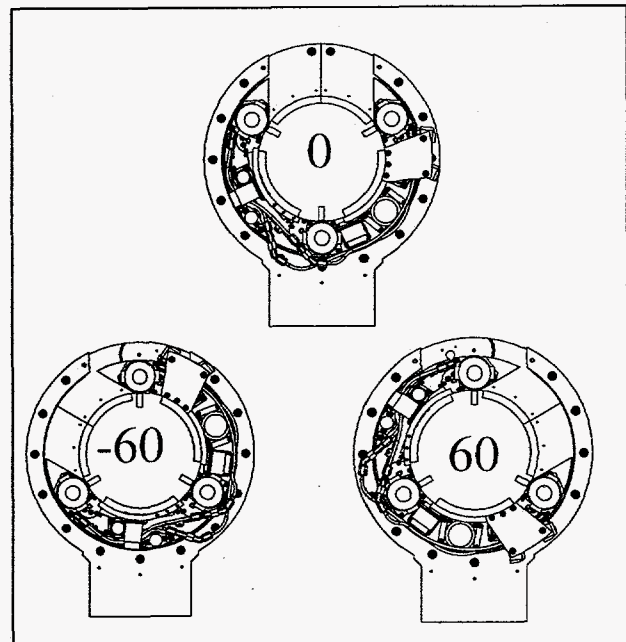
The cutter-head is a customized hybrid endmill/water-jet system which allows the head to cut through all forms of metallic lagging and strapping, while being able to cut through insulation without damaging the pipe and without being susceptible to a variety of alignment and obstacle issues. A perspective and cross-sectional view of the cutter-

head is shown below in Figure 9.



**Figure 9: Hybrid cutter-head system**

The cutter system performs a combination of circumferential cuts via the cutter-plate heads by rocking back and forth through a  $\pm 60^\circ$  angle, shown in Figure 10,

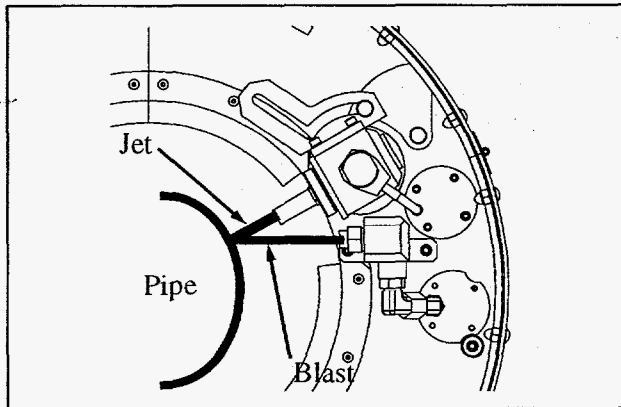


**Figure 10: Circumferential cutting sequence**

and then combines with a set of forward and backward locomotion strokes to 'dice' out chunks of maximum size

that can freely tumble out of the removal chamber and travel through the waste-hose uninhibited. Experiments to date have shown that cubes 2.5 inches on side, including aluminum lagging pieces of the same size, and even 24"-long bands (strap cut in only one spot) can all be conveyed through the waste-hose using the 1,000 cfm vacuum system.

The cutting and nozzle-blasting actions are combined to dislodge the chunks from the pipe and clean the pipe (Figure 11),



**Figure 11: Remover cutting and blasting jet systems**

The removed insulation and cutter waste-water are vacuumed away from the system through the vacuum hose, which is attached to the bottom of the abatement head and leads the material away from the pipe and to the off-board water separation unit (which recycles the water for cutting), and subsequently the cyclone bagger system.

*BOA* is currently sized to work on 4-inch diameter piping, but could easily be scaled to larger pipe-sizes<sup>2</sup>. Its

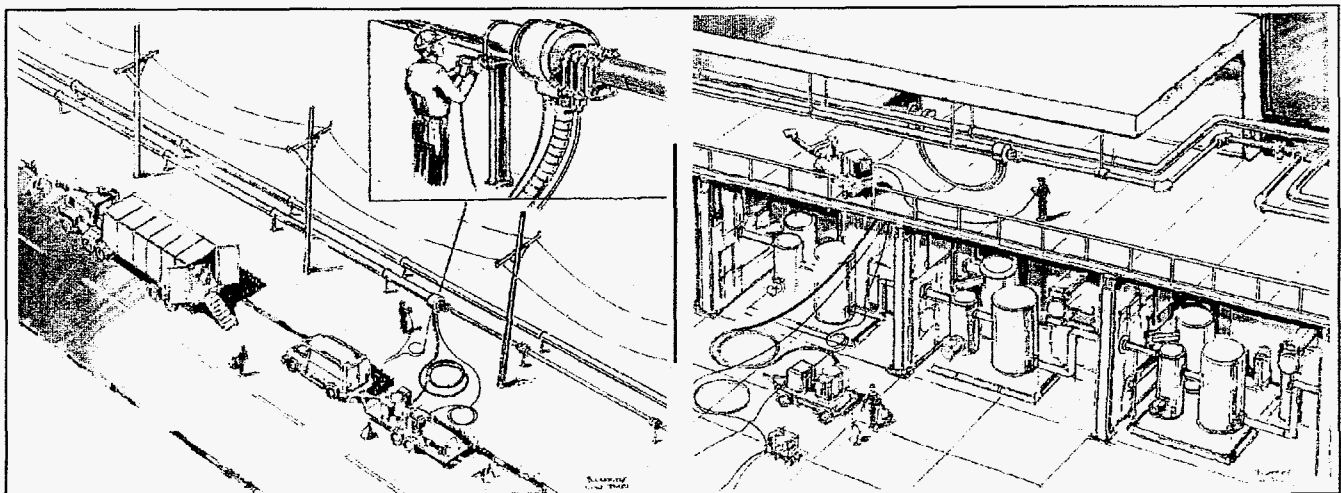
productivity is predicted to be between 30 to 40 feet per hour. The abatement head is designed to get around hangers by itself, by stepping around/over them, but without removing the insulation immediately around the hanger. Furthermore, human interaction is needed at major obstacle locations such as valves, junctions and bends. A human is in general only needed to place *BOA* on the pipe and handle it around obstacles. Left-over small sections of insulation around hangers and obstacles can be readily and quickly abated using glovebags and a single asbestos worker that follows the robot along its path.

Fiber-containment is achieved by sealing the entire system around the pipe, creating a high-velocity entrapment system around all seals (using the vacuum system as a waste-transport means and a vacuum means) and inside the removal module, wetting the insulation and sealing the exposed pipe, while monitoring air-quality around the system and thus obviating the need for a complete containment-area setup. This fact alone represent a major potential cost savings in overall abatement jobs due to the relative expense incurred in preparing the site for the asbestos abatement.

## VI. DEPLOYMENT CONSIDERATIONS

Based on the study period at the beginning of Phase II, we also developed a new operational scenario reflecting the guidelines and lessons learned from the study itself. A good way to explain the scenario is to depict the two types of possible deployment scenarios, namely indoor and outdoor, as shown in Figure 12.

2. smaller-bore piping is bagged and cut out of the network and disposed of with the insulation still on the pipe - a stationary floor-mounted *BOA*-like system could tackle this market as well!



**Figure 12: Outdoor and Indoor deployment scenarios for the *BOA* system.**



The entire system is shipped to the site on a flat-bed towed-trailer, where all the logistics units are set up. Assuming no available on-site power, a diesel-generator is used to provide the power for all systems. The HEPA vacuum is set up 300 feet away from the abatement site, to minimize noise levels, and hoses and cables are run to connect the vacuum, electrical and water systems to each other. The water-separator is filled with water, as it serves as the reservoir for the pressurized water pump used for cutting and blasting the pipe. Once the control box is hooked up, the human operator performs a checkout procedure of the entire system, including the robot located in its storage/transport container. Upon successful completion of the start-up, the jib-crane used as the positioner, is emplaced onto BOA, and the complete abatement head is lifted off the transport pipe and brought to the section pipe that has previously been cleared to begin abatement. Once the head is firmly attached to the pipe and the positioner is removed, all systems are automatically turned on and the fully automatic abatement cycle begins.

During normal operations, one would have one operator with the pendant close to the on-pipe crawler monitoring it and overseeing its operations, while a second operator would be needed at the bagging station, as the waste material arriving from the abatement head needs to be batch-removed out of the cyclone separator every 10 minutes. A backup HEPA system is ready to be energized in case of major HEPA-Vac failure as well as during the bag-out cycle. The entire system has also been designed to be transportable to work on different floors in industrial buildings so that even extremely-high piping networks can be abated. In general, depending on whether pipes are up high or down low, the use of a JLG might be required, and our positioner and control pendant have been designed to work on different platforms and at remote locations from the control box.

## VII. ONGOING WORK

We are currently in the building and testing phase of the prototype system, which we intend to demonstrate to a DoE review panel in July and October 1996. Upon successful completion, DoE will facilitate a full-scale cold-test by October 1996 at Oak Ridge's K-25 plant (for indoor piping) and at the Fernald site (for outdoor piping). Prior to delivering the unit, a demonstration will also be held for commercial asbestos abatement contractors that would be

interested in using BOA for future government and industrial abatement jobs.

## VIII. ACKNOWLEDGMENTS

The project is sponsored by the DOE's Office of Environmental Management (OEM), the Office of Science and Technology (OST), and is administered through the Morgantown Energy Technology Center's (METC) under contract number DE-RA21-93MC30362. Assistance for demonstration and use of the final system is being rendered by the Oak Ridge K-25 (indoor piping) and Fernald sites (outdoor piping). Carnegie Mellon University will develop the system and collaborate with an industrial automated/robotic equipment manufacturer to commercialize the technology at the conclusion of the program in October 1996.

## IX. REFERENCES

- [1] BOA - DoE Fernald (FEMP) Site Visit Report, DOE-METC Document, Nov. 1993
- [2] BOA - DoE Oak Ridge National Laboratory (ORNL) Site Visit Report: RTPS, X-10 & K-25, DOE-METC Document, Nov. 1993
- [3] "Asbestos Survey Final Report for Westinghouse Environmental Management Company of Ohio", FEMP, Project No. D/278091001-1, Feb. 28, 1992
- [4] Asbestos Abatement Reference Manual, National Insulation Contractors Association, 1985
- [5] "Asbestos: The Big Lie", by Matthew Moriarty, 21<sup>st</sup> Century Magazine - Environment, Winter '93/94
- [6] The Jennings Group, Inc., Asbestos Abatement Contracting Industry 1993, May 1993. (Copyrighted)
- [7] OSHA - 29 CFR 1926.1101, 29 CFR 1910, et al., "Occupational Exposure to Asbestos; Final Rule", August 10, 1994
- [8] EPA - 40 CFR Part 61, "National Emissions Standards for Hazardous Air Pollutants", November 20, 1990
- [9] H. Schempf, J. Bares, "BOA: Asbestos Pipe Insulation Removal Robot System - Phase I", DOE/MC/30362 -- 4049, DE95000095), National Technical Information Service, Springfield, VA, February 1995
- [10] Schempf et al., "BOA: Market Study, Cost Benefit Analysis & Regulatory Review - Topical Report", Draft Version, METC/CMU, Pittsburgh/Morgantown, PA/WV, July 1995
- [11] Site Survey Reports from several sites: Oak Ridge, Fernald, INEL, Savannah River, Rocky Flats & Hanford