

# Transparency of payments for Open Access Extending the metadata set with contract and payment details

Julia Bartlewski, Christoph Broschinski, **Gernot Deinzer**,  
Dirk Pieper, Bianca Schweighofer, Colin Sippel, Lisa-Marie  
Stein, Alexander Wagner, Silke Weisheit

Open Repositories  
2024, 6/June/2024

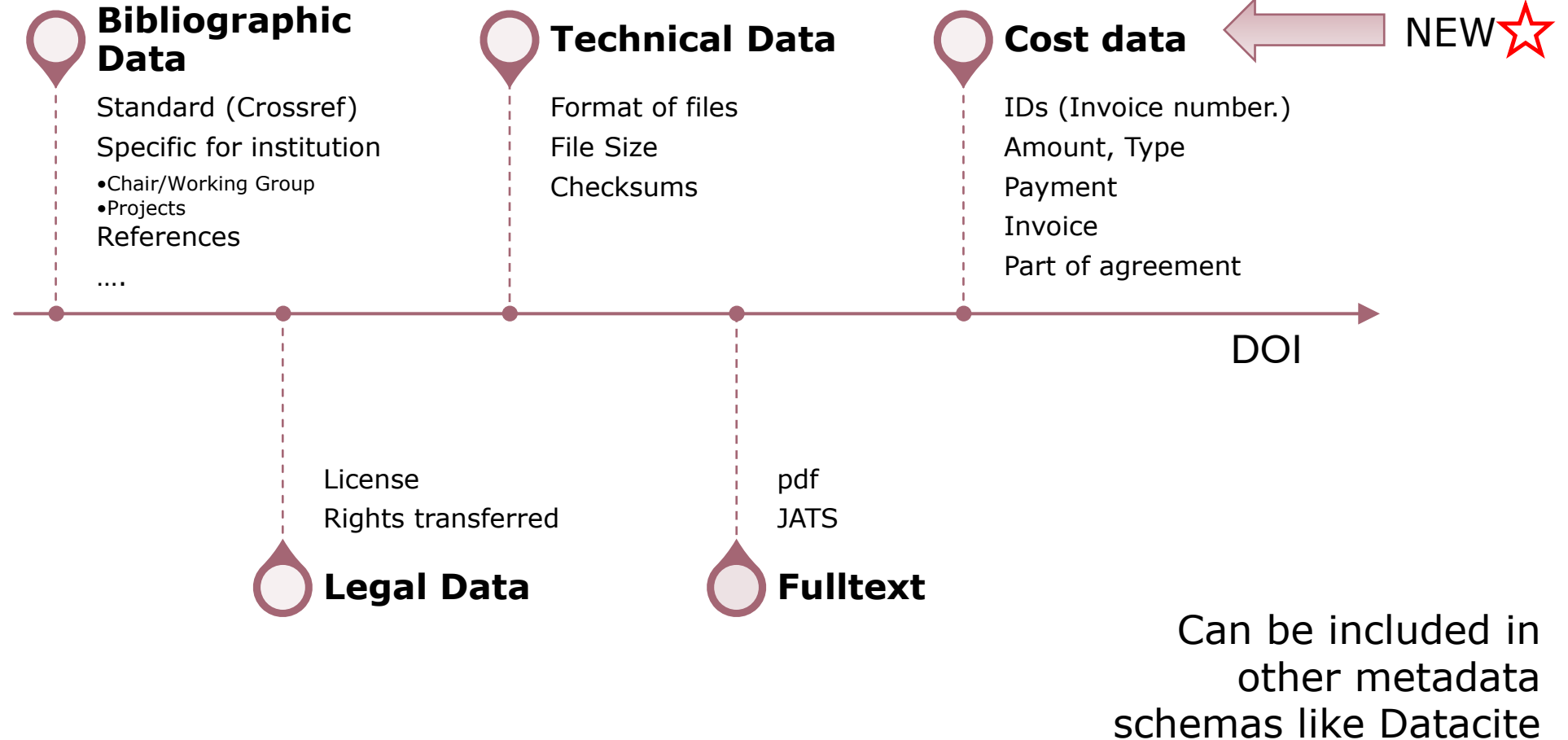


## Metadata of publication

Extending the metadata of a publication with costs associated for publishing



# Metadata of publication



## Question:

**What are costs of a publication, if it was published in the framework of an agreement with a publisher or within a consortia?**

How can we address these costs to a publication?



# Current Situation

## Consortium SCOAP<sup>3</sup>

### Mentioned in copyright

*Published by the American Physical Society under the terms of the Creative Commons Attribution 4.0 International license. Further distribution of this work must maintain attribution to the author(s) and the published article's title, journal citation, and DOI. Funded by SCOAP 3*

**DEAL** (German Transformative Agreement with Springer Nature, Wiley, Elsevier)

### Mentioned in Acknowledgement - Funding

*Open Access funding enabled and organized by Projekt DEAL.*

**Others: No mention at all**



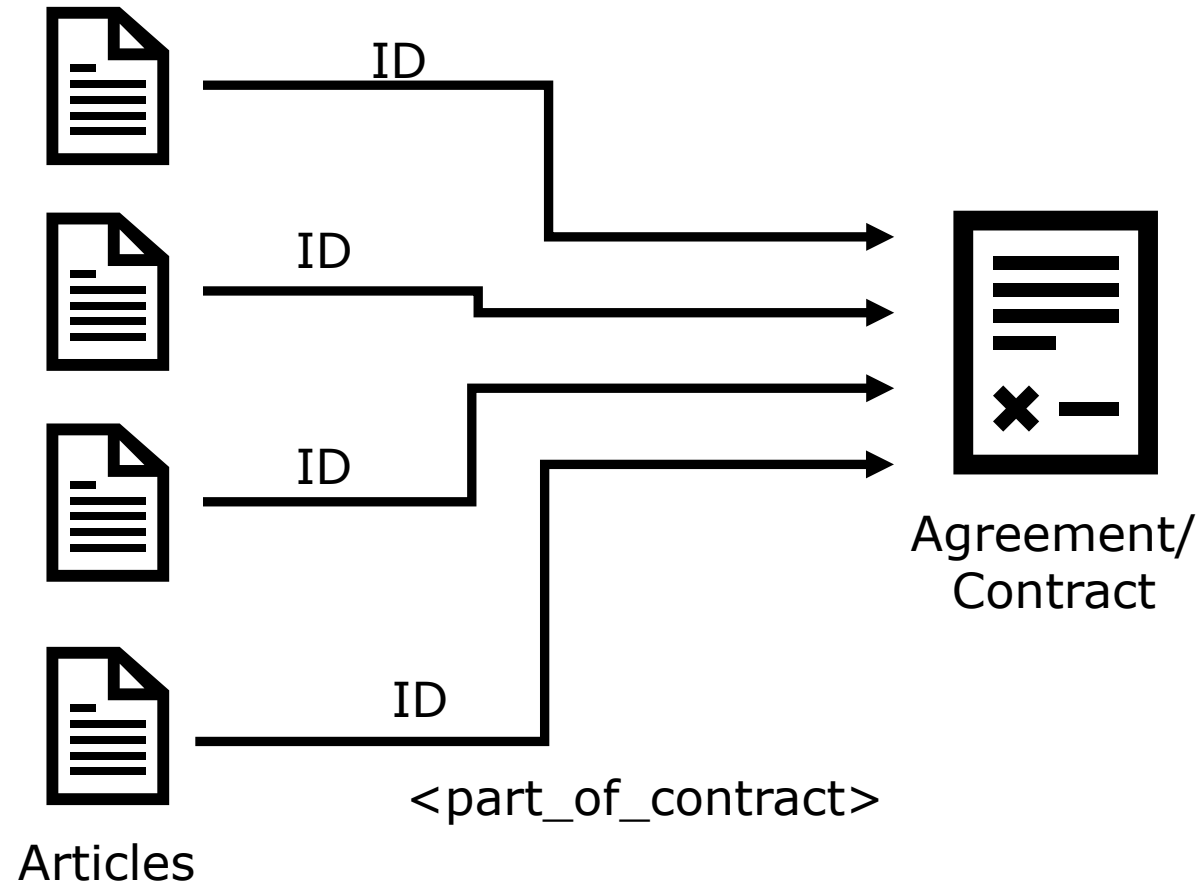
# Possible solution: Repository

New Entity (Dataobj): **Contract**

Metadata:

- Name of agreement
- ID -> registry for agreements
- Period of agreement
- Invoices
- Payments
- Creditor

## Reference in Article Metadata to Contract



# **METADATA SCHEMA**

Suggesting a schema for metadata of a contract





# XML and JSON Representation

<pre>&lt;contract&gt;   &lt;contract_name&gt;DEAL&lt;/contract_name&gt;   &lt;institution&gt;...&lt;/institution&gt;   &lt;invoice_group&gt;...     &lt;payment&gt;...&lt;/payment&gt;   &lt;/invoice_group&gt; &lt;/contract&gt;</pre>	<pre>contract:{   contract_name:DEAL,   institution:{...},   invoice_group:{...     payment:{...}   } }</pre>
---	---

## Machine Readable Data

Exchange of data possible via

- OAI-PMH
- API



# REAL IMPLEMENTATION

First application of metadata schema

Funded by Deutsche Forschungsgemeinschaft (DFG) – Project Number 457354095



# First Implementation (EPrints)

**Edit**

---

**Name** ?

DEAL Springer Nature

---

**Primary ID** ?

sn2020deal

---

**Participation** ?

**From** Year: 2020 Month: January Day: 01 Year: 2023 Month: December Day: 31

---

**Invoices** ?

	Number	Creditor	From			To			Amount	Currency
1.	12345	MPDL Service	Year: 2021	Month: January	Day: 01	Year: 2021	Month: December	Day: 31	100.000	EUR
2.	12346	MPDL Service	Year: 2022	Month: Unspecified	Day: ?	Year: 2022	Month: December	Day: 31	100.000	EUR
3.			Year:	Month: Unspecified	Day: ?	Year:	Month: Unspecified	Day: ?		UNSPECIFIED

---

**Payments** ?

	Invoice	Amount	Currency	Type
1.	12345	60.000	EUR	Read
2.	12345	40.000	EUR	Publish
3.			UNSPECIFIED	UNSPECIFIED

# First Implementation (EPrints)

★ Name ?

DEAL Springer Nature

★ Primary ID ?

sn2020deal

Participation ?

Year: 2020    **From**    Month: January    Day: 01    Year: 2023    **To**    Month: December    Day: 31

invoices ?

Number	Creditor	From	To	Amount	Currency
1. 12345	MPDL Service	Year: 2021    Month: January    Day: 01	Year: 2021    Month: December    Day: 31	100.000	EUR
2. 12346	MPDL Service	Year: 2022    Month: Unspecified    Day: ?	Year: 2022    Month: December    Day: 31	100.000	EUR
3.		Year:    Month: Unspecified    Day: ?	Year:    Month: Unspecified    Day: ?		UNSPECIFIED

More input rows

Payments ?

Invoice	Amount	Currency	Type
1. 12345	60.000	EUR	Read
2. 12345	40.000	EUR	Publish
3.		UNSPECIFIED	UNSPECIFIED

More input rows

# First Implementation (EPrints)

## Edit

Cancel

Save and Return

✦ Name ?

DEAL Springer Nature

✦ Primary ID ?

sn2020deal

## Invoices

	Number	Creditor	Year	Month	Day	Year	Month	Day	Amount	Currency
1.	12345	MPDL Service	2021	January	01	2021	December	31	100.000	EUR
2.	12346	MPDL Service	2022	Unspecified	?	2022	December	31	100.000	EUR
3.				Unspecified	?		Unspecified	?		UNSPECIFIED

More input rows

	Invoice	Amount	Currency	Type
1.	12345	60.000	EUR	Read
2.	12345	40.000	EUR	Publish
3.			UNSPECIFIED	UNSPECIFIED

More input rows

Cancel

Save and Return

# First Implementation (EPrints)

### Edit

**Name** ?

DEAL Springer Nature

**Primary ID** ?

sn2020deal

**Participation** ?

**From** Year: 2020 Month: January Day: 01 Year: 2023 Month: December Day: 31

**Invoices** ?

	Number	Creditor	From			To			Amount	Currency
1.	12345	MPDL Service	Year: 2021	Month: January	Day: 01	Year: 2021	Month: December	Day: 31	100.000	EUR
2.	12346	MPDL Service	Year: 2022	Month: Unspecified	Day: ?	Year: 2022	Month: December	Day: 31	100.000	EUR
3.			Year:	Month: Unspecified	Day: ?	Year:	Month: Unspecified	Day: ?		UNSPECIFIED

[More input rows](#)

### Payments ?

	Invoice	Amount	Currency	Type
1.	12345	60.000	EUR	Read
2.	12345	40.000	EUR	Publish
3.			UNSPECIFIED	UNSPECIFIED

[More input rows](#)

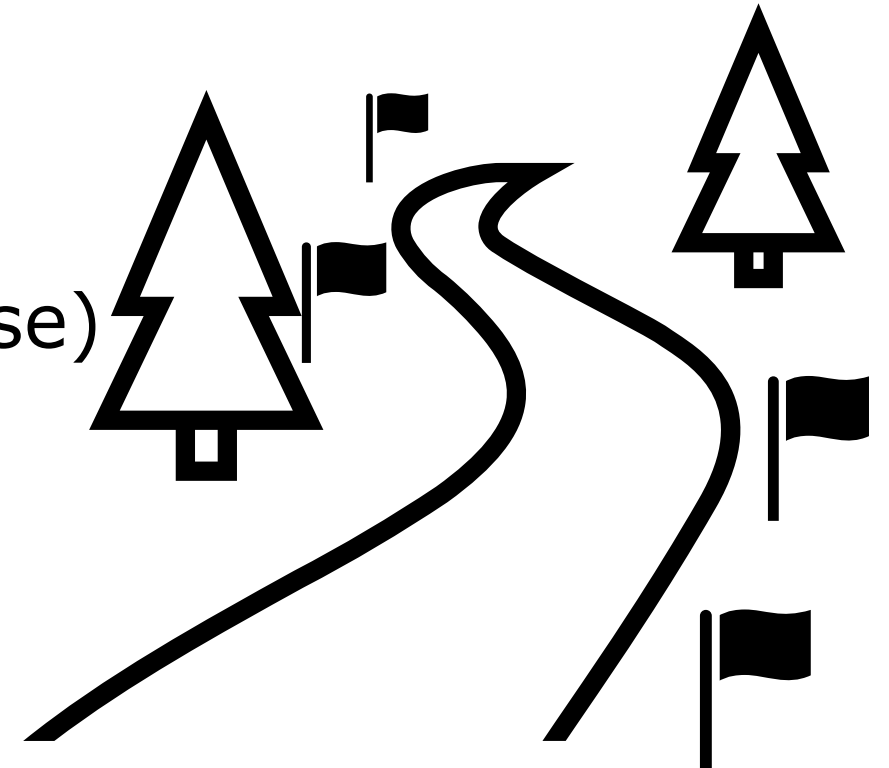
# Invitation

 7.-9. October 2024

Regensburg (Germany)

Final **workshop** (1st phase)

**The road to publication  
cost transparency -  
The next stage**





# Thank you!

Websites:

[www.opencost.de](http://www.opencost.de)

<https://github.com/opencost-de>

openCost Publications:

<https://www.opencost.de/en/publications>