

11-15-2018

Systems and Methods for Noise Mitigation for Hybrid and Electric Aircraft

Lenny Gartenberg

Richard P. Anderson

Borja Martos

Follow this and additional works at: <https://commons.erau.edu/publication>



Part of the [Propulsion and Power Commons](#)

Scholarly Commons Citation

Gartenberg, L., Anderson, R. P., & Martos, B. (2018). Systems and Methods for Noise Mitigation for Hybrid and Electric Aircraft. , (). Retrieved from <https://commons.erau.edu/publication/2177>

This Patent is brought to you for free and open access by Scholarly Commons. It has been accepted for inclusion in Publications by an authorized administrator of Scholarly Commons. For more information, please contact commons@erau.edu.



(19) **United States**

(12) **Patent Application Publication**
Gartenberg et al.

(10) **Pub. No.: US 2018/0327081 A1**

(43) **Pub. Date: Nov. 15, 2018**

(54) **SYSTEMS AND METHODS FOR NOISE MITIGATION FOR HYBRID AND ELECTRIC AIRCRAFT**

Publication Classification

(71) Applicant: **Embry-Riddle Aeronautical University, Inc.**, Daytona Beach, FL (US)

(51) **Int. Cl.**
B64C 11/30 (2006.01)
B64D 27/24 (2006.01)

(72) Inventors: **Lenny Gartenberg**, Coral Springs, FL (US); **Richard P. Anderson**, DeLeon Springs, FL (US); **Borja Martos**, Port Orange, FL (US)

(52) **U.S. Cl.**
CPC *B64C 11/305* (2013.01); *B64D 2027/026* (2013.01); *B64C 2220/00* (2013.01); *B64D 27/24* (2013.01)

(21) Appl. No.: **15/975,220**

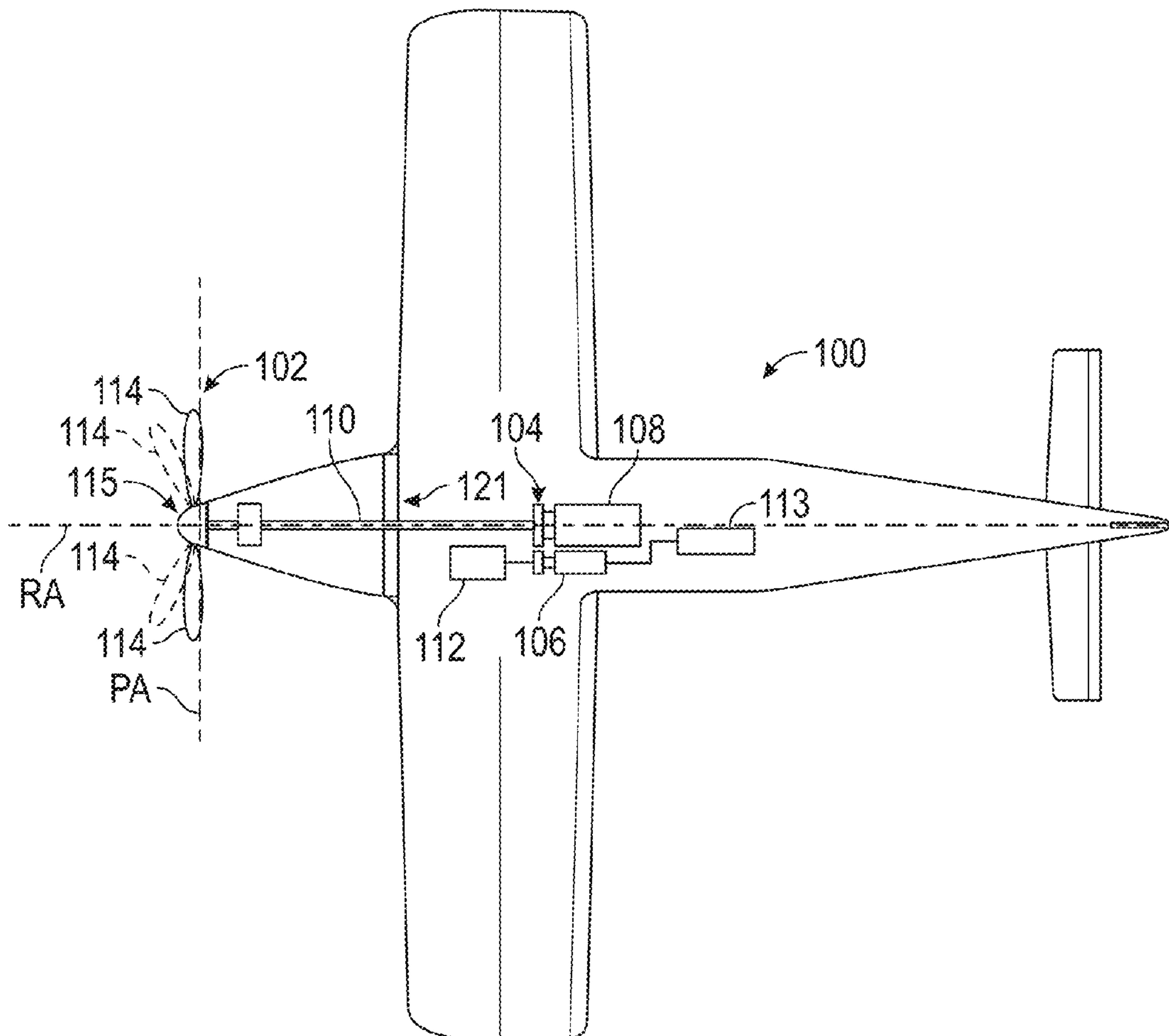
(57) **ABSTRACT**

(22) Filed: **May 9, 2018**

A system and method of noise mitigation for hybrid and electric aircraft, the aircraft having a controllable pitch propeller or rotor(s) with a plurality of blades. The propeller or rotor(s) are driven by a drive system to provide thrust for the aircraft, and the blades of the propeller or rotor(s) are further movable about pivot axis to vary a pitch thereof. A controller on-board the aircraft is operable to cause rotation or movement of the blades of the propeller or rotor(s) about their pivot axis to alter and/or focus at least one aspect of the propeller generated noise to reduce or mitigate such noise while maintaining a substantially constant thrust, altitude, and/or air speed of the aircraft.

Related U.S. Application Data

(60) Provisional application No. 62/504,169, filed on May 10, 2017.



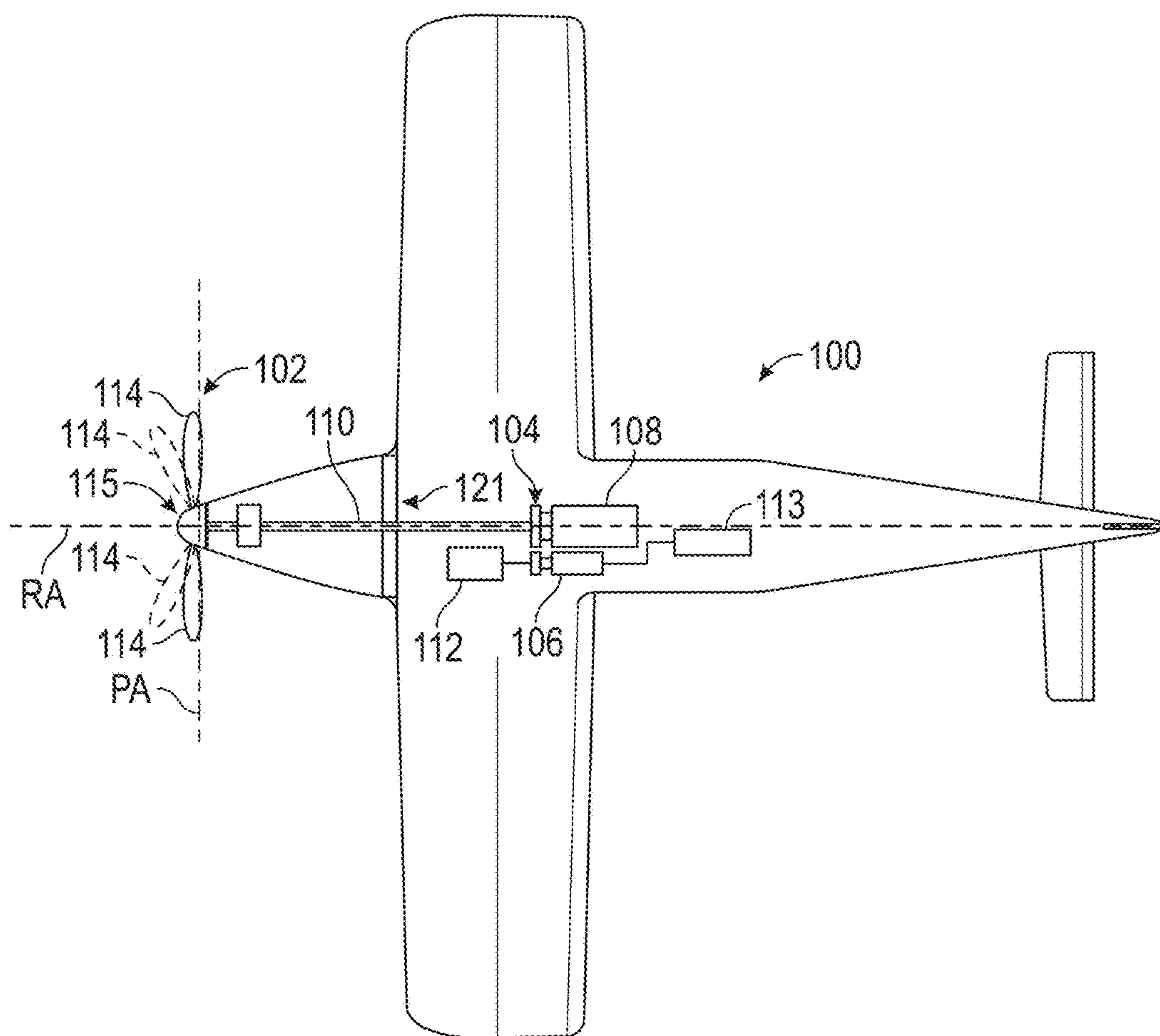


FIG. 1

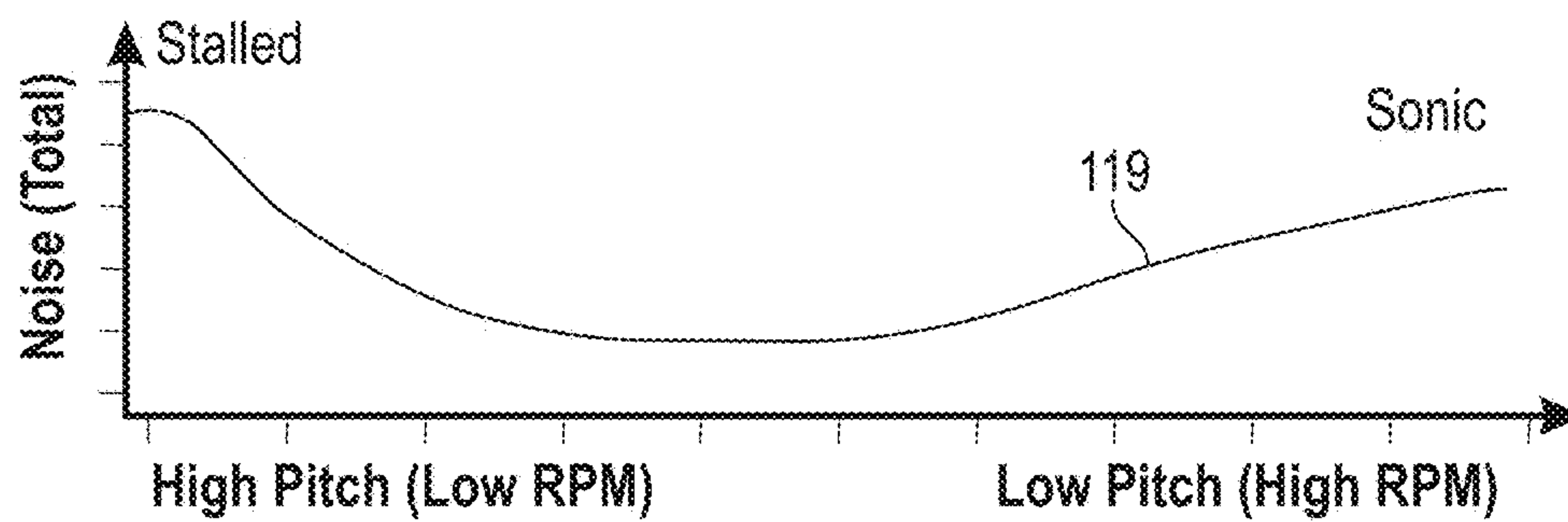


FIG. 3

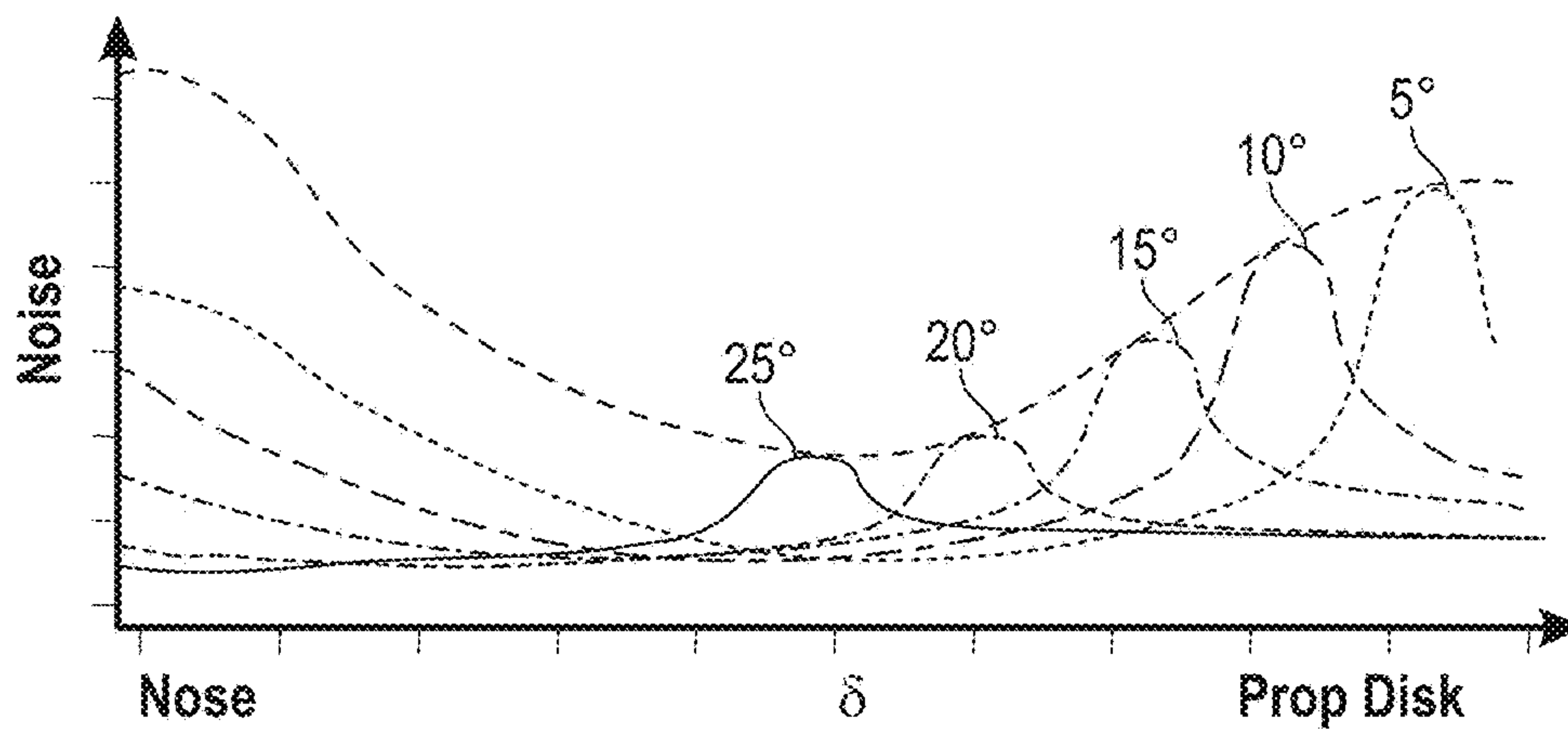


FIG. 4

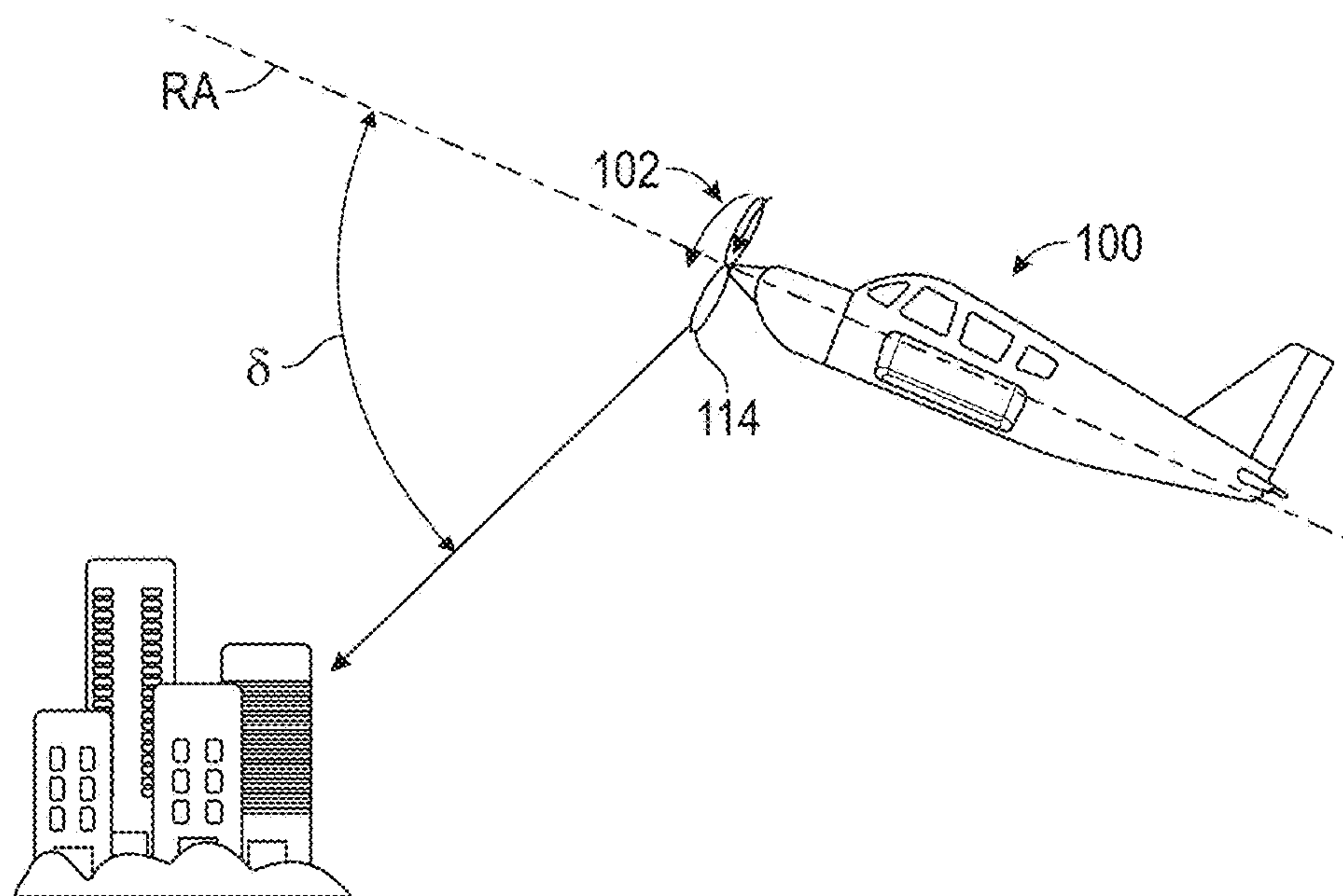


FIG. 5

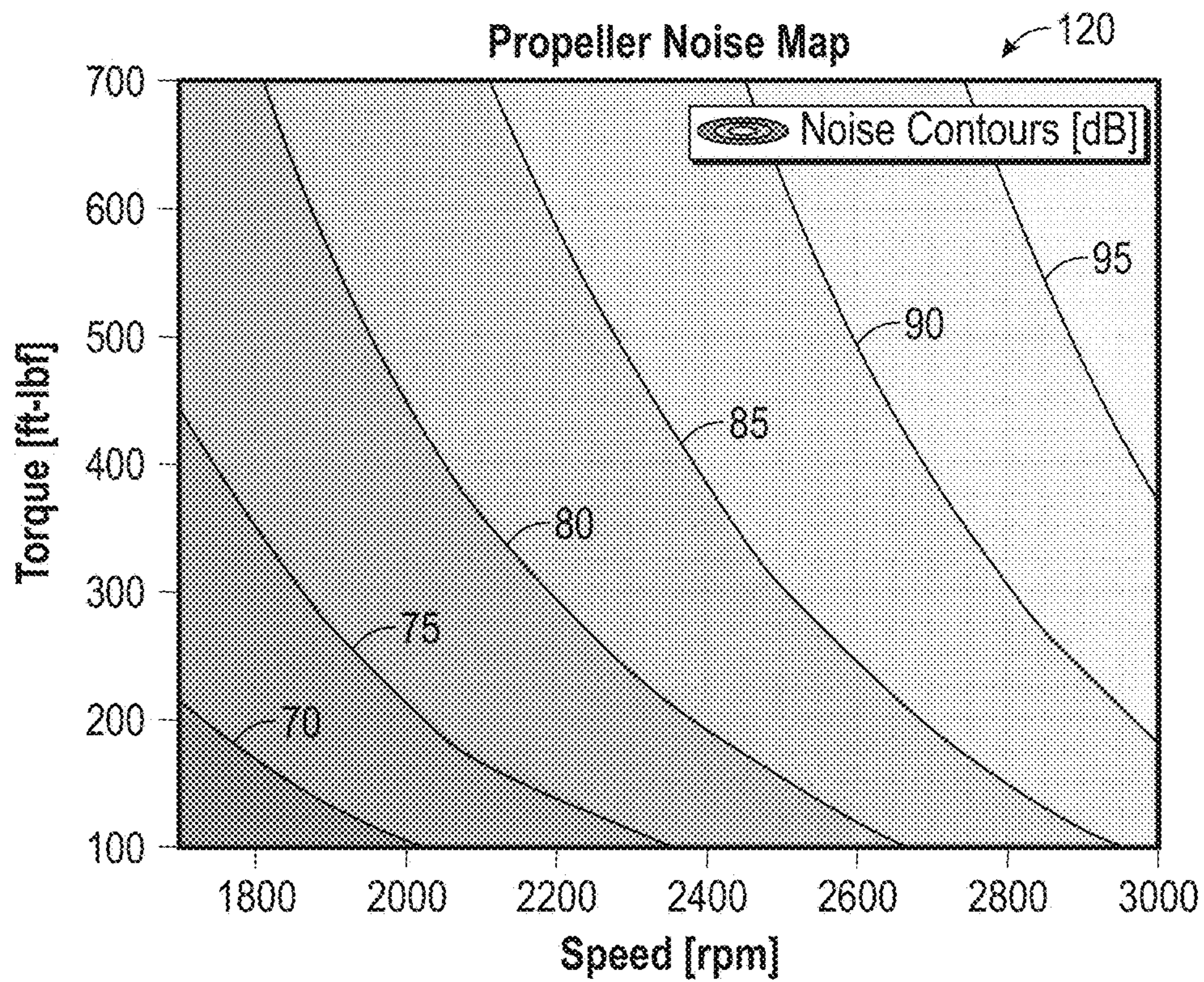


FIG. 6

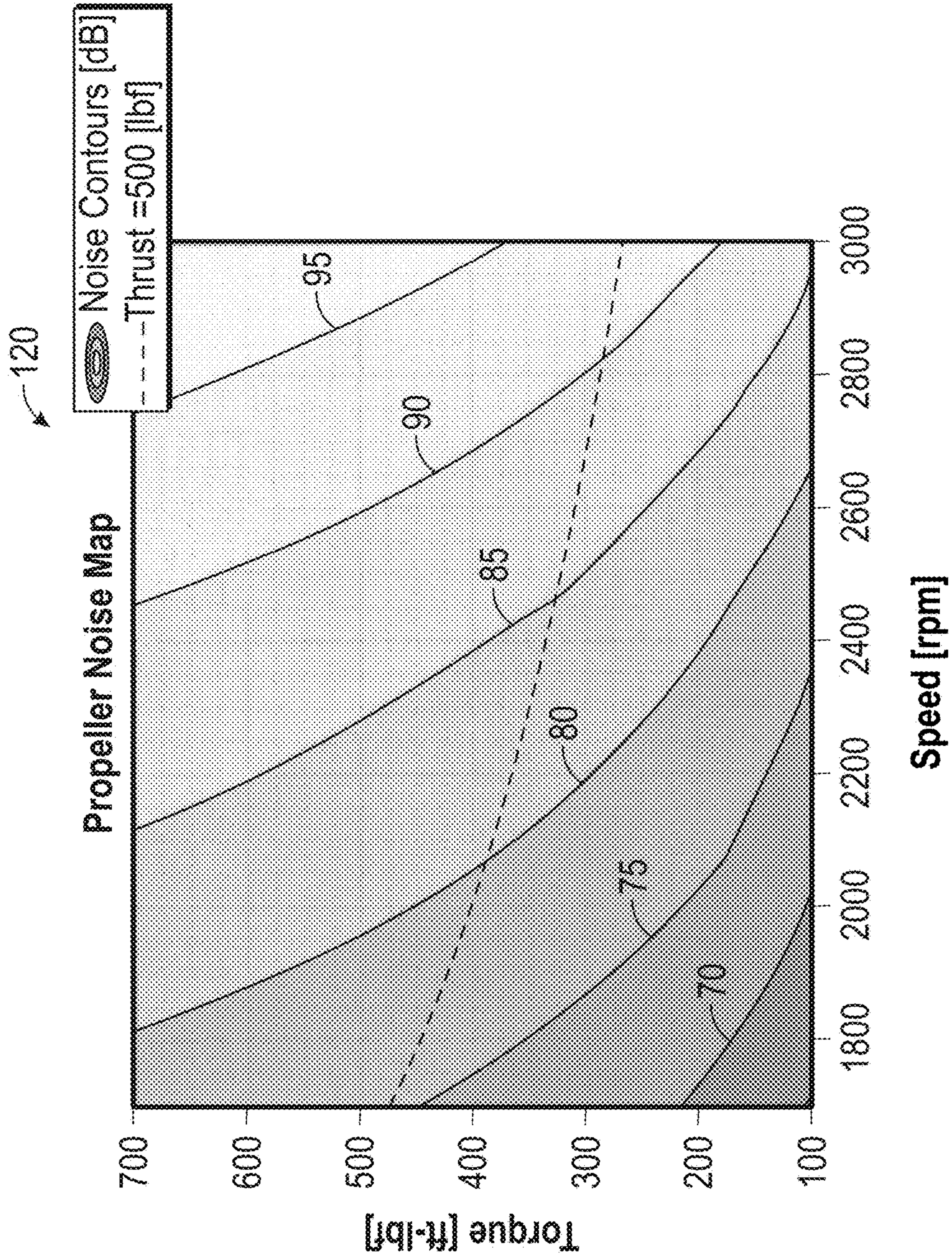


FIG. 7

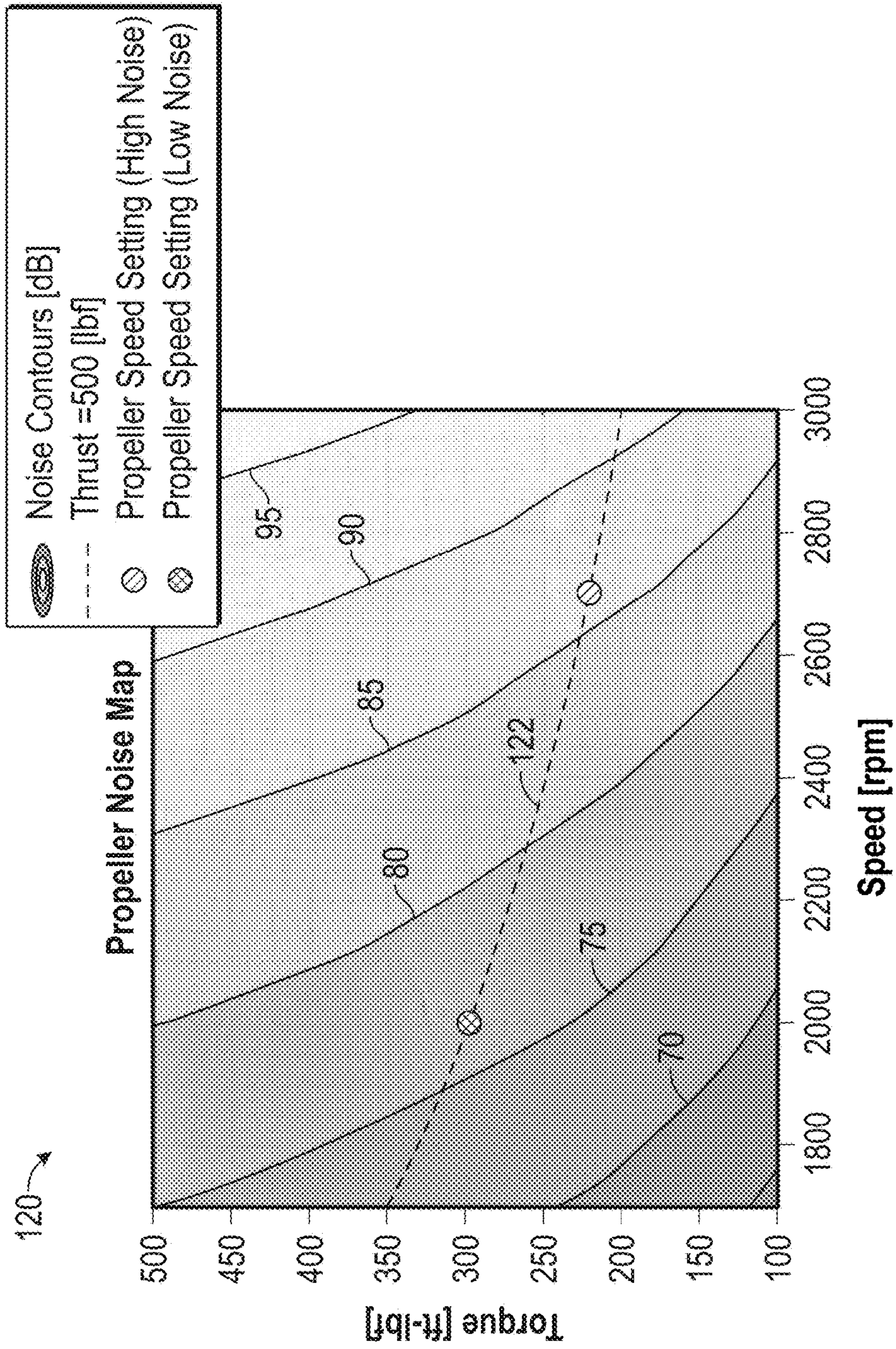


FIG. 8

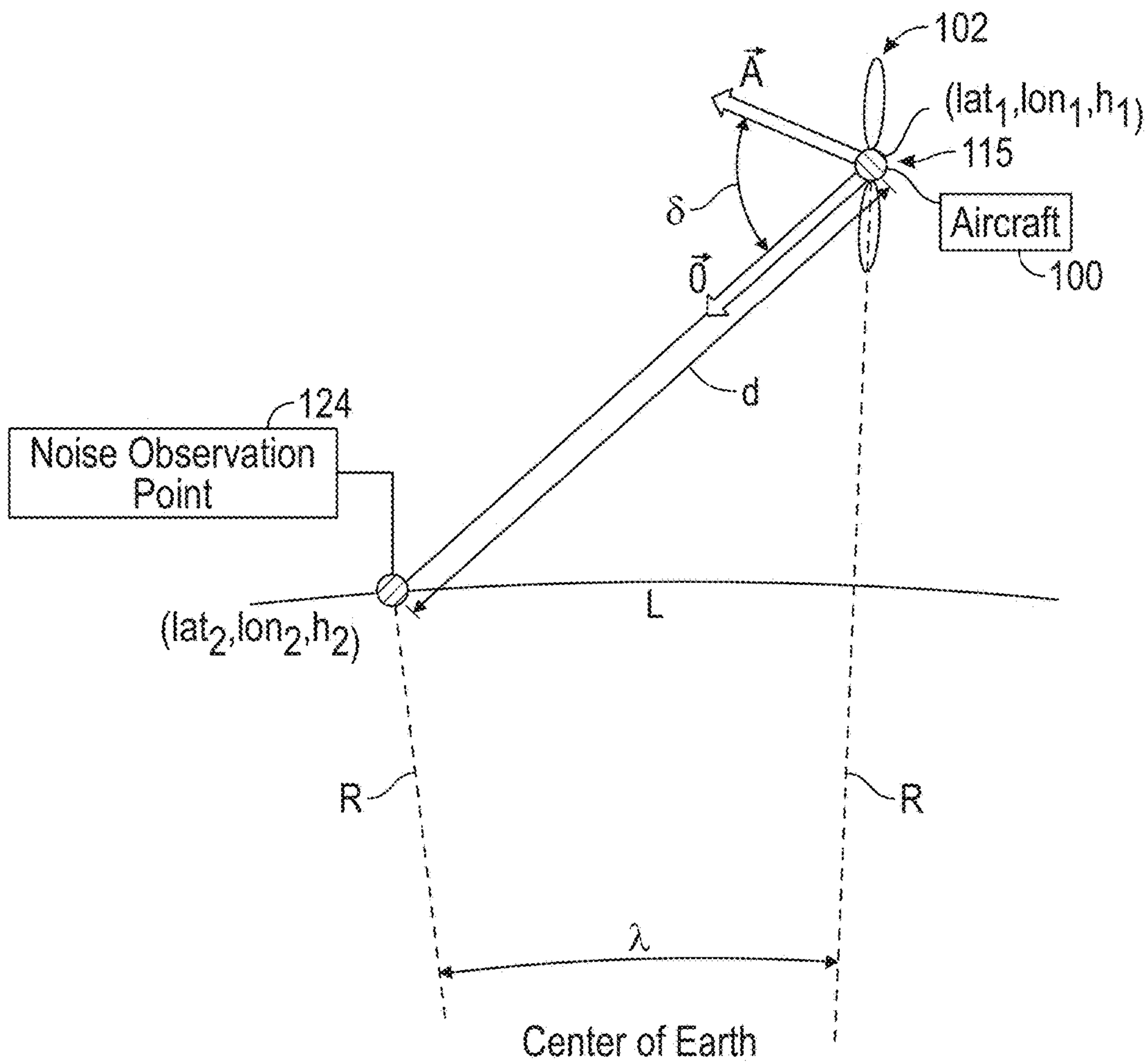


FIG. 9

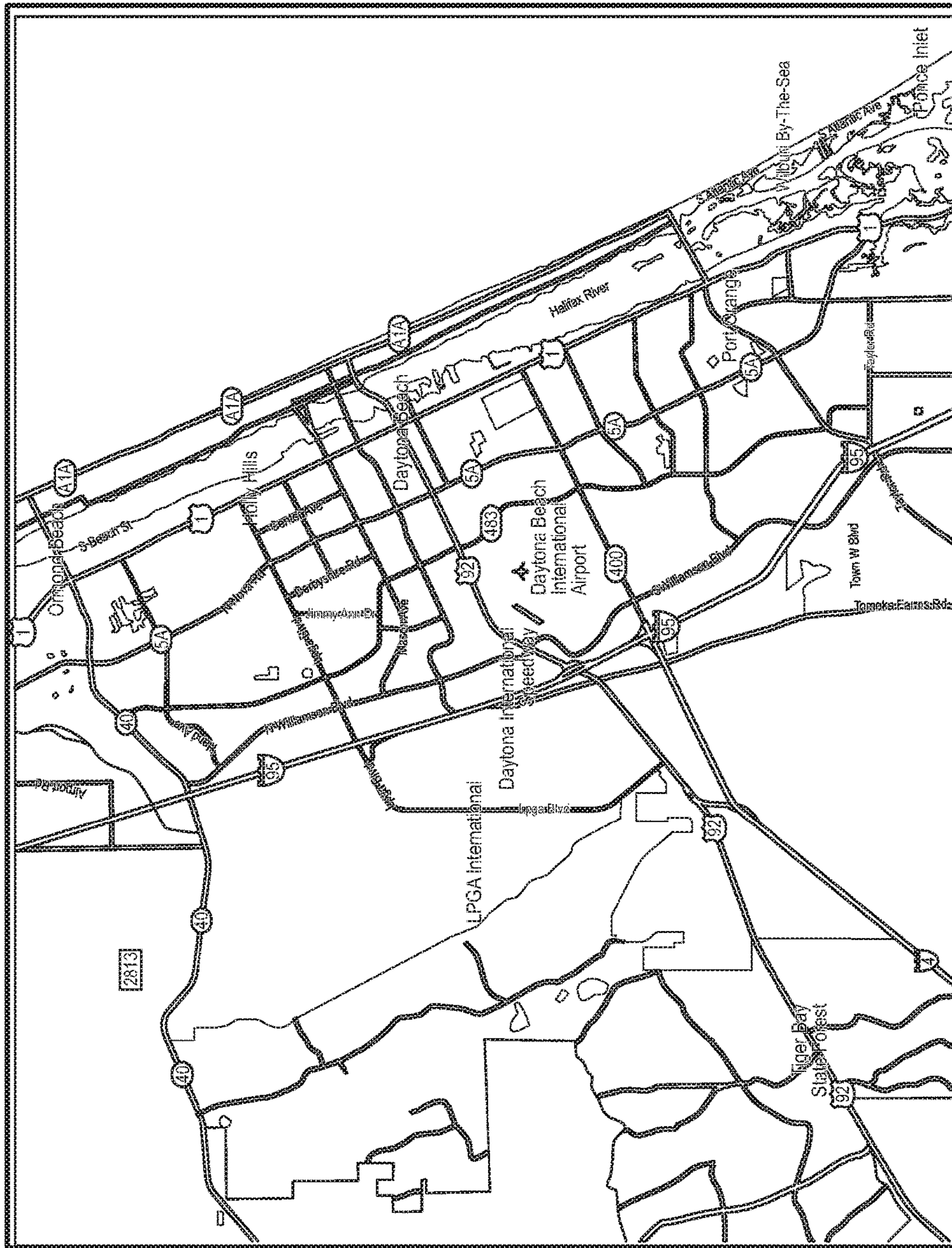


FIG. 10A

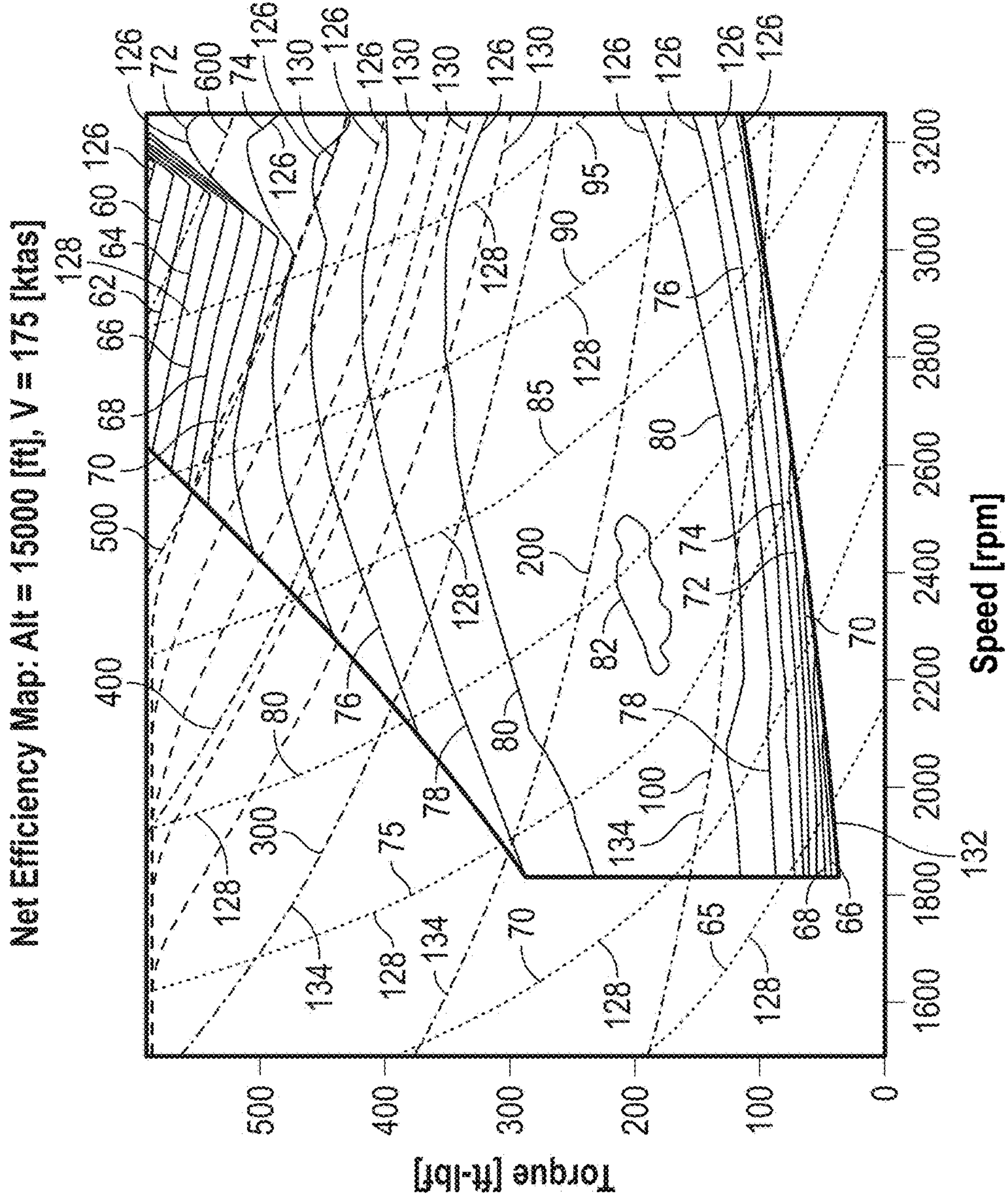


FIG. 11

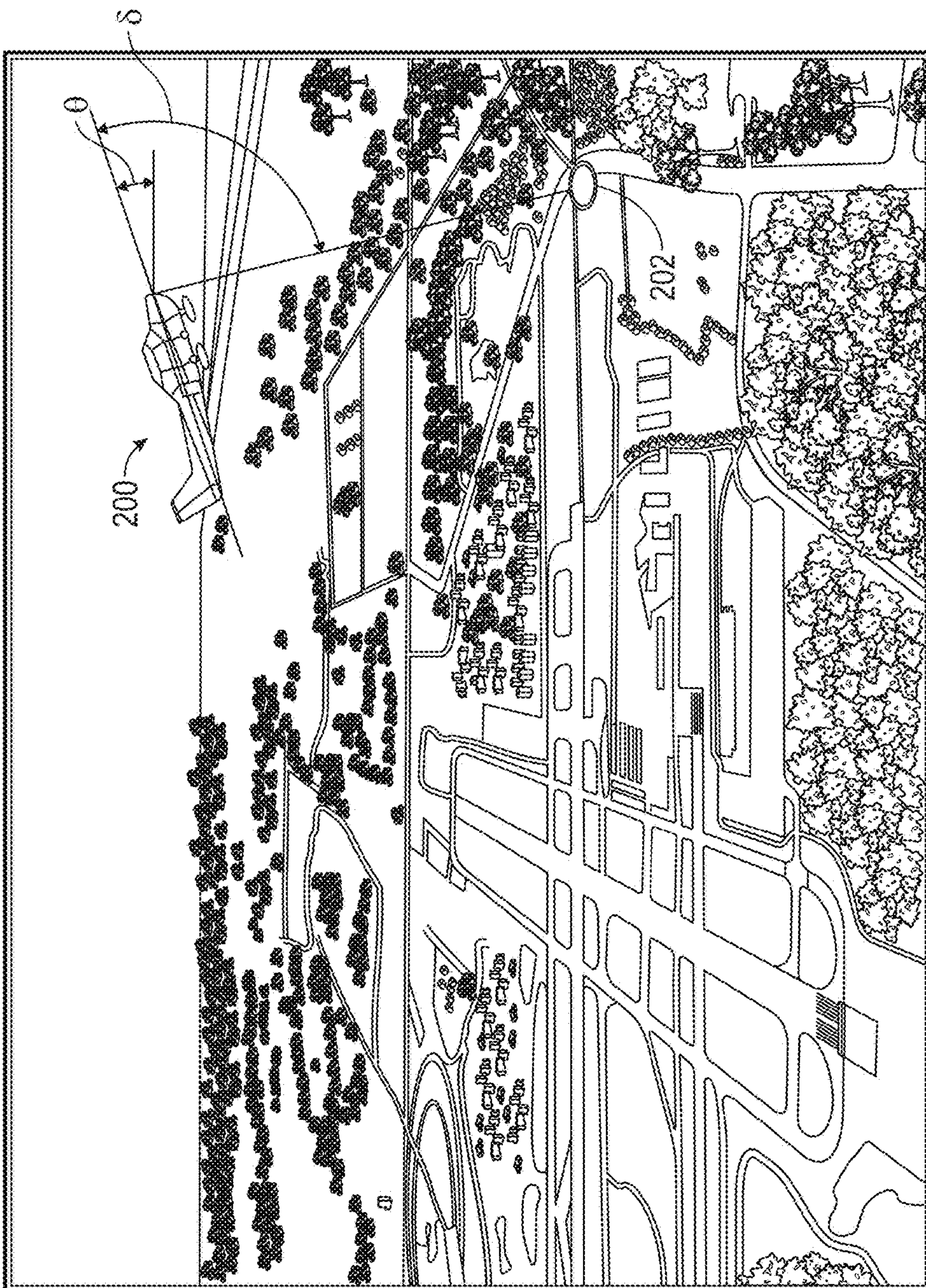


FIG. 12

**SYSTEMS AND METHODS FOR NOISE
MITIGATION FOR HYBRID AND ELECTRIC
AIRCRAFT**

CROSS REFERENCE TO RELATED
APPLICATIONS

[0001] The present application claims the benefit of previously filed, U.S. Provisional Patent Application No. 62/504,169, filed May 10, 2017.

INCORPORATION BY REFERENCE

[0002] The specification and drawings of U.S. Provisional Patent Application No. 62/504,169, filed May 10, 2017, are specifically incorporated herein by reference as if set forth in their entirety.

TECHNICAL FIELD

[0003] The present disclosure is directed to hybrid and electric aircraft and, in particular, to systems and methods for mitigation of noise from the operation of such aircraft.

BACKGROUND

[0004] Hybrid and electric aircraft propulsion technologies have the capability of reducing carbon emissions, fossil fuel usage, operating cost, and the noise footprint of modern aircraft. Aircraft noise is not a trivial problem, however, and is expected to be a major design issue for hybrid and electric aircraft. For example, when balanced against propulsion and/or power requirements, such as the need to maintain constant thrust for flight and noise created by an aircraft's propeller as a function of RPM, blade pitch, air speed, and other factors. Accordingly, the present disclosure addresses the foregoing and other related and unrelated issues in the art.

SUMMARY

[0005] Briefly described, in one aspect, the present disclosure is directed to systems and methods for mitigating noise generated by hybrid and electric aircraft.

[0006] On one example aspect, an aircraft, such as a hybrid aircraft, will include an aircraft drive or propulsion system that includes an electric motor, and further also can include an internal combustion engine. Alternatively, the aircraft can include an electric motor driven or powered aircraft where the drive system includes an electric motor, without necessarily requiring or having a gas powered or other internal combustion engine, and without departing from the scope of the present disclosure.

[0007] The aircraft further will include one or more rotatable airfoils or blades that are movable or otherwise reconfigurable to alter or control a pitch or angle thereof. In one embodiment, the aircraft can include and be driven by a controllable pitch propeller, which controllable pitch propeller generally will have a plurality of airfoils or blades that are rotatable, pivotable, or otherwise moveable between a plurality of positions to alter the noise footprint of the hybrid and/or electric aircraft on the ground with respect to a driveshaft of the drive system, as needed, while also maintaining a substantially constant thrust and altitude in flight during operation of the electric motor. The aircraft additionally, or in the alternative, can include and be driven by one or more rotors or prop-rotors that have a controllable pitch

or that are otherwise moveable/reconfigurable to change an angle or orientation thereof to allow for the control of noise emitted thereby, without departing from the scope of the present disclosure.

[0008] The aircraft further can include a controller or other suitable mechanism operable to adjust the blades of the propeller between the different positions during flight to vary the propeller blade pitch or angle or rotor/prop-rotor blade pitch or angle. The controller can automatically adjust the blades and/or the controller can facilitate manual adjustment of the blades by a pilot or other operator of the aircraft. Such variation of the blades may be controlled independently from the operation of the engine, to alter or focus a peak noise direction of the noise generated by the blade rotation, while also maintaining substantially constant thrust and a substantially constant airspeed.

[0009] In one aspect, the controller can include programming operable to determine and/or map a distance and azimuth angle between the propeller and an observer, using a series of noise map inputs, including features/configuration information of the propeller or rotor, power, and other factors based on the flight path of the aircraft, such as a determined attitude, azimuth angle, and/or position of the aircraft, to create or generate a noise pattern or map. Noise sensitive areas of the map further can be marked by an index of the relative sensitivity/noise levels versus power settings or speeds of the aircraft.

[0010] The controller can automatically alter the pitch or angle of the blades based at least in part on the generated noise pattern/map, determined noise sensitive areas, and/or other suitable information. In addition, or in the alternative, the controller can be configured to display the noise map on one or more displays of the aircraft, such as on a monitor, heads-up display, instrument, or other gauge on the aircraft's control panel, or through any other suitable display in the cockpit or cabin of the aircraft. This displayed noise map can be used by the pilot, e.g., in an off nominal situation, as a guide for changing blade pitch to reduce or angle aircraft noise over the highly sensitive areas, without altering the flight path or air speed of the aircraft.

[0011] Additionally, a method for mitigating noise footprints of hybrid and/or electric aircraft can include the use of a propulsion system with an electric motor and a controllable pitch propeller. This method can include changing the propeller blade angle independently from the operation of the engine, therefore altering the peak noise direction while maintaining substantially constant thrust and airspeed of the aircraft.

[0012] The method can include determining and/or mapping a distance and azimuth angle between the propeller and an observer based upon an altitude, attitude, and/or position of the aircraft, and applying these results with additional factors or parameters to generate a noise map for the aircraft with noise sensitive areas marked by an index of the relative sensitivity of this specific area.

[0013] The noise map can be used by the aircraft pilot to control variation of the pitch of the aircraft propeller to enable reduction of noise over the highly sensitive areas, without substantially altering the flight path or airspeed of the aircraft.

[0014] With the systems and methods according to principles of the present disclosure, pilots may be allowed to fly over populated or noise sensitive areas, such as national parks, cities, etc., and reduce the noise footprint of the

aircraft as they approach such areas without altering their flight plan or course at the cost of propulsive efficiency. Additionally, a noise sensitivity map can be developed and displayed to provide a visual guide or indication of areas where a pilot would need to adjust flight settings to best comply with noise restrictions, which noise sensitivity map further can be presented to the pilot on the displays of the aircraft.

[0015] Various objects, features, and advantages of the present invention will become apparent to those skilled in the art upon a review of the following detailed description, when taken in conjunction with the accompanying drawings.

BRIEF DESCRIPTION OF THE FIGURES

[0016] The accompanying drawings, which are included to provide a further understanding of the embodiments of the present disclosure, are incorporated in and constitute a part of this specification, illustrate embodiments of the present disclosure, and together with the detailed description, serve to explain the principles of the embodiments discussed herein. No attempt is made to show structural details of this disclosure in more detail than may be necessary for a fundamental understanding of the exemplary embodiments discussed herein and the various ways in which they may be practiced. According to common practice, the various features of the drawings discussed below are not necessarily drawn to scale. Dimensions of various features and elements in the drawings may be expanded or reduced to more clearly illustrate the embodiments of the disclosure.

[0017] FIG. 1 schematically illustrates an example aircraft according to principles of the present disclosure.

[0018] FIG. 2 shows a controllable pitch propeller of the aircraft of FIG. 1 in a high blade pitch position and a low blade pitch position.

[0019] FIG. 3 shows an exemplary curve illustrating aircraft noise at constant thrust according to one aspect of the present disclosure.

[0020] FIG. 4 shows a further exemplary curve illustrating the directional nature of the aircraft noise at constant thrust, as a function of the blade pitch angle, according to one aspect of the present disclosure.

[0021] FIG. 5 shows a representation of an azimuth angle in relation to the aircraft of FIG. 1, during flight.

[0022] FIG. 6 shows an exemplary propeller noise map according to one aspect of the present disclosure.

[0023] FIG. 7 shows the exemplary noise map of FIG. 6, with a constant thrust curve.

[0024] FIG. 8 shows the exemplary noise map of FIG. 6, with a constant thrust curve and high and low propeller speed settings.

[0025] FIG. 9 shows an exemplary representation of noise observation distance and azimuth of an aircraft according to one aspect of the present disclosure.

[0026] FIG. 10A shows a representative geographical map according to one aspect of the present disclosure.

[0027] FIG. 10B shows noise sensitivity regions and applicable indices applied to the geographic map of FIG. 10A.

[0028] FIG. 11 shows a net efficiency propulsive map for an electric motor with a controllable pitch electric propeller according to one aspect of the present disclosure.

[0029] FIG. 12 shows an example aircraft and an on ground marker for use in the system and method of the present disclosure.

DETAILED DESCRIPTION

[0030] FIG. 1 shows an aircraft 100 configured and/or operable to provide noise mitigation in accordance with the principles of the present disclosure. It will be understood that the following description is provided as an enabling teaching of embodiments of this disclosure. Those skilled in the relevant art will recognize that many changes can be made to the embodiments described, while still obtaining the beneficial or desired results. It also will be apparent that some of the desired benefits of the embodiments described can be obtained by selecting some of the features of the embodiments without utilizing other features. Accordingly, those who work in the art will recognize that many modifications and adaptations to the embodiments described are possible and may even be desirable in certain circumstances. Thus, the following description is provided as illustrative of the principles of the embodiments of a system and method for providing noise mitigation for aircraft and not in limitation thereof.

[0031] As shown in FIG. 1, the aircraft 100 includes a forward mounted propeller 102 that is driven by a drive or propulsion system 104. The drive system 104 may include a hybrid propulsion system having one or more electric motors 106, and also can include an internal combustion engine 108, each of the motors being able to be coupled or linked in communication with the propeller 102, such as by a propeller drive shaft 110 that is operatively connected to the aircraft propeller 102, to enable power transfer between the electric motor 106 and/or the internal combustion engine 108 and the propeller 102. The electric motor 106 and/or the internal combustion engine 108 can be connected to the propeller drive shaft 110 or the propeller 102, through one or more gear or pulley assemblies and/or using other suitable drive coupling mechanisms or connecting devices without departing from the scope of the present disclosure.

[0032] The aircraft 100 additionally or in the alternative can include and be driven by one or more rotors or propellers that have a plurality of blades or airfoils with a controllable pitch or that are otherwise moveable/reconfigurable to change an angle or orientation thereof, without departing from the scope of the present disclosure.

[0033] In one example, the hybrid propulsion system 104 further can include one or more mechanisms, such as a clutch or other suitable mechanism or device, that allows for selectively engaging and disengaging the electric motor 106 or the internal combustion engine 108 to the propeller 102, such that for example, the aircraft 100 can operate in a hybrid mode, wherein the propeller 102 is driven by the electric motor 106 and the internal combustion engine 108, an electric mode, wherein the propeller 102 is driven solely by the electric motor with the internal combustion engine decoupled from the propeller; and/or an engine only mode, wherein the propeller 102 is driven only by the engine 108 with the motor 106 decoupled from the propeller. Exemplary assemblies for hybrid aircraft are shown and described in U.S. Pat. Nos. 9,102,326 and 9,254,992, which are incorporated by reference herein as if set forth in their entireties.

[0034] In another example, the electric motor 106 and the internal combustion engine 108 can be arranged in a serial configuration, with the internal combustion engine 108 operatively coupled to the electric motor 106 or a power source 113 (i.e., battery or batteries) thereof and with the internal combustion engine 108 principally serving only to

generate electricity to power the electric motor **106** and/or recharge the power source **113** supplying power to the electric motor **106**.

[0035] In yet another example, the aircraft **100** can comprise an electric powered aircraft that can omit the internal combustion engine **108**, and with the aircraft propeller **102** being powered by one or more electric motors **106**. Such electric motor(s) can be connected to the propeller **102** by one or more gear or pulley assemblies, or other suitable devices/mechanisms.

[0036] With embodiments of the present disclosure, an example gear or pulley ratio between the propeller and the electric motor can be 1:1, though any suitable ratio is possible, e.g., 1.5:1, 2:1, 3:1, 1:3, 1:2, 1:1.5 etc., without departing from the present disclosure. The electric motor also can be directly connected to the propeller **102**, for example, with the propeller attached to a driveshaft of the electric motor, without departing from the present disclosure.

[0037] The electric motor **106** generally uses electricity as its main power source. For example, the electric motor **106** can be in communication with one or more power sources **113**, such as one or more batteries, and/or other suitable power generating devices. The internal combustion engine **108** further can be connected to a generator so as to enable recharging of the power source **113**, during flight. The use of electric motors expands the capabilities and can offer benefits that gas engines cannot, as electric motors are inherently quieter, highly efficient, produce no carbon emissions, and can have fewer moving parts, thus reducing operating costs and maintenance. By way of illustration and example, the electric motor **106** can include a YASA 750 by YASA Ltd. of Kidlington, UK, and it will be understood that other suitable electric motors capable of delivering several hundred horsepower, with a high specific torque power, such as electric motors suitable for light weight aircraft operations also can be used, without departing from the present disclosure. Further examples of electric motors can include an AF—130, AF—140, AF—230, or AF—240 electric motor by GKN, plc of Worcestershire, UK; an HVH410-075 or HVH410-150 electric motor by Remy International, Inc. of Pendleton, Ind.; and/or a PowerPhase HD 220 or PowerPhase HD 250 electric motor by UQM Technologies of Longmont, Colo.

[0038] The propeller **102** generally will include a plurality of blades **114** arranged about a hub **115**. Each of the blades **114** are rotatable about a rotational axis RA extending through the hub **115** and along the drive/propeller shaft **110** of the aircraft to provide thrust for the aircraft **100** (FIGS. 1-2, and 5). For example, FIGS. 1-2 show the propeller **102** including two blades **114**. However, the propeller **102** also can be otherwise configured, e.g., with three or four blades, without departing from the scope of the present disclosure. In one embodiment, the propeller **102** can have a span, diameter, or overall length between the ends of the propeller blades of approximately 6 ft., though other spans, diameters, or lengths are possible without departing from the scope of the present disclosure, such as a diameter in a range from about 5 ft. to about 25 ft.

[0039] As generally shown in FIGS. 1 and 2, the propeller **102** will comprise a controllable pitch propeller, which can include a multi-blade propeller by an MT-Propeller Entwicklung of Atting, Del., and which will be operable to enable the blades **114** of the propeller to be pivoted, rotated,

or otherwise moved about a pitch axis PA and in relation to the rotational axis RA to change or vary the blade pitch or angle of the blades **114**. As, for example, shown in FIGS. 1 and 2, the pitch axis PA can be transverse or oblique to the rotational axis RA, as shown.

[0040] In addition, the aircraft **100** includes a controller **112** generally located within the cockpit or other suitable location of the aircraft, and in communication with and be operable to control the adjustment or variation of the controllable pitch propeller **102**, enabling the pilot or co-pilot to change the pitch of the propeller blades by movement of the propeller blades between a plurality of positions, such as a high blade pitch position **116** and a low blade pitch position **118** (FIG. 2). In some embodiments, driver(s) or actuators controlling variation of the pitch of the blades of the propeller **102** can be powered by operation of the electric motor **106** of the aircraft, or by use of other suitable devices, such as an additional electric motor(s) or other suitable actuator(s), for example a hydraulic actuator. Accordingly, during operation of the aircraft in a gas engine mode, the controller **112** or a pilot also could change the angle or pitch of the propeller blades **114** in flight to alter torque and aircraft speed to help improve performance over a range of airspeeds in addition to helping provide reduction of propeller generated noise. The propeller **102** can similarly be operated in a hybrid or electric mode, however, without the torque and motor speed restriction.

[0041] The combination of an electric propulsive motor **106** and the controllable pitch propeller **102** further can provide an additional degree of freedom beyond classical internal combustion aircraft engines. For example, unlike classical engines, where the engine speed and torque curves generally are fixed, this combination can vary torque independent of motor speed, and can allow for the maintenance of substantially constant thrust for the aircraft while traveling at multiple engine speeds by varying blade pitch angle and therefore torque. The maintenance of substantially constant thrust further can be provided substantially without acceleration or performance changes to the aircraft, while using such a methodology to mitigate noise.

[0042] When the internal combustion engine **108** is operative, both the propeller and engine will generate noise. For example, at lower operating engine speeds, the engine dominates the noise output, while at higher operating speeds, the propeller will begin to dominate the perceived noise levels. In the hybrid and/or electric modes, or with the electric aircraft making use of an electric motor and without an internal combustion engine, generally, only have propeller noise considerations will be an issue, as the electric motor is virtually silent in comparison to the noise generated by the propeller for most operating speeds. To address such propeller noise, the pitch or position of the blades **114** of the propeller **102** can be altered to vary or mitigate the noise footprint on the ground and in flight as discussed below.

[0043] FIG. 3 shows an exemplary curve **119** illustrating noise signature for an aircraft at a constant thrust. The noise coming from the propeller **102**, as detected/experienced at some position spaced from the propeller **102** may be represented as a function of its speed, blade pitch (which produces a specific torque), true airspeed, and distance and position relative to the rotational axis of the propeller. The total magnitude of the noise generated by the propeller **102** at constant thrust could be generalized by high noise at high rotational speeds due to sonic tip speeds. High noise can also

be generated by reducing rotational speed at constant thrust while yielding a blade pitch angle that produces separation (i.e., a stall condition). Between these two extremes is a noise minimum, as generally shown in FIG. 3.

[0044] Accordingly, noise can be represented as a function of rotational speed and blade angle. The noise, however, generally does not radiate out equally as a point source. FIG. 4 further shows that the noise from the propeller is directional, and as a result, there are directions that experience a greater magnitude of noise than others. The direction of maximum noise may be represented as a function of true airspeed, rotational speed, and blade angle.

[0045] As generally shown in FIG. 5, it is also possible to define an azimuth angle, δ from the rotational axis RA of the propeller or from the nose, zero degrees, and proceeding to approximately 90 degrees, the propeller disk plane. The azimuth angle, however, can be in a range from approximately 0 degrees to approximately 180 degrees, and further can be defined opposite the direction of the nose, e.g., behind the aircraft, or to have any other suitable arrangement/configuration, without departing from the scope of the present disclosure.

[0046] With the combination of a controllable pitch propeller 102 and an electric propulsive motor 106 according to the present disclosure, substantially constant thrust can be maintained by the controlling blade pitch to move the point of maximum noise to develop a graphical representation of the noise magnitudes generated by the propeller at varying pitches.

[0047] As generally shown in FIGS. 6-8, a noise map 120 and arbitrary constant thrust curve 122 further can be generated in terms of propeller torque and rotational speed. Such maps can also show high and low noise propeller speed settings (FIG. 8). For example, using defined inputs, e.g., inputs as shown in Table 1 below, the noise map can be generated, which map also can be displayed in a similar common format with electric motor efficiency. In one example, the Hamilton Standard can be used for empirical noise computation. Table 1 provides exemplary inputs to generate an exemplary noise map.

TABLE 1

Input	Value	Units
Propeller Diameter	6	ft
Number of Blades	2	—
Number of Propellers	1	—
Power Input per Propeller	*****	Hp
Flight Speed	100	KTAS
Ambient Temperature	59	° F.
Azimuth Angle	105	deg
Distance at which noise is to be defined	1000	Ft

[0048] The value of the power input per propeller may be arbitrary and/or can be varied due to the nature of a torque versus rotational speed map.

[0049] The noise map 120 may be generated for all power settings within a defined envelope where a defined noise level can be computed, and each power setting may correspond to a single thrust value, allowing an arbitrary thrust value to be chosen for this calculation. For example, 500 lbf of thrust can be used as shown in FIGS. 7 and 8.

[0050] With a defined noise map, and with a selected or known cruising thrust force, varying propeller blade angles (or the rotor/prop-rotor blade angles) can be determined for

minimizing noise at differing locations, altitudes and speeds during flight of the aircraft. These noise maps 120 can be generated by the aircraft's controller 112 and the aircraft's controller 112 can display the noise maps 120 on one or more displays 121 arranged within the aircraft's cockpit. The present disclosure is not so limited, however, and the noise map(s) may be generated off-board using a computer or other suitable device, such as at a flight control center, and can be communicated to the aircraft before or during flight.

[0051] Accordingly, based on these generated noise maps 120, the aircraft controller 112 can maintain constant thrust at multiple engine or motor speeds and can control the pitch of the propeller by varying propeller blade 102 angles (or the rotor/prop-rotor blade angles) and consequently produced torque, to allow the aircraft controller 112 to maintain a substantially constant airspeed with the ability to vary the propeller noise footprint. Additionally, or in the alternative, the pilot or other operator of the aircraft can control/alter the propeller blade 114 angle/pitch, thrust, and/or torque based on the generated noise map 120 to minimize noise over selected areas.

[0052] In one example, a map of noise pertinent variables such as propeller rotational speed, blade pitch, angle of attack, and true airspeed also can be generated for each aircraft propulsion system in use thereof. A map of noise sensitive areas also can be generated on the surface of the Earth in terms of latitude, longitude, and a noise sensitivity index. These also can be generated by the controller and displayed on the display, or alternatively, by an off-board computer pre-flight or during flight, such as at the flight control center.

[0053] Propeller noise may not radiate out equally as a point source, and some directions may be noisier than others. With a map of noise directionality and a map of noise sensitive areas in a North-East-Down (NED or NEU) system, ground noise may be predicted by mapping this through the attitude (Euler angles) and the position of the aircraft 100, such as from a position or locating device, e.g., a IMU or GPS in communication with the aircraft controller.

[0054] Using the anticipated flight path of the aircraft, the noise may be mitigated through noise sensitive areas by changing the blade pitch at constant thrust throughout the flight, e.g., by the pilot or automatically by the controller. For example, an optimization algorithm could be used knowing, for example, the noise map, geographical map, and a state vector of the aircraft. The maximum noise position of the aircraft may be moved rapidly or jumped across noise sensitive areas and left to linger in non-sensitive areas.

[0055] The example embodiment of an electric motor 106 and controllable pitch electric propeller 102 can thereby minimize noise in noise sensitive areas, while substantially avoiding potentially compromising performance of the aircraft or providing substantial discomfort to the passengers and crew.

[0056] As further generally shown in FIG. 9, perceived noise can be represented as a function of the distance from the propeller 102 and azimuth angle δ , relative to the propeller axis in the forward direction. It may be desirable to be able to define the distance and azimuth based on the aircraft's position and attitude with respect to an observer or measurement device on the ground, e.g., noise observation or reference point 124. Position can be defined in terms of latitude, longitude, and altitude, while the attitude is the

pitch angle, θ , bank angle, ϕ and heading, ψ . The bank angle ϕ can be assumed to rotate about a longitudinal axis of the aircraft or the rotational axis RA, which may be parallel to the longitudinal axis.

[0057] The distance or arc length, L , between a pair of latitudes and longitudes can be computed, for example, using the Haversine formula as shown below:

$$a = \sin^2\left(\frac{lat_2 - lat_1}{2}\right) + \cos(lat_1)\cos(lat_2)\sin^2\left(\frac{lon_2 - lon_1}{2}\right) \quad (1)$$

$$b = \text{atan2}(\sqrt{a}, \sqrt{1-a}) \quad (2)$$

$$L = 2R * b \quad (3)$$

[0058] The distance defined does not yet account for altitude difference between the aircraft and observer position, and can be computed as follows where R is the radius of the Earth, and A is the central angle of the Earth:

$$\lambda = \frac{L}{R} \frac{360}{2\pi} \quad (4)$$

$$d = \sqrt{(R+h_1)^2 + (R+h_2)^2 - 2(R+h_1)(R+h_2)\cos(\lambda)} \quad (5)$$

[0059] The azimuth angle δ can then be computed to complete the function. Using the aircraft position as the origin, two 3D vectors can be generated and/or graphically represented, one pointing towards the observer, and the other in the airplane's direction of travel. The angle between these vectors is the azimuth angle and is computed as follows:

$$\delta = \arccos\left(\frac{\vec{O} \cdot \vec{A}}{\|\vec{O}\| \|\vec{A}\|}\right) \quad (6)$$

Where:

$$\vec{O} = \langle dlat, dlon, dh \rangle \quad (7)$$

$$\vec{A} = \langle \cos(\theta)\cos(\psi), \cos(\theta)\sin(\psi), \sin(\theta) \rangle \quad (8)$$

[0060] The latitude and longitude terms within \vec{O} can be computed, for example, using the Haversine formula, without any altitude correction, since the goal is to define component vectors in NED. The first term in each vector represents the 'North' component, the second term 'East', and the third term 'Down'. To compute $dlat$, a constant longitude can be applied to the Haversine formula to determine the distance between the two latitude lines. To compute $dlon$, constant latitude can be applied to the Haversine formula to determine the distance between the two longitude lines. Finally, to compute dh , the two altitudes that are used for the aircraft and observer may be subtracted. If the aircraft is north or east of the observer, a negative correction factor is required to compute the correct azimuth angle. If the aircraft is north of the observer, $dlat = -dlat$, and if the aircraft is east of the observer, $dlon = -dlon$. This correction only applies if the variable assignment shown in FIG. 9 is used where position A is the aircraft and position B is the observer.

[0061] A noise sensitivity index further can be rated on a scale of 1 to 10, where 1 is defined as the least sensitive and 10 is the most sensitive to noise. This index comes into play when defining noise sensitive areas over a specified geographic region of the Earth. For example, the ocean would likely have a noise sensitivity index of 1, while a major city would likely have a sensitivity index of 10.

[0062] A sample noise map combined with or overlaid on a geographical map can be generated and superimposed over a selected region. For example, FIGS. 10A and 10B show a map of the Daytona Beach, Fla. region, with noise sensitivity areas generated and imposed on the surface of the Earth, e.g., as shown in FIG. 10A. Noise sensitivity regions and applicable indices also can be provided as shown on the map of FIG. 10B. Such combined sample noise geographical maps can be generated by the controller 112 and displayed on the display in the cockpit, though such map can also be generated off-board the aircraft, such as at a flight control center, without departing from the present disclosure.

[0063] With determined or known sensitivity zones and corresponding indices, the controller 112 can automatically alter to minimize or produce minimal noise over specific regions, e.g., a region with an index of 9, and generally can employ any blade pitch or angle while over the region with an index of 1. Additionally, or in the alternative, a pilot or other operator of the aircraft could manually alter the blade pitch or angle based on the region over which the aircraft 100 is traveling, the sensitivity zones, and/or corresponding indices. This allows for reduction in noise over the primary populated area and includes transition zones so the aircraft can have reduced noise when approaching the high sensitivity zones.

[0064] FIG. 11 shows a propulsive map developed for a YASA 750 electric motor with a controllable pitch electric propeller, such as an MT-Propeller. In FIG. 11, contour lines 126 are lines of constant propulsive efficiency in percent. Dotted lines 128 are lines of constant, Hamilton-Standard, far field noise in dBA. The dashed lines 130 are lines of minimum voltage on the electric motor and represent the envelope. The solid line 132 is the envelope for high fidelity propeller data. The dot-dash lines 134 are lines of constant thrust. This is data for the HK-36 "Spirit of St. Louis" configuration as it exists right now in EFRC. In a hybrid-electric application, any area can be chosen/selected on lines 134 to facilitate active optimization of far field noise emissions, propulsive efficiency or a combination of both. This can be done at constant airspeed. This is an algorithm for active ground (far field) noise mitigation.

[0065] In addition, a method for mitigating noise footprints of hybrid and/or electric aircraft can be provided, which method can include providing a propulsion system with electric motor and an electric controllable pitch propeller. This method further can include changing the propeller blade angle independently from the engine, therefore altering the peak noise direction while maintaining constant thrust and airspeed. The method further can include mapping a distance and azimuth angle between the propeller and an observer by mapping an attitude and/or position of the aircraft, and applying these results to a noise map with noise sensitive areas marked by an index of the relative sensitivity of this specific area, to facilitate reducing noise over the highly sensitive areas, without altering the flight path or airspeed of the aircraft.

Example

[0066] The following example demonstrates low or high noise during a climb-out from Daytona Beach International Airport using data for a Cessna 172S (200 in FIG. 12) at approximately 500 feet above ground level. While a Cessna 172S does not have an electric motor or a controllable pitch propeller, this example assumes that this is the case, while maintaining propeller geometry and performance characteristics. It is also assumed that the gearing between the motor and propeller is 1:1.

[0067] FIG. 12 shows the ground layout area of the east side of Daytona Beach International Airport.

TABLE 2

Input	Value	Units
Propeller Diameter	6.33	Ft
Number of Blades	2	—
Number of Propellers	1	—
Power Input per Propeller	180	Hp
Flight Speed	74	KTAS
Ambient Temperature	59	° F.
Aircraft		
Latitude	29.185803	Deg
Longitude	-81.045096	
Pitch Angle	10	
Bank Angle	0	
Heading	70	
Altitude	500	Ft
Observer		
Latitude	29.186702	Deg
Longitude	-81.042904	
Altitude	32	Ft

[0068] FIG. 12 shows a marker 202 located on the ground as a reference point for the observer (where the noise is measured). The latitude, longitude, and altitude above mean sea level are obtained using Google Earth.

[0069] The process described above was used to determine the distance between the aircraft and the observer as well as the azimuth angle Earth's radius, R, is assumed to be 20902232 ft:

$$a = \sin^2\left(\frac{8.99e^{-4}}{2}\right) + \cos(29.185803)\cos(29.186702)\sin^2\left(\frac{0.0022}{2}\right) \quad (9)$$

$$= 2.789e^{-10}$$

$$b = \text{atan2}(\sqrt{2.789e^{-10}}, \sqrt{1 - 2.789e^{-10}}), \quad (10)$$

$$= 1.67e^{-5}$$

$$L = 2(20902232) * 1.67e^{-5} \quad (11)$$

$$= 771.34 \text{ ft}$$

$$\lambda = \frac{771.34}{20902232} \frac{360}{2\pi} \quad (12)$$

$$= 0.0021 \text{ deg}$$

$$d^2 = (20902232 + 500)^2 + (20902232 + 32)^2 - \quad (13)$$

$$2(20902232 + 500)(20902232 + 32)(\cos(0.0021))$$

$$= 8.14e^5$$

$$d = \sqrt{8.14e^5}$$

$$= 902.22 \text{ ft}$$

[0070] Azimuth angle can now be computed:

$$\vec{O} = \langle dlat, dlon, dh \rangle \quad (14)$$

$$= \langle 327.97, 698.15, -468 \rangle$$

$$\vec{A} = \langle \cos(10)\cos(70), \cos(10)\sin(70), \sin(10) \rangle \quad (15)$$

$$= \langle 0.3368, 0.9254, 0.1736 \rangle$$

$$\delta = \arccos\left(\frac{\langle 327.97, 698.15, -468 \rangle \cdot \langle 0.3368, 0.9254, 0.1736 \rangle}{(902.22)(1)}\right) \quad (16)$$

$$= 41.54 \text{ deg}$$

[0071] A noise map can now be generated for this flight condition.

[0072] Table 3 summarizes the results of this plot. 500 lbf of thrust was selected arbitrarily and does not necessarily represent the actual value of thrust produced in the given flight condition.

TABLE 3

Parameter	High Noise	Low Noise	Units
Propeller Rotational Speed	2700	2000	Rpm
Propeller Torque	220	300	ft-lbf
Propeller Noise	86.1	76.4	dB
Thrust	500	500	lbf

[0073] The measurement can be either 86.1 dB or 76.4 dB depending on the propeller setting. Both of these are achievable at a single point with constant thrust and airspeed due to the assumed electric motor and controllable pitch propeller combination. If the noise sensitivity index is high, like that of FIG. 10B, the lower noise value would be desired.

[0074] The foregoing description generally illustrates and describes various embodiments of the present invention. It will, however, be understood by those skilled in the art that various changes and modifications can be made to the above-discussed construction of the present invention without departing from the spirit and scope of the invention as disclosed herein, and that it is intended that all matter contained in the above description or shown in the accompanying drawings shall be interpreted as being illustrative, and not to be taken in a limiting sense. Furthermore, the scope of the present disclosure shall be construed to cover various modifications, combinations, additions, alterations, etc., above and to the above-described embodiments, which shall be considered to be within the scope of the present invention. Accordingly, various features and characteristics of the present invention as discussed herein may be selectively interchanged and applied to other illustrated and non-illustrated embodiments of the invention, and numerous variations, modifications, and additions further can be made thereto without departing from the spirit and scope of the present invention as set forth in the appended claims.

What is claimed is:

1. An aircraft, comprising:

a controllable pitch propeller or rotor comprising a plurality of blades movable about at least one axis to vary a blade pitch thereof;

a drive system having a drive shaft and operable to drive rotation of the plurality of propeller blades with respect to the drive shaft to provide thrust for propulsion of the aircraft; and

- a controller in communication with the drive system and operable to rotate the plurality of blades to selectively vary the blade pitch of the plurality of blades to alter and/or focus at least one aspect of propeller generated noise of the aircraft, while maintaining a substantially constant thrust, a substantially constant altitude, and/or a substantially constant airspeed of the aircraft.
2. The aircraft of claim 1, wherein the drive system comprises an electric motor.
3. The aircraft of claim 1, wherein the drive system comprises an electric motor and an internal combustion engine.
4. The aircraft of claim 3, wherein the electric motor and internal combustion engine are arranged in a serial configuration with the internal combustion engine generating electrical power for the electric motor and with the electric motor coupled to and driving the propeller or rotor.
5. The aircraft of claim 1, wherein the blades are rotatable between a plurality of positions, including a high blade pitch position and a low blade pitch position.
6. The aircraft of claim 1, further comprising one or more displays, and wherein the controller is operable to generate at least one noise map, and display the at least one noise map on the one or more displays of the aircraft.
7. The aircraft of claim 6, wherein the at least one noise map comprises a geographic map with noise sensitive areas or zones displayed thereon, and wherein noise of the aircraft is mitigated as the aircraft passes through or near the noise sensitive areas or zones by changing the blade pitch at a constant thrust of the aircraft throughout flight of the aircraft.
8. The aircraft of claim 7, wherein the noise sensitive areas or zones are defined using a noise sensitivity index.
9. A hybrid aircraft, comprising:
 a controllable pitch propeller assembly comprising a hub and a plurality of propeller blades arranged about the hub, wherein the plurality of propeller blades are rotatable about a rotational axis extending through the hub to provide thrust for propulsion of the hybrid aircraft, and are pivotable about a transverse axis transverse to the rotational axis of the aircraft to vary a propeller blade angle of the plurality of propeller blades in relation thereto;
 a drive system comprising a propeller shaft coupled to the propeller, and an internal combustion engine and an electric motor that are selectively engagable and disengagable with the propeller shaft to drive rotation thereof; and
 a controller in communication with the drive system and operable to vary the propeller blade angle of the propeller blades to alter a noise footprint of the hybrid aircraft, while maintaining a substantially constant

- thrust, a substantially constant altitude, and/or a substantially constant airspeed of the hybrid aircraft in flight.
10. The hybrid aircraft of claim 9, further comprising a power source in communication with the electric motor and operable to provide power thereto, and wherein the internal combustion engine is operatively coupled to the power source and configured to recharge the power source during flight.
11. The hybrid aircraft of claim 9, further comprising one or more displays, and wherein the controller is operable to generate at least one noise map, and display the at least one noise map on the one or more displays of the aircraft.
12. The hybrid aircraft of claim 11, wherein the at least one noise map comprises a geographic map with noise sensitive areas or zones displayed thereon, and wherein noise of the aircraft is mitigated as the aircraft passes along or near the noise sensitive areas or zones by varying the blade angle while a constant thrust is provided to the aircraft throughout flight of the aircraft.
13. The hybrid aircraft of claim 12, wherein experienced ground noise for the noise sensitive areas or zones is calculated based upon a determined distance and an azimuth angle between the propeller assembly of the hybrid aircraft and a reference point on the ground.
14. A method for mitigating noise generated by an aircraft having a propeller or rotor and a drive system for driving the rotation of the propeller, comprising:
 generating a noise map including a series of noise sensitive areas or zones;
 displaying the noise map on one or more displays of the aircraft; and
 upon flying in or near one of the series of noise sensitive areas or zones, varying an angle or pitch of the propeller or rotor of the aircraft to alter and/or focus a noise footprint of the aircraft, while maintaining a substantially constant thrust, a substantially constant altitude, and/or a substantially constant airspeed during flight.
15. The method of claim 14, further comprising moving the propeller or rotor of the aircraft between a plurality of positions including a high blade pitch position and a low blade pitch position.
16. The method of claim 14, wherein each of the series of noise sensitive areas or zones are defined using a noise sensitivity index.
17. The method of claim 16, wherein generating the noise map comprises applying each of the series of noise sensitive areas or zones to a geographical map.
18. The method of claim 14, determining experienced ground noise for the noise map using a distance and azimuth angle between the propeller of the aircraft and a reference point on the ground.

* * * * *