



**Aalborg Universitet**

**AALBORG UNIVERSITY**  
DENMARK

## **Storage Systems for Large Wind Turbines**

Swierczynski, Maciej Jozef; Teodorescu, Remus; Rasmussen, Claus Nygaard; Rodriguez, Pedro

*Publication date:*  
2009

*Document Version*  
Publisher's PDF, also known as Version of record

[Link to publication from Aalborg University](#)

*Citation for published version (APA):*

Swierczynski, M. J., Teodorescu, R., Rasmussen, C. N., & Rodriguez, P. (2009). *Storage Systems for Large Wind Turbines*. Poster presented at PhD Seminar on Wind Energy in Europe, Durham, United Kingdom.

### **General rights**

Copyright and moral rights for the publications made accessible in the public portal are retained by the authors and/or other copyright owners and it is a condition of accessing publications that users recognise and abide by the legal requirements associated with these rights.

- ? Users may download and print one copy of any publication from the public portal for the purpose of private study or research.
- ? You may not further distribute the material or use it for any profit-making activity or commercial gain
- ? You may freely distribute the URL identifying the publication in the public portal ?

### **Take down policy**

If you believe that this document breaches copyright please contact us at [vbn@aub.aau.dk](mailto:vbn@aub.aau.dk) providing details, and we will remove access to the work immediately and investigate your claim.

# Storage Systems for Large Wind Turbines

## Challenges



2<sup>nd</sup> Annual Symposium on Grid Integration of Wind Power  
Vestas Power Programme  
Sept. 7<sup>th</sup>, 2009 Terrassa/Barcelona, Spain

## Objectives

- Make the wind power plant to appear and behave like conventional power plant.
- Move the wind power plant to the sector where it can be considered as more reliable and controllable source of energy.
- Better correlation between actual market energy price and actual wind power generation.
- Offer various services to the power system.

- Energy storage for Wind Power System – state of the art, especially present situation and trends.
- Services that energy storage technologies can provide to the WPP and power system.
- Modeling of wind and the most relevant storage technologies and their services.
- Evaluation of obtained results.
- Laboratory validation of different storage techniques and storage managements.

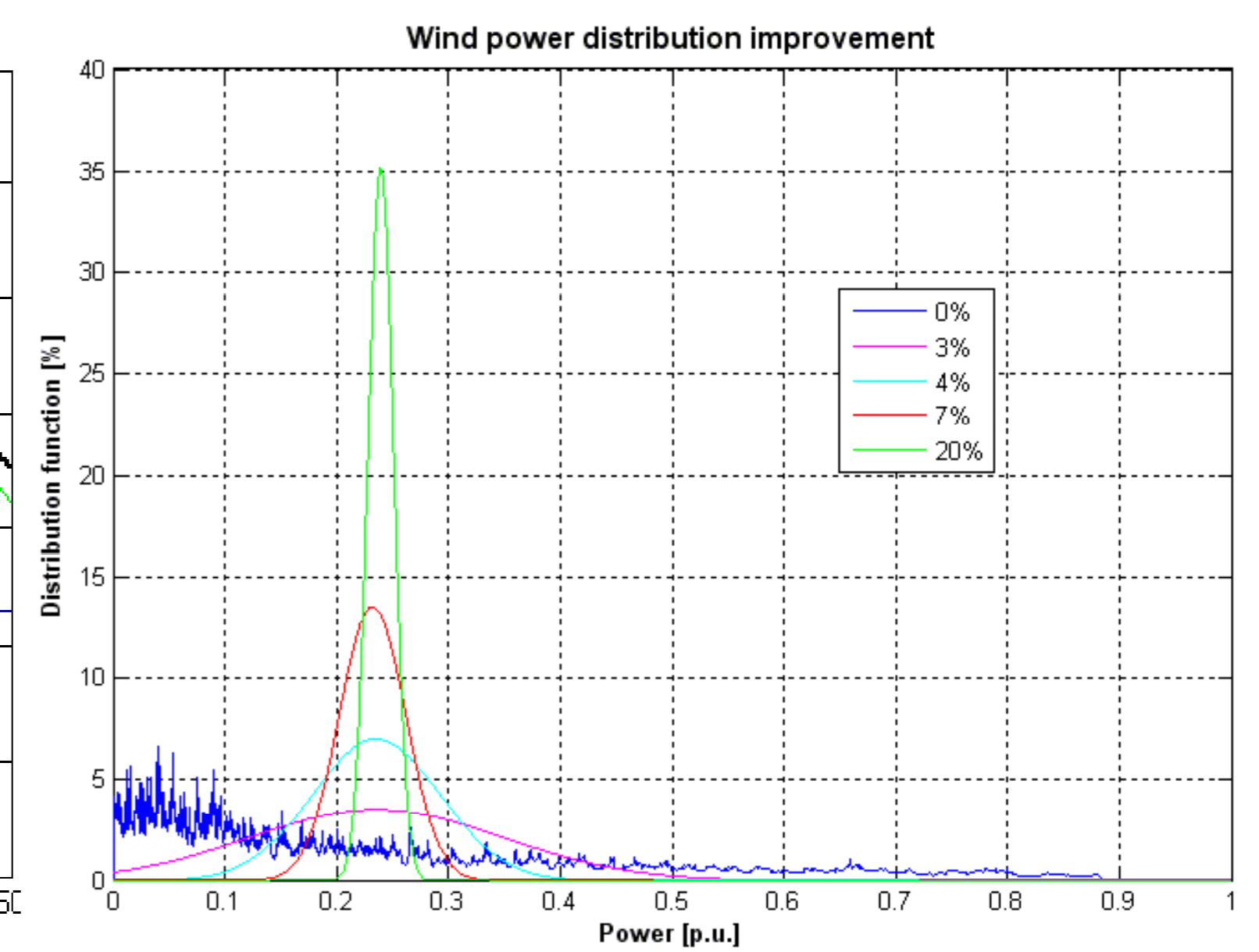
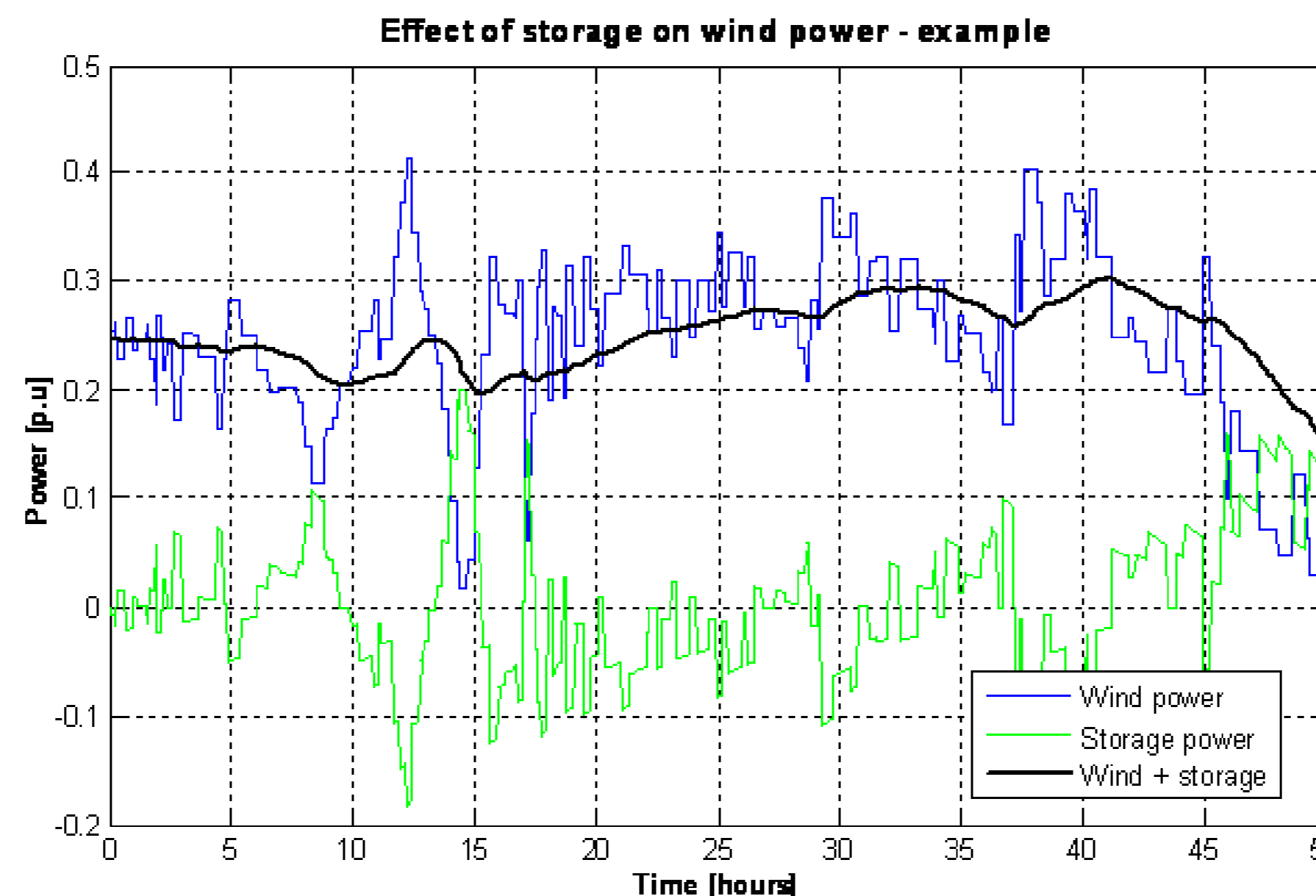
## Main Services that can be offered by ES

### Services that can be offered to WPP:

- higher availability, predictability and smaller variability
- black start without assistance from a grid
- energy arbitrage
- peak shaving
- production leveling

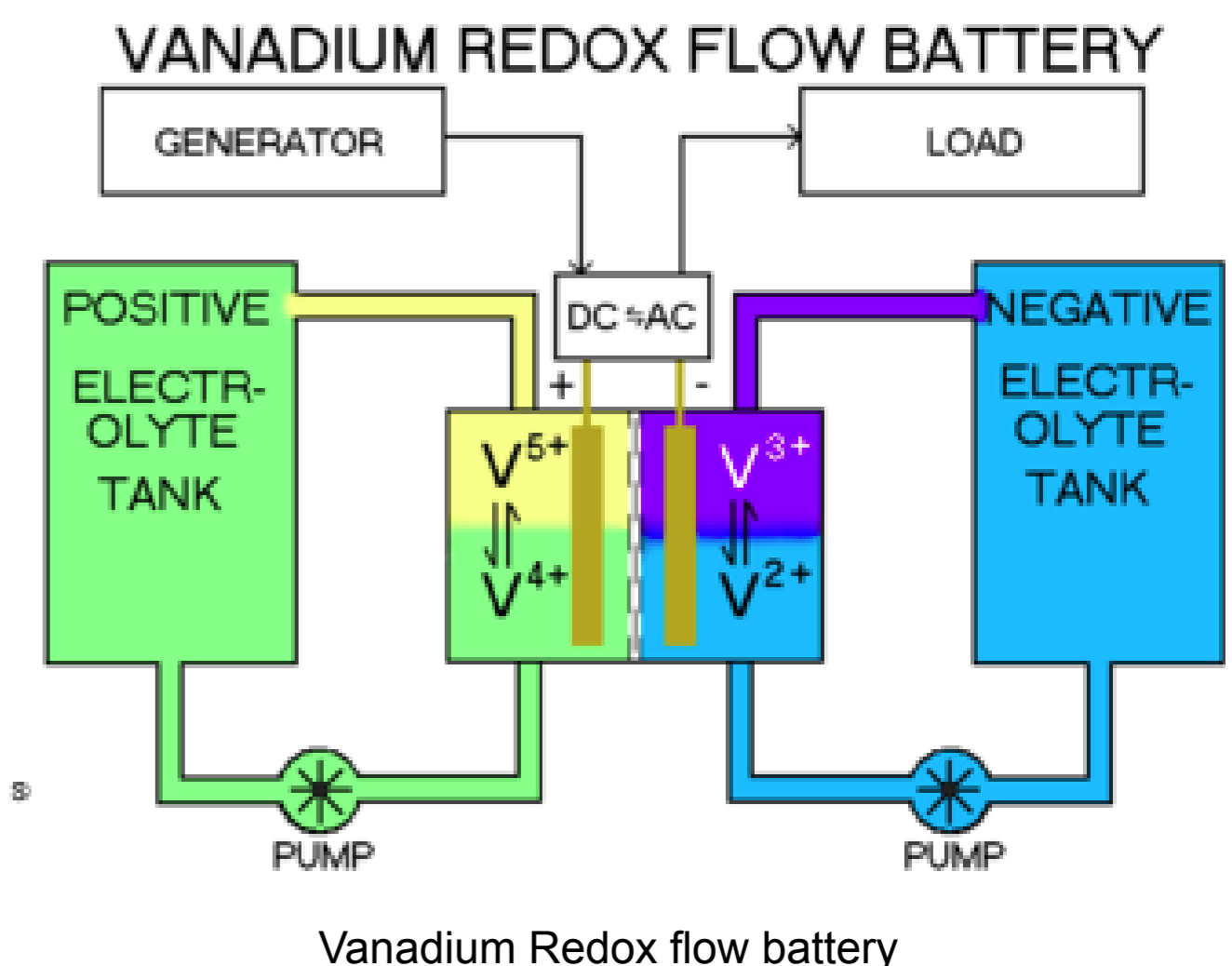
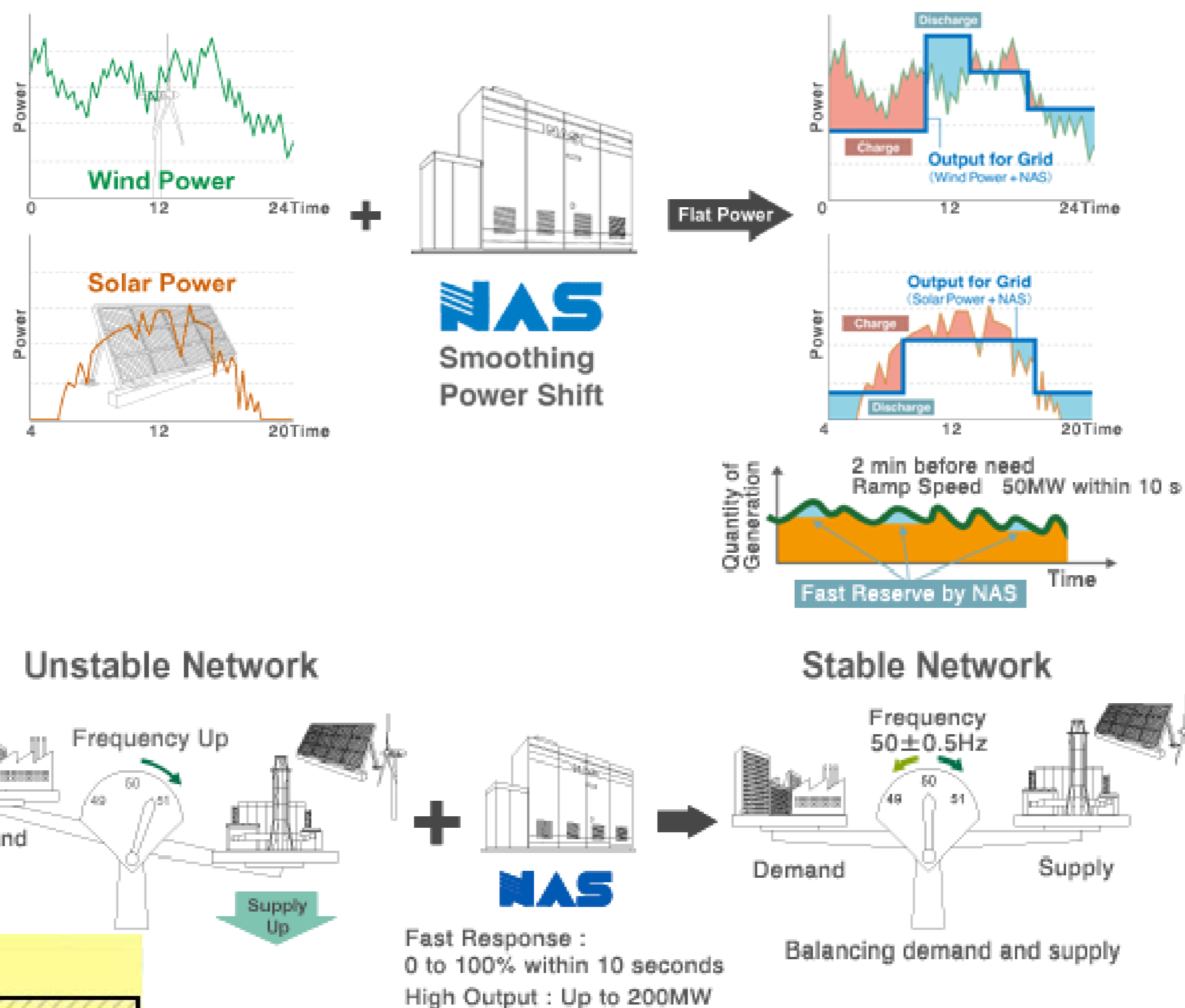
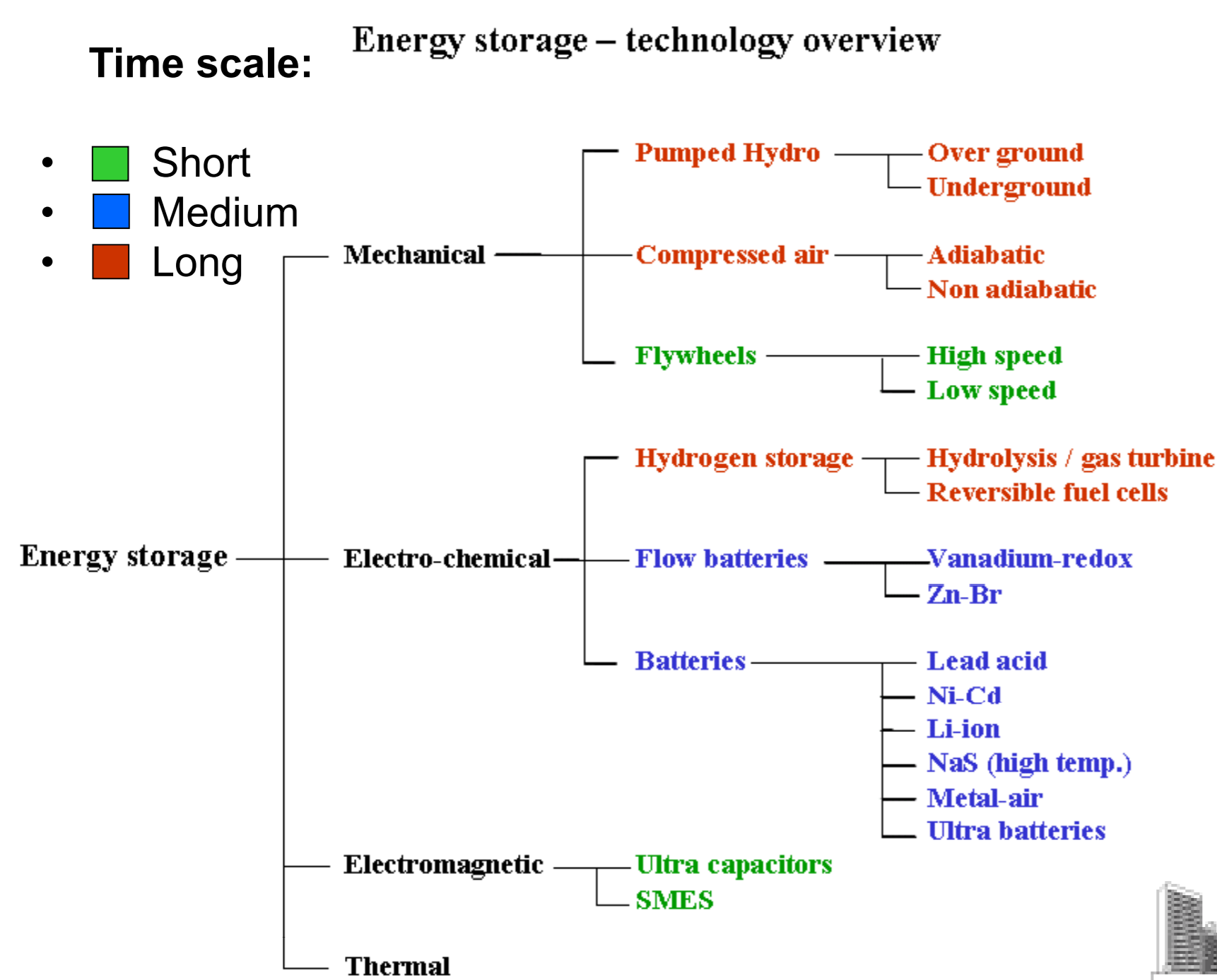
### Services that can be offered to the grid:

- frequency control
- regulating reserves
- spinning reserve
- voltage control
- soft stop

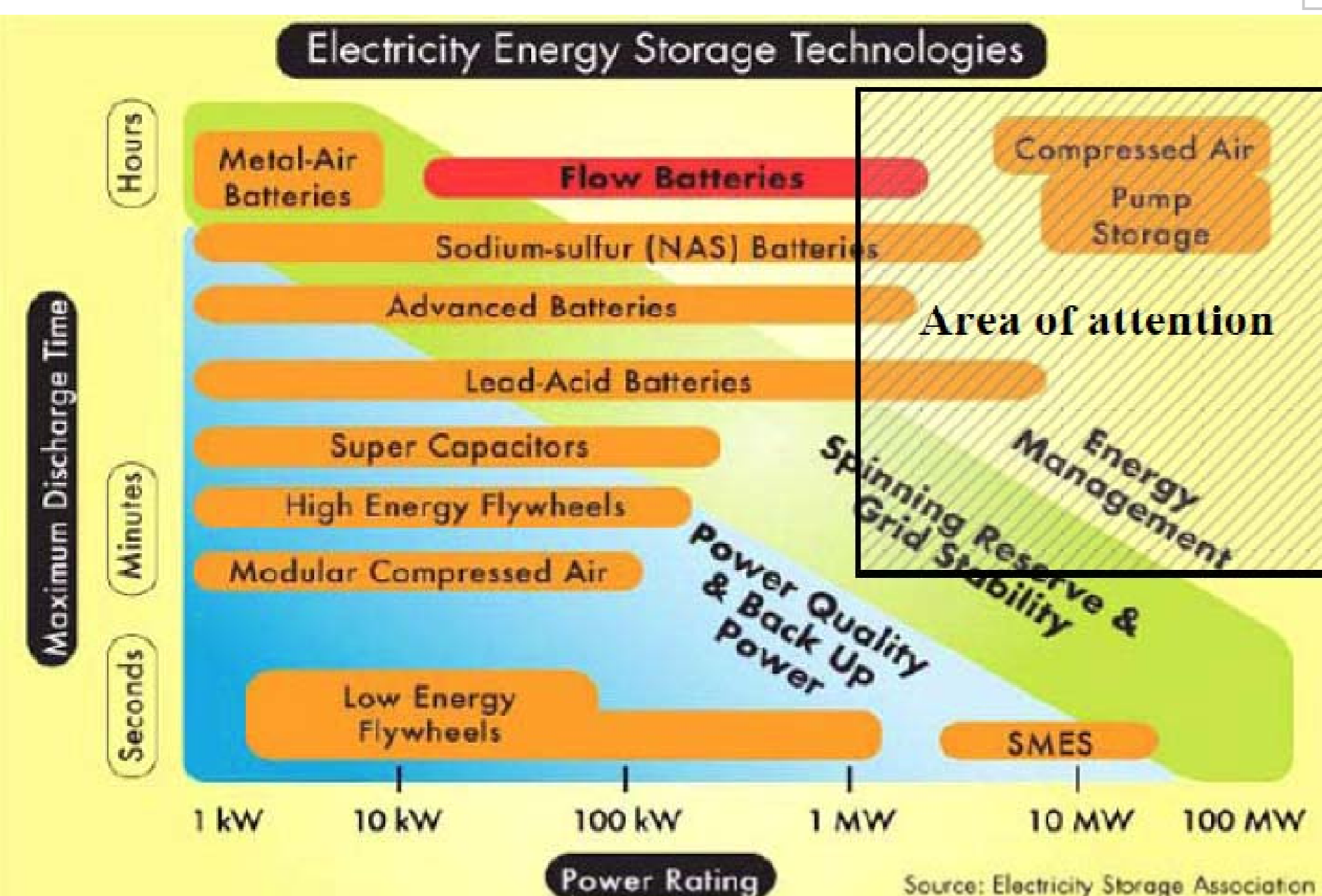


Source: Improving wind power quality with energy storage, C. Rasmussen

## Some significant technologies



Ultracapacitor 75V, 94F, Source: Maxwell Technologies



4 MW (6 MW pulse) x 1.5 hour VRB-ESS Grid-Coupled, Sapporo, Japan



34MW NAS storage, Japan

## PhD Preliminary Goals:

- State of the art and provisional study plan
- Modeling of relevant storage technologies and services
- Test case studies of services offered by Energy Storage
- Laboratory validation of energy management strategies

## Future work:

