



Smart System for Document Verification

K. Rukesh Sai^{1*}, K. Jithendra², M. Sainath Reddy³, K. Pavan Sai⁴, Prof. Shashikala. N⁵

^{1,2,3,4,5}School of computer science Reva university Bengaluru

Email: rukeshsai70@gmail.com¹, jithuklu.jithu@gmail.com², sainathreddymanyam016@gmail.com³,
pavanmani49@gmail.com⁴, shashikalan@reva.edu.in⁵

*Corresponding author's E-mail: rukeshsai70@gmail.com

Article History	Abstract
Received: 06 June 2023 Revised: 05 Sept 2023 Accepted: 30 Nov 2023	<p>Traffic control device is one of the vital sectors in any united states for its smooth travel. In India, Communication innovation in social coverage location has now no longer been altogether actualized to enhance its nature of administration. Growing use of verbal exchange era many nations have applied e-card device. At gift there may be no present digital site visitors control device in India aside from Digi-locker. The factor of this proposed e-clever card framework is to enhance effectiveness, get right of entry to of drivers record verification offerings and administrations. Using the e-clever card all drivers' records, car details, car beyond records and car beyond violations may be accessed via an internet web page with the aid of using the legal parties. Our proposed concept conveys the advantages of stable transportation offerings in India using records and correspondence advancements. Digital data permit for higher monitoring and extra standardized documentation of drivers and vehicles, which has the ability to lessen error.</p>
CC License CC-BY-NC-SA 4.0	Keywords: System, Communication, Digital

1. Introduction

Day these days lifestyles it's a huge trouble to hold and convey all of the using files like using license, RC book, coverage and different files. Association amongst diving and police the usage of digital apparatuses for health associated motives for present is substantially characterised as e-clever card. Restorative innovation is an expansive discipline in which development assumes a noteworthy task in assisting health. Territories like street ways, water ways, and airways, the development of healing devices and hardware and extra have all made noteworthy commitments to enhancing the energy highly across the globe. In current years, site visitors' area has been appointed with considerable sources in nearly each united states withinside the world. Mechanical development on this department is the maximum beginning factors of all. The principal subject of site visitors control centres is to offer police with right schooling and keep away from corruption. This method remains depending on documentation. Technology want to undertake with the aid of using site visitors control area for the reason that long, however however, it keeps a secondary function as a long way as drivers is concerned. The real advantages of E-Smart card may be gauged in natural financial terms. The Internet of Things (IoT) is the bodily community of factors or items—devices, buildings, vehicles, and different items—embedded with electronics, software, sensors, and community connectivity that permits these items or items to gather and alternate records. Internet of Things is anticipated to provide excessive diploma of human to device verbal exchange in conjunction with device to device verbal exchange. The number one goal of this challenge is to lessen human work. Automation has continually been a high issue for protection device. Our intention withinside the challenge is to layout and put into effect a protection device. System that gives controllability via a handheld cell telecall smartphone through IOT.

1. LITERATURE SURVEY

[1] "RFID privateness problem and technical challenges" verbal exchange of the ACM,2005, M. Ohkubo, K. Suzuki and S. Kinoshita.

- Radio Frequency Identification (RFID) Radio frequency identity era turned into first advanced in 1948.
- Identification, Friend or Foe (IFF) for plane turned into one of the first implementation of RFID

era, it's far utilized in computerized identity of object. while reader sends the records, the tag gets power supplied with the aid of using the capacitor.

[2] Cloud primarily based totally secured clever card fitness care tracking monitoring device

- In this healthcare is prolonged to a centralized (offline) cell telecellsmartphone-managed interface.
- In this version it allows physicians, chemists and hospitals with the aid of using electronically dealing with all affected person records and get right of entry to is given most effective for approved organization.
- In this version guarantees that one citizen receives simply one's clever card and stops cloning.
- This will offer the delivered layer of protection specifically biometric protection.
- Periodic records get right of entry to ought to get verified the usage of the affected person's finger print to decrease leakage of records.

[3] Global Med Info Smart Assistant (Cloud garage)

- Electronic Medicinal data are examined approximately affected person protection and problems with the consolidation of antique data etc.
- Cloud garage is used to save the affected person fitness data. • It is using authentication techniques that shield in opposition to unauthorized get right of entry to to records saved at the cloud.

2. Materials And Methods

Arduino Uno

Arduino is companion in nursing ASCII textual content record herbal philosophy platform assisted easy-to-use hardware and software program package. Arduinoboard rectangular observable to experiment inputs-mild weight on a detector, finger on a button, and circulate it to Associate in nursing performance-triggering a motor, turningon Associate in nursing semiconductor diode, publishing one issue online. You could be capin a position to inform the board what to do to do through triggering a set of microcontroller commands at the board. To do, use the Arduino programming language and therefore the Arduino programming software program (IDE), the technique assisted.



Fig 2: Arduino uno micro-controller

Over the years, Arduino has been the mind of lots of humans, starting from normal gadgets to complicated medical instruments. A international institution of manufacturers college students, hobbyists, designers, programmers, and professionals has amassed round this ASCII textual content record platform to an unparalleled quantity of open statistics as a way to make it easy for beginners in addition to consultants.

1.1. Buzzer

Buzzer is a tremendously device related to audio. It beeps till sensors see a few obstacles.



Fig 3: Buzzer

1.2. LCD (Liquid Crystal Display)

A liquid crystal show (LCD) may be a flat panel show, digital visible show, or pc display screen that makes use of the sunshine modulating houses of liquid crystal. LCDs to show arbitrary photos or hooked up photos that would be displayed or obscured, together with preset words, numbers, and 7-section presentations as in a completely virtual clock. These use a similar simple generation, besides that arbitrary photos are constructed from an oversized array of tiny pixels, even as different presentations have large sections. The liquid crystal show display screen is energy-green and may be competently disposed of in evaluation to a cathode-ray tube.



Fig 4: Liquid Crystal Display

2. SCHEMATIC DESIGN

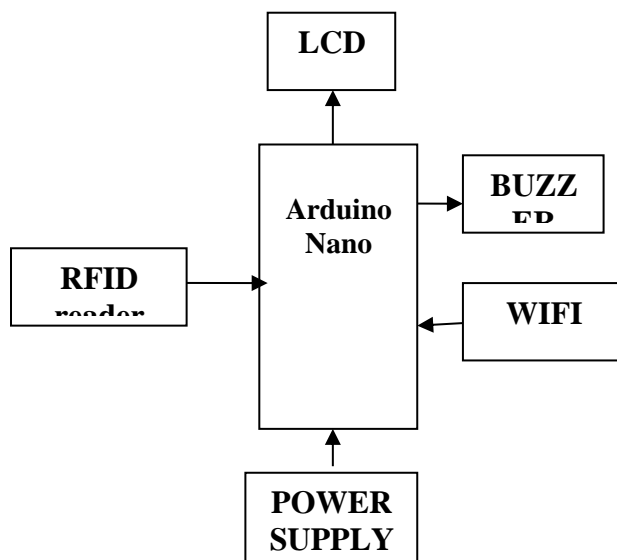


Fig 6: Explanation of Block diagram

Why Arduino

Inexpensive - Arduino forums are reasonably-priced compared to one-of-a-kind structures of microcontrollers. The lowest price model of the Arduino module is by and large assembled through hand, or even the pre-assembled Arduino modules are offered at a charge of \$50

• **Cross-platform** - The Arduino software program kit (IDE) runs on windows, macintosh OSX, Linux. The Arduino software program package (IDE) runs on windows, macintoshOSX, Linux working gadget.

• **Simple, clean programming surroundings** - The Arduinonano Software (IDE) is simple to apply for startups, however flexible sufficient to permit intermediate customers to still. For teachers, the Processing programming surroundings is without difficulty assisted, so college students mastering to software on this placing are acquainted with how the Arduino IDE functions.

• **Open supply and extensible software program** - The Arduino software program is launched as open supply resources, which can be to be had for extension through expert coders. The formulation may be prolonged through C++ libraries, and different individuals who are eager to examine the technical information can also additionally take the plunge from Arduino to the synthetic language AVR C on which it's miles primarily based totally.

• **Open supply and extensible hardware** - The Arduino forums plans are launched below an stimulated familiar license, so expert circuit creators can create their personal model of the module, expand it and increase it. Even pretty amateur customers can construct the modules breadboard model to realize the way it works and shop money.

1. System includes Amazon internet offerings in that each one the driver's files /information could be maintained.

2. Device Consists of RFID reader, Ardino Uno controller, LCD show, Wi-Fi module and Buzz. 3. Driver want to hold clever card to reveal police. while clever card experiment through reader, ID could be despatched to cloud it's going to fits with the database and it's going to show information of the driving force.

Existing System

DigiLocker and Mparivahan apps are furnished from the Govt. to reveal files to police however this android apps will paintings handiest in clever telephones and vital required Internet. In our idea police must have the tool and driving force want to hold one clever card to reveal all of the files.

4. Conclusion

The E-Smart card for visitors file verification maximum residents are becoming advantage through the usage of this card for his or her file verification and file protection and therefore they may be saving time and money. The proposed e-clever card gadget could achieve success in India while humans will recognize the real blessings of this e-clever card gadget and approximately the need of this generation for upgrading the modern-day police verification of files.

APPLICATIONS

- Can be used in traffic management system.
- In PASSPORT Seva Kendra for Document verification.
- In hospital to know patient health history.

References:

- [1] "RFID privacy issue and technical challenges" communication of the ACM,2005, M. Ohkubo, K. Suzuki and S. Kinoshita.
- [2] Cloud based secured smart card health care monitoring tracking system [Kartik Moudgil](#) ; [RiaMaheshwari](#) ; [Harshal Bharatkumar Parekh](#) ; [Kailas Devadkar](#) 2017 Second International Conference on Electrical, Computer and Communication Technologies (ICECCT)
- [3] Global Med Info Smart Assistant [R. Dinesh](#) ; [L. Meena](#) ; [T. Sathya](#) ; [E. Selton](#) ; [C. Ram Kumar](#) 2017 International Conference on Innovations in Green Energy and Healthcare Technologies
- [4] Digilocker and Mparivan digital apps