



## TECHNOLOGICAL ANALYSIS OF FLAT SURFACE CONDITIONS BY MAGNETIC ABRASIVE FINISHING METHOD (MAF)

Dr. Ali H. Kadhum – Baghdad University – Al-Khawarizmi College of Engineering, Manufacturing  
Operations Department- Al-Jadriia, Baghdad ([kadhumali59@yahoo.com](mailto:kadhumali59@yahoo.com)).

Yahya M. Hamad - Baghdad University – Al-Khawarizmi College of Engineering, Manufacturing  
Operations Department- Al-Jadriia, Baghdad ([yahya\\_m\\_hamad@yahoo.com.au](mailto:yahya_m_hamad@yahoo.com.au))

Nazar K. Mohammad - Baghdad University – Al-Khawarizmi College of Engineering, Manufacturing  
Operations Department- Al-Jadriia, Baghdad

### ABSTRACT

This study introduced the effect of using magnetic abrasive finishing method (MAF) for finishing flat surfaces. The results of experiment allow considering the MAF method as a perspective for finishing flat surfaces, forming optimum physical mechanical properties of surfaces layer, removing the defective layers and decreasing the height of micro irregularities. Study the characteristics which permit judgment parameters of surface quality after MAF method then comparative with grinding.

(MAF)

**Keywords:** Magnetic abrasive finishing (MAF), characteristic of roughness, flat surface, coefficients of parabola, ferromagnetic abrasive powder, magnetic induction, running clearance, cutting speed, support curve.

### INTRODUCTION

At the present time, the magnetic –abrasive finishing method (MAF) is used in cleaning, grinding and polishing of flat surfaces in manufacturing engineering. The diagram of magnetic abrasive finishing of flat surface is represented in (Fig. 1). The MAF method based on the principle that the work piece can be machined by the effect of ferromagnetic abrasive powder, this powder is densities by energy of external magnetic field; energy is supplied to running clearance between working surfaces and

electromagnetic poles. Working motion is imported to the powder; the powder is pressed by magnetic field forces against working surfaces to finish it. The most important feature of this method is that the abrasive instrument has no bond; its function is performed by a magnetic flux in a working zone. These lead to arrange the cutting forces and also controlling the degree of elasticity by change of field strength [1-8] , via varying magnitude of the magnetic field in the machining zone, running clearance and the speed of rotation poles ( cutting speed) .

The MAF method gives combined effects on work piece which influence to surface layers of parts is conditioned by abrasive cutting, plastic deformation, electromagnetic adhesive effect and chemical processes [5, 8, 11, 12].

The criteria of effective use the quality of surface of the parts after MAF and grinding methods defined by the parameters of roughness determined by formula (1):

- $R_a$  : arithmetic mean of profile declination.
- $R_z$  : height of profile roughness over 10 points.
- $R_{max}$  : the biggest height of profile unevenness.
- $S_m$  : the average pitch of profile unevenness.
- $r_1$  : radius of top of micro roughness.
- $r_2$  : radius of bottom of micro roughness.
- $t_p$  : relative support length of profile.

$$\left. \begin{aligned} R_a &= \frac{1}{n} \sum_{i=1}^n |y_i|, \\ R_z &= \frac{1}{5} \left[ \sum_{i=1}^5 |y_{pmi}| + \sum_{i=1}^5 |y_{vmi}| \right] \\ S_m &= \frac{1}{n} \sum_{i=1}^n S_{mi}, \quad t_p = \frac{1}{L} \sum_{i=1}^n li \\ R_{max} &= \frac{y_{max} - y_{min}}{B_y}, \quad B_y = \frac{20000}{R_a} \end{aligned} \right\} (1)$$

The effectiveness of using MAF method can be determine by the effects to surface layer of parts and depend upon many technological parameters. Three technological parameters have been choose, which are magnetic induction or current force, running clearance and cutting speed (rotation of poles). They have combined effects on forming surfaces and the amount of pressure acting on work piece. Also they form the shape and nature of the brush of the ferromagnetic abrasive powder. According to experiments data obtained from references [1- 4, 7, 8, 11] the range of these parameters can be taken as following :

- $B = 0.2 \dots\dots\dots 0.8$  TL (magnetic induction)
- $C = 1.0 \dots\dots\dots 4.0$  mm (running clearance)
- $V = 100 \dots\dots\dots 250$  mm/min (cutting speed)

The ability of guiding these parameters to get the optimum values will help for finding the parameters of roughness ( $R_a, R_z, R_{max}, S_m, r_1, r_2, t_p$ ), which influence for wear resistance under

conditions of bounding and fluid friction, corrosion resistance, vibration resistance, heat reflection, contact rigidity and strength of surface connections. The most complex characteristic of roughness is the support curve, the analytical expression will be determined [6, 7, 8].

The most complex characteristic of roughness is support curve **Fig. 2**. the analytical expression of which is determined by formula (2)

$$Y = B_0 + B_1 Z_1 + B_2 Z_2^2 + B_3 Z_3^3 \quad (2)$$

The mode construction of a support curve and the curve itself is represented in .Fig (2). On abscissa are laid off ration of sum of portions profile to studied length L; corresponded to distance  $y_i$  measured from over hang height H laid off as ordinate (**See Fig.(5)**). In this case the height of profile levels is measured in absolute units.

The support curve is approximated by parabola:

$$\left. \begin{aligned} Y &= B_0 + B_1 f(z) + B_2 f(z) + B_3 f(z) \\ Z &= \frac{1}{L} \sum_{i=1}^n l_i, \quad Y = y_i \end{aligned} \right\} (3)$$

Coefficient of parabola  $B_0, B_1, B_2, B_3$ , are determined by formula (4-7) :

$$B_0 = [0.208y_0 + 0.196(y_1 + y_2) + 0.161(y_3 + y_4) + 0.103(y_5 + y_6) + 0.021(y_7 + y_8) - 0.084(y_9 + y_{10})] \quad (4)$$

$$B_1 = [0.065 (y_1 - y_2) + 0.111(y_3 - y_4) + 0.114(y_5 - y_6) + 0.006(y_7 - y_8) - 0.074(y_9 - y_{10})] \quad (5)$$

$$B_2 = - [0.012y_0 + 0.01(y_1 + y_2) + 0.007(y_3 + y_4) + 0.001 (y_5 + y_6) - 0.007(y_7 + y_8) - 0.017(y_9 + y_{10})] \quad (6)$$

$$B_3 = - [0.003(y_1 - y_2) + 0.004(y_3 - y_4) + 0.004(y_5 - y_6) + 0.001(y_7 - y_8) - 0.006(y_9 - y_{10})] \quad (7)$$

Then Z exchange within limit  $\pm 5$  and  $t_p$  in limit  $\pm 0.5$

After correction, we get:

$$\begin{aligned} B_1 &= B_1 * 10, \quad B_2 = B_2 * 10^2, \quad B_3 = B_3 * 10^3 \\ Z &= \frac{1}{L} \sum_{i=1}^n l_i - 0.5, \quad Z = t_p - 0.5 \end{aligned} \quad (8)$$

## EXPERIMENTAL METHOD AND MATERIALS



An experiment was conducted using MAF laboratory machine, it contains rotating magnetic poles, inside these poles there is an iron core made from ferromagnetic material. A running clearance (C) is filled with ferromagnetic powder. Magnetic poles rotate with powder over the work piece (which is fixed on the base (Fig.1)) by using variable speed electric motor and the axis of rotation is perpendicular to the work piece axis. Magnetic coils generate magnetic field and electric current which in turn gives the magnetic inductance (B). Variable values of electric current can be obtained by using current regulator. Running clearance value can be controlled by the work piece fixing base and its feed speed obtained from other electric motor with gear box.

The experiment executed according to the following steps:

- 1- Surface roughness test executed three times for each samples by using profile meter-profilograph.. Then the mean value of  $\Delta R_a$  and other parameters obtained.
- 2- The experiment conducted according to the matrix factor plan (table 1).
- 3- Repeat the steps 1, 2 for each sample.

**The Following Data Used in The Experiments:**

Test specimen shown in Fig. 3 is a flat surface of dimensions : t × W × Le= 3,0 × 150 × 250 mm. Material of the specimen :Aluminum Alloys Number 2024, Hardness120 HB ; working conditions (constant) The magnetic abrasive powder-mass composition: Al= 0,2% to 16% ; c < 4% ; P= 1,5% ; Si= 0,2% to 8% ; The rest is - Fe. Graininess of powder from 100 to 120 μm. working time= 30 sec; table feed= 340 mm/min; the volume of powder portion  $V_p= 20 \text{ cm}^3$

Ideal stress concentrators have been used for finishing the Aluminum alloy [11]. To test the effect of the three technological parameters on the effectiveness of the working operation and to specify the effectiveness relationships of the operation, experiments must be executed. Because the finished surfaces have more than one parameter at same time, a plan factors must be use to obtain the multifunction relationship which explain the combination between the main three technological parameters. To execute less number of experiments, statistical practical values used as listed in Table 1.

**RESULTS AND DESCUSSION**

Table 2 shows the values of final results, for the parameters of surface quality after MAF method. An example for obtaining the curve and the calculation of coefficients of the parabola is shown in Fig. 4

- 1- divide axis Z into ten steps 0, 1, 2, 3, 4, 5, -1, -2, -3, -4, -5 , then we can obtain ten values for y (obtained from Fig.(5)) as listed in Table 3
- 2- From these values , draw Fig. 3 for the absolute value of  $y=R_a$
- 3- Calculate the values of adding and subtracting.

$$y_1 + y_2 = 0.288 \qquad y_1 - y_2 = -0.038$$

$$y_3 + y_4 = 0.34 \qquad y_3 - y_4 = -0.07$$

$$y_5 + y_6 = 0.34 \qquad y_5 - y_6 = -0.1$$

$$y_7 + y_8 = 0.31 \qquad y_7 - y_8 = -0.17$$

$$y_9 + y_{10} = 0.33 \qquad y_9 - y_{10} = -0.21$$

- 4- Calculate the coefficients of equation of support curves after MAF method  $B_0, B_1, B_2, B_3$

$$B_0 = [0.0291 + 0.0564 + 0.0547 + 0.0350 + 0.0065 - 0.0277] = 0.1541$$

$$B_1 = [-0.00247 - 0.0077 - 0.0114 - 0.00102 + 0.01554] = -0.00712$$

$$B_2 = - [0.00168 + 0.00288 + 0.00238 + 0.00034 + 0.00217 - 0.00561] = -0.00384$$

$$B_3 = - [-0.000114 - 0.00028 - 0.0004 - 0.00017 + 0.00126] = -0.000296$$

- 5- Calculate the correction :

$$B_1 = -0.00712 \times 10 = -0.0712$$

$$B_2 = -0.00384 \times 10^2 = -0.384$$

$$B_3 = -0.000296 \times 10^3 = -0.296$$

- 6- Then we get the following equation :

$$y = 0.1541 - 0.0712Z - 0.384 Z^2 - 0.296 Z^3$$

- 7- Divided by 0.4(the height of profile) to get :

$$y = 0.385 - 0.178 Z - 0.96 Z^2 - 0.74 Z^3$$

The analysis of profile roughness by studying various model, showed that the maximum value for the relative support length of profile in the level 50%  $t_{p50}=68\%$  (See Fig. 4). At the optimum technological parameters, from the best results of the support curve for model 10 (See Table.2), then:

$B = 0.96 TL$  ,  $C = 2.5 mm$  ,  $V = 175 mm/min$ . (the optimum technological parameters)

At the best values, as following:

$$R_a = 8 \mu m, \quad R_z = 0.14 \mu m, \quad R_{max} = 0.2 \mu m, \\ S_m = 15.5 \mu m,$$

$$r_1 = 121 \mu m, \quad r_2 = 79.5 \mu m, \quad t_{p50} = 68\%$$

By comparing these results with those obtained by grinding method from reference [6] as shown below:

$$R_a = 0.32 \mu m, \quad R_z = 1.2 \mu m, \quad R_{max} = 1.7 \mu m, \\ S_m = 30.1 \mu m$$

$$r_1 = 36.6 \mu m, \quad r_2 = 70.4 \mu m, \quad t_{p50} = 53\%$$

Topography of micro relief formed by MAF is more smoothing tops and bottoms of micro unevenness in comparison with grinding.

To assess the efficiency of the magnetic abrasive finishing method on flat surfaces and their edges, it has been a 15 technological system, by examining three parameters, affecting on the MAF method, by statistical method as **Table 1**.

To stand on the quality on surface and their edges from aluminum alloys was obtained practical results as **Table 2**, of the surface characteristics of previous of 15 technological systems, from profile of the surface (**Fig. 5**).

It can obtained an equal elevation of surface roughness in deferent ways and from deferent technological conditions, so that it have been developed by backing the equation of support curve, showing the characteristics of surface roughness, so that can comparison with other technological process .

Study shows that the MAF method can access to the largest amount of micro profile proportion to the length of any profile, that mean,  $t_{p50} = 68\%$ . The grinding method give the value  $t_{p50} = 53\%$  (9, 10) Magnetic induction affected on the supported curve value at  $B = 1TL$  get the best result.

## CONCLUSIONS

1. The implementation of theoretical and practical test and established clear technological process for the operation of flat surfaces and their edges from aluminum alloys by MAF method.
- 2- An optimum technological system is achieved which would work to improve the roughness surface compared with grinding method. Thus obtaining practical advice to choose the most rational and technological uses of the area.

3- This method gives machining efficiency which is 1.5 to 2.5 times as great as that when using conventional grinding

4- The micro-irregularities can be reduced to 0.08mm

5- MAF method permits to increase the surface quality of machined parts

6- This method can be use to clean and polish the surface to create a situation before welding operations, without affecting the environment compared with the hazardous chemical method.

## REFERENCES

- 1- Amit M. Wani ,Vinod Yadava, Atul Khatri, "simulation for the prediction of surface roughness in magnetic abrasive flow finishing (MAFF)" Elsevier, Vol.190 (2007).p282-290.
- 2- O.V.Steponova, V.P. Smirnov, and others, "Effect of magnetic abrasive finishing on the chemical and phase composition of Tic coatings on VK8alloy" springer, New York.vol.44(2005)p.451-454.
- 3- Dharendra k. Singh, V.K. Jain, V.Raghuram." parametric study of magnetic abrasive finishing" Elsevier, Vol.190 (2004).
- 4- Baron Y. M. "Technology of abrasive finishing in magnetic field", Leningrad, Mashinostroenie, 1975, p128.
- 5- Baron Y. M. "Magnetic abrasive and magnetic finishing of parts and cutting tools", Leningrad, Mashinostroenie, 1986, p172.
- 6- Sakulevich F. Y. "Principles of magnetic abrasive machining", Minsk, Nauka texika, 1981.
- 7- Skrorchevski N. Y., Fedorvich E. N., and Yasscheritsin P. I., "Effectiveness of magnetic abrasive machining", Minsk, Nauka tekhnika, 1991.
- 8- Yascheritsin P. I. and Sergeev L. E. "The comparative appraisal of quality characteristics of holes after different finishing methods", Advanced performance materials manufactured in the Netherlands, Vol. 4, 1997, p337-347.
- 9- Matalen A. A. "Technology method for achine parts", 1972, p142.
- 10- Meken E. M. "Wear in condition plastic contact ", Minsk, Nauka, 1968, p31.
- 11- Ali. H. Kadhum, Chachin V. N., and Khomich M. "Magnetic abrasive machining for different materials to increase the quality of the finishing

surface technology", Moscow, Academic of Kosmonaftiki, 1993, Vol. 3, p22-23.

- 12- Shimmura T. and Wang F. H. "A new process for precision finishing of silicon nitride fine ceramics by application of magnetic abrasive

machining using chromium-oxide abrasives mixed with iron particles", International journal , Japan society processing, 1994, Vo. 28, part 3, p229-230.

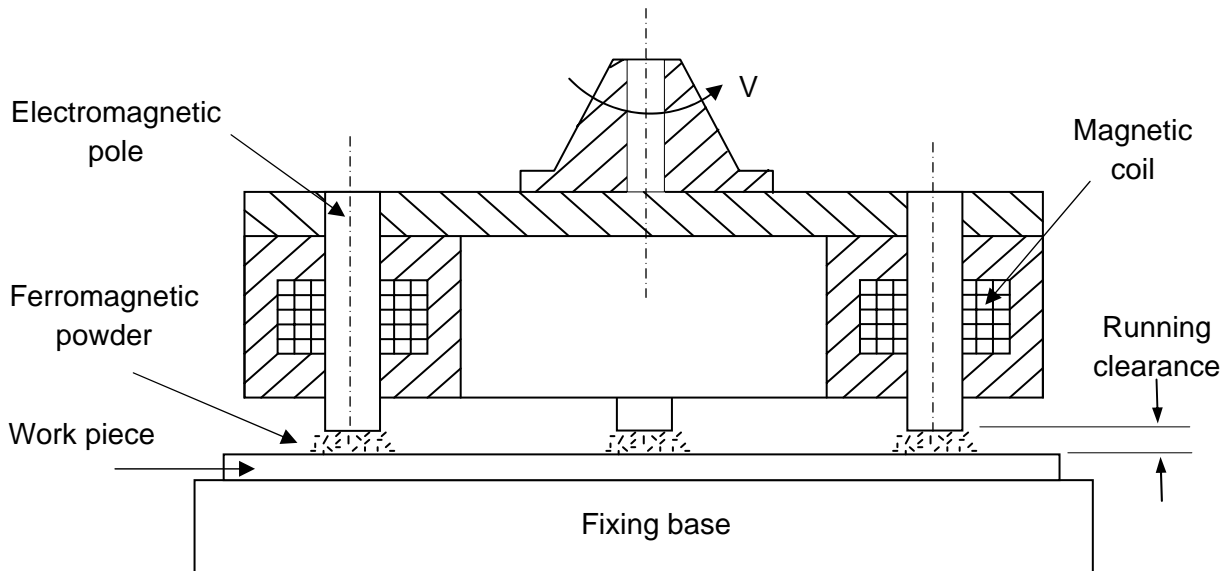


Figure. (1) Machine

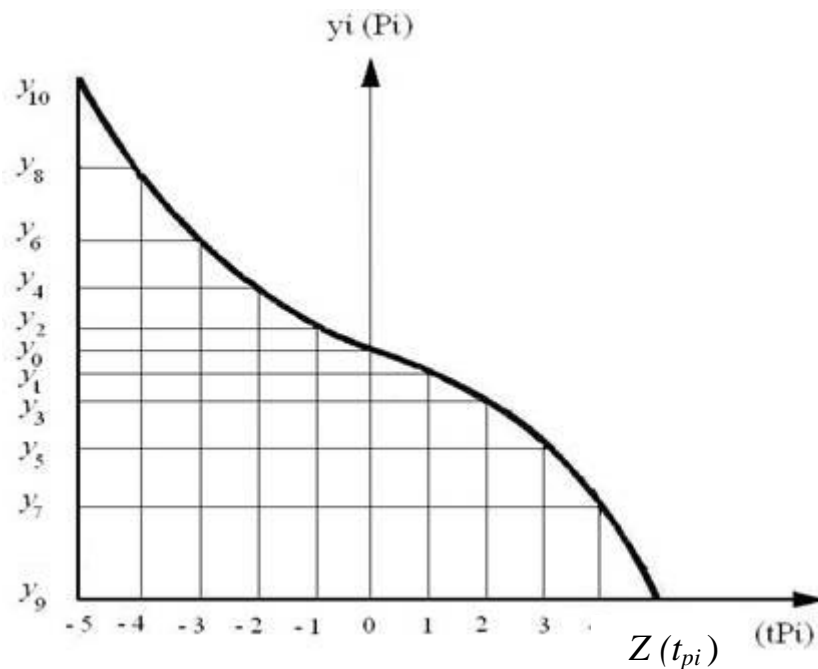


Figure. (2) Support Curve

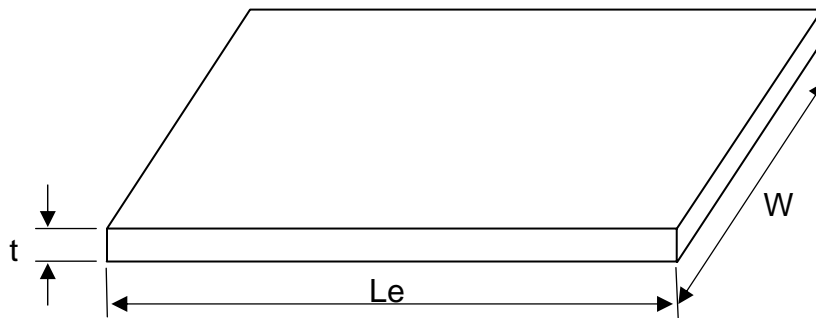


Figure. (3)

Table (1): Factor Plan Matrix

$$N=2^3+2.3+1$$

No. of experiments	Factor level					
	F.L.	(B) TL	F.L.	(C) mm	F.L.	V) mm/min
1	-1	(0.2)	-1	(1)	-1	(100)
2	+1	(0.8)	-1	(1)	-1	(100)
3	-1	(0.2)	+1	(4)	-1	(100)
4	+1	(0.8)	+1	(4)	-1	(100)
5	-1	(0.2)	-1	(1)	+1	(250)
6	+1	(0.8)	-1	(1)	+1	(250)
7	-1	(0.2)	+1	(4)	+1	(250)
8	+1	(0.8)	+1	(4)	+1	(250)
9	-1.2	(-0.96)	0	(2.5)	0	(175)
10	+1.2	(+0.96)	0	(2.5)	0	(175)
11	0	(0.5)	-1.215	(-4.86)	0	(175)
12	0	(0.5)	+1.215	(+4.86)	0	(175)
13	0	(0.5)	0	(2.5)	-1.215	(300)
14	0	(0.5)	0	(2.5)	+1.215	(300)
15	0	(0.5)	0	(2.5)	0	(175)

**Note:** -1 \_ minimum value, +1 \_ maximum value, 0 \_mid value  
 Then we can get the relation:



$$F = f(B, C, V), \quad F\text{-The criteria } (R_a, R_z, R_{max}, S_m, r_1, r_2, t_p)$$

**Table (2): Experimental Results**

No. of experiments	$R_a$ $\mu m$	$R_z$ $\mu m$	$R_{max}$ $\mu m$	$S_m$ $\mu m$	$r_1$ $\mu m$	$r_2$ $\mu m$	$t_p$ %
1	0.34	1.12	1.6	30.2	32.2	63.7	55
2	0.27	0.91	1.4	20.3	48.1	85.7	54
3	0.19	0.22	0.29	17.0	123.4	59.2	60
4	0.105	0.21	0.28	11.85	55.5	130.1	62
5	0.09	0.19	0.18	10.6	171.2	129	65
6	0.24	1.12	0.85	22.6	70.5	78.4	57
7	0.30	0.95	1.30	27.3	50.1	61.2	54
8	0.21	0.82	1.55	18.4	86	70.1	60
9	0.09	0.19	0.23	17.7	98.4	88.2	67
10	0.08	0.14	0.2	15.5	121	79.5	68
11	0.11	0.2	0.25	16.8	87	90.2	66
12	0.07	0.16	0.19	16.6	99.1	87	67
13	0.19	0.22	0.24	17.5	123	145	65
14	0.28	0.16	0.208	25.3	263.7	205	61
15	0.17	0.20	0.26	16.63	124.0	59.0	60

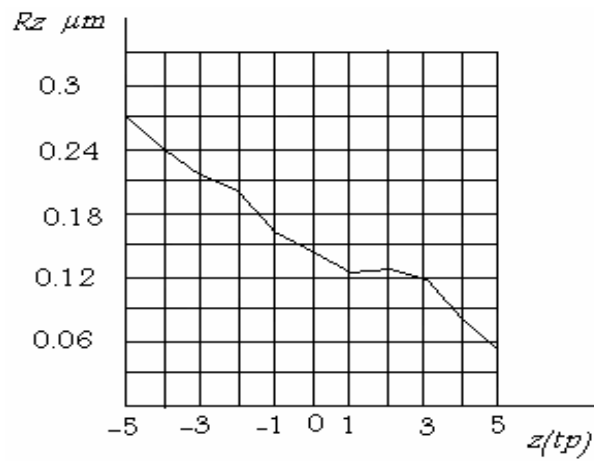


Figure.(4) Graph of Support Curve by MAF

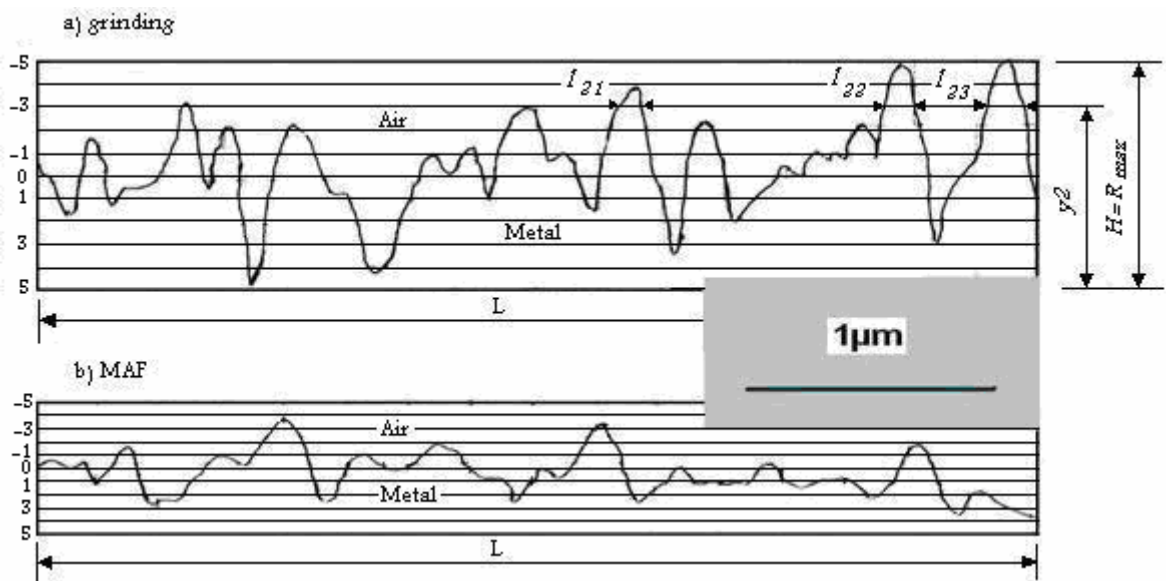


Figure.(5) Surface Profilogram Formed by MAF and Grinding.

Table (3)

	$y_0$	$y_1$	$y_2$	$y_3$	$y_4$	$y_5$	$y_6$	$y_7$	$y_8$	$y_9$	$y_{10}$
$y$ ( $\mu\text{m}$ )	0.14	0.125	0.163	0.135	0.205	0.12	0.22	0.07	0.24	0.06	0.27
Z	0	+1	-1	+2	-2	+3	-3	+4	-4	+5	-5