



**University of Dundee**

**ISGylation-independent protection of cell growth by USP18 following interferon stimulation**

Clancy, Anne; Rusilowicz-Jones, Emma V.; Wallace, Iona; Swatek, Kirby N.; Urbé, Sylvie; Clague, Michael J.

*Published in:*  
Biochemical Journal

*DOI:*  
[10.1042/BCJ20230301](https://doi.org/10.1042/BCJ20230301)

*Publication date:*  
2023

*Licence:*  
CC BY

*Document Version*  
Publisher's PDF, also known as Version of record

[Link to publication in Discovery Research Portal](#)

*Citation for published version (APA):*

Clancy, A., Rusilowicz-Jones, E. V., Wallace, I., Swatek, K. N., Urbé, S., & Clague, M. J. (2023). ISGylation-independent protection of cell growth by USP18 following interferon stimulation. *Biochemical Journal*, 480(19), 1571-1581. <https://doi.org/10.1042/BCJ20230301>

**General rights**

Copyright and moral rights for the publications made accessible in Discovery Research Portal are retained by the authors and/or other copyright owners and it is a condition of accessing publications that users recognise and abide by the legal requirements associated with these rights.

**Take down policy**

If you believe that this document breaches copyright please contact us providing details, and we will remove access to the work immediately and investigate your claim.

Research Article

# ISGylation-independent protection of cell growth by USP18 following interferon stimulation

Anne Clancy<sup>1</sup>, Emma V. Rusilowicz-Jones<sup>1</sup>, Iona Wallace<sup>2</sup>, Kirby N. Swatek<sup>2</sup>, Sylvie Urbé<sup>1</sup> and  Michael J. Clague<sup>1</sup>

<sup>1</sup>Biochemistry, Cell and Systems Biology, Institute of Systems, Molecular and Integrative Biology, University of Liverpool, Crown St., Liverpool L69 3BX, U.K.; <sup>2</sup>MRC Protein Phosphorylation and Ubiquitylation Unit, School of Life Sciences, University of Dundee, Dundee DD1 5EH, U.K.

**Correspondence:** Michael J. Clague ([clague@liv.ac.uk](mailto:clague@liv.ac.uk)) or Sylvie Urbé ([urbe@liv.ac.uk](mailto:urbe@liv.ac.uk))



Type 1 interferon stimulation highly up-regulates all elements of a ubiquitin-like conjugation system that leads to ISGylation of target proteins. An ISG15-specific member of the deubiquitylase family, USP18, is up-regulated in a co-ordinated manner. USP18 can also provide a negative feedback by inhibiting JAK–STAT signalling through protein interactions independently of DUB activity. Here, we provide an acute example of this phenomenon, whereby the early expression of USP18, post-interferon treatment of HCT116 colon cancer cells is sufficient to fully suppress the expression of the ISG15 E1 enzyme, UBA7. Stimulation of lung adenocarcinoma A549 cells with interferon reduces their growth rate but they remain viable. In contrast, A549 USP18 knock-out cells show similar growth characteristics under basal conditions, but upon interferon stimulation, a profound inhibition of cell growth is observed. We show that this contingency on USP18 is independent of ISGylation, suggesting non-catalytic functions are required for viability. We also demonstrate that global delISGylation kinetics are very slow compared with deubiquitylation. This is not influenced by USP18 expression, suggesting that enhanced ISGylation in USP18 KO cells reflects increased conjugating activity.

## Introduction

Upon challenge with type 1 interferon, cells up-regulate hundreds of interferon-stimulated genes (ISGs) [1]. Amongst these are a ubiquitin related molecule, ISG15 and enzymes which specifically mediate its conjugation; the E1 and E2 ligases UBA7 (UBE1L) and UBCH8 (UBE2L6), respectively [2–4]. Ubiquitin-like modifications are counteracted by specific peptidases, which in the case of ubiquitin itself fall within a super-family of enzymes called deubiquitylases (DUBs) [5]. The largest sub-family of DUBs are the ubiquitin-specific proteases (USPs). Whilst these are largely promiscuous across ubiquitin chain linkage types, some have acquired a more stringent selectivity [5,6]. For example, CYLD shows specificity for linear and Lys63-linked ubiquitin chains [7,8]. One member, USPL1, is dedicated to SUMO modifications rather than ubiquitin, whilst USP18 is highly selective for ISG15 [9–13]. USP18 is also one of the most prominent ISGs [14].

Knock-out (KO) of USP18 leads to enhanced ISG15 conjugation. However, this cannot account for phenotypes observed in USP18<sup>−/−</sup> mice, such as brain injury and early death [15]. ISG15<sup>−/−</sup> mice are healthy, but when both KOs are combined, the USP18 associated defects prevail [16,17]. USP18 negatively regulates JAK–STAT signalling independently of its isopeptidase activity by binding to the IFNAR2 sub-unit of the type 1 interferon receptor and interfering with the JAK receptor interaction [18,19]. The JAK–STAT pathway is activated and prolonged in USP18<sup>−/−</sup> cells following interferon stimulation leading to increased production of ISGs and greater resistance to cytopathic effects caused by a number of viral infections [20,21]. Enhanced JAK–STAT signalling upon USP18 deletion in mice does not reflect a simple loss of isopeptidase activity and is independent of ISG15 conjugation, as it is retained by double KO mice for ISG15 or UBA7 [22].

Received: 21 July 2023  
 Revised: 20 September 2023  
 Accepted: 26 September 2023

Accepted Manuscript online:  
 26 September 2023  
 Version of Record published:  
 9 October 2023

The most prominent line of research regarding USP18 has been to investigate its role as part of the innate immune response to infection. Absence of USP18 leads to increased resistance to viral infections, some of which can be recapitulated by loss of enzymatic activity [21,23]. There is also strong interest in USP18 as a potential therapeutic target in oncology [24]. USP18 levels are elevated in diverse cancers and loss of USP18 has been shown to be tumour suppressive in mouse models of human mammary cancer [25,26]. A breast cancer model in a UBA7 KO mouse has also indicated a tumour suppressor function of ISGylation. In the same model a similar suppression was observed with catalytically inactive USP18<sup>C61A/C61A</sup> knock-in mice, which also show higher levels of ISGylation [27]. Interferon stimulation renders cell viability contingent on USP18 expression [20,28–30]. There have been some contradictory reports as to whether catalytic activity is required for this effect, based on rescue experiments with catalytically inactive versions of USP18 [28,30]. This is compounded by clear species differences in its biology [31]. Here, we have used an orthologous approach to resolve this controversy for human cell lines, thus clarifying appropriate strategies for therapeutic targeting.

The human genome contains seven E1 enzymes that are devoted to ubiquitin or related molecules. Inhibitors specific for UBA1 (ubiquitin, TAK-243) and UBA3 (NEDD8, MLN4924) have been characterised and entered clinical trials [32,33]. No specific inhibitors have been described that target UBA7, the E1 specific to the ISGylation cascade [34]. Here we have used acute application of a pan-E1 inhibitor, compound 1, to block all ubiquitin-like conjugation activities [35]. This has allowed us to compare the kinetics of dissipation of the ISGylome with the ubiquitylome and to assess the role of USP18 in this regard.

## Materials and methods

### Cell culture

A549, U2OS and MCF7 cells were cultured in DMEM with GlutaMAX + 10% FBS, H1650 and H1975 cells in RPMI + 10% FBS, HCT116 in McCoys media + 10% FBS and RPE1 cells in DMEM/F12 media + 10% FBS, at 37°C and 5% CO<sub>2</sub>. Cells were routinely checked for mycoplasma. IFN $\beta$  (Peprotech) was made up in PBS/1% BSA and added to media at 50 pM. Compound 1 (Merck/Astatech) was made up in DMSO and added to media at 25  $\mu$ M. For siRNA experiments, cells were treated with 20 nM of non-targeting (NT1) or target-specific siRNA oligonucleotides (Dharmacon On-Target Plus), using Lipofectamine RNAi-MAX (Invitrogen) according to manufacturer's instructions. Medium was exchanged 24 h after transfection.

### MTS assay

CellTiter 96<sup>®</sup> Aqueous One Solution Cell Proliferation Assay, Promega. Cells were grown in 96 well plates, 100  $\mu$ l per well, 20  $\mu$ l of assay reagent was added and incubated for 2–4 h at 37°C and 5% CO<sub>2</sub>, subsequently absorbance was read at 490 nM.

### Colony assay

Cells were seeded in a 24 well plate at 20–25 cells per well, 24 h later relevant wells were treated with 50 pM IFN $\beta$ . After 8–14 days of growth, cells were fixed in methanol at –20°C and stained with 1 mg/ml crystal violet, in 20% methanol. Plates were photographed and scanned (GelCount, Oxford Optronix), area and colonies per well were calculated with GelCount software.

### Incucyte growth assay

Cells were grown in the presence or absence of 50 pM IFN $\beta$  for 24 h, then replated at 3000 cells/cm<sup>2</sup> in 96 well plates in triplicate. Four frames per well were imaged every 6 h, 10 $\times$  objective in an Incucyte (Essen Biosciences) at 37°C and 5% CO<sub>2</sub>. Percentage confluence was calculated with Incucyte analysis software.

### USP18 KO cell generation

KO cells were generated using CRISPR–Cas9 technology with three independent USP18 specific sgRNAs targeting exon 3 (sgRNA1: TCAGGTGTTTCGTAATGAATG, sgRNA2: AATCAAGGAGTTAAGGCAGC, sgRNA3: CTGGTTGGTTTACACAACAT). These sgRNAs were cloned into the pSpCas9(BB)-2A-GFP (PX458) vector (a gift from Feng Zhang, Addgene plasmid #48138) and transfected into A549 cells. GFP-positive cells were FACS sorted 24 h after transfection and single cell diluted. Individual clones were amplified and characterised by Western blotting and genomic DNA sequencing. Clone 3 was selected for use in further experiments.

## Lysis and Western blot analysis

Cultured cells were lysed for 10 min on ice in RIPA buffer (10 mM Tris-HCl pH 7.5, 150 mM NaCl, 1% Triton X-100, 0.1% SDS, 1% sodium deoxycholate) supplemented with mammalian protease inhibitor cocktail and PhosSTOP (SIGMA). Proteins were resolved using SDS-PAGE (Invitrogen NuPage gel 4–12%), transferred to nitrocellulose membrane, blocked in 5% fat-free milk or 5% bovine serum albumin in TBS supplemented with Tween-20, and probed with primary antibodies. Visualisation and quantification of Western blots were performed using IRdye 800CW and 680LT coupled secondary antibodies and an Odyssey infrared scanner (LI-COR Biosciences, Lincoln, NE).

## In vitro ISG15 charging assay

E1 charging reactions were performed by mixing 3  $\mu$ M fluorescent ISG15 with 2.5  $\mu$ M E1 enzyme (UBA7) for 15 min in reaction buffer (50 mM HEPES pH 7.5, 150 mM NaCl, 5 mM  $MgCl_2$ , 5 mM ATP). Reactions were stopped by diluting the sample 10-fold in quenching buffer (50 mM HEPES pH 7.5, 150 mM NaCl, 100 mM EDTA). DMSO (1%) or the E1 inhibitor (25  $\mu$ M) was then added to the quenched E1 charging reactions and incubated for 20 min. To assess E1 inhibition, 2  $\mu$ M E2 enzyme (UBCH8) was added for 15 min and reactions were stopped in 4 $\times$  LDS sample buffer ( $\pm$ DTT, as indicated). The samples were resolved by SDS-PAGE gels and E1/E2 charging was visualised by fluorescent imaging.

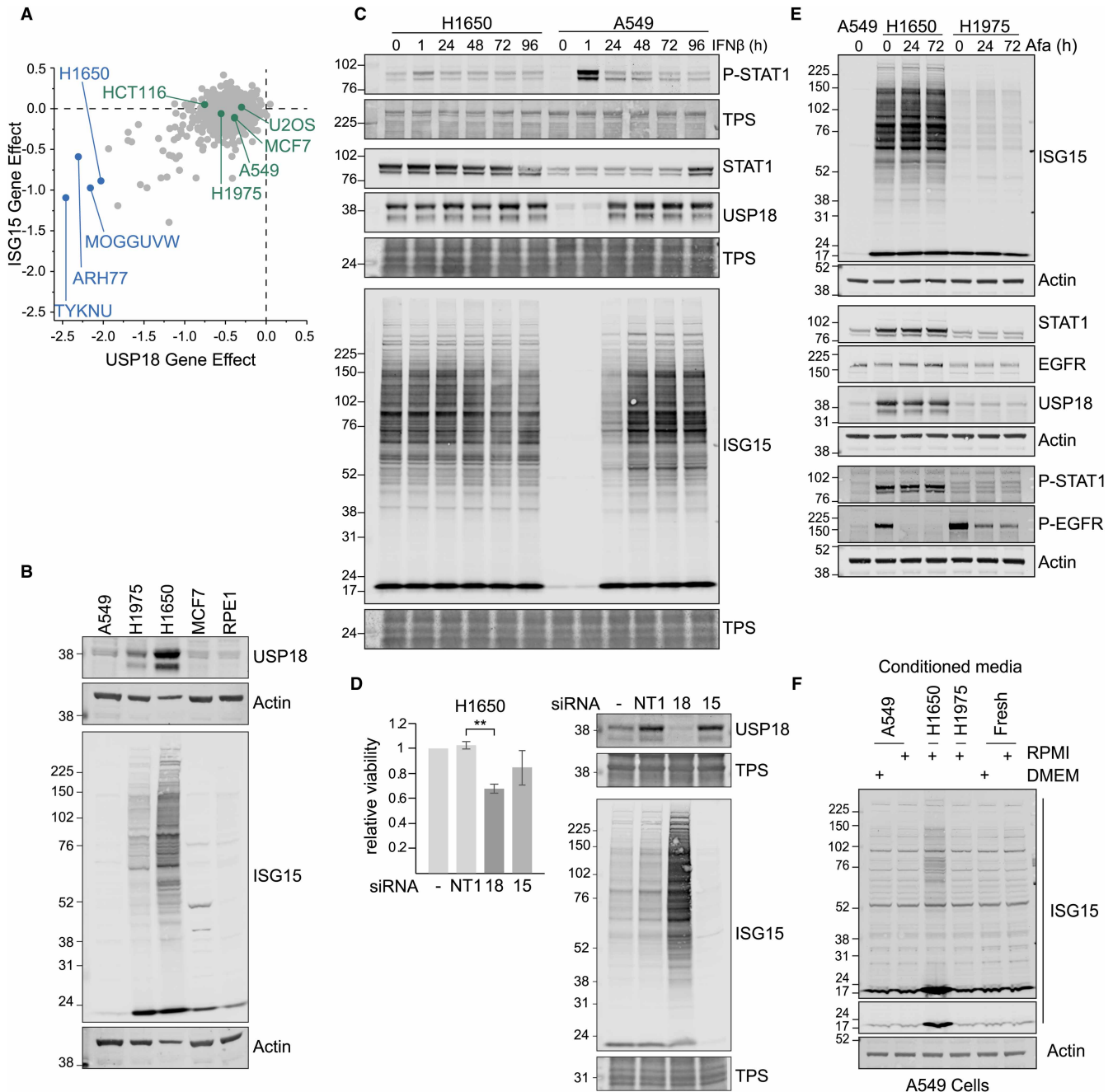
## Results

### High basal expression and USP18 sensitivity in H1650 cells reflects constitutive STAT1 activation

By consulting global CRISPR/Cas9 screening data for cell viability across hundreds of cell lines, we observe that USP18 and ISG15 are highly correlated with each other but anti-correlated with components of the interferon signalling system [36,37]. A small number of cell lines are highly sensitive to both ISG15 or USP18 loss, indicated in Figure 1A where the effect of a specific gene loss in each cell line is given a score for cell viability relative to the average score across all genes. We speculated that this is related to the known loss of cell viability reported for a variety of cell lines when interferon stimulation and USP18 loss are combined. The best studied and most readily available of these outlying cell lines are the H1650 lung cancer line. We confirmed that H1650 cells express high levels of USP18 under basal conditions, compared with other cell lines (Figure 1B). This is accompanied by elevated levels of ISG15 and ISGylation that resemble interferon stimulated lung adenocarcinoma cells (A549) and is likely due to constitutive STAT1 activation (Figure 1B,C). In these H1650 cells levels of ISGylation cannot be further enhanced by acute interferon stimulation. There is some basal elevation of ISGylation and USP18 in H1975 lung cancer cells (Figure 1B), but presumably not enough to generate a dependency according to data presented in Figure 1A. We next showed that siRNA depletion of USP18 in H1650 cells reduces cell viability in accordance with the screening data (Figure 1D). We investigated why H1650 cells show constitutive activation of ISGylation. They carry an activating EGFR mutation, but 72 h treatment with a selective EGFR inhibitor (Afatinib) had no effect on STAT1 phosphorylation status or expression of USP18 and ISG15 (Figure 1E). Furthermore, proteomic analysis of protein expression indicates that STAT2 levels are high in this cell line [38], so the high levels of USP18 cannot result from the loss of negative regulation via STAT2, which has been reported by Arimoto et al. [19]. In fact, constitutive ISGylation must represent autocrine activation in these cells as the application of H1650 conditioned media to A549 cells induces ISGylation in those cells in distinction to conditioned media derived from A549 or H1975 cells (Figure 1F).

### Differential response of the ISGylation cascade components to interferon reveals repression of UBA7 by USP18

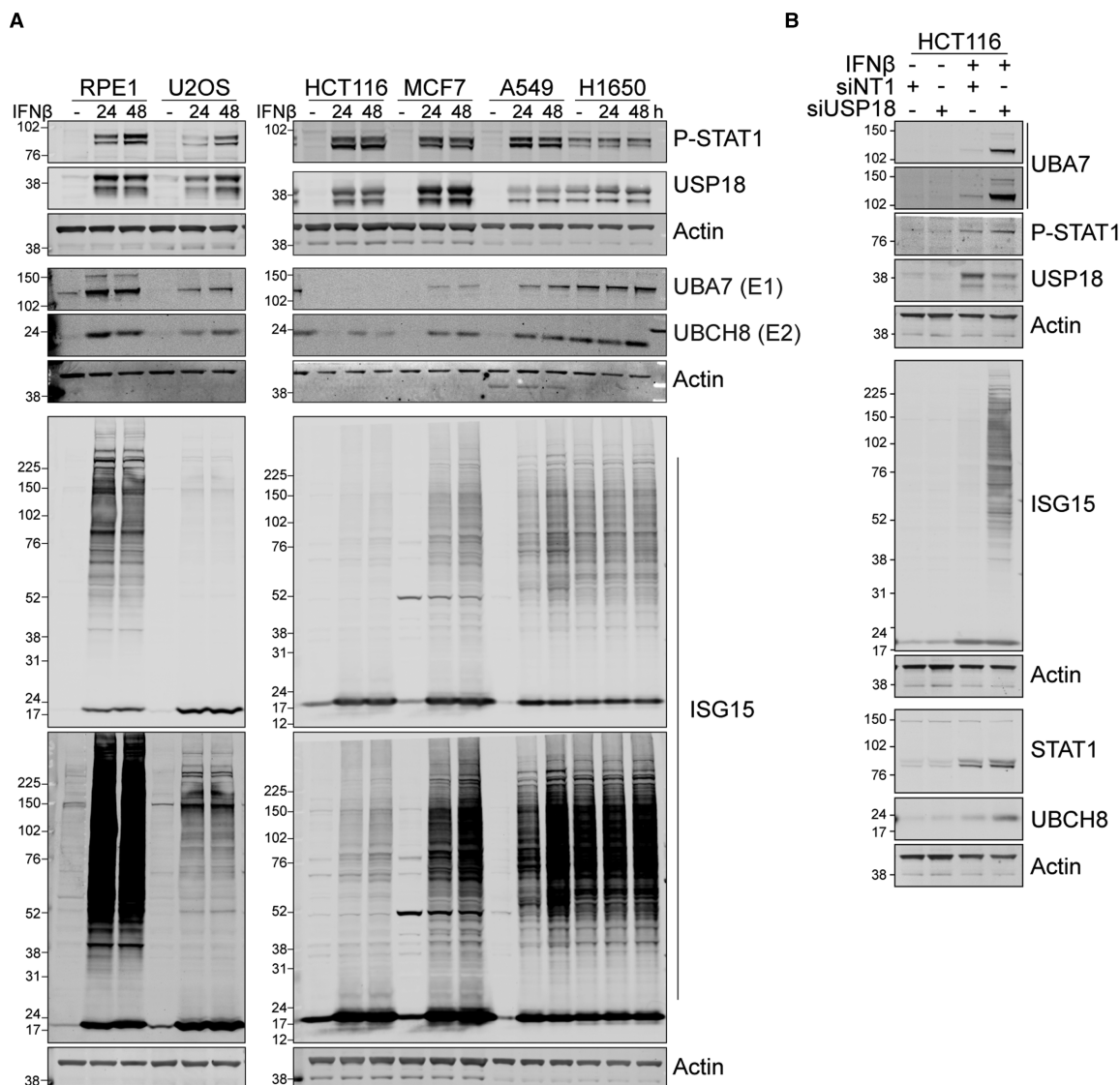
We next surveyed six cell lines for their responsiveness to interferon with respect to ISGylation components USP18, UBA7 (E1) and the cognate E2, UBCH8. HCT116 colon cancer cells were distinct from other cell lines. USP18 and ISG15 expression is efficiently induced in these cells but UBA7 is not discernible and UBCH8 highly reduced (Figure 2A). A less stringent suppression of UBA7 is also seen with MCF7 breast cancer cells, which also express high levels of USP18 (Figure 2A). This lack of UBA7 renders HCT116 cells defective in up-regulating ISGylation despite intact interferon signalling. Consequently, depletion of USP18 restores interferon-dependent UBA7/UBCH8 expression in HCT116 cells and ISGylation (Figure 2B).



**Figure 1. High constitutive levels of USP18 in H1650 cells reflect pSTAT1 status and render them sensitive to USP18 depletion.**

(A) Correlation of Gene Dependency Score (CRISPR (Depmap Public 23Q2 + Score, Chronos)) across cell lines predicts H1650 cell line co-dependency on USP18 and ISG15. Data have been downloaded from the Depmap portal [37]. Major USP18 dependent outliers are indicated in blue, green labels depict other cell lines used during the course of this study. (B) Comparison of USP18 and ISGylation levels across cell lines. (C) Contrasting responses of H1650 and A549 cells to IFN $\beta$  stimulation (50 pM), constitutive versus induced USP18 expression and ISGylation. TPS, total protein stain. (D) MTS assay for H1650 cell viability following siRNA-mediated depletion of USP18 or ISG15 for 96 h (right panel),  $n = 3$ , error bars represent standard deviation, \*\*  $P < 0.01$ ; one-way ANOVA with Tukey Multiple comparisons test. (E) H1650 and H1975 cells subjected to EGFR inhibition with Afatinib (50 nM). (F) Media were conditioned on the indicated cells for 72 h and then applied to A549 cells as indicated for 48 h. Fresh: Unconditioned media.



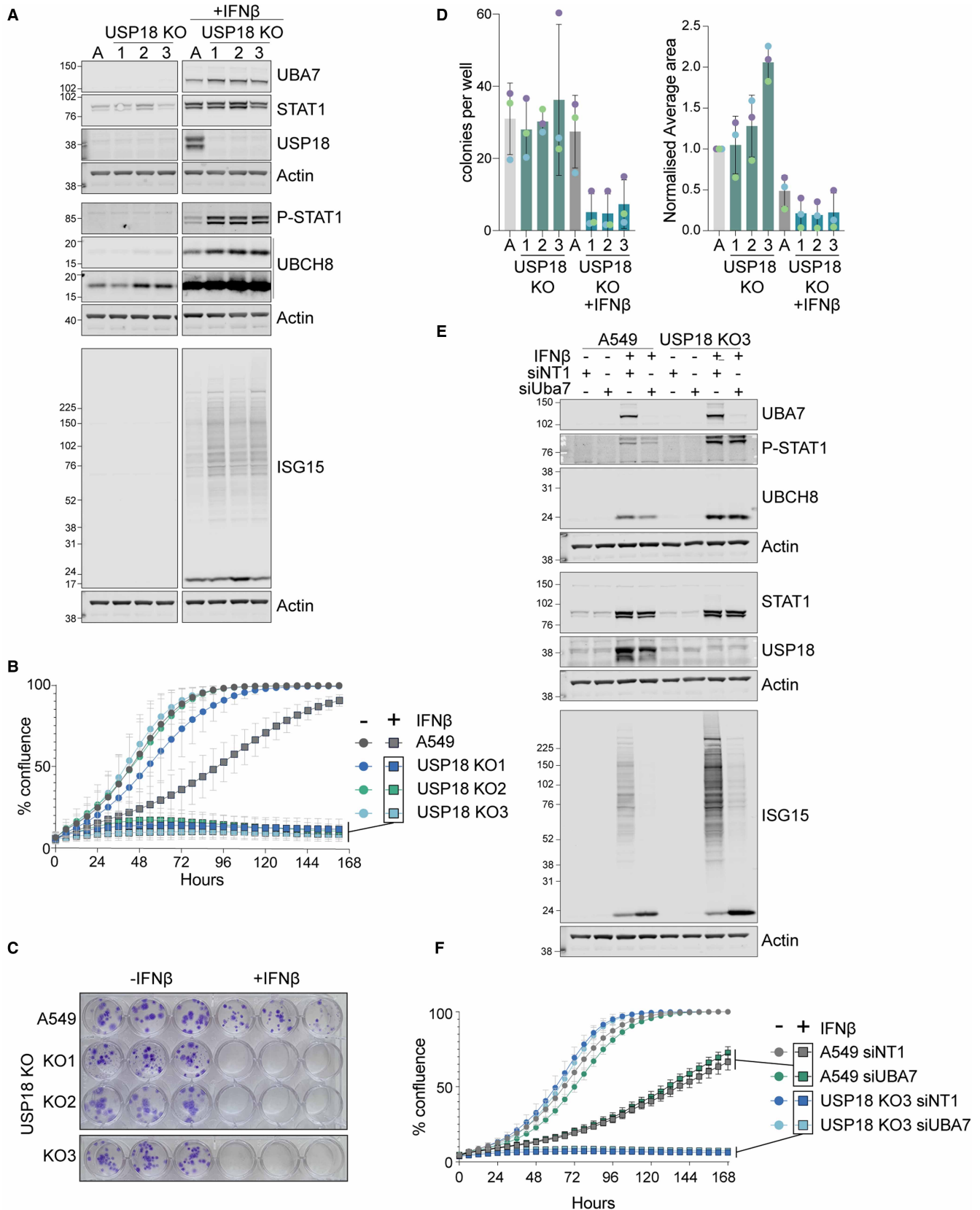


**Figure 2. Differential responses to IFNβ stimulation reveal USP18 dependent suppression of UBA7 expression and ISGylation in HCT116 cells.**

(A) IFNβ induction of ISG15-conjugating enzymes, USP18 and ISGylation across multiple cell types (B) Depletion of USP18 by siRNA restores IFNβ (50 pM, 68 h) induction of UBA7 and ISGylation in HCT116 cells.

## Interferon contingency is independent of UBA7 in USP18 KO cells

We used CRISPR–Cas9 gene editing to generate A549 USP18 KO cell clones, which show a characteristic up-regulation of pSTAT1 and ISGylation upon acute interferon stimulation (Figure 3A). Using an Incucyte imaging system to measure cell growth, we observe that interferon stimulation retards growth of wild type parental cells, but completely blocks any growth of USP18 KO cells (Figure 3B). A similarly dramatic effect is seen with an orthologous colony formation assay (Figure 3C,D). To ask if this might reflect the enhanced ISGylation, we depleted UBA7 in these cell lines using siRNA. Importantly, following interferon stimulation, the small amount of residual ISGylation in these UBA7-depleted cells is significantly below the levels of ISGylation in the parental cell lines, which exhibit cell growth under interferon stimulation (Figure 3E). Thus, if the effect of USP18 loss on cell viability is dependent on its suppression of ISGylation then cell growth should be restored by depletion of UBA7. Our data, which show no impact of UBA7 depletion on cell viability clearly discount this and instead support a model whereby USP18 protects from interferon independently of deISGylation activity (Figure 3F).



**Figure 3. USP18 KO A549 cell growth is sensitive to IFN $\beta$  stimulation independent of UBA7 expression and ISGylation capacity.** Part 1 of 2

(A) Characterisation of the IFN $\beta$  response (50 pM, 24 h) of three individual USP18 KO clones (1,2,3) response to IFN $\beta$ , 50 pM for 24 h. A: parental

**Figure 3. USP18 KO A549 cell growth is sensitive to IFN $\beta$  stimulation independent of UBA7 expression and ISGylation capacity.** Part 2 of 2 A549 cells. (B) Incucyte cell growth assay for parental and USP18 KO A549 cells  $\pm$ IFN $\beta$ . (C) Colony formation assay for parental and USP18 KO A549 cells  $\pm$ IFN $\beta$  (50 pM) visualised after 14 days. (D) Quantitation of colony formation assays,  $n = 3$ , error bars represent standard deviation. (E) Effect of siRNA-mediated depletion (72 h) of UBA7 on ISGylation in parental and USP18 KO A549 cells, (IFN $\beta$  50 pM, 68 h). (F) Incucyte cell growth assay for parental and USP18 KO A549 cells  $\pm$ IFN $\beta$  and  $\pm$ UBA7.

## ISGylation is a highly stable post-translational modification

With isogenic A549 cells  $\pm$ USP18 in hand, we designed an experiment to determine its effects on the global turnover of ISGylation, first by accumulating ISGylation with interferon stimulation and subsequently applying a pan-E1 inhibitor, compound 1, whilst withdrawing interferon (Figure 4A,B) [39]. To limit complications owing to toxicity, we have then monitored the decay of global ISGylation and ubiquitylation for a relatively short time period of 6 h (Figure 4A). We adjusted the loading of samples on the gels to reflect roughly equal levels of ISGylation at time zero (four times more sample for parental compared with USP18 KO) or ubiquitylation (equal protein loaded). The adjusted loading also makes it easier to visualise differences in banding patterns on ISG15 blots between the parental and KO cells. In setting up this experiment we hoped to be able to estimate the contribution of USP18 to the deISGylation kinetics. However to our surprise the level of ISGylation remained constant across all identifiable bands over this 6 h chase interval (Figure 4B). Deubiquitylation is striking and rapid, complete within 2 h, similar to previous reports using a specific UBA1 inhibitor [40], confirming compound activity on intact cells. The compound is clearly active on the ubiquitin and ISG15 conjugation cascade as evidenced by pronounced deubiquitylation and discharge of the thioester linked ISG15 from UBA7 and ubiquitin from the E2 enzyme UBC13, revealed on non-reducing gels by the increase in the lower molecular weight uncharged forms (Figure 4C). This was further confirmed with an *in vitro* assay using purified UBA7 and UBCH8, where application of the pan-E1 inhibitor leads to loss of ISG15-charged enzymes (Figure 4D). Thus in A549 cells, ISGylation is a highly stable post-translational modification even when USP18 expression has been induced by 24 h interferon stimulation. This indicates that the increased levels of ISGylation in USP18 KO cells reflects increased conjugation rather than decreased deISGylation activity, in accord with increased UBA7 and UBCH8 levels (Figure 2). Any conceivable alternative interpretation of our results would require that there is a residual ISG15-conjugating activity that exactly balances deconjugating activity, which we think is unlikely.

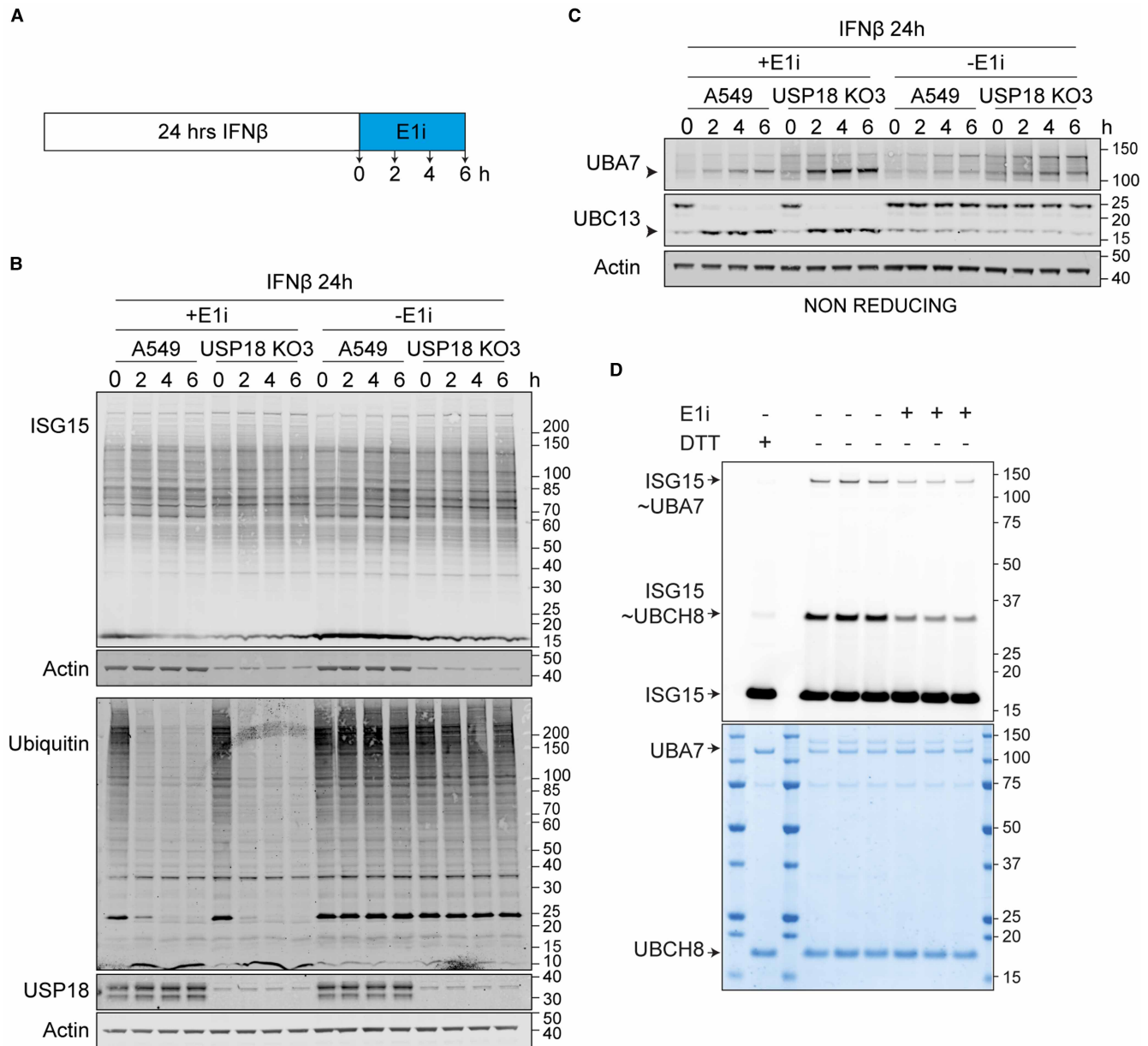
## Discussion

The contingency of cell growth/survival on USP18 expression under interferon stimulatory conditions offers a therapeutic opportunity. Many tumour types show elevated expression of interferon-responsive genes including USP18 relative to neighbouring tissue [24]. With the advancement of specific small molecule inhibitors of USP family members [41–45], USP18 has attracted considerable attention as a potential small molecule target. To clarify any future drug development strategy, we set out to resolve conflicting reports as to whether USP18 catalytic activity is required for its pro-survival effect. Rather than use a rescue approach with wild-type versus catalytically inactive proteins, we have adopted an alternative strategy of suppressing ISGylation in A549 cells and showing that a dependency upon USP18 expression is 100% maintained. Our key observations are summarised in Figure 5 and concur with previous findings in mouse models [22]. It implies that the principal effect of USP18 relevant to cell growth is attenuation of JAK/STAT signalling in a catalytically independent manner. Thus our study supports the case for USP18 as a therapeutic target, but suggests that the appropriate strategy will be to develop PROTAC molecules rather than catalytic inhibitors. In fact any such inhibitors which may be in the pipeline could be further developed as PROTACs.

HCT116 colon cancer cells provide a striking illustration of the profound negative feedback effect exerted by USP18. In these cells, USP18 is expressed following interferon stimulation, yet in distinction to other cell types, there is minimal induction of ISGylation, UBA7 and UBCH8. We show that it is the presence of USP18, rather than an intrinsic unresponsiveness to interferon of these cells, that prevents this expression. We propose that differences in timing of expression can affect the outcome between different cell types. If USP18 is able to accumulate ahead of other ISG-responsive proteins, then it can effectively suppress the entire ISGylation cascade.

With isogenic USP18 KO cells in hand, we assumed that we would have one of the necessary tools to assess the contribution of USP18 to the cellular dynamics of deISGylation. We also expected this may be against a

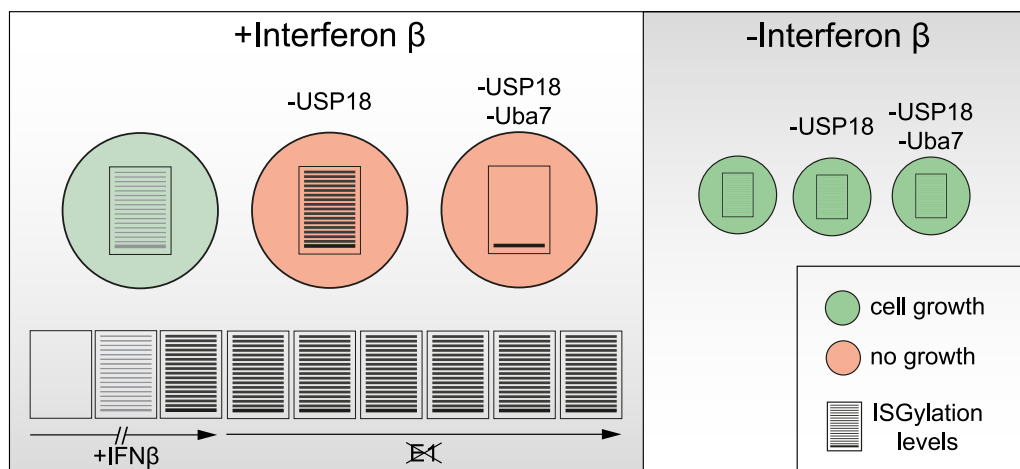




**Figure 4. Global delISGylation kinetics.**

(A–C) A549 WT and USP18 KO cells were treated with 50 pM IFN $\beta$  for 24 h to accumulate ISGylated proteins. IFN $\beta$  was then removed and cells were treated with a pan-E1 inhibitor, compound 1 (E1i, 25  $\mu$ M) for the indicated times. Samples were analysed on (B) reducing and (C) non-reducing gels. For analysing ISGylation, four times less protein was loaded for USP18 KO samples compared with A549 WT in order to equalise starting levels of ISG15. (D) E1 enzyme inhibition assay. The E1 inhibitor (E1i) was first added to preformed UBA7 ~ ISG15 conjugates (using fluorescently labelled ISG15) and then UBCH8 enzyme was added to the reaction. E1 and E2 charging was monitored by fluorescent imaging of SDS–PAGE gels (upper panel, coomassie stain lower panel), ‘~’ denotes a thioester bond.

background of promiscuous DUBs, as the C-terminal regions of ubiquitin and ISG15 are identical [46,47]. The other tool required is a means to acutely switch off ISGylation following the accumulation of a global ISGylation signal and significant levels of USP18 following interferon stimulation. For ubiquitylation this is achieved by the application of a specific UBA1 inhibitor i.e. TAK-243. No such specific inhibitor for UBA7 exists to our knowledge and we have therefore turned to using a pan-E1 inhibitor. This led us to our third major result; the surprising observation that once attached, ISGylation is a very stable post-translational



**Figure 5. Interferon induces stable ISGylation and ISGylation-independent contingency on USP18 for cell growth.** Graphical summary of major findings of this study in A549 cells.

modification, with no evidence of decay over a six hour period as depicted in Figure 5. This observation rendered our line of enquiry into USP18 moot, but further serves to emphasise the pre-eminence of non-catalytic roles of USP18.

### Data Availability

All relevant data is included within the main text.

### Competing Interests

The authors declare that there are no competing interests associated with the manuscript.

### Funding

M.J.C. holds a Royal Society Industry Fellowship, INF\R2\212031. K.N.S. is supported by the Medical Research Council (MC\_UU\_00018/10), Royal Society (RGS\_R2\_222185), and holds a Lister Institute Prize Fellowship.

### Open Access

Open access for this article was enabled by the participation of University of Liverpool in an all-inclusive *Read & Publish* agreement with Portland Press and the Biochemical Society under a transformative agreement with JISC.

### CRedit Author Contribution

**Michael J. Clague:** Conceptualization, Resources, Funding acquisition, Writing — original draft, Project administration, Writing — review and editing. **Anne Clancy:** Data curation, Formal analysis, Investigation, Methodology, Writing — review and editing. **Emma V. Rusilowicz-Jones:** Formal analysis, Investigation, Writing — review and editing. **Iona Wallace:** Formal analysis, Investigation. **Kirby Swatek:** Resources, Supervision, Writing — review and editing. **Sylvie Urbe:** Conceptualization, Supervision, Funding acquisition, Writing — original draft, Writing — review and editing.

### Abbreviations

DUBs, deubiquitylases; ISGs, interferon-stimulated genes; KO, knock out; USPs, ubiquitin-specific proteases.

### References

- Schoggins, J.W. (2019) Interferon-stimulated genes: what do they all do? *Annu. Rev. Virol.* **6**, 567–584 <https://doi.org/10.1146/annurev-virology-092818-015756>
- Yuan, W. and Krug, R.M. (2001) Influenza B virus NS1 protein inhibits conjugation of the interferon (IFN)-induced ubiquitin-like ISG15 protein. *EMBO J.* **20**, 362–371 <https://doi.org/10.1093/emboj/20.3.362>

- 3 Kim, K.I., Giannakopoulos, N.V., Virgin, H.W. and Zhang, D.E. (2004) Interferon-inducible ubiquitin E2, Ubc8, is a conjugating enzyme for protein ISGylation. *Mol. Cell. Biol.* **24**, 9592–9600 <https://doi.org/10.1128/MCB.24.21.9592-9600.2004>
- 4 Zhao, C., Beaudenon, S.L., Kelley, M.L., Waddell, M.B., Yuan, W., Schulman, B.A. et al. (2004) The UbcH8 ubiquitin E2 enzyme is also the E2 enzyme for ISG15, an IFN-alpha/beta-induced ubiquitin-like protein. *Proc. Natl Acad. Sci. U.S.A.* **101**, 7578–7582 <https://doi.org/10.1073/pnas.0402528101>
- 5 Clague, M.J., Urbe, S. and Komander, D. (2019) Breaking the chains: deubiquitylating enzyme specificity begets function. *Nat. Rev. Mol. Cell Biol.* **20**, 338–352 <https://doi.org/10.1038/s41580-019-0099-1>
- 6 Faesen, A.C., Luna-Vargas, M.P.A., Geurink, P.P., Clerici, M., Merckx, R., van Dijk, W.J. et al. (2011) The differential modulation of USP activity by internal regulatory domains, interactors and eight ubiquitin chain types. *Chem. Biol.* **18**, 1550–1561 <https://doi.org/10.1016/j.chembiol.2011.10.017>
- 7 Komander, D., Lord, C.J., Scheel, H., Swift, S., Hofmann, K., Ashworth, A. et al. (2008) The structure of the CYLD USP domain explains its specificity for Lys63-linked polyubiquitin and reveals a B box module. *Mol. Cell* **29**, 451–464 <https://doi.org/10.1016/j.molcel.2007.12.018>
- 8 Komander, D., Reyes-Turcu, F., L., J.D.F., Odenwaelder, P., Wilkinson, K.D. and Barford, D. (2009) Molecular discrimination of structurally equivalent Lys63-linked and linear polyubiquitin chains. *EMBO Rep.* **10**, 466–473 <https://doi.org/10.1038/embor.2009.55>
- 9 Malakhov, M.P., Malakhova, O.A., Kim, K.I., Ritchie, K.J. and Zhang, D.E. (2002) UBP43 (USP18) specifically removes ISG15 from conjugated proteins. *J. Biol. Chem.* **277**, 9976–9981 <https://doi.org/10.1074/jbc.M109078200>
- 10 Schulz, S., Chachami, G., Kozackiewicz, L., Winter, U., Stankovic-Valentin, N., Haas, P. et al. (2012) Ubiquitin-specific protease-like 1 (USPL1) is a SUMO isopeptidase with essential, non-catalytic functions. *EMBO Rep.* **13**, 930–938 <https://doi.org/10.1038/embor.2012.125>
- 11 Basters, A., Geurink, P.P., El Oualid, F., Ketscher, L., Casutt, M.S., Krause, E. et al. (2014) Molecular characterization of ubiquitin-specific protease 18 reveals substrate specificity for interferon-stimulated gene 15. *FEBS J.* **281**, 1918–1928 <https://doi.org/10.1111/febs.12754>
- 12 Basters, A., Geurink, P.P., Rocker, A., Witting, K.F., Tadayon, R., Hess, S. et al. (2017) Structural basis of the specificity of USP18 toward ISG15. *Nat. Struct. Mol. Biol.* **24**, 270–278 <https://doi.org/10.1038/nsmb.3371>
- 13 Li, Y., Varejao, N. and Reverter, D. (2022) Structural basis for the SUMO protease activity of the atypical ubiquitin-specific protease USPL1. *Nat. Commun.* **13**, 18191 <https://doi.org/10.1038/s41467-022-29485-0>
- 14 Shaw, A.E., Hughes, J., Gu, Q., Behdenna, A., Singer, J.B., Dennis, T. et al. (2017) Fundamental properties of the mammalian innate immune system revealed by multispecies comparison of type I interferon responses. *PLoS Biol.* **15**, e20040861 <https://doi.org/10.1371/journal.pbio.2004086>
- 15 Ritchie, K.J., Malakhov, M.P., Hetherington, C.J., Zhou, L., Little, M.T., Malakhova, O.A. et al. (2002) Dysregulation of protein modification by ISG15 results in brain cell injury. *Genes Dev.* **16**, 2207–2212 <https://doi.org/10.1101/gad.1010202>
- 16 Knobeloch, K.P., Utermohlen, O., Kisser, A., Prinz, M. and Horak, I. (2005) Reexamination of the role of ubiquitin-like modifier ISG15 in the phenotype of UBP43-deficient mice. *Mol. Cell. Biol.* **25**, 11030–11034 <https://doi.org/10.1128/MCB.25.24.11030-11034.2005>
- 17 Osiak, A., Utermohlen, O., Niendorf, S., Horak, I. and Knobeloch, K.P. (2005) ISG15, an interferon-stimulated ubiquitin-like protein, is not essential for STAT1 signaling and responses against vesicular stomatitis and lymphocytic choriomeningitis virus. *Mol. Cell. Biol.* **25**, 6338–6345 <https://doi.org/10.1128/MCB.25.15.6338-6345.2005>
- 18 Malakhova, O.A., Kim, K.I., Luo, J.K., Zou, W., Kumar, K.G., Fuchs, S.Y. et al. (2006) UBP43 is a novel regulator of interferon signaling independent of its ISG15 isopeptidase activity. *EMBO J.* **25**, 2358–2367 <https://doi.org/10.1038/sj.emboj.7601149>
- 19 Arimoto, K.I., Lochte, S., Stoner, S.A., Burkart, C., Zhang, Y., Miyauchi, S. et al. (2017) STAT2 is an essential adaptor in USP18-mediated suppression of type I interferon signaling. *Nat. Struct. Mol. Biol.* **24**, 279–289 <https://doi.org/10.1038/nsmb.3378>
- 20 Malakhova, O.A., Yan, M., Malakhov, M.P., Yuan, Y., Ritchie, K.J., Kim, K.I. et al. (2003) Protein ISGylation modulates the JAK-STAT signaling pathway. *Genes Dev.* **17**, 455–460 <https://doi.org/10.1101/gad.1056303>
- 21 Ritchie, K.J., Hahn, C.S., Kim, K.I., Yan, M., Rosario, D., Li, L. et al. (2004) Role of ISG15 protease UBP43 (USP18) in innate immunity to viral infection. *Nat. Med.* **10**, 1374–1378 <https://doi.org/10.1038/nm1133>
- 22 Kim, K.I., Yan, M., Malakhova, O., Luo, J.K., Shen, M.F., Zou, W. et al. (2006) Ube1 and protein ISGylation are not essential for alpha/beta interferon signaling. *Mol. Cell. Biol.* **26**, 472–479 <https://doi.org/10.1128/MCB.26.2.472-479.2006>
- 23 Ketscher, L., Hanns, R., Morales, D.J., Basters, A., Guerra, S., Goldmann, T. et al. (2015) Selective inactivation of USP18 isopeptidase activity in vivo enhances ISG15 conjugation and viral resistance. *Proc. Natl Acad. Sci. U.S.A.* **112**, 1577–1582 <https://doi.org/10.1073/pnas.1412881112>
- 24 Mustachio, L.M., Lu, Y., Kawakami, M., Roszik, J., Freemantle, S.J., Liu, X. et al. (2020) Evidence for the ISG15-specific deubiquitinase USP18 as an antineoplastic target. *Cancer Res.* **78**, 587–592 <https://doi.org/10.1158/0008-5472.CAN-17-1752>
- 25 Guo, Y., Chinyengeter, F., Dolinko, A.V., Lopez-Aguilar, A., Lu, Y., Galimberti, F. et al. (2012) Evidence for the ubiquitin protease UBP43 as an antineoplastic target. *Mol. Cancer Ther.* **11**, 1968–1977 <https://doi.org/10.1158/1535-7163.MCT-12-0248>
- 26 Burkart, C., Arimoto, K., Tang, T., Cong, X., Xiao, N., Liu, Y.C. et al. (2013) Usp18 deficient mammary epithelial cells create an antitumour environment driven by hypersensitivity to IFN-lambda and elevated secretion of Cxcl10. *EMBO Mol. Med.* **5**, 1035–1050 <https://doi.org/10.1002/emmm.201201864>
- 27 Fan, J.B., Miyauchi, S., Xu, H.Z., Liu, D., Kim, L.J.Y., Burkart, C. et al. (2020) Type I interferon regulates a coordinated gene network to enhance cytotoxic T cell-mediated tumor killing. *Cancer Discov.* **10**, 382–393 <https://doi.org/10.1158/2159-8290.CD-19-0608>
- 28 Potu, H., Sgorbissa, A. and Brancolini, C. (2010) Identification of USP18 as an important regulator of the susceptibility to IFN-alpha and drug-induced apoptosis. *Cancer Res.* **70**, 655–665 <https://doi.org/10.1158/0008-5472.CAN-09-1942>
- 29 Sgorbissa, A., Tomasella, A., Potu, H., Manini, I. and Brancolini, C. (2011) Type I IFNs signaling and apoptosis resistance in glioblastoma cells. *Apoptosis* **16**, 1229–1244 <https://doi.org/10.1007/s10495-011-0639-4>
- 30 Pinto-Fernandez, A., Salio, M., Partridge, T., Chen, J., Vere, G., Greenwood, H. et al. (2021) Deletion of the deISGylating enzyme USP18 enhances tumour cell antigenicity and radiosensitivity. *Br. J. Cancer* **124**, 817–830 <https://doi.org/10.1038/s41416-020-01167-y>
- 31 Speer, S.D., Li, Z., Buta, S., Payelle-Brogard, B., Qian, L., Vigant, F. et al. (2016) ISG15 deficiency and increased viral resistance in humans but not mice. *Nat. Commun.* **7**, 11496 <https://doi.org/10.1038/ncomms11496>
- 32 Soucy, T.A., Smith, P.G., Milhollen, M.A., Berger, A.J., Gavin, J.M., Adhikari, S. et al. (2009) An inhibitor of NEDD8-activating enzyme as a new approach to treat cancer. *Nature* **458**, 732–736 <https://doi.org/10.1038/nature07884>
- 33 Hyer, M.L., Milhollen, M.A., Ciavarrri, J., Fleming, P., Traore, T., Sappal, D. et al. (2018) A small-molecule inhibitor of the ubiquitin activating enzyme for cancer treatment. *Nat. Med.* **24**, 186–193 <https://doi.org/10.1038/nm.4474>

- 34 Dastur, A., Beaudenon, S., Kelley, M., Krug, R.M. and Huibregtse, J.M. (2006) Herc5, an interferon-induced HECT E3 enzyme, is required for conjugation of ISG15 in human cells. *J. Biol. Chem.* **281**, 4334–4338 <https://doi.org/10.1074/jbc.M512830200>
- 35 Chen, J.J., Tsu, C.A., Gavin, J.M., Milhollen, M.A., Bruzzese, F.J., Mallender, W.D. et al. (2011) Mechanistic studies of substrate-assisted inhibition of ubiquitin-activating enzyme by adenosine sulfamate analogues. *J. Biol. Chem.* **286**, 40867–40877 <https://doi.org/10.1074/jbc.M111.279984>
- 36 Dempster, J.M., Boyle, I., Vazquez, F., Root, D.E., Boehm, J.S., Hahn, W.C. et al. (2021) Chronos: a cell population dynamics model of CRISPR experiments that improves inference of gene fitness effects. *Genome Biol.* **22**, 343 <https://doi.org/10.1186/s13059-021-02540-7>
- 37 Dwane, L., Behan, F.M., Goncalves, E., Lightfoot, H., Yang, W., van der Meer, D. et al. (2021) Project Score database: a resource for investigating cancer cell dependencies and prioritizing therapeutic targets. *Nucleic Acids Res.* **49**, D1365–D1372 <https://doi.org/10.1093/nar/gkaa882>
- 38 Nusinow, D.P., Szpyt, J., Ghandi, M., Rose, C.M., McDonald, III, E.R., Kalocsay, M. et al. (2020) Quantitative proteomics of the cancer cell line encyclopedia. *Cell* **180**, 387–402.e3161 <https://doi.org/10.1016/j.cell.2019.12.023>
- 39 Brownell, J.E., Sintchak, M.D., Gavin, J.M., Liao, H., Bruzzese, F.J., Bump, N.J. et al. (2010) Substrate-assisted inhibition of ubiquitin-like protein-activating enzymes: the NEDD8 E1 inhibitor MLN4924 forms a NEDD8-AMP mimetic in situ. *Mol. Cell* **37**, 102–111 <https://doi.org/10.1016/j.molcel.2009.12.024>
- 40 Markmiller, S., Fulzele, A., Higgins, R., Leonard, M., Yeo, G.W. and Bennett, E.J. (2019) Active protein neddylation or ubiquitylation is dispensable for stress granule dynamics. *Cell Rep.* **27**, 1356–1363.e1353I <https://doi.org/10.1016/j.celrep.2019.04.015>
- 41 Turnbull, A.P., Ioannidis, S., Krajewski, W.W., Pinto-Fernandez, A., Heride, C., Martin, A.C.L. et al. (2017) Molecular basis of USP7 inhibition by selective small-molecule inhibitors. *Nature* **550**, 481–486 <https://doi.org/10.1038/nature24451>
- 42 Gavory, G., O'Dowd, C.R., Helm, M.D., Flasz, J., Arkoudis, E., Dossang, A. et al. (2018) Discovery and characterization of highly potent and selective allosteric USP7 inhibitors. *Nat. Chem. Biol.* **14**, 118–125 <https://doi.org/10.1038/nchembio.2528>
- 43 Clancy, A., Heride, C., Pinto-Fernandez, A., Elcocks, H., Kallinos, A., Kayser-Bricker, K.J. et al. (2021) The deubiquitylase USP9X controls ribosomal stalling. *J. Cell Biol.* **220**, e202004211 <https://doi.org/10.1083/jcb.202004211>
- 44 Ruiz, E.J., Pinto-Fernandez, A., Turnbull, A.P., Lan, L., Charlton, T.M., Scott, H.C. et al. (2021) USP28 deletion and small-molecule inhibition destabilizes c-MYC and elicits regression of squamous cell lung carcinoma. *eLife* **10**, e71596 <https://doi.org/10.7554/eLife.71596>
- 45 Rusilowicz-Jones, E.V., Barone, F.G., Lopes, F.M., Stephen, E., Mortiboys, H., Urbe, S. et al. (2022) Benchmarking a highly selective USP30 inhibitor for enhancement of mitophagy and pexophagy. *Life Sci. Alliance* **5**, e202101287 <https://doi.org/10.26508/lsa.202101287>
- 46 Catic, A., Fiebigler, E., Korbil, G.A., Blom, D., Galardy, P.J. and Ploegh, H.L. (2007) Screen for ISG15-crossreactive deubiquitinases. *PLoS ONE* **2**, e6791 <https://doi.org/10.1371/journal.pone.0000679>
- 47 Ye, Y., Akutsu, M., Reyes-Turcu, F., Enchev, R.I., Wilkinson, K.D. and Komander, D. (2011) Polyubiquitin binding and cross-reactivity in the USP domain deubiquitinase USP21. *EMBO Rep.* **12**, 350–357 <https://doi.org/10.1038/embor.2011.17>