

REVIEW

Open Access



# Janus kinase inhibitors are potential therapeutics for amyotrophic lateral sclerosis

Peter J. Richardson<sup>1\*</sup> , Daniel P. Smith<sup>1</sup>, Alex de Giorgio<sup>1</sup>, Xenia Snetkov<sup>1</sup>, Joshua Almond-Thynne<sup>1</sup>, Sara Cronin<sup>2</sup>, Richard J. Mead<sup>3</sup>, Christopher J. McDermott<sup>3,4</sup> and Pamela J. Shaw<sup>3,4</sup>

## Abstract

Amyotrophic lateral sclerosis (ALS) is a poorly treated multifactorial neurodegenerative disease associated with multiple cell types and subcellular organelles. As with other multifactorial diseases, it is likely that drugs will need to target multiple disease processes and cell types to be effective. We review here the role of Janus kinase (JAK)/Signal transducer and activator of transcription (STAT) signalling in ALS, confirm the association of this signalling with fundamental ALS disease processes using the BenevolentAI Knowledge Graph, and demonstrate that inhibitors of this pathway could reduce the ALS pathophysiology in neurons, glia, muscle fibres, and blood cells. Specifically, we suggest that inhibition of the JAK enzymes by approved inhibitors known as Jakinibs could reduce STAT3 activation and modify the progress of this disease. Analysis of the Jakinibs highlights baricitinib as a suitable candidate due to its ability to penetrate the central nervous system and exert beneficial effects on the immune system. Therefore, we recommend that this drug be tested in appropriately designed clinical trials for ALS.

**Keywords** Janus kinase, STAT3, Amyotrophic lateral sclerosis

## Introduction

Amyotrophic lateral sclerosis (ALS) is an archetypal multifactorial neurodegenerative disease whose primary cause in the majority of cases is still unknown. ALS is characterised by the loss of lower and upper motor neurons resulting in progressive failure of the neuromuscular system, with death usually occurring approximately 3–5 years after diagnosis due to the failure of the respiratory muscles [1]. A significant number of patients also show disturbed frontal and temporal lobe function [2] with some (approximately 5%) developing overt

frontotemporal dementia. The disease process likely starts a significant period of time before symptoms first appear, suggesting that the functional changes identified in patients will include both disease processes and potentially beneficial compensatory adaptations.

ALS disease prevalence is approximately 9 per 100,000 persons [3], of which 5%–10% of individuals have familial ALS (fALS) defined by their family history. The most commonly associated genes in fALS are *C9ORF72*, *TARDBP*, *FUS* and *SOD1*. Recent genetic analyses have revealed numerous mutations in sporadic ALS cases, which reveal possible underlying genetic drivers of the disease [4]. Pathways implicated by such risk genes include apoptosis arising from mitochondrial dysfunction, autophagy with loss of protein homeostasis, inflammation (peripheral and central), impaired intracellular trafficking and excitotoxicity. These dysfunctional pathways operate in many cell types including the upper (corticospinal) and lower (spinal) motor neurons themselves, associated glial and Schwann cells, skeletal muscle fibres

\*Correspondence:

Peter J. Richardson  
[peter.richardson@benevolent.ai](mailto:peter.richardson@benevolent.ai)

<sup>1</sup> BenevolentAI, 4-8 Maple Street, London W1T 5HD, UK

<sup>2</sup> BenevolentAI, 15 MetroTech Centre, 8th FL, Brooklyn, NY 11201, USA

<sup>3</sup> Sheffield Institute for Translational Neuroscience, Faculty of Medicine, Dentistry and Health, University of Sheffield, Sheffield, UK

<sup>4</sup> NIHR Sheffield Biomedical Research Centre, University of Sheffield and Sheffield Teaching Hospitals NHS Foundation Trust, Sheffield, UK



© The Author(s) 2023. **Open Access** This article is licensed under a Creative Commons Attribution 4.0 International License, which permits use, sharing, adaptation, distribution and reproduction in any medium or format, as long as you give appropriate credit to the original author(s) and the source, provide a link to the Creative Commons licence, and indicate if changes were made. The images or other third party material in this article are included in the article's Creative Commons licence, unless indicated otherwise in a credit line to the material. If material is not included in the article's Creative Commons licence and your intended use is not permitted by statutory regulation or exceeds the permitted use, you will need to obtain permission directly from the copyright holder. To view a copy of this licence, visit <http://creativecommons.org/licenses/by/4.0/>. The Creative Commons Public Domain Dedication waiver (<http://creativecommons.org/publicdomain/zero/1.0/>) applies to the data made available in this article, unless otherwise stated in a credit line to the data.

and their associated progenitors as well as cells of the immune/ inflammatory system. Considering the wide range of pathways and cell types affected, efficacious therapeutics for ALS may need to target pleiotropic regulators able to modulate a broad range of defective cellular processes, particularly as the originating causes are not fully understood.

### Repurposing drugs for ALS

Drug repurposing is the use of already approved drugs for new indications. Given the long and expensive drug development process, drug repurposing provides a means of accelerating therapeutic discovery at a lower financial risk. This is mainly because the toxicological and pharmacokinetic risks are known at the outset, and the molecular optimisation processes (i.e., preclinical drug discovery) have been completed. Importantly, for a rapidly progressing disease, repurposing offers the possibility of treating patients currently with the disease, an unrealistic process if starting from scratch, given the 10–15-year timescale to bring a new chemical entity to market. In addition, rare diseases such as ALS may not provide a realistic opportunity to recover the enormous costs of bringing a new drug to market (\$2-3B) [6], shifting the risk-reward profile unfavourably for large pharmaceutical companies. This may explain why most of the current ALS clinical trials are investigating drugs from small pharmaceutical and biotechnology companies [4].

Only four drugs have been approved by the FDA for ALS: riluzole, edaravone, and the combination therapy AMX0035 and tofersen. Riluzole may act by reducing glutamate-mediated cytotoxicity in the motor cortex and spinal cord and has been shown to increase survival by as much as 19 months [5]. Edaravone is an antioxidant which may delay progression without affecting survival. AMX0035 alleviates mitochondrial and endoplasmic reticulum stress while tofersen is approved for treating patients with *SOD1* mutations. Neither edaravone nor AMX0035 (which was approved by the FDA based solely on Phase 2 data) has been approved in Europe. There is therefore a significant and well recognised need for new disease-modifying treatments capable of reducing the rate of progression and increasing survival of individuals afflicted by ALS.

Recently, computer-enhanced methods for repurposing approved drugs have been developed, particularly in response to the recent COVID-19 pandemic [7, 8]. These include AI approaches [9] and unbiased laboratory methods [10] to identify the protein–protein interaction networks operating in the disease state. Zeng et al. [11] compiled a knowledge graph (KG) integrating scientific literature and drug properties to identify approved drugs which could be used to treat COVID-19. In this context,

the BenevolentAI KG was used in early 2020 to identify the Janus kinase (JAK) inhibitor baricitinib as a combined anti-inflammatory and anti-viral agent for the treatment of hospitalised patients with COVID-19 [12–14]. Subsequently, following the ACTT2 [15] and COV-BARRIER [16] clinical trials, this agent was approved for use in this patient population and has been used worldwide.

The BenevolentAI KG includes the contents of more than 85 diverse and independent structured biomedical databases [17, 18]. These structured data sources are further enhanced by natural language processing (NLP) pipelines, which integrate data from more than 35 million scientific papers. This KG was built to broadly cover complex disease biology across therapeutic areas and help scientists to develop data-driven hypotheses. Although the KG and associated machine learning models were predominantly built for predicting novel targets for disease, the technology can also support the repurposing of known treatments for alternative indications.

### Disease mechanisms and pathways of ALS

To conduct an unbiased literature-wide search of the disease mechanisms identified in ALS and their potential regulators, we used the BenevolentAI KG to identify 500 genes most specifically associated with ALS using a metric focused on the probability of the co-occurrence of two words within the literature. Since ALS causes skeletal muscle atrophy, we also identified 500 most associated genes with muscle atrophy. Pathway enrichment using these genes revealed four pathway groups as likely to be fundamental to ALS disease processes: cytokine-mediated inflammation, autophagy, apoptosis, and FOXO signalling pathways. Other mechanisms implicated to a lesser degree included TLR4-mediated inflammation and glutamate-mediated neurotransmission (Table 1).

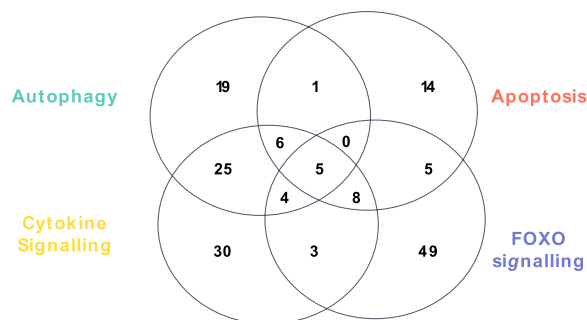
However, of particular interest were the ALS-associated and muscle atrophy-associated genes which are common to these four processes. These were *STAT3* (encoding signal transducer and activator of transcription 3, STAT3), *AKT1* (AKT serine/threonine kinase 1), *HSP90AA1* (heat shock protein 90 alpha family class A member 1), *UBC* (ubiquitin C) and *FASLG* (Fas ligand) (Fig. 1), indicating that STAT3 signalling is fundamental to the disease.

In addition to inflammation, autophagy, apoptosis and the FOXO pathways, JAK/STAT signalling is also heavily implicated in the characteristic pathophysiology of ALS, i.e., TDP43 protein aggregates, mitochondrial dysfunction, skeletal muscle denervation and excitotoxicity (Table 2). These disease processes are widely believed to be major contributors to ALS disease especially mitochondrial dysfunction, which results in deficits in ATP supply, protein aggregation with 95% of patients having

**Table 1** Twenty pathways most associated with the top 500 genes of ALS and muscular atrophy

Pathways	ALS		Muscular atrophy		Geneset
	Genes	adjP	Genes	adjP	
Signaling by interleukins	87	5.84E-33	79	5.59E-28	472
Interleukin-4 and interleukin-13 signaling	42	8.06E-29	43	1.90E-30	108
Autophagy	32	4.70E-13	28	1.29E-10	149
Selective autophagy	24	4.70E-13	20	6.80E-10	80
Interleukin-10 signaling	19	6.14E-13	13	3.75E-07	47
Macroautophagy	30	6.14E-13	26	3.40E-10	134
Programmed cell death	37	7.69E-13	35	6.37E-12	208
FOXO-mediated transcription	20	3.22E-11	27	2.02E-19	65
Cellular response to chemical stress	33	7.08E-11	34	4.85E-12	194
Apoptosis	30	1.11E-09	29	1.52E-09	179
Regulated necrosis	17	1.93E-09	14	4.14E-07	56
Purinergic signaling in leishmaniasis	12	5.19E-09	9	4.81E-06	26
Cell recruitment (proinflammatory)	12	5.19E-09	9	4.81E-06	26
PINK1-PRKN-mediated mitophagy	11	1.03E-08	10	1.01E-07	22
Mitophagy	12	2.17E-08	11	1.49E-07	29
Defective intrinsic pathway for apoptosis	11	5.08E-08	12	1.52E-09	25
TRIF(TICAM1)-mediated TLR4 signaling	21	5.08E-08	16	3.00E-05	108
MyD88-independent TLR4 cascade	21	5.08E-08	16	3.00E-05	108
Post NMDA receptor activation events	18	6.62E-08	8	0.036	80
Diseases of signaling by growth factor receptors and 2nd messengers	45	7.91E-08	61	2.85E-17	433

adjP, adjusted *P* value; Genes, number of mechanism-relevant genes among the ALS and muscular atrophy top 500 genes; Geneset, total number of genes associated with the pathway



**Fig. 1** Genes common to ALS and atrophy mechanisms. Considering those ALS-associated genes which were identified as contributing to autophagy, apoptosis and cytokine signalling and the muscular atrophy genes of the FOXO signalling pathway revealed five ALS genes (*STAT3*, *HSP90AA1*, *FASLG*, *UBC* and *AKT1*) in common

TDP43 aggregates, and muscle denervation and atrophy which eventually causes death. The discovery that all these processes involve JAK/STAT signalling suggests that this pathway could be a therapeutic target.

In addition to the complexities inherent in modifying multiple disease processes, ALS treatment also requires that effective drugs have beneficial effects in a wide range

of cell types where modulation of pleiotropic signalling pathways could have detrimental or even counter-productive effects. It is therefore important to assess the effect of drugs modifying JAK/STAT signalling in the cell types affected by the disease. The cell types and processes involved in ALS include glial cells, T cells (particularly NK cells), macrophages as well as the upper and lower motor neurons (Fig. 2).

In the following discussion the reader is referred to some recent excellent reviews for a comprehensive description of ALS [4, 19, 20], and we focus here on the potential role of STAT3 in the disease.

### STAT3 signalling in ALS

STAT transcription factors, primarily activated by JAKs, play a central role in transducing diverse immune signalling pathways. Regulation of STAT3 through phosphorylation, methylation and acetylation impacts various cellular functions, including gene transcription control, mitochondrial activity, calcium buffering, and apoptosis inhibition. The canonical STAT3 pathway mediates many of the actions of cytokines and is induced by JAK-mediated tyrosine phosphorylation (Y705), followed by STAT3pY705 dimerisation,

**Table 2** The fundamental ALS disease processes and associated pathways and mechanisms

Disease process	Pathways/mechanisms involved
Mitochondrial dysfunction	JAK/STAT pathway Pyruvate metabolism Mitochondrial quality control Electron Transport Chain
Protein aggregate formation	JAK/STAT pathway Protein localisation Autophagy
RNA metabolism dysfunction	Nuclear cytoplasmic transport RNA splicing
Neuroinflammation and glial toxicity	JAK/STAT pathway Astrocyte and microglial activation Type 1 IFN activation NK cell activation
Denervation and Muscle atrophy	JAK/STAT pathway Autophagy IL-6 signalling Activin A/SMAD signalling FOXO3 pathway
Excitotoxicity	JAK/STAT pathway Synaptic glutamate clearance Glutamate receptor activity Cytoplasmic Ca buffering
ER stress	JAK/STAT pathway IRE1 $\alpha$ /PERK/ATF6

ATF6, transcription factor 6; SMAD, Mothers against decapentaplegic transcription factor; IRE1 $\alpha$ , inositol-requiring protein 1 alpha; ER, endoplasmic reticulum

nuclear import and the regulation of gene expression. This activation of the JAK/STAT pathway predominates in the post-mortem spinal cords of ALS patients where interleukin (IL)-6, IL-2, interferon (IFN)  $\gamma$ , IFN $\alpha$  and the unfolded protein response (UPR) pathways are all upregulated. Since JAK/STAT signalling is an integral part of these pathways, it is likely that JAK inhibitors will have a significant effect on their activity [see Fig. 1f of reference 21]. The non-canonical pathway is activated by serine/threonine kinase (e.g. extracellular signal related kinase [ERK], CDK5)-mediated phosphorylation of S727. The pY705/pS727 dual phosphorylation is required for full nuclear gene transcription activity [22]. The pS727 form performs distinct functions in the mitochondria as part of Complex 1 of the Electron Transport Chain (ETC) and is required for full ETC function while the cytoplasmic unphosphorylated form regulates microtubule stability [23].

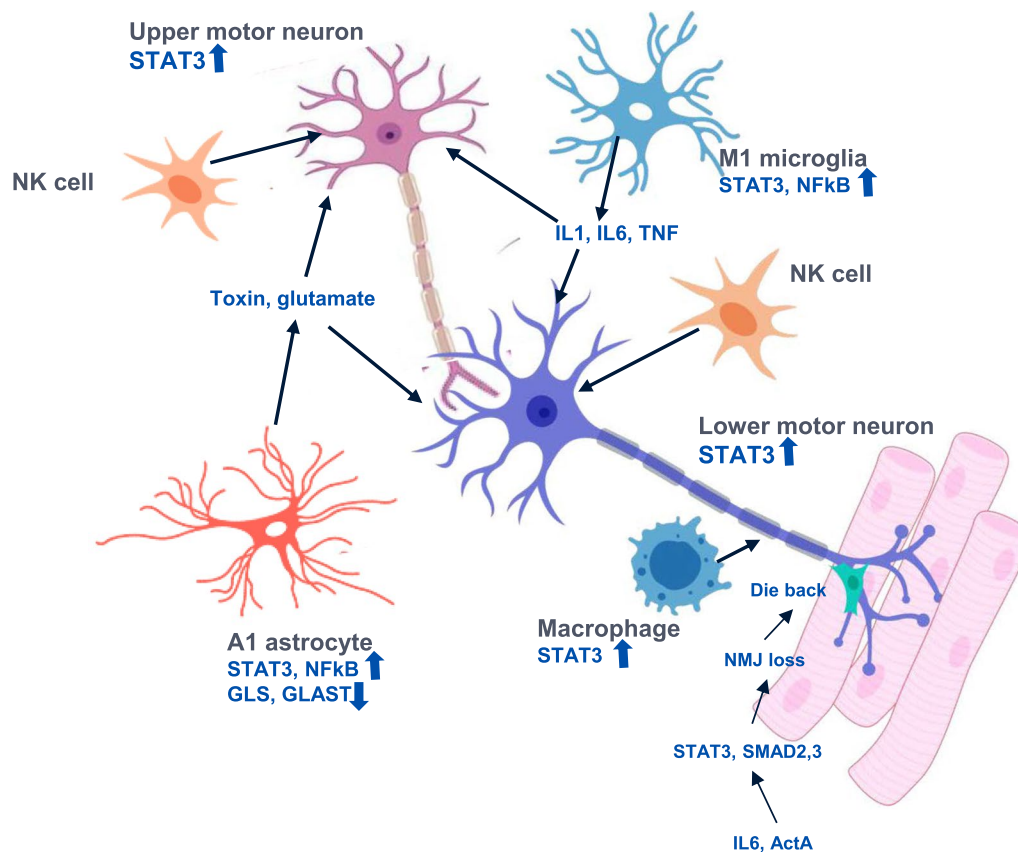
### Canonical STAT3 signalling limits mitochondrial STAT3 (mitoSTAT3) signalling

The import of pS727 into mitochondria is mediated by the protein product of the *NDUFA13* gene known as Genes associated with Retinoid-IFN-induced Mortality-19 (GRIM-19) [24]. GRIM-19 overexpression reduces nuclear localisation of STAT3 [25] and nuclear STAT3-mediated gene expression [25–27], i.e., GRIM-19 inhibits the nuclear actions of STAT3 while enhancing its mitochondrial functions. This implies that STAT3 localisation may be dependent on the relative abundance of the pY705 and pS727 forms, with excessive pY705 generation potentially reducing the mitochondrial localisation of pS727 (Fig. 3). This has been suggested to occur in patients with gain-of-function mutations of *STAT3* who, surprisingly, show some immunodeficiencies. In these patients, the excessive dimerisation of STAT3 [28] and its consequent nuclear localisation will reduce mitoSTAT3, which may thereby cause the observed immune deficiencies due to compromised T cell function [29].

Unphosphorylated STAT3 is involved in the regulation of lysosomal function, and excessive nuclear localisation of STAT3 restricts this activity through lowering cytoplasmic STAT3 levels [30, 31]. The elevated plasma and CSF levels of pro-inflammatory cytokines in ALS [32, 33] are probably responsible for the high nuclear levels of STAT3 observed in post-mortem ALS microglia and astrocytes and in SOD1-G93A mouse motor neurons [34]. Both cytokines (e.g., IL-6) and reactive oxygen species induce high levels of nuclear STAT3 [35, 36] and are associated with a transient loss of mitoSTAT3. This cytokine-induced loss of mitoSTAT3 can be prevented by the JAK inhibitor ruxolitinib [36], which is consistent with the fact that the JAK-induced pY705 form limits the activity of mitoSTAT3 (Fig. 3). However, restoration of mitoSTAT3 after the cytokine or ROS action requires the mitochondrial membrane potential (MMP) to be maintained [24]. Since the MMP is compromised in ALS [37], the restoration of mitoSTAT3 will be deficient. A possible contributor to the defective mitochondrial function seen in ALS is therefore the loss of mitoSTAT3, due to excessive nuclear localisation of STAT3pY705 arising as a result of continuous cytokine signalling or ROS generation, and/or the reduction in the MMP.

Much of the evidence for a pivotal role of STAT3 in this disease is derived from animal models bearing causative mutations or from iPSC-derived motor neurons, with some post-mortem data from patients. Most of the data are therefore directly applicable to the more accessible lower motor neurons. However, many of the ALS disease processes listed in Table 2, including neuroinflammation [32, 38], lysosomal dysfunction with TDP43 protein aggregate formation [39] and consequent RNA





**Fig. 2** Non-cell-autonomous mechanisms of motor neuron loss in ALS. Non-cell-autonomous mechanisms within the motor cortex and spinal cord which contribute to motor neuron loss. The combined effects of microglial-derived cytokines, astrocyte-induced toxicity, NK cell cytotoxicity and macrophage phagocytosis of degenerating axons all need to be controlled. In addition, in the periphery, IL-6 and Activin A combine to induce disruption of the neuromuscular junction with consequent axonal die back due to loss of trophic support. Finally, chronically increased activated STAT3 contributes to motor neuron dysfunction through many of the processes summarised in Table 2. These mechanisms are reviewed in more detail below. ActA, activin A; SMAD2,3, mothers against decapentaplegic transcription factors 2 and 3; NMJ, neuromuscular junction; NK, natural killer; TNF, tumor necrosis factor; NfκB, NF-kappa-B; IL1/6, interleukin 1/6

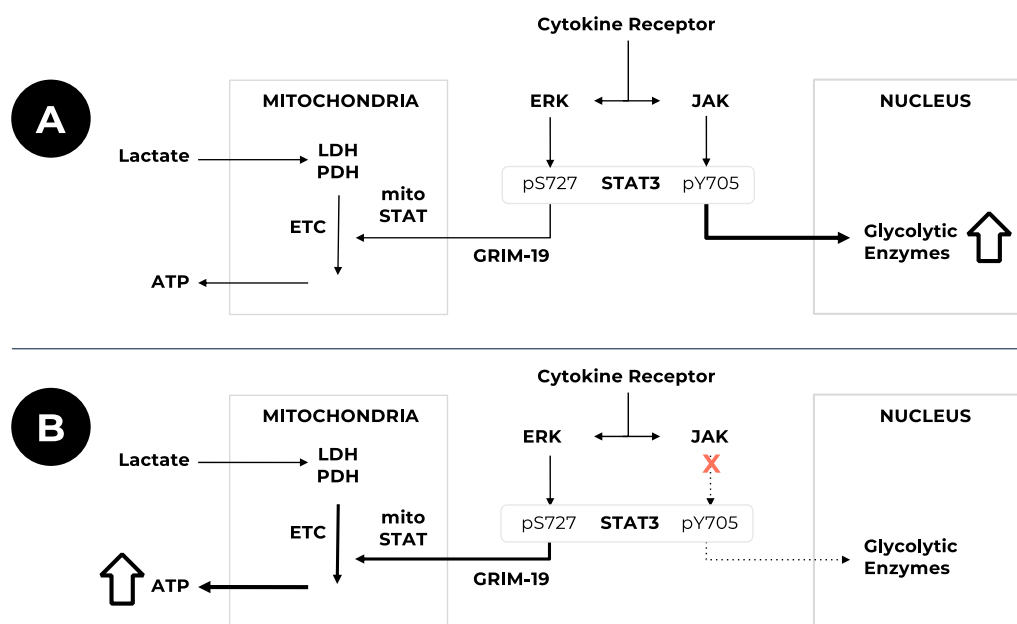
metabolism dysfunction, mitochondrial dysfunction and endoplasmic reticulum dysfunction [40], have also been observed in upper motor neurons. We therefore suggest that much of these data are equally applicable to upper motor neurons which are hyperexcitable in ALS [41].

### Improving mitochondrial function

ALS-associated dysfunction of mitochondrial proteins has been identified in *SOD1*, *VCP*, *CHCHD10* and *TBK1* subtypes of ALS, indicating that mitochondrial dysfunction may be causative in ALS. Motor neuron mitochondria in patients and a range of models bearing ALS mutant genes are morphologically abnormal with fragments and aggregates throughout the axons [37]. The accumulation of these defective (but probably ROS-producing) mitochondria with abnormal cristae [42] is observed in patients and in those models with mutated or overexpressed *SOD1*, *C9ORF72*, *FUS* and *TDP43*.

There are downstream consequences of this mitochondrial damage, including cGAS/STING-mediated inflammation, fragmentation, aberrant mitochondrial transport within neurons, reduced oxidative phosphorylation and ATP generation, reduced calcium buffering capacity, increased ROS generation and activation of the cellular apoptotic pathways. Since these mechanisms reinforce each other, therapeutic agents will need to inhibit multiple processes to effectively restore mitochondrial function. This could potentially be achieved through inhibition of the JAK/STAT signalling coupled with increased mitoSTAT activity as discussed below.

The mitochondrial defects in ALS are associated with the accumulation of protein aggregates and with increased inflammation. The latter may be partly a consequence of inflammaging (i.e., the gradual increase of inflammation seen with ageing [43]) in this age-associated disease, with a significantly higher degree



**Fig. 3** JAK inhibitors modify STAT3 signalling in motor neurons. **a** Under constant stimulation, STAT3pY705 accumulates in the nucleus, maintaining the expression of glycolytic enzymes but reducing the provision of mitoSTAT to the mitochondrial ETC, resulting in reduced oxidative phosphorylation and thus reduced ATP provision. **b** JAK inhibition reduces STAT3pY705, increases the provision of mitoSTAT3 to the mitochondrial ETC, thereby increasing oxidative phosphorylation and resulting in increased ATP generation. ERK, extracellular signal-related kinase; ETC, electron transport chain; GRIM-19, genes associated with retinoid-IFN-induced mortality-19; JAK, Janus kinase; LDH, lactate dehydrogenase; mitoSTAT, mitochondrial STAT3; PDH, pyruvate dehydrogenase; STAT3, Signal transducer and activator of transcription 3

of inflammation than in age-matched controls [32]. Increased levels of proinflammatory cytokines have been reported in ALS plasma [32] and CSF [33], indicating that these cytokines could stimulate upper and lower motor neurons as well as glial cells in both the motor cortex and spinal cord. Increased STAT3 activation has been shown in neurons and glia in post-mortem ALS samples [44], and in *SOD1* mutant mouse motor neurons [45]. Systemic cytokine/STAT3 signalling in ALS could therefore explain the mitochondrial dysfunction observed in many cell types including neurons, glia, muscle fibres and blood cells [46–49]. Similarly, canonical STAT3 activation and/or mitoSTAT3 depletion could contribute to poor glucose metabolism in motor neurons, poor mitochondrial quality control, reduced ETC activity and poor calcium buffering as outlined below.

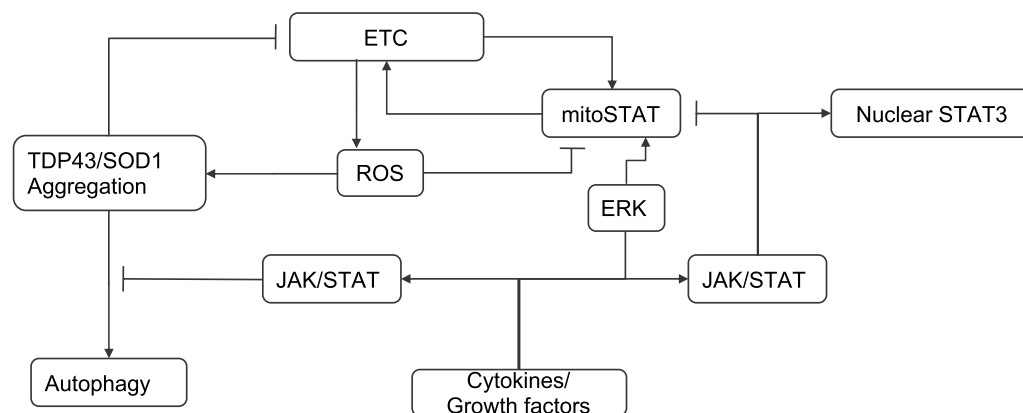
### Restoring mitoSTAT3

There are two potentially self-perpetuating disease mechanisms in ALS which cause mitochondrial damage. The first is ROS-induced protein (TDP43 and SOD1) aggregation with consequent mitochondrial damage and more ROS production [37, 50, 51]. The increased ROS production further induces protein aggregation, completing the feedback loop. Inhibition of JAK/STAT signalling would break this vicious cycle by promoting the autophagic

clearance of the protein aggregates. The second is JAK/STAT-induced suppression of the ETC, exacerbated by the loss of mitoSTAT3 (Fig. 4). Since restoration of the mitoSTAT3 levels requires a functional ETC-driven MMP [24], the repeated depletion of mitoSTAT3 caused by cytokines would combine with the reduced MMP to result in ETC deficiency with downstream consequences on ATP generation and calcium handling. This second positive feedback loop would therefore be created by ROS-induced mitoSTAT3 depletion, which compromises the ETC and the MMP. This then reduces the ability of the mitochondria to recruit mitoSTAT3. JAK inhibition would restore mitoSTAT3 provision thereby restoring the activity of the ETC. Therefore, both of these feedback loops could be corrected by JAK inhibition, promoting increased provision of mitoSTAT3, increasing Complex 1 activity and thereby reducing ROS production and protein aggregation.

### Improving neuronal glucose metabolism

The high levels of STAT3pY705 in ALS tissues limit the generation of ATP through the Krebs cycle and oxidative phosphorylation by inhibiting the nuclear expression of ETC genes [52] and by increased expression of pyruvate dehydrogenase kinase 4 (PDK4) [53]. The latter inhibits activity of pyruvate dehydrogenase, thereby preventing



**Fig. 4** Self-perpetuating positive feedback loops contributing to mitochondrial deficiency in ALS. Two interacting and self-perpetuating feedback loops are envisaged: ROS-mediated protein aggregation which reduces the ETC resulting in further ROS, and ROS-induced mitoSTAT3 depletion which causes a reduction in the ETC thereby preventing mitoSTAT3 restoration. Note that impaired mitochondrial function leads to increased ROS

the entry of glucose-derived acetylCoA to the Krebs cycle. This reduced glucose utilisation will reduce ATP supply in motor neurons, while in muscle mitochondria it could perhaps explain the relative insulin resistance seen in ALS patients [54]. JAK inhibition is therefore expected to improve the generation of ATP by the Krebs cycle and oxidative phosphorylation, thereby increasing the provision of ATP to the upper and lower motor neurons and muscle fibres.

#### Restoring lactate oxidation by motor neurons

Glial-derived lactate is a major energy source for motor neurons [37]. However, PDK4 expression induced by high levels of STAT3pY705 would reduce the ability of neurons to utilise the lactate, resulting in increased beta oxidation and ROS production, despite the fact that the ETC is not fully functional. This is consistent with high STAT3pY705 activity causing increased aerobic glycolysis with reduced oxidative phosphorylation in cell lines [55]. The deficient ETC caused by loss of mitoSTAT3 (and reduced expression of the genes encoding ETC components) would also prevent utilisation of the glial-derived lactate. Accordingly, JAK/STAT inhibitors could restore ETC component expression and mitoSTAT3 levels and thereby restore oxidative phosphorylation, using both glucose and lactate as fuels. Consistent with this, inhibitors of nuclear STAT3 restore the MMP, the expression of mitophagy proteins and the calcium regulation in cardiac muscles [56]. Similarly, mitoSTAT3 activation has been shown to restore the MMP after neuronal injury [57] and inhibit ROS-mediated injury [58].

#### Improving mitochondrial quality control

The accumulation of abnormal mitochondrial fragments is at least partly due to an imbalance in the fusion and

fission pathways of mitochondrial homeostasis [37, 59] and to a failure of compensatory mitophagy. Interestingly, IL-6/gp130 signalling regulates mitochondrial quality control and morphology through both nuclear JAK/STAT3 (fusion) and ERK/mitoSTAT3 (fission) [60, 61]. As discussed above, IL-6 signalling also induces the transient reduction of mitoSTAT3 [36] and causes mitochondrial dysfunction [62], as can other pro-inflammatory cytokines such as tumor necrosis factor alpha (TNF $\alpha$ ) [63]. Inhibition of mitoSTAT3 by the mitochondria-targeted STAT3 inhibitors mitocur-1 and mitocur-3 [64] also causes mitochondrial fragmentation [65, 66]. It is therefore conceivable that loss of mitoSTAT3 disturbs the balance between fusion and fission exerted by IL-6 and other gp130-associated cytokines. Since selective inhibition of nuclear STAT3 through JAK inhibition prevents this loss of mitoSTAT3 [36], it may also reduce mitochondrial fragmentation.

#### Improving the ETC

The canonical STAT3 signalling reduces ETC activity through HIF1-alpha induction, which limits the expression of ETC components and induces PDK4 [67–70]. In addition, mitoSTAT3 plays a fundamental role in regulating ETC Complex 1 and has been shown to increase the activity of the whole ETC [55]. The functional defects in the ETC contribute to the reductions of MMP, ATP generation and calcium buffering, which are seen in neurons [46, 71], muscles [47, 72, 73] and even lymphocytes [49] of familial and sporadic ALS patients as well as in murine models [37]. This ETC deficiency also causes increased ROS production by mitochondria and excessive ROS have been reported in *SOD1* mutant cells, in post-mortem ALS tissues [74] and in fibroblasts from ALS patients [75]. JAK inhibitors are predicted to increase the ETC

activity through increased expression of ETC components and through restoration of Complex 1 activity through increased mitoSTAT3.

#### Restoring cytoplasmic calcium regulation

Intracellular calcium dysregulation has been strongly implicated in ALS [76–78]. This is almost certainly a consequence of a reduction in the mitochondrial/endoplasmic reticulum (ER) buffering capacity [4] as well as reduced ATP provision. This is exacerbated in motor neurons by the excessive calcium permeability of  $\alpha$ -amino-3-hydroxy-5-methyl-4-isoxazolepropionic acid (AMPA) receptors and elevated synaptic glutamate levels (see Reducing excitotoxicity section below) which result in increased calcium in the nerve terminals [77]. JAK/STAT inhibition, through restoring the ETC, reducing synaptic glutamate and maintaining cortical GABAergic drive (see Reducing excitotoxicity section below), will improve the mitochondrial buffering capacity and so reduce the elevated cytoplasmic calcium levels in both upper and lower motor neurons.

#### Clearing aggregated proteins by autophagy

One of the characteristic aspects of ALS is the accumulation of protein aggregates and stress granules in the affected motor neurons which, as mentioned above, cause mitochondrial dysfunction, with increased ROS production. The most commonly aggregated protein is TDP43, the product of the *TARDBP* gene. This protein is involved in RNA splicing and is usually found in the nucleus, although it also engages in shuttling between the nucleus and the cytoplasm. In approximately 95% of ALS cases, cytoplasmic ubiquitinated TDP43 aggregates are observed [79], mostly in the absence of *TARDBP* mutations. TDP43 aggregates are seen in both upper and lower motor neurons, as well as other apparently unaffected neurons [80], but are not seen with *SOD1* mutations, which instead reveal *SOD1* aggregates in the mitochondria. Similar cytoplasmic FUS aggregates are seen in the presence of *FUS* mutations. In all three cases, it appears that these cytoplasmic aggregates have toxic properties, together with dysfunctions of RNA splicing and nucleocytoplasmic transport as added complications. These observations clearly suggest a failure of autophagy and proteostasis. Many mutated genes associated with ALS are linked to the proteasome and autophagy, including *C9ORF72*, *OPTN*, *VCP*, *SIGMAR1*, *PARK9*, *SQSTM1*, *CHMP2B*, *UBQLN2* and *FIG4*, indicating that dysfunctional proteostasis may also induce ALS.

The TDP43 aggregates are associated with nuclear TDP43 depletion and accordingly likely with the dysregulation of RNA metabolism affecting thousands of genes [81]. The cytoplasmic aggregates so formed may

also sequester RNA transport components essential for appropriate export of RNA from the nucleus [82] and along the axon [83]. The stress granules may be causative in the generation of the toxic protein aggregates [84], so restoration of normal autophagic clearance of stress granules [85] would seem a necessary requirement in therapy.

#### JAK/STAT inhibitors increase autophagy

In many ALS models, increasing the autophagy throughput has beneficial effects [86, 87]. The use of autophagy enhancers such as rapamycin and trehalose protects ALS neurons and astrocytes, clear TDP43 and FUS79 stress granules, increase the survival of mice with mutation of *SOD1* [88], TDP43 [89] or *C9ORF72* [90], as well as increasing muscle function of mice with *VCP* mutations [91]. In a wide range of cells, inhibition of JAK/STAT signalling increases autophagy [92–94]. In iPSC-derived motor neurons, cytoplasmic TDP43 aggregates can be cleared by improved autophagy through STAT3 inhibition [95]. Similarly, stimulating lysosomal exocytosis with the 1-phosphatidylinositol 3-phosphate 5-kinase inhibitor apilimod also reduced protein aggregates in iPSC-derived motor neurons [96]. This suggests that defects in proteasome and lysosome/autophagy pathways are two mechanisms operating in diseased neurons and that JAK/STAT inhibition may provide a route to restore function of the pathways.

Skeletal muscle fibres also show the accumulation of cytoplasmic aggregates, particularly in *SOD1* mutant models [97]. Interestingly, restricted expression of hSOD1 in mouse muscle causes an ALS-like disease [98]. In addition, some immune cells also show signs of cytoplasmic aggregates, which therefore indicate that the autophagy/proteasome defects are not motor-neuron-specific but are widespread, as would be expected if the germ line mutations are causative. Overall, inhibition of JAK/STAT signalling will increase autophagy, resulting in reduced protein aggregate build-up. It will also reduce ROS-induced aggregation and even potentially induce the removal of the ROS-producing mitochondrial fragments through improved mitophagy. It is also probable that clearance of cytoplasmic TDP43 aggregates will rectify some of the defects in RNA metabolism and transport.

#### Reducing neuroinflammation and ALS glial toxicity

There is increasing evidence that neuroinflammation plays a key role in neurodegenerative diseases including ALS. Consistent with this, high levels of MCP-1, IL-15, IL-17 and TNF $\alpha$  are seen in the CSF of ALS patients [33] and many of the ALS-associated proteins are abundantly expressed in immune cells [79]. There is also evidence



linking TDP43 to inflammatory nuclear factor NF-kappa-B (NFκB) pathways [99], as well as evidence showing that inflammation induces the cytoplasmic localisation of TDP43 [100], illustrating the inter-related nature of the disease processes of ALS.

#### **JAK/STAT signalling in ALS astrocytes**

In astrocytes which are predominantly glycolytic, disruption of mitochondrial function caused by ALS-associated *SOD1* or *FUS* mutations results in increased ROS production and disrupted morphology [101]. In addition, it is reported that compromised mitochondrial activity with reduced lipid oxidation causes increased STAT3 signalling and astrocytic activation [102].

Some of the ALS astrocytes of the spinal cord are in a toxic A1-like state, and activated astrocytes have been reported in the motor cortex of ALS patients and mouse models [38]. The A1 astrocytes are characterised by secretion of proinflammatory and toxic factors [103], with an augmented immune response including elevated IL-6 and IL-8 expression [104]. These mouse ALS A1 and hiPSC-derived A1 astrocytes, but not the protective A2 astrocytes, are associated with high levels of JAK/STAT signalling [105]. The A1 astrocytes also show low expression of glutamate transporters and glutamine synthetase, an effect prevented by STAT3 deficiency [106]. This implies that reductions of synaptic glutamate clearance could play a major role in the excitotoxic damage to motor neurons in ALS (see Reducing excitotoxicity section below). This also suggests that inhibition of JAK/STAT signalling may reduce the activated A1 phenotype of these cells [23].

ALS astrocytes have been shown to be toxic to motor neurons [107] although the precise mechanism(s) have not been elucidated. One potential mechanism involves the astrocyte-induced reduction of MHC1 expression, resulting in astrocyte-mediated motor neuron death [108]. This lack of MHC1 expression may also make motor neurons susceptible to damage by invading natural killer (NK) cells. NK cells are highly upregulated in post-mortem motor cortex and spinal cord tissues of ALS cases [109, 110], consistent with an autoimmune component of the disease. The NK cells may invade the spinal cord in response to the upregulated inflammatory mediators IL-15 and MCP-1 (which signal through the JAK/STAT pathway [111]). In this context, depletion of NK cells in the *SOD1* and TDP43 murine models reduces the pace of motor neuron degeneration [109]. The JAK1/2 inhibitor ruxolitinib inhibited TLR4-mediated NK cell activation [38], and tofacitinib (a JAK1/2/3 inhibitor) protected ALS motor neurons from NK cell-mediated cytotoxicity in vitro and reduced NK cell numbers in mice [112].

Astrocytes expressing *SOD1* G93A also show abnormal responses to the alarmin HMGB1 which can be released by stressed motor neurons. These astrocytes fail to respond by increasing BDNF or GDNF, trophic factors which could help sustain the motor neurons [113]. Since HMGB1 signals through TLR4, this could perhaps be explained by the predicted low levels of mitoSTAT3 in ALS, which is required for some aspects of TLR4 inflammatory signalling [114].

#### **JAK/STAT signalling in ALS microglia**

Microglia accumulate in degenerating regions of the central nervous system (CNS), and a neuronal ER stress response with associated microglial activation precedes neurodegeneration [115]. Activated microglia have been described in post-mortem cortex and spinal cord samples of ALS patients [116]. The proportion of toxic M1-type microglia increases at the onset of disease in the *SOD1* mouse model [117], which may accelerate disease progression [118]. This is consistent with the effect of masitinib, an inhibitor of the colony stimulating factor 1 receptor, which is predicted to reduce microglial-mediated inflammation and has been shown to delay the disease progression when given as an add-on to riluzole for over 48 weeks [119]. These M1 microglia can induce the polarisation of astrocytes into the toxic A1-like state through secretion of IL-1, C1q and TNF [120]. Post-mortem spinal cord microglia from ALS cases show a high degree of STAT3 activation [44], and it has also been shown recently that STAT3pY705 inhibition reduces the microglial-mediated inflammation in the spinal cord [121].

#### **JAK/STAT signalling in the glial type 1 IFN response**

Neuroinflammation may also be triggered by release of mitochondrial DNA from glial cells due to *SOD1*/TDP43-induced damage, resulting in activation of the inflammatory cGAS-STING pathway [122, 123]. Activation of this pathway is apparent in spinal cord samples from ALS patients and in the motor cortex of animal models [51]. The resultant type 1 IFN cytokines signal through JAK/STAT, suggesting that JAK inhibitors could reduce the proinflammatory effects of this pathway. Indeed, inhibition of this pathway reduces disease in ALS models [51]. In *C9ORF72* mutant models, the aberrant RNA metabolism, perhaps secondary to TDP43 malfunction, also causes inflammation through activation of the type 1 IFN response with consequent activation of JAK/STAT signalling. Type 1 IFN signalling induced by transfection of double-strand RNA (thus mimicking the effect of the repeat mutation in the *C9ORF72* gene) in human nerve cells was inhibited by JAKinibs [124]. Taken together, these data suggest that glial inflammatory damage and

type 1 IFN-mediated damage to motor neurons would be reduced by inhibition of JAK/STAT signalling.

The projection of motor neurons into the periphery renders them susceptible to the action of peripheral immune system components including macrophages. In post-mortem tissues, macrophages are associated with the axons of motor neurons, and *SOD1*-mutant macrophages are associated with faster progression and reduced survival in mice [125]. In ALS patients, the monocytes adopt a pro-inflammatory phenotype with increased expression of IL-1 $\beta$ , IL-8 and SOCS3 [126], the latter suggesting significant JAK/STAT signalling. Interestingly, reducing peripheral macrophage activation also reduces central microglial activation, suggesting that modification of peripheral macrophages could reduce some of the central neuroinflammation [127]. IL-6 has been shown to increase the anti-inflammatory (M2) properties of human and mouse macrophages at least partly through ERK signalling, perhaps mediated by STAT3pS727 [128]. This is consistent with both ERK [129] and STAT3 signalling being the major regulators of macrophage polarisation. JAK inhibitors do, however, have anti-inflammatory effects on M1-like macrophages and anti-fibrotic effects on M2-like macrophages, positioning them as generalised inhibitors of macrophage function [130].

Finally, STAT3 also promotes the expression of NACHT, LRR and PYD domain-containing protein 3 (NLRP3) and so the generation of IL-1 $\beta$ , one of the pro-inflammatory cytokines highly expressed in ALS serum [32] and strongly implicated in neuroinflammation [131]. In summary, the JAK/STAT signalling is pivotal to ALS-associated neuroinflammation and inhibitors will significantly reduce the inflammatory response to the ALS disease processes.

### Reducing muscle denervation and atrophy

It has long been suggested that the failure of the neuromuscular junction (NMJ) is one of the early processes in ALS, with a probable consequent loss of trophic support between nerve and muscle, resulting in nerve “die back” and muscle atrophy. Since an ALS-like syndrome can be induced by muscle-specific expression of hSOD1, such aggregates may contribute to the denervation of the muscle, perhaps through loss of proteins such as rapsyn required for the maintenance of the post-synaptic component of NMJ [98]. The resultant denervation may then result in motor neuronal injury and progression of the disease in the spinal cord.

Other conditions in which the NMJ fails include sarcopenia and cancer cachexia where this failure precedes muscle atrophy [132]. Since the establishment of a functional NMJ requires the elimination of less active

synapses on the muscle fibre, the denervation may induce dieback of synapses and axons, which is mediated by similar mechanisms as synaptic pruning. Such synaptic pruning in the CNS has recently been shown to be mediated by JAK2/STAT1 signalling in the corpus callosum [133], suggesting that increased cytokine/gp130 signalling (e.g. IL-6) could be responsible for the denervation seen in ALS.

Increased IL-6 activity is reported in ALS muscles, where increased synthesis of this myokine in fibro-adipogenic progenitors results in increased IL-6 production and STAT3 activation. Inhibition of IL-6/STAT3 prevents atrophy in the *SOD1* transgenic mice [134, 135] and in cancer cachexia models [136, 137]. Sartori et al. recently showed that in models of cancer-induced cachectic muscle wasting, the NMJ disassembly occurs before atrophy and is a consequence of STAT3-induced noggin expression [132]. The resultant inhibition of transforming growth factor beta family-mediated Mothers against decapentaplegic homolog (SMAD)1/5/8 signalling causes NMJ failure. This effect is synergistic with activin A- or myostatin-stimulated SMAD2/3 which also inhibits SMAD1/5/8 signalling, while increased SMAD1/5/8 signalling prevents the denervation. Similarly, Ma et al. [138] showed that JAK/STAT3 signalling mediates both IFN- and TNF-induced cachectic muscle wasting. Finally, the atrogenes responsible for muscle atrophy are induced by a combination of STAT3 and FOXO3 [139, 140]. It is therefore clear that STAT3 activation, mainly due to an increase in the myokine IL-6, can promote NMJ disassembly, which in turn further increases IL-6/STAT3 signalling [141], creating a positive feedback loop, resulting in muscular atrophy. In addition, this or related cytokines may mediate both the synapse elimination and the axonal dieback via JAK2/STAT1 [133].

Since respiratory muscle failure is a major cause of ALS-associated mortality, it is important to consider the effect of the JAK/STAT pathway on respiratory muscles. Mechanical ventilation of the lungs causes significant diaphragm dysfunction characterised by atrophy and a reduction in force which can result in ventilator dependency [142]. The mechanisms implicated are similar to those seen in ALS, i.e., apoptosis, autophagy, ROS and ROS-induced mitochondrial dysfunction, coupled with aberrant calcium handling and resultant calpain activation [143]. In both human cases and rodent models, mechanical ventilation is associated with high levels of STAT3 activation which induce mitochondrial dysfunction and ROS generation, both of which are suppressed by JAK inhibition [144]. The JAK inhibitor tofacitinib is currently being tested in a clinical trial of ventilator-induced diaphragm atrophy [145] (NCT03681275).

### STAT3 stimulation of axon regrowth

One consequence of ALS is the progressive loss of motor axons which appear to be unable to repair, regrow or reform appropriate connections with the muscle fibres. Many transcription and other factors have been implicated in axonal growth and regeneration including STAT3 [146]. MitoSTAT3 has been shown to significantly potentiate axonal regrowth in injured CNS neurons, together with the action of nuclear STAT3 [147]. Accordingly, under conditions of excessive ROS and cytokine action as seen in ALS, the predominance of nuclear STAT3pY705 may preclude the generation of adequate mitoSTAT3, thereby preventing appropriate axonal repair. Axonal repair may also be inhibited by the depletion of cytoplasmic unphosphorylated STAT3 under conditions of chronic cytokine and ROS stimulation, since it is required for microtubule stabilization [148]. This could be one of the reasons that chronic secondary inflammation after spinal cord injury prevents appropriate axonal regrowth (see for example Pang et al. [149]). Consistent with this, the JAK1/2 inhibitor ruxolitinib has been shown to improve motor recovery after spinal cord injury in mice [150], perhaps by normalising the balance between mitochondrial, cytoplasmic and nuclear actions of STAT3.

### Reducing excitotoxicity

The reduced ability of ALS A1-like astrocytes to clear synaptic glutamate [106] resulting in increased stimulation of excitatory glutamate receptor probably exacerbates the failure of the mitochondrial/ER mechanism to buffer cytoplasmic calcium in motor neurons. The combination of increased excitation and reduced calcium buffering will then contribute to the decline of these neurons. It has been suggested that motor neurons, due to their large size and plethora of excitatory calcium-permeable AMPA receptors, are particularly susceptible to excitotoxicity. Supporting evidence comes from the partial efficacy of riluzole which may reduce synaptic glutamate release by inactivation of Na<sup>+</sup> channels [151], and from the detection of cortical hyperexcitability in ALS patients [4]. Calcium-permeable AMPA receptors are highly expressed in motor neurons [78, 152], putting extra strain on the calcium buffering capacity of these cells. Indeed, inhibiting the Q/R editing of the GluA2 subunit of the AMPA receptor through adenosine deaminase ADAR2 deficiency induces an ALS-like phenotype, reinforcing the idea that calcium mishandling contributes to this disease [153]. In addition, it appears that the CaV1.3 voltage-sensitive Ca<sup>2+</sup> channel and unedited AMPAR GluA2 subunits are more highly expressed in ALS-sensitive motor neurons than in the more resistant oculomotor neurons [154]. Inhibiting JAK/STAT signalling will

increase synaptic glutamate clearance by astrocytes [106], reduce cytokine-induced cytoplasmic calcium [155], and increase the calcium-buffering capacity (through restoration of the mitochondrial ETC), thereby reducing the excitotoxic stress on motor neurons.

Hyperexcitability of cortical neurons in ALS has been widely described as an aspect of the ALS disease, with a reduction in threshold potential resulting in increased excitability and reduced inhibition [156]. This hyperexcitability is associated with reduced GABA and increased glutamate/glutamine levels in the motor cortices of ALS patients [157]. Interestingly, in epilepsy models, inhibition of JAK/STAT signalling prevents the loss of GABAergic neurons [158], while in brain injury models, elevated STAT3 inhibits the expression of GABA receptor subunits [159] and STAT3 has been implicated in mediating the development of epilepsy-associated hyperexcitability [160]. The hyperexcitability may also be a consequence of JAK2-mediated inhibition of the Na<sup>+</sup>/K<sup>+</sup>-ATPase [161], which is the major driver of the membrane potential, suggesting that under conditions of high cytokine action (when JAK2 is active) the membrane of the motor neurons may become partially depolarised and so hyper-responsive to depolarising stimuli. The alpha3 subunit of the Na<sup>+</sup>/K<sup>+</sup>-ATPase is heavily implicated in ALS disease progression, particularly in the SOD1 models, since SOD1 aggregates bind this subunit [162], and prevention of such binding increases the Na<sup>+</sup>/K<sup>+</sup>-ATPase activity and extends survival presumably through reduced excitability [162]. These observations suggest that JAK/STAT inhibitors could reduce the hyperexcitability of upper motor neurons through maintenance of the cortical GABAergic inhibition and the polarisation of neuronal plasma membranes. However, increasing motor neuron excitability with AMPA receptor agonists can also extend survival [163], so it is not clear what role excitability plays in the disease [164]. It is tempting to speculate that these contradictory data may be a consequence of different stages of disease with hyperexcitability in early stages and a compensatory reduced excitability in later stages.

### Reducing ER stress

ER stress and UPR are activated by many ALS-related proteins, including SOD1, C9ORF72, FUS and TDP43, suggesting that this pathway may be a source of potential therapeutic targets. All 3 major pathways of the UPR interact with JAK/STAT signalling. Inhibition of JAK/STAT signalling directly inhibits the serine/threonine-protein kinase/endoribonuclease IRE1a and eukaryotic translation initiation factor 2-alpha kinase 3 (EIF2AK3 or PERK) arms of the UPR through blockade of type 1 IFN receptors [165] and PERK [166], respectively, while also reducing activating transcription factor 6 expression in

the third arm [167]. Improvements in mitoSTAT3 provision to the mitochondria through JAK/STAT inhibition could also reduce ER stress [168].

In addition, the generation of misfolded dipeptide repeat proteins through repeat-associated non-AUG (RAN) translation of the RNA hexanucleotide repeat expansion in the *C9ORF72* mutation results in activation of ER stress and the integrated stress response. The widely used antidiabetic drug metformin has recently been shown to be effective in a model of *C9ORF72*-ALS [90] through inhibition of the ER stress-related IFN-induced, double-stranded RNA-activated protein kinase (PKR). However, the integrated stress response is also activated through PERK which signals through JAK/STAT, suggesting that a combination of a JAK inhibitor with metformin would be most effective in patients with dipeptide repeat and other misfolded proteins such as TDP43. The combination of improved protein aggregate clearance and inhibition of the downstream consequences of the UPR by JAK/STAT inhibitors will significantly reduce the effects of the ER stress response in motor neurons.

### JAK inhibitors

JAK inhibitors have been approved for the treatment of resistant rheumatoid arthritis (tofacitinib, baricitinib, filgotinib, upadacitinib) and myelofibrosis (ruxolitinib, fedratinib) [169]. Due to the involvement of upper motor neurons in ALS, it would be beneficial for the selected JAK inhibitors to be at least partially CNS-penetrant. In this context, the relatively low plasma-protein-binding of tofacitinib and baricitinib (approximately 50%) makes them good candidates, but tofacitinib has very low brain preparation (FDA Pharmacology Review). In contrast, baricitinib at therapeutic doses crosses the barrier in non-human primates (CSF concentration approximately 20% of total plasma concentration) [170], despite being a substrate of the CNS efflux pumps P glycoprotein (PGP) and a breast cancer resistance protein. Interestingly, progressive multiple atrophy is a form of motor neuron disease largely restricted to lower motor neurons which are exposed outside the blood–brain barrier, suggesting that high brain penetrance may not be required for this form of the disease. Other properties required for a JAK inhibitor treatment of ALS include inhibition of IL-6/gp130 (i.e. JAK1/2/Tyk2) and IFN $\alpha$  and  $\beta$  (JAK1/TYK2) signalling. JAK3 inhibition may also be beneficial through a reduction in NK cell and other pro-inflammatory cascades.

Although it would be better to use a fully brain-penetrant JAK inhibitor to reduce the dose required, there are no approved inhibitors of JAK1 and JAK2 with better brain access than baricitinib to our knowledge [171].

The side-effect profiles of the JAK inhibitors are variable. For tofacitinib and baricitinib, opportunistic and herpes zoster infections are the major adverse events in the context of prolonged dosing.

Long-term treatment (months to years) with JAK inhibitors is associated with side effects in a small number of patients, including venous thromboembolisms and Herpes infections [172]. In the clinical trials assessed by the EMA for the registration of baricitinib which included 4214 patient years, the most significant side-effect was a small increase of upper respiratory tract infections (similar to that observed with methotrexate). The incidence of Herpes zoster infections was low (3.2 per 100 patient-years), and similar to placebo [173].

However, in a 4-year study comparing tofacitinib and anti-TNF in patients aged over 50 years with rheumatoid arthritis in the presence of methotrexate, the JAK inhibitor showed an association with increased risks of cardiovascular issues (1.33-fold), cancers (1.48 fold) and herpes zoster reactivation (threefold) [174]. As a result, tofacitinib, baricitinib and upadacitinib have black box warnings for the risk of thrombosis and cancer [175]. In an analysis of 9 clinical trials in which some patients were dosed with baricitinib for up to 9 years, there were no significant differences for baricitinib versus placebo in the incidence of death, malignancy, serious infection, or major adverse cardiovascular events. The incidence per 100 patient years was 0.5 for venous thromboembolism, 0.3 for deep vein thrombosis, 0.2 for pulmonary embolism, and 1.0 for cancer [176]. Baricitinib has also been taken for brief periods by over one million seriously ill hospitalised patients with COVID-19. In meta-analyses, few, if any, drug-induced serious adverse events were reported in this patient population; in contrast, the drug showed significant mortality benefits even when added to other treatments such as steroids and tocilizumab [177]. In addition, the incidence of secondary infections with COVID-19 was reduced by 50% by baricitinib in the ACTT-2 clinical trial [178].

Baricitinib is approved in 2 mg and 4 mg oral formulations, has a half-life of 8–9 h and reaches a plasma C<sub>max</sub> (4 mg dose) of 112–135 nM, with 50% plasma protein bound, and equal plasma/blood equilibration implying free access to the inside of cells. The IC<sub>50</sub> at JAK1/2 is 5.8 nM, Tyk2 53 nM and >500 nM at JAK3. When dosing 4 mg qd the trough concentration is predicted to be 15 nM after a single dose with perhaps 2–3 nM in CSF. The effect of baricitinib on spinal cord inflammation in patients with ALS or Alzheimer's disease is currently the subject of a clinical trial also examining the drug exposure in the CNS (NCT05189106).



## Conclusions

JAK/STAT3 signalling is central to many of the disease processes associated with ALS. JAK inhibitors are therefore predicted to have widespread beneficial effects in ALS, correcting many pathophysiological processes including: mitochondrial dysfunction (abnormal morphology, reduced MMP, poor calcium buffering, reduced ATP generation), autophagy (thereby correcting protein aggregate accumulation and dysfunctional RNA metabolism), and neuroinflammation mediated by astrocytes, microglia and NK T cells, while simultaneously reducing the risk of excitotoxicity, ER stress and cytoplasmic calcium overload. Since it appears that motor neuron damage may result from both direct effects on the nerve (e.g. mediated by glial cells) and muscle atrophy-induced denervation, it is important that JAK inhibitors are predicted to protect both the neuron and the muscle through multiple mechanisms, including those with self-perpetuating positive feedback mechanisms (NMJ denervation and mitochondrial dysfunction). There are FDA- and EMA-approved JAK inhibitors which have significant, but tolerable side effects, which are likely to have a positive risk–benefit ratio given the progressive and lethal nature of ALS. Finally, this approach to identifying inhibitors capable of simultaneously inhibiting the multiple disease mechanisms operating in ALS could become a model for identifying therapeutics in other multi-factorial diseases, including other neurodegenerative diseases.

## Abbreviations

ALS	Amyotrophic lateral sclerosis
AMPA	$\alpha$ -Amino-3-hydroxy-5-methyl-4-isoxazolepropionic acid
ERK	Extracellular signal related kinase
ETC	Electron transport chain
GRIM-19	Genes associated with retinoid-IFN-induced mortality-19
IFN	Interferon
JAK	Janus kinase
KG	Knowledge graph
mitoSTAT	Mitochondrial STAT3
MMP	Mitochondrial membrane potential
PDK4	Pyruvate dehydrogenase kinase 4
SMAD	Mothers against decapentaplegic transcription factor
STAT3	Signal transducer and activator of transcription
UPR	Unfolded protein response

## Acknowledgements

Not applicable.

## Author contributions

Conception: PJR; data collection: PJR and DPS; all authors contributed to manuscript writing and proofreading.

## Funding

Use of the Benevolent AI KG was provided by BenevolentAI. This research received no external funding.

## Availability of data and materials

Not applicable.

## Declarations

### Ethics approval and consent to participate

Not applicable.

### Consent for publication

Not applicable.

### Competing interests

PJR, DPS, AdG, J A-T and SC are employees of BenevolentAI.

Received: 13 July 2023 Accepted: 3 October 2023

Published online: 12 October 2023

## References

- Masrori P, Van Damme P. Amyotrophic lateral sclerosis: a clinical review. *Eur J Neurol*. 2020;27:1918–29.
- Elamin M, Bede P, Byrne S, Jordan N, Gallagher L, Wynne B, et al. Cognitive changes predict functional decline in ALS: a population-based longitudinal study. *Neurology*. 2013;80:1590–7.
- Longinetti E, Fang F. Epidemiology of amyotrophic lateral sclerosis: an update of recent literature. *Curr Opin Neurol*. 2019;32:771–6.
- Mead RJ, Shan N, Reiser HJ, Marshall F, Shaw PJ. Amyotrophic lateral sclerosis: a neurodegenerative disorder poised for successful therapeutic translation. *Nat Rev Drug Discov*. 2023;22:185–212.
- Andrews JA, Jackson CE, Heiman-Patterson TD, Bettica P, Brooks BR, Piro EP, et al. Real-world evidence of riluzole effectiveness in treating amyotrophic lateral sclerosis. *Amyotroph Lateral Scler Frontotemporal Degener*. 2020;21:509–18.
- Nosengo N. Can you teach old drugs new tricks? *Nature*. 2016;534:314–6.
- Zhou Y, Hou Y, Shen J, Huang Y, Martin W, Cheng F, et al. Network-based drug repurposing for novel coronavirus 2019-nCoV/SARS-CoV-2. *Cell Discov*. 2020;6:14.
- Jarada TN, Rokne JG, Alhaji RA. Review of computational drug repositioning: strategies, approaches, opportunities, challenges, and directions. *J Cheminform*. 2020;12:46.
- Zhou Y, Wang F, Tang J, Nussinov R, Cheng F. Artificial intelligence in COVID-19 drug repurposing. *Lancet Digit Health*. 2020;2:e667–76.
- Gordon DE, Jang GM, Bouhaddou M, Xu J, Obernier K, O'Meara MJ, et al. A SARS-CoV-2 protein interaction map reveals targets for drug repurposing. *Nature*. 2020;583:459–68.
- Zeng X, Song X, Ma T, Pan X, Zhou Y, Hou Y, et al. Repurpose open data to discover therapeutics for COVID-19 using deep learning. *J Proteome Res*. 2020;19:4624–36.
- Richardson PJ, Griffin I, Tucker C, Smith D, Oeschle O, Phelan P, et al. Baricitinib as potential treatment for 2019-nCoV acute respiratory disease. *Lancet*. 2020;395:e30–1.
- Stebbing J, Phelan A, Griffin I, Tucker C, Oeschle O, Smith D, et al. COVID-19: combining antiviral and anti-inflammatory treatments. *Lancet Infect Dis*. 2020;20:400–2.
- Stebbing J, Sánchez Nieves G, Falcone M, Youhanna S, Richardson P, Ottaviani S, et al. JAK inhibition reduces SARS-CoV-2 liver infectivity and modulates inflammatory responses to reduce morbidity and mortality. *Sci Adv*. 2021;7(1):eabe4724.
- Kalil AC, Patterson TF, Mehta AK, Tomashek KM, Wolfe CR, Ghazaryan V, et al. Baricitinib plus remdesivir for hospitalized adults with covid-19. *N Engl J Med*. 2021;384:795–807.
- Marconi VC, Ramanan AV, de Bono S, Kartman CE, Krishnan V, Liao R, et al. Efficacy and safety of baricitinib for the treatment of hospitalised adults with COVID-19 (COV-BARRIER): a randomised, double-blind, parallel-group, placebo-controlled phase 3 trial. *Lancet Respir Med*. 2021;9:1407–18.
- Paliwal S, de Giorgio A, Neil D, Michel JB, Lacoste AM. Preclinical validation of therapeutic targets predicted by tensor factorization on heterogeneous graphs. *Sci Rep*. 2020;10:18250.



18. Smith DP, Oechsle O, Rawling MJ, Savory E, Lacoste AMB, Richardson PJ. Expert-augmented computational drug repurposing identified baricitinib as a treatment for COVID-19. *Front Pharmacol*. 2021;12:709856.
19. Chakraborty A, Diwan A. Biomarkers and molecular mechanisms of amyotrophic lateral sclerosis. *AIMS Neurosci*. 2022;9:423–43.
20. Goutman SA, Hardiman O, Al-Chalabi A, Chió A, Savelieff MG, Kiernan MC, et al. Emerging insights into the complex genetics and pathophysiology of amyotrophic lateral sclerosis. *Lancet Neurol*. 2022;21:465–79.
21. Humphrey J, Venkatesh S, Hasan R, Herb JT, de Paiva LK, Küçükali F, et al. Integrative transcriptomic analysis of the amyotrophic lateral sclerosis spinal cord implicates glial activation and suggests new risk genes. *Nat Neurosci*. 2023;26:150–62.
22. Aznar S, Valerón PF, del Rincon SV, Pérez LF, Perona R, Lacal JC, et al. Simultaneous tyrosine and serine phosphorylation of STAT3 transcription factor is involved in Rho A GTPase oncogenic transformation. *Mol Biol Cell*. 2001;12:3282–94.
23. Ceyzériat K, Abjean L, Carrillo-de Sauvage MA, Ben Haim L, Escartin C. The complex STATes of astrocyte reactivity: How are they controlled by the JAK-STAT3 pathway? *Neuroscience*. 2016;330:205–18.
24. Tammineni P, Anugula C, Mohammed F, Anjaneyulu M, Larner AC, Sepuri NB. The import of the transcription factor STAT3 into mitochondria depends on GRIM-19, a component of the electron transport chain. *J Biol Chem*. 2013;288:4723–32.
25. Huang Y, Yang M, Hu H, Zhao X, Bao L, Huang D, et al. Mitochondrial GRIM-19 as a potential therapeutic target for STAT3-dependent carcinogenesis of gastric cancer. *Oncotarget*. 2016;7:41404–20.
26. Mishra S, Kumar S, Choudhuri KSR, Longkumer I, Koyyada P, Kharsyiemong ET. Structural exploration with AlphaFold2-generated STAT3 $\alpha$  structure reveals selective elements in STAT3 $\alpha$ -GRIM-19 interactions involved in negative regulation. *Sci Rep*. 2021;11:23145.
27. Ashizawa Y, Kuboki S, Nojima H, Yoshitomi H, Furukawa K, Takaya-shiki T, et al. OLFM4 enhances STAT3 activation and promotes tumor progression by inhibiting GRIM19 expression in human hepatocellular carcinoma. *Hepatol Commun*. 2019;3:954–70.
28. Flanagan SE, Haapaniemi E, Russell MA, Caswell R, Allen HL, De Franco E, et al. Activating germline mutations in STAT3 cause early-onset multi-organ autoimmune disease. *Nat Genet*. 2014;46:812–4.
29. Rincon M, Pereira FV. A new perspective: mitochondrial Stat3 as a regulator for lymphocyte function. *Int J Mol Sci*. 2018;19:1656.
30. Liu B, Chen R, Zhang Y, Huang J, Luo Y, Rosthøj S, et al. Cationic amphiphilic antihistamines inhibit STAT3 via Ca<sup>2+</sup>-dependent lysosomal H<sup>+</sup> efflux. *Cell Rep*. 2023;42: 112137.
31. Liu B, Palmfeldt J, Lin L, Colaço A, Clemmensen KKB, Huang J, et al. STAT3 associates with vacuolar H<sup>+</sup>-ATPase and regulates cytosolic and lysosomal pH. *Cell Res*. 2018;28:996–1012.
32. Tortelli R, Zecca C, Piccininni M, Benmahamed S, Dell'Abate MT, Barulli MR, et al. Plasma inflammatory cytokines are elevated in ALS. *Front Neurol*. 2020;11: 552295.
33. Chen X, Hu Y, Cao Z, Liu Q, Cheng Y. Cerebrospinal fluid inflammatory cytokine aberrations in Alzheimer's disease, Parkinson's disease and amyotrophic lateral sclerosis: a systematic review and meta-analysis. *Front Immunol*. 2018;9:2122.
34. Ohgomori T, Yamasaki R, Takeuchi H, Kadamatsu K, Kira JJ, Jinno S. Differential activation of neuronal and glial STAT3 in the spinal cord of the SOD1G93A mouse model of amyotrophic lateral sclerosis. *Eur J Neurosci*. 2017;46:2001–14.
35. Kramer AH, Edkins AL, Hoppe HC, Prinsloo E. Dynamic mitochondrial localisation of STAT3 in the cellular adipogenesis model 3T3-L1. *J Cell Biochem*. 2015;116:1232–40.
36. Meier JA, Hyun M, Cantwell M, Raza A, Mertens C, Raje V, et al. Stress-induced dynamic regulation of mitochondrial STAT3 and its association with cyclophilin D reduce mitochondrial ROS production. *Sci Signal*. 2017;10:eaag2588.
37. Smith EF, Shaw P, De Vos KJ. The role of mitochondria in amyotrophic lateral sclerosis. *Neurosci Lett*. 2019;710: 132933.
38. Jara JH, Gautam M, Kocak N, Xie EF, Mao Q, Bigio EH, et al. MCP1-CCR2 and neuroinflammation in the ALS motor cortex with TDP-43 pathology. *J Neuroinflammation*. 2019;16:196.
39. Reale LA, Dyer MS, Perry SE, Young KM, Dickson TC, Woodhouse A, et al. Pathologically mislocalised TDP-43 in upper motor neurons causes a die-forward spread of ALS-like pathogenic changes throughout the mouse corticomotor system. *Prog Neurobiol*. 2023;226: 102449.
40. Genç B, Gautam M, Gözütok Ö, Dervishi I, Sanchez S, Goshu GM, et al. Improving mitochondria and ER stability helps eliminate upper motor neuron degeneration that occurs due to mSOD1 toxicity and TDP-43 pathology. *Clin Transl Med*. 2021;11: e336.
41. Timmins HC, Vucic S, Kiernan MC. Cortical hyperexcitability in amyotrophic lateral sclerosis: from pathogenesis to diagnosis. *Curr Opin Neurol*. 2023;36:353–9.
42. Jhanji R, Behl T, Sehgal A, Bungau S. Mitochondrial dysfunction and traffic jams in amyotrophic lateral sclerosis. *Mitochondrion*. 2021;58:102–10.
43. Franceschi C, Bonafè M, Valensin S, Olivieri F, De Luca M, Ottaviani E, et al. Inflamm-aging. An evolutionary perspective on immunosenescence. *Ann NY Acad Sci*. 2000;908:244–54.
44. Shibata N, Yamamoto T, Hiroi A, Omi Y, Kato Y, Kobayashi M. Activation of signal transducer and activator of transcription-3 in the spinal cord of sporadic amyotrophic lateral sclerosis patients. *Neurodegener Dis*. 2009;6:118–26.
45. Shibata N, Kakita A, Takahashi H, Ihara Y, Nobukuni K, Fujimura H, et al. Activation of STAT3 and inhibitory effects of pioglitazone on STAT3 activity in a mouse model of SOD1-mutated amyotrophic lateral sclerosis. *Neuropathology*. 2010;30:353–60.
46. Wiedemann FR, Manfredi G, Mawrin C, Beal MF, Schon EA. Mitochondrial DNA and respiratory chain function in spinal cords of ALS patients. *J Neurochem*. 2002;8:616–25.
47. Crugnola V, Kakita A, Takahashi H, Ihara Y, Nobukuni K, Fujimura H, et al. Mitochondrial respiratory chain dysfunction in muscle from patients with amyotrophic lateral sclerosis. *Arch Neurol*. 2010;67:849–54.
48. Ehinger JK, Morota S, Hansson MJ, Paul G, Elmér E. Mitochondrial dysfunction in blood cells from amyotrophic lateral sclerosis patients. *J Neurol*. 2015;262:1493–503.
49. Ghiasi P, Hosseinkhani S, Noori A, Nafissi S, Khajeh K. Mitochondrial complex I deficiency and ATP/ADP ratio in lymphocytes of amyotrophic lateral sclerosis patients. *Neurol Res*. 2012;34:297–303.
50. Zuo X, Zhou J, Li Y, Wu K, Chen Z, Luo Z, et al. TDP-43 aggregation induced by oxidative stress causes global mitochondrial imbalance in ALS. *Nat Struct Mol Biol*. 2021;28:132–42.
51. Yu CH, Davidson S, Harapas CR, Hilton JB, Mlodzianoski MJ, Laohamonthonkul P, et al. TDP-43 triggers mitochondrial DNA release via mPTP to activate cGAS/STING in ALS. *Cell*. 2020;183:636–49.
52. Demaria M, Zhou J, Li Y, Wu K, Chen Z, Luo Z, et al. A STAT3-mediated metabolic switch is involved in tumour transformation and STAT3 addiction. *Aging (Albany NY)*. 2010;2:823–42.
53. Oberhuber M, Pecoraro M, Rusz M, Oberhuber G, Wieselberg M, Haslinger P, et al. STAT3-dependent analysis reveals PDK4 as independent predictor of recurrence in prostate cancer. *Mol Syst Biol*. 2020;16: e9247.
54. de la Rubia Ortí JE, Armero JLP, Sanchis-Sanchis CE, Sancho-Castillo S, Salazar A, Caplliure-Llopis J, et al. Muscle function differences between patients with bulbar and spinal onset amyotrophic lateral sclerosis. Does it depend on peripheral glucose? *J Clin Med*. 2021;10:1582.
55. Tošić I, Frank DA. STAT3 as a mediator of oncogenic cellular metabolism: pathogenic and therapeutic implications. *Neoplasia*. 2021;23:1167–78.
56. Jiang T, Peng D, Shi W, Guo J, Huo S, Men L, et al. IL-6/STAT3 signaling promotes cardiac dysfunction by upregulating FUNDC1-dependent mitochondria-associated endoplasmic reticulum membranes formation in sepsis mice. *Front Cardiovasc Med*. 2022;8: 790612.
57. Hwang J, Namgung U. Phosphorylation of STAT3 by axonal Cdk5 promotes axonal regeneration by modulating mitochondrial activity. *Exp Neurol*. 2021;335: 113511.
58. Hyun M, Kim H, Kim J, Lee J, Lee HJ, Rathor L, et al. Melatonin protects against cadmium-induced oxidative stress via mitochondrial STAT3 signaling in human prostate stromal cells. *Commun Biol*. 2023;6:157.
59. Liu YJ, McIntyre RL, Janssens GE, Houtkooper RH. Mitochondrial fission and fusion: a dynamic role in aging and potential target for age-related disease. *Mech Ageing Dev*. 2020;186: 111212.
60. Nan J, Zhu W, Rahman MS, Liu M, Li D, Su S, et al. Molecular regulation of mitochondrial dynamics in cardiac disease. *Biochim Biophys Acta Mol Cell Res*. 2017;1864:1260–73.

61. Fix DK, VanderVeen BN, Counts B, Carson JA. Regulation of skeletal muscle DRP-1 and FIS-1 protein expression by IL-6 signaling. *Oxid Med Cell Longev*. 2019;2019:8908457.
62. Ji C, Chen X, Gao C, Jiao L, Wang J, Xu G, et al. IL-6 induces lipolysis and mitochondrial dysfunction, but does not affect insulin-mediated glucose transport in 3T3-L1 adipocytes. *J Bioenerg Biomembr*. 2011;43:367–75.
63. Shen YL, Shi YZ, Chen GG, Wang LL, Zheng MZ, Jin HF, et al. TNF- $\alpha$  induces Drp1-mediated mitochondrial fragmentation during inflammatory cardiomyocyte injury. *Int J Mol Med*. 2018;41:2317–27.
64. Reddy CA, Somepalli V, Golakoti T, Kanugula AK, Karnewar S, Rajendiran K, et al. Mitochondrial-targeted curcuminoids: a strategy to enhance bioavailability and anticancer efficacy of curcumin. *PLoS ONE*. 2014;9:e89351.
65. Erlich TH, Sharkia I, Landolina N, Assayag M, Goldberger O, Berkman N, et al. Modulation of allergic responses by mitochondrial STAT3 inhibitors. *Allergy*. 2018;73:2160–71.
66. Pavlyuchenkova AN, Chelombitko MA, Fedorov AV, Kuznetsova MK, Zinovkin RA, Razin E. The distinct effects of the mitochondria-targeted STAT3 inhibitors Mitocur-1 and Mitocur-3 on mast cell and mitochondrial functions. *Int J Mol Sci*. 2023;24:1471.
67. Niu G, Briggs J, Deng J, Ma Y, Lee H, Kortylewski M, et al. Signal transducer and activator of transcription 3 is required for hypoxia-inducible factor-1 $\alpha$  RNA expression in both tumor cells and tumor-associated myeloid cells. *Mol Cancer Res*. 2008;6:1099–105.
68. Camporeale A, Demaria M, Monteleone E, Giorgi C, Wieckowski MR, Pinton P, et al. STAT3 activities and energy metabolism: dangerous liaisons. *Cancers (Basel)*. 2014;6:1579–96.
69. Pawlus MR, Wang L, Hu CJ. STAT3 and HIF1 $\alpha$  cooperatively activate HIF1 target genes in MDA-MB-231 and RCC4 cells. *Oncogene*. 2014;33:1670–9.
70. Poli V, Camporeale A. STAT3-mediated metabolic reprogramming in cellular transformation and implications for drug resistance. *Front Oncol*. 2015;5:121.
71. Borthwick GM, Johnson MA, Ince PG, Shaw PJ, Turnbull DM. Mitochondrial enzyme activity in amyotrophic lateral sclerosis: implications for the role of mitochondria in neuronal cell death. *Ann Neurol*. 1999;46:787–90.
72. Wiedemann FR, Winkler K, Kuznetsov AV, Bartels C, Vielhaber S, Feistner H, et al. Impairment of mitochondrial function in skeletal muscle of patients with amyotrophic lateral sclerosis. *J Neurol Sci*. 1998;156:65–72.
73. Vielhaber S, Kunz D, Winkler K, Wiedemann FR, Kirches E, Feistner H, et al. Mitochondrial DNA abnormalities in skeletal muscle of patients with sporadic amyotrophic lateral sclerosis. *Brain*. 2000;123:1339–48.
74. Shaw PJ, Ince PG, Falkous G, Mantle D. Oxidative damage to protein in sporadic motor neuron disease spinal cord. *Ann Neurol*. 1995;38:691–5.
75. Onesto E, Colombrita C, Gumina V, Borghi MO, Dusi S, Doretti A, et al. Gene-specific mitochondrial dysfunctions in human TARDBP and C9orf72 fibroblasts. *Acta Neuropathol Commun*. 2016;4:47.
76. Damiano M, Starkov AA, Petri S, Kipiani K, Kiaei M, Mattiazzi M, et al. Neural mitochondrial Ca<sup>2+</sup> capacity impairment precedes the onset of motor symptoms in G93A Cu/Zn-superoxide dismutase mutant mice. *J Neurochem*. 2006;96:1349–61.
77. Siklós L, Engelhardt J, Harati Y, Smith RG, Joó F, Appel SH. Ultrastructural evidence for altered calcium in motor nerve terminals in amyotrophic lateral sclerosis. *Ann Neurol*. 1996;39:203–16.
78. Van Den Bosch L, Vandenberghe W, Klaassen H, Van Houtte E, Robberecht W. Ca<sup>2+</sup>-permeable AMPA receptors and selective vulnerability of motor neurons. *J Neurol Sci*. 2000;180:29–34.
79. Bright F, Chan G, van Hummel A, Ittner LM, Ke YD. TDP-43 and inflammation: implications for amyotrophic lateral sclerosis and frontotemporal dementia. *Int J Mol Sci*. 2021;22:7781.
80. Geser F, Winton MJ, Kwong LK, Xu Y, Xie SX, Igaz LM, et al. Pathological TDP-43 in parkinsonism-dementia complex and amyotrophic lateral sclerosis of Guam. *Acta Neuropathol*. 2008;115:133–45.
81. Lagier-Tourenne C, Polymenidou M, Hutt KR, Vu AQ, Baughn M, Huelga SC, et al. Divergent roles of ALS-linked proteins FUS/TLS and TDP-43 intersect in processing long pre-mRNAs. *Nat Neurosci*. 2012;15:1488–97.
82. Chou CC, Zhang Y, Umoh ME, Vaughan SW, Lorenzini I, Liu F, et al. TDP-43 pathology disrupts nuclear pore complexes and nucleocytoplasmic transport in ALS/FTD. *Nat Neurosci*. 2018;21:228–39.
83. Alami NH, Smith RB, Carrasco MA, Williams LA, Winborn CS, Han SSW, et al. Axonal transport of TDP-43 mRNA granules is impaired by ALS-causing mutations. *Neuron*. 2014;81:536–43.
84. Wolozin B, Ivanov P. Stress granules and neurodegeneration. *Nat Rev Neurosci*. 2019;20:649–66.
85. Houghton OH, Mizielinska S, Gomez-Suaga P. The interplay between autophagy and RNA homeostasis: implications for amyotrophic lateral sclerosis and frontotemporal dementia. *Front Cell Dev Biol*. 2022;10:838402.
86. Barmada SJ, Serio A, Arjun A, Bilican B, Daub A, Ando DM, et al. Autophagy induction enhances TDP43 turnover and survival in neuronal ALS models. *Nat Chem Biol*. 2014;10:677–85.
87. Ryu HH, Jun MH, Min KJ, Jang DJ, Lee YS, Kim HK, et al. Autophagy regulates amyotrophic lateral sclerosis-linked fused in sarcoma-positive stress granules in neurons. *Neurobiol Aging*. 2014;35:2822–31.
88. Staats KA, Hernandez S, Schönefeldt S, Bento-Abreu A, Dooley J, Van Damme P, et al. Rapamycin increases survival in ALS mice lacking mature lymphocytes. *Mol Neurodegener*. 2013;8:31.
89. Wang IF, Guo BS, Liu YC, Wu CC, Yang CH, Tsai KJ, et al. Autophagy activators rescue and alleviate pathogenesis of a mouse model with proteinopathies of the TAR DNA-binding protein 43. *Proc Natl Acad Sci U S A*. 2012;109:15024–9.
90. Zu T, Guo S, Bardhi O, Ryskamp DA, Li J, Khoramian Tusi S, et al. Metformin inhibits RAN translation through PKR pathway and mitigates disease in C9orf72 ALS/FTD mice. *Proc Natl Acad Sci U S A*. 2020;117:18591–9.
91. Nalbandian A, Llewellyn KJ, Nguyen C, Yazdi PG, Kimonis VE. Rapamycin and chloroquine: the in vitro and in vivo effects of autophagy-modifying drugs show promising results in valosin containing protein multisystem proteinopathy. *PLoS ONE*. 2015;10:e0122888.
92. Qin B, Zhou Z, He J, Yan C, Ding S. IL-6 inhibits starvation-induced autophagy via the STAT3/Bcl-2 signaling pathway. *Sci Rep*. 2015;5:15701.
93. You L, Wang Z, Li H, Shou J, Jing Z, Xie J, et al. The role of STAT3 in autophagy. *Autophagy*. 2015;11:729–39.
94. Xu J, Zhang J, Mao QF, Wu J, Wang Y. The interaction between autophagy and JAK/STAT3 signaling pathway in tumors. *Front Genet*. 2022;13:880359.
95. Kato Y, Sakamoto K. Niclosamide affects intracellular TDP-43 distribution in motor neurons, activates mitophagy, and attenuates morphological changes under stress. *J Biosci Bioeng*. 2021;132:640–50.
96. Hung ST, Linares GR, Chang WH, Eoh Y, Krishnan G, Mendonca S, et al. PIKFYVE inhibition mitigates disease in models of diverse forms of ALS. *Cell*. 2023;186:786–802.
97. Turner BJ, Lopes EC, Cheema SS. Neuromuscular accumulation of mutant superoxide dismutase 1 aggregates in a transgenic mouse model of familial amyotrophic lateral sclerosis. *Neurosci Lett*. 2003;350:132–6.
98. Martin LJ, Wong M. Skeletal muscle-restricted expression of human SOD1 in transgenic mice causes a fatal ALS-like syndrome. *Front Neurol*. 2020;11:592851.
99. Kallstig E, McCabe BD, Schneider BL. The links between ALS and NF-kappaB. *Int J Mol Sci*. 2021;22:3875.
100. Correia AS, Patel P, Dutta K, Julien JP. Inflammation induces TDP-43 mislocalization and aggregation. *PLoS ONE*. 2015;10:e014024.
101. Cassina P, Miquel E, Martínez-Palma L, Cassina A. Glial metabolic reprogramming in amyotrophic lateral sclerosis. *NeuroImmunoModulation*. 2021;28:204–12.
102. Mi Y, Qi G, Vitali F, Shang Y, Raikes AC, Wang T, et al. Loss of fatty acid degradation by astrocytic mitochondria triggers neuroinflammation and neurodegeneration. *Nat Metab*. 2023;5:445–65.
103. Liddelov SA, Barres BA. Reactive astrocytes: production, function, and therapeutic potential. *Immunity*. 2017;46:957–67.
104. Taha DM, Clarke BE, Hall CE, Tyzack GE, Ziff OJ, Greensmith L, et al. Astrocytes display cell autonomous and diverse early reactive states in familial amyotrophic lateral sclerosis. *Brain*. 2022;145:481–9.

105. Ziff OJ, Clarke BE, Taha DM, Crerar H, Luscombe NM, Patani R. Meta-analysis of human and mouse ALS astrocytes reveals multi-omic signatures of inflammatory reactive states. *Genome Res.* 2022;32:71–84.
106. Shi P, Li Z, He T, Li N, Xu X, Yu P, et al. Astrocyte-selective STAT3 knockdown rescues methamphetamine withdrawal-disrupted spatial memory in mice via restoring the astrocytic capacity of glutamate clearance in dCA1. *Glia.* 2021;69:2404–18.
107. Ferraiuolo L, Meyer K, Sherwood TW, Vick J, Likhite S, Frakes A, et al. Oligodendrocytes contribute to motor neuron death in ALS via SOD1-dependent mechanism. *Proc Natl Acad Sci U S A.* 2016;111:E6496–505.
108. Song S, Miranda CJ, Braun L, Meyer K, Frakes AE, Ferraiuolo L, et al. Major histocompatibility complex class I molecules protect motor neurons from astrocyte-induced toxicity in amyotrophic lateral sclerosis. *Nat Med.* 2016;22:397–403.
109. Garofalo S, Coccoza G, Porzia A, Inghilleri M, Raspa M, Scavizzi F, et al. Natural killer cells modulate motor neuron-immune cell cross talk in models of amyotrophic lateral sclerosis. *Nat Commun.* 2020;11:1773.
110. Murdock BJ, Famie JP, Piecuch CE, Pawlowski KD, Mendelson FE, Pieroni CH, et al. NK cells associate with ALS in a sex- and age-dependent manner. *JCI Insight.* 2021;6: e147129.
111. Mishra A, Sullivan L, Caligiuri MA. Molecular pathways: interleukin-15 signalling in health and in cancer. *Clin Cancer Res.* 2014;20:2044–50.
112. Figueroa-Romero C, Monteagudo A, Murdock BJ, Famie JP, Webber-Davis IF, Piecuch CE, et al. Tofacitinib suppresses natural killer cells in vitro and in vivo: implications for amyotrophic lateral sclerosis. *Front Immunol.* 2022;13:773288.
113. Brambilla L, Martorana F, Guidotti G, Rossi D. Dysregulation of astrocytic HMGB1 signaling in amyotrophic lateral sclerosis. *Front Neurosci.* 2018;12:622.
114. Balic JJ, Albargy H, Luu K, Kirby FJ, Jayasekara WSN, Mansell F, et al. STAT3 serine phosphorylation is required for TLR4 metabolic reprogramming and IL-1 $\beta$  expression. *Nat Commun.* 2020;11:3816.
115. Saxena S, Cabuy E, Caroni P. A role for motoneuron subtype-selective ER stress in disease manifestations of FALS mice. *Nat Neurosci.* 2009;12:627–36.
116. Ashford BA, Boche D, Cooper-Knock J, Heath PR, Simpson JE, Highley JR. Review: microglia in motor neuron disease. *Neuropathol Appl Neurobiol.* 2021;47:179–97.
117. Beers DR, Henkel JS, Zhao W, Wang J, Huang A, Wen S, et al. Endogenous regulatory T lymphocytes ameliorate amyotrophic lateral sclerosis in mice and correlate with disease progression in patients with amyotrophic lateral sclerosis. *Brain.* 2011;134:1293–314.
118. Boill e S, Yamanaka K, Lobsiger CS, Copeland NG, Jenkins NA, Kassiotis G, et al. Onset and progression in inherited ALS determined by motor neurons and microglia. *Science.* 2006;312:1389–92.
119. Mora JS, Bradley WG, Chaverri D, Hern andez-Barral M, Mascias J, Gamez J, et al. Long-term survival analysis of masitinib in amyotrophic lateral sclerosis. *Ther Adv Neurol Disord.* 2021;14:17562864211030364.
120. Liddelov SA, Guttenplan KA, Clarke LE, Bennett FC, Bohlen CJ, Schirmer L, et al. Neurotoxic reactive astrocytes are induced by activated microglia. *Nature.* 2017;541:481–7.
121. Liu R, Li Y, Wang Z, Chen P, Xie Y, Qu W, et al. Regulatory T cells promote functional recovery after spinal cord injury by alleviating microglia inflammation via STAT3 inhibition. *CNS Neurosci Ther.* 2023;29:2129–44.
122. Decout A, Katz JD, Venkatraman S, Ablasser A. The cGAS-STING pathway as a therapeutic target in inflammatory diseases. *Nat Rev Immunol.* 2021;21:548–69.
123. Kim J, Kim HS, Chung JH. Molecular mechanisms of mitochondrial DNA release and activation of the cGAS-STING pathway. *Exp Mol Med.* 2023;55:510–9.
124. Rodriguez S, Sahin A, Schrank BR, Al-Lawati H, Costantino I, Benz E, et al. Genome-encoded cytoplasmic double-stranded RNAs, found in C9ORF72 ALS-FTD brain, propagate neuronal loss. *Sci Transl Med.* 2021;13:eaaz4699.
125. Chiot A, Zaidi S, Iltis C, Ribon M, Berriat F, Schiaffino L, et al. Modifying macrophages at the periphery has the capacity to change microglial reactivity and to extend ALS survival. *Nat Neurosci.* 2020;23:1339–51.
126. Zhao W, Beers DR, Hooten KG, Sieglaff DH, Zhang A, Kalyana-Sundaram S, et al. Characterization of gene expression phenotype in amyotrophic lateral sclerosis monocytes. *JAMA Neurol.* 2017;74:677–85.
127. Boill e S. Local and remote interactions between macrophages and microglia in neurological conditions. *Curr Opin Immunol.* 2022;74:118–24.
128. Yang L, Guo P, Wang P, Wang W, Liu J. IL-6/ERK signaling pathway participates in type I IFN-programmed, unconventional M2-like macrophage polarization. *Sci Rep.* 2023;13:1827.
129. He L, Jhong JH, Chen Q, Huang KY, Strittmatter K, Kreuzer J, et al. Global characterization of macrophage polarization mechanisms and identification of M2-type polarization inhibitors. *Cell Rep.* 2021;37: 109955.
130. Lescoat A, Lelong M, Jeljeli M, Piquet-Pellorce C, Morzadec C, Ballerie A, et al. Combined anti-fibrotic and anti-inflammatory properties of JAK-inhibitors on macrophages in vitro and in vivo: perspectives for scleroderma-associated interstitial lung disease. *Biochem Pharmacol.* 2020;178: 114103.
131. Mendiola AS, Cardona AE. The IL-1 $\beta$  phenomena in neuroinflammatory diseases. *J Neural Transm (Vienna).* 2018;125:781–95.
132. Sartori R, Hagg A, Zampieri S, Armani A, Winbanks CE, Viana LR, et al. Perturbed BMP signaling and denervation promote muscle wasting in cancer cachexia. *Sci Transl Med.* 2021;13:eaay592.
133. Yasuda M, Nagappan-Chettiar S, Johnson-Venkatesh EM, Umemori H. An activity-dependent determinant of synapse elimination in the mammalian brain. *Neuron.* 2021;109:1333–49.
134. Madaro L, Passafaro M, Sala D, Etxaniz U, Lugarini F, Proietti D, et al. Denervation-activated STAT3-IL-6 signalling in fibro-adipogenic progenitors promotes myofibres atrophy and fibrosis. *Nat Cell Biol.* 2018;20:917–27.
135. Huang Z, Zhong L, Zhu J, Xu H, Ma W, Zhang L, et al. Inhibition of IL-6/JAK/STAT3 pathway rescues denervation-induced skeletal muscle atrophy. *Ann Transl Med.* 2020;8:1681.
136. Bonetto A, Aydogdu T, Jin X, Zhang Z, Zhan R, Puzis L, et al. JAK/STAT3 pathway inhibition blocks skeletal muscle wasting downstream of IL-6 and in experimental cancer cachexia. *Am J Physiol Endocrinol Metab.* 2012;303:E410–21.
137. Moresi V, Adao S, Berghella L. The JAK/STAT pathway in skeletal muscle pathophysiology. *Front Physiol.* 2019;10:500.
138. Ma JF, Sanchez BJ, Hall DT, Tremblay AK, Di Marco S, Gallouzi IE. STAT3 promotes IFN $\gamma$ /TNF $\alpha$ -induced muscle wasting in an NF- $\kappa$ B-dependent and IL-6-independent manner. *EMBO Mol Med.* 2017;9:622–37.
139. Mammucari C, Milan G, Romanello V, Masiero E, Rudolf R, Del Piccolo P, et al. FoxO3 controls autophagy in skeletal muscle in vivo. *Cell Metab.* 2007;6:458–71.
140. Harhous Z, Badawi S, Bona NG, Pillot B, Augeul L, Paillard M, et al. Critical appraisal of STAT3 pattern in adult cardiomyocytes. *J Mol Cell Cardiol.* 2019;131:91–100.
141. Yang X, Li M, Ji Y, Lin Y, Xu L, Gu X, et al. Changes of gene expression patterns of muscle pathophysiology-related transcription factors during denervated muscle atrophy. *Front Physiol.* 2022;13: 923190.
142. Hussain SN, Mofarrahi M, Sigala I, Kim HC, Vassiliakopoulos T, Maltais F, et al. Mechanical ventilation-induced diaphragm disuse in humans triggers autophagy. *Am J Respir Crit Care Med.* 2010;182:1377–86.
143. Zhang LJ, Ni SZ, Zhou XL, Zhao Y. Hemorrhagic shock sensitized the diaphragm to ventilator-induced dysfunction through the activation of IL-6/JAK/STAT signaling-mediated autophagy in rats. *Mediators Inflamm.* 2019;2019:3738409.
144. Tang H, Smith IJ, Hussain SN, Goldberg P, Lee M, Sugiarto S, et al. The JAK-STAT pathway is critical in ventilator-induced diaphragm dysfunction. *Mol Med.* 2015;20:579–89.
145. Shrager JB, Wang Y, Lee M, Nesbit S, Trope W, Konsker H, et al. Rationale and design of a mechanistic clinical trial of JAK inhibition to prevent ventilator-induced diaphragm dysfunction. *Respir Med.* 2021;189: 106620.
146. Qian C, Zhou FQ. Updates and challenges of axon regeneration in the mammalian central nervous system. *J Mol Cell Biol.* 2020;12:798–806.
147. Luo X, Ribeiro M, Bray ER, Lee DH, Yungheer BJ, Mehta ST, et al. Enhanced transcriptional activity and mitochondrial localization of STAT3 co-induce axon regrowth in the adult central nervous system. *Cell Rep.* 2016;15:398–410.
148. Ng DCH, Lin BH, Lim CP, Huang G, Zhang T, Poli V, et al. Stat3 regulates microtubules by antagonizing the depolymerization activity of stathmin. *J Cell Biol.* 2006;172:245–57.

149. Pang QM, Chen SY, Xu QJ, Fu SP, Yang YC, Zou WH, et al. Neuroinflammation and scarring after spinal cord injury: therapeutic roles of MSCs on inflammation and glial scar. *Front Immunol.* 2021;12: 751021.
150. Qian ZY, Kong RY, Zhang S, Wang BY, Chang J, Cao J, et al. Ruxolitinib attenuates secondary injury after traumatic spinal cord injury. *Neural Regen Res.* 2022;17:2029–35.
151. Doble A. The pharmacology and mechanism of action of riluzole. *Neurology.* 1996;47:5233–41.
152. Williams TL, Day NC, Ince PG, Kamboj RK, Shaw PJ. Calcium-permeable alpha-amino-3-hydroxy-5-methyl-4-isoxazole propionic acid receptors: a molecular determinant of selective vulnerability in amyotrophic lateral sclerosis. *Ann Neurol.* 1997;42:200–7.
153. Yamashita T, Kwak S. Cell death cascade and molecular therapy in ADAR2-deficient motor neurons of ALS. *Neurosci Res.* 2018;144:4–13.
154. Ragagnin AMG, Shadfar S, Vidal M, Jamali MS, Atkin JD. Motor neuron susceptibility in ALS/FTD. *Front Neurosci.* 2019;13:532.
155. Orellana DI, Quitanilla RA, Gonzalez-Billault C, Maccioni RB. Role of the JAKs/STATs pathway in the intracellular calcium changes induced by interleukin-6 in hippocampal neurons. *Neurotox Res.* 2005;8:295–304.
156. Vucic S, Pavey N, Haidar M, Turner BJ, Kiernan MC. Cortical hyperexcitability: diagnostic and pathogenic biomarker of ALS. *Neurosci Lett.* 2021;759: 136039.
157. Foerster BR, Pomper MG, Callaghan BC, Petrou M, Edden RA, Mohamed MA, et al. An imbalance between excitatory and inhibitory neurotransmitters in amyotrophic lateral sclerosis revealed by use of 3-T proton magnetic resonance spectroscopy. *JAMA Neurol.* 2013;70:1009–16.
158. Martín-Suárez S, Cortes JM, Bonifazi P. Blockage of STAT3 during epileptogenesis prevents GABAergic loss and imprinting of the epileptic state. *Brain.* 2023;146:3416–30.
159. Raible DJ, Frey LC, Del Angel YC, Carlsen J, Hund D, Russek SJ, et al. JAK/STAT pathway regulation of GABAA receptor expression after differing severities of experimental TBI. *Exp Neurol.* 2015;271:445–56.
160. Tipton AE, Cruz Del Angel Y, Hixson K, Carlsen J, Strode D, Busquet N, et al. Selective neuronal knockout of STAT3 function inhibits epilepsy progression, improves cognition, and restores dysregulated gene networks in a temporal lobe epilepsy model. *Ann Neurol.* 2023;94:106–22.
161. Bhavsar SK, Hosseinzadeh Z, Brenner D, Honisch S, Jilani K, Liu G, et al. Energy-sensitive regulation of Na<sup>+</sup>/K<sup>+</sup>-ATPase by Janus kinase 2. *Am J Physiol Cell Physiol.* 2014;306:C374–84.
162. Ruegsegger C, Maharjan N, Goswami A, Filézac de L'Etang A, Weis J, Troost D, et al. Aberrant association of misfolded SOD1 with Na<sup>+</sup>/K<sup>+</sup>-ATPase- $\alpha$ 3 impairs its activity and contributes to motor neuron vulnerability in ALS. *Acta Neuropathol.* 2016;131:427–51.
163. Saxena S, Roselli F, Singh K, Leptien K, Julien JP, Gros-Louis F, et al. Neuroprotection through excitability and mTOR required in ALS motoneurons to delay disease and extend survival. *Neuron.* 2013;80:80–96.
164. LoRusso E, Hickman J, Guo X. Ion channel dysfunction and altered motoneuron excitability in ALS. *Neurol Disord Epilepsy J.* 2019;3:124.
165. Studencka-Turski M, Çetin G, Junker H, Ebstein F, Krüger E. Molecular insight into the IRE1 $\alpha$ -mediated type I interferon response induced by proteasome impairment in myeloid cells of the brain. *Front Immunol.* 2019;10:2900.
166. Meares GP, Liu Y, Rajbhandari R, Qin H, Nozell SE, Mobley JA, et al. PERK-dependent activation of JAK1 and STAT3 contributes to endoplasmic reticulum stress-induced inflammation. *Mol Cell Biol.* 2014;34:3911–25.
167. Meng J, Liu K, Shao Y, Feng X, Ji Z, Chang B, et al. ID1 confers cancer cell chemoresistance through STAT3/ATF6-mediated induction of autophagy. *Cell Death Dis.* 2020;11:137.
168. Banerjee K, Keasey MP, Razskazovskiy V, Visavadiya NP, Jia C, Hagg T. Reduced FAK-STAT3 signaling contributes to ER stress-induced mitochondrial dysfunction and death in endothelial cells. *Cell Signal.* 2017;36:154–62.
169. Fragoulis GE, McInnes IB, Siebert S. New players in the field of immune-mediated diseases, beyond rheumatoid arthritis. *Rheumatology (Oxford).* 2019;58(Suppl 1):43–54.
170. Hoang TN, Pino M, Boddapati AK, Viox EG, Starke CE, Upadhyay AA, et al. Baricitinib treatment resolves lower-airway macrophage inflammation and neutrophil recruitment in SARS-CoV-2-infected rhesus macaques. *Cell.* 2021;184:460–75.
171. Hu X, Li J, Fu M, Zhao X, Wang W. The JAK/STAT signaling pathway: from bench to clinic. *Signal Transduct Target Ther.* 2021;6:402.
172. Sunzini F, McInnes I, Siebert S. JAK inhibitors and infections risk: focus on herpes zoster. *Ther Adv Musculoskelet Dis.* 2020;12:1759720X20936059.
173. European Medicines Agency. Olumiant: summary of product characteristics. [https://www.ema.europa.eu/en/documents/productinformation/olumiant-epar-product-information\\_en.pdf](https://www.ema.europa.eu/en/documents/productinformation/olumiant-epar-product-information_en.pdf) (accessed Feb 24, 2020).
174. Ytterberg SR, Bhatt DL, Mikuls TR, Koch GG, Fleischmann R, Rivas JL, et al. Cardiovascular and cancer risk with tofacitinib in rheumatoid arthritis. *N Engl J Med.* 2022;386:316–26.
175. Winthrop KL, Cohen SB. Oral surveillance and JAK inhibitor safety: the theory of relativity. *Nat Rev Rheumatol.* 2022;18:301–4.
176. Smolen JC, Genovese MC, Takeuchi T, Hyslop DL, Macias WL, Rooney T, et al. Safety profile of baricitinib for the treatment of rheumatoid arthritis over a median of 3 years of treatment: an updated integrated safety analysis. *Lancet Rheumatol.* 2020;2:E347–57.
177. Richardson PJ, Robinson BW, Smith DP, Stebbing J. The AI-assisted identification and clinical efficacy of baricitinib in the treatment of COVID-19. *Vaccines (Basel).* 2022;10:951.
178. Sweeney DA, Tuyishimire B, Ahuja N, Beigel JH, Beresnev T, Cantos VD, et al. Baricitinib treatment of coronavirus disease 2019 is associated with a reduction in secondary infections. *Open Forum Infect Dis.* 2023;10(5):ofad205.

Ready to submit your research? Choose BMC and benefit from:

- fast, convenient online submission
- thorough peer review by experienced researchers in your field
- rapid publication on acceptance
- support for research data, including large and complex data types
- gold Open Access which fosters wider collaboration and increased citations
- maximum visibility for your research: over 100M website views per year

At BMC, research is always in progress.

Learn more [biomedcentral.com/submissions](https://biomedcentral.com/submissions)

