

System and method for cardiorespiratory sleep stage classification

Citation for published version (APA):

Ferreira dos santos da Fonseca, P. M., Long, X., den Teuling, N. G. P., Haakma, R., & Aarts, R. M. (2017). System and method for cardiorespiratory sleep stage classification. (Patent No. *US20170360308*). https://nl.espacenet.com/publicationDetails/biblio?II=0&ND=3&adjacent=true&locale=nl_NL&FT=D&date=20171221&CC=US&NR=2017360308A1&KC=A1#

Document status and date:

Published: 21/12/2017

Document Version:

Publisher's PDF, also known as Version of Record (includes final page, issue and volume numbers)

Please check the document version of this publication:

- A submitted manuscript is the version of the article upon submission and before peer-review. There can be important differences between the submitted version and the official published version of record. People interested in the research are advised to contact the author for the final version of the publication, or visit the DOI to the publisher's website.
- The final author version and the galley proof are versions of the publication after peer review.
- The final published version features the final layout of the paper including the volume, issue and page numbers.

[Link to publication](#)

General rights

Copyright and moral rights for the publications made accessible in the public portal are retained by the authors and/or other copyright owners and it is a condition of accessing publications that users recognise and abide by the legal requirements associated with these rights.

- Users may download and print one copy of any publication from the public portal for the purpose of private study or research.
- You may not further distribute the material or use it for any profit-making activity or commercial gain
- You may freely distribute the URL identifying the publication in the public portal.

If the publication is distributed under the terms of Article 25fa of the Dutch Copyright Act, indicated by the "Taverne" license above, please follow below link for the End User Agreement:

www.tue.nl/taverne

Take down policy

If you believe that this document breaches copyright please contact us at:

openaccess@tue.nl

providing details and we will investigate your claim.



(19) **United States**

(12) **Patent Application Publication**
FONSECA et al.

(10) **Pub. No.: US 2017/0360308 A1**

(43) **Pub. Date: Dec. 21, 2017**

(54) **SYSTEM AND METHOD FOR
CARDIORESPIRATORY SLEEP STAGE
CLASSIFICATION**

Publication Classification

(71) Applicant: **KONINKLIJKE PHILIPS N.V.**,
EINDHOVEN (NL)

(51) **Int. Cl.**
A61B 5/024 (2006.01)
A61B 5/08 (2006.01)
A61B 5/00 (2006.01)
(52) **U.S. Cl.**
CPC *A61B 5/024* (2013.01); *A61B 5/7264*
(2013.01); *A61B 5/08* (2013.01); *A61B 5/4812*
(2013.01)

(72) Inventors: **Pedro Miguel FONSECA**, Borgerhout
(BE); **Xi LONG**, Eindhoven (NL);
**Nicolaas Gregorius Petrus DEN
TEULING**, Eindhoven (NL); **Reinder
HAAKMA**, Eindhoven (NL); **Ronaldus
Maria AARTS**, Geldrop (NL)

(57) **ABSTRACT**

The present disclosure pertains to a system configured to determine one or more parameters based on cardiorespiratory information from a subject and determine sleep stage classifications based on a discriminative undirected probabilistic graphical model such as Conditional Random Fields using the determined parameters. The system is advantageous because sleep is a structured process in which parameters determined for individual epochs are not independent over time and the system determines the sleep stage classifications based on parameters determined for a current epoch, determined relationships between parameters, sleep stage classifications determined for previous epochs, and/or other information. The system does not assume that determined parameters are discriminative during an entire sleep stage, but maybe indicative of a sleep stage transition alone. In some embodiments, the system comprises one or more sensors, one or more physical computer processors, electronic storage, and a user interface.

(21) Appl. No.: **15/536,680**

(22) PCT Filed: **Dec. 10, 2015**

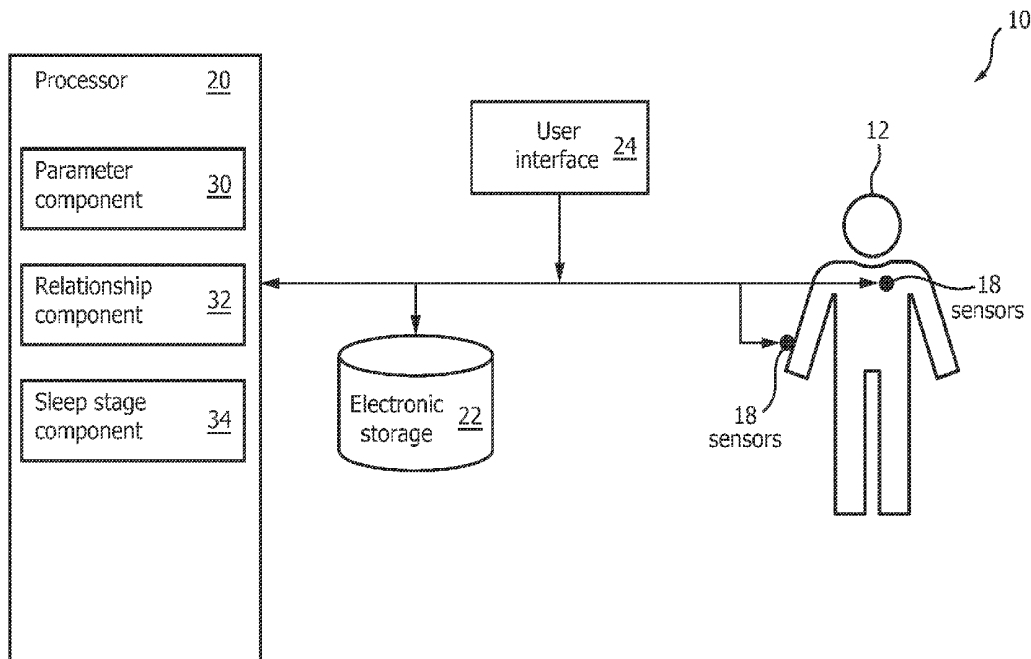
(86) PCT No.: **PCT/IB2015/059505**

§ 371 (c)(1),

(2) Date: **Jun. 16, 2017**

Related U.S. Application Data

(60) Provisional application No. 62/093,430, filed on Dec. 18, 2014.



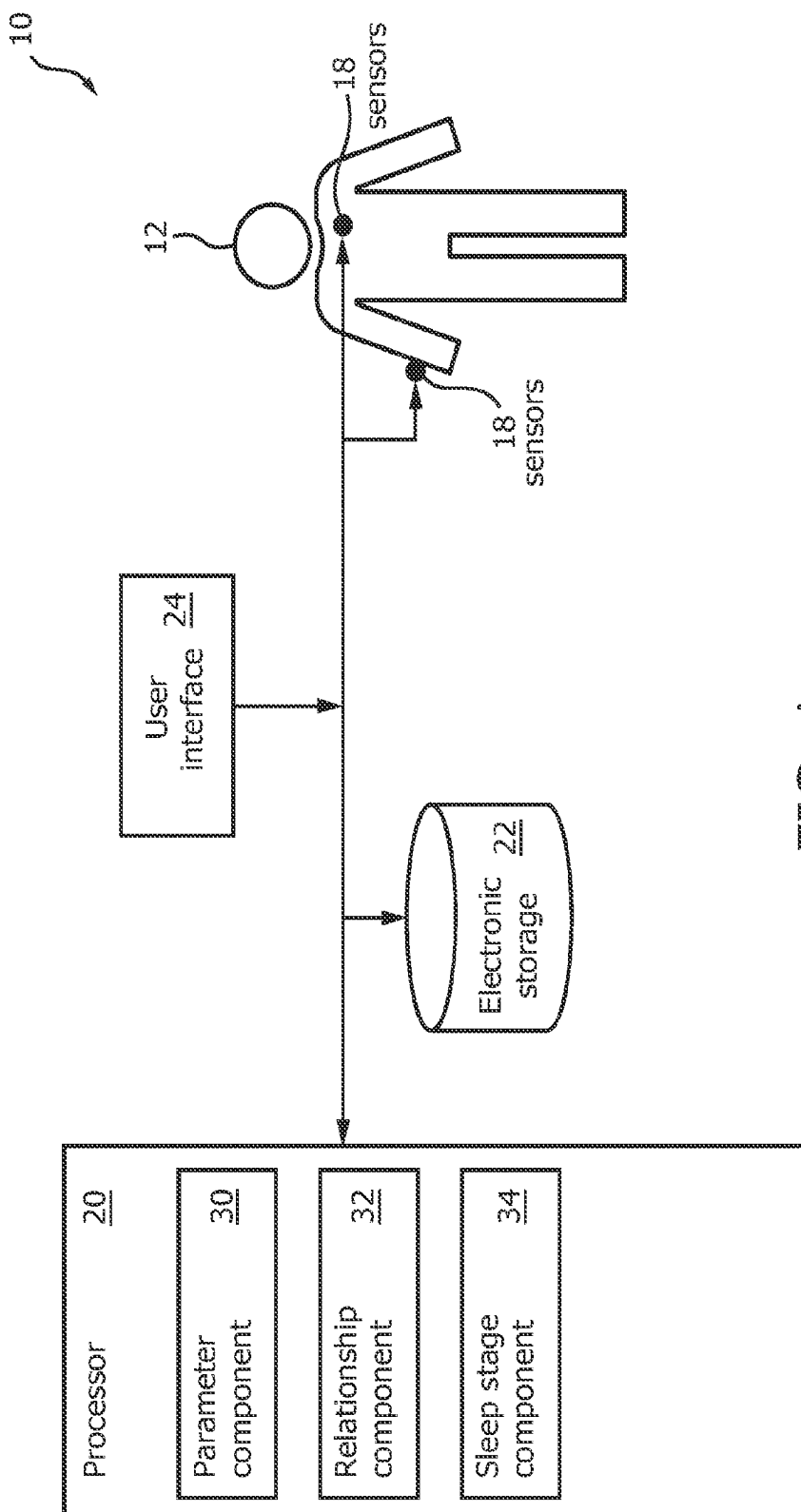


FIG. 1

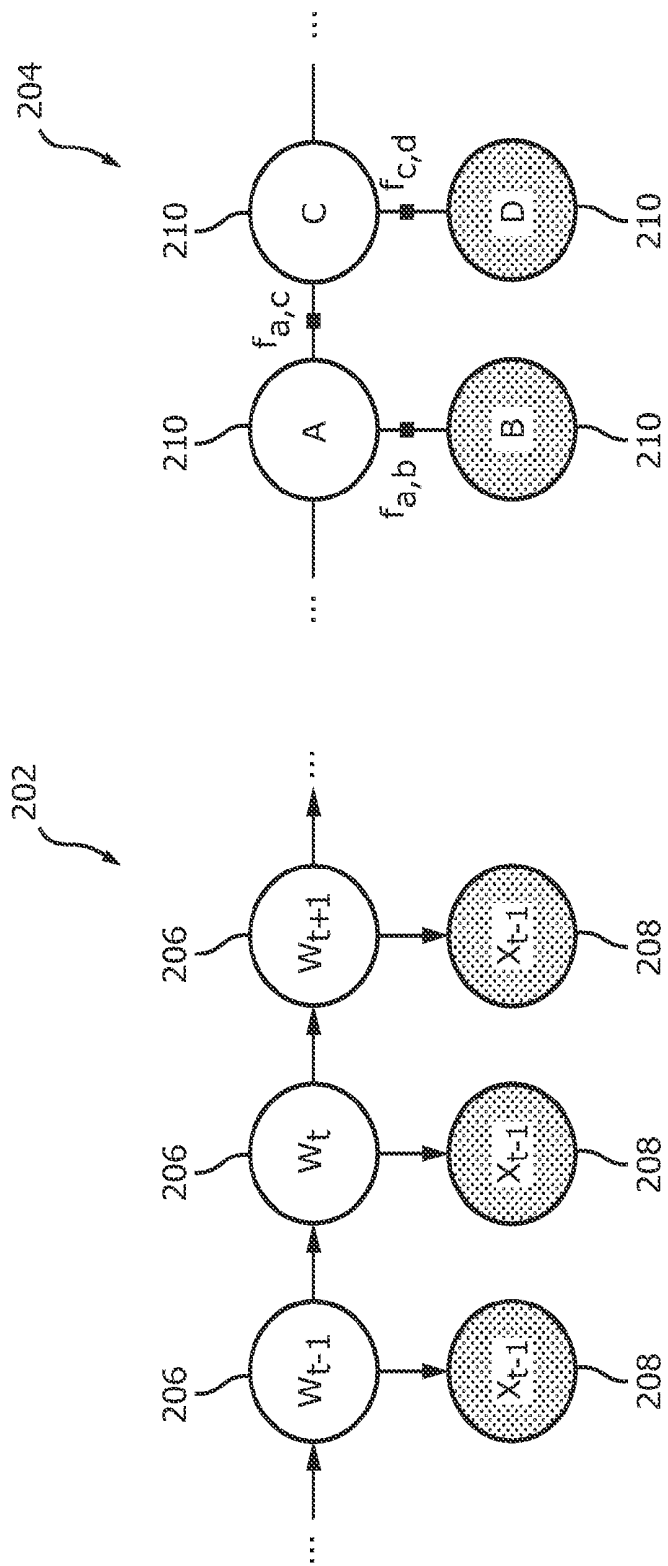


FIG. 2A

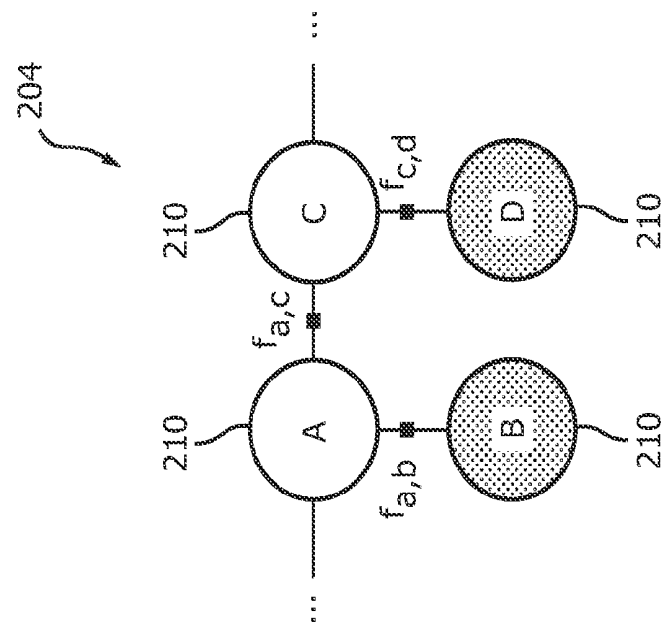


FIG. 2B

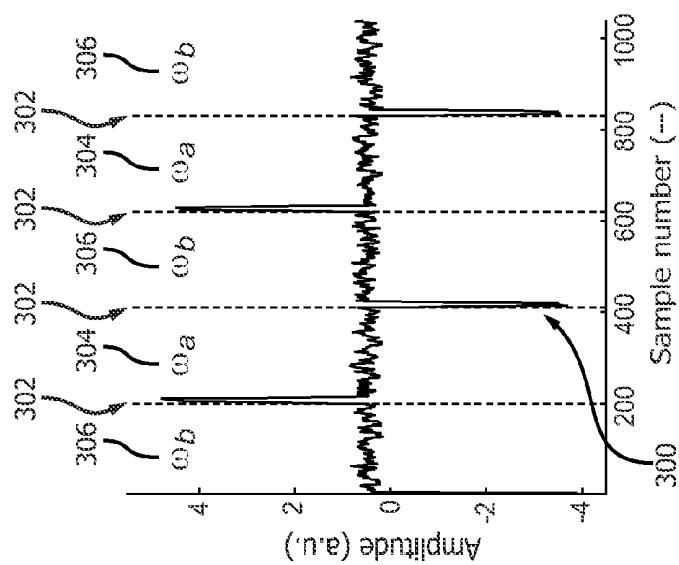


FIG. 3A

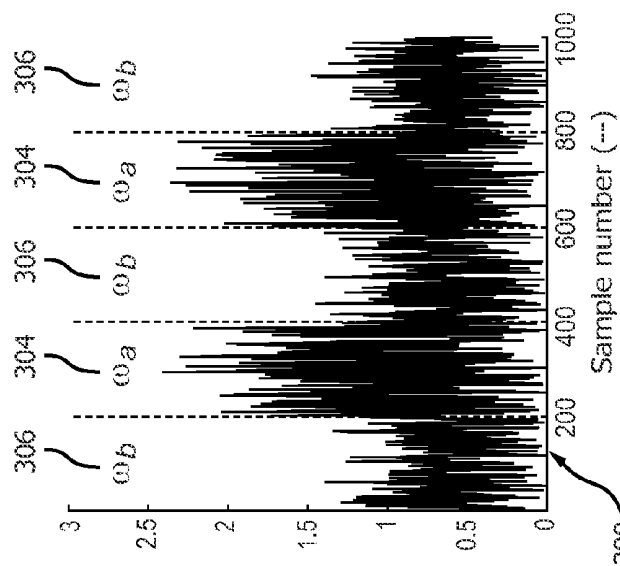


FIG. 3B

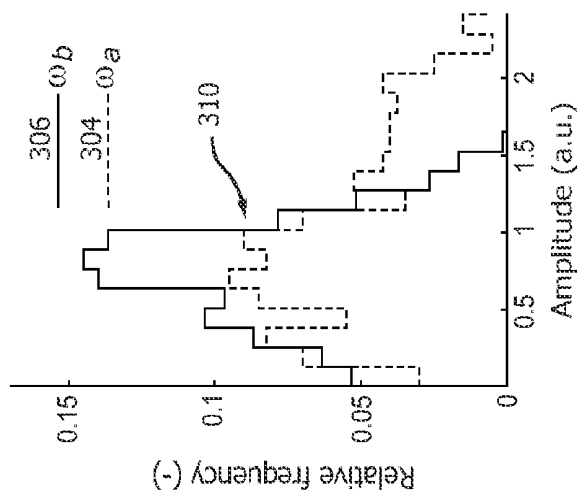


FIG. 3C

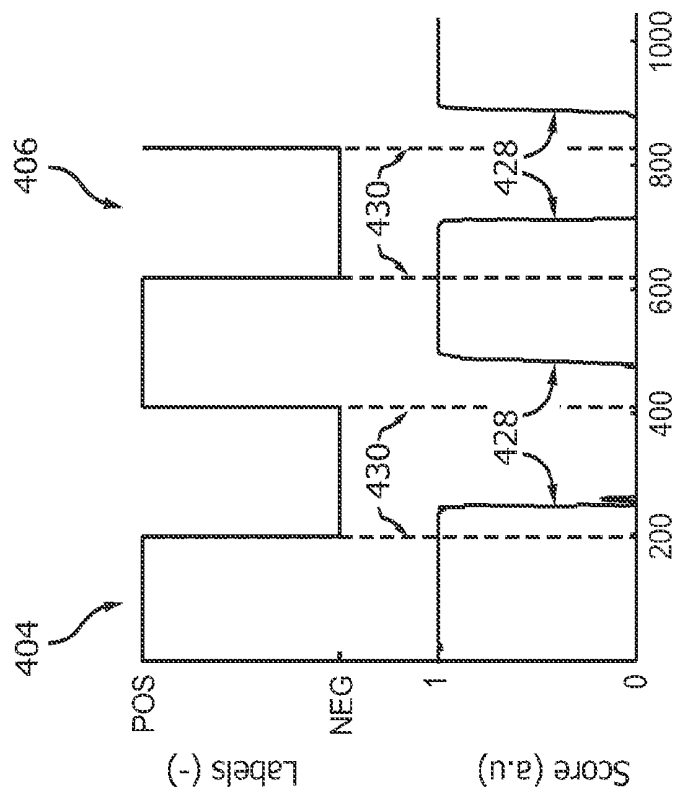


FIG. 4A

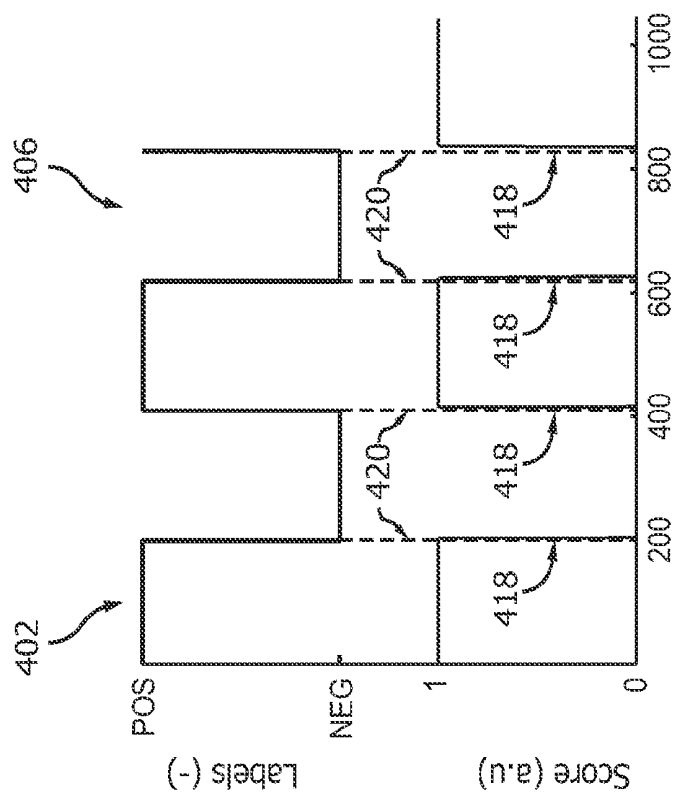
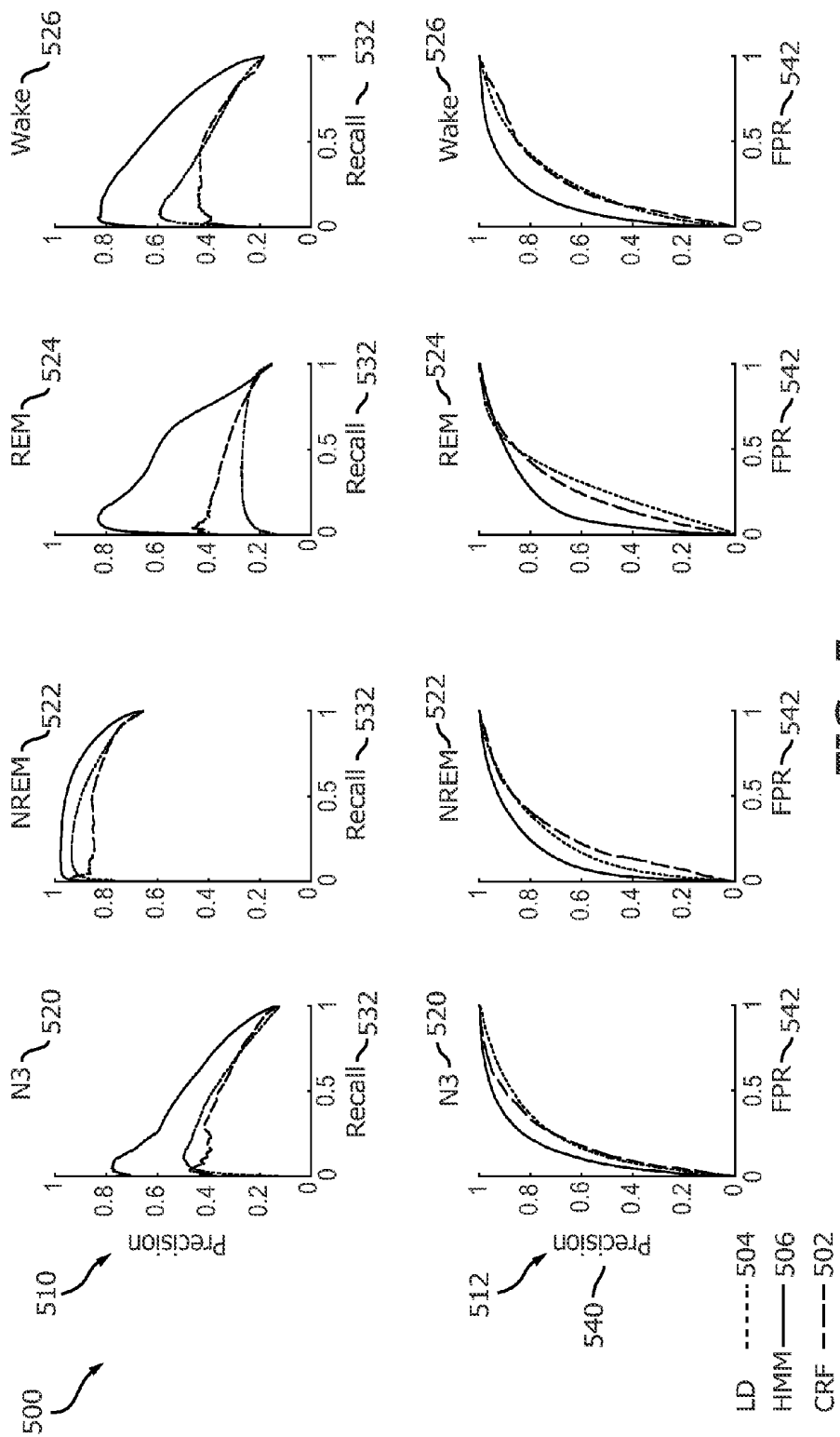


FIG. 4B



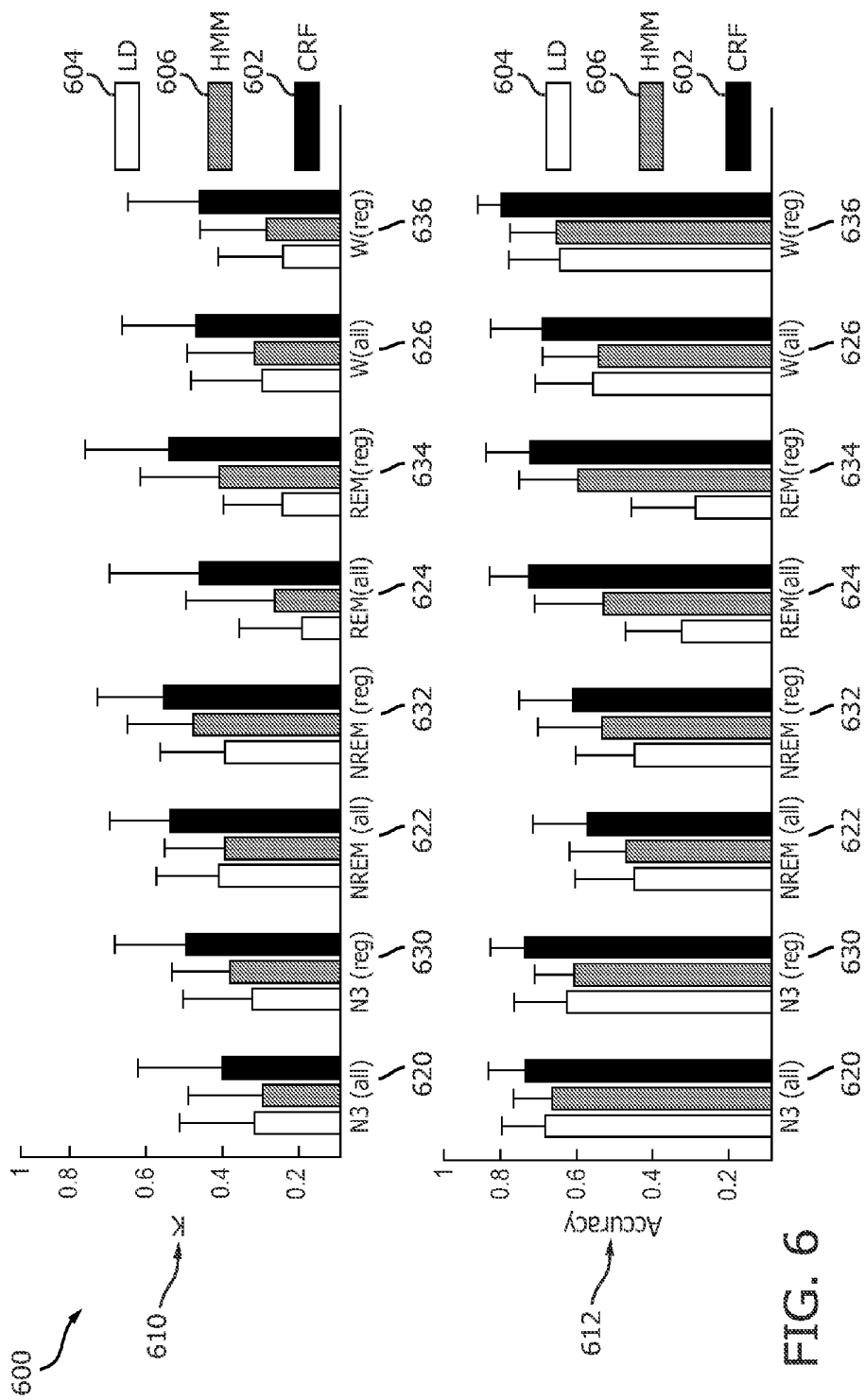


FIG. 6

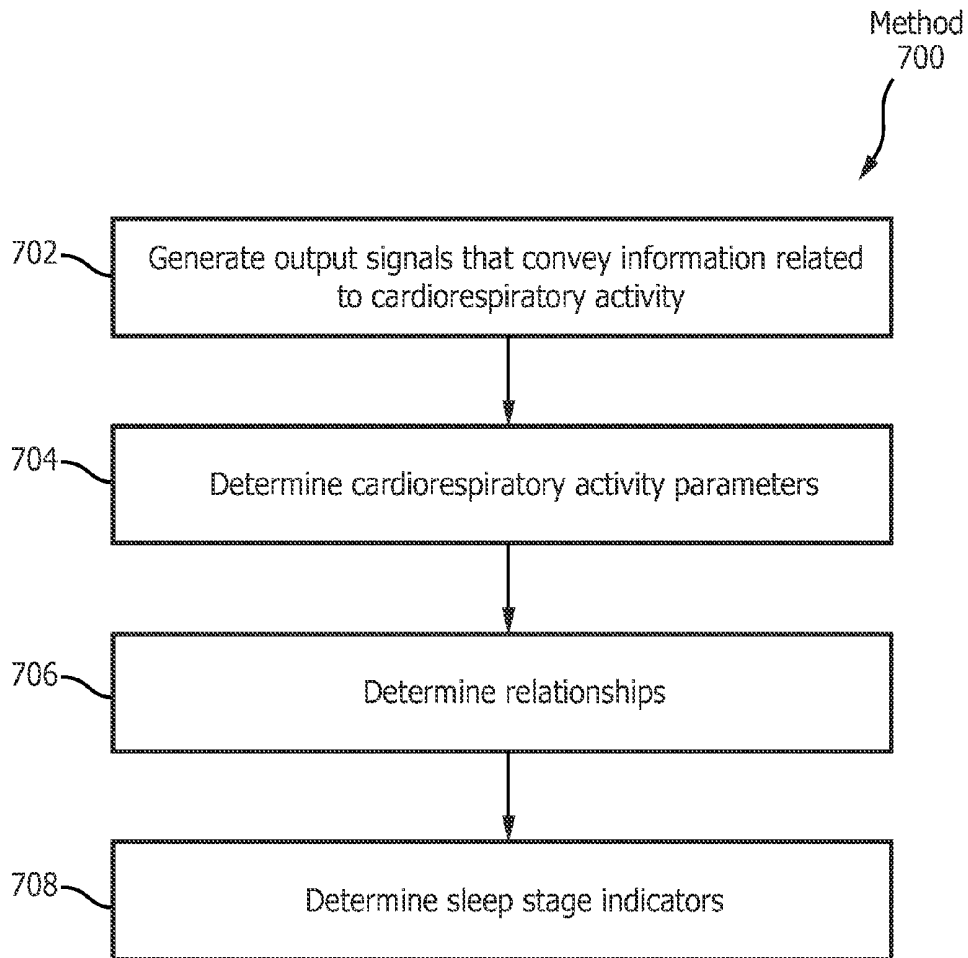


FIG. 7

SYSTEM AND METHOD FOR CARDIORESPIRATORY SLEEP STAGE CLASSIFICATION

BACKGROUND

1. Field

[0001] The present disclosure pertains to a system and method for determining sleep stage indicators in a subject for individual epochs of time during a sleep session.

2. Description of the Related Art

[0002] Assessment of sleep quality based on monitoring sleep and wake phases during bedtime is known. Over-night electroencephalography (EEG) recordings with manually scored hypnograms (done by sleep technicians) for analysis of sleep architecture and occurrence of specific sleep-related problems are known. Manual sleep staging is a time-consuming task that requires the help of a sleep technician. Sensors used during overnight EEG are disruptive of sleep and often require care to apply correctly (e.g., requiring the help of the sleep technician). Typical systems facilitate sleep stage determination for a current epoch of time within a sleep session based on information determined for only that current epoch of time. Typical systems do not take into account information determined for previous epochs when facilitating determination of the sleep stage for the current epoch.

SUMMARY

[0003] Accordingly, one or more aspects of the present disclosure relate to a system configured to determine sleep stage indicators in a subject for individual epochs of time during a sleep session. The system comprises one or more sensors, one or more physical computer processors, and/or other components. The one or more sensors are configured to generate output signals conveying information related to cardiorespiratory activity of the subject. The one or more physical computer processors are configured by computer readable instructions to: determine one or more cardiorespiratory activity parameters of the subject based on the output signals by (a) determining a first cardiorespiratory activity parameter and a second cardiorespiratory activity parameter for a first epoch of time and (b) determining the first cardiorespiratory activity parameter and the second cardiorespiratory activity parameter for a second epoch of time; determine one or more relationships between the one or more cardiorespiratory activity parameters of the subject by determining a relationship between the first cardiorespiratory activity parameter and the second cardiorespiratory activity parameter for multiple individual epochs of time; and determine sleep stage indicators that indicate a sleep stage of the subject for the individual epochs of time based on the one or more determined relationships and the one or more determined parameters. The one or more physical computer processors are configured to determine the sleep stage indicators such that: a first sleep stage indicator for the first epoch of time is determined based on the first cardiorespiratory activity parameter and the second cardiorespiratory activity parameter determined for the first epoch of time and the relationship between the first cardiorespiratory activity parameter and the second cardiorespiratory activity parameter over multiple individual epochs of time; and a

second sleep stage indicator for the second epoch of time is determined based on the first cardiorespiratory activity parameter and the second cardiorespiratory activity parameter determined for the second epoch of time, the relationship between the first cardiorespiratory activity parameter and the second cardiorespiratory activity parameter over multiple individual epochs of time, and the first sleep stage indicator.

[0004] Another aspect of the present disclosure relates to a method for determining sleep stage indicators in a subject for individual epochs of time during a sleep session with a determination system. The determination system comprises one or more sensors, one or more physical computer processors, and/or other components. The method comprises: generating, with the one or more sensors, output signals conveying information related to cardiorespiratory activity of the subject; determining, with the one or more physical computer processors, one or more cardiorespiratory activity parameters of the subject based on the output signals by (a) determining a first cardiorespiratory activity parameter and a second cardiorespiratory activity parameter for a first epoch of time and (b) determining the first cardiorespiratory activity parameter and the second cardiorespiratory activity parameter for a second epoch of time; determining, with the one or more physical computer processors, one or more relationships between the one or more cardiorespiratory activity parameters of the subject by determining a relationship between the first cardiorespiratory activity parameter and the second cardiorespiratory activity parameter for multiple individual epochs of time; and determining, with the one or more physical computer processors, sleep stage indicators that indicate a sleep stage of the subject for the individual epochs of time based on the one or more determined relationships and the one or more determined parameters such that a first sleep stage indicator for the first epoch of time is determined based on the first cardiorespiratory activity parameter and the second cardiorespiratory activity parameter determined for the first epoch of time and the relationship between the first cardiorespiratory activity parameter and the second cardiorespiratory activity parameter over multiple individual epochs of time, and a second sleep stage indicator for the second epoch of time is determined based on the first cardiorespiratory activity parameter and the second cardiorespiratory activity parameter determined for the second epoch of time, the relationship between the first cardiorespiratory activity parameter and the second cardiorespiratory activity parameter over multiple individual epochs of time, and the first sleep stage indicator.

[0005] Still another aspect of the present disclosure relates to a system configured to determine sleep stage indicators in a subject for individual epochs of time during a sleep session. The system comprises means for generating output signals conveying information related to cardiorespiratory activity of the subject; means for determining one or more cardiorespiratory activity parameters of the subject based on the output signals by (a) determining a first cardiorespiratory activity parameter and a second cardiorespiratory activity parameter for a first epoch of time and (b) determining the first cardiorespiratory activity parameter and the second cardiorespiratory activity parameter for a second epoch of time; means for determining one or more relationships between the one or more cardiorespiratory activity parameters of the subject by determining a relationship between the first cardiorespiratory activity parameter and the second

cardiorespiratory activity parameter for multiple individual epochs of time; and means for determining sleep stage indicators that indicate a sleep stage of the subject for the individual epochs of time based on the one or more determined relationships and the one or more determined parameters such that: a first sleep stage indicator for the first epoch of time is determined based on the first cardiorespiratory activity parameter and the second cardiorespiratory activity parameter determined for the first epoch of time and the relationship between the first cardiorespiratory activity parameter and the second cardiorespiratory activity parameter over multiple individual epochs of time; and a second sleep stage indicator for the second epoch of time is determined based on the first cardiorespiratory activity parameter and the second cardiorespiratory activity parameter determined for the second epoch of time, the relationship between the first cardiorespiratory activity parameter and the second cardiorespiratory activity parameter over multiple individual epochs of time, and the first sleep stage indicator.

[0006] These and other objects, features, and characteristics of the present disclosure, as well as the methods of operation and functions of the related elements of structure and the combination of parts and economies of manufacture, will become more apparent upon consideration of the following description and the appended claims with reference to the accompanying drawings, all of which form a part of this specification, wherein like reference numerals designate corresponding parts in the various figures. It is to be expressly understood, however, that the drawings are for the purpose of illustration and description only and are not intended as a definition of the limits of the disclosure.

BRIEF DESCRIPTION OF THE DRAWINGS

[0007] FIG. 1 illustrates a system configured to determine sleep stage indicators in a subject for individual epochs of time during a sleep session.

[0008] FIG. 2A illustrates a first factor graph.

[0009] FIG. 2B illustrates a second factor graph.

[0010] FIG. 3A illustrates an example of a parameter that is discriminative at transitions between sleep stages.

[0011] FIG. 3B illustrates the same parameter that is discriminative of the current sleep stage when using prior stage information.

[0012] FIG. 3C is a histogram of the parameter.

[0013] FIG. 4A illustrates posterior probability scores that indicate whether and/or how well sleep stage determinations made by the system match previously determined sleep stage annotations.

[0014] FIG. 4B illustrates posterior probability scores that indicate whether and/or how well sleep stage determinations made by another system match previously determined sleep stage annotations.

[0015] FIG. 5 illustrates results from experimentation performed using the system.

[0016] FIG. 6 illustrates additional results from experimentation performed using the system.

[0017] FIG. 7 illustrates a method for determining sleep stage indicators in a subject for individual epochs of time during a sleep session.

DETAILED DESCRIPTION OF EXEMPLARY EMBODIMENTS

[0018] As used herein, the singular form of “a”, “an”, and “the” include plural references unless the context clearly dictates otherwise. As used herein, the statement that two or more parts or components are “coupled” shall mean that the parts are joined or operate together either directly or indirectly, i.e., through one or more intermediate parts or components, so long as a link occurs. As used herein, “directly coupled” means that two elements are directly in contact with each other. As used herein, “fixedly coupled” or “fixed” means that two components are coupled so as to move as one while maintaining a constant orientation relative to each other.

[0019] As used herein, the word “unitary” means a component is created as a single piece or unit. That is, a component that includes pieces that are created separately and then coupled together as a unit is not a “unitary” component or body. As employed herein, the statement that two or more parts or components “engage” one another shall mean that the parts exert a force against one another either directly or through one or more intermediate parts or components. As employed herein, the term “number” shall mean one or an integer greater than one (i.e., a plurality).

[0020] Directional phrases used herein, such as, for example and without limitation, top, bottom, left, right, upper, lower, front, back, and derivatives thereof, relate to the orientation of the elements shown in the drawings and are not limiting upon the claims unless expressly recited therein.

[0021] FIG. 1 illustrates a system 10 configured to determine sleep stage indicators in a subject 12 for individual epochs of time during a sleep session. The sleep stage indicators may correspond to and/or be the same as sleep stage classifications. The sleep stage indicators and/or classifications may be associated with rapid eye movement (REM) sleep, non-rapid eye movement (NREM) sleep (e.g., including stage N3 sleep), and/or other sleep in subject 12. System 10 is configured to determine the sleep stage indicators based on cardiorespiratory information (e.g., information related to cardiac activity, respiratory activity, and/or movement) from subject 12 and/or other information. The cardiorespiratory information may be indicative of and/or correspond to cardiorespiratory activity in subject 12. Cardiorespiratory information provides a promising alternative and/or compliment to EEG information because cardiorespiratory information may be measured using unobtrusive methods and/or sensors (described below). System 10 is configured to perform cardiorespiratory information based determination of the sleep stage indicators based on information from unobtrusive sensors that generate output signals that convey information related to cardiac activity, respiratory activity, body movements and/or other characteristics of subject 12.

[0022] System 10 is configured to determine one or more parameters based on the cardiorespiratory information and determine the sleep stage indicators (and/or sleep stage classifications) based on a discriminative undirected probabilistic graphical model such as Conditional Random Fields (e.g., a Linear-Chain Conditional Random Fields (CRF) classifier) using the determined parameters. The one or more parameters may be and/or include one or more features extracted from the information related to cardiorespiratory activity of the subject conveyed by output signals generated

by the unobtrusive sensors. Conditional Random Fields is a generalization of a Hidden Markov Model that conditions the discriminative undirected probabilistic graphical model based on previous sleep (e.g., previous sleep sessions and/or previous sleep during a current sleep session) of subject 12. System 10 is advantageous because sleep is a structured process in which parameters determined for individual epochs are not independent over time and system 10 determines the sleep stage indicators (and/or sleep stage classifications) based on parameters determined for a current epoch, determined relationships between parameters, sleep stage indicators and/or classifications determined for previous epochs, and/or other information. In some embodiments, system 10 determines a sleep stage indicator for a current epoch based on parameters determined for one or more previous epochs (e.g., in addition to the parameters determined for the current epoch, determined relationships between parameters, and sleep stage indicators and/or classifications determined for previous epochs). System 10 does not assume that determined parameters are discriminative during an entire sleep stage, but may be indicative of a sleep stage transition alone. In some embodiments, system 10 comprises one or more sensors 18, one or more physical computer processors 20, electronic storage 22, a user interface 24, and/or other components.

[0023] Sensors 18 are configured to generate output signals conveying information related to cardiorespiratory activity in subject 12. The cardiorespiratory activity of subject 12 may correspond to a sleep stage of subject 12 and/or other characteristics of subject 12. The sleep stage of subject 12 may be associated with rapid eye movement (REM) sleep, non-rapid eye movement (NREM) sleep, and/or other sleep. Sensors 18 may comprise one or more sensors that generate output signals that convey information related to cardiorespiratory activity in subject 12 directly and/or indirectly. For example, one or more sensors 18 may generate an output based on a heart rate of subject 12 (e.g., sensors 18 may be and/or include a heart rate sensor located on the chest of subject 12, and/or be configured as a bracelet on a wrist of subject 12, and/or be located on another limb of subject 12), movement of subject 12 (e.g., sensors 18 may include a bracelet around the wrist and/or ankle of subject 12 with an accelerometer such that sleep may be analyzed using actigraphy signals), respiration of subject 12, and/or other characteristics of subject 12. Although sensors 18 are illustrated at two individual locations on subject 12, this is not intended to be limiting. Sensors 18 may include sensors disposed in a plurality of locations, such as for example, within (or in communication with) user interface 24, coupled (in a removable manner) with clothing of subject 12, worn by subject 12 (e.g., as a headband, wristband, etc.), positioned to point at subject 12 while subject 12 sleeps (e.g., a camera that conveys output signals related to movement of subject 12), and/or in other locations.

[0024] Processor 20 is configured to provide information processing capabilities in system 10. As such, processor 20 may comprise one or more of a digital processor, an analog processor, a digital circuit designed to process information, an analog circuit designed to process information, a state machine, and/or other mechanisms for electronically processing information. Although processor 20 is shown in FIG. 1 as a single entity, this is for illustrative purposes only. In some embodiments, processor 20 may comprise a plurality of processing units. These processing units may be physi-

cally located within the same device, or processor 20 may represent processing functionality of a plurality of devices operating in coordination.

[0025] As shown in FIG. 1, processor 20 is configured to execute one or more computer program components. The one or more computer program components may comprise one or more of a parameter component 30, a relationship component 32, a sleep stage component 34, and/or other components. Processor 20 may be configured to execute components 30, 32, and/or 34 by software; hardware; firmware; some combination of software, hardware, and/or firmware; and/or other mechanisms for configuring processing capabilities on processor 20.

[0026] It should be appreciated that although components 30, 32, and 34 are illustrated in FIG. 1 as being co-located within a single processing unit, in embodiments in which processor 20 comprises multiple processing units, one or more of components 30, 32, and/or 34 may be located remotely from the other components. The description of the functionality provided by the different components 30, 32, and/or 34 described below is for illustrative purposes, and is not intended to be limiting, as any of components 30, 32, and/or 34 may provide more or less functionality than is described. For example, one or more of components 30, 32, and/or 34 may be eliminated, and some or all of its functionality may be provided by other components 30, 32, and/or 34. As another example, processor 20 may be configured to execute one or more additional components that may perform some or all of the functionality attributed below to one of components 30, 32, and/or 34.

[0027] Parameter component 30 is configured to determine one or more cardiorespiratory activity parameters of subject 12. The one or more cardiorespiratory activity parameters of subject 12 are determined based on the output signals from sensors 18, information entered and/or received via user interface 24, information stored in electronic storage 22, and/or other information. In some embodiments, the parameters may be and/or include features extracted from the information conveyed by the output signals from sensors 18. For example, in some embodiments, a parameter may be an extracted feature by itself. In some embodiments, a parameter may be a feature that has been mathematically and/or otherwise transformed in some way (e.g., an average, a feature that has been combined with another feature, etc.) In some embodiments, determining one or more cardiorespiratory activity parameters includes determining (e.g., extracting) one or more parameters (e.g., features) for the whole sleep session, determining one or more parameters for one or more individual epochs of time in the sleep session, and/or determining other parameters. For example, determining one or more cardiorespiratory activity parameters may include determining a first cardiorespiratory activity parameter and a second cardiorespiratory activity parameter for a first epoch of time and determining the first cardiorespiratory activity parameter and the second cardiorespiratory activity parameter again for a second epoch of time (and/or any number of epochs of time).

[0028] In some embodiments, the one or more cardiorespiratory activity parameters (e.g., features) include cardiac activity parameters, respiratory parameters, cardiorespiratory coupling parameters, and/or other parameters. In some embodiments, the cardiac activity parameters include parameters related to and/or determined based on an electrocardiogram of subject 12, and/or other parameters. In

some embodiments, the cardiac activity parameters may include parameters determined based on statistics computed over R-R intervals, such as the number of intervals per epoch (e.g., expressing the average heart rate in that epoch), the *n*th percentile, the standard deviation and/or the range of the interval lengths, and/or other parameters. In some embodiments, the cardiac activity parameters include features derived from the frequency domain of the cardiac activity using power spectral analysis; e.g. mean spectral power, spectral entropy (a measure of irregularity), peak power, and peak frequency (frequency corresponding to the peak power). Other features capture the regularity or complexity of the cardiac activity on shorter or longer time scales.

[0029] In some embodiments, the respiration parameters (e.g., features) may include parameters indicative of respiratory effort in subject 12, a respiration rate of subject 12, a flow rate (e.g., of gas into and out of subject 12 during respiration), a volume (e.g., a tidal volume of inhaled and/or exhaled gas), a pressure (e.g., an inhalation pressure, an exhalation pressure), an amplitude (e.g., of pressure and/or any other parameter of inhaled and/or exhaled gas), and/or other parameters. In some embodiments, the respiration parameters may include a parameter indicative of variation in the respiration rate of subject 12 (and/or variation of any respiration parameter) over several epochs.

[0030] Parameter component 30 is configured such that cardiorespiratory coupling parameters (e.g., features) express a strength of a coupling between the cardiac and the respiratory autonomic systems of subject 12. The strength of this link depends on the sleep stage of subject 12. Cardiorespiratory coupling parameters may describe a phase synchronization between R-R intervals and a respiratory phase (e.g., inhalation/exhalation) of subject 12 during a number of breathing cycles. For example, cardiorespiratory coupling parameters may include a percentage of phase-synchronized periods, a ratio between the number of heart beats to breathing cycles, and/or other parameters.

[0031] In some embodiments, parameter component 30 is configured such that the parameters (e.g., features) may be determined based on a power spectral density (PSD) analysis of the output signals and/or other information. For example, parameter component 30 may be configured to compute the PSD analysis over three different frequency bands: very low frequency (VLF), 0.005-0.04 Hz, low frequency (LF), 0.04-0.15 Hz, and high frequency (HF), 0.15-0.45 Hz, from the modulus and the phase of the pole in the high frequency band, and/or from other information. Parameter component 30 is configured such that one or more of the determined parameters describe the regularity of one or more of the output signals over different time scales. For example, detrended fluctuation analysis (DFA) may be performed by parameter component 30 to identify longer-term correlations in the signal, and sample entropy to quantify the self-similarity of the signal over a given time period.

[0032] Relationship component 32 is configured to determine one or more relationships between the one or more cardiorespiratory activity parameters of subject 12. The determined relationships may be determined for an individual epoch of time, for multiple individual epochs of time (e.g., a single determined relationship holds true over multiple individual epochs of time), and/or other periods of time. Relationships may include dependencies of one parameter on another, dependencies of parameters on each

other, correlations between parameters, dependencies and/or correlations between specific levels of specific parameters, trends in parameters over time, and/or other relationships. For example, as subject 12's respiration rate increases, subject 12's heart rate may increase in a corresponding manner. The strength of this coupling increases as subject 12 enters slow wave sleep and decreases as subject 12 enters REM sleep. Relationship component 32 may determine and/or identify such relationships in subject 12.

[0033] Sleep stage component 34 is configured to determine sleep stage indicators that indicate a sleep stage of subject 12 for the individual epochs of time. In some embodiments, the sleep stage indicators are probability indicators that indicate a probability of subject 12 being in one or more possible sleep stages for an individual epoch of time. In some embodiments, the sleep stage indicators are sleep stage classifications. The sleep stage indicators are determined based on the one or more determined relationships, the one or more determined parameters, the output signals, previously determined sleep stage indicators, and/or other information. The sleep stage indicators are determined based on the one or more determined relationships, the one or more determined parameters, the output signals, and/or other information for a current epoch of time and/or one or more determined relationships, determined sleep state indicators and/or classifications, and/or other information for one or more epochs of time previous to the current epoch. In some embodiments, the sleep stage indicators may be determined based on cardiorespiratory activity parameters determined for previous epochs, but this is not required. Sleep stage component 34 is configured to determine sleep stage indicators based on such (previously determined) information (e.g., relationships, sleep stage indicator, optionally parameters) because sleep is a structured process in which parameters determined for individual epochs are not independent over time (e.g., the probability that subject 12 is in N3 sleep during a current epoch is higher if subject 12 was in stage N3 sleep during the immediately previous epoch and lower if subject 12 was in REM sleep during the previous epoch).

[0034] Continuing with the example above, the sleep stage indicators are determined such that a first sleep stage indicator for the first epoch of time is determined based on the first cardiorespiratory activity parameter and the second cardiorespiratory activity parameter determined for the first epoch of time and the relationship between the first cardiorespiratory activity parameter and the second cardiorespiratory activity parameter over multiple individual epochs of time. In addition, a second sleep stage indicator for the second epoch of time is determined based on the first cardiorespiratory activity parameter and the second cardiorespiratory activity parameter determined for the second epoch of time, the relationship between the first cardiorespiratory activity parameter and the second cardiorespiratory activity parameter over multiple individual epochs of time, and the first sleep stage indicator, for example. In some embodiments, the second sleep stage indicator may be determined based on the first cardiorespiratory activity parameter and the second cardiorespiratory activity parameter determined for the first epoch of time, but this is not required.

[0035] In some embodiments, the sleep stage indicators are determined based on a sleep stage indicator for an immediately previous epoch, the one or more determined

relationships, the one or more determined parameters (e.g., features) for the current epoch, the output signals for the current epoch, and/or other information using (Linear-Chain) Conditional Random Fields (CRF). Conditional Random Fields are discriminative undirected probabilistic models which explore sequence and structure in data to be classified (e.g., output signals from sensors **18**, parameters (features) determined by parameter component **30** that facilitate sleep stage classification, etc.). CRF is a generalization of Hidden Markov Models (HMM) that conditions the model based on the determined parameters (features), the output signals, the relationships, and/or other information. This allows for a more expressive model that can incorporate parameter (feature) dependencies (e.g., relationships determined by relationship component **32**). In HMM and other generative models, the parameters are learned by maximizing a joint probability distribution $P(w,x)$, which in turn requires a distribution of observations, $P(x)$, to be modelled and/or somehow learned from the data (e.g., information conveyed by sensor output signals). Parameters are the values (also called ‘weights’) that define the model (e.g., similar to having an algorithm with a constant that needs to be set). The values are chosen such that the model models the data as good as possible. Observations may refer to the inputs to the model. These inputs are the features described above, derived from the sensor outputs and/or other information. An observation may refer to one or more feature values for a given epoch (e.g., $x=(x_1, x_2, \dots)$). When parameters (features) of an observed variable x are not independent, the joint distribution may be extremely difficult to model, requiring either large amounts of training data, or strong assumptions about the variables to be made. Different features can have different statistical properties/distributions. The model models these features as ‘random variables’; the exact value is not defined, instead its distribution is modelled. Modelling $P(x)$ is difficult because all variable interactions need to be modeled. Linear-Chain Conditional Random Fields avoid this problem by computing the probability $P(y|x)$ of a possible output (e.g., a sleep stage indication of the sleep stage that is most likely, given the observations; internally this is done by computing the probability for all sleep stages and returning the sleep stage with the highest probability) $y=(y_1, y_2, \dots, y_n)$ given an observation $x=(x_1, x_2, \dots, x_n)$, avoiding the explicit modelling of the marginal $P(x)$. By simplifying the modelling problem and not requiring any assumption about the independence of the parameters/features (only about the states), discriminative models make better use of correlated, interdependent parameters (features), which are common in the case of sleep stage detection using cardiorespiratory parameters (features).

[0036] It should be noted that the Linear-Chain CRF described above is just one of the many possible ways such a classifier may be used. The configuration of the CRF may be extended to higher-orders, for example, such that individual sleep stage indicators, y_j , determined for a current epoch of time not only depend on the sleep stage indicator (and/or other information such as parameters, output signals, and/or relationships) for the immediately previous epoch of time, y_{j-1} , but on an arbitrarily large number of previous sleep stage determinations (and/or other information such as parameters, output signals, and/or relationships), y_j , for a corresponding number of epochs, with $j < i - 1$. Additionally and/or alternatively, $P(y_j|x)$ may depend not only on the

observation for the current state x_j , but also on the observations of previous states (x_{j-1}, \dots, x_{j-i}), with $j < i - 1$, effectively letting the estimation of the current state class w_j depend on a sequence of observations throughout time. In that sense, the first-order, single-chain (Linear-Chain) CRF described in this invention can be seen as an embodiment of a more general class of discriminative undirected probabilistic models which can be used for sleep stage classification using cardiorespiratory features.

[0037] FIG. 2A and FIG. 2B illustrate factor graphs **202** and **204**. Parameter learning and inference in HMM is usually performed by means of factor graph **202** shown in FIG. 2A, which is a type of model that describes a probability distribution of a network using non-negative factors to express interaction between random variables. In FIG. 2A, individual states w_t **206** depend on the previous individual state and observed feature vectors x_t **208** depend on the individual states **206**. FIG. 2B illustrates an equivalent factor graph for a subset of nodes **210**. One could use FIG. 2B as a basis for the CRF model and already achieve a better performance over HMM. As a possible addition to this graph, the system is extended to include a link from node A to node D, which is how transitional features are modelled, further improving performance over HMM.

[0038] In some embodiments, the sleep stage indicators indicate transitions between sleep stages in the subject. System **10** (FIG. 1) is able to indicate transitions between sleep stages because system **10** determines the sleep stage indicators (and/or sleep stage classifications) based on parameters determined for a current epoch, parameters determined for one or more previous epochs, determined relationships between parameters, sleep stage indicators and/or classifications determined for previous epochs, and/or other information. System **10** does not assume that determined parameters are discriminative during an entire sleep stage. FIG. 3A and 3B illustrate an example of a parameter (e.g., a feature) **300** that is discriminative at the transitions **302** between sleep states ω_a **304** and ω_b **306**. FIG. 3C is a histogram **310** of parameter **300**. FIG. 3A illustrates an example of a feature that is discriminative at the transitions. FIG. 3B shows a different case (about why using past-state information can be important), where the feature is indicative of the current state, but only after observing multiple values. The issue with a feature like this is that there is a large overlap between the likely values for both states (as seen in the histogram of FIG. 3C).

[0039] FIG. 4A illustrates posterior probability scores **402** that indicate whether and/or how well sleep stage (e.g., class) determinations made by system **10** (using the Linear-Chain CRF classifier) match previously determined sleep stage (class) annotations **406**. FIG. 4B illustrates posterior probability scores **404** that indicate whether and/or how well sleep stage (e.g., class) determinations made by another system (not using the CRF classifier) match previously determined sleep stage (class) annotations. In FIG. 4A and 4B, an annotation of 1 indicates class ω_a and an annotation of 0 indicates class ω_b . A score closer to 1 indicates a higher posterior probability for class ω_a . As illustrated in FIG. 4A (using CRF) the score obtained in the case of a parameter (e.g., a feature) indicative of sleep stage transitions matches almost perfectly with the class annotations (transitions **418** from 0 to 1 coincide with dotted lines **420**). As illustrated in FIG. 4B, (not using CRF) the score obtained in the case of a parameter (e.g., a feature) indicative of sleep stage tran-

sitions does not match with the class annotations (transitions **428** from 0 to 1 do not coincide with dotted lines **430**) but instead converge to the correct sleep stage (class) as more instances of unambiguous feature values are found.

[0040] FIG. 5 and FIG. 6 illustrate results **500**, **600** from experimentation performed using system **10** (not shown), the Conditional Random Fields classifier **502**, **602**, relative to other sleep stage classification systems, linear discriminants (LD) **504**, **604**, and Hidden Markov Models (HMM) **506**, **606**. The experimental dataset comprises full polysomnographic (PSG) data of 164 subjects obtained from three different databases. The first database, with two-night recordings of 149 subjects (298 recordings) was part of the database created during the EU Siesta project between 1997 and 2000 in seven different sleep laboratories. The database was restricted to subjects considered healthy (e.g., no shift workers, no depression, usual bedtime before midnight), with a Pittsburgh Sleep Quality Index 8 of at most 5. Sleep stages were scored by trained sleep technicians in five classes ('Wake', 'REM', 'S1', 'S2', 'S3', 'S4') according to the Rechtschaffen and Kales (R&K) guidelines. The second database, comprising single-night recordings of six subjects, was collected at the Philips Experience Lab of the High Tech Campus, Eindhoven, The Netherlands, during 2010 (Vita-port 3 PSG, TEMEC). The third database, comprising nine subjects, was collected at the Sleep Health Center, Boston, USA, during 2009 (Alice 5 PSG, Philips Respironics). Sleep stages for subjects in the second and third database were scored by trained sleep technicians in four classes ('Wake', 'REM', 'N1', 'N2', 'N3') according to the AASM guidelines. Although all subjects in the three databases were considered healthy, it is reasonable to expect a "first night effect". Since this is likely to have an impact in the performance of sleep stage classifiers, two separate sets were created: the first comprises all **313** recordings from the three datasets (set "all"), and the second set comprises only recordings which have a minimum percentage of each sleep stage, representative of expected regular adult sleep (at least 5% of deep sleep, 15% of REM sleep, and a sleep efficiency of at least 75%, and a minimum of 7 hours in bed) (set "regular"). This resulted in a total of 144 recordings. In order to compare the performance of the three classifiers, four detection tasks were considered: deep sleep, NREM, REM, and wake. For each of these tasks a 10-fold cross-validation scheme was used. To allow a paired comparison, the same folds were used to validate each classifier. In order to compare the classification performance of each classifier, the scores obtained for each test subject in each iteration of the cross-validation procedure were collected and aggregated (pooled). The Precision-Recall (PR) curve and the Receiver Operating Characteristic (or ROC, true positive rate (TPR) versus false positive rate (FPR)) were computed for a varying threshold on the scores output by each classifier. The threshold leading to the maximum pooled Cohen's kappa coefficient of agreement was then computed. Based on this threshold, the kappa coefficient of each subject was computed. Note that since this threshold was selected based on the pooled kappa, it will not correspond to the maximum kappa coefficient for each subject. Significance was tested with a one-tailed Wilcoxon signed-rank test for each evaluation metric.

[0041] FIG. 5 illustrates a comparison of the pooled Precision **530**—Recall **532** curve **510** and ROC **512** (TPR **540** versus FPR **542**) obtained with each classifier **502**, **504**, **506**,

for each detection task N3 **520**, NREM **522**, REM **524**, Wake **526** in the "all" dataset. In all detection tasks the CRF **502** classifier outperforms the other classifiers over the entire solution space.

[0042] FIG. 6 illustrates a comparison of the average kappa coefficient **610** and accuracy **612** obtained with each classifier **602**, **604**, **606** for the different classification tasks N3 (all) **620**, N3 (reg) **630**, NREM (all) **622**, NREM (reg) **632**, REM (all) **624**, REM (reg) **634**, Wake (all) **626**, Wake (reg) **636** in both datasets. The performance of the CRF **602** classifier is significantly higher than both the HMM **606** and the LD **604** classifiers in all tasks **620**, **622**, **624**, **626**, **630**, **632**, **634**, **636**. The performance in the "regular" (reg) dataset is also higher than in the "all" (all) dataset, reflecting the more regular sleep structure of those subjects.

[0043] Returning to FIG. 1, electronic storage **22** comprises electronic storage media that electronically stores information. The electronic storage media of electronic storage **22** may comprise one or both of system storage that is provided integrally (i.e., substantially non-removable) with system **10** and/or removable storage that is removably connectable to system **10** via, for example, a port (e.g., a USB port, a firewire port, etc.) or a drive (e.g., a disk drive, etc.). Electronic storage **22** may comprise one or more of optically readable storage media (e.g., optical disks, etc.), magnetically readable storage media (e.g., magnetic tape, magnetic hard drive, floppy drive, etc.), electrical charge-based storage media (e.g., EPROM, RAM, etc.), solid-state storage media (e.g., flash drive, etc.), and/or other electronically readable storage media. Electronic storage **22** may store software algorithms (e.g., information related to CRF), information determined by processor **20**, information received via user interface **24** and/or external computing systems, and/or other information that enables system **10** to function properly. Electronic storage **22** may be (in whole or in part) a separate component within system **10**, or electronic storage **22** may be provided (in whole or in part) integrally with one or more other components of system **10** (e.g., processor **20**).

[0044] User interface **24** is configured to provide an interface between system **10** and subject **12**, and/or other users through which subject **12** and/or other users may provide information to and receive information from system **10**. This enables data, cues, results, and/or instructions and any other communicable items, collectively referred to as "information," to be communicated between a user (e.g., subject **12**) and one or more of sensors **18**, processor **20**, and/or other components of system **10**. Examples of interface devices suitable for inclusion in user interface **24** comprise a keypad, buttons, switches, a keyboard, knobs, levers, a display screen, a touch screen, speakers, a microphone, an indicator light, an audible alarm, a printer, a tactile feedback device, and/or other interface devices. In some embodiments, user interface **24** comprises a plurality of separate interfaces. In some embodiments, user interface **24** comprises at least one interface that is provided integrally with processor **20** and/or other components of system **10**.

[0045] It is to be understood that other communication techniques, either hard-wired or wireless, are also contemplated by the present disclosure as user interface **24**. For example, the present disclosure contemplates that user interface **24** may be integrated with a removable storage interface provided by electronic storage **22**. In this example, information may be loaded into system **10** from removable

storage (e.g., a smart card, a flash drive, a removable disk, etc.) that enables the user(s) to customize the implementation of system 10. Other exemplary input devices and techniques adapted for use with system 10 as user interface 24 comprise, but are not limited to, an RS-232 port, RF link, an IR link, modem (telephone, cable or other). In short, any technique for communicating information with system 10 is contemplated by the present disclosure as user interface 24.

[0046] FIG. 7 illustrates a method 700 for determining sleep stage indicators in a subject for individual epochs of time during a sleep session with a determination system. The determination system comprises one or more sensors, one or more physical computer processors, and/or other components. The one or more physical computer processors are configured to execute computer program components. The computer program components comprise a parameter component, a relationship component, a sleep stage component, and/or other components. The operations of method 700 presented below are intended to be illustrative. In some embodiments, method 700 may be accomplished with one or more additional operations not described, and/or without one or more of the operations discussed. Additionally, the order in which the operations of method 700 are illustrated in FIG. 7 and described below is not intended to be limiting.

[0047] In some embodiments, method 700 may be implemented in one or more processing devices (e.g., a digital processor, an analog processor, a digital circuit designed to process information, an analog circuit designed to process information, a state machine, and/or other mechanisms for electronically processing information). The one or more processing devices may include one or more devices executing some or all of the operations of method 700 in response to instructions stored electronically on an electronic storage medium. The one or more processing devices may include one or more devices configured through hardware, firmware, and/or software to be specifically designed for execution of one or more of the operations of method 700.

[0048] At an operation 702, output signals conveying information related to cardiorespiratory activity of the subject are generated. In some embodiments, generating output signals conveying information related to cardiorespiratory activity of the subject includes generating information related to cardiac activity of the subject, respiratory activity of the subject, and/or other physiological activity of the subject. In some embodiments, operation 702 is performed by one or more sensors the same as or similar to sensors 18 (shown in FIG. 1 and described herein).

[0049] At an operation 704, one or more cardiorespiratory activity parameters of the subject are determined. The one or more cardiorespiratory activity parameters of the subject are determined based on the output signals and/or other information. In some embodiments, for example, determining one or more cardiorespiratory activity parameters includes determining a first cardiorespiratory activity parameter and a second cardiorespiratory activity parameter for a first epoch of time and determining the first cardiorespiratory activity parameter and the second cardiorespiratory activity parameter for a second epoch of time. In some embodiments, the one or more cardiorespiratory activity parameters include one or more of a cardiac activity parameter, a respiratory parameter, a cardiorespiratory coupling parameter, and/or other parameters. In some embodiments, the parameters are and/or include features extracted from the information related to cardiorespiratory activity of the sub-

ject in the output signals generated by the sensors. In some embodiments, operation 704 is performed by a processor component the same as or similar to parameter component 30 (shown in FIG. 1 and described herein).

[0050] At an operation 706, one or more relationships between the one or more cardiorespiratory activity parameters of the subject are determined. Determining one or more relationships includes determining a relationship between the first cardiorespiratory activity parameter and the second cardiorespiratory activity parameter (and/or features), for example. The determined relationships may be determined for multiple individual epochs of time (e.g., a single determined relationship holds true over multiple individual epochs of time). In some embodiments, operation 706 is performed by a processor component the same as or similar to relationship component 32 (shown in FIG. 1 and described herein).

[0051] At an operation 708, sleep stage indicators that indicate a sleep stage of the subject for the individual epochs of time are determined. The sleep stage indicators are determined based on the one or more determined relationships, the one or more determined parameters, previously determined sleep stage indicators, and/or other information. Continuing with the example above, the sleep stage indicators are determined such that a first sleep stage indicator for the first epoch of time is determined based on the first cardiorespiratory activity parameter and the second cardiorespiratory activity parameter determined for the first epoch of time and the relationship between the first cardiorespiratory activity parameter and the second cardiorespiratory activity parameter over multiple individual epochs of time. In addition, a second sleep stage indicator for the second epoch of time is determined based on the first cardiorespiratory activity parameter and the second cardiorespiratory activity parameter determined for the second epoch of time, the relationship between the first cardiorespiratory activity parameter and the second cardiorespiratory activity parameter over multiple individual epochs of time, and the first sleep stage indicator, for example. In some embodiments, the second sleep stage indicator is determined based on the first cardiorespiratory activity parameter and the second cardiorespiratory activity parameter determined for the first epoch of time, but this is optional. In some embodiments, the sleep stage indicators are probability indicators that indicate a probability of the subject being in one or more possible sleep stages for an individual epoch of time. In some embodiments, the sleep stage indicators are determined based on one or more previously determined sleep stage indicators, the one or more determined relationships, and the one or more determined parameters using conditional random fields. In some embodiments, the sleep stage indicators indicate transitions between sleep stages in the subject. In some embodiments, operation 708 is performed by a processor component the same as or similar to sleep stage component 34 (shown in FIG. 1 and described herein).

[0052] In the claims, any reference signs placed between parentheses shall not be construed as limiting the claim. The word “comprising” or “including” does not exclude the presence of elements or steps other than those listed in a claim. In a device claim enumerating several means, several of these means may be embodied by one and the same item of hardware. The word “a” or “an” preceding an element does not exclude the presence of a plurality of such elements. In any device claim enumerating several means,

several of these means may be embodied by one and the same item of hardware. The mere fact that certain elements are recited in mutually different dependent claims does not indicate that these elements cannot be used in combination.

[0053] Although the description provided above provides detail for the purpose of illustration based on what is currently considered to be the most practical and preferred embodiments, it is to be understood that such detail is solely for that purpose and that the disclosure is not limited to the expressly disclosed embodiments, but, on the contrary, is intended to cover modifications and equivalent arrangements that are within the spirit and scope of the appended claims. For example, it is to be understood that the present disclosure contemplates that, to the extent possible, one or more features of any embodiment can be combined with one or more features of any other embodiment.

1. A system configured to determine sleep stage indicators in a subject for individual epochs of time during a sleep session, the system comprising: one or more sensors configured to generate output signals conveying information related to cardiorespiratory activity of the subject, the cardiorespiratory activity including cardiac activity and respiratory activity; and

one or more physical computer processors configured by computer readable instructions to:

determine one or more cardiorespiratory activity parameters of the subject based on the output signals the one or more cardiorespiratory activity parameters including cardiorespiratory coupling parameters, wherein the cardiorespiratory coupling parameters indicate a strength of a coupling between cardiac and respiratory autonomic systems of the subject, and wherein said determining the one or more cardiorespiratory activity parameters comprises (a) determining a first cardiorespiratory activity parameter and a second cardiorespiratory activity parameter for a first epoch of time, and (b) determining the first cardiorespiratory activity parameter and the second cardiorespiratory activity parameter for a second epoch of time;

determine one or more relationships between the one or more cardiorespiratory activity parameters of the subject, the one or more relationships including relationships between the cardiorespiratory coupling parameters, wherein said determining the one or more relationships comprises determining a relationship between the first cardiorespiratory activity parameter and the second cardiorespiratory activity parameter for multiple individual epochs of time; and

determine sleep stage indicators that indicate a sleep stage of the subject for the individual epochs of time based on the one or more determined relationships and the one or more determined parameters such that:

a first sleep stage indicator for the first epoch of time is determined based on the first cardiorespiratory activity parameter and the second cardiorespiratory activity parameter determined for the first epoch of time and the relationship between the first cardiorespiratory activity parameter and the second cardiorespiratory activity parameter over multiple individual epochs of time; and a second sleep stage indicator for the second epoch of time is determined based on the first cardiorespiratory activity parameter and the second cardiorespiratory activity parameter determined for the second epoch of time, the relationship between the first

cardiorespiratory activity parameter and the second cardiorespiratory activity parameter over multiple individual epochs of time, and the first sleep stage indicator.

2. The system of claim 1, wherein the one or more physical computer processors are configured such that the sleep stage indicators are probability indicators that indicate a probability of the subject being in one or more possible sleep stages for an individual epoch of time.

3. The system of claim 1, wherein the one or more physical computer processors are configured determine the sleep stage indicators using conditional random fields.

4. The system of claim 1, wherein the one or more physical computer processors are configured such that the sleep stage indicators indicate transitions between sleep stages in the subject.

5. (canceled)

6. A method for determining sleep stage indicators in a subject for individual epochs of time during a sleep session with a determination system, the system comprising one or more sensors and one or more physical computer processors, the method comprising:

generating, with the one or more sensors, output signals conveying information related to cardiorespiratory activity of the subject, the cardiorespiratory activity including cardiac activity and respiratory activity;

determining, with the one or more physical computer processors, one or more cardiorespiratory activity parameters of the subject based on the output signals, the one or more cardiorespiratory activity parameters including cardiorespiratory coupling parameters, wherein the cardiorespiratory coupling parameters indicate a strength of a coupling between cardiac and respiratory autonomic systems of the subject, and wherein said determining the one or more cardiorespiratory activity parameters comprises (a) determining a first cardiorespiratory activity parameter and a second cardiorespiratory activity parameter for a first epoch of time and (b) determining the first cardiorespiratory activity parameter and the second cardiorespiratory activity parameter for a second epoch of time;

determining, with the one or more physical computer processors, one or more relationships between the one or more cardiorespiratory activity parameters of the subject, the one or more relationships including relationships between the cardiorespiratory coupling parameters wherein said determining the one or more relationships comprises determining a relationship between the first cardiorespiratory activity parameter and the second cardiorespiratory activity parameter for multiple individual epochs of time; and

determining, with the one or more physical computer processors, sleep stage indicators that indicate a sleep stage of the subject for the individual epochs of time based on the one or more determined relationships and the one or more determined parameters such that:

a first sleep stage indicator for the first epoch of time is determined based on the first cardiorespiratory activity parameter and the second cardiorespiratory activity parameter determined for the first epoch of time and the relationship between the first cardiorespiratory activity parameter and the second cardiorespiratory activity parameter over multiple individual epochs of time; and

a second sleep stage indicator for the second epoch of time is determined based on the first cardiorespiratory activity

parameter and the second cardiorespiratory activity parameter determined for the second epoch of time, the relationship between the first cardiorespiratory activity parameter and the second cardiorespiratory activity parameter over multiple individual epochs of time, and the first sleep stage indicator.

7. The method of claim 6, wherein the sleep stage indicators are probability indicators that indicate a probability of the subject being in one or more possible sleep stages for an individual epoch of time.

8. The method of claim 6, wherein the sleep stage indicators are determined using conditional random fields.

9. The method of claim 6, wherein the sleep stage indicators indicate transitions between sleep stages in the subject.

10. (canceled)

11. A system configured to determine sleep stage indicators in a subject for individual epochs of time during a sleep session, the system comprising: means for generating output signals conveying information related to cardiorespiratory activity of the subject the cardiorespiratory activity including cardiac activity and respiratory activity;

means for determining one or more cardiorespiratory activity parameters of the subject based on the output signals, the one or more cardiorespiratory activity parameters including cardiorespiratory coupling parameters, wherein the cardiorespiratory coupling parameters indicate a strength of a coupling between cardiac and respiratory autonomic systems of the subject, and wherein said determining the one or more cardiorespiratory activity parameters comprises (a) determining a first cardiorespiratory activity parameter and a second cardiorespiratory activity parameter for a first epoch of time and (b) determining the first cardiorespiratory activity parameter and the second cardiorespiratory activity parameter for a second epoch of time;

means for determining one or more relationships between the one or more cardiorespiratory activity parameters of the

subject, the one or more relationships including relationships between the cardiorespiratory coupling parameters, wherein said determining the one or more relationships comprises determining a relationship between the first cardiorespiratory activity parameter and the second cardiorespiratory activity parameter for multiple individual epochs of time; and

means for determining sleep stage indicators that indicate a sleep stage of the subject for the individual epochs of time based on the one or more determined relationships and the one or more determined parameters such that:

a first sleep stage indicator for the first epoch of time is determined based on the first cardiorespiratory activity parameter and the second cardiorespiratory activity parameter determined for the first epoch of time and the relationship between the first cardiorespiratory activity parameter and the second cardiorespiratory activity parameter over multiple individual epochs of time; and

a second sleep stage indicator for the second epoch of time is determined based on the first cardiorespiratory activity parameter and the second cardiorespiratory activity parameter determined for the second epoch of time, the relationship between the first cardiorespiratory activity parameter and the second cardiorespiratory activity parameter over multiple individual epochs of time, and the first sleep stage indicator.

12. The system of claim 11, wherein the sleep stage indicators are probability indicators that indicate a probability of the subject being in one or more possible sleep stages for an individual epoch of time.

13. The system of claim 11, wherein the sleep stage indicators are determined using conditional random fields.

14. The system of claim 11, wherein the sleep stage indicators indicate transitions between sleep stages in the subject.

15. (canceled)

* * * * *