

FALC-project : draagblok ontwerp : het ontwerp van een draagblok, geschikt voor de produktfamilie ringvormsteunen, te gebruiken in een flexibele assemblage- en lascel

Citation for published version (APA):

Vosters, P. M. H. (1988). *FALC-project : draagblok ontwerp : het ontwerp van een draagblok, geschikt voor de produktfamilie ringvormsteunen, te gebruiken in een flexibele assemblage- en lascel.* (TH Eindhoven. Afd. Werktuigbouwkunde, Vakgroep Produktietechnologie : WPB; Vol. WPA0543). Technische Universiteit Eindhoven.

Document status and date:

Gepubliceerd: 01/01/1988

Document Version:

Uitgevers PDF, ook bekend als Version of Record

Please check the document version of this publication:

- A submitted manuscript is the version of the article upon submission and before peer-review. There can be important differences between the submitted version and the official published version of record. People interested in the research are advised to contact the author for the final version of the publication, or visit the DOI to the publisher's website.
- The final author version and the galley proof are versions of the publication after peer review.
- The final published version features the final layout of the paper including the volume, issue and page numbers.

[Link to publication](#)

General rights

Copyright and moral rights for the publications made accessible in the public portal are retained by the authors and/or other copyright owners and it is a condition of accessing publications that users recognise and abide by the legal requirements associated with these rights.

- Users may download and print one copy of any publication from the public portal for the purpose of private study or research.
- You may not further distribute the material or use it for any profit-making activity or commercial gain
- You may freely distribute the URL identifying the publication in the public portal.

If the publication is distributed under the terms of Article 25fa of the Dutch Copyright Act, indicated by the "Taverne" license above, please follow below link for the End User Agreement:

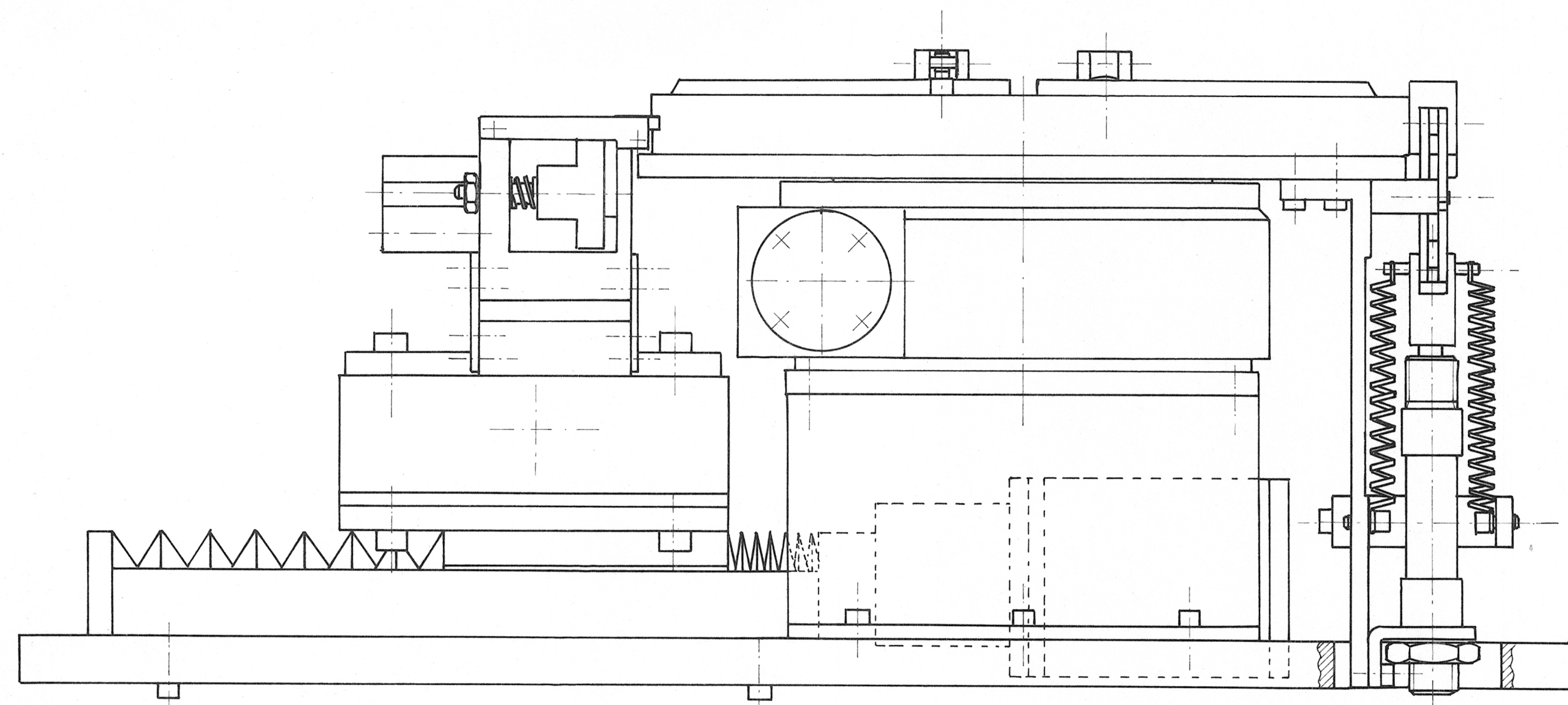
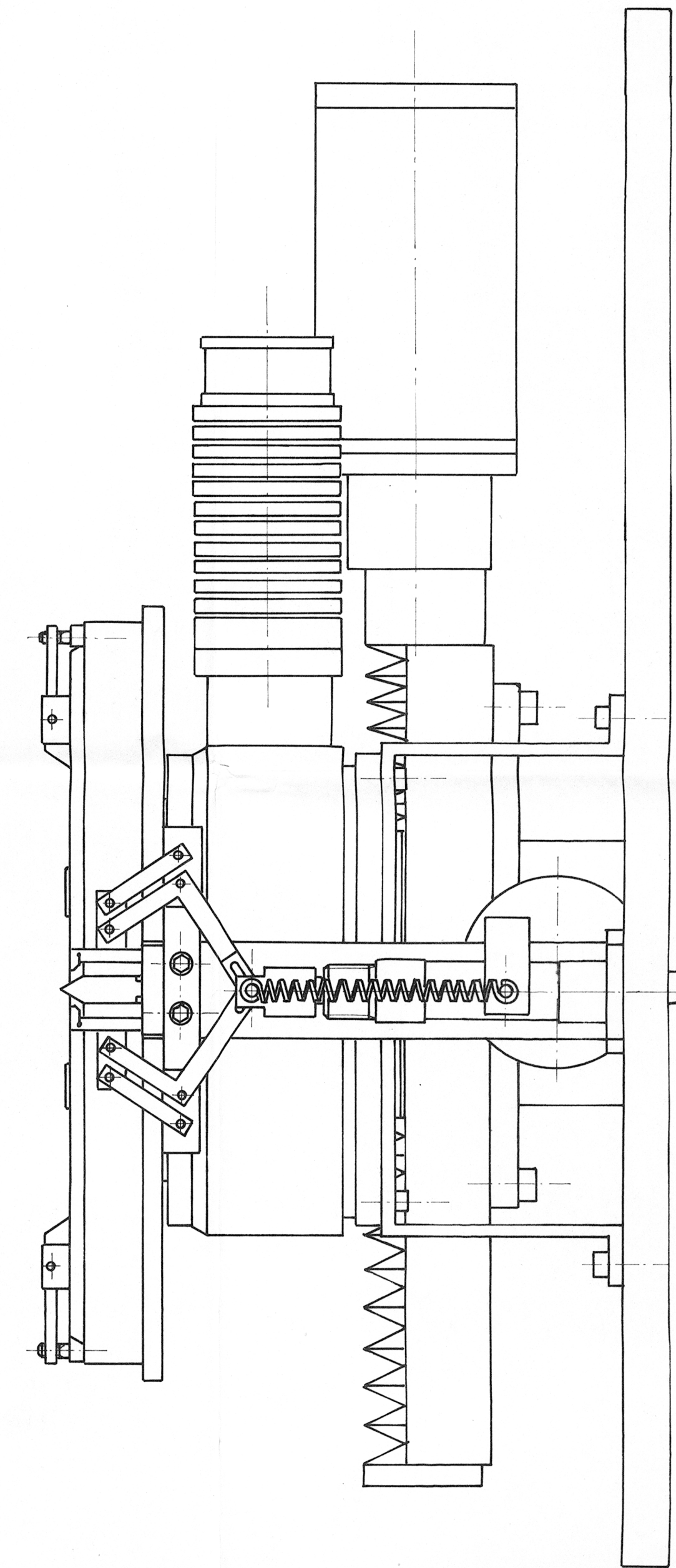
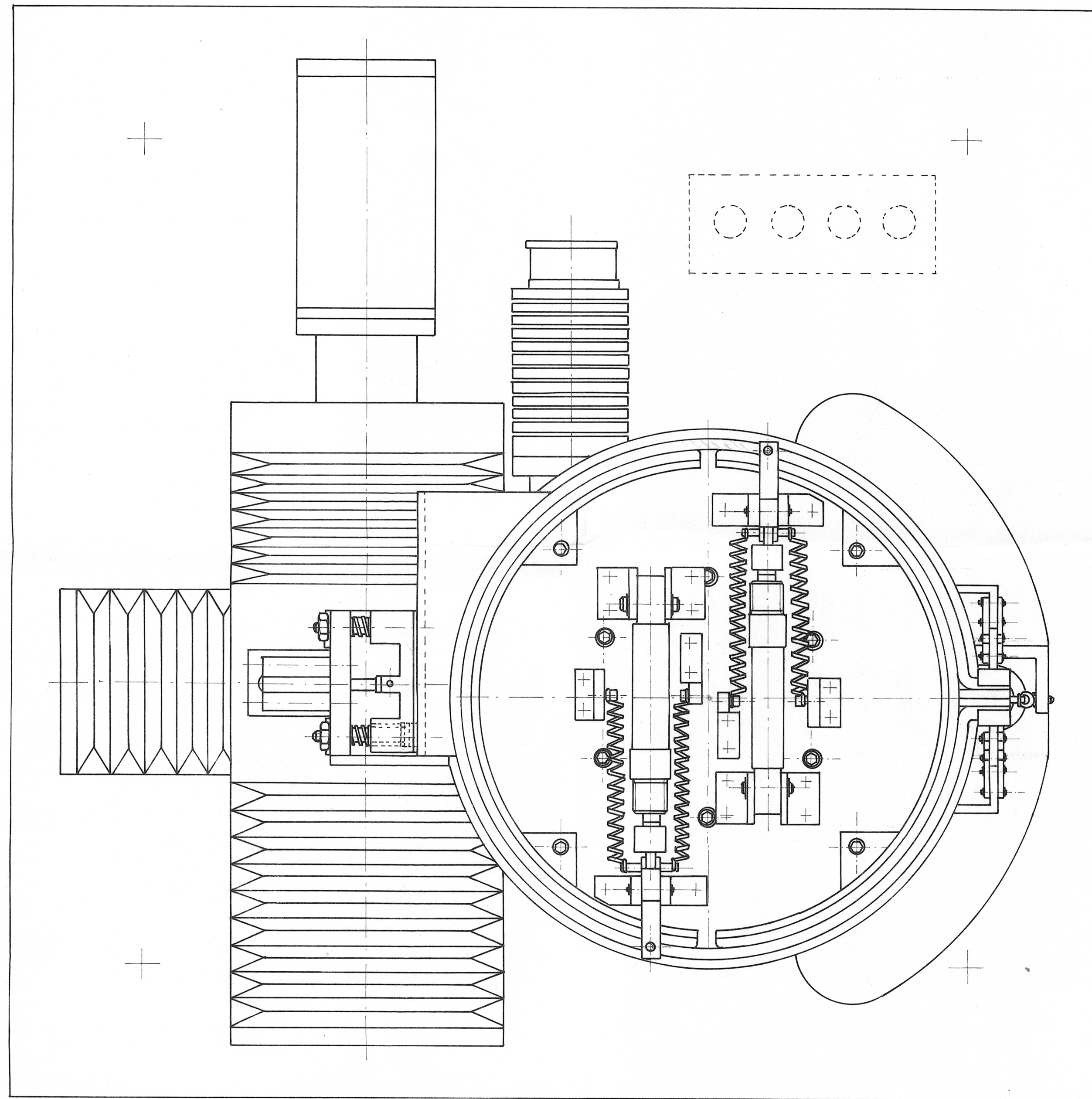
www.tue.nl/taverne

Take down policy

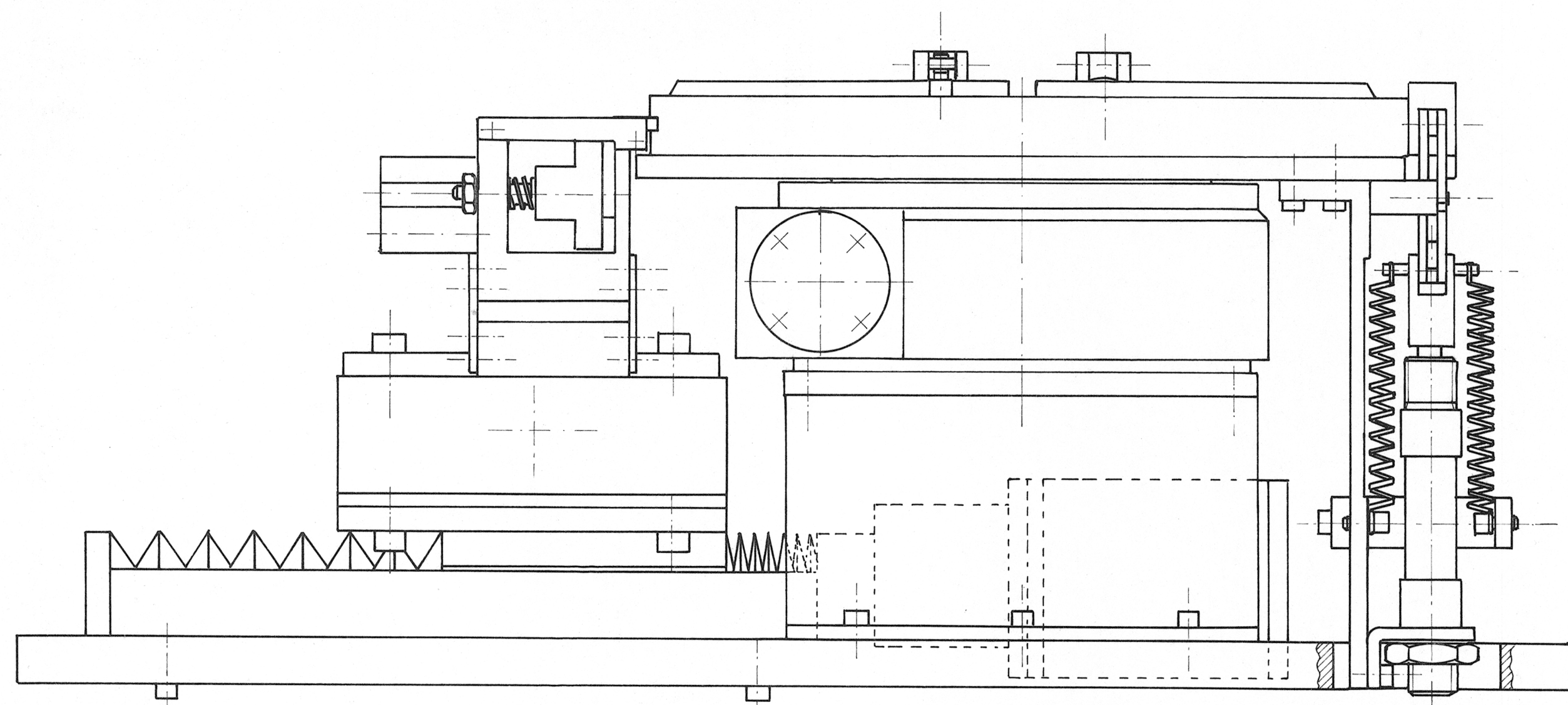
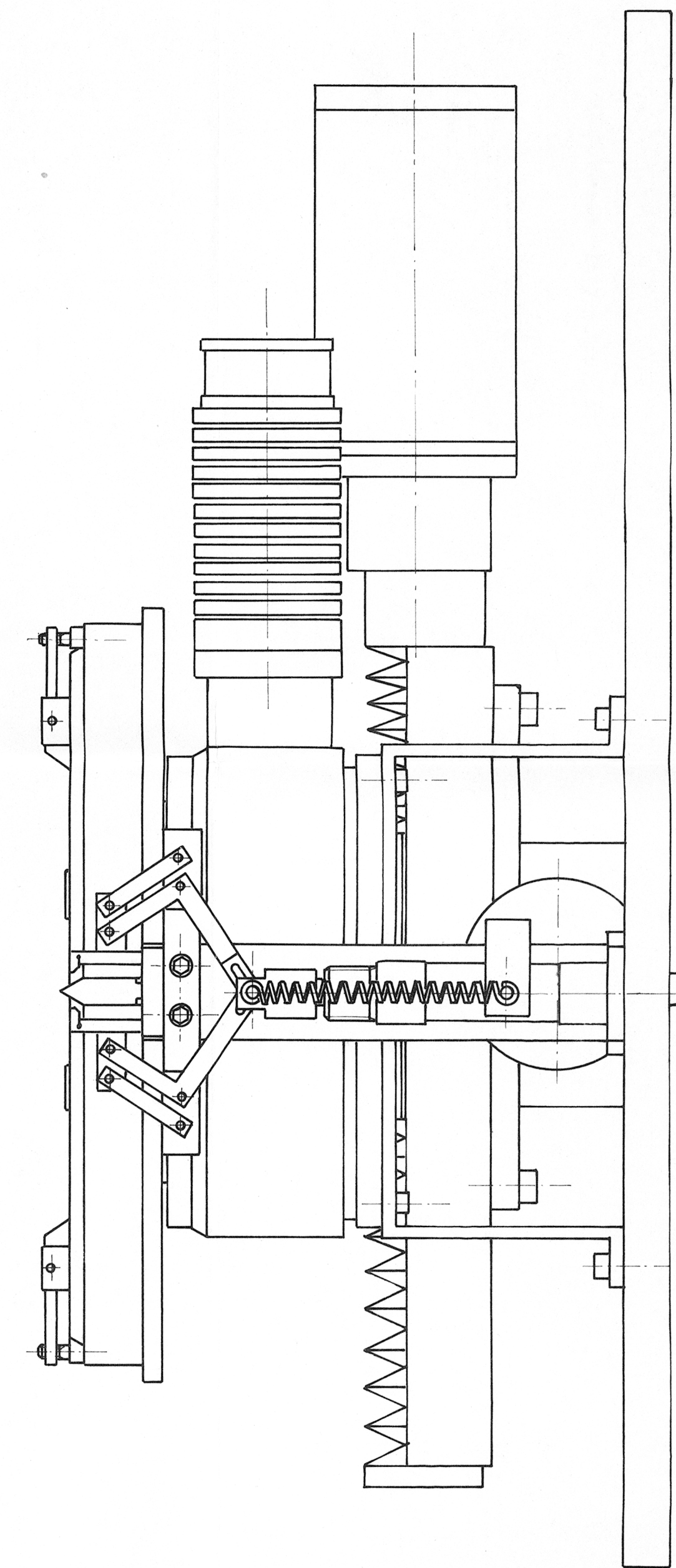
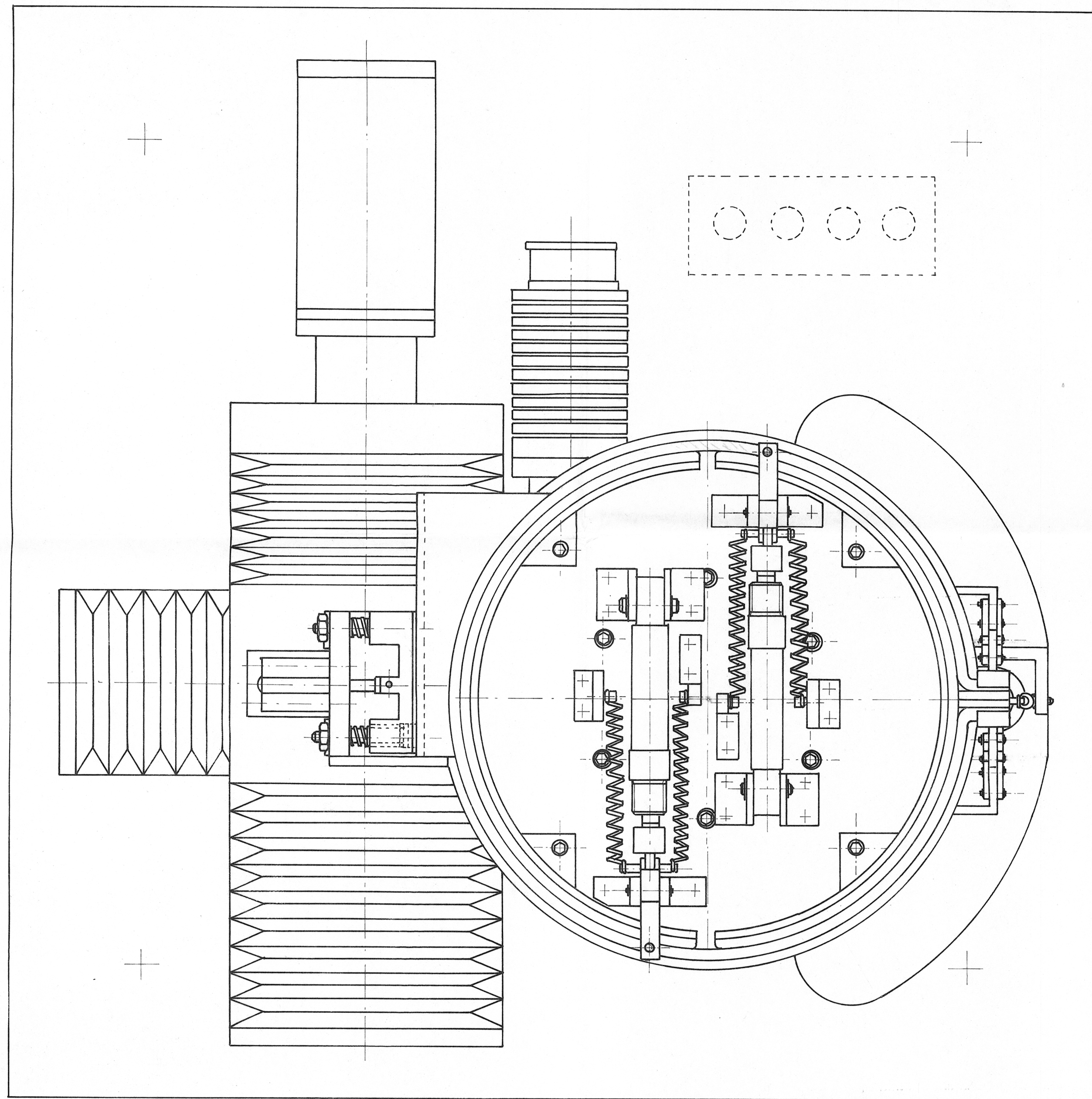
If you believe that this document breaches copyright please contact us at:

openaccess@tue.nl

providing details and we will investigate your claim.



TOLERANTIES VLGS NEN 2265 b.v. $\pm 0,15$ $\begin{matrix} +0,10 \\ -0,25 \end{matrix}$		PROJECTIE AM	BENAMING Concept draagblok voor ringvormsteunen						
PASSINGEN VLGS N 802	RUWHEIDSWAARDEN VLGS NEN 430	AANTAL	MATERIAAL						
		SCHAAL 1:2	DATUM 2018	TEKENINGNR.					
		GET. Vosters GEC. :		WIJZIGING <table border="1"> <tr> <td> </td> <td> </td> <td> </td> <td> </td> <td> </td> </tr> </table>					



TOLERANTIES VLGS NEN 2365 b.v. $0 \pm 0,15$ $0 \pm 0,10$ $0 - 0,25$		PROEKTIE AM		BENAMING Concept draagblok voor ringvormsteunen	
PASSINGEN VLGS N 802		RUWHEIDSWAARDEN VLGS NEN 430		AANTAL	
		SCHAAL 1:2		DATUM 2018	
Faculteit: WPA Technische Universiteit Eindhoven		GET: Vosters		TEKENINGNR. 2018	
GEC.:		WIJZIGING		A1	