

Record carrier, playback device and method of recording information

Citation for published version (APA):

Spruit, van den, J. H. M., Enden, G. J., Linnartz, J. P. M. G., & Talstra, J. C. (2005). Record carrier, playback device and method of recording information. (Patent No. *EP1372143*).

Document status and date:

Published: 01/06/2005

Document Version:

Publisher's PDF, also known as Version of Record (includes final page, issue and volume numbers)

Please check the document version of this publication:

- A submitted manuscript is the version of the article upon submission and before peer-review. There can be important differences between the submitted version and the official published version of record. People interested in the research are advised to contact the author for the final version of the publication, or visit the DOI to the publisher's website.
- The final author version and the galley proof are versions of the publication after peer review.
- The final published version features the final layout of the paper including the volume, issue and page numbers.

[Link to publication](#)

General rights

Copyright and moral rights for the publications made accessible in the public portal are retained by the authors and/or other copyright owners and it is a condition of accessing publications that users recognise and abide by the legal requirements associated with these rights.

- Users may download and print one copy of any publication from the public portal for the purpose of private study or research.
- You may not further distribute the material or use it for any profit-making activity or commercial gain
- You may freely distribute the URL identifying the publication in the public portal.

If the publication is distributed under the terms of Article 25fa of the Dutch Copyright Act, indicated by the "Taverne" license above, please follow below link for the End User Agreement:

www.tue.nl/taverne

Take down policy

If you believe that this document breaches copyright please contact us at:

openaccess@tue.nl

providing details and we will investigate your claim.



(12) **EUROPEAN PATENT SPECIFICATION**

(45) Date of publication and mention
of the grant of the patent:
01.06.2005 Bulletin 2005/22

(21) Application number: **03101849.2**

(22) Date of filing: **10.01.2000**

(51) Int Cl.7: **G11B 7/007**, G11B 20/10,
G11B 5/00, G11B 19/04,
G11B 19/12, G11B 20/18,
H04N 5/93, G11B 20/00,
G11B 7/00, G11B 7/013,
G11B 5/74, G11B 5/86

(54) **Record carrier, playback device and method of recording information**

Aufzeichnungsträger, Wiedergabevorrichtung und Verfahren zum Aufzeichnen von Informationen
Support d'enregistrement, dispositif de lecture et procédé d'enregistrement d'information

(84) Designated Contracting States:
**AT BE CH CY DE DK ES FI FR GB GR IE IT LI LU
MC NL PT SE**

(30) Priority: **27.01.1999 EP 99200217**

(43) Date of publication of application:
17.12.2003 Bulletin 2003/51

(62) Document number(s) of the earlier application(s) in
accordance with Art. 76 EPC:
00901546.2 / 1 066 627

(73) Proprietor: **Koninklijke Philips Electronics N.V.
5621 BA Eindhoven (NL)**

(72) Inventors:
• **Spruit, Johannes, H., M.
5656 AA, Eindhoven (NL)**

- **Van den Enden, Gijsbert, J.
5656 AA, Eindhoven (NL)**
- **Linnartz, Johan, P., M., G.
5656 AA, Eindhoven (NL)**
- **Talstra, Johan, C.
5656 AA, Eindhoven (NL)**

(74) Representative:
**Deguëlle, Wilhelmus Hendrikus Gerardus
Philips
Intellectual Property & Standards
P.O. Box 220
5600 AE Eindhoven (NL)**

(56) References cited:
US-A- 5 724 327

Description

[0001] The invention relates to a record carrier comprising substantially parallel tracks exhibiting first variations of a first physical parameter of the track, the first variations representing information recorded on the record carrier, which information is recoverable by means of a controllable type of data processing; and exhibiting second variations of a second physical parameter of the track, a modulation pattern of the second variations representing a code for controlling said type of data processing.

[0002] The invention further relates to a method of recording information on a record carrier, in which method the record carrier is provided with substantially parallel tracks, the information is encoded in first variations of a first physical parameter of the tracks, which information is recoverable by means of a controllable type of data processing, the tracks are provided with second variations of a second physical parameter of the track, and a code for controlling said type of data processing is encoded in a modulation pattern of the second variations.

[0003] The invention further relates to a playback device for recovering information from the record carrier, the device comprising reading means for generating a read signal in dependence on the first variations, and demodulation means for retrieving the code from the modulation pattern of the second variations, and data processing means for processing the read signal for recovering the information in dependence on the code.

[0004] A system for recording information comprising a record carrier, a recording method and a playback device, is known from US 5,724,327. The record carrier comprises tracks in which the information is represented in a predefined manner by optically readable marks of first variations of a first physical parameter, such as the reflectivity of the scanned surface. The track further has second variations of a second physical parameter, such as an periodic excursion of the track in a transverse direction (further denoted as wobble), a variation in depth, shape or width of the marks. The second variations are modulated and the modulation pattern represents a code which is used for recovering the information, e.g. a de-scramble code for recovering information stored as scrambled information. Said code may constitute a medium mark usable in a system for copy protection, because the track wobble cannot be copied to a recordable disc on standard recording equipment. The playback device comprises reading means for reading the optical marks and demodulation means for retrieving the code from the modulation of the second variations. The player and information carrier form a system for controlled information reproduction. For this purpose, the player comprises data processing means for reproducing the information in dependence on the retrieved code. If the information is copied on a writable information carrier, the information of this copy will not be reproduced by said player, because during the copying process only

the information represented by the first variations is written to the writable information carrier. The copied information carrier does not contain the code, as the second variations cannot be produced by standard recording devices. However the known system cannot be applied to an existing high density record carrier like DVD, because such high density record carrier systems have tight tolerances on the parameters of the track and the required modulation of a second physical parameter would disrupt the reading of the marks and cause errors in the retrieved information.

[0005] It is an object of the invention to provide a high density record carrier with a medium mark, and recording and playback means for such a record carrier.

[0006] For this purpose, the record carrier as described in the opening paragraph is characterized in that the record carrier comprises a limited area where the tracks do exhibit the second variations, and a further area, outside the limited area, where the tracks do not exhibit the second variations. For this purpose, the method as described in the opening paragraph is characterized in that the record carrier is provided with a limited area where the tracks do exhibit the second variations, and a further area, outside the limited area, where the tracks do not exhibit the second variations. For this purpose, the playback device as described in the opening paragraph is characterized in that the device comprises means for locating the limited area for retrieving the code from the modulation pattern of the second variations of the tracks in the limited area. The limited area having second variations and modulation has the effect that the second variations can only cause disturbance in the read signal in the limited area. Advantageously the recovery of information represented by the first variations from the further area is not disturbed at all by second variations. Therefore the tight tolerances on the parameters of the track can effectively be maintained.

[0007] The invention is also based on the following recognition. The amplitude of the second variations must be sufficiently strong for detecting the modulation pattern. However, in a high density record carrier, the modulation of the second variations causes crosstalk to the read signal for reading the first variations, and therefore causes noise which degrades the detection of the recorded information. Hence the amplitude of the second variations must be as low as possible, i.e. can be zero for the majority of the recorded area of the record carrier.

[0008] Further preferred embodiments of the method, devices and information carrier according to the invention are given in the dependent claims.

[0009] These and other aspects of the invention will be apparent from and elucidated further with reference to the embodiments described by way of example in the following description and with reference to the accompanying drawings, in which

Figure 1 shows a record carrier,

Figure 2 shows a schematic map of the recorded area and the wobble amplitude,

Figure 3 shows parts of a modulation pattern,

Figure 4 shows a record carrier layout,

Figure 5 shows a playback device, and

Figure 6 shows a recording device. Corresponding elements in different Figures have identical reference numerals.

[0010] Fig. 1 a shows a disc-shaped record carrier 1 having a track 9 and a central hole 10. The track 9 is arranged in accordance with a spiral pattern of turns constituting substantially parallel tracks on an information layer. The record carrier may be an optical disc having an information layer of a recordable type or of a pre-recorded type. Examples of a recordable disc are the CD-R and CD-RW, and the DVD+RW, whereas the audio CD or the DVD video are examples of prerecorded discs. The prerecorded type can be manufactured in a well known way by first recording a master disc and via intermediate steps subsequently pressing consumer discs. The track 9 on the recordable type of record carrier is indicated by a pre-embossed track structure provided during manufacture of the blank record carrier, for example a pregroove. The information is represented on the information layer by optically detectable marks recorded along the track. The marks are constituted by variations of a first physical parameter and thereby have different optical properties or magnetic direction than their surroundings, e.g. variations in height called pits and lands on a CD.

[0011] Fig. 1b is a cross-section taken along the line b-b of the record carrier 1 of the recordable type, in which a transparent substrate 5 is provided with a recording layer 6 and a protective layer 7. The track structure is constituted, for example, by a pregroove 4 which enables a read/write head to follow the track 9 during scanning. The pregroove 4 may be implemented as an indentation or an elevation, or may consist of a material having a different optical property than the material of the pregroove. The pregroove enables a read/write head to follow the track 9 during scanning. A track structure may also be formed by regularly spread sub-tracks which periodically cause servo signals to occur. The record carrier may carry real-time information, for example video or audio information, or other information, such as computer data.

[0012] The Figures 1c and 1d show two examples of a variations of the track. Figure 1c shows a periodic variation of the lateral position of the track, also called wobble. Figure 1d shows a variation of the width of the track. The variations cause an additional signal to arise in the read head, e.g. in a servo tracking detector, of a recorder. The wobble is, for example, frequency modulated and disc information is encoded in the modulation. A comprehensive description of a writable CD system comprising disc information encoded in such a manner can be found in US 4,901,300 (PHN 12.398) and US

5,187,699 (PHQ 88.002).

[0013] According to the invention the wobble comprises a code, which is an identifier to support copy-control, anti-piracy and other mechanisms. The code contains data for copy protection and anti-piracy mechanisms. It is to be noted, that in a recordable disk the pregroove or track structure is wobbled, whereas in a pre-recorded record carrier said detectable marks are wobbled, e.g. a wobble of the pits. During the mastering process, the wobble is written by a laser beam recorder, by imposing a small lateral offset of the center of the pits. The wobble is detectable by the optical pick-up, using the servo control signals.

[0014] Figure 2 shows a schematic map of the recorded area and the wobble amplitude. The schematic map 21 shows the first part of the recorded area and indicates the amplitude A of the wobble. A corresponding address map 22 is shown alongside. The wobble is located only in a limited area of the total recorded area, e.g. at an area within the lead-in area of a disc as indicated in Figure 2 from S 1 to S4. Preferably the limited area does not comprise essential information, e.g. zero or redundant data. In a DVD type disc the wobble is provided at specific addresses at the end of the Initial Zone of the Lead-in area, between sector S1, which is larger than or equal to 0x02E15C and sector S4, which is smaller than or equal to 0x02FF7C.

[0015] It is to be noted, that if the wobble amplitude is nominal in one track and zero in the neighbouring track, that in such boundary tracks the crosstalk is not compensated as described in the introduction. Hence in such tracks an increased noise level is found. In an embodiment of the record carrier the wobble amplitude in boundary areas (in Figure 2: S1 to S2 and S3 to S4) shall depend on the radial position so as to gradually increase from zero to the nominal amplitude and vice versa. The center area comprising the nominal amplitude (from S2 to S3) can be used for detecting and retrieving the code, whereas in the boundary areas the disturbance caused by the wobble decreases to zero, but does not substantially exceed the level in the limited area. In a practical embodiment the wobble amplitude depends on the address of the sector number as follows. The maximum amplitude is $A = 30$ nm. It shall take on its full amplitude A (only) between sector S2, with $S1 + 0x100 < S2 < 0x02f00$, and S3 with $0x02FE00 < S3 < S4 - 0x100$. This implies that the range where the full amplitude is applied (S3 - S2), shall at least cover a reference code zone, buffer zone 1 and the control data zone. The ramp-up and ramp-down of the wobble amplitude takes at least 256 sectors (roughly 16 windings). The amplitude shall be zero for sector numbers below S1 and beyond S4. It linearly increases with sector number from zero to A between S1 and S2. It shall have a constant value of A between sector S2 and S3. It linearly decreases from A to zero between r3 and r4. In practical embodiments it is permissible that the wobble amplitude increases stepwise per sector number, step

wise per disc winding or continuously. Jumps in wobble amplitude shall not exceed 3 nm. In any point on two successive windings, the amplitude difference shall not exceed 3 nm. In practice on a CD type disc the wobble location corresponds to radii of 23 to 24 mm. In an embodiment the wobble shall be have the form of a sinusoidal offset of the position of pits, relative to the center of the track. The wobble shall be written with constant angular velocity (CAV), and every track is modulated with the same code and additional control bits. Hence every winding of the disc contains the same wobble waveform, except possibly for a minute difference in amplitude or phase error. In a practical embodiment the number of wobble sinusoids per track is 1152. The phase offset between two neighbouring tracks is as small as possible. In practice for a sufficient quality read signal the phase difference may not exceed 30 degrees, where 360 degrees corresponds to one full wobble sinusoid (1/1152th of a disc winding).

[0016] The code which is encoded in the wobble may be used as a disc mark. The disc mastering set-up should accept a disc mark seed (e.g. a 64 bit number), from which it creates the wobble code, preferably using a cryptographic function. For security reasons no facilities are allowed to directly insert the wobble code. A cryptographic relation can be used between the wobble code and the recorded information on the record carrier, for example a one-way function between the disc mark and a watermark, i.e. embedded control information in the audio and/or video information. Further details of the creation and use of a disc mark and verification of the disc mark against additional control information (e.g. a so called control ticket) by a controllable type of data processing can be found in WO98/33176 and WO 98/33325. In an embodiment the record carrier contains several annular areas with wobbled tracks separated by transit areas Each area may have a different modulation pattern, whereas the modulation pattern within each individual area is the same. Hence a number of codes may be encoded in the second variations. The transit areas may have no wobble or have a transit pattern gradually changing the modulation pattern from a first annular area into the modulation pattern of a second annular area.

[0017] In an embodiment the code is provided with error correction symbols for correcting read errors. For error correction a Reed-Solomon [8,4,5] code over F_{2^4} with rate $R = 1/2$ may be used. The 64 bits from the cryptographic function are grouped into 4 times 4 symbols. One symbol contains 4 bits. The Reed Solomon encoder operates on 4 symbols at a time. Four user symbols x_1, x_2, x_3, x_4 are expanded to $x_4, x_3, x_2, x_1, 0, 0, 0, 0, 0, 0, 0$ (of length 11). Four ECC symbols $x_{12}, x_{13}, x_{14}, x_{15}$ are obtained using polynomial $x^4 + x + 1$. The output of the error correction encoder are the 8 Symbols $x_1, x_2, x_3, x_4, x_{12}, x_{13}, x_{14}, x_{15}$.

[0018] Figure 3 shows parts of a modulation pattern. The code is represented by data bits, which are converted to a waveform and encoded in the wobble, and are

provided with synchronization words for locating the start of the code.

[0019] Figure 3a shows an example of modulation of data bits to channel bits, and the corresponding waveform 31. Data bits are Biphas-Mark coded. In the Biphas-Mark code, two channel bits represent one data bit. The code always has a "0"-to-"1" or a "1"-to-"0" transition at the beginning of a data bit. A second transition shall occur in the middle of the data bit in case it has value "1". In addition to data bits of the code synchronization words are added for detecting the start of the code. Every group of 4 data symbols shall be preceded by a specific 8 (channel) bit sync word.

[0020] Figure 3b shows a modulated wobble. The modulation is called binary Phase Shift Keying (PSK). A channel bit contains 4 periods of the wobble sinusoid. Bit transitions 36 occur only at zero crossings of the wobble sinusoids. A first channel bit 32 has value 0, a second channel bit is also 0, a third channel bit 34 is 1 and the fourth channel bit 35 is 0. Due to the Biphas-Mark coding, a data-bit is 8 carrier periods, and Figure 3b shows two data bits. Due to the $R = 1/2$ error-correction, the effective bit period is 16 wobble carrier periods. For detecting it is permissible that the read signal of the modulated wobble is band-pass or high-pass filtered, provided that the band-pass characteristic remains substantially flat, e.g. within 3 dB.

[0021] Figure 3c specifies four different synchronization words. The synchronization words violate the above Biphas-Mark code rule, so that they can be easily recognized. A sync word always starts with a phase reversal. A sync-word has two possible appearances that are each other's (channel-bit) inverse. Which appearance is used depends on the last bit of previous channel bits.

[0022] Figure 3d and 3e show aligned modulation patterns. These Figures give a detail of a few neighbouring tracks, and a modulation pattern of transversal excursion, which is not drawn to scale (in reality the excursion is 3% to 10% of the track pitch). According to the invention the modulation patterns are aligned from track to track, i.e. for this type of modulation the zero crossings are at a corresponding longitudinal position. In the Figures the middle track 42, 45 is a code track comprising the modulated pattern representing the code, which is to be read from left to right as indicated by arrow 40. In Figure 3d the left neighbouring track 41 and the right neighbouring track 43 have the same modulation pattern as the code track 42. In an embodiment shown in Figure 3e the modulation pattern in the left neighbouring track 44 is inverse to the modulation pattern in the code track 45. Right neighbouring track 46 again has the polarity of left neighbouring track 44. Hence the modulation is inverted from track to track. In a further embodiment using track width modulation as shown in Figure 1d, the modulation of the left neighbouring track is inverse to the modulation of the right neighbouring track for achieving the optimum crosstalk compensation. In this case a maximum width of the left neighbouring track is aligned

with a minimum width of the right neighbouring track. As such a pattern is formed of each time two equal modulated tracks followed by two inverse modulated tracks.

[0023] Figure 4 shows a layout of a record carrier. One winding of the track is encoded with four segments of code words, alternating with sync words. The winding starts with Sync word 0, followed by 64 channel bits, followed by Sync 1, 64 channel bits, Sync 2, 64 channel bits, Sync 3, and 64 channel bits. The next winding contains precisely the same code. The absence of a wobble phase reversal between data bits is permissible between the end of any winding and the start of the next winding, although this violates the bi-phase mark modulation. Hence the same modulation pattern is present in every wobbled track. In an embodiment of the record carrier the polarity of the modulation is inverse from track to track, as shown in Figure 3e. This improves the read signal strength for wobble detection in certain track configurations, e.g. detection of servo signals by push-pull detectors used in CD Recordable systems. In a practical embodiment of the record carrier the tracks contain 64 code bits for wobble key plus 64 bits for ECC, and $(4 \cdot 8)/2$ synchronization bits. In total one winding of the track contains precisely $4 \cdot [2 \cdot (64+64) + 4 \cdot 8] = 1152$ wobble periods. When the disc rotates at approximately 25 Hz for reading lead-in area, the wobble frequency $f_w = 1152 \cdot 25 \text{ Hz} = 28.8 \text{ kHz}$. Such a wobble frequency of about 30 kHz has the advantage, that the information encoded in the track by the first variations, has substantially no frequency components in this range. Hence the detection of the modulation pattern is not disturbed by the first variations.

[0024] Figures 5 and 6 show apparatuses according to the invention for scanning a record carrier 1. The apparatus of Figure 5 is arranged for reading the record carrier 1, which record carrier is identical to the record carriers shown in Figure 1. The device is provided with read means comprising a read head 52 for scanning the track on the record carrier, drive means 55 for rotating the record carrier 1, a reading unit 53 for example comprising a channel decoder and an error corrector, tracking means 51 and a system control unit 56. The read head comprises an optical system of a known type for generating a radiation spot 66 focused on a track of the recording layer of the record carrier via a radiation beam 65 guided through optical elements. The radiation beam 65 is generated by a radiation source, e.g. a laser diode. The read head further comprises a focusing actuator for focusing the radiation beam 65 on the recording layer and a tracking actuator 59 for fine positioning of the spot 66 in radial direction on the center of the track. The tracking actuator 59 may comprise coils for radially moving an optical element or may be arranged for changing the angle of a reflecting element on a movable part of the read head or on a part on a fixed position in the case part of the optical system is mounted on a fixed position. The radiation reflected by the recording layer is detected by a detector of a usual type, e.g. a four-quadrant diode,

for generating a detector signals 57 including a read signal, a tracking error and a focusing error signal. The apparatus is provided with tracking means 51 coupled to the read head for receiving the tracking error signal from the read head and controlling the tracking actuator 59. During reading, the read signal is converted into output information, indicated by arrow 64, in the reading unit 53. For this purpose the reading unit 53 comprises data processing means of a controllable type, which are to be controlled based on a code from the record carrier, for example access control may be performed based on the code retrieved from the record carrier. The apparatus has positioning means 54 for coarsely positioning the read head 52 in the radial direction on the track, the fine positioning being performed by the tracking actuator 59. The apparatus is provided with a code detector 50 for detecting and demodulating the code from the detector signals 57 when scanning a code track that comprises the modulation pattern. For example the track may be modulated by periodic excursions transverse to the longitudinal track direction as described above with reference to Figure 3. Such modulation can be detected from the radial tracking servo signals. The device is further provided with a control unit 56 for receiving commands from a controlling computer system or from a user and for controlling the apparatus via control lines 58, e.g. a system bus connected to the drive means 55, the positioning means 54, the code detector 50, the tracking means 51 and the reading unit 53. To this end, the control unit comprises control circuitry, for example a micro-processor, a program memory and control gates, for performing the procedures described below. The control unit 56 may also be implemented as a state machine in logic circuits. The control unit 56 is arranged for retrieving the code from the track via the code detector 50, and for controlling the type of data processing in the reading means 53. For example the code may be a de-scramble key, which is used for decrypting copy protected video information. For reliable detection of the code the control unit 56 is arranged for detecting the code from at least two tracks. A first code track is located by positioning the read head at a predetermined track, e.g. at a predetermined radial position or a predetermined address. Then the code is detected from said first code track. For verifying the detected code a second code track is scanned, e.g. the next winding of the track. The second detected code is compared with the first code, and if equal, the code is passed on to the data processing unit. In an embodiment of the system the code may be provided with error detection symbols, and the control unit may decide to read the code from a different code track only if errors are indicated by said error symbols. Alternatively the control unit may be arranged for reading two tracks which are at different radial positions and comparing the retrieved codes. In the event that the retrieved codes are not equal, further tracks are read and the retrieved codes (or the read signals) are kept in memory until the code can be determined with a sufficient cer-

tainty, e.g. at least 4 out of 5 tracks had the same code. In an embodiment the read device comprises means for locating a modulated area, i.e. a limited area of the record carrier that comprises modulated tracks as described above with reference to Figure 2. The device may have a memory containing predetermined modulated area address information for locating the modulated area. Alternatively such address information may be provided on the record carrier, for example in a system information area. The control unit 56 is arranged for controlling the positioning means 54 and the tracking actuator 59 for accessing a code track in the modulated area of the record carrier as indicated by the modulated area address information.

[0025] Figure 6 shows a device for writing information on a record carrier according to the invention of a type which is (re)writable in, for example a magneto-optical or optical manner (via phase change or dye) by means of a beam 65 of electromagnetic radiation. The device is usually also equipped for reading and comprises the same elements as the apparatus for reading described above with Figure 5, except that it comprises write means which include a write/read head 62, drive means 55 for rotating the record carrier 1, a write signal processing unit 60, which comprises for example a formatter, an error coder and a channel coder, tracking means 51 and a system control unit 56. The write/read head 62 has the same function as the read head 52 together with a write function and is coupled to the write signal processing unit 60. The information presented to the input of the write signal processing unit 60 (indicated by the arrow 63) is distributed over logical and physical sectors according to formatting and encoding rules and converted into a write signal 61 for the write/read head 62. The system control unit 56 is arranged for controlling the write signal processing unit 60 and for performing the position information recovery and positioning procedure as described above for the reading apparatus. During the writing operation, marks representing the information are formed on the record carrier. Writing and reading of information for recording on optical discs and usable formatting, error correcting and channel coding rules, are well-known in the art, e.g. from the CD system. In particular the code detecting means 50 are arranged for retrieving the code from the modulated tracks as described with the read apparatus. A data clock is used to control the write signal processing unit 60 and/or the reading unit 53. Data clock generation means can be controlled by the system control unit 56 based on the radial position, e.g. on a zone and the rotation rate of the disc, and/or may be locked to the wobble.

[0026] A recording method for providing a blank record carrier with modulated tracks comprises the following steps. In the method the record carrier is provided with substantially parallel tracks, and the information is encoded in first variations of a first physical parameter of the track, which information is recoverable by means of a controllable type of data processing; and a code for

controlling said type of data processing is encoded in a modulation pattern of second variations of a second physical parameter of the track. In respect of a code track that comprises the modulation pattern, the modulation pattern in the left neighbouring track is aligned to the modulation pattern in the right neighbouring track. This may be achieved by accurately controlling the modulation of the second variations, e.g. the radial positioning of the track in relation to the rotational position of a disc-shaped record carrier. Alternatively a second read head may be used to read the modulation pattern at a position two tracks before the track being written. In an embodiment the record carrier is rotated and the modulation is controlled in dependence on said rotational position. Such control is achieved by using tachopulses from a motor that rotates the record carrier, and locking a waveform generator to the tachopulses. The waveform generator further comprises the code for modulating the second variations during writing.

[0027] Although the invention has been explained mainly by embodiments using the wobble (a variably modulated transverse excursion), any suitable modulation of a parameter of the track may be modulated, e.g. the average reflection of a written part or the shape of certain pits. Also for the information carrier an optical disc has been described, but other media, such as a magnetic disc or tape, may be used.

30 Claims

1. Record carrier comprising substantially parallel tracks
 - 35 - exhibiting first variations of a first physical parameter of the track, the first variations representing information recorded on the record carrier, which information is recoverable by means of a controllable type of data processing; and
 - 40 - exhibiting second variations of a second physical parameter of the track, a modulation pattern of the second variations representing a code for controlling said type of data processing, **characterized in that**
 - 45 the record carrier comprises a limited area (S1,S4) where the tracks do exhibit the second variations, and a further area, outside the limited area (S1,S4), where the tracks do not exhibit the second variations.
- 50 2. Record carrier as claimed in claim 1, wherein the limited area comprises a boundary zone (S1,S2) and a center area (S2,S3), in which the center area the tracks exhibit the second variations at a predetermined amplitude, and in which boundary zone the amplitude of the second variations increases from zero to the predetermined amplitude.

3. Record carrier as claimed in claim 1, wherein the record carrier comprises limited area address information for locating the limited area.

4. Record carrier as claimed in claim 1, wherein the second variations are displacements of the track in a direction transverse to the longitudinal direction of the track.

5. Record carrier as claimed in claim 1, wherein the tracks constitute a spiral or concentric pattern of tracks, and adjacent tracks in the pattern of tracks exhibit a same number of the second variations.

6. Method of recording information on a record carrier, in which method

- the record carrier is provided with substantially parallel tracks,
- the information is encoded in first variations of a first physical parameter of the tracks, which information is recoverable by means of a controllable type of data processing,
- the tracks are provided with second variations of a second physical parameter of the track, and
- a code for controlling said type of data processing is encoded in a modulation pattern of the second variations, **characterized in that** the record carrier is provided with a limited area (S1,S4) where the tracks do exhibit the second variations, and a further area, outside the limited area (S1,S4), where the tracks do not exhibit the second variations.

7. Method as claimed in claim 6, wherein the record carrier is rotated and providing the second variations exhibiting the modulation pattern is controlled in dependence on said rotation.

8. Playback device for recovering information from a record carrier with substantially parallel tracks as claimed in claim 1, the device comprising

- reading means (52) for generating a read signal in dependence on the first variations, and
- demodulation means (50) for retrieving the code from the modulation pattern of the second variations, and
- data processing means (53) for processing the read signal for recovering the information in dependence on the code,

characterized in that the device comprises means (56) for locating the limited area (S1,S4) for retrieving the code from the modulation pattern of the second variations of the tracks in the limited area.

9. Device as claimed in claim 8, wherein the device comprises a memory containing predetermined limited area address information for locating the limited area (S1,S4).

10. Device as claimed in claim 8, wherein the device comprises means for retrieving from the record carrier limited area address information for locating the limited area.

Patentansprüche

1. Aufzeichnungsträger mit im Wesentlichen parallelen Spuren,

- die erste Variationen eines ersten physikalischen Parameters der Spur zeigen, wobei die ersten Variationen Informationen darstellen, die auf dem Aufzeichnungsträger aufgezeichnet worden sind, wobei diese Information mit Hilfe eines steuerbaren Typs von Datenverarbeitung wiederherstellbar ist; und
- die zweite Variationen eines zweiten physikalischen Parameters der Spur zeigen, wobei ein Modulationsmuster der zweiten Variationen einen Code darstellt zur Steuerung des genannten Typs von Datenverarbeitung, **dadurch gekennzeichnet, dass** der Aufzeichnungsträger ein begrenztes Gebiet (S1,S4) aufweist, wobei die Spuren die zweiten Variationen zeigen, und ein weiteres Gebiet, außerhalb des begrenzten Gebietes (S1,S4), wo die Spuren nicht die zweiten Variationen zeigen.

2. Aufzeichnungsträger nach Anspruch 1, wobei das begrenzte Gebiet eine Begrenzungszone (S1, S2) und ein zentrales Gebiet (S2, S3) aufweist, wobei in diesem zentralen Gebiet die Spuren die zweiten Variationen mit einer vorbestimmten Amplitude zeigen, und wobei in der Begrenzungszone die Amplitude der zweiten Variationen von Null bis an die vorbestimmte Amplitude zunimmt.

3. Aufzeichnungsträger nach Anspruch 1, wobei der Aufzeichnungsträger Adresseninformation über das begrenzte Gebiet enthält, und zwar zum Auffinden des begrenzten Gebietes.

4. Aufzeichnungsträger nach Anspruch 1, wobei die zweiten Variationen Verlagerungen der Spur in einer Richtung quer zu der Längsrichtung der Spur sind.

5. Aufzeichnungsträger nach Anspruch 1, wobei die Spuren eine Spirale oder ein konzentrisches Muster von Spuren bilden, und wobei benachbarte Spuren in dem Muster von Spuren eine gleiche An-

zahl zweiter Variationen zeigen.

6. Verfahren zum Aufzeichnen von Information auf einem Aufzeichnungsträger, wobei in diesem Verfahren:

- der Aufzeichnungsträger mit im Wesentlichen parallelen Spuren versehen ist,
- die Information in erste Variationen eines ersten physikalischen Parameters der Spuren codiert wird, wobei diese Information mit Hilfe eines steuerbaren Typs von Informationsverarbeitung wiederherstellbar ist,
- die Spuren mit zweiten Variationen eines zweiten physikalischen Parameters der Spur versehen ist, und
- ein Code zur Steuerung des genannten Typs von Datenverarbeitung in einem Modulationsmuster der zweiten Variationen codiert ist, **dadurch gekennzeichnet, dass** der Aufzeichnungsträger mit einem begrenzten Gebiet (S1, S4) versehen ist, wobei die Spuren die zweiten Variationen zeigen, und mit einem weiteren Gebiet außerhalb des begrenzten Gebietes (S1, S4), wo die Spuren keine Variationen zeigen.

7. Verfahren nach Anspruch 6, wobei der Aufzeichnungsträger in Drehung versetzt wird und die die Lieferung der zweiten Variationen, die das Modulationsmuster zeigen, in Abhängigkeit von der genannten Drehung gesteuert wird.

8. Wiedergabeanordnung zum Wiederherstellen von Information von einem Aufzeichnungsträger mit im Wesentlichen parallelen Spuren nach Anspruch 1, wobei diese Anordnung die nachfolgenden Elemente umfasst:

- Lesemittel (52) zum Erzeugen eines Lesesignals in Abhängigkeit von den ersten Variationen, und
- Demodulationsmittel (50) zum Wiederherstellen des Codes aus dem Modulationsmuster der zweiten Variationen, und
- Datenverarbeitungsmittel (53) zum Verarbeiten des Lesesignals zum Wiederherstellen der Information in Abhängigkeit von dem Code,

dadurch gekennzeichnet, dass die Anordnung Mittel (56) aufweist zum Auffinden des begrenzten Gebietes (S1, S4) zum Wiederherstellen des Codes aus dem Modulationsmuster der zweiten Variationen der Spuren in dem begrenzten Gebiet.

9. Anordnung nach Anspruch 8, wobei die Anordnung einen Speicher aufweist, der vorbestimmte Adresseninformation über das begrenzte Gebiet enthält

zum Auffinden des begrenzten Gebietes (S1, S4).

10. Anordnung nach Anspruch 8, wobei die Anordnung Mittel aufweist zum Wiederherstellen der Adresseninformation über das begrenzte Gebiet von dem Aufzeichnungsträger zum Auffinden des begrenzten Gebietes.

10 Revendications

1. Support d'enregistrement comprenant des pistes sensiblement parallèles

- présentant de premières variations d'un premier paramètre physique de la piste, les premières variations représentant de l'information qui est enregistrée sur le support d'enregistrement, laquelle information est récupérable au moyen d'un type contrôlable de traitement de données; et

- présentant des deuxième variations d'un deuxième paramètre physique de la piste, un motif de modulation des deuxième variations représentant un code qui est destiné à contrôler ledit type de traitement de données, **caractérisé en ce que**

le support d'enregistrement comprend une zone limitée (S1, S4) où les pistes présentent les deuxième variations et une nouvelle autre zone, à l'extérieur de la zone limitée (S1, S4) où les pistes ne présentent pas les deuxième variations.

2. Support d'enregistrement selon la revendication 1, dans lequel la zone limitée comprend une zone limite (S1, S2) et une zone centrale (S2, S3), zone centrale dans laquelle les pistes présentent les deuxième variations à une amplitude prédéterminée et zone limite dans laquelle l'amplitude des deuxième variations augmente à partir de zéro jusqu'à l'amplitude prédéterminée.

3. Support d'enregistrement selon la revendication 1, dans lequel le support d'enregistrement comprend de l'information d'adresse de zone limitée pour localiser la zone limitée.

4. Support d'enregistrement selon la revendication 1, dans lequel les deuxième variations sont des déplacements de la piste dans une direction étant transversale à la direction longitudinale de la piste.

5. Support d'enregistrement selon la revendication 1, dans lequel les pistes constituent un motif spirale ou concentrique de pistes et des pistes adjacentes dans le motif de pistes présentent un même nombre de deuxième variations.

6. Procédé pour enregistrer de l'information sur un support d'enregistrement, procédé dans lequel
- le support d'enregistrement est doté de pistes sensiblement parallèles, 5
 - l'information est codée dans des premières variations d'un premier paramètre physique des pistes, laquelle information est récupérable au moyen d'un type contrôlable de traitement de données, 10
 - les pistes sont dotées de deuxièmes variations d'un deuxième paramètre physique de la piste, et
 - un code destiné à contrôler ledit type de traitement de données est codé dans un motif de modulation des deuxièmes variations, **caractérisé en ce que** 15
 - le support d'enregistrement est doté d'une zone limitée (S1, S4) dans laquelle les pistes présentent les deuxièmes variations et une nouvelle autre zone, à l'extérieur de la zone limitée (S1, S4) dans laquelle les pistes ne présentent pas les deuxièmes variations. 20
7. Procédé selon la revendication 6, dans lequel le support d'enregistrement est entraîné en rotation et l'application des deuxièmes variations présentant le motif de modulation est contrôlé en fonction de ladite rotation. 25
8. Dispositif de reproduction pour récupérer de l'information à partir d'un support d'enregistrement avec des pistes sensiblement parallèles selon la revendication 1, le dispositif comprenant 30
- des moyens de lecture (52) pour générer un signal de lecture en fonction des premières variations, et 35
 - des moyens de démodulation (50) pour récupérer le code à partir du motif de modulation des deuxièmes variations, et 40
 - des moyens de traitement de données (53) pour traiter le signal de lecture pour récupérer l'information en fonction du code, 45
- caractérisé en ce que** le dispositif comprend des moyens (56) pour localiser la zone limitée (S1, S4) de manière à récupérer le code à partir du motif de modulation des deuxièmes variations des pistes dans la zone limitée. 50
9. Dispositif selon la revendication 8, dans lequel le dispositif comprend une mémoire contenant de l'information d'adresse de zone limitée prédéterminée pour localiser la zone limitée (S1, S4). 55
10. Dispositif selon la revendication 8, dans lequel le dispositif comprend des moyens pour récupérer de

l'information d'adresse de zone limitée à partir du support d'enregistrement de manière à localiser la zone limitée.

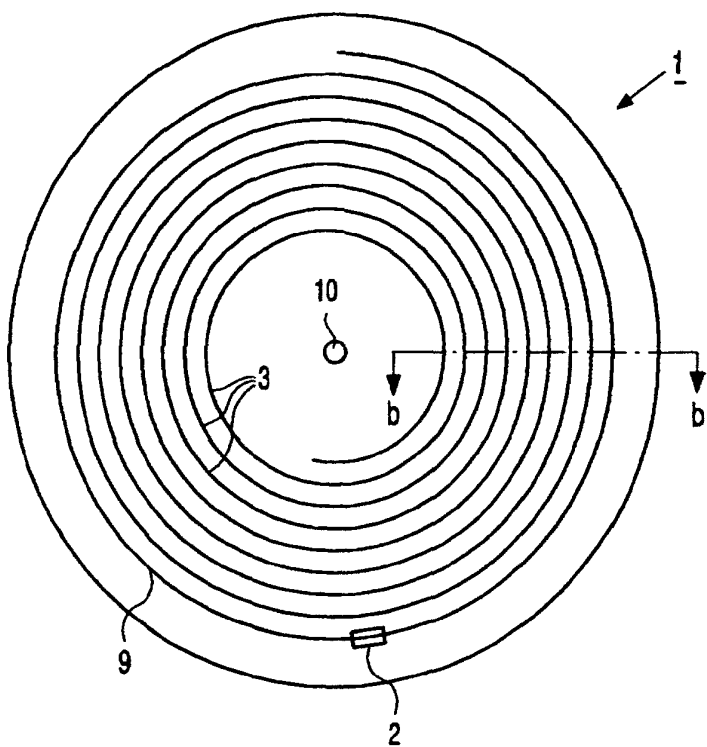


FIG. 1a

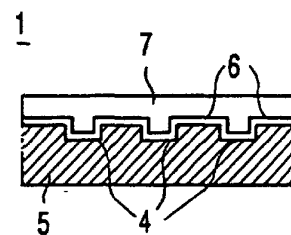


FIG. 1b

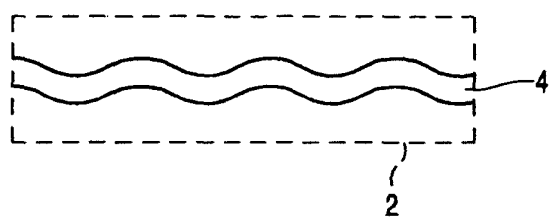


FIG. 1c

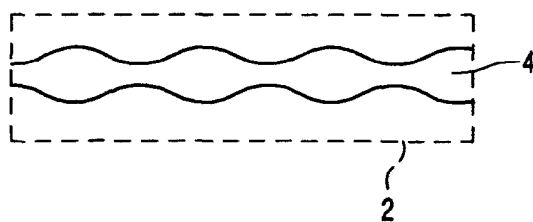


FIG. 1d

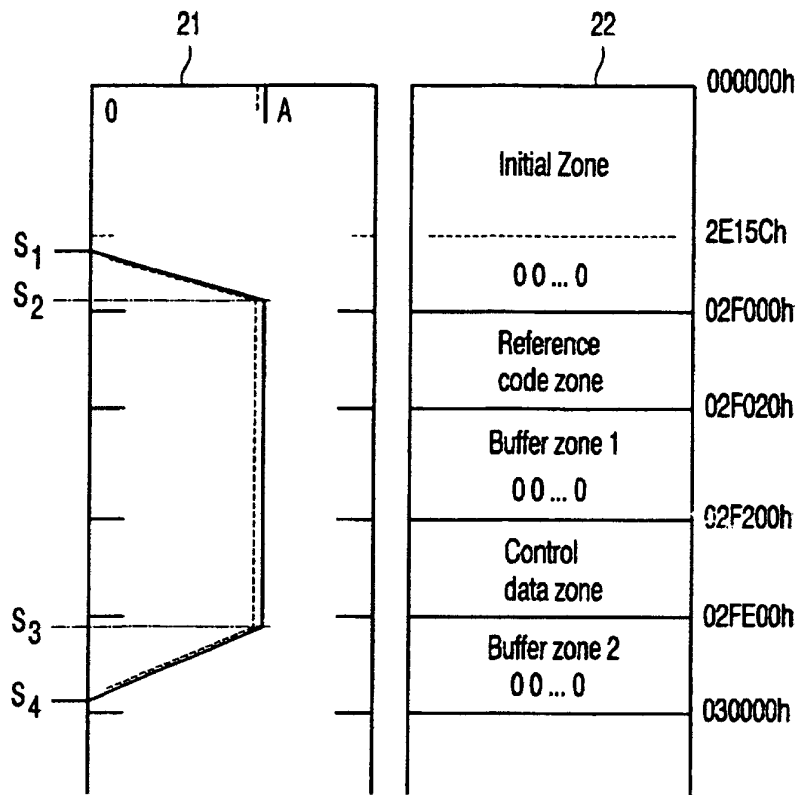


FIG. 2

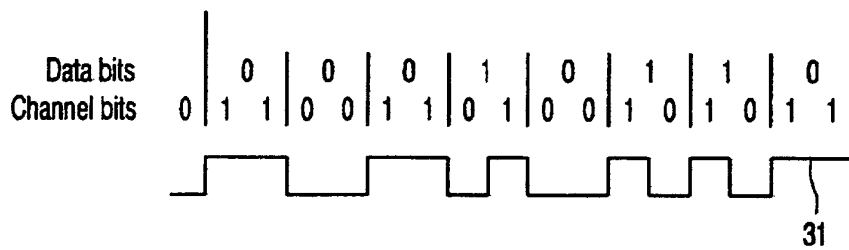


FIG. 3a

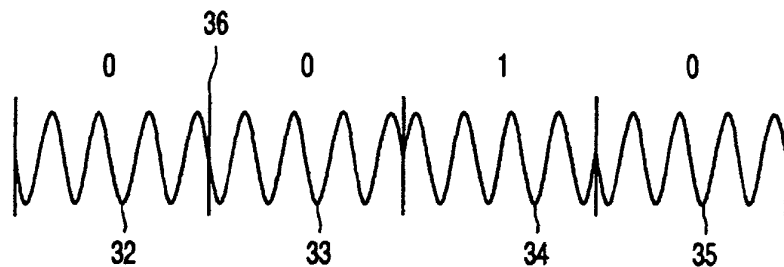


FIG. 3b

Data bits																			
Channel bits	0	1	1	1	0	1	0	0	0	1	1	0	1	1	0				
	1	0	0	0	1	0	1	1	1	1	0								

Data bits																			
Channel bits	0	1	1	1	0	1	0	0	0	1	1	0	1	1	0				
	1	0	0	0	1	0	1	1	1	1	0								

Data bits																			
Channel bits	0	1	1	1	1	0	0	0	0	1	1	1	1	1	0				
	1	0	0	0	0	1	1	1	1	1	0								

Data bits																			
Channel bits	0	1	1	1	0	0	1	0	0	1	1	0	1	1	0				
	1	0	0	0	1	1	0	1	1	0	1	1	0						

FIG. 3c

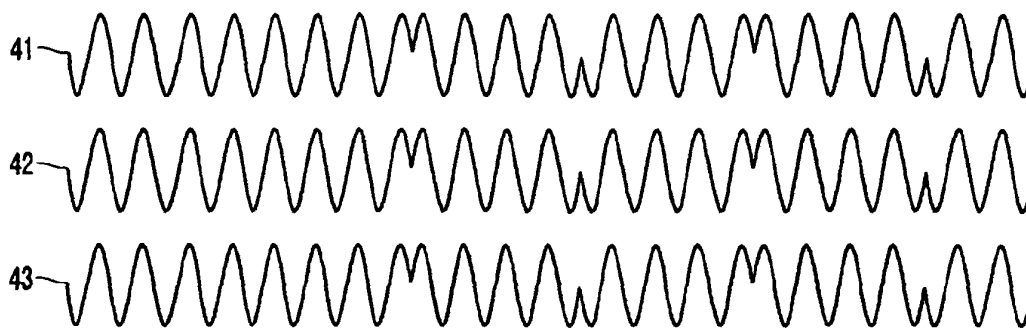


FIG. 3d 
40

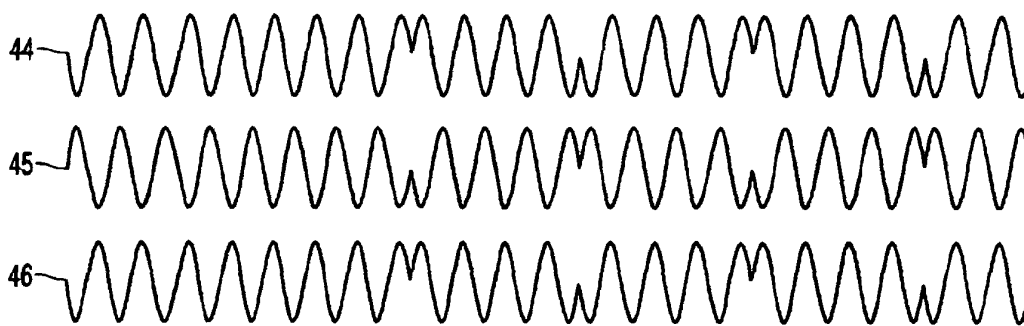
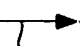


FIG. 3e 
40

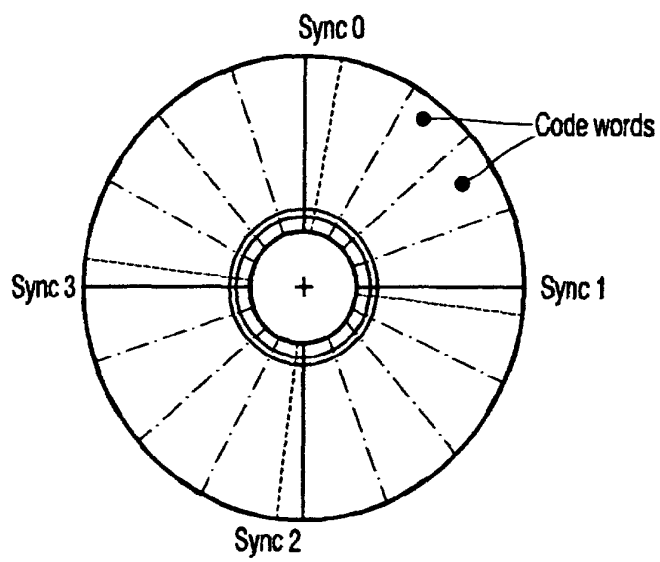


FIG. 4

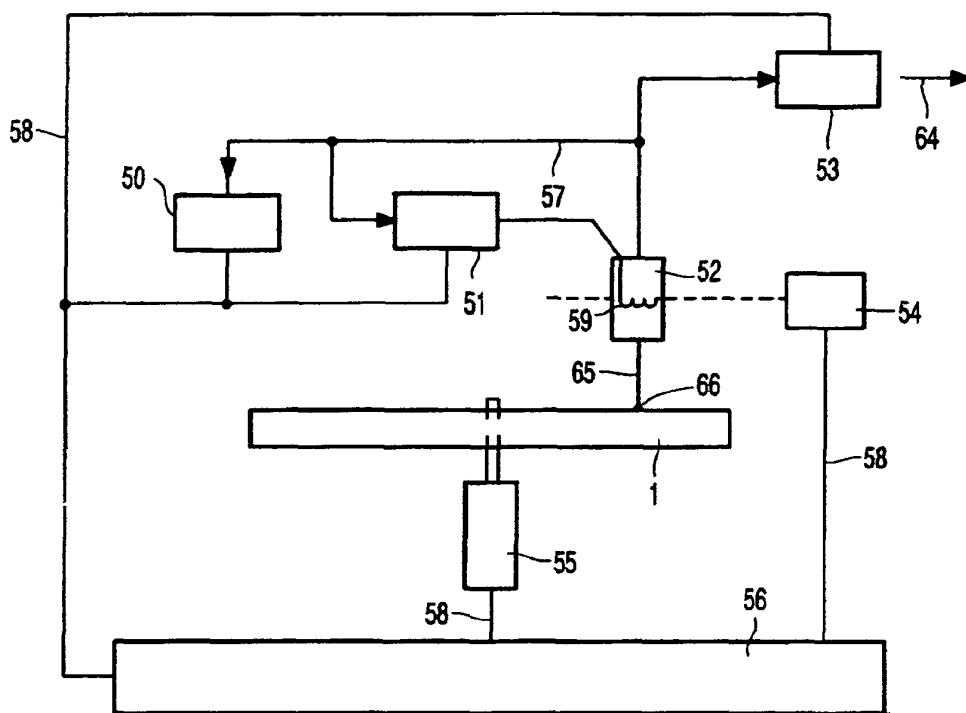


FIG. 5

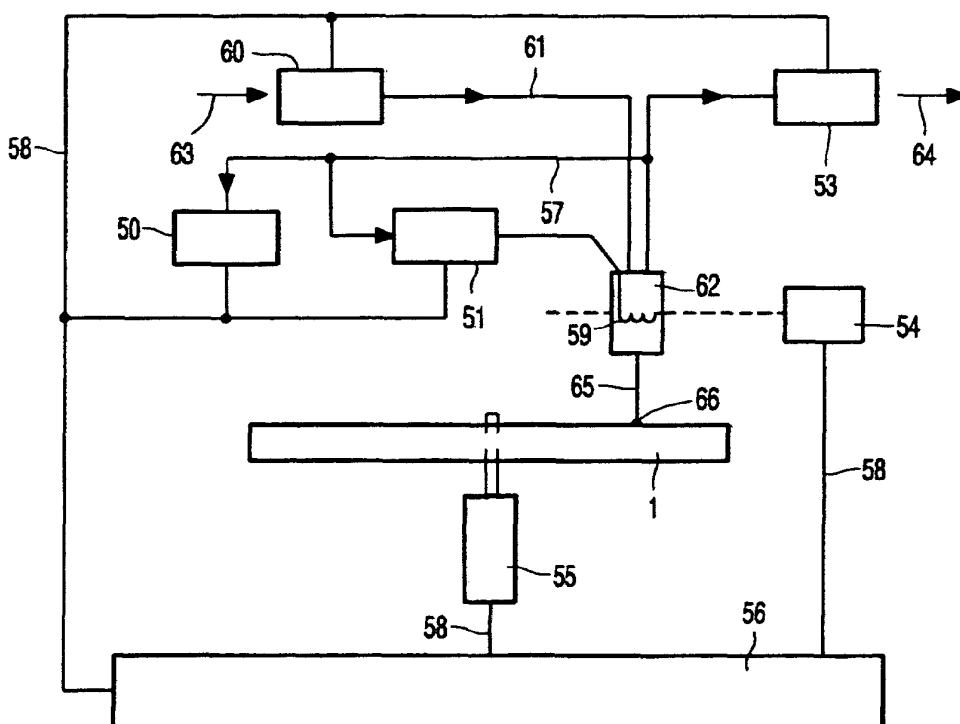


FIG. 6