

(19) World Intellectual Property Organization
International Bureau



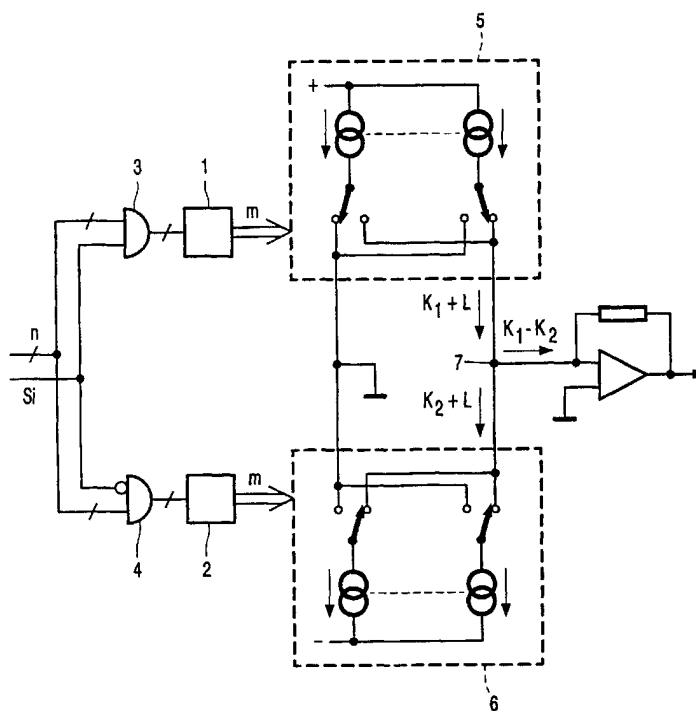
(43) International Publication Date
3 May 2001 (03.05.2001)

PCT

(10) International Publication Number
WO 01/31793 A1

- (51) International Patent Classification⁷: H03M 1/06 // 1/74
- (74) Agent: SCHOENMAKER, Maarten; Internationaal Octrooibureau B.V., Prof. Holstlaan 6, NL-5656 AA Eindhoven (NL).
- (21) International Application Number: PCT/EP00/09952
- (22) International Filing Date: 9 October 2000 (09.10.2000)
- (81) Designated States (national): CN, JP.
- (25) Filing Language: English
- (84) Designated States (regional): European patent (AT, BE, CH, CY, DE, DK, ES, FI, FR, GB, GR, IE, IT, LU, MC, NL, PT, SE).
- (26) Publication Language: English
- (30) Priority Data: 99203538.6 27 October 1999 (27.10.1999) EP
- Published:
— With international search report.
— Before the expiration of the time limit for amending the claims and to be republished in the event of receipt of amendments.
- (71) Applicant: KONINKLIJKE PHILIPS ELECTRONICS N.V. [NL/NL]; Groenewoudseweg 1, NL-5621 BA Eindhoven (NL).
- (72) Inventors: WESTRA, Jan, R.; Prof. Holstlaan 6, NL-5656 AA Eindhoven (NL). ANNEMA, Anne, J.; Prof. Holstlaan 6, NL-5656 AA Eindhoven (NL).
- For two-letter codes and other abbreviations, refer to the "Guidance Notes on Codes and Abbreviations" appearing at the beginning of each regular issue of the PCT Gazette.

(54) Title: A DIGITAL TO ANALOG CONVERTER



(57) Abstract: A digital to analog converter for a multibit digital input signal has a set of conversion elements for the positive signal excursions and a set of conversion elements for the negative signal excursions. In each set the conversion elements are selected according to a dynamic element matching algorithm. To improve the mismatch-noise shaping of these algorithms, excess conversion elements may be additionally selected.

WO 01/31793 A1

