

gal

by Gal Gal

Submission date: 18-May-2021 11:35PM (UTC+0700)

Submission ID: 1588899640

File name: IJISRT20AUG354.pdf (762.9K)

Word count: 3482

Character count: 16466

$$S_s = p \cdot q \cdot m$$

calculate *Stator tooth* (W_{ts}):

$$W_{ts} = \frac{p \cdot B_g \cdot A_{pr}}{S_s L_i B_{ts}}$$

Calculate area of rotor *pole* (A_{pr}):

$$A_{pr} = \tau_p \cdot L_i$$

Stator pole pitch τ_p :

$$\tau_p = \frac{\pi D}{p}$$

Effective length *core* L_i :

$$L_i = L \cdot K_{stack}$$

Diameter Rotor D_r :

$$D_r = D - 2 \cdot l_g$$

Stator yoke Y_s :

$$Y_s = \frac{\phi}{2L_1 B_{ts}}$$

Wide hole stator A_{ss} :

$$A_{ss} = \frac{A_w N_s}{FF}$$

Calculate the area of a conductor's path:

$$A_w = \frac{l_{ph}}{J}$$

Calculate the diameter of a conductor d_w :

$$d_w = \sqrt{\frac{4 \cdot A_w}{\pi}}$$

$$b_{s1} = \frac{\pi(D_i + 2h_{os} + 2h_w)}{S_s} - b_{ts}$$

$$b_{s2} = \sqrt{4 \cdot A_{ss} \cdot \tan \frac{\pi}{S_s} + b_{s1}^2}$$

$$h_s = \frac{2 \cdot A_{ss}}{b_{s1} + b_{s2}}$$

Out side diameter D :

$$D_o = D + 2 \cdot (h_s + h_{os} + h_w + Y_s)$$

Magnetic Thickness:

$$PC = \frac{t_m}{l_g C_\phi}$$

Factor concentration flux:

$$C_\phi = \frac{A_m}{A_g} = \frac{2\alpha_m}{1 + \alpha_m}$$

Wide air gap:

$$\alpha_m = \frac{\tau_m}{\tau_p}$$

b. Test Variable

The test variable is a generator testing variable in the form of input from the generator and generator load..

1. Input Generator

The test variable for generator input is based on non-constant air and water flow velocity, so that the generator is tested with different speeds, namely a range of 100 rpm - 1000 rpm.

2. Load Generator

The generator is connected to the load which aims to produce the current value as well as to find out the power produced by the generator. In addition, the provision of load also aims to determine the characteristics and efficiency of the generator. In this case the load given is 5 ohms - 20 ohms.

C. Design and Simulation

Mathematical calculations of permanent magnet generators are calculations to obtain values from the size or geometry of the generator. This mathematical calculation will produce a measure of the dimensions of the permanent magnet generator, namely D^2L , where L is the core length and D is the diameter of the air gap. In addition to producing the main dimensions, the calculation will also produce stator, rotor and magnet size values. This calculation requires parameters as shown in table 1 below.

Power, P	500 Watt / 588 VA
Specific magnetic loading, Bg	0,9 T
Specific electric loading, ac	12.000 A/m
The angular velocity, Ns	500 rpm / 8,3 rps
Winding factor, k_w	0.945
Power factor, $\cos \theta$	0.85
Number of Phasa, N_{ph}	3
Frekuensi, f	50 Hz
Flux Density in Stator teeth, B_{ts}	1.5 T

Tabel 1:- Input parameter perhitungan Matematis Generator

From the input parameters above, obtained the geometry specifications of the permanent magnet generator shown in table 2.

Stator outer diameter (D_b)	190 mm
Inside diameter of the slot hole (D_e)	170 mm
Inside diameter of the stator (D_c)	110 mm
Air gap stator and rotor (l_g)	1 mm
Outer diameter of the rotor (D_r)	108 mm
Magnetic outer diameter (D_i)	105 mm
Inner diameter of the magnet (D_a)	98 mm
Diameter shaft	20 mm
Magnet length	16 mm
Magnet Thickness (L_m)	4 mm
Teeth Length	26.9 mm
Teeth height (L_t)	3 mm
Teeth Width (W_{ts})	11 mm
Distance between slots (L_{tg})	4.15 mm
Stator and rotor core length (L_a), magnet (L_h)	52 mm
Thick Yoke (Y_s)	10 mm
Number of pole (p)	16 pole
Number of slot (Q_s)	18 slot

Table 2:- Geometry specifications of permanent magnet generators

From the above specifications, the permanent magnet synchronous generator stator is designed as shown in Figure 2. and the results of the rotor design are shown in Figure 3.

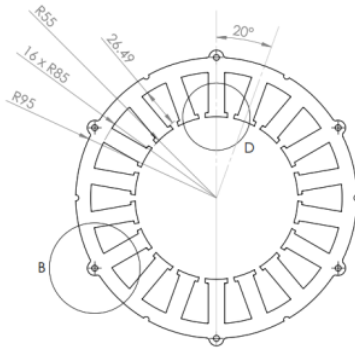


Fig 2:- Stator 18 slot 2D permanent synchronous generator design results

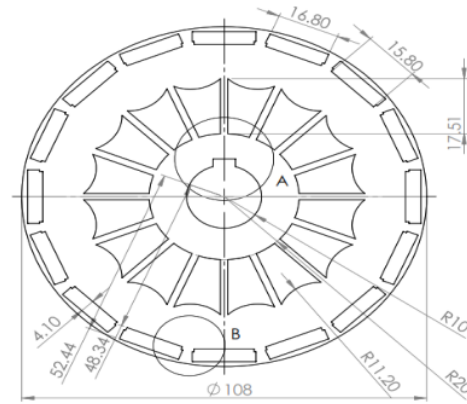


Fig 3:- The design of a 16 pole rotor 2D permanent magnet generator

The geometry design of permanent magnet generators will be given the composite material for each component. The components of a permanent magnet generator consist of the air box, stator, air gap, rotor, magnet, cooler, and shaft. The material making up the simulation of a permanent magnet generator is shown in table 3.

Komponen	Material
Stator	Non-Oriented M1000-100A Silicon Steel
Rotor	Non-Oriented M1000-100A Silicon Steel
Air Box dan Air Gap	Air
Permanent Magnet	Neodymium Iron Boron: 48/11
Coil	Copper: 5.77e7 Siemens/Meter
Shaft	Air

Table 3:- Composite Material simulation of permanent magnet generator

Giving material to the stator and rotor is soft magnet material, this material shows its magnetic characteristics only when subjected to magnetic forces such as magnetic fields generated by permanent magnets or currents that cross the coil that surrounds these laminates. The most widely used soft magnet is silicon steel. The presence of silicon in steel can increase the resistivity volume to reduce eddy currents and reduce hysteresis. The silicon content in steel is approximately 0.5% -3.25%. In addition, the use of soft magnetic materials also reduces the reluctance of the magnetic circuit, increases the saturation of the flux density, reduces losses and increases in temperature.

Figure 4 shows the results of designing a permanent magnet generator on the Magnet software.

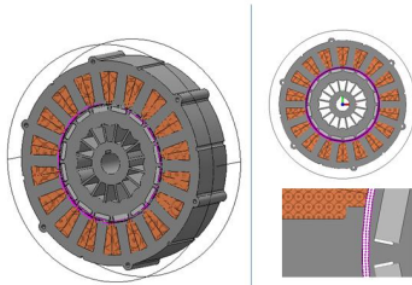


Fig 4:- Permanent magnet generator in the Magnet software

The generator works by changing the input in the form of rotational speed or angular speed (radians per second) and torque (Newton meters), producing an output in the form of a voltage (volts) and currents (amperes). The generator rotates with input through shafts from the turbine. Input from the turbine is turbine rotational speed, and torque is given.

In the simulation various variations of angular velocity will be tried. The parameters set in this simulation are the angular rotor speed (ω), and time. The speeds that were tried in the simulation were speeds at 50 rpm, 250 rpm, 500 rpm, 750 rpm and 1000 rpm.

The rotor is part of a rotating generator. The rotor will rotate by 360° for 1 spin. Rotational speed in units of rpm (rotation per minute) means that in one minute the rotor will rotate once, then it will be changed in units of degrees per second wherein one second the rotor will rotate by 360°, so that,

$$50 \text{ rpm} \rightarrow \frac{50 \text{ rpm} \times 360^\circ}{60 \text{ s}} = 300^\circ/\text{s}$$

$$250 \text{ rpm} \rightarrow \frac{250 \text{ rpm} \times 360^\circ}{60 \text{ s}} = 1500^\circ/\text{s}$$

$$500 \text{ rpm} \rightarrow \frac{500 \text{ rpm} \times 360^\circ}{60 \text{ s}} = 3000^\circ/\text{s}$$

$$750 \text{ rpm} \rightarrow \frac{750 \text{ rpm} \times 360^\circ}{60 \text{ s}} = 4500^\circ/\text{s}$$

$$1000 \text{ rpm} \rightarrow \frac{1000 \text{ rpm} \times 360^\circ}{60 \text{ s}} = 6000^\circ/\text{s}$$

The designed permanent magnet generator is an 18s16p permanent magnet generator, so to form one sinusoidal wave the rotor only needs to spin around $360^\circ / 8 = 45^\circ$. In this simulation the rotor will be rotated per 30°, so it needs to know-how much time it takes the rotor to rotate for 30°.

Time at a speed of 300 rps when the rotor rotates 30°:

Waktu pada kecepatan 300 rps saat rotor berputar 30°

$$\rightarrow \frac{3^\circ \times 1 \text{ s}}{300^\circ} = 0.01 \text{ s}$$

Time at a speed of 1500 rps when the rotor rotates 30°:

Waktu pada kecepatan 1500 rps saat rotor berputar 30°

$$\rightarrow \frac{3^\circ \times 1 \text{ s}}{1500^\circ} = 0.002 \text{ s}$$

Time at a speed of 3000 rps when the rotor rotates 30°:

Waktu pada kecepatan 3000 rps saat rotor berputar 30°

$$\rightarrow \frac{3^\circ \times 1 \text{ s}}{3000^\circ} = 0.001 \text{ s}$$

Time at a speed of 4500 rps when the rotor rotates 30°:

Waktu pada kecepatan 4500 rps saat rotor berputar 30°

$$\rightarrow \frac{3^\circ \times 1 \text{ s}}{4500^\circ} = 0.000667 \text{ s}$$

Time at a speed of 6000 rps when the rotor rotates 30°:

Waktu pada kecepatan 6000 rps saat rotor berputar 30°

$$\rightarrow \frac{3^\circ \times 1 \text{ s}}{6000^\circ} = 0.0005 \text{ s}$$

Magnet Software will simulate a start time from the above results. The rotor will rotate 45° to form one sinusoidal wave, so because the simulation is calculated every 30° then $45^\circ / 3^\circ = 15$, there will be 15 calculation data to form a sinusoidal wave, therefore it is necessary to determine the stop time of the simulation. To calculate stop time as follows :

- Time stops at 300 rps: $15 \times 0.01 = 0.15$
- Time stops at 1500 rps: $15 \times 0.002 = 0.03$
- Time stops at 3000 rps: $15 \times 0.001 = 0.015$
- Time stops at 4500 rps: $15 \times 0.000667 = 0.010005$
- Time stops at 6000 rps: $15 \times 0.0005 = 0.0075$

From the above calculation, we get the input parameters of permanent magnet generator on the Magnet software. The following calculation data is summarized in table 4.

RPM	RPS	Stop Time	Interval/3°
50	300	0.15	0.01
250	1500	0.03	0.002
500	3000	0.015	0.001
750	4500	0.010005	0.000667
1000	6000	0.0075	0.0005

Table 4:- Input Simulation parameters in Magnet software

1. Generator Circuits in Magnet Software

Making the circuit is the stage of making a circuit that is in a generator. The generator consists of 18 slots, this means there are 18 coils that will be connected to make 3 phases. In this design, the circuit configuration that will be made is a star configuration consisting of 6 series and 3 parallel so that it will get 3 phases.

In this study, a no-load circuit was created and a circuit with a load. For a no-load circuit will produce an inter-phase voltage value and the average DC the voltage used to

determine the Back EMF constant, while a circuit with a load will produce voltage and current so that the power will be generated by the generator. The load used is the load on the obstacles 5 Ω, 10 Ω, 15 Ω, 20 Ω. Figure 5 shows the circuit without load and Figure 6 shows the circuit with a load.

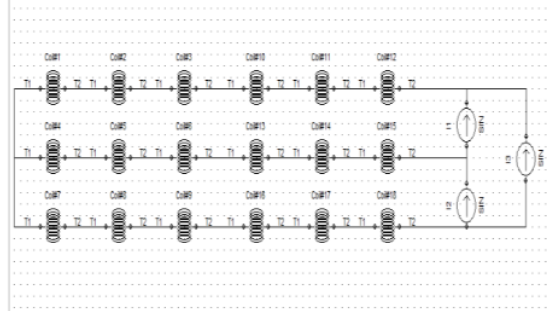


Fig 5:- Circuit Without load

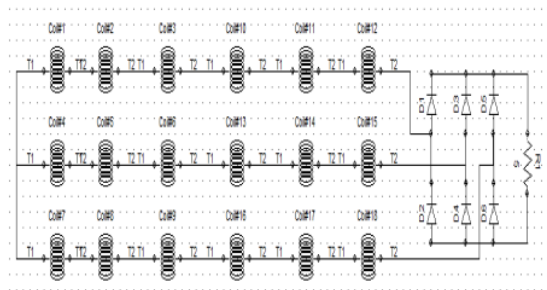


Fig 6:- Circuit With a load

III. RESULT AND DISCUSSION

A. Voltage and Back EMF Constant

Table 5 shows a summary of the voltage produced by the generator at each speed. This data shows that the faster the rotor in the generator rotates, the greater the voltage generated. This is in accordance with the rules of the right hand.

In this no-load simulation, the result is only a voltage and does not produce a current, because the generator is not connected to the load. There is value of K_e or Back EMF constant which indicates that this generator is the same generator with different tests.

Speed (rpm)	Average Voltage (V)	K_e
50	11.30458	2.16
250	56.52263	2.16
500	113.0445	2.16
750	169.5258	2.16
1000	226.0858	2.16

Table 5:- Voltage produced by the generator at each speed

B. Input Power

The test results as shown in table 6, if the load increases, the torque will be smaller, so the impact on input power.

Speed (rpm)	Input Power (P.In) watt			
	5 Ω	10 Ω	15 Ω	20 Ω
50	24.186	15.18726	11.5012	9.505
250	356.1318	263.4993	203.8163	171.0234
500	744.1821	738.532	645.0334	547.0084
750	1020.257	1144.466	1122.992	1018.604
1000	1160.117	1474.974	1504.114	1510.637

Table 6:- Input Power

In this test when the speed is less than 500 rpm, if the load increases the torque is smaller so that the input power decreases. While at speeds of 750 rpm to 1000 rpm, the generator has a peak load at a load of 10 Ω, can be seen in Figure 7 and table 6.

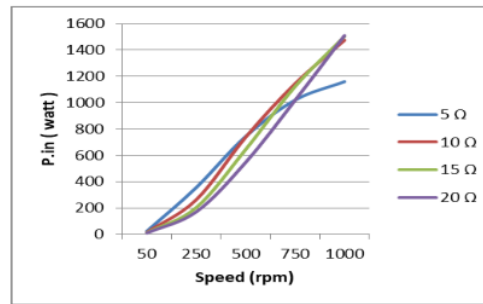


Fig 7:- Graph of Input Power to Speed

C. Output Power

Output power is the result of the conversion of angular velocity (ω) and torque (τ) which produces voltage (V) and Current (I) by the generator. Table 7 shows the values of the output power with load variations at angular speeds of 50 rpm to 1000 rpm.

Speed (rpm)	Output Power (P. Out) watt			
	5 Ω	10 Ω	15 Ω	20 Ω
50	16.77699	10.00969	7.100117	5.4283
250	275.6034	208.7378	161.0911	136.2341
500	551.8332	580.791	514.4797	428.9553
750	742.2479	870.5873	878.2817	803.9555
1000	822.104	1103.002	1145.662	1170.53

Table 7:- Output Power

Figure 8 presents the data in graphical form, it appears that the higher the speed, the value of the power produced is also greater, but the generator also has a maximum load level, this can be seen in the variation of the speed of loading, such as the speed of 500 rpm. At a speed of 500

rpm, if the generator is given a load of 5 Ω - 10 Ω the resulting in power increases, but after being given an increase in load from 10 Ω - 20 Ω the resulting in power decreases, this also occurs in other speed variations. From the results of this experiment, if you want to optimize the performance of the generator, then the generator must function according to a certain speed and loading, so that the generator can work optimally.

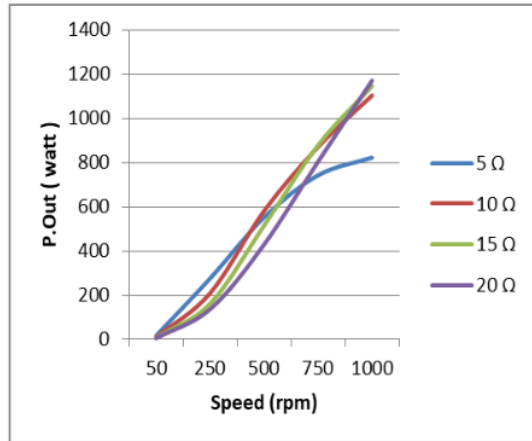


Fig 8:- Graph of Output Power Against Speed

D. Efisiensi

The simulation results of the efficiency of the generator that have been designed are shown in table 3.4. The efficiency of this generator changes due to the influence of the input value which is in the form of changing speed so that the generator torque also changes. In addition to the conversion into electricity, there are losses in the form of Eddy currents and iron losses in the stator and rotor material.

Speed (rpm)	Efficiency (η)			
	5 Ω	10 Ω	15 Ω	20 Ω
50	0.6936	0.659	0.6173	0.5719
250	0.77388	0.792	0.7904	0.796581
500	0.74153	0.7864	0.7976	0.7841
750	0.7275	0.760693	0.782	0.7893
1000	0.7086	0.7478	0.7617	0.7748

Table 8:- Efficiency

From the simulation data in table 3.4, it can be seen that the worst efficiency occurs when the load is 20 Ω at 50 rpm because it is only able to convert 57% energy. at the speed of 500 rpm, the smallest efficiency when loading 5 Ω is equal to 0.72%. The best efficiency occurs when loading 15 "at a speed of 500 rpm converts 79.76% of energy. In detail, it can be seen in Figure 9.

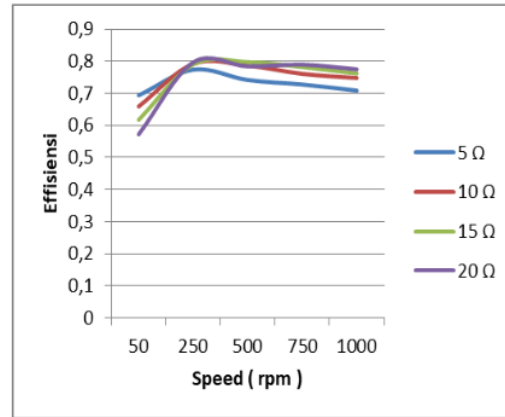


Fig 9:- Efficiency Curves Against Speed

IV. CONCLUSION

This permanent magnet generator mini design has been successfully designed with a back-emf constant value of 2.16, with the number of turns obtained the highest power produced at a speed of 500rpm is 580,791 watts. While the highest output power generated by the generator is at a speed of 1000 rpm which is 1170.53 watts, and the lowest power at a speed of 50 rpm, which is equal to 5,4283 watts. The highest efficiency of this permanent magnet generator is 79.76%.

REFERENCES

- [1]. *Indonesia Energy Outlook, 2016*. Badan Pengkajian dan Penerapan Energi, Indonesia. 2016.
- [2]. LAN (2014). *Pengenalan Teknologi Energi Angin*. PT. Lentera Angin Nusantara
- [3]. T. Rovio, H. Vihriälä, L. Söderlund, and J. Kriikka, "Axial and Radial Flux Generators in Small-Scale Wind Powerproduction," *J. Chem. Inf. Model.*, vol. 53, no. 9, pp. 1689–1699, 2013.
- [4]. B. J. Chalmers, W. Wu, and E. Spooner, "An axial-flux permanent-magnet generator for a gearless wind energy system," *IEEE Trans. Energy Convers.*, vol. 14, no. 2, pp. 251–256, 1999.
- [5]. E. Spooner, A. C. Williamson, and G. Catto, "Modular design of permanent-magnet generators for wind turbines," *IEE Proc. Electr. Power Appl.*, vol. 143, no. 5, pp. 388–393, 1996.
- [6]. G. C. Lee, S. M. Kang, and T. U. Jung, "Permanent magnet structure design of outer rotor radial flux permanent magnet generator for reduction cogging torque with design of experiment," *2013 Int. Conf. Electr. Mach. Syst. ICEMS 2013*, pp. 315–319, 2013.

- [7]. Parviainen, Asko. 2005. Design Of Axial-Flux Permanent-Magnet Low-Speed Machine And Performance Comparison Between Radial-Flux And Axial-Flux Machine. Tesis. Lappeenranta: Lappeenranta University Of Technology.
- [8]. Anam, M. Chairul. 2016. *Perancangan Generator 100 Watt Menggunakan Software Elektromagnetik Infolytica*. Skripsi. Malang: Jurusan Teknik Elektro Fakultas Teknik Universitas Muhammadiyah Malang.
- [9]. Utomo, Agus R. Mesin Sinkron, Diktat Kuliah Teknik Tenaga Listrik, Departemen Teknik Elektro, Universitas Indonesia..
- [10]. Chapman, S. J. 2005. *Electric Machinery Fundamental*. Fifth Edition. Australia: McGraw-Hill.
- [11]. Handershot, J. R dan Miller, TJE. 1994. *Design Of Brushless Permanent Magnet Motor*. Oxford: Clarendon Press dan Magna Physics publishing.
- [12]. Azka, Mukhdil. 2013. *Analisis Perancangan Dan Simulasi Generator Sinkron Magnet Permanen Dengan Rotor Berlubang*. Skripsi. Depok: Program Studi Teknik Elektro Fakultas Teknik Universitas Indonesia.
- [13]. Kenjo, T and Nagamori, T. 1985. *Permanent-Magnet and Brushless DC Motors*. New York : Oxford University Press.
- [14]. Simanjuntak, P. 2016. *Perancangan Motor Thosiba*. Lentera Angin Nusantara
- [15]. I. Boldea, and A. N. Syed, *The Induction Machine Handbook, Electronic Edition ed*. New York, USA : CRC Press LLC, 2002.

ORIGINALITY REPORT

8%

SIMILARITY INDEX

4%

INTERNET SOURCES

7%

PUBLICATIONS

%

STUDENT PAPERS

PRIMARY SOURCES

- 1 S S Wibowo, M Saputra, A H Santoso, N Rosidah, A Arinda. "Finite element modeling and analytic algorithm for electromagnetic performance of Permanent Magnet Synchronous Generator (PMSG) 24 Slot 16 poles from modification of induction motor 0, 75kw 3 Phase", IOP Conference Series: Materials Science and Engineering, 2021
Publication

3%
- 2 ijisrt.com
Internet Source

3%
- 3 Imam Djunaedi, Hilman Syaeful Alam, Aditya Sukma Nugraha. "Magnetic Evaluation for Uprating 400 mW Coal Fired Generator", Applied Mechanics and Materials, 2015
Publication

1%
- 4 Satryo Budi Utomo, Januar Fery Irawan, Widyono Hadi, Dendy Sandrolis Amam. "Design of a single-phase flux radial generator with opposite poles (U-S) using permanent Neodymium magnet (NdFeB)", IOP

1%

Conference Series: Materials Science and Engineering, 2021

Publication

Exclude quotes On

Exclude matches < 1%

Exclude bibliography On