



Review

# Chromosome Translocations, Gene Fusions, and Their Molecular Consequences in Pleomorphic Salivary Gland Adenomas <sup>†</sup>

Göran Stenman <sup>1,\*</sup>, Andre Fehr <sup>1</sup>, Alena Skálová <sup>2,3</sup>, Vincent Vander Poorten <sup>4,5,‡</sup>, Henrik Hellquist <sup>6,7,8</sup>, Lauge Hjorth Mikkelsen <sup>9</sup>, Nabil F. Saba <sup>10</sup>, Orlando Guntinas-Lichius <sup>11</sup>, Carlos Miguel Chiesa-Estomba <sup>12</sup>, Mattias K. Andersson <sup>1</sup> and Alfio Ferlito <sup>13</sup>

- <sup>1</sup> Sahlgrenska Center for Cancer Research, Department of Pathology, University of Gothenburg, SE-405 30 Gothenburg, Sweden
- <sup>2</sup> Department of Pathology, Faculty of Medicine, Charles University, 301 66 Plzen, Czech Republic
- <sup>3</sup> Bioptic Laboratory, Ltd., 305 99 Plzen, Czech Republic
- <sup>4</sup> Otorhinolaryngology-Head and Neck Surgery, University Hospitals Leuven, 3000 Leuven, Belgium
- <sup>5</sup> Department of Oncology, Section Head and Neck Oncology, KU Leuven, 3000 Leuven, Belgium
- <sup>6</sup> Faculty of Medicine and Biomedical Sciences (FMCB), University of Algarve, 8005-139 Faro, Portugal
- <sup>7</sup> Algarve Biomedical Center Research Institute (ABC-RI), 8005-139 Faro, Portugal
- <sup>8</sup> Northern Lincolnshire and Goole NHS Foundation Trust, Lincoln DN15 7BH, UK
- <sup>9</sup> Department of Pathology, Copenhagen University Hospital, 2100 Copenhagen, Denmark
- <sup>10</sup> Department of Hematology and Medical Oncology, The Winship Cancer Institute, Emory University, Atlanta, GA 30322, USA
- <sup>11</sup> Department of Otorhinolaryngology, Jena University Hospital, 07747 Jena, Germany
- <sup>12</sup> Department of Otorhinolaryngology-Head and Neck Surgery, Hospital Universitario Donostia, Biodonostia Research Institute, University of Deusto, 20014 San Sebastian, Spain
- <sup>13</sup> Coordinator of the International Head and Neck Scientific Group, 35122 Padua, Italy
- \* Correspondence: [goran.stenman@gu.se](mailto:goran.stenman@gu.se)
- † This article was written by members and invitees of the International Head and Neck Scientific Group ([www.IHNSG.com](http://www.IHNSG.com)).
- ‡ V.V.P. is a member of the European Reference Network for Rare Adult Solid Cancers (EURACAN).



**Citation:** Stenman, G.; Fehr, A.; Skálová, A.; Vander Poorten, V.; Hellquist, H.; Mikkelsen, L.H.; Saba, N.F.; Guntinas-Lichius, O.; Chiesa-Estomba, C.M.; Andersson, M.K.; et al. Chromosome Translocations, Gene Fusions, and Their Molecular Consequences in Pleomorphic Salivary Gland Adenomas. *Biomedicines* **2022**, *10*, 1970. <https://doi.org/10.3390/biomedicines10081970>

Academic Editor: Jun Lu

Received: 21 July 2022

Accepted: 11 August 2022

Published: 14 August 2022

**Publisher's Note:** MDPI stays neutral with regard to jurisdictional claims in published maps and institutional affiliations.



**Copyright:** © 2022 by the authors. Licensee MDPI, Basel, Switzerland. This article is an open access article distributed under the terms and conditions of the Creative Commons Attribution (CC BY) license (<https://creativecommons.org/licenses/by/4.0/>).

**Abstract:** Salivary gland tumors are a heterogeneous group of tumors originating from the major and minor salivary glands. The pleomorphic adenoma (PA), which is the most common subtype, is a benign lesion showing a remarkable morphologic diversity and that, upon recurrence or malignant transformation, can cause significant clinical problems. Cytogenetic studies of >500 PAs have revealed a complex and recurrent pattern of chromosome rearrangements. In this review, we discuss the specificity and frequency of these rearrangements and their molecular/clinical consequences. The genomic hallmark of PA is translocations with breakpoints in 8q12 and 12q13-15 resulting in gene fusions involving the transcription factor genes *PLAG1* and *HMGA2*. Until recently, the association between these two oncogenic drivers was obscure. Studies of the Silver–Russel syndrome, a growth retardation condition infrequently caused by mutations in *IGF2/HMGA2/PLAG1*, have provided new clues to the understanding of the molecular pathogenesis of PA. These studies have demonstrated that *HMGA2* is an upstream regulator of *PLAG1* and that *HMGA2* regulates the expression of *IGF2* via *PLAG1*. This provides a novel explanation for the 8q12/12q13-15 aberrations in PA and identifies *IGF2* as a major oncogenic driver and therapeutic target in PA. These studies have important diagnostic and therapeutic implications for patients with PA.

**Keywords:** pleomorphic adenoma; chromosome translocation; chromosome 8q12; chromosome 12q13-15; gene fusion; *PLAG1*; *HMGA2*; *IGF2*; diagnostic biomarker; therapeutic target

## 1. Introduction

Salivary gland tumors are a large and heterogeneous group of neoplasms originating from the major salivary glands (the parotid, submandibular, and sublingual glands) as well as from the numerous minor salivary glands in the oral mucosa and upper aerodigestive tract. The diversity of histologic subtypes originating from these glands is remarkable and there are more than 30 known histological subtypes of benign and malignant salivary gland tumors of which the pleomorphic adenoma (PA) is the most common [1,2]. Mucoepithelioid carcinomas and adenoid cystic carcinomas are the two most common malignant salivary gland tumors.

PA is a benign rather slow-growing epithelial tumor of which approximately three-quarters are located in the parotid gland. They can occur in all age groups but most often in the 5th and 6th decades and with a slight female predominance [3,4]. The etiology is unknown but there is a reported association to radiation exposure [5,6]. PAs are usually encapsulated and are recognized for their morphological diversity [7]. They are composed of ductal epithelial and myoepithelial cells growing in a variety of patterns in a stroma that is often mucoid, myxoid, hyalinized, or chondroid. Some tumors may be predominantly cellular with only scanty stroma. Mitotic figures are rare. PA frequently shows metaplastic changes, of which squamous metaplasia is the most common. Oncocytic and sebaceous metaplasia are other frequent metaplastic changes that can confuse in the diagnostic work up [8]. Because of the broad morphological spectrum of PAs, they may sometimes mimic malignancy and show morphological/architectural overlap with for example adenoid cystic carcinoma and polymorphous adenocarcinoma [8].

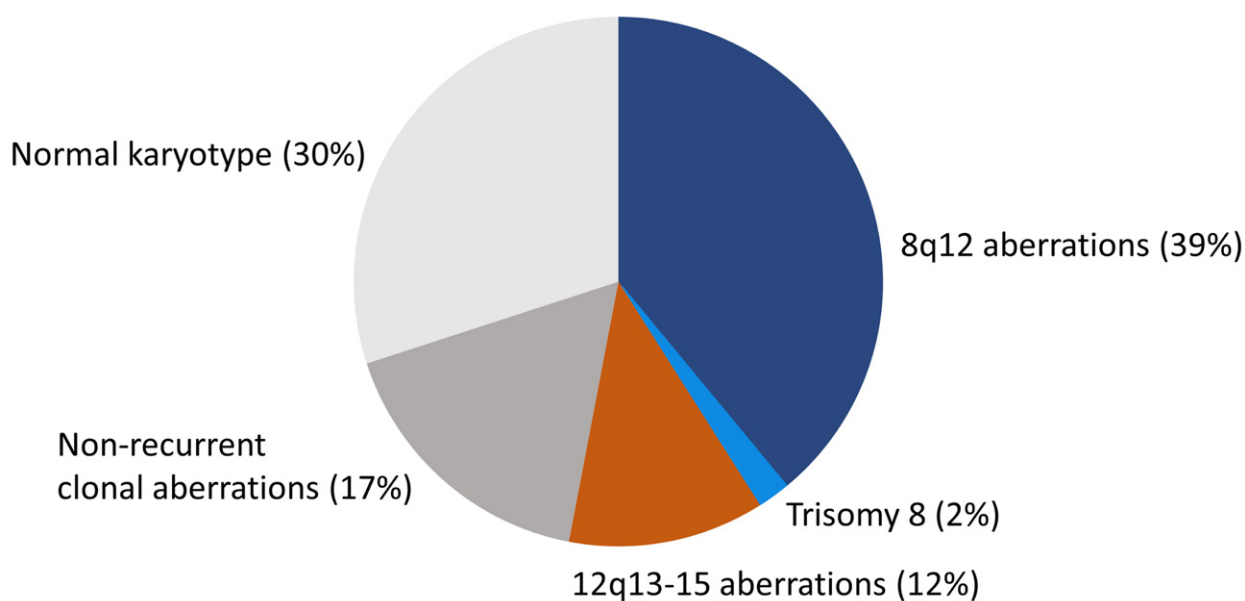
PAs may undergo malignant transformation to carcinoma-ex-PA (CXPA). The risk of malignant transformation is greater in long-standing or recurrent tumors and occurs in about 12% of recurrent PAs [9]. CXPA is usually a high-grade tumor with rapid and aggressive growth and frequent recurrences and metastases. The carcinoma component can be of any type, most often salivary duct carcinoma (SDC), myoepithelial carcinoma (MECA), or adenocarcinoma NOS.

PA was the first benign epithelial tumor in which characteristic chromosome translocations and gene fusions were identified [10–15]. Recurrent t(3;8)(p21;q12) and t(9;12)(p23-24;q14-15) translocations were shown to be early cytogenetic events [16]. Subsequent molecular cloning of the translocation breakpoints in these and other translocations in PA revealed that they consistently result in gene fusions. The prime molecular targets of these translocations are the transcription factor genes *PLAG1* (Pleomorphic Adenoma Gene 1; located in 8q12) and *HMG2* (High Mobility Group AT-Hook 2; located in 12q14-15) [11–13,17–19]. Notably, the early cytogenetic and molecular genetic studies of translocations in PA during the 80s and 90s paved the way for the discovery of a diagnostically relevant gene fusion network in PA as well as in several other subtypes of salivary gland tumors [18,20,21]. The aim of this paper is to review the comprehensive literature on chromosome translocations/rearrangements and gene fusions in PA and to discuss their molecular consequences and clinical significance.

## 2. The Cytogenetic Landscape of PA

### 2.1. Overview of the Chromosomal Pattern in PA

PA is cytogenetically the best-studied benign epithelial neoplasm. Studies by in particular two groups have revealed a consistent pattern of chromosome translocations/rearrangements in about 70% of the cases [10,14,16,19,22–36]. The remaining 30% have shown normal karyotypes without visible chromosome rearrangements (Figure 1). Detailed analysis of high-resolution banded chromosomes have failed to detect cytogenetic alterations in these PAs. However, molecular analyses have unequivocally demonstrated that they have submicroscopic changes, including inversions, small insertions, or deletions resulting in gene fusions (see below) [13,19,37,38].



**Figure 1.** The cyto-genetic landscape of PA. Pie chart showing the different cyto-genetic subgroups and their frequencies in PA.

The *Mitelman Database of Chromosome Aberrations and Gene Fusions in Cancer* contains cyto-genetic data from 354 salivary gland PAs with abnormal karyotype [36]. Since tumors with normal karyotypes ( $\approx 30\%$ ) are not included in the database, the total number of PAs that have been cyto-genetically characterized is more than 500 [10,14,16,19,22–35]. PAs with an abnormal karyotype form four major subgroups: (i) tumors with translocations/rearrangements involving chromosome 8q12 ( $\approx 39\%$ ), (ii) tumors with translocations/rearrangements involving chromosome 12q13-15 ( $\approx 12\%$ ), (iii) tumors with complete or partial trisomy 8 ( $\approx 2\%$ ), and (iv) tumors with non-recurrent clonal aberrations without involvement of 8q12 or 12q13-15 ( $\approx 17\%$ ) (Figure 1).

The  $t(3;8)(p21;q12)$  translocation is the most common aberration in the 8q12 subgroup ( $\approx 47\%$ ), followed by  $t(8;9)(q12;p22-24)$  or the related  $ins(9;8)(p23;q11q12)$  ( $\approx 10\%$ ),  $t(5;8)(p13-15;q12)$  ( $\approx 4\%$ ),  $t(6;8)(p21-22;q12)$  ( $\approx 3\%$ ),  $t(8;10)(q12;q22-23)$  ( $\approx 2\%$ ), and  $t(8;15)(q12;q26)$  ( $\approx 2\%$ ). There is also a variety of 8q12 variant translocations with other less frequent translocation partners.

The  $t(9;12)(p21-23;q13-15)$  and the related  $ins(9;12)(p23;q14q15)$  or  $ins(12;9)(q15;p24p22)$  ( $\approx 16\%$ ) are the most common aberrations in the 12q13-15 subgroup, followed by  $t(3;12)(p12-14;q14-15)$  ( $\approx 5\%$ ),  $t(6;12)(q21-23;q14-15)$  ( $\approx 5\%$ ),  $inv(12)(p11-13q13-14)$  ( $\approx 5\%$ ), and  $inv(12)(q13-15q23-24)$  ( $\approx 5\%$ ). Similar to the 8q12 subgroup, there are also several different 12q13-15 variant translocations with other less frequent translocation partners.

Trisomy 8 forms the smallest subgroup of PAs. In 65% of these cases, +8 is seen as the sole aberration. In the remaining cases, it is seen together with other aberrations, in particular 12q13-15 rearrangements. In addition to trisomy 8, there are also several cases reported with partial gain of one to four copies of chromosome 8 in the form of ring chromosomes  $r(8)(p12q12)$  (see below) [39]. Complete or partial trisomy 8 is the only major numerical aberration found in PA.

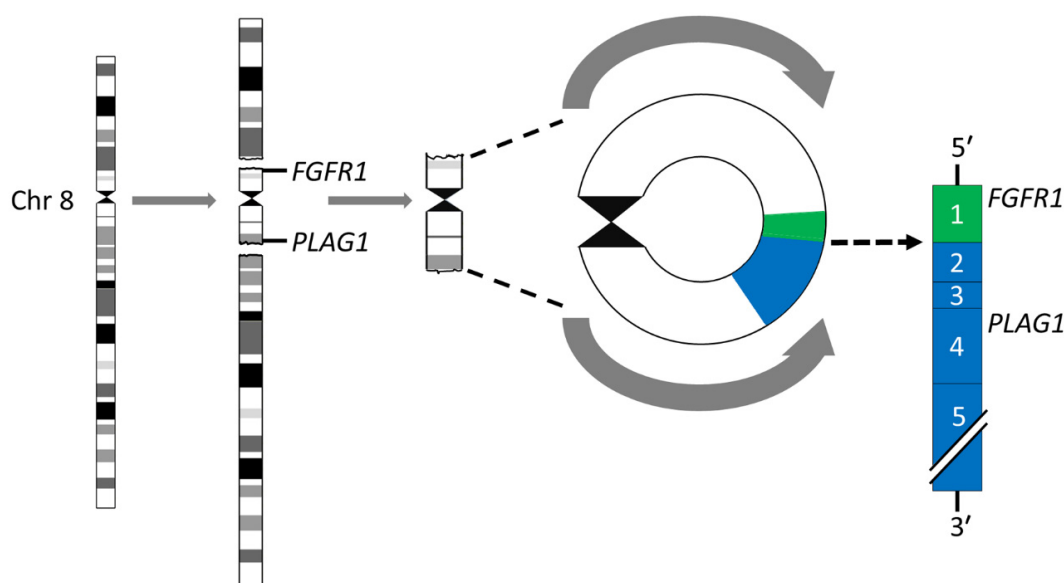
The fourth major subgroup of PAs consists of tumors with non-recurrent clonal aberrations without the involvement of 8q12 or 12q13-15. This is a heterogeneous group of tumors some of which have a single translocation as the sole deviation whereas others have more complex karyotypes with both structural and numerical aberrations. The molecular pathogenesis of these tumors remains to be elucidated. However, previous studies have indicated that at least some of these cases have cryptic rearrangements involving 8q12 [38].

### 2.2. Double Minute Chromosomes and Homogeneously Staining Regions

A subset of PAs with 12q13-15 aberrations, in particular those with del(12)(q13q15), show cytogenetic evidence of gene amplification in the form of double minute chromosomes (dmin) and homogeneously staining regions (hsr) [35,40–42]. Detailed molecular characterization of these aberrations have shown that the prime targets of the amplifications are the *HMGA2* and *MDM2* genes [42]. Other less frequently co-amplified genes are *WIF1*, *TSPAN31*, *CDK4*, and *GLI1*. Notably, in several cases a cryptic *HMGA2::WIF1* fusion gene was highly amplified and overexpressed [42]. Previous studies have also suggested that PAs with amplification of *MDM2* and possibly also other driver genes in 12q have an increased risk of malignant transformation [42–44]. However, this hypothesis needs to be confirmed by studies of additional cases of CXPA and by in vitro transformation experiments.

### 2.3. Ring Chromosomes and Dicentric Chromosomes

Breakage-fusion-bridge (BFB) cycles [45,46] is a mechanism that generates chromosome variability and mitotically unstable chromosome aberrations such as ring chromosomes and dicentric chromosomes [47]. Ring chromosomes have been found in  $\approx 8\%$  of karyotypically aberrant PAs [24,26,35,36,39,48]. The most common rings are derived from chromosomes 8 and 5, in that order of frequency. The rings may vary in both size and number in a given tumor. Notably, we have previously shown that the r(8)(p12q12.1) consists of a pericentromeric segment with recurrent breakpoints in *FGFR1* in 8p12 and *PLAG1* in 8q12.1 with amplification and overexpression of an *FGFR1::PLAG1* gene fusion (Figure 2) [39]. Importantly, this fusion has also been shown to be enriched 15-fold in myoepithelial carcinoma-ex-PA (MECAXPA) compared to PA, suggesting that amplification and overexpression of the *FGFR1::PLAG1* fusion may be a potential biomarker for malignant transformation of PA [49].



**Figure 2.** Ring chromosome 8 in PA. Schematic illustration of the formation of the ring chromosome r(8)(p12q12.1) and the resulting *FGFR1::PLAG1* gene fusion in which exon 1 of *FGFR1* (green) is fused to exon 2 of *PLAG1* (blue).

Rings derived from other chromosomes have so far not resulted in gene fusions, but instead losses of segments of for example 8p, 5p, 5q, and/or 6q [39], indicating the presence of putative tumor suppressor genes in these regions. Dicentric chromosomes are rarer than rings and are seen in only 1.5% of cytogenetically abnormal PAs. The majority of these involve chromosome 8 with breakpoints in 8q12.

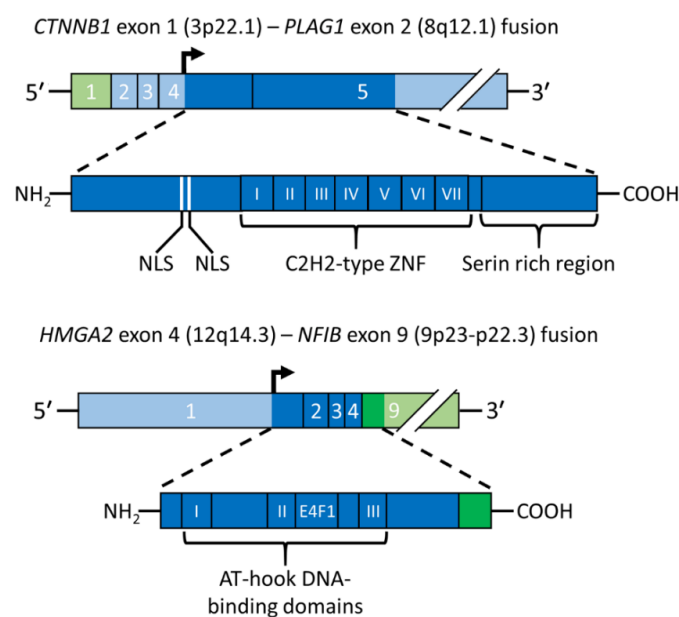
### 2.4. Polyclonal Aberrations in Radiation-Associated PAs

Cytogenetic studies on radiation-associated PAs are rare. To the best of our knowledge, there are only two such cases reported in which PA developed in patients previously treated with radiotherapy for tuberculous lymphadenitis in the neck [5,50]. Both cases were cytogenetically polyclonal with a variety of mainly unique structural aberrations, but without involvement of the PA-specific breakpoints 8q12 and 12q13-15. Subsequent molecular analyses revealed that both tumors had activation of *PLAG1* and *HMGA2* and one of the cases had a cryptic *CTNNB1::PLAG1* fusion [6]. Studies of these two unique cases demonstrate that polyclonal, radiation-associated PAs develop as a result of very similar basic molecular mechanisms as sporadic PAs with monoclonal karyotypes.

## 3. The Gene Fusion Landscape of PA

### 3.1. The Transcription Factor Gene *PLAG1* Is the Target of Translocations and Rearrangements of 8q12 in PA

PA was the first benign epithelial tumor in which a tumor type-specific translocation was shown to result in a gene fusion. Positional cloning of the breakpoints in the t(3;8)(p21;q12) translocation revealed that it generates a fusion between the *PLAG1* gene in 8q12 and *CTNNB1* gene in 3p21 [11] (Figure 3, upper panel). The *PLAG1* oncogene encodes a developmentally regulated transcription factor that is highly expressed in various fetal tissues, but whose expression is low or absent in adult tissues, including normal salivary gland [11,37]. *PLAG1* has seven canonical C2H2 zinc finger domains in the N-terminal part of the protein and a serine-rich transcriptional activation domain in its C-terminal part [11,51]. The *PLAG1* oncoprotein is involved in the regulation of crucial cellular processes such as transcriptional regulation, growth control, cell proliferation, and apoptosis [52,53]. Its fundamental role in growth control is further emphasized by studies of knockout mice showing that the pre- and postnatal growth of *Plag1*<sup>-/-</sup> mice is significantly retarded [54]. The finding that the growth factor IGF2 is a major downstream target of *PLAG1* [55] also agrees with this finding. *PLAG1* binds the IGF2 P3 promoter and aberrantly activates its expression in PAs overexpressing *PLAG1* [55]. Other known *PLAG1* targets are *BCL2*, *CDKN1C*, *CRABP2*, *CYTL1*, *EFNB1*, *SMARCD3*, and *TSPAN4* [53].

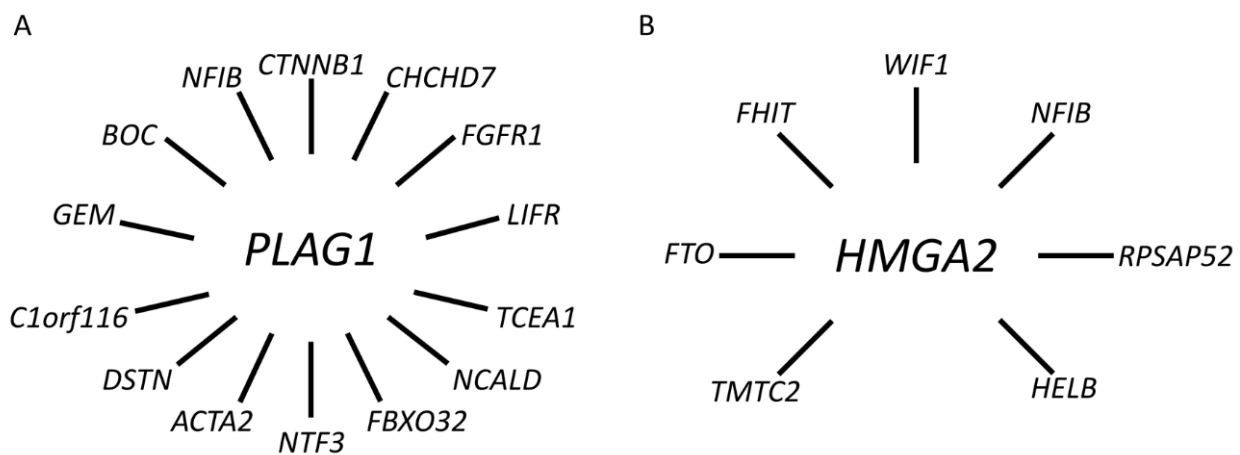


**Figure 3.** Schematic illustration of gene fusions in PA. The *CTNNB1::PLAG1* fusion gene and the encoded fusion protein is depicted in the upper panel and the *HMGA2::NFIB* fusion gene and the encoded fusion protein in the lower panel. Coding exons are shown in darker green and blue and the translation start site is indicated by an arrow. AT-hook, DNA binding motif; E4F1, E4F1-domain; NLS, nuclear localization signal; ZNF, zinc finger.

*CTNNB1* is the most common fusion partner gene to *PLAG1* in PA. *CTNNB1* encodes  $\beta$ -catenin, a ubiquitously expressed protein involved in the regulation of cell–cell adhesion, cell proliferation, and differentiation.  $\beta$ -catenin acts as an intracellular signal transducer in the Wnt signaling pathway and is inhibited by the tumor suppressor protein APC [56]. *CTNNB1* is mutated in a variety of solid tumors [56,57].

The t(3;8) translocation in PA results in promoter swapping between *PLAG1* and *CTNNB1* leading to activation of *PLAG1* expression [11] (Figure 3, upper panel). The *CTNNB1::PLAG1* fusion was the first example of promoter swapping in solid tumors. The breakpoints in *PLAG1* and *CTNNB1* occur in the non-coding regions of both genes, leading to exchange of regulatory control elements with the coding sequences preserved. Subsequent studies of other translocations have confirmed that ectopic overexpression of a normal *PLAG1* oncoprotein due to promoter swapping is a recurrent theme in PA. Thus, also the t(8;9)/ins(9;8) and t(5;8), which are the second and third most common aberrations in the 8q12 subgroup of PAs, result in exchange of regulatory sequences between *PLAG1* and the *NFIB* and *LIFR* genes, respectively [17,37]. Notably, *NFIB* is also a fusion partner of *HMGA2* in PA and of *MYB* in salivary gland adenoid cystic carcinomas (see below) [13,37,58,59].

To date, we and others have identified a network of *PLAG1* fusions in PA involving at least 11 additional fusion partner genes, including *CHCHD7*, *FGFR1*, *TCEA1*, *NCALD*, *FBXO32*, *NTF3*, *ACTA2*, *DSTN*, *C1orf116*, *GEM*, and *BOC* [38,39,60–62] (Figure 4A and Supplementary Table S1).



**Figure 4.** Gene fusion network in PA. (A) *PLAG1* and its 14 known fusion partner genes. (B) *HMGA2* and its seven known fusion partner genes.

It should be emphasized that several of these fusions, including e.g., *CHCHD7::PLAG1* and *TCEA1::PLAG1*, are cryptic fusions generated by intrachromosomal rearrangements [38]. For example, *CHCHD7* and *PLAG1* are located head-to-head only 500 bp apart and due to a paracentric inversion *PLAG1* is activated by promoter swapping. The common denominator for all fusion partners is that they are either ubiquitously expressed or highly expressed in normal salivary gland. Importantly, the fusions are generated both by cytogenetically visible translocations/aberrations and cryptic intra- and interchromosomal rearrangements [38]. The latter are often, but not exclusively, found in PAs with an apparently normal karyotype [19]. The diversity of chromosome 8q12 aberrations in PA suggest that additional *PLAG1* fusion partners are likely to be found.

In summary, the 8q12 translocations/aberrations in PA result in ectopic activation of *PLAG1* expression due to promoter swapping with a variety of different, mostly ubiquitously expressed, fusion partner genes. The oncogenic activity of *PLAG1* is partly due to activation of IGF2-signaling, suggesting that the IGF2-pathway is a potential therapeutic target in PA.

### 3.2. *HMGA2* Is the Target Gene of Translocations and Rearrangements of 12q13-15 in PA

Parallel to the discovery of the *PLAG1* gene as the target of the 8q12 aberrations in PA [11] we could demonstrate by positional cloning that the target of the 12q13-15 rearrangements in PA was the *HMGA2* gene (previously known as *HMGIC*) [12,13]. *HMGA2* is a member of the non-histone high-mobility group (HMG) protein gene family and encodes an architectural transcription factor [63–66]. HMG-proteins are essential components of enhanceosomes and are involved in the regulation of gene transcription, recombination, and chromatin structure. The *HMGA2* protein has three AT-hook DNA-binding domains in its N-terminus, a spacer domain, and an acidic C-terminus. Examples of known down-stream targets of *HMGA2* are *PLAG1* and the cell cycle regulator *CCNA1* [67,68].

Detailed genomic analyses of the 3p and 12q breakpoints in a PA with a complex karyotype, including an ins(3;12)(p14.2;q14q15), revealed an *HMGA2*-fusion linking the first three exons (encoding the DNA-binding domains) of *HMGA2* to the two last coding exons of the *FHIT* gene in 3p14.2 [12]. The deduced *HMGA2::FHIT* fusion protein consists of the N-terminal part of *HMGA2*, including the three DNA-binding domains, fused to the C-terminal part of *FHIT* which encodes the last 31 amino acids of the protein. Subsequent molecular analysis of a PA with an ins(9;12) confirmed that also this rearrangement involves *HMGA2* and results in a fusion of the 3'-part of the gene linked to the last coding exon of the *NFIB* gene which only encodes five amino acids [13]. Notably, it was also shown that a PA with an apparently normal karyotype had a cryptic ins(9;12) generating an *HMGA2::NFIB* fusion. Later studies confirmed that also the t(9;12)(p21-23;q13-15), which together with the ins(9;12) variant are the most common aberrations in the 12q13-15 subgroup of PAs, result in *HMGA2::NFIB* gene fusions [37] (Figure 3, lower panel). Notably, *NFIB* is so far the only fusion partner gene that is shared between *PLAG1* and *HMGA2*. *NFIB* is also a fusion partner to the *MYB* oncogene in adenoid cystic carcinoma [58,69]. In addition to being highly expressed in normal salivary gland, *NFIB* also contains several super-enhancers in the 5'- and 3'-parts of the gene and its flanking sequences [37,70], suggesting that enhancer-hijacking events may also contribute to the activation of *PLAG1* and *HMGA2* in PAs [37].

In addition to *NFIB* and *FHIT*, there are at least five additional known fusion partner genes to *HMGA2* in PA, including *FTO*, *HELB*, *TMTC2*, *RPSAP52*, and *WIF1* [71–74] (Figure 4B and Supplementary Table S1). Available data indicate that the latter, together with *NFIB*, are the two most common fusion partners [37,42,72,74]. *WIF1* is located only 0.7 Mb centromeric to *HMGA2* and the *HMGA2::WIF1* fusion is thus generated by a cryptic intrachromosomal rearrangement [42]. Previous studies have shown that the *HMGA2::WIF1* fusion is also amplified together with several other closely linked genes in 12q. Interestingly, Agaimy and co-workers recently suggested that PAs with *HMGA2::WIF1* fusions are characterized by a prominent trabecular and canalicular adenoma-like morphology [72]. The molecular mechanism by which the fusions activate *HMGA2* is only partly known. In addition to enhancer-hijacking, it has been suggested that binding sites for negatively regulating microRNAs in the 3'-UTR of *HMGA2* are lost in the fusions that may contribute to activation of the gene [18,75]. However, additional studies are needed to fully understand the mechanisms by which *HMGA2* is activated in PA.

## 4. The 8q12 and 12q13-15 Rearrangements in PA Activate the *HMGA2*-*PLAG1*-*IGF2* Pathway

As discussed in this review, the genomic hallmarks of PA are translocations/rearrangements, with consistent breakpoints in 8q12 and 12q13-15, leading to gene fusions with the oncogenic drivers *PLAG1* and *HMGA2*. However, the molecular association between these two seemingly different aberrations have been unclear. There is now convincing evidence to suggest that *HMGA2* is an upstream regulator of *PLAG1* expression and that *HMGA2* regulates the expression of *IGF2* via *PLAG1* in a *PLAG1*-independent manner [68,76]. This new information emanates mainly from recent studies of the Silver–Russell syndrome (SRS) [76], a condition characterized by pre- and postnatal growth retardation

associated with IGF2-deficiency [77,78]. Notably, it was recently shown that a subset of SRSs is caused by mutations in *HMGA2* or in the *HMGA2* regulated gene *PLAG1* [76,79,80]. Inactivation of either of these genes leads to downregulation of IGF2 and a growth retardation phenotype. We now propose that activation of *HMGA2* or *PLAG1* expression due to chromosome 12q13-15 and 8q12 rearrangements in PA result in upregulation of IGF2 expression and tumorigenesis. This conclusion is also supported by previous studies showing co-expression of *HMGA2* and *PLAG1* in PAs with 12q13-15 rearrangements [19,68]. Taken together, these studies for the first time provide a common explanation for the 8q12 and 12q13-15 aberrations in PA and identifies IGF2 as a major oncogenic driver in PA.

### 5. Clinical Significance of Genomic Alterations in PA

Recurrent PAs may pose a significant clinical problem [81–83]. With current management of parotid PAs, the recurrence rate is around 3% [3,83]. Little, if anything, is known about the genomic profile of recurrent PAs. Preliminary cytogenetic analysis of 19 recurrent PAs have shown a similar distribution of 8q12, 12q13-15, and non-recurrent clonal aberrations as in primary non-recurrent tumors after more than 20 years follow-up (unpublished data). Similar observations were made also from an unpublished smaller series of cytogenetically analyzed primary PAs that recurred after 6–36 years. Taken together, these preliminary studies demonstrate that recurrent PAs are genetically stable even after long growth periods in vivo and that they do not deviate from the general pattern of chromosome aberrations in PA.

Malignant transformation of PA may occur in up to 10% of the cases and is increased in recurrent tumors and in tumors with long growth periods in vivo [1]. Studies of the cytogenetic and gene fusion landscape of CXPA is very limited. CXPAs show the PA specific *PLAG1*- or *HMGA2*-fusions as well as a number of other both recurrent and non-recurrent aberrations [42,43,60,84,85]. Previous studies have suggested that PAs with amplification of genes in 12q13-21, including *MDM2*, *HMGA2* or an *HMGA2*-fusion, have an increased risk of malignant transformation [42–44]. In addition, amplification and overexpression of the *FGFR1::PLAG1* fusion has been suggested as a potential biomarker for malignant transformation of PA [49].

PAs are characterized by histopathological diversity and there are several other benign and malignant salivary gland tumors that can mimic PA (reviewed in [8]). There is thus a need for diagnostically useful molecular markers to help distinguish PA from its mimics. Importantly, previous studies have shown that aberrations of 8q12 and 12q13-15 involving *PLAG1* and *HMGA2* are specific to PA and CXPA (cf. above) among salivary gland tumors [18,27,84,86–89]. Aberrations of these genes may be detected by FISH, RT-PCR, immunohistochemistry (IHC), and other molecular techniques such as for example RT-PCR and next generation sequencing. For routine histopathological purposes, FISH and IHC are perhaps most useful and there are several studies showing that *PLAG1* IHC is a sensitive marker for PA and CXPA (cf. above).

Today the mainstay treatment of PA is surgery. However, surgery in the parotid and other regions of the head and neck is not uncomplicated with risk of damage to the facial nerve and a number of other complications. Therefore, especially in the recurrent setting with substantial risk for the VIIth nerve, non-surgical treatments are needed, and the recent discovery that the 8q12 and 12q13-15 aberrations lead to activation of the *HMGA2-PLAG1-IGF2* pathway opens up new avenues for future medical treatment of PAs with for example IGF2-inhibitors.

### 6. Conclusions

The genomic hallmark of PA is translocations with consistent breakpoints in 8q12 and 12q13-15 resulting in gene fusions involving the transcription factor genes *PLAG1* and *HMGA2*. *PLAG1* is activated by promoter swapping/enhancer hijacking whereas *HMGA2* is activated by gene truncation/enhancer hijacking. Importantly, recent studies have shown that *HMGA2* is an upstream regulator of *PLAG1* expression and that *HMGA2* regulates



the expression of IGF2 via *PLAG1*. This provides a novel explanation for the 8q12 and 12q13-15 aberrations in PA and identifies IGF2 as a major oncogenic driver and therapeutic target in PA. Taken together, these studies have important diagnostic and possible future therapeutic implications for patients with PA.

**Supplementary Materials:** The following supporting information can be downloaded at: <https://www.mdpi.com/article/10.3390/biomedicines10081970/s1>. Table S1: Overview of all *PLAG1*- and *HMG2A*-fusions so far described in pleomorphic salivary gland adenomas in the literature. References [11–13,17,19,37–39,42,60–62,71–74,85,89–91] are cited in the supplementary materials.

**Author Contributions:** Conceptualization and writing—original draft: G.S.; data retrieval: G.S. and A.F. (André Fehr); visualization: A.F. (André Fehr), A.S. and G.S.; writing—review and editing: G.S., A.F. (André Fehr), A.S., V.V.P., H.H., L.H.M., N.F.S., O.G.-L., C.M.C.-E., M.K.A. and A.F. (Alfio Ferlito). All authors have read and agreed to the published version of the manuscript.

**Funding:** This research received no external funding.

**Institutional Review Board Statement:** Not applicable.

**Informed Consent Statement:** Not applicable.

**Data Availability Statement:** Not applicable.

**Acknowledgments:** The authors wish to dedicate this review to the late Joachim Mark, a pathologist and pioneer in cancer cytogenetics and a great scientist, who in the late 70s together with GS initiated the cytogenetic studies of salivary gland tumors.

**Conflicts of Interest:** The authors declare no conflict of interest.

## References

1. WHO Classification of Tumours Editorial Board. *International Agency for Research on Cancer*, 5th ed.; WHO Classification of Tumours Series; Head and Neck Tumours [Internet; Beta Version Ahead of Print]; WHO Classification of Tumours Editorial Board: Lyon, France, 2022; Volume 9. Available online: <https://tumourclassification.iarc.who.int/chapters/52> (accessed on 14 June 2022).
2. Skalova, A.; Hyrcza, M.D.; Leivo, I. Update from the 5th Edition of the World Health Organization Classification of Head and Neck Tumors: Salivary Glands. *Head Neck Pathol.* **2022**, *16*, 40–53. [[CrossRef](#)]
3. Andreassen, S.; Therkildsen, M.H.; Bjorndal, K.; Homoe, P. Pleomorphic adenoma of the parotid gland 1985-2010: A Danish nationwide study of incidence, recurrence rate, and malignant transformation. *Head Neck* **2016**, *38* (Suppl. S1), E1364–E1369. [[CrossRef](#)]
4. Valstar, M.H.; de Ridder, M.; van den Broek, E.C.; Stuijver, M.M.; van Dijk, B.A.C.; van Velthuysen, M.L.F.; Balm, A.J.M.; Smeele, L.E. Salivary gland pleomorphic adenoma in the Netherlands: A nationwide observational study of primary tumor incidence, malignant transformation, recurrence, and risk factors for recurrence. *Oral Oncol.* **2017**, *66*, 93–99. [[CrossRef](#)]
5. Mark, J.; Ekedahl, C. Polyclonal chromosomal evolution in a benign mixed salivary gland tumor. *Cancer Genet. Cytogenet.* **1987**, *28*, 237–243. [[CrossRef](#)]
6. Enlund, F.; Nordkvist, A.; Sahlin, P.; Mark, J.; Stenman, G. Expression of *PLAG1* and *HMGIC* proteins and fusion transcripts in radiation-associated pleomorphic adenomas. *Int. J. Oncol.* **2002**, *20*, 713–716. [[CrossRef](#)]
7. Hernandez-Prera, J.C.; Faquin, W.C.; Ihrler, S.; Katabi, N.; Weinreb, I.; Altemani, A.; Machado de Sousa, S.O.; Wasserman, J.K. Pleomorphic Adenoma. In *WHO Classification of Tumours Editorial Board*, 5th ed.; WHO Classification of Tumours Series; Head and Neck Tumours [Internet; Beta Version Ahead of Print]; International Agency for Research on Cancer: Lyon, France, 2022; Volume 9. Available online: <https://tumourclassification.iarc.who.int/chapters/52> (accessed on 14 June 2022).
8. Hernandez-Prera, J.C.; Skalova, A.; Franchi, A.; Rinaldo, A.; Vander Poorten, V.; Zbaren, P.; Ferlito, A.; Wenig, B.M. Pleomorphic adenoma: The great mimicker of malignancy. *Histopathology* **2021**, *79*, 279–290. [[CrossRef](#)]
9. Katabi, N.; Chiosea, S.; Fonseca, I.; Ihrler, S.; Klijanienko, J.; Altemani, A. Carcinoma ex Pleomorphic Adenoma. In *WHO Classification of Tumours Editorial Board*, 5th ed.; WHO Classification of Tumours Series; Head and Neck Tumours [Internet; Beta Version Ahead of Print]; International Agency for Research on Cancer: Lyon, France, 2022; Volume 9. Available online: <https://tumourclassification.iarc.who.int/chapters/52> (accessed on 14 June 2022).
10. Mark, J.; Dahlenfors, R.; Ekedahl, C.; Stenman, G. The mixed salivary gland tumor—A normally benign human neoplasm frequently showing specific chromosomal abnormalities. *Cancer Genet. Cytogenet.* **1980**, *2*, 231–241. [[CrossRef](#)]
11. Kas, K.; Voz, M.L.; Röijer, E.; Åström, A.K.; Meyen, E.; Stenman, G.; Van de Ven, W.J. Promoter swapping between the genes for a novel zinc finger protein and beta-catenin in pleomorphic adenomas with t(3;8)(p21;q12) translocations. *Nat. Genet.* **1997**, *15*, 170–174. [[CrossRef](#)]

12. Geurts, J.M.; Schoenmakers, E.F.; Röijer, E.; Stenman, G.; Van de Ven, W.J. Expression of reciprocal hybrid transcripts of HMGIC and FHIT in a pleomorphic adenoma of the parotid gland. *Cancer Res.* **1997**, *57*, 13–17.
13. Geurts, J.M.; Schoenmakers, E.F.; Röijer, E.; Aström, A.K.; Stenman, G.; van de Ven, W.J. Identification of NFIB as recurrent translocation partner gene of HMGIC in pleomorphic adenomas. *Oncogene* **1998**, *16*, 865–872. [[CrossRef](#)]
14. Mark, J.; Dahlenfors, R.; Ekedahl, C.; Stenman, G. Chromosomal patterns in a benign human neoplasm, the mixed salivary gland tumour. *Hereditas* **1982**, *96*, 141–148. [[CrossRef](#)]
15. Mertens, F.; Johansson, B.; Fioretos, T.; Mitelman, F. The emerging complexity of gene fusions in cancer. *Nat. Rev. Cancer* **2015**, *15*, 371–381. [[CrossRef](#)]
16. Stenman, G.; Mark, J. Specificity of the involvement of chromosomes 8 and 12 in human mixed salivary-gland tumours. *J. Oral. Pathol.* **1983**, *12*, 446–457. [[CrossRef](#)] [[PubMed](#)]
17. Voz, M.L.; Aström, A.K.; Kas, K.; Mark, J.; Stenman, G.; Van de Ven, W.J. The recurrent translocation t(5;8)(p13;q12) in pleomorphic adenomas results in upregulation of PLAG1 gene expression under control of the LIFR promoter. *Oncogene* **1998**, *16*, 1409–1416. [[CrossRef](#)] [[PubMed](#)]
18. Stenman, G. Fusion oncogenes in salivary gland tumors: Molecular and clinical consequences. *Head Neck Pathol.* **2013**, *7* (Suppl. S1), S12–S19. [[CrossRef](#)]
19. Astrom, A.K.; Voz, M.L.; Kas, K.; Roijer, E.; Wedell, B.; Mandahl, N.; Van de Ven, W.; Mark, J.; Stenman, G. Conserved mechanism of PLAG1 activation in salivary gland tumors with and without chromosome 8q12 abnormalities: Identification of SII as a new fusion partner gene. *Cancer Res.* **1999**, *59*, 918–923. [[PubMed](#)]
20. Skalova, A.; Hyrcza, M.D.; Vanecek, T.; Baneckova, M.; Leivo, I. Fusion-positive salivary gland carcinomas. *Genes Chromosomes Cancer* **2022**, *61*, 228–243. [[CrossRef](#)]
21. Andersson, M.K.; Stenman, G. The landscape of gene fusions and somatic mutations in salivary gland neoplasms—Implications for diagnosis and therapy. *Oral Oncol.* **2016**, *57*, 63–69. [[CrossRef](#)]
22. Mark, J.; Dahlenfors, R.; Ekedahl, C. Cytogenetics of the human benign mixed salivary gland tumour. *Hereditas* **1983**, *99*, 115–129. [[CrossRef](#)]
23. Mark, J.; Dahlenfors, R. Cytogenetical observations in 100 human benign pleomorphic adenomas: Specificity of the chromosomal aberrations and their relationship to sites of localized oncogenes. *Anticancer Res.* **1986**, *6*, 299–308.
24. Mark, J.; Sandros, J.; Wedell, B.; Stenman, G.; Ekedahl, C. Significance of the choice of tissue culture technique on the chromosomal patterns in human mixed salivary gland tumors. *Cancer Genet. Cytogenet.* **1988**, *33*, 229–244. [[CrossRef](#)]
25. Sandros, J.; Stenman, G.; Mark, J. Cytogenetic and molecular observations in human and experimental salivary gland tumors. *Cancer Genet. Cytogenet.* **1990**, *44*, 153–167. [[CrossRef](#)]
26. Mark, J.; Dahlenfors, R.; Wedell, B. Impact of the in vitro technique used on the cytogenetic patterns in pleomorphic adenomas. *Cancer Genet. Cytogenet.* **1997**, *95*, 9–15. [[CrossRef](#)]
27. Stenman, G. Fusion oncogenes and tumor type specificity—Insights from salivary gland tumors. *Semin. Cancer Biol.* **2005**, *15*, 224–235. [[CrossRef](#)] [[PubMed](#)]
28. Bullerdiel, J.; Bartnitzke, S.; Weinberg, M.; Chilla, R.; Haubrich, J.; Schloot, W. Rearrangements of chromosome region 12q13—q15 in pleomorphic adenomas of the human salivary gland (PSA). *Cytogenet Cell Genet.* **1987**, *45*, 187–190. [[CrossRef](#)]
29. Bullerdiel, J.; Boschen, C.; Bartnitzke, S. Aberrations of chromosome 8 in mixed salivary gland tumors—cytogenetic findings on seven cases. *Cancer Genet. Cytogenet.* **1987**, *24*, 205–212. [[CrossRef](#)]
30. Bullerdiel, J.; Chilla, R.; Haubrich, J.; Meyer, K.; Bartnitzke, S. A causal relationship between chromosomal rearrangements and the genesis of salivary gland pleomorphic adenomas. *Arch. Otorhinolaryngol.* **1988**, *245*, 244–249. [[CrossRef](#)] [[PubMed](#)]
31. Bullerdiel, J.; Wobst, G.; Meyer-Bolte, K.; Chilla, R.; Haubrich, J.; Thode, B.; Bartnitzke, S. Cytogenetic subtyping of 220 salivary gland pleomorphic adenomas: Correlation to occurrence, histological subtype, and in vitro cellular behavior. *Cancer Genet. Cytogenet.* **1993**, *65*, 27–31. [[CrossRef](#)]
32. Martins, C.; Fonseca, I.; Felix, A.; Roque, L.; Soares, J. Benign salivary gland tumors: A cytogenetic study of 21 cases. *J. Surg. Oncol.* **1995**, *60*, 232–237. [[CrossRef](#)] [[PubMed](#)]
33. Hrynchak, M.; White, V.; Berean, K.; Horsman, D. Cytogenetic findings in seven lacrimal gland neoplasms. *Cancer Genet. Cytogenet.* **1994**, *75*, 133–138. [[CrossRef](#)]
34. Mark, H.F.; Hanna, I.; Gnepp, D.R. Cytogenetic analysis of salivary gland type tumors. *Oral Surg. Oral Med. Oral Pathol. Oral Radiol. Endod.* **1996**, *82*, 187–192. [[CrossRef](#)]
35. Jin, C.; Martins, C.; Jin, Y.; Wiegant, J.; Wennerberg, J.; Dictor, M.; Gisselsson, D.; Strombeck, B.; Fonseca, I.; Mitelman, F.; et al. Characterization of chromosome aberrations in salivary gland tumors by FISH, including multicolor COBRA-FISH. *Genes Chromosomes Cancer* **2001**, *30*, 161–167. [[CrossRef](#)]
36. Mitelman, F.; Johansson, B.; Mertens, F. (Eds.) Mitelman Database of Chromosome Aberrations and Gene Fusions in Cancer: 2022. Available online: <https://mitelmandatabase.isb-cgc.org> (accessed on 21 June 2022).
37. Afshari, M.K.; Fehr, A.; Nevado, P.T.; Andersson, M.K.; Stenman, G. Activation of PLAG1 and HMGA2 by gene fusions involving the transcriptional regulator gene NFIB. *Genes Chromosomes Cancer* **2020**, *59*, 652–660. [[CrossRef](#)]
38. Asp, J.; Persson, F.; Kost-Alimova, M.; Stenman, G. CHCHD7-PLAG1 and TCEA1-PLAG1 gene fusions resulting from cryptic, intrachromosomal 8q rearrangements in pleomorphic salivary gland adenomas. *Genes Chromosomes Cancer* **2006**, *45*, 820–828. [[CrossRef](#)]

39. Persson, F.; Winnes, M.; Andrén, Y.; Wedell, B.; Dahlenfors, R.; Asp, J.; Mark, J.; Enlund, F.; Stenman, G. High-resolution array CGH analysis of salivary gland tumors reveals fusion and amplification of the FGFR1 and PLAG1 genes in ring chromosomes. *Oncogene* **2008**, *27*, 3072–3080. [[CrossRef](#)]
40. Mark, J.; Dahlenfors, R.; Ekedahl, C. On double-minutes and their origin in a benign human neoplasm, a mixed salivary gland tumour. *Anticancer Res.* **1982**, *2*, 261–264. [[PubMed](#)]
41. Di Palma, S.; Lambros, M.B.; Savage, K.; Jones, C.; Mackay, A.; Dexter, T.; Irvani, M.; Fenwick, K.; Ashworth, A.; Reis-Filho, J.S. Oncocytic change in pleomorphic adenoma: Molecular evidence in support of an origin in neoplastic cells. *J. Clin. Pathol.* **2007**, *60*, 492–499. [[CrossRef](#)]
42. Persson, F.; Andrén, Y.; Winnes, M.; Wedell, B.; Nordkvist, A.; Gudnadottir, G.; Dahlenfors, R.; Sjögren, H.; Mark, J.; Stenman, G. High-resolution genomic profiling of adenomas and carcinomas of the salivary glands reveals amplification, rearrangement, and fusion of HMGA2. *Genes Chromosomes Cancer* **2009**, *48*, 69–82. [[CrossRef](#)] [[PubMed](#)]
43. Roijer, E.; Nordkvist, A.; Strom, A.K.; Ryd, W.; Behrendt, M.; Bullerdiek, J.; Mark, J.; Stenman, G. Translocation, deletion/amplification, and expression of HMGIC and MDM2 in a carcinoma ex pleomorphic adenoma. *Am. J. Pathol.* **2002**, *160*, 433–440. [[CrossRef](#)]
44. Rao, P.H.; Murty, V.V.; Louie, D.C.; Chaganti, R.S. Nonsyntenic amplification of MYC with CDK4 and MDM2 in a malignant mixed tumor of salivary gland. *Cancer Genet. Cytogenet.* **1998**, *105*, 160–163. [[CrossRef](#)]
45. McClintock, B. The Production of Homozygous Deficient Tissues with Mutant Characteristics by Means of the Aberrant Mitotic Behavior of Ring-Shaped Chromosomes. *Genetics* **1938**, *23*, 315–376. [[CrossRef](#)] [[PubMed](#)]
46. McClintock, B. The Stability of Broken Ends of Chromosomes in Zea Mays. *Genetics* **1941**, *26*, 234–282. [[CrossRef](#)] [[PubMed](#)]
47. Gisselsson, D.; Pettersson, L.; Hoglund, M.; Heidenblad, M.; Gorunova, L.; Wiegant, J.; Mertens, F.; Dal Cin, P.; Mitelman, F.; Mandahl, N. Chromosomal breakage-fusion-bridge events cause genetic intratumor heterogeneity. *Proc. Natl. Acad. Sci. USA* **2000**, *97*, 5357–5362. [[CrossRef](#)]
48. Mark, J.; Dahlenfors, R.; Ekedahl, C. Specificity and implications of ring chromosomes and dicentrics in benign mixed salivary gland tumours. *Acta Pathol. Microbiol. Immunol. Scand. A* **1983**, *91*, 397–402. [[CrossRef](#)] [[PubMed](#)]
49. Dalin, M.G.; Katabi, N.; Persson, M.; Lee, K.W.; Makarov, V.; Desrichard, A.; Walsh, L.A.; West, L.; Nadeem, Z.; Ramaswami, D.; et al. Multi-dimensional genomic analysis of myoepithelial carcinoma identifies prevalent oncogenic gene fusions. *Nat. Commun.* **2017**, *8*, 1197. [[CrossRef](#)]
50. Mark, J.; Dahlenfors, R.; Wedell, B. Is pleomorphic adenoma of the salivary glands a tumor of congenital or very early origin? *Oncol. Rep.* **1996**, *3*, 1075–1077. [[CrossRef](#)]
51. Kas, K.; Voz, M.L.; Hensen, K.; Meyen, E.; Van de Ven, W.J. Transcriptional activation capacity of the novel PLAG family of zinc finger proteins. *J. Biol. Chem.* **1998**, *273*, 23026–23032. [[CrossRef](#)]
52. Van Dyck, F.; Declercq, J.; Braem, C.V.; Van de Ven, W.J. PLAG1, the prototype of the PLAG gene family: Versatility in tumour development (review). *Int. J. Oncol.* **2007**, *30*, 765–774. [[CrossRef](#)]
53. Juma, A.R.; Damdimopoulou, P.E.; Grommen, S.V.; Van de Ven, W.J.; De Groef, B. Emerging role of PLAG1 as a regulator of growth and reproduction. *J. Endocrinol.* **2016**, *228*, R45–R56. [[CrossRef](#)]
54. Hensen, K.; Braem, C.; Declercq, J.; Van Dyck, F.; Dewerchin, M.; Fiette, L.; Deneff, C.; Van de Ven, W.J. Targeted disruption of the murine Plag1 proto-oncogene causes growth retardation and reduced fertility. *Dev. Growth Differ.* **2004**, *46*, 459–470. [[CrossRef](#)]
55. Voz, M.L.; Agten, N.S.; Van de Ven, W.J.; Kas, K. PLAG1, the main translocation target in pleomorphic adenoma of the salivary glands, is a positive regulator of IGF-II. *Cancer Res.* **2000**, *60*, 106–113.
56. Clevers, H.; Nusse, R. Wnt/beta-catenin signaling and disease. *Cell* **2012**, *149*, 1192–1205. [[CrossRef](#)]
57. Kim, S.; Jeong, S. Mutation Hotspots in the beta-Catenin Gene: Lessons from the Human Cancer Genome Databases. *Mol. Cells* **2019**, *42*, 8–16. [[CrossRef](#)]
58. Persson, M.; Andren, Y.; Mark, J.; Horlings, H.M.; Persson, F.; Stenman, G. Recurrent fusion of MYB and NFIB transcription factor genes in carcinomas of the breast and head and neck. *Proc. Natl. Acad. Sci. USA* **2009**, *106*, 18740–18744. [[CrossRef](#)]
59. Persson, M.; Andren, Y.; Moskaluk, C.A.; Frierson, H.F., Jr.; Cooke, S.L.; Futreal, P.A.; Kling, T.; Nelander, S.; Nordkvist, A.; Persson, F.; et al. Clinically significant copy number alterations and complex rearrangements of MYB and NFIB in head and neck adenoid cystic carcinoma. *Genes Chromosomes Cancer* **2012**, *51*, 805–817. [[CrossRef](#)]
60. Bubola, J.; MacMillan, C.M.; Demicco, E.G.; Chami, R.A.; Chung, C.T.; Leong, I.; Marrano, P.; Onkal, Z.; Swanson, D.; Veremis, B.M.; et al. Targeted RNA sequencing in the routine clinical detection of fusion genes in salivary gland tumors. *Genes Chromosomes Cancer* **2021**, *60*, 695–708. [[CrossRef](#)]
61. Baněčková, M.; Uro-Coste, E.; Ptáková, N.; Šteiner, P.; Stanowska, O.; Benincasa, G.; Colella, G.; Vondrák, J., Jr.; Michal, M.; Leivo, I.; et al. What is hiding behind S100 protein and SOX10 positive oncocytomas? Oncocytic pleomorphic adenoma and myoepithelioma with novel gene fusions in a subset of cases. *Hum. Pathol.* **2020**, *103*, 52–62. [[CrossRef](#)]
62. Pei, J.; Liu, J.C.; Ehya, H.; Wei, S. BOC-PLAG1, a new fusion gene of pleomorphic adenoma: Identified in a fine-needle aspirate by RNA next-generation sequencing. *Diagn. Cytopathol.* **2021**, *49*, 790–792. [[CrossRef](#)]
63. Ashar, H.R.; Fejzo, M.S.; Tkachenko, A.; Zhou, X.; Fletcher, J.A.; Weremowicz, S.; Morton, C.C.; Chada, K. Disruption of the architectural factor HMGI-C: DNA-binding AT hook motifs fused in lipomas to distinct transcriptional regulatory domains. *Cell* **1995**, *82*, 57–65. [[CrossRef](#)]
64. Tkachenko, A.; Ashar, H.R.; Meloni, A.M.; Sandberg, A.A.; Chada, K.K. Misexpression of disrupted HMGI architectural factors activates alternative pathways of tumorigenesis. *Cancer Res.* **1997**, *57*, 2276–2280.

65. Mansoori, B.; Mohammadi, A.; Ditzel, H.J.; Duijf, P.H.G.; Khaze, V.; Gjerstorff, M.F.; Baradaran, B. HMGA2 as a Critical Regulator in Cancer Development. *Genes* **2021**, *12*, 269. [[CrossRef](#)] [[PubMed](#)]
66. De Martino, M.; Fusco, A.; Esposito, F. HMGA and Cancer: A Review on Patent Literatures. *Recent Pat. Anti-Cancer Drug Discov.* **2019**, *14*, 258–267. [[CrossRef](#)] [[PubMed](#)]
67. Tessari, M.A.; Gostissa, M.; Altamura, S.; Sgarra, R.; Rustighi, A.; Salvagno, C.; Caretti, G.; Imbriano, C.; Mantovani, R.; Del Sal, G.; et al. Transcriptional activation of the cyclin A gene by the architectural transcription factor HMGA2. *Mol. Cell. Biol.* **2003**, *23*, 9104–9116. [[CrossRef](#)]
68. Klemke, M.; Muller, M.H.; Wosniok, W.; Markowski, D.N.; Nimzyk, R.; Helmke, B.M.; Bullerdiek, J. Correlated expression of HMGA2 and PLAG1 in thyroid tumors, uterine leiomyomas and experimental models. *PLoS ONE* **2014**, *9*, e88126. [[CrossRef](#)]
69. Andersson, M.K.; Aman, P.; Stenman, G. IGF2/IGF1R Signaling as a Therapeutic Target in MYB-Positive Adenoid Cystic Carcinomas and Other Fusion Gene-Driven Tumors. *Cells* **2019**, *8*, 913. [[CrossRef](#)]
70. Drier, Y.; Cotton, M.J.; Williamson, K.E.; Gillespie, S.M.; Ryan, R.J.; Kluk, M.J.; Carey, C.D.; Rodig, S.J.; Sholl, L.M.; Afrogheh, A.H.; et al. An oncogenic MYB feedback loop drives alternate cell fates in adenoid cystic carcinoma. *Nat. Genet.* **2016**, *48*, 265–272. [[CrossRef](#)]
71. Sun, L.; Petrone, J.S.; McNulty, S.N.; Evenson, M.J.; Zhu, X.; Robinson, J.A.; Chernock, R.D.; Duncavage, E.J.; Pfeifer, J.D. Comparison of gene fusion detection methods in salivary gland tumors. *Hum. Pathol.* **2022**, *123*, 1–10. [[CrossRef](#)] [[PubMed](#)]
72. Agaimy, A.; Ihrler, S.; Baněčková, M.; Costés Martineau, V.; Mantsopoulos, K.; Hartmann, A.; Iro, H.; Stoehr, R.; Skálová, A. HMGA2-WIF1 Rearrangements Characterize a Distinctive Subset of Salivary Pleomorphic Adenomas With Prominent Trabecular (Canalicular Adenoma-like) Morphology. *Am. J. Surg. Pathol.* **2022**, *46*, 190–199. [[CrossRef](#)]
73. Wasserman, J.K.; Dickson, B.C.; Smith, A.; Swanson, D.; Purgina, B.M.; Weinreb, I. Metastasizing Pleomorphic Adenoma: Recurrent PLAG1/HMGA2 Rearrangements and Identification of a Novel HMGA2-TMTC2 Fusion. *Am. J. Surg. Pathol.* **2019**, *43*, 1145–1151. [[CrossRef](#)] [[PubMed](#)]
74. Queimado, L.; Lopes, C.S.; Reis, A.M. WIF1, an inhibitor of the Wnt pathway, is rearranged in salivary gland tumors. *Genes Chromosomes Cancer* **2007**, *46*, 215–225. [[CrossRef](#)]
75. Mayr, C.; Hemann, M.T.; Bartel, D.P. Disrupting the pairing between let-7 and Hmga2 enhances oncogenic transformation. *Science* **2007**, *315*, 1576–1579. [[CrossRef](#)] [[PubMed](#)]
76. Abi Habib, W.; Brioude, F.; Edouard, T.; Bennett, J.T.; Lienhardt-Roussie, A.; Tixier, F.; Salem, J.; Yuen, T.; Azzi, S.; Le Bouc, Y.; et al. Genetic disruption of the oncogenic HMGA2-PLAG1-IGF2 pathway causes fetal growth restriction. *Genet. Med.* **2018**, *20*, 250–258. [[CrossRef](#)]
77. Gicquel, C.; Rossignol, S.; Cabrol, S.; Houang, M.; Steunou, V.; Barbu, V.; Danton, F.; Thibaud, N.; Le Merrer, M.; Burglen, L.; et al. Epimutation of the telomeric imprinting center region on chromosome 11p15 in Silver-Russell syndrome. *Nat. Genet.* **2005**, *37*, 1003–1007. [[CrossRef](#)] [[PubMed](#)]
78. Azzi, S.; Abi Habib, W.; Netchine, I. Beckwith-Wiedemann and Russell-Silver Syndromes: From new molecular insights to the comprehension of imprinting regulation. *Curr. Opin. Endocrinol. Diabetes Obes.* **2014**, *21*, 30–38. [[CrossRef](#)]
79. Leszinski, G.S.; Warncke, K.; Hoefele, J.; Wagner, M. A case report and review of the literature indicate that HMGA2 should be added as a disease gene for Silver-Russell syndrome. *Gene* **2018**, *663*, 110–114. [[CrossRef](#)]
80. Vado, Y.; Pereda, A.; Llano-Rivas, I.; Gorria-Redondo, N.; Diez, I.; Perez de Nanclares, G. Novel Variant in PLAG1 in a Familial Case with Silver-Russell Syndrome Suspicion. *Genes* **2020**, *11*, 1461. [[CrossRef](#)]
81. Psychogios, G.; Bohr, C.; Constantinidis, J.; Canis, M.; Vander Poorten, V.; Plzak, J.; Knopf, A.; Betz, C.; Guntinas-Lichius, O.; Zenk, J. Review of surgical techniques and guide for decision making in the treatment of benign parotid tumors. *Eur. Arch. Otorhinolaryngol.* **2021**, *278*, 15–29. [[CrossRef](#)]
82. Rooker, S.A.; Van Abel, K.M.; Yin, L.X.; Nagelschneider, A.A.; Price, D.L.; Olsen, K.D.; Janus, J.R.; Kasperbauer, J.L.; Moore, E.J. Risk factors for subsequent recurrence after surgical treatment of recurrent pleomorphic adenoma of the parotid gland. *Head Neck* **2021**, *43*, 1088–1096. [[CrossRef](#)]
83. Alzumaili, B.; Xu, B.; Saliba, M.; Abuhashem, A.; Ganly, I.; Ghossein, R.; Katabi, N. Clinicopathologic Characteristics and Prognostic Factors of Primary and Recurrent Pleomorphic Adenoma: A Single Institution Retrospective Study of 705 Cases. *Am. J. Surg. Pathol.* **2022**, *46*, 854–862. [[CrossRef](#)] [[PubMed](#)]
84. von Holstein, S.L.; Fehr, A.; Persson, M.; Nickelsen, M.; Therkildsen, M.H.; Prause, J.U.; Heegaard, S.; Stenman, G. Lacrimal gland pleomorphic adenoma and carcinoma ex pleomorphic adenoma: Genomic profiles, gene fusions, and clinical characteristics. *Ophthalmology* **2014**, *121*, 1125–1133. [[CrossRef](#)] [[PubMed](#)]
85. Asahina, M.; Saito, T.; Hayashi, T.; Fukumura, Y.; Mitani, K.; Yao, T. Clinicopathological effect of PLAG1 fusion genes in pleomorphic adenoma and carcinoma ex pleomorphic adenoma with special emphasis on histological features. *Histopathology* **2019**, *74*, 514–525. [[CrossRef](#)]
86. Katabi, N.; Xu, B.; Jungbluth, A.A.; Zhang, L.; Shao, S.Y.; Lane, J.; Ghossein, R.; Antonescu, C.R. PLAG1 immunohistochemistry is a sensitive marker for pleomorphic adenoma: A comparative study with PLAG1 genetic abnormalities. *Histopathology* **2018**, *72*, 285–293. [[CrossRef](#)] [[PubMed](#)]
87. Bahrami, A.; Dalton, J.D.; Shivakumar, B.; Krane, J.F. PLAG1 alteration in carcinoma ex pleomorphic adenoma: Immunohistochemical and fluorescence in situ hybridization studies of 22 cases. *Head Neck Pathol.* **2012**, *6*, 328–335. [[CrossRef](#)] [[PubMed](#)]
88. Rotellini, M.; Palomba, A.; Baroni, G.; Franchi, A. Diagnostic utility of PLAG1 immunohistochemical determination in salivary gland tumors. *Appl. Immunohistochem. Mol. Morphol.* **2014**, *22*, 390–394. [[CrossRef](#)] [[PubMed](#)]

89. Matsuyama, A.; Hisaoka, M.; Nagao, Y.; Hashimoto, H. Aberrant PLAG1 expression in pleomorphic adenomas of the salivary gland: A molecular genetic and immunohistochemical study. *Virchows Arch. Int. J. Pathol.* **2011**, *458*, 583–592. [[CrossRef](#)]
90. Katabi, N.; Ghossein, R.; Ho, A.; Dogan, S.; Zhang, L.; Sung, Y.S.; Antonescu, C.R. Consistent PLAG1 and HMGA2 abnormalities distinguish carcinoma ex-pleomorphic adenoma from its de novo counterparts. *Hum. Pathol.* **2015**, *46*, 26–33. [[CrossRef](#)]
91. Pareja, F.; Da Cruz Paula, A.; Gularte-Mérida, R.; Vahdatinia, M.; Li, A.; Geyer, F.C.; da Silva, E.M.; Nanjangud, G.; Wen, H.Y.; Varga, Z.; et al. Pleomorphic adenomas and mucoepidermoid carcinomas of the breast are underpinned by fusion genes. *NPJ Breast Cancer* **2020**, *6*, 20. [[CrossRef](#)]