



ISTITUTO NAZIONALE DI RICERCA METROLOGICA Repository Istituzionale

A Three-Arm Current Comparator Bridge for Impedance Comparisons Over the Complex Plane

This is the author's submitted version of the contribution published as:

Original

A Three-Arm Current Comparator Bridge for Impedance Comparisons Over the Complex Plane / Callegaro, Luca; D'Elia, V; Ortolano, M; Pourdanesh, F.. - In: IEEE TRANSACTIONS ON INSTRUMENTATION AND MEASUREMENT. - ISSN 0018-9456. - 64:6(2015), pp. 1466-1471. [10.1109/TIM.2015.2398953]

Availability:

This version is available at: 11696/31349 since: 2021-02-19T22:40:47Z

Publisher:

IEEE

Published

DOI:10.1109/TIM.2015.2398953

Terms of use:

Visibile a tutti

This article is made available under terms and conditions as specified in the corresponding bibliographic description in the repository

Publisher copyright

IEEE

© 20XX IEEE. Personal use of this material is permitted. Permission from IEEE must be obtained for all other uses, in any current or future media, including reprinting/republishing this material for advertising or promotional purposes, creating new collective works, for resale or redistribution to servers or lists, or reuse of any copyrighted component of this work in other works

(Article begins on next page)

A three-arm current comparator bridge, for impedance comparisons over the complex plane

Luca Callegaro, Vincenzo D’Elia, Massimo Ortolano, and Faranak Pourdanesh ^{*†}

Abstract

We present here the concept of three-arm current comparator impedance bridge, which allows comparisons among three unlike impedances. Its purpose is the calibration of impedances having arbitrary phase angles, against calibrated nearly-pure impedances. An analysis of the bridge optimal setting and proper operation is presented. To test the concept, a two terminal-pair digitally-assisted bridge has been realized; measurements of an air-core inductor and of an RC network versus decade resistance and capacitance standards, at kHz frequency, have been performed. The bridge measurements are compatible with previous knowledge of the standards’ values with relative deviations in the 10^{-5} to 10^{-6} range.

1. INTRODUCTION

Transformer ratio bridges are the workhorses of primary impedance metrology [1, 2]; in this kind of bridges an impedance ratio is compared with a voltage or a current ratio standard [3–5]. The most accurate current ratio bridges are based on the *current comparator* (CC) principle [5]. Typically, CC bridges have two main arms and are employed for comparing like¹ impedances.

We introduce here the concept of *three-arm current comparator bridge* [6], where three unlike impedances are involved in the measurement. The measurement outcome gives a relation between the complex values of the three impedances. The aim of the three-arm comparator is the calibration of impedances having arbitrary phase angles, with traceability to pure² impedances, as are the resistance and capacitance scales maintained in national metrology institutes and calibration centers.

2. THREE-ARM CURRENT COMPARATOR BRIDGE

2.1. PRINCIPLE

The schematic diagram illustrating the principle of operation of the three-arm CC is shown in Fig. 1. The bridge comprises three main arms, numbered 1, 2, 3, and an injection arm 0, which is employed to balance the bridge. Bridge equilibrium is sensed by the detector D.

Each arm $k = 0, \dots, 3$ includes an admittance Y_k (or impedance $Z_k = Y_k^{-1}$) which, when excited, is crossed by current I_k . Current I_k flows in the n_k tap (chosen from an available tap set T) of the primary windings of the current comparator. Arms 1, 2, 3 are excited with the same fixed voltage E , whereas the injection arm 0 is excited with an adjustable voltage E_0 .

The bridge equilibrium is achieved when the sum of all magnetomotive forces \mathcal{M}_k generated by the currents I_k in the comparator core is nulled, that is, when

$$0 = \sum_{k=0}^3 \mathcal{M}_k = \sum_{k=0}^3 n_k I_k = n_0 Y_0 E_0 + \left(\sum_{k=1}^3 n_k Y_k \right) E. \quad (1)$$

Assuming that Y_1 and Y_2 are calibrated standards, and that Y_3 is the admittance under measurement, (1) can be rewritten as the measurement model

$$Y_3 = -\frac{1}{n_3} \left(n_1 Y_1 + n_2 Y_2 + n_0 Y_0 \frac{E_0}{E} \right). \quad (2)$$

The bridge accuracy is mainly determined by the ratio accuracy of its current comparator. The injection \mathcal{M}_0 should be small with respect to the main magnetomotive forces \mathcal{M}_k , $k = 1, 2, 3$, and the best

^{*}Luca Callegaro, Vincenzo D’Elia and Faranak Pourdanesh are with the Electromagnetism Division of the Istituto Nazionale di Ricerca Metrologica (INRIM), strada delle Cacce 91, 10135 Torino, Italy. E-mail: l.callegaro@inrim.it.

[†]Massimo Ortolano is with the Politecnico di Torino, Torino, Italy.

¹That is, having similar phase angles, such as two resistors or two capacitors.

²That is, having phase angles near 0° or $\pm 90^\circ$.

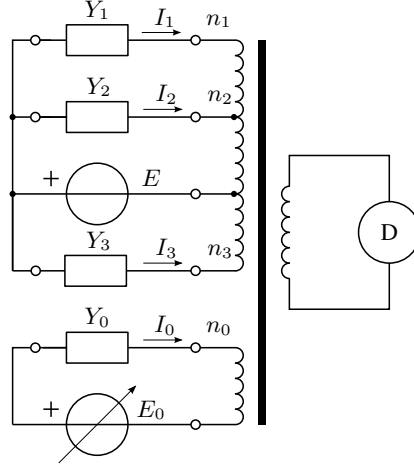


Figure 1: Three-arm current comparator. The voltage source E feeds the admittances Y_k , $k = 1, 2, 3$, which deliver currents I_k to taps n_k of the main winding. In the diagram, $n_1, n_2 > 0$; $n_3 < 0$. The injection current I_0 , generated by the voltage E_0 and the admittance Y_0 , flows through the injection winding having n_0 turns. The bridge equilibrium is sensed by the detector D connected to the detection winding.

accuracy is achieved for null injection, $\mathcal{M}_0 = I_0 = E_0 = 0$. Given Y_1 and Y_2 , this null condition identifies the nominal working points of the bridge as a function of n_1 , n_2 and n_3 , that is, for fixed Y_1 and Y_2 , the null condition with null injection determines a set $\mathcal{Y} = \{Y_3^n(n_1, n_2, n_3)\}$ of nominal admittances or, correspondingly, a set $\mathcal{Z} = \{Z_3^n(n_1, n_2, n_3) = [Y_3^n(n_1, n_2, n_3)]^{-1}\}$ of nominal impedances, for n_1 , n_2 and n_3 belonging to \mathbb{T} .

2.2. AN EXAMPLE

As an example, let us consider the following set-up:

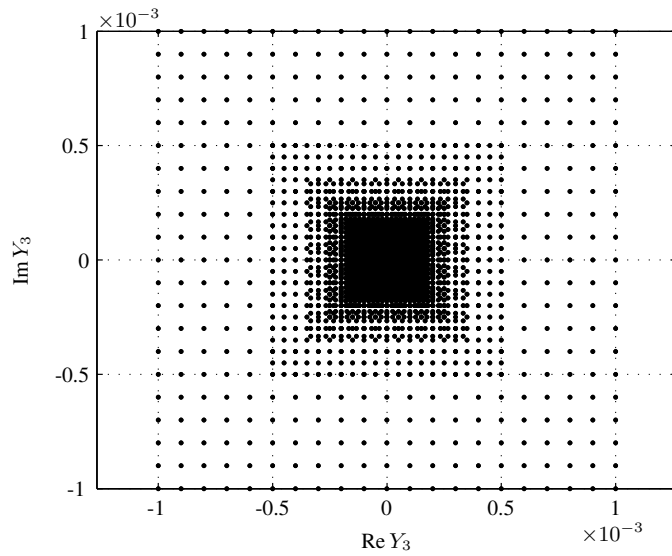
- Current comparator having a set of available taps $\mathbb{T} = \{-100, -90, \dots, 90, 100\}$. The total number of available (n_1, n_2, n_3) tap combinations is $21^3 = 9261$; however, the number of distinct available bridge working points is 3216.
- Z_1 is a pure resistor, $R_1 = 10 \text{ k}\Omega$;
- Z_2 a pure capacitor, $C_2 = 10 \text{ nF}$;
- The comparison is performed at the frequency $f = 1592 \text{ Hz}$.

Fig. 2 shows the loci, in the complex plane, of the sets \mathcal{Y} and \mathcal{Z} corresponding to the above given set-up. The particular shape of the \mathcal{Z} locus (Fig. 2(b)) can be appreciated by considering that the inversion $Z = 1/Y$ is a special case of Möbius transformation, which maps generalized circles (i.e., including straight lines) to generalized circles.

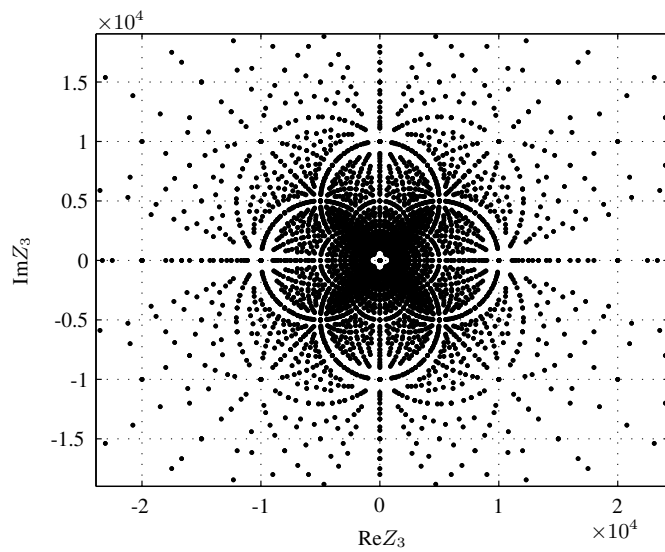
For given Y_0, \dots, Y_3 , the triplet (n_1, n_2, n_3) should be chosen to maximize the detection sensitivity and to minimize the injection \mathcal{M}_0 with respect to the other magnetomotive forces involved. A possible criterion is to minimize the absolute value of the quantity $m_0 = \mathcal{M}_0 / \|\mathcal{M}\|$, where $\|\mathcal{M}\|$ is the (quadratic) norm of the magnetization vector $[\mathcal{M}_k]$,

$$m_0 = \frac{\mathcal{M}_0}{\left(\sum_{k=1}^3 |\mathcal{M}_k|^2\right)^{\frac{1}{2}}}. \quad (3)$$

Given Z_1 and Z_2 , Eq. (3) can be used to define a metric on the complex plane. This metric induces a corresponding *Voronoi tessellation* [7] with convex *Voronoi cells*. A small portion of such tessellation



(a) Y locus.



(b) Z locus.

Figure 2: An example of the nominal working point set loci of a CC bridge over the complex plane. (a) admittance Y locus. (b) impedance Z locus. For clarity, the figures have been zoomed with a different scale factor.

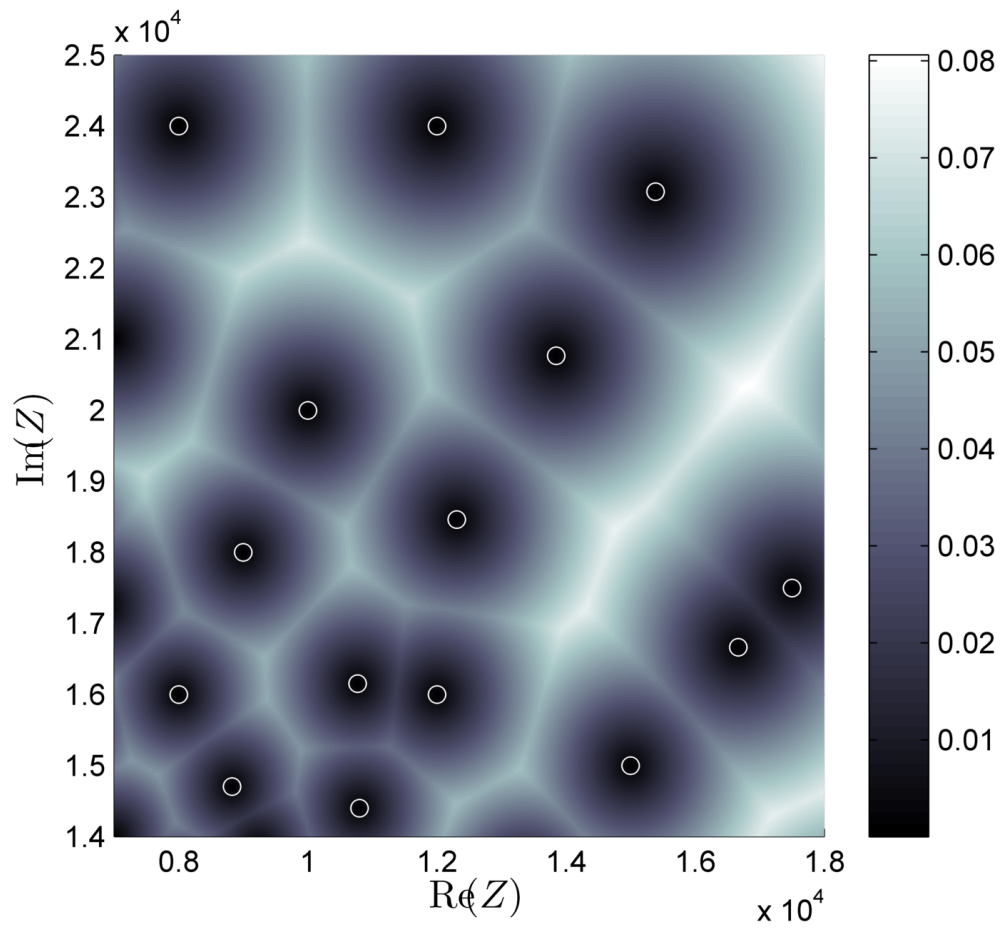


Figure 3: A zoom view of Fig. 2(b). The Z locus is represented as white circles; the injection magnitude $|m_0|$ is plotted in grayscale. The Voronoi tessellation of the complex plane can be easily recognized.

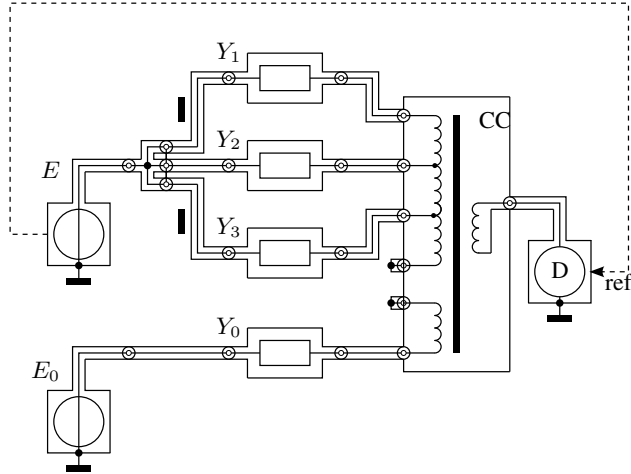


Figure 4: Coaxial schematic diagram of the three-arm current comparator bridge. All impedances are defined as two terminal-pair standards.

is depicted in Fig. 3, which, for each complex Z_3 , gives also the corresponding magnitude of m_0 , expressed as a gray scale.

3. A TEST BRIDGE IMPLEMENTATION, DIGITALLY-ASSISTED

3.1. IMPEDANCE DEFINITION

The same schematic diagram of Fig. 1 can be implemented for different impedance definitions. The test implementation here presented follows the two terminal-pair (2P) definition [2, Ch. 2], which achieves high accuracy for mid- and high-value impedances ($|Z| \geq 1 \text{ k}\Omega$). At the expenses of a more complex circuitry, a four terminal-pair implementation is also possible.

3.2. THE BRIDGE

The implementation of the three-arm current comparator bridge here presented is derived from that of a two-arm digitally-assisted current comparator bridge [8], which showed good results in the comparison of like impedances.

Digitally-assisted bridges [9–14] are based on the generation of the sine wave signals to be employed in the bridge with digital synthesized sources. This approach permits to simplify the bridge mesh and achieve automated operation. Since the accuracy of a digitally-assisted bridge is granted, like in traditional bridges, by the electromagnetic ratio devices involved, the measurement accuracy is not sacrificed: measurement uncertainties in the 10^{-8} level were demonstrated [14].

The coaxial circuit diagram of the bridge is shown in Fig. 4, and a photograph in Fig. 5.

The electromagnetic current comparator and the polyphase synthesized generator employed in the implementation are described in detail in [13, 14]. The detector employed is a commercial Stanford Research mod. 830 lock-in amplifier. The bridge equilibrium is achieved by adjusting the voltage E_0 with a simple automated control strategy [15].

4. MEASUREMENTS

Preliminary tests of the bridge described in Sec. 3. were performed by selecting nearly-pure impedances, a resistor and a capacitor, for Y_1 and Y_2 , and impure standards for Y_3 . All impedance magnitudes are in the $10 \text{ k}\Omega$ to $100 \text{ k}\Omega$ range at kHz frequency, which allow accurate measurements with two terminal-pair definition. All impedances were separately calibrated with other measurement systems: Tab. 1 gives some details about the standards and the calibration traceability route.

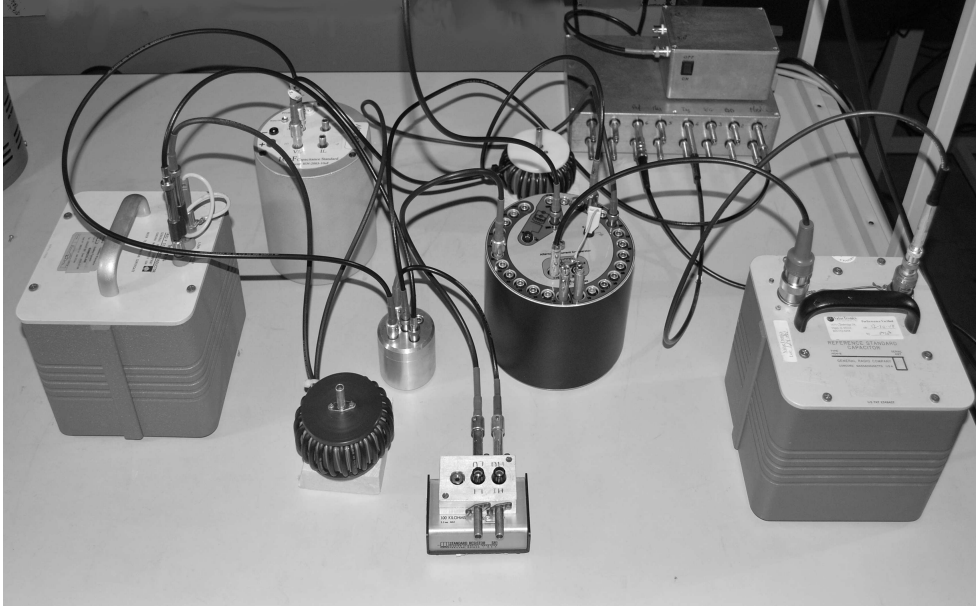


Figure 5: A photograph of the three-arm current comparator bridge. The CC is the cylindrical object near the figure center.

Table 1: Standards employed during the test measurements.

	Nominal value	Type	Y^{ref} traceability
Y_1	100 k Ω	Electro Scientific Industries mod. SR1, shielded	Italian national ac resistance standard.
Y_2	10 nF	Custom realization, thermostated [16]	Italian national capacitance standard.
$Y_3^{(a)}$	1 H: quality factor $Q \approx 10$ at 1 kHz	General Radio mod. 1482-P	Three-voltage method [17]
$Y_3^{(b)}$	RC box (≈ 100 k Ω , 5.2 nF)	Custom realization from Vishay components in a shielded box.	Andeen-Haegarling mod. 2700A
Y_0	100 pF	General Radio mod. 1404-A	Italian national capacitance standard.

Two impure Y_3 standards were measured at two frequencies (1 kHz and 2 kHz): $Y_3^{(a)}$ is an air-core inductor L , $Y_3^{(b)}$, a parallel RC network. Tab. 2 shows the choice of the CC tap setting n_k for each measurement.

Tab. 3 reports, for each Y_3 , the relative deviation $\Delta y = (Y_3^{\text{bridge}} - Y_3^{\text{ref}})/Y_3^{\text{ref}}$ between the bridge reading Y_3^{bridge} and the reference value Y_3^{ref} provided by the corresponding calibration.

The expression of uncertainty of the bridge measurements, which has to be evaluated in the framework of GUM Supplement 2 [18], has not been carried out yet and will be the subject of a separate work. However, the value of the deviation Δy can be compared with the calibration uncertainty of Y_3^{ref} ; in particular, Tab. 3 reports the calibration uncertainties³ $u(\text{Re } Y_3^{\text{ref}})$ and $u(\text{Im } Y_3^{\text{ref}})$ of the real and imaginary parts of Y_3^{ref} , relative to its magnitude $|Y_3^{\text{ref}}|$.

The reader can appreciate that the real and imaginary parts of Δy are compatible with the corresponding calibration uncertainties for all the measurement performed.

5. CONCLUSIONS

This paper describes the operating principle of a three-arm current comparator bridge suitable for measuring impedances having arbitrary phase angles. An implementation of the principle has been developed in the form of a digitally-assisted two-terminal pair coaxial bridge; test measurements on an

³The large values of $u(\text{Re } Y_3^{\text{ref}})$ for the L standard are caused by the large temperature coefficient of the inductor equivalent resistance, of about $3.9 \times 10^{-3} \text{ K}^{-1}$.

Table 2: CC taps n_k .

Y	n_k			
	L std		RC std	
	1 kHz	2 kHz	1 kHz	2 kHz
Y_1	-60	-30	-100	-80
Y_2	100	50	-50	-40
$Y_3^{(a,b)}$	40	80	100	80
Y_0	20	20	20	20

Table 3: Measurement results.

Std	f/kHz	Δy	$u(\text{Re } Y_3^{\text{ref}})/ Y_3^{\text{ref}} $	$u(\text{Im } Y_3^{\text{ref}})/ Y_3^{\text{ref}} $
		$\times 10^6$	$\times 10^6$	$\times 10^6$
L	1	92 - j3	57	50
	2	19 - j10	28	50
RC	1	-8.1 - j6.7	47	46
	2	-6.6 - j3.1	40	37

air-core inductor and of an RC network yielded results compatible with previous knowledge on the values of standards involved.

The development of this bridge is part of the European Metrology Research Programme (EMRP) Project SIB53 AIM QuTE, *Automated impedance metrology extending the quantum toolbox for electricity*. Deliverables of the project include the development of dedicated impure standards and an interlaboratory comparison which will allow the validation of the bridge performance.

ACKNOWLEDGMENT

The authors are indebted with Bruno Trinchera, INRIM, for the design of the current comparator employed in the bridge.

The activity has been partially financed by Progetto Premiale MIUR⁴-INRIM P4-2011 *Nanotecnologie per la metrologia elettromagnetica* and P6-2012 *Implementation of the new International System (SI) of Units*. The work has been realized within the EMRP Project SIB53 AIM QuTE, *Automated impedance metrology extending the quantum toolbox for electricity*. The EMRP is jointly funded by the EMRP participating countries within EURAMET and the European Union.

REFERENCES

- [1] S. Awan, B. Kibble, and J. Schurr, *Coaxial Electrical Circuits for Interference- Free Measurements*, ser. IET Electrical Measurement. Institute of Engineering and Technology, 2010, ISBN: 9781849190695.
- [2] L. Callegaro, *Electrical impedance: principles, measurement, and applications*, ser. in Sensors. Boca Raton, FL, USA: CRC press: Taylor & Francis, 2013, ISBN: 978-1-43-984910-1.
- [3] N. L. Kusters, "The precise measurement of current ratios," *IEEE Trans. Instr. Meas.*, pp. 197–209, Dec 1964.
- [4] N. L. Kusters and W. J. M. Moore, "The development and performance of current comparators for audio frequencies," *IEEE Trans. Instr. Meas.*, vol. 14, no. 4, pp. 178–190, Dec. 1965.

⁴Ministero dell'Istruzione, dell'Università e della Ricerca.

- [5] W. J. M. Moore and P. N. Miljanic, *The current comparator*, ser. IEE electrical measurement series. London, UK: P. Peregrinus Ltd, 1988, vol. 4, ISBN 0-86341-112-6.
- [6] L. Callegaro, V. D'Elia, and F. Pourdanesh, "A three-arm current comparator bridge for two terminal-pair impedance comparisons over the complex plane," in *Conf. Precision Electromagn. Meas. (CPEM)*, Rio de Janeiro, Brazil, 24–29 Aug 2014.
- [7] G. Lejeune Dirichlet, "Über die Reduktion der positiven quadratischen Formen mit drei unbestimmten ganzen Zahlen," *Journal für die Reine und Angewandte Mathematik*, vol. 40, pp. 209–227, 1850.
- [8] B. Trinchera, V. D'Elia, and L. Callegaro, "A digitally assisted current comparator bridge for impedance scaling at audio frequencies," *IEEE Trans. Instr. Meas.*, vol. 62, no. 6, pp. 1771–1775, 2013.
- [9] F. Cabiati and G. C. Bosco, "LC comparison system based on a two-phase generator," *IEEE Trans. Instr. Meas.*, vol. IM-34, no. 2, pp. 344–349, Jun. 1985.
- [10] G. Ramm, "Impedance measuring device based on an AC potentiometer," *IEEE Trans. Instr. Meas.*, vol. IM-34, no. 2, pp. 341–344, Jun. 1985.
- [11] A. Muciek, "Digital impedance bridge based on a two-phase generator," *IEEE Trans. Instr. Meas.*, vol. 46, no. 2, pp. 467–470, Apr 1997.
- [12] A. C. Corney, "Digital generator-assisted impedance bridge," *IEEE Trans. Instr. Meas.*, vol. 52, no. 2, pp. 388–391, 2003.
- [13] B. Trinchera, L. Callegaro, and V. D'Elia, "Quadrature bridge for R–C comparisons based on polyphase digital synthesis," *IEEE Trans. Instr. Meas.*, vol. 58, no. 1, pp. 202–206, Jan 2009.
- [14] L. Callegaro, V. D'Elia, and B. Trinchera, "Realization of the farad from the dc quantum Hall effect with digitally assisted impedance bridges," *Metrologia*, vol. 47, no. 4, p. 464, 2010.
- [15] L. Callegaro, "On strategies for automatic bridge balancing," *IEEE Trans. Instr. Meas.*, vol. 54, no. 2, pp. 529–532, Apr 2005.
- [16] L. Callegaro, V. D'Elia, and D. Serazio, "10-nF capacitance transfer standard," *IEEE Trans. Instr. Meas.*, vol. 54, no. 5, pp. 1869–1872, 2005.
- [17] L. Callegaro and V. D'Elia, "Automated system for inductance realization traceable to AC resistance with a three-voltmeter method," *IEEE Trans. Instr. Meas.*, vol. 50, pp. 1630–1633, Dec 2001.
- [18] "JCGM 102:2011, Evaluation of measurement data – Supplement 2 to the "Guide to the expression of uncertainty in measurement" – Extension to any number of output quantities," Available online at www.bipm.org, 2011.