

Improving Packet Analysis in Wireless Sensor Network using Bit Rate Classifier

Amol Shende¹, Prof. Vikrant Chole²

¹ Department of Computer Science and Engineering, G. H. Raisoni Academy of Engineering and Technology, Nagpur, India

² Department of Computer Science and Engineering, G. H. Raisoni Academy of Engineering and Technology, Nagpur, India

Abstract:-Remote sensor system (WSN) has risen as a promising innovation. Despite the fact that WSN is a promising innovation, there is still a lot of extra research required before it finally turns into a developed innovation. An extensive variety of WSN applications have been proposed, for example, living space checking, natural perceptions and estimating frameworks, wellbeing observing, and so on. In these applications, numerous low power and cheap sensor hubs are sent in an unlimited space to coordinate as a system. This paper assesses the impact of utilization of bit rate investigation on bundle approaching to the switch in the remote sensor system. The fundamental point is to accomplish an effective remote sensor system which ought to be not any more defenseless to parcel misfortune. Alternate parameters are deferral, throughput, bundle conveyance proportion, jitter and vitality. The calculation minimizes the postponement that may happen because of high activity rate by utilizing bit rate classifier in this way enhancing the throughput and different parameters.

1. INTRODUCTION

Remote sensor systems are having strong attributes. These qualities are utilized as a part of different fields where catching, assembling and breaking down of live environment information is done [9]. These powerful attributes and inward properties of individual sensor hubs and Wireless Sensor Networks varies them from other correspondence systems, and difficulties them for the advancement of correspondence conventions as far as vitality utilization as the vitality stores of the sensor hubs make the vitality utilization of fundamental importance[1]. Alongside one or more sensors, every hub in a remote sensor system is commonly furnished with a radio handset or different remote specialized gadget, a little microcontroller and a vitality source, more often than not a battery [2].

The different sorts of steering conventions are tended to in numerous zones. Contrasted with table driven conventions, on interest directing conventions can do exertion less steering overhead [10]. These sensors are battery worked and therefore require a low power protocol [14].

In this paper, a usage is completed to maintain a strategic distance from the most proper transmission of parcels at the premise of need chose. Reenactment results are introduced and broke down in point of interest to portray end to end drop or misfortune between arriving information parcels. Despite the medium access plan utilized, vitality proficiency is of most extreme significance in WSNs. The principle inspiration must be to minimize the postponement that may happen because of high movement rate. In this paper, the bit rate investigation for approaching parcels is exhibited, while need premise is considered to proceed with the stream of bundles in standard way. Alternate parameters with respect to a proficient remote sensor system are additionally assessed.

For the best possible assessment of the parameters in regards to an effective remote system, a few applications for the most part a system test system and a virtual machine are utilized. In that specific system test system alongside a virtual machine some strides are done. These strides are system arrangement, era of different sorts of system movement, programming code for bundle examination, setting need on the premise of parcel investigation, execution assessment of various system parameters.

In this paper, in area 2 some prior related work is clarified, in segment 3 framework depiction is clarified, in segment 4 reproduction results are appeared, at long last in segment 5 the conclusion and future work is given.

2. RELATED WORK

The past works done over existing framework were concentrating on execution demonstrating and in addition general streamlining of remote sensor system and their applications [1]. It likewise gives distinctive sorts of figuring's between vitality devoured by hubs and normal end-to-end delay happening in the system. The estimation of end-to-end circulation entry sorts and Q-Q plot demonstrating additionally done in past work [2].

In alternate past works, the MAC issue definition is done with regards to negligible vitality utilization. Arbitrary access and TDMA: the two MAC conventions were examined [9], [11].

The exponential between landing appropriations were ascertained with the assistance of understood MAC conventions. Be that as it may, these figurings were not likewise held in all cases. The impacts brought on by those surely understood MAC conventions additionally analyzed. [1], [14].

Alternate works done with regards to vitality preservation and diminish time idleness in which the ON/OFF Markovian MAC protocol (OOM-MAC) is utilized. This convention permits the hub to preserve vitality and decrease time dormancy through their standard rest time, that experiences to ON/OFF Markov model rules [5].

Alternate works concentrates on parameters like information movement entry process, arrangement relations among general sorts of parcels, information activity load circulation, occasion driven reporting approach, exchanging of sensor hubs between dynamic mode and rest mode. Be that as it may, no different works concentrated on the other execution qualities of remote sensor system.

The following segment give further insights about the present methodology done over the current framework concentrating on the bit rate investigation of approaching parcel and assessment of other execution attributes.

3. SYSTEM DESCRIPTION

In the past structure, the experts have focused on package section examination to analyze the groups and describe them. Regardless, in that approach the structure does not consider that the bit rate of the package changes the line length fill time and thusly makes the framework essentially vulnerable to package drops. Thusly reducing the general capability of the framework, as delay and imperativeness both developments. To keep up a vital separation from this, we propose a bit rate analyzer based

pack examination technique which will allow us to perform package examination in a more effective and gainful way. Bit rate analyzer will be made using the illustration examination computation which considers the case of the data and finds the bit rate of the structure. In case the bit rate is high then we will send the bundle to a high need line, while for lower rates we will use a lower need line. This will help us to improve the general capability by diminishing the group setback and lessening the essentialness use in the framework. It can be cleared up with the fig. given underneath.

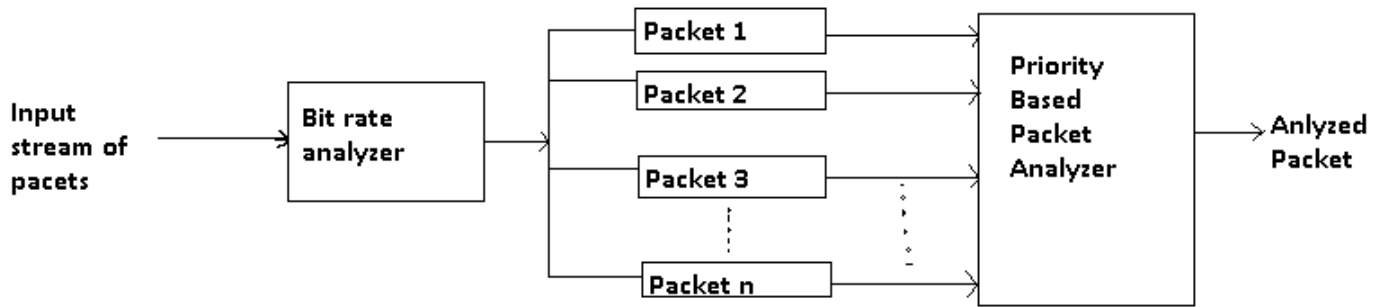


Fig. System Architecture

3.1 Utilizing VARIOUS TYPES OF BIT RATES

There are two diverse sorts of bit rates are utilized amid activity era while utilizing system test system. Steady Bit Rate(CBR) is utilized for one kind of correspondence. In this kind of bit rate, the source and destination hub conveys at consistent piece rate.

The other sort of bit rate is Variable Bit Rate(VBR). In this sort of bit rate, the source and destination hub at variable piece rate. At the season of utilization of Variable Bit Rate(VBR), there is a fluctuation in sending bundle at high piece rate or low piece rate.

3.2 Assessing OTHER NETWORK PARAMETERS

The calculation is created to assess different parameters regarding number of bundles sent. As per the calculation, assessment of system parameters is contrasted and system parameter values ascertained before the utilization of calculation. This clarifies how the calculation is more helpful. Bundle Delivery Ratio is one of the system parameters figured before applying the calculation and in the wake of applying the calculation. It is measured in rate. It can be given as

Parcel Delivery Ratio=Number of bundles got/Number of parcels sent

Jitter is one of the system parameters computed prior and then afterward applying calculation. It is measured seconds. It can be given as

Jitter=delay-mean deferral

On the off chance that Jitter after count discovered 0, then we can say the system steady generally on the off

chance that it discovered variable, then we can say the system is conflicting. Alternate parameters like postponement, vitality devoured, and throughput can likewise be ascertained.

4. SIMULATION RESULTS

The calculation is to enhance the bit rate investigation along the computation of system parameters. System test system is utilized for reenactment. The fig given beneath demonstrates the specimen screenshot (Network artist - NAM) while running the system in NS2. The NAM window demonstrates the conveyance of information from source to destination. The adaptation utilized is NS-2.31. Reproduction is done utilizing 30 hubs as a part of the system. Reproduction is performed in remote environment. The fig given underneath is drawn with the assistance of follow record in NS2. The readings are taken by watching the system conduct by differing the quantity of parcels sent.

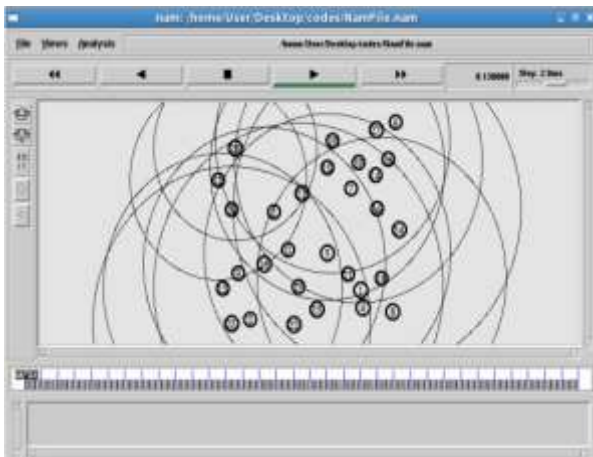


Fig. Network Simulator NS2

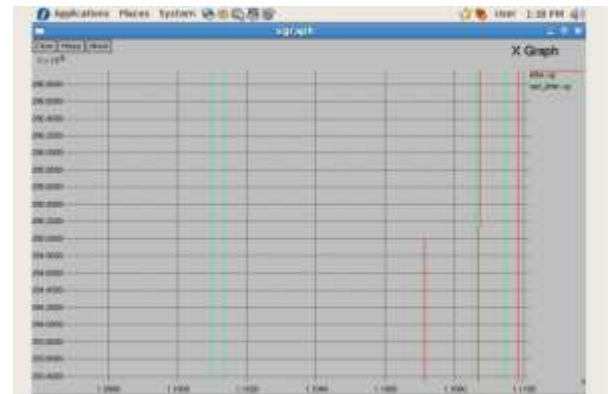


Fig. Jitter Evaluation.

5. CONCLUSION AND FUTURE SCOPE

In this paper, we understood the significance of bit rate investigation of the approaching bundle. We additionally comprehended that if the bit rate is not dissected, then there is wastefulness in system execution. This examination study will demonstrate a decent base for further research in the territory of bit rate investigation of bundle landings. In this paper we had broken down the throughput, parcel delay, bundle conveyance proportion, jitter, vitality devoured and the examination as for no. of bundles sent is performed. Thusly we can accomplish the objective of enhancing bit rate bundle investigation coming about system proficiency. The most recent adaptation of system test system will be most useful in development of system and follow document in it is additionally helpful.

In future, the framework could be created on the equipment and the execution assessment could be checked continuously. The deferral is an imperative parameter if there should arise an occurrence of ongoing activity. The postponement ought to be diminished or else it prompts unsafe circumstance on the off chance that hard continuous frameworks. Thus, it would be an awesome future work to build up the framework on the equipment and checking of execution assessment progressively.

REFERENCES

- [1] K. Doddapaneni, P. Shah, E. Ever, A. Tasiran, F. A. Omondi, O. Gemikonakli and L. Mostarda, "Packet Arrival Analysis in Wireless Sensor Networks.," in *Advanced Information Networking and Applications*, 2015 29th International Workshop on, pp. 165–169, 2015.
- [2] N. Bouabdallah, M. E. Rivero-Angeles, and B. Sericola, "Continuous monitoring using event-driven reporting for cluster-based wireless sensor networks," *IEEE Transactions on Vehicular Technology*, vol. 58, no. 7, pp. 3460–3479, 2009.
- [3] Y. Wang, M. C. Vuran, and S. Goddard, "Cross-layer analysis of the end-to-end delay distribution in wireless sensor networks," *IEEE/ACM Transactions on Networking (TON)*, vol. 20, no. 1, pp. 305–318, 2012.
- [4] I. F. Akyildiz, W. Su, Y. Sankarasubramaniam, and E. Cayirci, "Wireless sensor networks: a survey," *Computer networks*, vol. 38, no. 4, pp. 393–422, 2002.



Fig. Delay Evaluation

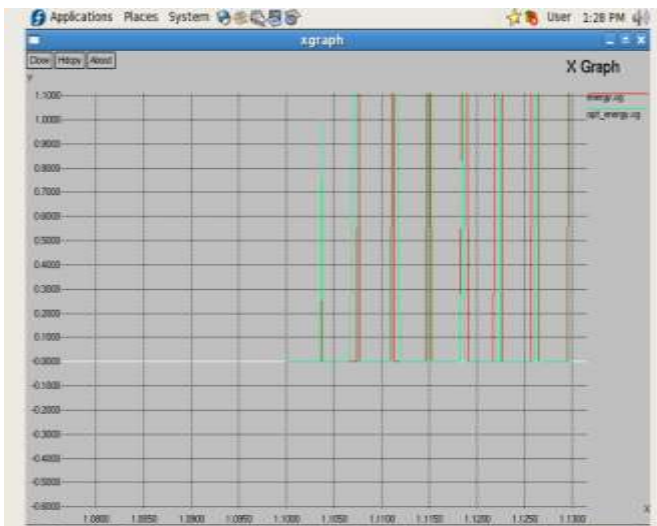


Fig. Energy Evaluation.

- [5] I. Dbibih, O. Zytoune, and D. Aboutajdine, "On/off markov model based energy-delay aware mac protocol for wireless sensor network," *Wireless Personal Communications*, vol. 78, no. 2, pp. 1143–1155, 2014.
- [6] F. Omondi, E. Ever, P. Shah, and O. Gemikonakli, "Modelling wireless sensor networks for performability evaluation," in *Ad-hoc, Mobile, and Wireless Network (J. CichoÅ D, M. GEI'bala, and M. Klonowski, eds.)*, vol. 7960 of *Lecture Notes in Computer Science*, Springer Berlin Heidelberg, 2013.
- [7] Y. Zhang and W. W. Li, "Modeling and energy consumption evaluation of a stochastic wireless sensor network.," *EURASIP J. Wireless Comm. and Networking*, p. 282, 2012.
- [8] Y. Zhang and W. Li, "An energy-based stochastic model for wireless sensor networks.," *Wireless Sensor Network*, vol. 3, no. 9, pp. 322–328, 2011.
- [9] L. Chaari and L. Kamoun, "Wireless sensors networks MAC protocols Analysis.," *Journal of telecommunications*, vol. 2, issue 1, April 2010.
- [10] E. Gnanamanoharan and R. Bensraj, "Impact of Variable Bit Rate and Packet Size on the Performance Evaluation of Neighbor Aware AODV and DSDV Routing Protocols for MANET's.," *International Journal of Computer Applications*, Volume 92 – No.8, 0975 – 8887, 2014.
- [11] Q. Wang, "Traffic Analysis & Modeling in Wireless Sensor Networks and Their Applications on Network Optimization and Anomaly Detection.," *Network Protocols and Algorithms*, Vol. 2, No. 1, 1943-3581, 2010.
- [12] T. R. Burchfield, S. Venkatesan and D. Weiner, "Maximizing Throughput in ZigBee Wireless Networks through Analysis, Simulations and Implementations.," *Wireless Monitoring Solutions*, pp. 1-13, 2014.
- [13] P. Moravek, D. Komosny, M. Simek, D. Girbau, A. Lazaro, "Energy Analysis of Received Signal Strength Localization in Wireless Sensor Networks.," *Radioengineering*, vol. 20, no. 4, 2011.
- [14] B. Latré, P. D. Mil, I. Moerman, B. Dhoedt and P. Demeester, "Throughput and Delay Analysis of Unslotted IEEE 802.15.4.," *Journal of Networks*, vol. 1, no. 1, 2006.
- [15] M. Sharma, Prof. R. L. Dua, "Evaluation of Different Performance Metrics of Wireless Sensor Networks in Different Topologies Using DSR Routing Protocol in NS-2 Simulator.," *International Journal of Advanced Research in Computer Science and Software Engineering*, vol. 3, issue 4, 2013.
- [16] G. Miezitis, R. Taranovs, "Passive Wireless Sensor Network Analyzing at Medium Access Level.," *Scientific Journal of Riga Technical University Computer Science. Technologies of Computer Control*, vol.48, 2011.
- [17] K. Doddapaneni, E. Ever, O. Gemikonakli, I. Malavolta, L. Mostarda, and H. Muccini, "Path loss effect on energy consumption in a wsn," *Computer Modeling and Simulation, International Conference on*, vol. 0, pp. 569–574, 2012.
- [18] N. Bisnik and A. A. Abouzeid, "Queuing network models for delay analysis of multihop wireless ad hoc networks," *Ad Hoc Networks*, vol. 7, no. 1, pp. 79 – 97, 2009.
- [19] G. Gupta and N. Shroff, "Delay analysis for multi-hop wireless networks," in *INFOCOM 2009, IEEE*, pp. 2356–2364, April 2009.
- [20] T. He, J. Stankovic, C. Lu, and T. Abdelzaher, "Speed: a stateless protocol for real-time communication in sensor networks," in *Distributed Computing Systems, 2003. Proceedings. 23rd International Conference on*, pp. 46–55, May 2003.
- [21] T. Qiu, L. Feng, F. Xia, G. Wu, and Y. Zhou, "A packet buffer evaluation method exploiting queueing theory for wireless sensor networks.," *Comput. Sci. Inf. Syst.*, vol. 8, no. 4, pp. 1028–1049, 2011.
- [22] A. F. Mini, B. Nath, and A. A. F. Loureiro, "A probabilistic approach to predict the energy consumption in wireless sensor networks," pp. 23–25, 2002.
- [23] P. Gupta and P. Kumar, "The capacity of wireless networks," *IEEE Transactions on Information Theory*, vol. 46, no. 2, pp. 388–404, 2000.
- [24] S. Shakkottai, R. Srikant, and N. Shroff, "Unreliable sensor grids: coverage, connectivity and diameter," vol. 2, pp. 1073–1083 vol.2, 2003.
- [25] G. Ferrari, P. Medagliani, S. D. Piazza, and M. Martalò, "Wireless sensor networks: performance analysis in indoor scenarios," *EURASIP J. Wirel. Commun. Netw.*, no. 1, pp. 41–41, 2007.
- [26] G. Bianchi, "Performance analysis of the ieee 802.11 distributed coordination function," *IEEE J. Sel. A. Commun.*, vol. 18, pp. 535–547, Sept. 2006.
- [27] J. Mistic, S. Shafi, and V. Mistic, "Performance of a beacon enabled ieee 802.15.4 cluster with downlink and uplink traffic," *IEEE Transactions on Parallel and Distributed Systems*, vol. 17, no. 4, pp. 361–376, 2006.
- [28] I. Ramachandran, A. K. Das, and S. Roy, "Analysis of the contention access period of IEEE 802.15.4 MAC," *ACM Trans. Sen. Netw.*, vol. 3, no. 1, p. 4, 2007.
- [29] M. Martalò, S. Busanelli, and G. Ferrari, "Markov chain-based performance analysis of multihop ieee 802.15.4 wireless networks," vol. 66, no. 12, pp. 722–741.
- [30] J. Mistic, J. Fung, and V. Mistic, "Interconnecting 802.15.4 clusters in master-slave mode: queueing theoretic analysis," in *ISPAN 2005. Proceedings. 8th International Symposium on Parallel Architectures, Algorithms and Networks*, pp. 8 pp.–, 2005.
- [31] J. Mistic and R. Udayshankar, "Slave-slave bridging in 802.15.4 beacon enabled networks," in *Wireless Communications and Networking Conference, 2007. WCNC 2007. IEEE*, pp. 3890–3895.
- [32] I. Emary and S. Ramakrishnan, *Wireless Sensor Networks: From Theory to Applications*. Telecommunications books, Taylor & Francis, 2013.
- [33] M. B. Wilk and R. Gnanadesikan, "Probability plotting methods for the analysis of data.," *Biometrika*, vol. 55, pp. 1–17, Mar. 1968.
- [34] S. Millard, N. Neerchal, and P. Dixon, *Environmental Statistics with S-PLUS*. Chapman & Hall/CRC Applied Environmental Statistics, Taylor & Francis, 2000.
- [35] R. M. Hirsch, R. B. Alexander, and R. A. Smith, "Selection of methods for the detection and estimation of trends in water quality," *Water Resources Research*, vol. 27, no. 5, pp. 803–813, 1991.