

4-9-1987

The Murray Ledger and Times, April 9, 1987

The Murray Ledger and Times

Follow this and additional works at: <https://digitalcommons.murraystate.edu/mlt>

Recommended Citation

The Murray Ledger and Times, "The Murray Ledger and Times, April 9, 1987" (1987). *The Murray Ledger & Times*. 3816.

<https://digitalcommons.murraystate.edu/mlt/3816>

This Newspaper is brought to you for free and open access by the Newspapers at Murray State's Digital Commons. It has been accepted for inclusion in The Murray Ledger & Times by an authorized administrator of Murray State's Digital Commons. For more information, please contact msu.digitalcommons@murraystate.edu.

Local News

75 years

Sinking of Titanic marks anniversary

See page 12

Sports

Hard loss

MHS drops extra-inning affairs to Madisonville

See page 15

OVC test

'Breds to travel to APSU this weekend

See page 15

The Murray Ledger & Times

Serving Murray and Calloway County since 1879



MURRAY, KENTUCKY 42071

VOLUME 108 NO. 84

THURSDAY AFTERNOON, APRIL 9, 1987

25 CENTS

News In Brief

Five 'bored' teen-agers arrested for the defacing of Lincoln's tomb

SPRINGFIELD, Ill. (AP) — Five teens have been arrested in connection with the weekend spray-painting of racist slogans and symbols on Abraham Lincoln's Tomb, a police spokesman says.

Three 16-year-old boys and two 15-year-old girls were arrested Tuesday night, after the weekend incident in which about 30 tombstones were also knocked over or broken in the Oak Ridge Cemetery. The youths told police they didn't have anything to do and were bored, said police spokesman Mike Murphy.

The youths could be charged with criminal damage to property and criminal damage to state-supported property, Murphy said, adding police do not release the names of juvenile suspects.

The graffiti, in red and white, covers about two-thirds of the monument's west side and included names, obscenities, slogans and religious symbols. It was discovered Sunday morning.

The vandals also apparently sprayed their names on the monument, said Murphy, adding the names helped police identify the suspects.

Nan Wynn, site supervisor for the state monument, said she felt sorry for the youths.

"Maybe they didn't think," she said. "Maybe they didn't know better."

The vandals left two cans of spray paint at the scene, and the graffiti included the words "white power," a flaming cross, and the words "party hearty" on the tomb of the nation's 16th president.

Elsewhere...

By the Associated Press

WASHINGTON — The arrest of another Marine guard on espionage charges is deepening fears of Soviet penetration of U.S. embassies, and Secretary of State George P. Shultz says the spying casts a "heavy shadow" over superpower peace talks.

WASHINGTON — A security expert familiar with the ways nations eavesdrop on one another believes the U.S. Embassy in Moscow can never be made completely free of listening devices.

NEW YORK — Rescuers using dogs and spotlights worked through the night to search for missing people after an explosion blew apart two buildings, killing at least six people and injuring 28 others.

WASHINGTON — An inquiry by Attorney General Edwin Meese III that showed possible diversion of funds to Nicaraguan rebels is under scrutiny again after it was disclosed the Justice Department and the FBI had raised questions earlier about activities of Oliver L. North.

BOSTON — Natural chemicals that boost the body's built-in vigilance against disease may provide a powerful new weapon in the war on cancer, but experts caution that this promising field is still in its infancy.

WASHINGTON — Top finance officials of the world's seven major industrial powers are sending out another message of solidarity in an effort to calm worried currency markets and head off a threatened trade war.

WASHINGTON — Air traffic control miscues that resulted in planes coming closer than federal regulations permit soared by 18 percent during the first three months of the year, the Federal Aviation Administration says.

WASHINGTON — The House is rejecting President Reagan's budget for one of its own, a Democratic vision of fiscal 1988 with less military spending, stronger domestic programs and higher taxes than Reagan says he'll allow.

Permanent artificial heart recipients

When they received implants, how long they survived

- Barney Clark: Dec. 12, 1982-March 23, 1983 (102 days)
- William J. Schroeder: Nov. 25, 1984-Aug. 6, 1986 (620 days)
- Murray Haydon: Feb. 17, 1985-June 19, 1986 (488 days)
- Leif Stenberg: April 7-Nov. 21, 1985 (229 days)
- Jack Burcham: April 14-24, 1985 (10 days)

Not listed are patients receiving temporary implants while awaiting real heart transplants

Chicago Tribune Graphic. Source: Chicago Tribune news reports



Today's Index

- One Section — 24 Pages
- Arts & Entertainment 16
- Classifieds 18-23
- Comics 18
- Crosswords 18
- Dear Abby 18
- Horoscope 13
- Murray Today 4-9
- Obituaries 17
- Perspective 3
- Sports 14, 15

MISS YOUR PAPER?

Subscribers who have not received their home-delivered copy of **The Murray Ledger & Times** by 5:30 p.m. Monday, Friday or by 3:30 p.m. Saturday are urged to call 753-1916 between 3:30 p.m. and 6 p.m., Monday through Friday, or 3:30 p.m. and 4 p.m. Saturday. Office Hours — 8 a.m.-5 p.m. Monday thru Friday, 8 a.m.-12 p.m. Saturday.



Forecast
Tonight: Mostly clear. Low in the lower 40s. Light wind.
Friday: Partly sunny and continued mild. A 30 percent chance of afternoon showers. High in the mid 70s. Southwest wind around 10 mph.

Extended Forecast
The extended forecast calls for scattered showers Saturday with a low in the upper 40s and a high around 60.

LAKE LEVELS
Kentucky Lake 355.8
Barkley Lake 355.9

The original 'Elephant Walk'



Trainer Bill Commerford leads "Dolly" around as the elephant gives a ride to some local children. Dolly appeared at McDonald's Wednesday as part of a promotion for today's performances of the Shrine Circus at the West Kentucky Livestock and Exposition Center. Besides the 10 a.m. showing earlier, there will be a performance at 2 p.m. and at 7 p.m. this evening. The Shrine Circus is a combination presentation from the Rizzpah Temple and Circus International.

Staff photo by Scott Wilson

Carroll says Beshear should withdraw from governor's bid

FRANKFORT, Ky. (AP) — Former Gov. Julian Carroll has sent a letter to Lt. Gov. Steve Beshear asking Beshear to withdraw from the Democratic race for governor.

"It seems to me that it is high time for you to face up to the reality that you cannot defeat (former Gov. John Y. Brown Jr.), and that your continued candidacy can do no more than stand in the way of mine," Carroll said in his letter on Wednesday.

Beshear did not take the request to heart.

"Poor old Julian; it sounds like the pressure of this race is really getting to him," Beshear said in a

(Cont'd on page 2)

Paul Simon says he will enter race for White House



Sen. PAUL SIMON

WASHINGTON (AP) — Sen. Paul Simon of Illinois, saying he offers "leadership that will build, that will care, that will dream," said today he will formally enter the race for the 1988 Democratic presidential nomination on May 18.

The 58-year-old liberal politician with a penchant for bow-ties told reporters in the Capitol that he had authorized the formation of a presidential committee to start work on his campaign.

Simon's candidacy will be a dark-horse bid, but he declared he can win.

Simon, whose first election victory came in 1955, is entering a

field already crowded with Democrats little-known outside their home regions but hoping to break away from the field in the early contests in 1988.

Gary Hart, the former Colorado

(Cont'd on page 2)

TVA proposes freezing energy power rates

KNOXVILLE, Tenn. (AP) — Because of mounting pressure, the Tennessee Valley Authority proposes to freeze rates paid by the U.S. Energy Department for power to three East Tennessee facilities and a Paducah, Ky., gaseous diffusion plant, a TVA spokesman said.

"We are offering to DOE to freeze its payments at current rates and not pass on any rate increases for the rest of the contract — from now until March 1994," TVA spokesman Tom Sweeten said Wednesday.

If the Energy Department accepts such a plan, it would be liable for nearly \$2.2 billion in electrical power it contracted for, and any rate increases would not be added to its payments, Sweeten said.

Energy Department officials have criticized the federal utility for holding the DOE to a 1967 contract. The DOE at that time assumed it would need massive amounts of power to enrich uranium for the nation's nuclear reactors.

To meet the expected needs, the TVA during the 1960s and '70s began building several nuclear reactors but later had to cancel some of them when the market for the DOE's uranium-enrichment services declined. Both agencies share in writing off those plants, officials said.

The Energy Department owns the Oak Ridge Gaseous Diffusion Plant, the Y-12 nuclear weapons plant and the Oak Ridge National

(Cont'd on page 2)

Senate committee OKs budget on 13-11 vote

WASHINGTON (AP) — The Senate Budget Committee approved a fiscal 1988 budget Wednesday despite Republicans' protests that it cut too deeply into defense.

The panel, in a 13-11 party-line vote, approved the \$1 trillion spending plan proposed by chairman Lawton Chiles, D-Fla.

Military spending would be held

to \$284 billion in the fiscal year beginning Oct. 1, some \$13 billion below President Reagan's request. Chiles also included tax increases far in excess of Reagan's plan, which will cause a confrontation Reagan has promised would end with his veto.

Many domestic programs would also be cut or frozen with no

allowance for inflation under the Chiles plan. The chairman complained he was being attacked on all sides, but said that might be a sign he had struck the right balance.

But Sen. Pete V. Domenici, R-N.M., led Republicans in solid opposition to the proposal and promised a floor fight to increase

military spending.

"I don't believe there is support for this defense number on the floor of the Senate at all," Domenici said. Republicans declined to offer amendments in committee, saying they would have a better chance for success before the full Senate.

MSU alumni surpass goals of phonothon coordinators

Murray State University alumni pledged over \$55,000 to their alma mater in telephone fundraisers held earlier this spring at the university.

According to Carol Julian, director of the Annual Fund in the Office of Development, the amount pledged exceeded pre-phonothon goals by several thousand dollars. Approximately 8,100 contacts were made with more than 2,400 of those making a pledge to Murray State.

The first phase of fundraising was a phonothon for the MSU Foundation's Annual Fund. Approximately 300 student volunteers solicited support for the Annual Fund Feb. 2 through 5 and 9 through 12.

Kim Graves of Marion, Ill., a

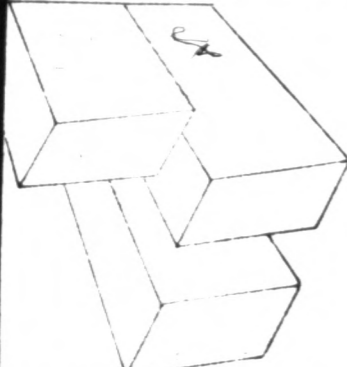
(Cont'd on page 2)



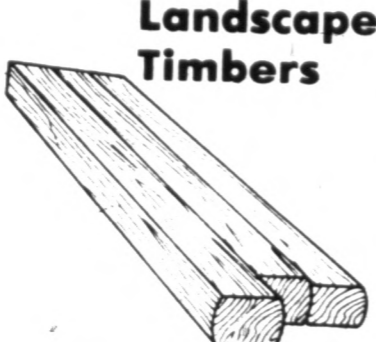
Students and faculty at Murray State University joined forces earlier this spring to participate in two telephone fundraisers for Murray State. Phonothons for the MSU Foundation Annual Fund and the College of Business and Public Affairs Partners Fund netted over \$55,000 in pledges from MSU alumni.

Treas

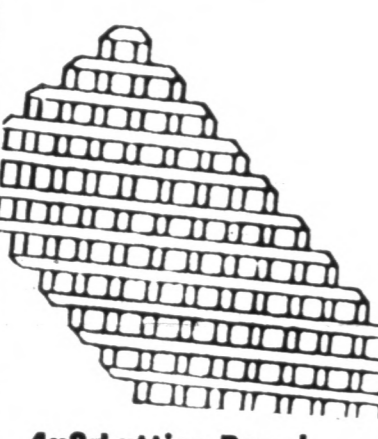
Your Complete Home Building Supply Center




2x4 Economy Studs
.87 ea.



Landscape Timbers
4 ft. **1.79**
8 ft. **2.97**

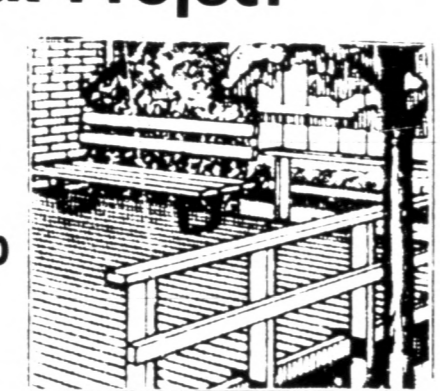


4x8 Lattice Panels
10.97 Cedar
9.97 Treated



Genova RAINGO
Brown or White Guttering with super tough enamel finish.
100544, 105692 **3.88** 10 Ft.

Deck Project

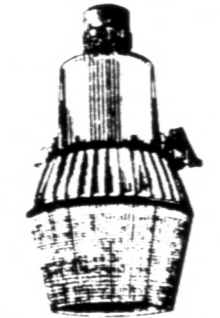


6x8 **65.00**
8x10 **89.00**

Treated lumber is pressure treated to resist insects & decay. 30 year warranty. Posts, Steps, Railing, Benches, Concrete Are Not Included. See store for component list.



ARNOLD
Lawn Mower Tune-up Kit
3.28
742897



Outdoor Mercury Fixture Security Light
27.97
524329
7.00 Rebate



Skill Cordless Screwdriver
21.88
309761

50% Off List



Merillat
AMERICA'S CABINET MAKER

Bring in your kitchen plans for free estimate. Hurry while supplies last!

Entry Lock Set 7.99 <small>20844</small>	Garden Hose Nozzle 2.87 <small>11222</small>	Diamond Building Wire 19.99 <small>250+ 5120</small>
--	--	--

Treas Do-it-center.
Bel Air Shopping Center Murray, KY
Sales Ends **789-1390**
April 18 Open 7 Days A Week
Your Complete Home Building Supply Center
Mon.-Fri. 7:30-7:00 Sat. 8-6 Sun. 1-5

Goals...

(Cont'd from page 1) graduate assistant in the office of Development, organized the eight night fundraiser. She noted that pledges for the Annual Fund totaled almost \$29,000, a sizeable increase over the 1986 total of \$20,000. Callers contacted 3,850 alumni who were selected based on their graduation year or their participation in the 1986 phonathon, Miss Graves explained. Approximately 1,600 pledges were received. The annual Fund is a major initiative in a development effort aimed at increasing support for the university from private sources, Mrs. Julian said. Dollars pledged to the Annual Fund may be designated for a specific college, department or scholarship or may be unrestricted. Unrestricted pledges are used to meet the university's most pressing needs. Members of the Murray State track team and MSU honor students telephoned their alumni counterparts to solicit pledges, Miss Graves added. The second phase of fundraising was sponsored by the College of Business and Public Affairs Feb. 15-19 and 22-26 on behalf of the Partners Fund. Approximately 250 student and faculty callers participated in the event, making 4,264 calls. Their contacts netted \$27,000 in pledges from 796 alumni compared to \$15,500 pledged by 480 alumni in 1986. The average dollar amount per pledge was \$3.92 with individual pledges ranging from \$5 to \$1,000. Tom Shepherd of Clinton served as student coordinator for the partners Fund phonathon, assisted by Beverly Claybrook of Trenton, Tenn., and Mike Hamlet of Symsonia. Dr. Jules Harcourt, faculty coordinator of external relations from the college, also assisted with the project. Donations made to the Partners Fund will be used to enhance programs in the College of Business and Public Affairs in various ways, Dr. John Thompson dean of the college, said.

Carroll... (Cont'd from page 1) statement released by his campaign. "This letter is too ridiculous for any response." Sandy Cors, Carroll's press secretary, said the letter was serious. "It wasn't a stunt," Ms. Cors said. Ms. Cors said Carroll may ask Brown to withdraw as well.

Belcher arrested; burglary charged George Belcher, 22, of Murray, was arrested yesterday afternoon and charged with third degree burglary and theft over \$100, according to Calloway County sheriff's deputy Dan Bazzell. Bazzell said the arrest was made in connection with the alleged burglary of two out buildings, the theft of items in a utility truck and items stolen from vehicles in the Medye subdivision in Col-dwater on April 5. Belcher is lodged in the Calloway County Jail on a \$2,000 cash bond, Bazzell said.

Read the want ads daily

Political updates

Beshear outlines platform for education in Kentucky

FRANKFORT, Ky. (AP) — Lt. Gov. Steve Beshear has released the remainder of his education platform but says he still cannot put a pricetag on it. Beshear said during a news conference Wednesday that it could take six to 10 years to implement all of his ideas and it is not possible to determine the cost of his ideas until they are put in place. But the Democratic candidate for governor said he expects the state's General Fund to grow by \$233 million in fiscal year 1989 and steadily thereafter. That money would be sufficient to cover his education program and all other areas of state government without a tax increase, he said. Beshear said education is the key to success in Kentucky and cannot be overemphasized. "Education is the basis for a better life for all Kentuckians, young and old, rich and poor, black and white, male and female," Beshear said. Beshear said his education platform contains seven key initiatives: — A comprehensive plan for education. Such a plan should be developed by all parts of the education community to "set a common agenda for policy and program development," Beshear said.

— System evaluation and monitoring. Beshear said such evaluation would extend to teachers, students and entire school systems. — Early childhood development. As he first outlined last week, Beshear called for preschool and child care programs for every Kentuckian who wants them. — "Greenhouse" schools. Such programs at existing schools would tie together business, university and local communities to develop innovative curricula. — University governing boards. Beshear pledged to remove trustees and regents, though he did not say how that would be done. — Research and development. Emphasis would be placed on such activities at universities with the intent of improving the state's science and technology base. — Adult literacy. Beshear said he would tie welfare payments to literacy and adult education programs. "I propose a comprehensive education strategy that will provide a lasting foundation for growth and prosperity — not only economic growth, but social and cultural prosperity as well," Beshear said.



Drex Davis Jr.

Drex Davis candidate for Kentucky auditor

A blend of education and experience is what Drex Davis, Jr., believes will lead him to the position of state auditor. Davis, who is seeking the Democratic nomination in the May 26 primary, stopped in Murray Wednesday during a campaign swing through Western Kentucky. "I have better qualifications and more experience than my opponent," said Davis. "I know local government as well as anybody." Davis is running against Bob Bab-bage, a Lexington city councilman.

Although a newcomer on the political scene, Davis has over 10 years of state government service. The 34-year-old Frankfort native worked in the Department of Local Government before retiring in mid-September to campaign full time. In that position, Davis worked with county officials in the areas of accounting, budgeting, investing and financial problems. "I believe that my knowledge of the Uniform System of Accounts for Kentucky counties will enable me to immediately assume the duties of state auditor without orientation," said Davis, the son of retiring Secretary of State Drexell R. Davis, Sr.

If elected, Davis, a 1975 Morehead State graduate, has certain things he believes the office of state auditor should do. "The position of state auditor should audit state agencies, have a timely audit for local officials because the quicker it is done the less it costs, bid services for CPA firms for audits on a state level and use a peer group audit for the office of state auditor," Davis commented.

Davis' critics claim that the candidate is running on his father's name. He strongly disagrees. "I am running for the position of state auditor, an office my father never held," Davis said. "Just because my father is a public official, I should not be penalized. I am a fresh face."

It's Our 8th Anniversary!

Wish Mr. Gatti's a "Happy Birthday" and get a FREE PEPSI with any of the specials!



THURSDAY SPECIAL Any Medium Pizza Only \$6.99	FRIDAY SPECIAL Any Large Pizza Only \$8.99
SATURDAY SPECIAL Buy any large pizza, your choice of toppings, get a second pizza Only \$3.00	SUNDAY SPECIAL Any large pizza PLUS 2 Free Cheri Movie Tickets for the fantastic price of Only \$13.99

The best pizza in town. Honest!



Dine-In, Pick-Up or Delivery
New Delivery Hours
Mon.-Thurs 11 a.m. — 10 p.m.
Fri.-Sat. 11 a.m. — 12 p.m. Sun. 12-10 p.m.
Chestnut Street **753-6656**

Specials not valid with any other special



LET US ENTERTAIN YOU
THE MURRAY THEATRES

PERSPECTIVE

The Murray Ledger & Times

Letter to the editor

Dear Editor:

A joint resolution to promote patriotic values in schools was unanimously approved by the 1986 Kentucky Senate. The bill asked that each Kentucky public school display a permanent plaque bearing the preamble to the Kentucky Constitution including the words: "WE THE PEOPLE OF THE COMMONWEALTH OF KENTUCKY, (ARE) GRATEFUL TO ALMIGHTY GOD FOR THE CIVIL, POLITICAL AND RELIGIOUS LIBERTIES WE ENJOY..."

That bill then went for approval to Rep. Roger Noe, Chairman of the House Education Committee, who ruled it unworthy of time for consideration in his committee. The bill died in his hands. Noe chose to ignore the unanimous will of the Senate and support from Senators Ford and McConnell, former Governors Brown, Carroll, Nunn and Chandler and from Gary Bauer, Director of the White House office of Policy Development.

Now Roger Noe seeks to become Kentucky Superintendent of Public Instruction as the chosen candidate of the Kentucky Education Association which also ignored appeals to support the posting of patriotic plaques in schools. Voters will be heartened to hear a different view

from other candidates of Public Instruction:

Shirleen Sisney, former National Teacher of the Year, who chose not to ask for the endorsement of KEA: "It is my belief that by reminding Kentucky's schoolchildren of their heritage we are able to reinforce their awareness and pride in our commonwealth's civil and religious freedom. Therefore I endorse this resolution. You may count on my enthusiastic support."

Raymond Barber: "I join with the countless number of Kentucky citizens who believe in the ideals of our forefathers, and fervently support our public schools of Kentucky displaying the Preamble of our Constitution."

John Brock: "Posting the preamble in our schools would be a step toward revitalizing patriotism and ensuring that our Kentucky heritage is passed on to young people. Public schools face serious problems. The Ten Commandments are down from the school wall and crime is up. School prayer is out and alcohol and drugs are in. I cannot help but believe that these events are related."

Sam B. Peavey, Ed. D. Professor of Education Emeritus Louisville, KY

Looking back

Ten years ago

Miss Teri Morris, senior at Calloway County High School and daughter of Mr. and Mrs. Teddy Morris, is Miss Spring of 1979 for the special edition of the Murray Ledger & Times.

Calloway County School Health Program was chosen as Honor School Health Program of Kentucky by Kentucky Health Association at a meeting at Cumberland Falls State Park. Lucille Ross R.N. is health coordinator for Calloway County schools.

Murray High School Marching Band will participate in Marching Bands of America second annual national high school marching band championship competition June 1-5 at University of Wisconsin, Whitewater.

Maurice H. Ryan of Murray was recognized in a special expression of appreciation for longest tenure of service on Board of Directors of Kentucky School Board's Association at a recent board meeting.

Arlie Scott, associate professor of animal science at Murray State University, was presented an award for meritorious service by Calloway County 4-H Club Council at 4-H Achievement and Leader Recognition banquet on April 2.

Twenty years ago Michael B. Jeffres of Murray is pictured being presented a four-year ROTC scholarship by Col. Lance E. Booth, professor of military science at Murray State University.

Army Capt. Dan R. Pugh, son of Mrs. Elrita Carr of Murray, has been assigned to First Logistical Command in Vietnam.

Howard (Buster) McCallon, Lubie Parrish, James Harrison, J.B. Burken and Jim Washer are new officers of Kirksey Baseball Association. Board members include Urban Belcher, John Baker, Ray Broach, Teddy Bean, Wayburn Wyatt, James Tucker and Jack Cain.

Elected as 1967-68 varsity cheerleaders at Calloway County High School were Yvette Watson, Cathy Harris, Judy Kelso, Gail Furches, Cathy Johnston and Pam Cooper.

Miss Ginger Pierce, daughter of Mr. and Mrs. James H. Pierce of Murray, and Scott Nall Jr., son of Mr. and Mrs. Scott Nall of Mayfield, were married April 4 by the Rev. Lloyd Wilson at his home.

Dr. Howard Giles of Department of Economics at Murray

State University spoke about "The Consumer and Her Dollar" at a meeting of Delta Department of Murray Woman's Club.

Thirty years ago

The old Paris to Murray road is open to traffic once again with completion of a temporary bridge over White Oak Creek, according to John Ramsey, county road commissioner.

Floyd Burdette, coach at University of Tennessee Martin Branch, was principal speaker at Murray State College Basketball Banquet last night. Rex Alexander is basketball coach and Gene Landolt is assistant coach.

Births reported at Murray Hospital include a boy to Mr. and Mrs. Joe Davenport, a boy to Mr. and Mrs. Charles Mathis, a girl to Mr. and Mrs. Bobby Clayton, a boy to Mr. and Mrs. Edwin Cain, a boy to Mr. and Mrs. Billy Erwin and a boy to Mr. and Mrs. Hugh Alexander.

Mrs. C.S. (Lillian) Lowry, English teacher at Murray Training School, talked about her year as an exchange teacher in Japan at a meeting of Fulton Woman's Club at Fulton.

Mrs. L.A. Moore presented a program on "Color Harmony in Flower Arrangements" at a meeting of Garden Department of Murray Woman's Club. The department planned an Easter Egg Hunt for all children, 10 or younger, of all MWC members on April 13 with Mrs. J.B. Wilson and Mrs. Noble Farris in charge.

GRAFFITI

WHEN YOU ASK SOME PEOPLE HOW THEY MADE THE WORLD THEIR OYSTER, THEY CLAM UP

4-1

Garrott's Galley

Nearing 73 and after 62 years of golf, he almost shoots his age when he plays



By M.C. Garrott

You don't find many golfers who love the game any more than my friend, Al Jones. He has been playing more than 62 years, ever since, at the age of 11, he started caddying at the old Paducah Country Club for 25 cents for nine holes.

And, you don't find many golfers, who, on the threshold of 73 years of age, can almost shoot his age on an 18-hole round. Al will be 73 July 2, and he consistently scores in the high or mid-70s, regardless of where he plays.

He plays "every day it doesn't rain all day," either at the Murray Country Club or the Murray State course east of town, both of which he is a member. Jimmy Boone, James Parker, Buddy Parker, Bill Bogard, Jiggs Lassiter and our retired circuit judge, James Lassiter, are among his most frequent playing companions.

For the past 12 years, though, Al has given unselfishly of his time to work with the junior golfers at the Murray Country Club. Each Thursday morning during the summer, he's teaching them — some 50 or 60 of them and ranging in age from four through high school — to play or improve their game.

This summer, he will be in charge of the juniors altogether, succeeding Judy Muehleman, whom he helped for several years but who is stepping down.

Al has had two holes-in-one in his day but he hasn't been credited with either. The first came while he was living in Detroit. He was playing in a foursome at the Palmer Park course, one of the six public layouts in the Detroit area.

They were playing the 9th hole, a 155-yard, par 3 hole, which was bordered on one side by a busy thoroughfare, Woodward Avenue. When it came Al's time to hit, he pulled his tee shot out of bounds. The last he saw of it, it was bouncing merrily among the cars in the Woodward Avenue traffic.

That cost him a penalty stroke, so he was hitting three when he hit

his second ball from the tee. This shot, however, went into the cup, giving him a par 3 on the hole. It didn't count as a hole-in-one, just a 155-yard "hole out."

The second time he hit a tee shot into a cup was one afternoon when he was playing alone at the Murray Country Club. On the 155-yard second hole, he hit his tee shot into the cup for a hole-in-one — but, unfortunately, he was the only one who saw it. Someone must witness such a shot to make it official.

Al was born in the Faxon area of Calloway County, one of five children — two boys and three girls — of a country, one-room school teacher. His father, Alvin, died four years ago at the age of 92. His mother, the former Minnie Campbell, was 89 at the time of her death two years ago. Only Al and his twin brother, Albert, who lives in Memphis, survive.

He had just started to school at the old Liberty School, east of town, when his father quit teaching, started to sell insurance and moved to Hickman, where the family lived for three years before moving to Paducah.

Two years later, he started caddying at the old Paducah Country Club, which is still a golf and tennis club, although most of its members have moved to their new course on Blandville Road, the Country Club of Paducah.

Bob Brown was the pro, and the late Louis Slusmeyer, who was instrumental in starting the Murray Country Club, was working in the pro shop, repairing clubs, most of which in those days were wood shafted. The course had sand greens, although the caddies weren't permitted to play them.

About that time, a nine-hole course with sand greens was built as a public course at Bob Noble Park. "That was the first public course I had ever heard of," he said, and it was there that he first

began to play the game.

Among the prominent Paducahans he caddied for at the Paducah Country Club was the late Ed Paxton, Sr., father of Fred, Frank and Ed Paxton over there today, and who never played golf until he was 54 years of age.

It was Mr. Paxton who urged Al to play golf, even lending him his clubs so he could play in a tournament at the Noble Park course. Mr. Paxton, Al recalls, also organized tournaments for the caddies and would give each one who participated a "brand new one-dollar bill."

Then, about 1927, a new 18-hole course was built out near Lone Oak and equipped with grass greens, a new and coming thing. These were the first grass greens he ever saw, or played on as they let the caddies play on them every Monday.

Originally known as Lakeview Country Club, the layout is known today as Rolling Hills. It is one of the most challenging courses in the area. "We were living on 31st Street at the time," he said, "and they were paying caddies 30 cents for nine holes at Lakeview, so I quit caddying at Paducah Country Club and walked the five miles to Lakeview to get that extra nickel."

When Al was 15 years old, his family moved to Memphis, where he caddied at the Memphis Country Club. He began playing a lot of golf then as there were three public courses in the city. He played them at every opportunity.

His family then moved back to Murray, where they lived for only a short time before moving on to Detroit, as so many of our people did in those days.

In 1935, Al joined the Army and was assigned to the Field Artillery. He had just entered the Regular Army Reserve when, on Feb. 3, 1941, he was called back to active service as the U.S. stood threatened with war.

He served throughout World War II with an engineer unit, serving in

Europe, the Philippines and was among the forces preparing to invade Japan when the atomic bomb was dropped ending the war. By then he had risen to the rank of a first sergeant.

After the war, he was active in the Reserve until his 60th birthday, when he retired.

Returning to Detroit, Al worked with the Chrysler Motor Company for 35 years before retiring and returning to Calloway County in 1973.

There were six public golf courses in Detroit, and Al played them regularly. He was captain of the Palmer Park team and won many trophies in tournaments conducted by Chrysler.

Last year, he won the seniors' division of the Murray Invitational, and has consistently been a contender for the club's medal and match play championships. Several of the club's better players have been sidelined in match play because of his steady game.

Al and his wife, Margaret, are divorced. She is a nurse, living in Murray after earning a degree at Murray State. They have six children, five boys and one girl, and eight grandchildren.

Susan lives in Detroit, where she is studying to be a certified public accountant. Keith teaches in Detroit. Gordon, who was injured by a land mine in Vietnam, lives in Detroit, as does David, who served seven years in the Navy. Monroe, a Murray State graduate teaches in Memphis, and Phillip, also a Murray State graduate, teaches industrial arts in Evansville.

"How long do I think I'll play the game?" he said, pulling at his handlebar mustache and in response to the inevitable question. "Just as long as I can stand up and swing a club, and, if I'm lucky, it won't be long before I really can shoot my age."

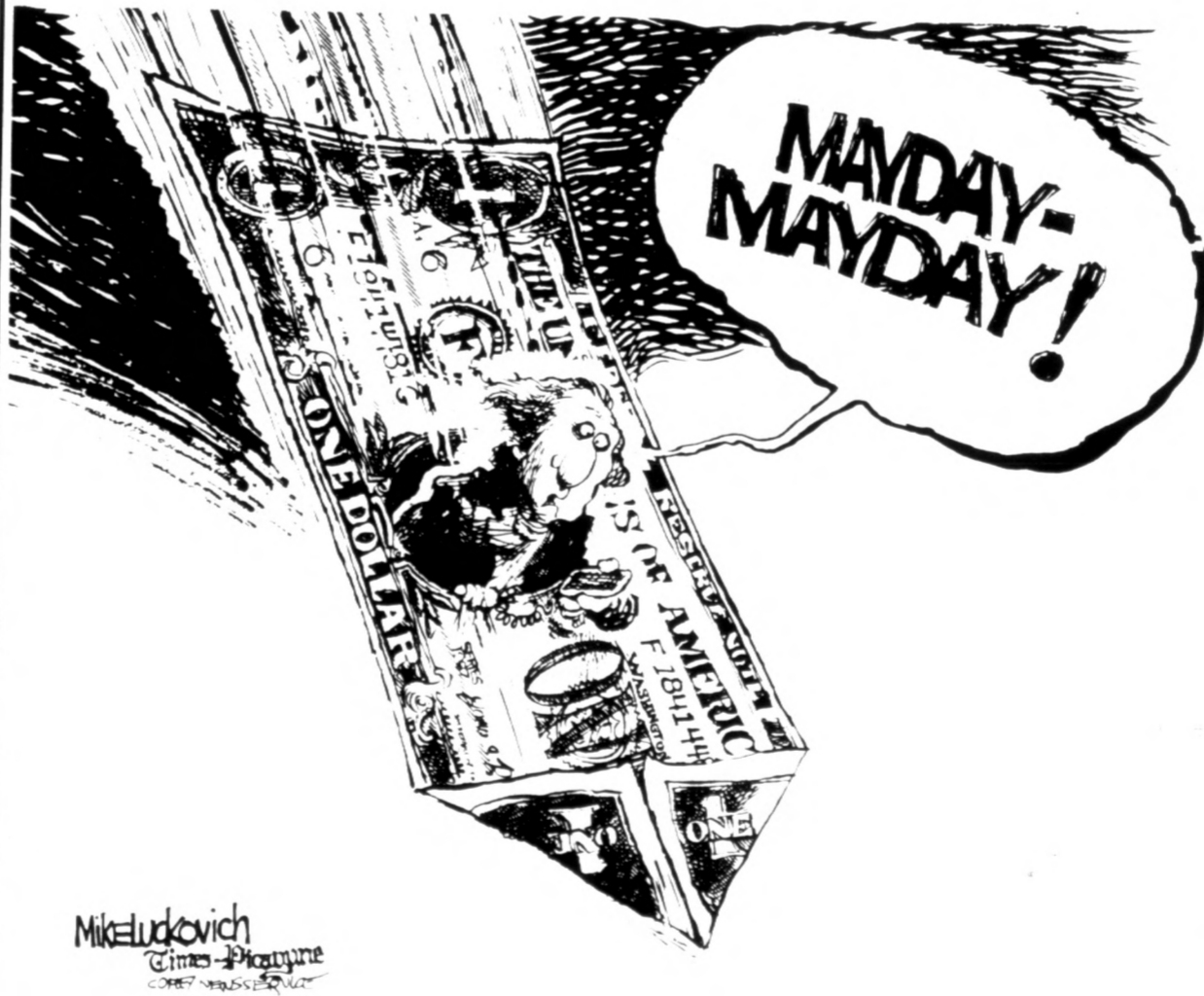
Thoughts in season

By Ken Wolf

As these words from the eighteenth-century historian of the Roman Empire, Edward Gibbon, indicate, there is a big difference between thinking about God (or being religious) and studying the history of religions:

The theologian may indulge the pleasing task of describing Religion as she descended from Heaven, arrayed in her native purity. A more melancholy duty is imposed on the historian. He must discover the inevitable mixture of error and corruption which she contracted in a long residence upon Earth, among a weak and degenerate race of beings.

For an elaboration of Gibbon's views, see chapter XV of his famous book, *The Decline and Fall of the Roman Empire*.



Commonwealth Comment

By Michael D. Ward

QUESTION: What is the difference between "cold checking" and "forgery"?

ANSWER: "Cold checking" and "forgery" are separate offenses, although both are crimes of dishonesty and sometimes committed in a similar manner.

First, "cold checking"—or theft by deception as it is technically listed in our penal code—involves the actual stealing of something of value. This is done by writing a check on a bank account and giving it to someone in return for something of value, knowing that the check will not be honored. In other words, property has been taken by deceit. One goes down to the bank, for example, and opens up an account with a fifty dollar deposit. They then proceed out to Walmart and purchase fifteen hundred dollars worth of merchandise, and pay for it with a check on the new account. This is a classic case

of "cold checking" and if the amount of the check is more than one hundred dollars, it is a felony—punishable by up to five years in the penitentiary.

What about the inadvertent overdraw of a checking account, a slip many of us are guilty of from time to time?

If it's a mistake and unintentional overdraft—no problem, with the exception of a little embarrassment. But the law states that a person given written notice of the deficiency and does not make it good in ten days is presumed to have written the check with the intent to deprive—with criminal intent, in other words. And of course if the drawer of the check no longer has an account open at the bank, then that's pretty convincing proof of intent to deceive.

The crime of forgery is committed when someone falsely makes, completes or alters a written in-

strument of any kind with the intent to defraud or deceive. It could be the false signature to a deed, a will, the counterfeiting of money, or a forged signature on a check. The most common type of forgery is when one steals or finds a check book of another person and proceeds to pass checks by forging the owner's signature. In this instance, unlike the "cold check" transaction, the amount of the check makes no difference—it is still a felony. In other words, a person can be sent to prison for simply forging another person's signature on a one dollar check.

The crime of forgery is broken down into degrees with the falsely making of money, stamps or securities carrying up to ten years in prison. The forgery of a check on the other hand carries up to five years. Even the mere possession of forged instruments with the intent to deceive is a crime.

Can a person be convicted of both forgery and theft on the same transaction? This raises the complex question of double jeopardy—the punishment of a person twice for the commission of the same crime. One of the offenses—"cold checking"—requires an actual theft, while the forgery does not. The forgery requires a false making or altering, while the "cold checking" does not. Therefore in certain circumstances, one could arguably be prosecuted for both crimes arising out of the same transaction. If such was not the case, a person obtaining a million dollars through a forged instrument could not be punished any more than he would be for a two dollar rubber check.

"Cold checking" is normally thought of as the less serious crime since the deceptive state of mind is hard to prove. The false signature, on the other hand, leaves little to doubt as to the criminal intent.

The Murray Ledger & Times

WALTER L. APPERSON, Publisher
TED DELANEY, Circulation & Production Manager
DAVE REEVES, Advertising Manager
BARB PAYTES, Classified Manager
ALICE ROUSE, Business Office Manager
The Murray Ledger & Times (USPS 308-700)

The Murray Ledger & Times is published every afternoon except Sundays, July 4, Christmas Day, New Years Day and Thanksgiving Day by Murray Newspapers Inc., 1001 Whitnell Dr., Murray, Ky. 40371. Second Class Postage Paid at Murray, Ky. 40371.

SUBSCRIPTION RATES: In areas served by carriers \$4.00 per month, payable in advance. By mail in Calloway County and to Benton, Hardin, Mayfield, Sedalia and Farmington, Ky., and Paris, Buchanan and Puryear, Tn., \$48.00 per year. By mail to other destinations \$52.50 per year. To reach all departments of the newspaper phone 753-1916.

The Murray Ledger & Times is a member of the Associated Press, Kentucky Press Association and Southern Newspaper Publishers Association. The Associated Press is exclusively entitled to news originated by The Murray Ledger & Times.

MURRAY TODAY

Jo Burkeen, editor

The Murray Ledger & Times

SILVER PROFILES

By Shirley Johnson



Alyce Stocking at meals' van

From teaching in Lansing, Ill., as a physical education teacher to handling the city Meals-On-Wheels route is not as far a trip as it may seem. Juggling the schedule with the aid of a volunteer is very much like managing the school lives of middle school students.

For Alyce Stocking, the longest meal route runs 30 miles inside the city each and every day. In addition to being in charge of this route four days a week, Alyce transports the meals to Pauline Pittman at Hazel.

A native of Park Forest, Ill., Alyce is co-owner of a local shop and is able to adjust her time so that she can drive the daily three-hour trip. Her partner, Flo Stilke, is also involved with Silver Citizens and will be profiled here in the near future.

The ultimate responsibility of the route belongs to Alyce but in-

School trustee checks on copies

FALLBROOK, Calif. (AP) — A school trustee says the half-million photocopies made in 24 school days at five elementary schools is just too many.

Becky Daze, who's on a campaign to stop waste in the Fallbrook Union Elementary School District, said that teachers, administrators and staff made 538,416 photocopies between Dec. 16 and Jan. 31. That's equal to nearly 120 copies for each of the district's 4,500 students.

Daze's study started out as something of a joke. But her report caught fellow trustees by surprise.

Initially she was a one-day-per-week volunteer.

Now a salaried member of the staff, she oversees the deliveries which start at the south side of Murray. Then proceeding west, east and ending on the north side, all areas of our city are covered before returning to the Silver Citizens Center.

She sees a vital need for the program and as each of our previous profiles showed, some clients may not see anyone but her on a given day. Yes, this is true even in the city; although not by choice, a Silver Citizen may be isolated from the chance to see others.

Alyce enjoys making the personal contact with the clients. Although each daily contact may last for a few short minutes, it is an outlet these special people would not otherwise have. She develops quite a rapport with them and shares stories of their families and other events in their lives.

Perhaps the meals are only secondary for these clients miss her on her day off. They are concerned and want to know where she has been if she misses two consecutive days.

The sense of humor that so many possess as well as the give-and-take situations which have developed for over a year, make for a daily pleasure to which Alyce looks forward.

True appreciation of the meals and the fellowship that the program afford is expressed so often. Thanks are always on the tips of their tongues; both driver and client would like to be able to spend more time together.

One can sense this from the way she describes the clients, the oldest being 97. Not only does this gentleman take pride in being the oldest, he often asks if he continues to hold that position. At least five others are 90 or older.

The clients on the city route are no different than those in the county. They are caring people who want to share something of themselves. It may be a knitted project, an apple, cookies or other treats as well as the continuing conversation that seems to spread over several weeks.

Alyce feels the concern for her shows the depth of the character that our Silver Citizens possess. One feels rewarded to serve these people, she says, and it pleases her to know she is helping. They look forward to her daily visit as much as she anticipates going to their doors. If she is a bit late, they worry about her.

Alyce is a special friend to each of them so it is not surprising that her clients feel motivated to check on her as she is watchful of them.

NEXT: There is always a volunteer to assist on this route. April is volunteer month, and it seems most appropriate that the next profile be of a volunteer who rides the city route.

Wynn-McClure vows solemnized

Ms. Valerie Sue Wynn and Gary Lynn McClure were married on Saturday, March 21, at Farmington Baptist Church. The Rev. Don Farmer officiated at the candlelight ceremony.

Solo arrangements were composed and performed by the groom for the bride. Kim Rose of Harrisburg, Ill., presented a program of piano selections.

Parents of the couple are Mr. and Mrs. Jimmy Wynn and Mr. and Mrs. Floyd McClure, all of Murray.

The bride chose her sister, Miss Lori Wynn, as maid of honor. Tony McClure served his brother as best man.

Ushers and candlelighters were Randy McClure and Jason Wynn, brothers of the groom and bride respectively.

The groom's niece, Michelle McClure, served as flower girl. His nephew, Andrew McClure, served as ring bearer.

Miss Julie Carpenter attended the guest register.

Directing the wedding was Miss Cindy Vance.

A reception followed in the fellowship hall of the church.

Serving at the bride's table were Mrs. David Farmer, Mrs. Kenneth Beane and Miss Dawn Covey.

Miss Cammie Covey served at the groom's table.

The bride is a 1981 graduate of Murray High School and of Ezell's Beauty School. She is employed at Judy and Shere's Beauty Salon.

The groom is a 1976 graduate of Calloway County High School and attended Murray State University. He is employed at Fisher Price Toys and is a member of the gospel singing group, The King's Sons.

After a honeymoon on the Mex-



Mr. and Mrs. Gary Lynn McClure

ican Riviera, the new Mr. and Mrs. McClure are residing in Murray.

The groom's parents hosted a rehearsal dinner. Places were laid for 18 guests.

Community events listed

Thursday, April 9

Cat in the Hat Birthday Party for Story Hour age children will be at 6:30 p.m. at Calloway Public Library.

Jackson Purchase Section of American Society for Quality Control will meet at 6 p.m. at Holiday Inn, Mayfield.

Calloway County Chapter of LaLeche League will meet at 7 p.m. at home of Barbara Kilby, 408 North Sixth St., Murray. For information call 759-1647.

Diabetics Taking Control will meet at 4:30 p.m. in back of cafeteria of Murray-Calloway County Hospital for an educational program.

Murray Single Connection will meet at 7 p.m. at First United Methodist Church. For informa-

Thursday, April 9

tion call Martha at 759-4940 or Glen at 435-4143.

AA and Al-Anon will have closed meetings at 8 p.m. at Senior Citizens' center at Benton. For information call 753-0061, 762-3399, 753-7764 or 753-7663.

Performances of Ritzpah Temple Shrine Circus will be at 10 a.m., 2 p.m. and 7 p.m. in Livestock Show and Exposition Center.

Distinguished Lecture in Business Administration will start with banquet at 6:30 p.m. in Curris Center ballroom at Murray State University. For information call 762-3124.

Dr. Carl Rogers will present a baritone voice recital at 8 p.m. in Farrell Recital Hall, Doyle Fine Arts Center, Murray State University.

Men's Basketball will be at 6:30 p.m. in gym of Elm Grove Baptist Church.

Murray Chapter No. 92 Royal Arch Masons and Murray Chapter No. 50 Royal and Select Masters will meet at 7:30 p.m. at Masonic Temple.

V.F.W. Post 6291 will meet at 7:30 p.m. at Miller Courthouse Annex, Murray.

Parents of children in Calloway County Elementary Schools are requesting their attendance at meeting of Calloway County Board of Education at board office on College Farm Road at 6:30 p.m.

Cottage prayer meetings for revival at First Baptist Church

Thursday, April 9

will be at 7 p.m. at homes of Mr. and Mrs. Codie Caldwell, Mrs. Ruth Calhoun, Mr. and Mrs. Stan Groppel, Mrs. Maude Jones, Mr. and Mrs. G.T. Lilly and Mr. and Mrs. John Randolph.

Friday, April 10

An Easter Egg Hunt for neighborhood children, ages 2 to 8, will be sponsored by Douglas (Willis) Senior Citizens at the center from 10:30 to 11:30 a.m. The center will be open from 10 a.m. to 2 p.m. for lunch and other activities.

Senior citizens' quilt will be on display today at downtown branch of Peoples Bank. Donations for the quilt to be given away near the end of May will be taken.

Hazel Center will be open from 10 a.m. to 2 p.m. for activities by senior citizens.

Hazel Lodge No. 831 Free and Accepted Masons will meet at 7:30 p.m. at lodge hall.

Laryngectomee Support group for laryngectomy patients and their families will meet at 4 p.m. in private dining room of Murray-Calloway County Hospital.

Lenten services will be at 7 p.m. at St. Leo's Catholic Church.

Murray State University Percussion Ensemble will present a free concert at 8 p.m. in Annex Recital Hall, Doyle Fine Arts Center, Murray State University.

District Laity Banquet will be at 6:30 p.m. at Curris Center, Murray State University.

(Cont'd on page 5)

Cheri
753-3314 1008 CHESTNUT

LETHAL WEAPON
7:10, 9:20

Blind Date
7:05, 9:00

POLICE ACADEMY 4: CITIZENS ON PATROL
STEVE GUTTENBERG (PT)
7:20, 9:10

STARTS TOMORROW
Walt Disney's **The Aristocats (G)**
1:30, 3:15, 5:00, 7:00

STAND BY ME • TOP GUN
ABOUT LAST NIGHT • ALIENS

MOVIES TO GO
Cheri Theatre Lobby

Best Style
Best Quality
Best Price \$79.95 (Reg. \$99.95)

Art Carved Stadium™ H.S. Class Rings with FREE Custom Features!
ARTCARVED CLASS RINGS
This offer expires May 31, 1987 and is valid only on the purchase of Art Carved Stadium H.S. class rings.

COOK'S JEWELRY
J-4713 Central Shopping Center 753-1606
873 Bring This Ad

GO A LITTLE NATIVE...
AT ENGLISH SOLE

Jana Jumps

RESORT COLLECTION 1987

English Sole

- Sarongs
- Dresses
- Shorts
- Skirts

On the Square
M-S 9-5 Visa-M/C 759-4140

SALE 1/2 Price

- Sportswear
- Sweaters
- Suits
- Dresses

And Much More!

The Place Southside Manor

Community...

(Cont'd from page 4)

Friday, April 10

"V" Night, churchwide, will start with volleyball at 6 p.m. at First Baptist Church. A movie and snacks will be at 7:30 p.m. Each one bring a soft drink.

Singles of First Baptist Church will meet at home of Dr. and Mrs. Stephen White at 6:30 p.m.

Events in Land Between the Lakes will include Iron Industry at 10:30 a.m. and 1:30 p.m. at The Homeplace-1850; Skywalk at 2 p.m. and Stargazing at 8 p.m. at Golden Pond Visitor Center; Family Fishing Weekend at Hillman Ferry Campground.

Square and round dancing with music by Sharecropper will be from 7:30 to 11 p.m. at Lynn Grove Roller Rink.

Saturday, April 11

Murray Lodge No. 105 Free and Accepted Masons will serve a ham breakfast from 6 to 10 a.m. at lodge hall. This is open to public.

Sons of Confederate Veterans will meet at 1:30 p.m. at Mayfield Graves County Library, Mayfield. For information call 1-653-5951.

Jackson Purchase Historical Society will have a noon luncheon meeting at Irvin Cobb Hotel Ballroom, downtown Paducah.

Writers' Potpourri will meet at 9:30 a.m. at Calloway Public Library.

AA and Al-Anon will meet at 8 p.m. at American Legion Building, South Sixth and Maple Streets.

Miss Murray State University Scholarship Pageant will begin at 7:30 p.m. in Lovett Auditorium.

Events in Land Between the Lakes will include Family Fishing Weekend at Hillman Ferry Campground; Arbor Day activities; Music Sampler of the Early 19th Century from 10 a.m. to 4 p.m.; Iron Industry at 10:30 a.m. and 1:30 p.m., and evening at The Homeplace-1850 at 7 p.m., all at The Homeplace-1850; Morel Mushroom Hunt at 1 p.m. and Spring Crappie fishing at 2:30 p.m. at Woodlands Nature Center; Egg Incubation at 3 p.m. at Empire Farm; Skywalk at 2 and 3 p.m. at Golden Pond Visitor Center.

Sunday, April 12

Robin Leath will present a free senior piano recital at 2 p.m. in Annex Recital Hall, Doyle Fine Arts Center, Murray State University.

Dean Smith will present a free senior trombone recital at 3:30 p.m. in Farrell Recital Hall, Doyle Fine Arts Center, Murray State University.

Special recipe to use leftovers

By NANCY BYAL
Better Homes and Gardens
Food Editor

Start crackin' and make an elegant brunch or supper dish from the Easter bunny's gifts. After the egg hunt, get boiled eggs into the refrigerator within 10 hours. You can store the eggs there for up to 7 days. They'll be fresh for this recipe and more.

Avocado-stuffed Eggs

4 hard-cooked eggs; 1 avocado; Lemon juice; 2 teaspoons prepared horseradish mustard; 1 teaspoon lemon juice; 1 teaspoon salt; 1 tablespoon finely chopped onion; 2 tablespoons margarine or butter; 2 tablespoons all-purpose flour; 1 teaspoon instant chicken bouillon granules; 1 teaspoon dried parsley flakes; 1/2 cup milk; 1/2 cup water; 1/4 cup chopped fully cooked ham

Peel eggs. Halve lengthwise; remove yolks and set whites aside. Halve avocado lengthwise; rub lemon juice over cut edges. Peel and mash 1 avocado half. Wrap and store remaining half for another use. Combine mashed avocado with egg yolks, mustard, lemon juice and salt. Mix well. Fill egg white halves with avocado mixture; arrange in 2 individual casseroles.

For sauce, in a small saucepan cook onion in margarine until tender but not brown. Stir in flour, bouillon granules and parsley. Combine milk and water; add all at once to flour mixture. Cook and stir until thickened and bubbly. Pour sauce over eggs. Top with ham. Bake, uncovered, in a 325-degree oven about 15 minutes or until heated through. Makes 2 servings.

DATEBOOK

Chestnut Grove plans program

Chestnut Grove A.M.E. Methodist Church of South Hazel will observe its annual missionary day on Sunday, April 12, at 2:30 p.m. Miss Betty Hill of Henry, Tenn., will be the featured speaker. The public is invited to attend, a church spokesman said.

Percussion Ensemble to perform

Murray State University Percussion Ensemble will present its spring concert on Friday, April 10, at 8 p.m. in the Annex Recital Hall, Doyle Fine Arts Center, Murray State University. Tom Vanarsdel will be the director and Mezzo-Soprano Kay Gardner Bates will be the featured guest soloist. The public is invited to attend.

Senior trip planned on Monday

A Senior Citizens' tour to Paducah for the opening of the Lighted Dogwood Trail has been planned for Monday, April 13. The cost will be \$6 plus the meal cost. The bus will leave the senior citizens office at 1620 West Main St., Murray, at 3 p.m. For more information call Toopie Thomas Moore, tour director, at 753-8274, or the senior citizens' office, 753-0929.

Brooks Chapel plans services

Brooks Chapel United Methodist Church, located off Highway 1346 east of Dexter, will have its pre-easter revival starting Monday, April 13, and continuing through Sunday, April 19. Speakers for services at 7 p.m. nightly will be the Rev. Kendrick Lewis, Monday; the Rev. David Gargus, Tuesday; the Rev. Ralph Hale, Wednesday; the Rev. Elijah Balentine, Thursday; the Rev. David Baker, Friday; the Rev. Leonard Greer, Saturday; and the Rev. Eulas Greer, pastor, Sunday. Special singing will be each night. Thursday The Liberty Boys from Marshall County will sing and Friday The Messengers Quartet from Camden, Tenn., will sing.

Methodist Church plans services

First United Methodist Church, 503 Maple St., just off the courthouse, will sponsor its annual Spring Bible Conference starting Sunday, April 12, and continuing through Wednesday, April 15. Dr. Harrell Townsend, Bible scholar and minister, will be the conference leader. Services will be at 7 p.m. each night in the church sanctuary and at 10 a.m., Monday through Wednesday, in Hale Chapel of Educational building of church. The community is invited to attend this series of services about the Gospel according to Luke. A nursery will be provided and for more information call 753-3812.

Robin Leath will give recital

Robin Leath, a student at Murray State University, will present her senior piano recital at 2 p.m. Sunday, April 12, in the Annex Recital Hall, Doyle Fine Arts Center. Her program will include pieces by Pedro Lerma, Frederic Chopin and W.A. Mozart. The recital, open to the public at no charge, is given in partial fulfillment of the bachelor of music degree. She is the daughter of Mr. and Mrs. Robert J. Leath, 559 Oaklawn Dr., Paducah.

Sign language class scheduled

A sign language class to teach basic skills for communicating with deaf people will be offered at the Adult Learning Center, Room 206 of Roy Stewart Stadium, Murray State University, on Monday and Tuesday evenings, 5:30 to 7:30 p.m., April 13 to May 18. This open to any interested persons 16 years of age or older who is not enrolled in a public school. The only cost to a student will be the textbook. The non-credit class will be sponsored by the Division of Adult and Community Education of the Kentucky Department of Education, the Kentucky School for the Deaf and Murray State. For information call 762-6971.

(Cont'd on page 8)

New from Estée Lauder Laboratories



EYZONE
Repair Gel
The never-before formula that dramatically diminishes the visible signs of aging around the eyes.

EYZONE REPAIR GEL helps Restore and Repair Maintain and Moisturize the fragile skin around the eyes for a smoother, firmer, less-lined look.

Estée Lauder

The Cherry Branch
on Chestnut

MURRAY TODAY

Jo Burkeen, editor

April Showers
A Cascade Of Spring Fashion Savings

Open Fridays Until 8:30 P.M.
Open Sundays 1:00-5:00

BRIGHT'S

West Side of The Square
Downtown Murray

<p>Petite • Half Size Missy • Junior DRESSES</p> <p>Just In Time For Easter All Spring & Summer Styles Regularly 40.00 or More</p> <p>10⁰⁰ OFF</p>	<p>Lightweight SPORTSWEAR JACKETS</p> <p>Ideal to warm-up your casual or work wardrobe for Spring Regular 22.00 to 52.00 Values</p> <p>NOW 1/4 TO 1/3 OFF</p>	<p>Super Value PANTYHOSE Today's Girl</p> <p>Every Style & Every Color Top Value Now At Sale Prices Regular 1.95 to 3.75 Values</p> <p>NOW 20% OFF</p>	<p>LIFE STRIDE Shannon & Lite SHOES</p> <p>Two beautiful pumps in a rainbow of colors, one open toe & one closed Regular 37.00 & 39.00 Values</p> <p>26⁹⁹</p>
<p>Entire Stock SPRING SUITS</p> <p>Regular 64.00 to 260.00 Values</p> <p>NOW 1/3 OFF</p>	<p>Jean Skirts & JEANS</p> <p>Selected Values 28.00 to 44.00</p> <p>NOW 1/4 OFF</p>	<p>Spring Costume JEWELRY</p> <p>Selected Values 3.00 to 50.00</p> <p>NOW 1/4 OFF</p>	<p>Exciting Spring HANDBAGS</p> <p>Selected Values 18.00 to 45.00</p> <p>NOW 1/4 OFF</p>
<p>All Long Spring COATS</p> <p>Regular 38.00 to 120.00 Values</p> <p>NOW 1/3 OFF</p>	<p>Knit Tops & SWEATERS</p> <p>Selected Values 20.00 to 80.00</p> <p>NOW 1/4 OFF</p>	<p>All Spring & Summer BELTS</p> <p>Regular 7.00 to 28.00 Values</p> <p>NOW 1/4 OFF</p>	<p>Formfit BRAS</p> <p>Selected Values 14.00 to 16.50</p> <p>NOW 1/4 OFF</p>
<p>Entire Stock SPRING HATS</p> <p>Regular 18.00 to 66.00 Values</p> <p>NOW 1/4 OFF</p>	<p>Missy Sportswear COORDINATES</p> <p>PERSONAL • LUCIA</p> <p>SAVE 1/4 OFF</p>	<p>All Spring & Summer SOCKS</p> <p>Regular 2.75 to 8.00 Values</p> <p>NOW 20% OFF</p>	<p>Entire Stock Bikinis & Brief</p> <p>Regular 2.50 to 20.00 Values</p> <p>NOW 20% OFF</p>
<p>1 Piece Swimsuits CATALINA®</p> <p>Selected Values 39.00</p> <p>29⁹⁹</p>	<p>Casual Sports Group HANG TEN</p> <p>Selected Values 16.00 to 29.00</p> <p>NOW 1/4 OFF</p>	<p>Leisurewear & ROBES</p> <p>Selected Values 11.00 to 41.00</p> <p>NOW 1/4 OFF</p>	<p>Famous Name SLEEPWEAR</p> <p>Selected Values 18.00 to 38.00</p> <p>SAVE 1/4 OFF</p>

North Fork News

Area residents hospitalized recently

By MRS. R.D. KEY
March 23, 1981
 Mrs. Myrtle Vandyke of Murray was admitted to Henry County Medical Center, Paris, Tenn., on March 10 with pneumonia. She stayed for several days. Visitors included her pastor, the Rev. R.J. Burpoe, the Rev. and Mrs. Terry Sills, Mrs. Terry Lynn Fortune and daughter, the Rev. Malcolm Norton, the Rev. Jerry Lee, Morris Jenkins, Mr. and Mrs. Ralph Gallimore and Kitt Green.
 Mr. and Mrs. Jack Wyatt of Nashville, the Rev. and Mrs. Glynn Orr and Bryan Orr visited Mr. and Mrs. Glynn Orr over the weekend. Other visitors at the Orr home included Mrs. Bertie Jenkins, Mr. and Mrs. Morris Jenkins, Mr. and Mrs. Glynn Orr, and Mr. and Mrs. Jack Wyatt who

attended worship services at Westside Baptist Church in Murray on Sunday.
 Karen Story and Autumn Story visited Mrs. Kim Jenkins on Thursday.
 Mr. and Mrs. Kenny Jenkins and children, Mallorie and Blake, were supper guests of Mr. and Mrs. Greg Story on Saturday.
 Recent visitors of Mrs. Jessie Paschall were Estelle Morris, Gwinna Gallimore, Mr. and Mrs. Glynn Orr, Mr. and Mrs. Mitch Sykes and Carlene Paschall.
 Marilyn Sykes was admitted to Murray-Calloway County Hospital for a few days. Her husband, Mitch Sykes, was with her. Other visitors included the Rev. and Mrs. Warren Sykes, the Rev. and Mrs. Jerry Lee, Tabitha Lee, the Rev. Malcolm Norton, Mr. and

Mrs. Steve Paschall, Mr. and Mrs. David Peeler, Pam Sanders, Mr. and Mrs. Darrel Wilson, Carlie B. Paschall, Mr. and Mrs. Ken Roberson, Joetta Paschall and Carolyn Kaminski. She was dismissed March 16 and stayed a week with the Rev. and Mrs. Warren Sykes. Friday supper guests also included the Rev. and Mrs. Lee and Tabitha Lee.
 Mr. and Mrs. Glynn Orr were Friday afternoon guests at the home of the Rev. and Mrs. Warren Sykes.
 Mrs. Joetta Paschall had surgery on March 16 at Murray-Calloway County Hospital. She was dismissed on March 21 and her mother, Mrs. John Weither, has been staying with her. Visitors in to see her at the hospital included Mr. and Mrs. Mitch Sykes, the Rev. Malcolm Norton, Steve Paschall, Carolyn Kaminski, Mr. and Mrs. John Weither and Carlie B. Paschall.
 Mr. and Mrs. Bonnie Kuykendoll of Fulton were recent guests of Mr. and Mrs. Coy Kuykendoll.
 Ricky Orr of Nashville, Tenn., was the weekend guest of the Rev. and Mrs. Glynn Orr.
 Mr. and Mrs. Mitch Sykes visited Pauline Boyd on Sunday afternoon.
 Mrs. Jennie Sykes has been ill with bronchitis.
 Mrs. Hilda Miller visited Mrs. Bertie Jenkins on Tuesday. Morris Jenkins went to eat fish with them.

Riley and Barton wedding planned

Mr. and Mrs. Larry Riley of Kirksey announce the engagement and approaching marriage of their daughter, Laura Jill, to Terry Bernol Barton, son of Mr. and Mrs. Larry Barton of Lynnville.

Grandparents of the bride-elect are Mrs. Patty Graves of Brookport, Ill., Robert Larimer of Benton, and Mr. and Mrs. Rudy Riley of Kirksey.

She is the great-granddaughter of Mrs. Kathlene Austin and the late Ed Austin of Benton.

The groom-elect is the grandson of Mrs. Gertrude Sturd of Newton, Kan., and of Mrs. Lucille Gambill and the late Bernol V. Barton of Jonesboro, Ark.

He is the great-grandson of Mrs. Ruth Barton of Ottawa, Kan.

Miss Riley, a 1985 graduate of Calloway County High School, will graduate from Murray State University in August 1987 with an associate degree in business administration.

Mr. Barton, a 1981 graduate of Marshall County High School, is self-employed on Barton Farms in Lynnville.

Wedding vows will be exchanged on Friday, May 8, at 7 p.m. at New Home Missionary Baptist Church, located on Highway 564, Mayfield.

A reception will follow the ceremony.

All friends and relatives are invited to attend the wedding and the reception. Only out-of-town invitations will be sent.



Laura Jill Riley and Terry Bernol Barton to marry

Spring Sale

**New Arrivals in Easter Colors
Pumps, Flats, Skimmers**

Many Name Brands To Select From
Such As Bass, 9 West, DeLiso,
Connie, Footworks, Plus Many More

For **\$10⁹⁵**

**Ladies Class Act
Boots** **\$24.95**

**Good Selection of
Western Boots** Starting at **\$32⁹⁵**

**Men's Safety Toe
Boots** **\$32⁹⁵ & \$37⁹⁵**

**Factory Discount
Shoes** **16th & Main 753-9419**

Down Concord Way

Springtime, flowers remind writer of her youth

By ESTELLE SPICELAND
 On March 2, I stooped and picked my first jonquils of the season as I walked to the New Concord postoffice which now seems much farther away than New Concord School was when I walked 2 1/2 miles in younger days.
 I go inside the modern little postoffice where nothing reminds me now of former years when, before electricity came, that same room was a garage, than a grocery, and finally a storage room for beautiful geraniums and

plants in winters.
 Rainey Lovins with a Delco plant, made it possible for our little grocery to sell ice cream, first in Concord.
 Years have changed everything, now in Concord. Most all the older people are gone, and so are their homes. The coming of the lake brought people from afar to the area.
 The New Concord school building has long been empty.
 But the Rev. Bill Hart from Good Shepherd United Methodist Church just stopped in. He, as other pastors, tells of new

members attending all churches, though all churches are losing from illness and deaths.
 Nursing homes are filled with aged and disabled. "Tis the wink of an eye, the drought of a breath, From the blossom of health to the stillness of death."
 But the jonquils blooming prove that to everything there is a season.
 The smiling picture of Jim Perry in the Ledger was inspiring. I remembered his smile outstanding as a former student.
 So may we all decide that Life is worth living.
 "Sunshine and Shadows All Through Life's Story" should be the theme song of all.

We had learned by recent and past experiences about the heart-break and dashed dreams caused by the loss of loved ones. But we have to pick up the broken pieces and go on to the next step, the feeble.
 Spring time with tulips, hyacinths, forsythia, japonica and other plants blooming remind us of other days when we were younger and collected them from loved ones in Tennessee and Kentucky where we lived.

But the jonquils blooming prove that to everything there is a season.

The smiling picture of Jim Perry in the Ledger was inspiring.

I remembered his smile outstanding as a former student.

So may we all decide that Life is worth living.

"Sunshine and Shadows All Through Life's Story" should be the theme song of all.

On a recent Sunday the neighbors, the Joe Pat Robertsons, brought the sunshine when they wheeled their two months old baby girl across the road to see me.

Just before that evidence of shadows passed when a long funeral procession passed taking the body of a game warden, Robert Banker, who had been shot, to be buried at Wofford Cemetery in Stewart County, Tenn.

Sadly we realize that old homes and their owners are gone, as are many younger dreamers with plans for the future. May we sometime understand.

Looking through an old scrapbook for past time, I saw Gene Lovins' picture on his farm with an erosion control pipe to hold back water during storms. He loved the farm, and worked wonders renovating worn out acres to leave now.

But he left footprints which will not be soon erased.

How he would have appreciated the crowds who remembered, the flowers, food and every kindness bestowed after his passing.

How he would have appreciated the crowds who remembered, the flowers, food and every kindness bestowed after his passing.

How he would have appreciated the crowds who remembered, the flowers, food and every kindness bestowed after his passing.

How he would have appreciated the crowds who remembered, the flowers, food and every kindness bestowed after his passing.

How he would have appreciated the crowds who remembered, the flowers, food and every kindness bestowed after his passing.

How he would have appreciated the crowds who remembered, the flowers, food and every kindness bestowed after his passing.

How he would have appreciated the crowds who remembered, the flowers, food and every kindness bestowed after his passing.

How he would have appreciated the crowds who remembered, the flowers, food and every kindness bestowed after his passing.

How he would have appreciated the crowds who remembered, the flowers, food and every kindness bestowed after his passing.

How he would have appreciated the crowds who remembered, the flowers, food and every kindness bestowed after his passing.

How he would have appreciated the crowds who remembered, the flowers, food and every kindness bestowed after his passing.

How he would have appreciated the crowds who remembered, the flowers, food and every kindness bestowed after his passing.

How he would have appreciated the crowds who remembered, the flowers, food and every kindness bestowed after his passing.

How he would have appreciated the crowds who remembered, the flowers, food and every kindness bestowed after his passing.

How he would have appreciated the crowds who remembered, the flowers, food and every kindness bestowed after his passing.

How he would have appreciated the crowds who remembered, the flowers, food and every kindness bestowed after his passing.

How he would have appreciated the crowds who remembered, the flowers, food and every kindness bestowed after his passing.

How he would have appreciated the crowds who remembered, the flowers, food and every kindness bestowed after his passing.

How he would have appreciated the crowds who remembered, the flowers, food and every kindness bestowed after his passing.

How he would have appreciated the crowds who remembered, the flowers, food and every kindness bestowed after his passing.

How he would have appreciated the crowds who remembered, the flowers, food and every kindness bestowed after his passing.

How he would have appreciated the crowds who remembered, the flowers, food and every kindness bestowed after his passing.

How he would have appreciated the crowds who remembered, the flowers, food and every kindness bestowed after his passing.

How he would have appreciated the crowds who remembered, the flowers, food and every kindness bestowed after his passing.

How he would have appreciated the crowds who remembered, the flowers, food and every kindness bestowed after his passing.

How he would have appreciated the crowds who remembered, the flowers, food and every kindness bestowed after his passing.

How he would have appreciated the crowds who remembered, the flowers, food and every kindness bestowed after his passing.

How he would have appreciated the crowds who remembered, the flowers, food and every kindness bestowed after his passing.

How he would have appreciated the crowds who remembered, the flowers, food and every kindness bestowed after his passing.

How he would have appreciated the crowds who remembered, the flowers, food and every kindness bestowed after his passing.

How he would have appreciated the crowds who remembered, the flowers, food and every kindness bestowed after his passing.

How he would have appreciated the crowds who remembered, the flowers, food and every kindness bestowed after his passing.

How he would have appreciated the crowds who remembered, the flowers, food and every kindness bestowed after his passing.

How he would have appreciated the crowds who remembered, the flowers, food and every kindness bestowed after his passing.

How he would have appreciated the crowds who remembered, the flowers, food and every kindness bestowed after his passing.

How he would have appreciated the crowds who remembered, the flowers, food and every kindness bestowed after his passing.

How he would have appreciated the crowds who remembered, the flowers, food and every kindness bestowed after his passing.

How he would have appreciated the crowds who remembered, the flowers, food and every kindness bestowed after his passing.

How he would have appreciated the crowds who remembered, the flowers, food and every kindness bestowed after his passing.

How he would have appreciated the crowds who remembered, the flowers, food and every kindness bestowed after his passing.

GE Breakthrough Savings!



9-7120
HQ VHS Video Cassette Recorder
 • 25 function wireless remote control
 • 4 event 2 week timer with remote programming
 • Cable compatible tuning

Price **\$299.00**
 Less Rebate **\$30.00**
YOUR COST \$269.00



Rebate Offer ends May 2, 1987



9-9608
HQ VHS Camcorder SPECIAL EDITION
 • Lightweight, one-piece camera and video recorder • Records onto standard VHS tape • One year parts and labor limited warranty • AC/RF adapter, rechargeable battery included

Price **\$1248.00**
 Less Rebate **\$100.00**
YOUR COST \$1148.00



Gaye Housden, bride-elect of Mark McClure has selected her pottery and kitchen accessories with us. Gayle and Mark will be married June 6.

The Panhandler
 Court Square
 Murray
 753-5679

Britain's favorite drink continues to be tea with 80 percent drinking it

LONDON (AP) — Tea is still Britain's favorite drink, accounting for 45 percent of all beverages consumed, the Tea Council said in its annual report.
 Eighty percent of Britain's 56 million people drink tea, the council reported.
 It said Britain consumes more

tea than North America, Latin America and the rest of Western Europe put together, importing more than 160,000 tons last year.
 Tea accounts for 3.7 cups of the 8.25 cup total of all beverages consumed daily, the council said. Coffee accounts for 1.7 cups, alcohol 1.3, soft drinks 1.9 and milk 0.17.



13" Diagonal PORTABLE COLOR TV
 MODEL 8-1304
 • Vision™ Picture System with black matrix picture tube
 • Color Monitor™ system automatically adjusts color
 • 82 Channel mechanical tuning system
 • Contemporary woodgrain styling

\$198



19" Diagonal PORTABLE COLOR TV
 MODEL 19PF1900
 • High Contrast picture tube gives blacker blacks and richer colors
 • Color Monitor™ system automatically adjusts color
 • Woodgrain finish on high impact plastic

\$248



25" Console COLOR TV
 MODEL 25PF6802
 • High contrast picture tube gives blacker blacks and richer colors
 • Color Monitor™ system automatically adjusts color
 • Woodgrain finish on high impact plastic

\$398

Easy Terms — Financing Available

- Low Interest Rates!
- Free Warranty!
- Fast, Efficient Service!
- Long Monthly Payments!
- Home Owned!
- Large Inventory!

MURRAY APPLIANCE AND TV

YOUR GENERAL ELECTRIC DEALER IN MURRAY
 212 East Main Street — 753-1586
 Howard Coy & John Simmons Owners



*Freshly Picked for Spring--
At Anderson's Place*

The essence of spring and Easter dressing is captured in this jacket dress! In crisp black & white in spring - perfect 100% cotton.

See our exciting collection of spring and summer dresses and separates.

247 6941

ANDERSON'S PLACE

MAYFIELD SHOPPING PLAZA PARIS ROAD



PLANNING EVENT - Mrs. Robert Sparks, left, and Mrs. Lloyd Boyd, vice chairman and chairman respectively for the Potpourri of Art on Saturday, May 2, from 9 a.m. to 4 p.m. at Calloway County Public Library, are shown making plans for the annual event.

Spring Potpourri of Art planned, library May 2

By Mrs. HENRY MCKENZIE
Preparations are being made at Calloway County Public Library for the Potpourri of Art, a popular, annual event which will occur on Saturday, May 2, from 9 a.m. to 4 p.m.

Mrs. Lloyd Boyd, chairman, and Mrs. Robert Sparks, vice chairman, have been named to be in charge of arrangements for the celebration.

Asked about its origin, Mrs. Gerry Reed, library liaison for this project, recalled her trip to Bavaria in 1980 to attend the Passion Play at Oberammergau. She told how, after a long trip they arrived in Munich in the late afternoon, checked in, had dinner and retired exhausted, after setting the clock to be awakened early for a Saturday morning tour.

The tour of a palace was followed by a leisurely visit to the Munich square, scheduled so they could hear the glockenspiel from a church steeple located on the square. All around the area were clustered musicians entertaining for coins; artists, displaying their work with some sketching customer models on the spot. Flowers strewn about the entire square area added much color.

Later as they moved to the outdoor market Mrs. Reed said "Our senses reeled at the array of sausages, cheeses, breads, desserts and endless baskets of fruits and vegetables. Here, too, were more flowers and seedlings, musicians, clowns and jugglers. Outdoor cafes were filled with people enjoying the scenes about them - a veritable, visual feast!"

At some time during this dazzling display, the thought was planted in Mrs. Reed's mind to try to create in Murray some similar spring celebration, and the very next year the first Spring Potpourri of Art was held at the local library.

Mrs. Libby Hart, Mrs. Emily Wolfson, Dr. William Parsons and

Mrs. Margaret Trevathan helped execute her plans, and together they incorporated all of the European holiday atmosphere they could manage. It proved to be a wonderful event with the Art Show held outdoors in the Hurt garden. The weather was bright, crisp and sunny, and Mrs. Reed remembers that the delight of those in attendance made it worth all the effort.

Many persons who had never before exhibited in a show brought their work, along with more accomplished artists. The planners arranged for some artists to be present exhibiting works in progress. As viewers arrived, each was given a tag on which to indicate his or her favorite artist's work.

The program of entertainment continued throughout the day, including performers from the Community Theater, the Girl Scouts, a magic show, clowns, square dancers, etc.

Members of the French Club at Murray High School set up a sidewalk cafe at the Library Annex where they served French delicacies, crepes and beignets. W.A.T.C.H. members sold helium-filled balloons; the Senior Citizens' group sold seedlings and flowers; the library volunteers brought wonderful homemade breads and other baked goods for sale.

The planners for this first Potpourri had no funds for banners, posters, schedules or anything, but they persevered and with creative genius, made much out of little.

Now, the dream has become a tradition of six years, becoming better every year. Audiences have increased, more people are participating and the community is looking forward to May 2, from 9 a.m. to 4 p.m., the scheduled date and hours of the 1987 Potpourri of Art at the Calloway County Public Library.

observations by lochie hart



April 1st came and I forgot that it was April Fool's Day. I haven't heard of any tricks being played. One that we played in the Penny community was placing a wrapped package in the roadway near our home. A sewing thread was attached to the package and the end was held by us, hidden behind the roadside bushes. When a traveler got out of his vehicle and tried to pick up the package, we would pull the string and yell "April Fool!"

Former president of Murray State Harry Sparks has had fun on the campus on April Fool's Day by concealing a spool of sewing machine thread in the breast pocket of his coat, leaving a white thread hanging on the outside. When someone seeing the string hanging from his pocket, would attempt to remove the white thread, Dr. Sparks would yell "April Fool" as the surprised friend pulled and the string just kept lengthening - no end of it.

According to an encyclopedia, April is named Aprilis, the Latin name for "to open." April was named for the second month of the year until Julius Caesar established the Julian calendar in 46 B.C.

Among the list of important people who were born in April are former presidents of the United States: George Washington, first, Thomas Jefferson, third, James Buchanan, 15th, James Monroe, fifth, and U.S. Grant, 18th.

April symbols are flowers, sweet pea and the daisy. The gems are sapphire and the diamond. Two verses describe April. One is by Ralph Waldo Emerson and the other is from Poor Robin's Almanac, 1760.

Quotations: April cold with dripping rain, willows and lilacs bring the whistle of birds and trumpet lowing of the herd.

The first of April some do say is set apart for All Fools' Day. But why the people call it so, Not I, nor they themselves, do know.

A note from Janice Weatherly Sublett, a teacher and journalist, Denver, Colo., this week related an incident concerning her mother's experience in Murray High School in the 20s when all grades were housed in the present Middle School.

Janice's mother was before her marriage to Roy Weatherly, a teacher in the grade school. But when she was a student, there was

no lunch room. Most of the students went home to eat. So did she. But a few brought their lunch to school and ate together in the auditorium. Lucille observed that her friend and classmate, Annette Wear, brought her food in a pretty lunch box. She had dainty sandwiches and some sweets. So Lucille one day asked her brother to tell her mother to send her lunch back to school by him. When brother returned with the lunch, it was in a tin bucket and included were cabbage and cornbread. Quite a contrast to that of Annette.

In those days students observed April 1st by running away from school. Most times they walked the railroad to Almo, a few miles from town. Teachers didn't care - they got a break, too.

Janice's grandparents were Dr. and Mrs. O.B. Irvan who lived at 12th and Main Streets - just four blocks from the school. He practiced dentistry and served as secretary of the school's board years and years - until he died. In

walking to his downtown office each day, he most always stopped at the school, went into the office and talked with the principal.

Kay Weatherly Ray (Mrs. Rob) and I talked about her families. She mentioned the similarities in her grandparents and her own parents, Mr. and Mrs. Roy A. Weatherly. Each had eight children - five girls and three boys. The Irvan children were Virginia, Lucille, Lois, Nelle, Eloise, Karl, O.B. Jr. and Eugene. Kay remembers her grandmother telling her that the five girls were born at home, but the boys were born in the local hospital. In the Weatherly family there are Janice, Kay, Mary Frances, Roy Jr., Ginni, Nettie, John and Harry. Nettie is named for her grandmother Nettie Weatherly.

I've associated with the Irvan family and the Weatherlys in Murray High School days when they were students and I a teacher. All of them were my friends and Roy Jr. assisted me in the library.

MURRAY TODAY

Jo Burdeen, editor



All Ladies' Swimwear

1/2 Price

TOWN & COUNTRY

Dixieland Center 753-8365

Growing to Serve You Better "Spring is here at Shirley Florist And Greenhouses. . . ."



<p>Hanging Baskets:</p> <ul style="list-style-type: none"> • Begonia • Verbena • Lantana • Fern • Ivy Geranium • Impatiens 	<p>Bulbs:</p> <ul style="list-style-type: none"> • Cannas • Gladiolus • Caladium • Lillies • Elephant Ears
<p>Annuals:</p> <ul style="list-style-type: none"> • Ageratum • Coleus • GERANIUMS • Marigold • Salvia • Rosemos • Alyssum • Dianthus • Gazania • New Guinea Impatiens • Snapdragon • Tuberos Begonia • Begonia • Dusty Miller • Impatiens • Pansy • Verbena • Celosia • Fushia • Lantana • Petunia • Vinca 	<p>Vegetables:</p> <ul style="list-style-type: none"> • Broccoli • Peppers • Brussel Sprouts • Cabbage • Tomatoes
<p>Perennials:</p> <ul style="list-style-type: none"> • Babies Breath • Clematis • Gay Feathers • Lilly of the Valley • Sedum • Bleeding Hearts • Creeping Phlox • Hens & Chickens • Lamium • Shasta Daisy • Candy Tuff • English Ivy • Hosta • Pachysandra • Silvermond • Vinca Minor + Major • Coreopsis • Garden Mums • Lamb's Ear • Rudbeckia • Speedwell 	
<p>Supplies:</p> <ul style="list-style-type: none"> • Large Azelea • Snail Bait • Hand Tools • Pesticides • Fertilizers • Rootone • Weed Killers <p>Soils: Cow and Sheep Manure, Peat Moss, Potting Soil and Top Soil</p>	

SHIRLEY

Florist & Greenhouses

500 North 4th Murray 753-3251



See the state of the arts greenhouse! **MASTERCARD/VISA ACCEPTED**

\$2,000.00 Give-Away

Buy any previously owned car listed below and get one pull off our pullboard with cash values of up to \$500.00

15 Numbers - Each one will pay in cash

\$50.00 - \$100.00 - \$200.00 - \$300.00 or \$500.00

1987 Pontiac Firebird - Only 4,000 mi.	\$10,800.00
1986 Chevrolet Cavalier Station Wagon 19,000 mi. Roof Rack, Auto Trans., Loaded!	\$ 7,500.00
1985 Cadillac Eldorado - Only 26,000 mi.	\$17,500.00
1985 Chrysler LeBaron - 36,000 mi., Black, 2 DR Fully Loaded.	\$ 6,900.00
1985 Mazda 626-4 DR-Only 11,000 mi., Sunroof Power Windows & Door Locks, AC, Alum. Wheels	\$ 8,900.00
1985 Ford Mustang - 37,000 mi. - White	\$ 6,200.00
1985 Mercury Lynx 3 DR - Blue - Only 10,000 mi.	\$ 5,000.00
1985 Ford Escort 3 DR - Red - Low mileage	\$ 4,500.00
1984 Pontiac Fiero Auto Trans. - 41,000 mi.	\$6,500.00
1984 Ford Mustang - Liftback - V6 - Auto Trans. 40,000 mi.	\$ 6,200.00
1984 Honda Accord LX - 4 DR - Loaded	\$ 8,200.00
1984 Honda Civic 2 DR	\$ 4,000.00
1983 Olds Cutlass Supreme - 2 DR	\$ 5,200.00
1983 Ford Escort 4 DR - Auto Trans. - Air Cond.	\$ 4,300.00
1982 Olds Delta 88 - 4 DR	\$ 4,500.00

All Local Area Trade-Ins On New Toyotas
10 Days Only-Give-Away ends April 10, 1987
Your Exclusive Toyota Dealer

HATCHER AUTO SALES

515 South 12th Street
(502) 753-4961

Knights and Rigby wedding planned

The approaching wedding of Miss Donna Earl Knight and Bret Hoelscher Rigby has been announced.

The bride-elect is the daughter of Mrs. Edna Knight of Washington, D.C., formerly of Murray, and the late Newell Sam Knight.

She is presently employed as a Policy Analyst in the Drug Abuse Policy Office in The White House, Washington, D.C.

The groom-elect is the son of Dr. and Mrs. Carlos K. Rigby of Alexandria, Va.

He presently is a Management Consultant for Requisite Organizational Design in Alexandria, Va.

Miss Knight is a graduate of the University of Tennessee and received her Master's of Education in Counseling from Brigham Young University in Provo, Utah.

Mr. Rigby is a graduate of Brigham Young University where he received his Bachelor of Arts degree in Political Science.

The wedding will be solemnized on Saturday, May 2, in Washington, D.C.



Donna Earl Knight and Bret Hoelscher Rigby to marry



Lodge 728 gives items to center

As a special project for the first quarter, members of Woodmen of the World Lodge 728 donated items for Spouse Abuse. These items are used in the safe house provided by victims of spouse abuse by Murray Spouse Abuse Board. Pictured with the items are special project committee members from left, Shelby Suiter, Kathryn Outland and Debbie Settle.

Calloway Teen Club elects officers

Calloway County Teen 4-H Club held its monthly meeting on Tuesday, March 17, at the County Ex-

office with Amanda Sims, president, presiding. The members discussed plans

for a trip to Washington, D.C., for the American Heritage Conference the week of spring break. Teen members going include Bridgette Burnett, Catherine Faughn and Charles Palmer.

Other business included a discussion of the Fontana trip, the area 4-H council meeting, demonstration and speeches for Rally Day and club work for the county variety show to be held April 17.

Becky Freeze received her 4-H Food Preservation Record Book which had been entered in State 4-H competition. She placed second in the competition.

New officers elected to begin their term of office during the April meeting were the following:

Tracey Henry, president; Missy Poat, vice president; Lena Haley, secretary; Vicky Grady, treasurer; Becky Freeze, reporter; Patrick Orr, sergeant-at-arms; Dwain McKinney, parliamentarian; Bridgette Burnett, recreation leader; Mary Ann Todd, telephone committee chairman.

After the election Phyllis Freeze gave a presentation on "Common Rocks, Fossil and Artifacts of Kentucky." This coincides with a geology project the members are working on. A follow-up education trip to Mammoth Cave is being planned for club members.

Any person, aged 14 to 19, is invited to attend any meeting. Information concerning 4-H can be answered by Jane Steely at the County Extension Office, 753-1452.

Others attending the meeting were Sherri Tidwell, Joyce Tidwell, Jane Steely, club leader, Rosetta Todd, Rebecca Todd and Stacy Morris.

Baby, dismissals listed Wednesday

One newborn admission and dismissals at Murray-Calloway County Hospital for Wednesday, April 8, have been released as follows:

Newborn admission
Smith baby boy, parents, Cheri and Kevin, Rt. 2, Box 276C, Murray.

Dismissals
Mrs. Donna Nichols and baby girl, Rt. 7, Box 307A, Benton; James Leslie Jones, 190 Mound Lane, Cadiz;

Glenn Garland, Rt. 1, Box 2, Hazel; Miss Deborah Tinsley and baby girl, 409 North Fourth St., Murray;

Mrs. Pamela Kay Saddoris and baby boy, Rt. 2, Box 208A, Murray; Miss Alice Fay James, Rt. 6, Box 316, Murray;

Mrs. Earlene Boyd, Rt. 4, Box 230, Murray; Miss Diana Gail Argo, Rt. 6, Box 315A, Mayfield;

Mrs. Hilda Mae Adams, 1633 Farmer, Murray; Vernon Anderson, 2006 College Farm Rd., Murray;

Mrs. Lexie Hicks, Rt. 1, Box 154, Dexter; Mrs. Callie Dick, Box 1081, Paris, Tenn.;

H.J. Bryan, 1302 Wells Blvd., Murray; Dallas Rummager, 1514 Dudley Dr., Murray;

Mrs. Libbie James, Box 192, Hazel; Mrs. Carmen Horton, 914 Coldwater Rd., Murray;

Fred Earl Perry, 406 North Second St., Murray; Ollie M. James, Rt. 7, Box 72, Murray;

J.T. Phillips, Rt. 2, Covey Dr., Murray; Mrs. Cora Shekell (expired) 417 South Eighth St., Murray.

DATEBOOK (Cont'd from page 5)

Patients are dismissed

Local persons recently dismissed from area hospitals include the following: Freda Rogers of Murray and Martha Hudspeth of Kirksey from Community at Mayfield; Robert Andrus of Hardin and Martha Anderson of Hazel from Marshall County at Benton; Jo McDaniel of Murray and Rex Mustard of Hardin from Lourdes, Paducah; Willie Collins of Murray from Western Baptist, Paducah.

Mt. Sinai schedules revival

Mt. Sinai Baptist Church will have revival services starting Tuesday, April 14. The Rev. Mike Stawki will be the speaker for the services at 7:30 each evening through Friday, April 17. The Rev. Ray Barrow, interim pastor, invites the public to attend these services.

Prime Time Plus at Memorial

Prime Time Plus for senior citizens of Westside Baptist Church and Memorial Baptist Church will held Monday, April 13, from 11 a.m. to 1 p.m. at Memorial Church, 10th and Main Streets, Murray. A noon meal will be served with Memorial furnishing drinks, bread, salads and vegetables. The public is invited to attend this special event, a church spokesman said.

Oaks ladies plan for luncheon

Ladies of Oaks Country Club will have their ladies' day luncheon on Wednesday, April 15, at noon at the club. Reservations should be made by Monday, April 13, with Laura Parker and Sue Lamb, co-chairmen for the event. Other hostesses will be Linda McKinney, Sheila Nance, Fay Nance, Judy Edwards, Betty Lowry, Eleanor D'Angelo, Helen King, Suzanne Oakley, Jo Lovett, Joyce Morton, Erma Tuck, Nancy Bogard, Debra D'Angelo, Connie Lilly, Fay McConnell, MARGO McIntosh, Wilma Pace, Murrelle Walker, Claire Benton and Mary Bain. Ladies bridge with Peggy Noel as hostess will start at 9:30 a.m.

Murray ladies plan for luncheon

Ladies of Murray Country Club will have their ladies' day luncheon on Wednesday, April 15, at 11:45 a.m. at the club. Reservations should be made by Monday, April 13, by calling Blanche Titsworth or Libby Hart, co-chairmen for the event. Other hostesses will be Cecelia Brock, Margaret Boone, Molly Booth, Carole Edwards, Leah Hart, Betty Hassell, Mary Beth Hays, Kay Haywood, Ann Hoke, Shirley Homra, Lynn Houston, Joyce Hughes, Jenny Hutson, Susan Hart, Barbara Erwin, Evelyn Jones, Jo Oakley, Patsy Oakley, Sue Overbey, Frances Pinkley, Judy Payne, Sharn Wells, Frances Matarazzo and Mug Rigsby. Ladies bridge with Inus Orr and Jane Fitch as hostesses will start at 9:30 a.m.

Vocational Center plans class

Murray Area Vocational Center will begin a retail sales training class on Monday, April 13. The class will meet from 1 to 5 p.m. for six weeks with Wacy Harrington as instructor. There is a \$30 registration fee. The program also is available to JTPA (Job Training Partnership Act) participants which means the registration fee is paid for those eligible for JTPA. For information call the center, 753-1870, or Mrs. Harrington at 753-8745.

Physically Fit film series planned

A Physically Fit Film Series will be shown for five weeks between 5 and 6 p.m. on Sundays at First Baptist Church. The first film on "The Christian and Physical Fitness" will be shown Sunday, April 12. Others will be "Developing Cardiovascular Respiratory Fitness" on April 19; "How to Maintain Proper Body Composition" on April 26; "Developing Strength, Endurance and Flexibility" on May 3; "Keeping Our Bodily Temple Holy and Clean" on May 10. This is open to the public, a church spokesman said.

WKPIC will meet on Tuesday

The West Kentucky Private Industry Council will meet Tuesday, April 14, at 2 p.m. at Ken-Bar-Inn, U.S. 641 near Gilbertsville. The WKPIC will be involved in reviewing the Job Training Partnership Act (JTPA) Title IIA Plan Modification for the upcoming program year operations from July 1, 1987 to June 30, 1988. The council also will be reviewing summer youth levels for the Purchase/Pennyrile Service Delivery Area under JTPA. For more information call WKPIC, Hopkinsville, 1-866-9484.

SNAPPER SUPER SPRING SAVINGS SPECIAL

FREE ATTACHMENT · NO DOWN PAYMENT · NO MONTHLY PAYMENT FOR 90 DAYS*

During SNAPPER's Spring Savings Event it's easy to join the millions of satisfied SNAPPER owners. You'll discover that SNAPPER offers you more value and quality for your dollar.

Now, for a limited time, SNAPPER has created a spectacular value on a limited quality of 3.5 HP self-propelled walk-behind mowers. The spectacular price of \$399.95 gives you the best SNAPPER value ever! Plus you will receive a Grass Catcher Kit absolutely FREE with your purchase!

Now's the BEST time to buy a SNAPPER for all the details visit your nearest SNAPPER dealer today.

Take advantage of our convenient Snap-Credit Plan which features no down payment and no payment for 90 days.



ONLY \$399.95

Manufacturers Suggested List Price \$464.00
Model 21351PD (While Supplies Last)
(Prices may vary from dealer prep and freight)

It's a snap with **SNAPPER**
A division of Fuqua Industries

SNAPPER Snap Credit
AS LOW AS \$20 PER MONTH

2 YEAR LIMITED WARRANTY

*Finance charges accrue from date of delivery

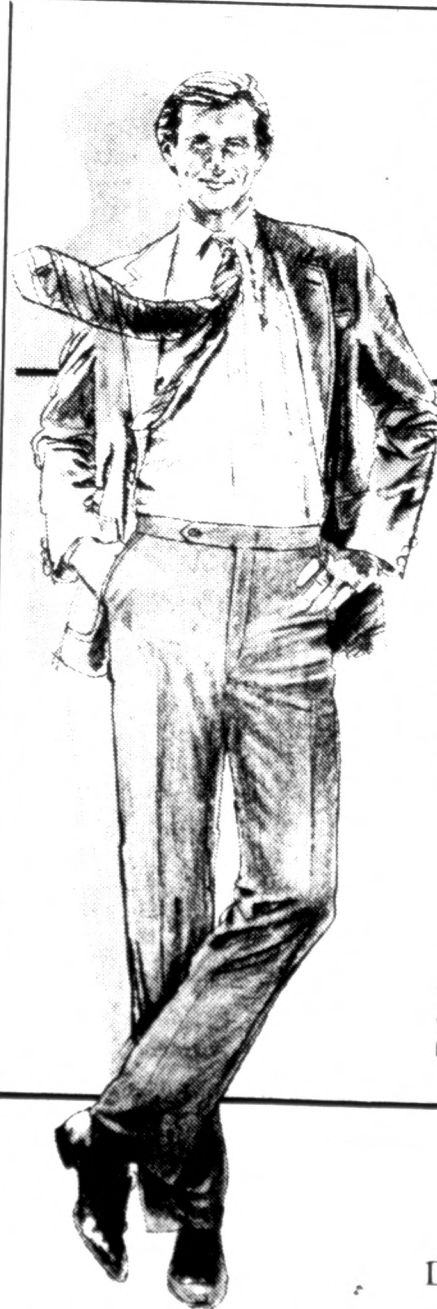
HURRY! OFFER ENDS SOON
Available at this participating dealer.

Murray Home & Auto

Chestnut Street
Murray, Ky.



Phone
753-4110

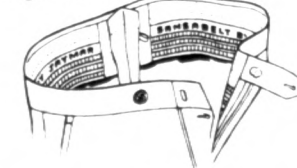


Try on a pair. You'll buy a pair. Once you experience the unique fit and comfort of Sansabelt slacks, you'll be sold. They're cool and lightweight...the best you can buy. For active men who want to stay in step while staying in style. Come in and see our wide Sansabelt selection.

SANSABELT

The world's most comfortable slacks!

Featuring the unique patented triple stretch waistband. Experience the amazing comfort and the trim, slim feeling. Webbing guaranteed for the life of the garment.



Look for the famous "S" button. It's your assurance you're buying genuine Sansabelt by Jaymar-Ruby, Inc.

Discover Welcome
Discover Welcome

Buckingham Bay Ltd

970 Chestnut St.

Sale Days

Children's and Ladies' EASTER DRESSES

— Great Selections —

Coordinated pants, skirts, tops, jackets (One group)

25% off

One Group Skirts \$12.99

One Group Blazers

\$19.99

"Every Day's A Sale Day At Jo-An's"

JO-AN'S VARIETIES

Court Square

WRITERS' POTPOURRI

Gladys Jarrett,
Director



trust me to lead you to a far land.

I stubbed my toe and fell upon the sand.
I lay in the warmth and heard his reprimand
Then the bird seemed to gently scold
get-up get-up when you fall.

AT FORTYFIVE
By Lyman Pearson

You're the sweet girl
That I married,
Tho we both
Have changed to gray.
Our love shall
Live forever
On past our
Dying Day!



PAGEANT WINNER - Alicia Beth Eaves was named as second runner-up at the Town and Country Pageant held March 14 at Executive Inn, Paducah. She received a trophy for best personality and a trophy for second runner-up. She is the four-year-old daughter of Mike Eaves and Sharon Eaves of Murray. Her grandparents are Brooks and Peggy Gibson of Hazel and Marie Weaver of Murray. Her sponsors included Wal-Mart, D&W Auto Parts and her family. Alicia Beth will advance to the state finals in May.

Writers' Potpourri will be Saturday, April 11, at 9:30 a.m. at Calloway County Public Library. This is open to all ages, according to Gladys Jarrett, director, who has released some of the poems written by those at the potpourri.

SILENT STORMS
By Charlie E. York

LISTEN!! Surely you can hear my inward cry?
STOP!! For a moment, before you rush by,
SEE!! a tumult is raging, like surfacing whales,
My heart is racing, like stormy gales;
LOOK!! open your eyes, surely you can see,
The shadows that cover my face, like a shroud draped over me,
THINK!! If you would dare understand,
Yet you don't notice, I along the gales withstand.

BIRDS IN THE TREE
By Lillian Westwell

A beautiful tree, how proudly it stands
She spreads her branches over the land,
She beckons travelers, to rest 'neath her shade
and welcomes the birds, to nest they have made.
The birds are happy to welcome the spring.
As they sit in her branches to thank her, they sing
the songs of love, the joys of life.
Such beauty and peace, within a world of strife.
Oh, that as humans we could very well be
as thoughtful and gracious as the birds in the tree.

The Graceful Bird in Flight
By Jerome Horn

The birds of light are graceful creatures
They're nature's most amazing features
They glide upon the wind float and soar over the clouds
They dive through the air perform loops in the sky and sing as they fly.

YOUR TEAR
By Chris Harrison

The single tear which rolled down your cheek,
lingers on in my heart.
Your passing was of the gentlest nature,
You were so submissive to His calling.
I think of you so often.
I hear your precious thoughts singing to me in friendly reminders.
"With each new babe," you'd say, "there are still 24 hours in a day."
I think I almost have a grasp now!
Time is man-made, God is Forever! Praise the Lord!
Rejoice! Be Glad! Let the worldly things go--
Be a child of our Father.

WHEN YOU FALL
By Marie Jarrett

Won't you follow closer the little bird seemed to say
Follow me onward trusting
Let me lead the way.
I hesitated at the river bank the bird cheered me on.
"Let me lead you across the narrow plank"
He cheered me as he sang
Won't you follow calmly

Chilcutt gives program at local chapter event

March meetings of Preceptor Omicron Chapter of Beta Sigma Phi included a dinner meeting at the Hong Kong Restaurant on March 19 and a regular business meeting on March 5 at the Chamber of Commerce Centre. Barbara Chilcutt presented a program on "How Our Community Helps Us" and Glenda Wilson served as hostess on March 5. March service projects included a special contribution to the gasoline fund for the Murray Chapter of Parents Anonymous of

Kentucky. Also a donation was made to aid in purchasing awards and ribbons for school-aged participants of the Spring Potpourri. This art show is sponsored by the Calloway County Public Library and will be held there on Saturday, May 2. Members in attendance for March meetings included Barbara Chilcutt, Rowena Emerson, Brenda Estes, Mary Graves, Lois Ruiz, Peggy Shoemaker, Joyce Thomas, Barbara Williams and Glenda Wilson.

Dress & Suit Sale:
Buy 1, save 20%
Buy 2 or MORE, save 25%
on each item! *Now Thru Sunday Only.



Find The Best Styles:
*Shirtdresses
*Tank Dresses
*2-Piece Dresses
*Day-to-Evening Looks
*Social Occasion Dresses
*2 & 3-Piece Suits

The Freshest Fabrics:

*Linen
*Georgette
*Challis
*Cotton
*Knits
*More

In Every Size:

*Junior
*Misses
*Petites
*Halfsizes

This Sale Is An Additional 20% To 25% Off Our Everyday Low Selling Prices!

Dresses Our Price 12.99 To 49.99

Suits Our Price 35.99 To 79.99

*Sale applies to regular priced merchandise only. Prom Dresses not included.

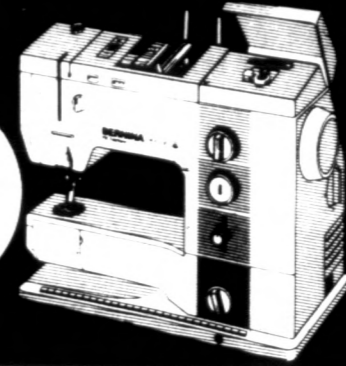


Behr's

Central Shopping Center
Murray, Ky.

SAVE TWO WAYS ON THE BERNINA 930

Mfrs. List: \$1499
NOW \$999



PLUS \$50 on the rebate

Sew creative - at savings you've never imagined!

The Bernina 930 Electronic gives you everything you've ever wanted in a sewing machine - and more - including:

- Famous Bernina self-adjusting tension
- 28 built-in stitches, from basic practical to decorative
- Automatic basting, blind hemming, buttonholing
- Automatic needle UP and DOWN

Sew Much Better BERNINA

The Magic Thimble, Inc.

813 Coldwater Rd., Murray

Hurry! Rebate offer ends July 31, 1987!

Sale price offer ends APRIL 11, 1987



759-4769

APRIL VAULT CLEARANCE
SAVE UP TO **55%** off
ALL DIAMONDS, SEIKO WATCHES, ALL 14K. JEWELRY, KREMENTZ, BLACK HILLS GOLD, ETC.

YOU CAN CHARGE IT... WHILE YOU WAIT!
LAYAWAYS-BANK CARDS

Michelson JEWELERS
Chestnut Hills Shopping Center
Murray 753 7695

Kentucky News In Brief

COLUMBIA, Ky. (AP) — A committee headed by the chief of the medical staff at Westlake Cumberland Hospital wants the administrator, his assistant and the board of directors to resign.

The board and administrators refused the demand, which is part of a feud waged in recent weeks between the board and the Committee for Quality Care at Westlake Cumberland Hospital.

The committee claims administrator Rusty Tungate improperly obtained medication from the pharmacy; a board member had a conflict of interest in a milk purchasing contract for the hospital, and the board and administrators have treated hospital staff members badly and kept them out of hospital decisions.

Dr. Jann Aaron, the head of the committee, said the hospital had lost several good staff members because of what she called the oppressive attitude of the administration. She said she was resigning, effective May 10.

Tungate said the real issue was control of the hospital. He denied the committee's accusations and claimed Ms. Aaron, a radiologist, and her associates wanted to wrest control of the county-owned hospital from the directors appointed to run it by the Fiscal Court.

WINCHESTER, Ky. (AP) — A Clark County Circuit Court jury has convicted a private investigator of bribing a witness in a murder trial last year.

But Thurman R. Misenheimer was cleared of two other charges Tuesday when Judge James S. Chenault entered directed verdicts of acquittal on counts that he intimidated and tampered with the witness in Nick Harrison's trial.

The jury recommended that Misenheimer, 51, receive a three-year prison term for his conviction on the bribery charge. Chenault scheduled sentencing for April 16 and allowed Misenheimer to remain free on bond.

Misenheimer's attorney, Donnie White of Georgetown, said Misenheimer would ask for a new trial and if that failed, would appeal his conviction.

Misenheimer was convicted of bribing Mildred Shuler, the only witness who could place Harrison at the trailer park where Irvine Police Chief Bob Walker was killed. Harrison was convicted of Walker's murder last Sept. 30.

Misenheimer was the private investigator for J. Campbell Cantrill III, Harrison's chief attorney.

The indictment in the bribery charge said Misenheimer unlawfully

gave Mrs. Shuler a \$55 check last summer, thinking she would be a witness in the Harrison case.

CATLETTSBURG, Ky. (AP) — Boyd County Clerk Bill Selbee says his office has certified a sufficient number of signatures to get Catlettsburg's annexation proposal on the Nov. 3 ballot.

Selbee said Tuesday the signatures of 846 residents were certified on petitions turned in by a group opposed to annexation by the city of Catlettsburg. Only 697 were needed to put the issue before the voters.

In the general election, 1,046 residents in the annexation area will have to vote against the proposal to kill it. The area is about six times the size of Catlettsburg.

FRANKFORT, Ky. (AP) — The National Guardsmen dispatched to help parts of eastern Kentucky recover from the weekend snowstorm were released from active duty Wednesday, a Disaster and Emergency Services spokesman said.

The guardsmen from the 206th Engineering Battalion continued to work through the day Wednesday in Pike and Letcher counties, but were to return home later in the day. The rest of the guardsmen returned home Tuesday, DES spokesman Don Armstrong said.

Most of the customers whose electricity was cut off by fallen tree limbs and trees had power restored by mid-week, and the roads seemed clear, he said.

COVINGTON, Ky. (AP) — Restaurateur Jeff Ruby has applied to the U.S. Army Corps of Engineers for a permit to operate a beach on an Ohio River barge.

The sand, swimming pool and bar will be on a 200-foot barge stationed next to Ruby's restaurant, The Waterfront, and towed on the river.

"It will be like lying on the beach, only going up and down the river the whole time," he said. He said he had the idea two years ago after he invited some friends to join him on a barge ride to watch the Riverfest fireworks display.

"That was the most fun I've ever had," Ruby said. "The idea of it being totally open — no walls, no roof, not being closed in and having it go up and down the river where you want it — is a new adventure."

The Flamingo Beach Club will accommodate 400 people and should be open by summer 1988 as part of a \$2 million expansion project that includes a second nightclub, Coconut Joe's, featuring an outdoor cafe, tropical bar and live entertainment.

The riverfront property is included in Ruby's lease with the city of Covington. Financing will come from The Waterfront Associates, a partnership which includes Pete Rose of the Cincinnati Reds and Cris Collinsworth and Boomer Esiason of the Cincinnati Bengals.

LEXINGTON, Ky. (AP) — The death of a Lexington man last month in a fire at his Hume Road home has been ruled an accident by the Fayette County coroner's office.

Deputy Coroner Rolan Taylor said Wednesday that Les Schlansky, 49, a businessman and horseman, died from carbon monoxide poisoning during the March 11 fire that destroyed his home.

He said officials believe Schlansky set the fire himself, but "had no intention" of committing suicide by staying in the burning home.

Taylor said investigations show Schlansky became trapped inside his \$800,000 home after setting the fire and could not get out. He said toxic fumes given off during the fire from the thick carpeting in the house could have made Schlansky disoriented. He said Schlansky also had been drinking heavily.

Officials had considered that Schlansky, distraught over financial and personal problems, had intended to kill himself by setting the fire.

Possible diversion of funds under scrutiny

WASHINGTON (AP) — An inquiry by Attorney General Edwin Meese III that showed possible diversion of funds to Nicaraguan rebels is under scrutiny again after it was disclosed the Justice Department and the FBI earlier raised questions about activities of Oliver L. North.

Meese launched his inquiry last Nov. 21, rejecting an offer of assistance from FBI Director William Webster and using a few trusted political aides to assist him instead of the department's career criminal attorneys.

By the time the Meese probe turned into a formal criminal in-

vestigation on Nov. 26, documents crucial to the inquiry had been destroyed or altered, government investigators have said.

Last Oct. 30, a memo based on conversations between a Justice Department official and the FBI speculated that North, the fired National Security Council deputy who now is a central figure in the investigation into alleged diversion of funds to the Contra rebels, could face criminal investigation for his activities in Central America.

Details about the memo were released Wednesday by Webster and the Senate Intelligence Committee at Webster's confirmation hearing to become CIA director.



Murray Mayor Holmes Ellis recently signed the proclamation designating the week of April 5-11 as Building Safety Week. Witnessing the signing is Murray Fire Marshal Phil Owens.

Millions of workers may lose their tax deductions for IRAs

WASHINGTON (AP) — Millions of workers are about to lose their tax deductions for Individual Retirement Accounts, and the prospect may be responsible for a lag in claiming IRA contributions on tax returns being filed this year.

Returns for 1986, which must be filed by next Wednesday, are the last on which more than 6 million higher-income people will be allowed to take a full IRA deduction. Investment authorities say confusion about when the changes take effect may account for the fact that IRA deductions are down slightly from last year.

But neither the Internal Revenue Service nor the people who sell IRAs seem concerned. Sampling the more than 53 million returns filed through March 27, the IRS estimated IRA deductions were claimed on 10.4 percent of them, compared with 11 percent for the same period last year.

"Some people apparently are holding back making their contribution this year because they have heard they are no longer eligible," said Don Underwood, a vice president with Merrill Lynch. But he predicted a heavy advertising campaign spelling out that the

old IRA rules are still in effect will boost sales before the filing deadline.

Kim Gates, a spokeswoman for the U.S. League of Savings Institutions in Chicago, said the ads already are paying off. "There really doesn't seem to be as much confusion as one might anticipate," she said. The Investment Company Institute, representing mutual funds, agreed.

IRA deductions were claimed on 16.1 percent of returns filed last year. And the rules are unchanged for returns being filed this year.

Any worker under age 70½ may set aside \$2,000, or total earnings, whichever is smaller, in an IRA and pay no tax on that money or the interest it earns until it is withdrawn. A two-earner couple may contribute up to \$2,000 to each of two accounts. A one-earner couple is allowed two accounts totaling up to \$2,250, with no more than \$2,000 in either.

But for income earned in 1987 and later years, as many as 6 million higher-income couples and individuals will lose the entire IRA deduction; others will lose part of the writeoff.

Air traffic control miscues soared by 18 percent this year

WASHINGTON (AP) — Air traffic control miscues that resulted in planes coming closer than federal regulations permit soared by 18 percent during the first three mon-

ths of the year, the Federal Aviation Administration says.

The increase is of special concern because it followed a decline in such errors during the last three months of 1986, an FAA official said.

Senior FAA officials, perplexed by the increase, said they are looking further into why controllers committed 313 "operational errors" during the first quarter of 1987, compared with 264 during the same period a year ago.

"It's an indication that we should be concerned," Keith Potts, associate administrator for air traffic control, said in a telephone interview Wednesday night. "It doesn't mean the sky is falling."

But he said the Jan. 1-March 26 figures caught his attention also because in the last quarter of 1986 operational errors declined by 6 percent when compared with the same period a year earlier.

Lawsuit filed against state transportation

LEXINGTON, Ky. (AP) — A multimillion-dollar federal lawsuit has been filed against the state transportation secretary, the company that bought options for the Toyota plant project and several private individuals for alleged fraud in the sale of a Scott County farm.

Businessman Oliver H. Daniel of Richardson, Texas, and the Caulfield Corp. of Dallas are seeking damages of more than \$26 million or the return of Irish Hill Farm Ltd. The farm of nearly 75 acres along U.S. 62 later became part of the state's land-acquisition incentive for the Toyota auto assembly plant near Georgetown.

The suit, filed in U.S. District Court in Lexington, alleges the farm was purchased in March 1986 for use for an access road to the plant site.

The plaintiffs claim they were defrauded in the sale, but most respondents have sought dismissal of the suit and denied wrongdoing.



Jamie D. Washer, FICF Field Representative
110 Broach Avenue, S.
Murray, KY 42071
Call 753-4374

MEET JAMIE D. WASHER, FICF ...MULTI-MILLIONAIRE CLUB

Last year, he sold \$8,430,755 in life insurance protection.

At Woodmen we're proud of him, as are his many friends and customers. His success is the direct result of personal service, individual attention, and great dedication to his clients.

Because of his outstanding record in providing Woodmen members with life insurance protection, he is being honored by induction into the exclusive Woodmen President's Cabinet.

Perhaps he is the professional who can help you determine your life insurance needs.

WOODMEN OF THE WORLD LIFE INSURANCE SOCIETY
The FAMILY Fraternity
HOME OFFICE OMAHA, NEBRASKA

Coast to Coast
We're here to help you. We're TOTAL HARDWARE.

DOUBLE REBATE!	DOUBLE REBATE!
Sale Price 2.49	Sale Price 1.99
Less Consumer Rebate -0.40	Less Consumer Rebate -0.40
Doubled when Accompanied by this Ad -0.40	Doubled when Accompanied by this Ad -0.40
Your Cost After Rebate 1.69*	Your Cost After Rebate 1.19*
<small>*Send in this ad with on-bag coupon (40¢) for DOUBLE the value (80¢) CLIP AND ATTACH WITH REBATE</small>	<small>*Send in this ad with on-bag coupon (40¢) for DOUBLE the value (80¢) CLIP AND ATTACH WITH REBATE</small>

Central Shopping Center 753-8604

*** Send in this ad with on-bag coupon (40¢) for DOUBLE the value (80¢). CLIP AND ATTACH WITH REBATE 10 Bag Limit Per Customer**

We Use **Aluminized Mufflers and Exhaust Pipes**
FREE ESTIMATES
GERRALD BOYD'S AUTO REPAIR & SERVICE CENTER INC.
514 S. 12th 753-1750

Come To The **MOVIES**
Weekend Special
Rent 5 Movies For \$10
Members Get 6 Movies
Each Additional Movie 99¢
Pickup Friday Bring Back Monday

Free Popcorn & Cokes
2 Liter Cokes Only 99¢

Choose from over **2450 movies**
Open til 8 Fri. and 6 Sat.

Rent a VCR for the weekend for only **\$8.95** and get a **FREE movie**

MURRAY RENTAL SALES CENTER
200 E. Main St. Murray 753-6361

Calloway County, Murray High students fare well in Foreign Language Festival

Approximately 800 junior and senior high school students from 17 area schools competed in the 15th annual First Region Foreign Language Festival March 26, hosted by the Department of Foreign Languages at Murray State University.

Students competed in 13 events in four languages - French, Spanish, German and Latin. First place winners in French and Spanish events and first through third place winners in German and Latin events qualified for the state festival scheduled May 16 at the University of Kentucky.

Tournament director Dr. Milton Grimes, chairman of the Department of Foreign Languages at MSU, explained that in order to win first through third places, students had to meet minimum score requirements set by the state as well as to outdo their fellow competitors in each event.

Murray High School took the first place sweepstakes awards in Spanish and French while Hickman County High School won first place sweepstakes in German and St. Mary High School, Paducah, took first place sweepstakes in Latin.

Members of the foreign languages and English faculty and more than 50 MSU foreign language students assisted with the festival.

Area students and performance groups that qualified for the state festival include:

Caldwell County High - (French) Choral group.

Calloway County High - (French) Alan Bezzill, Shane Black, Donald Dick; (Latin) Stephanie Lucas, Tracey Henry, Raquel Wallace, Michelle Stubblefield, Valerie Barrett, Amy Browne, Drew Armstrong, Tracey Coleman, Joey Walle; (Spanish) Beth Henniger, Mark Watkins.

Crittenden County High - (German) Kim Morris, Matthew Smith, Galle Driver, Jay Morris, Tony Thomas, Candice Tabor, Eric Henderson, Clay Stevens, drama group, choral group.

Fort Campbell Junior High - (German) Cendric Michon, Latasha Walker, Georgia Hyatt, Sol Neely, Emily Johnson.

Graves County High - (Spanish) Heather Edwards, Tracy Dowdy, Carol Abner.

Hickman County High - (German) Janice Lawrence, Carla Miller, Julie Long, Cherry Mills, Paula MacDanel, Jan Byassee, Tim Fortner, Jay Reber, Tonya Campbell, choral group, drama group.

Lone Oak High - (French) Bill Johnston, Jason Harting; (Spanish) Shane Bradley, Carry Collins.

Marshall County High -

(French) Martha Wilson. Mayfield High - (Spanish) Tommy Harrison.

Murray High - (French) Maylene Chu, Irene Chu, Mark West, Lori Payne, Shannon Wells, Karl Hoerkesdal, Robin Shay, Debbie Rutledge, Melissa Gray, Bill Mills, Chris Watson, Damara Lanier, Mistianna Holcomb, drama

group; (Latin) James Westphal, Charlotte Dawson, Laura Lawson, David Overby, Krystal Mowery, Meila Ford, Elizabeth Daxley; (Spanish) John Kind, Dennis Stagner, Debbie Toth, Kristi Hohman, Matt Cohen, Joe Chaney, Don Juan, Valerie Hatton, drama group. Paducah Tilghman High -

(French) Kirstin Rudolph, Auhu Rouge; (Latin) William Lin, Allen Northridge, Liz Petter, Niki Duelllette, Thomas Hudson, Chris Adams, choral group; (Spanish) John Keeling, Carla Tohtz, Lisa Martin, Laurie Cox, Annissa Moore. Saint Mary High - (Latin) Pam Shoulta, Tracey Wurth, Tom

Burch, Trena Matters, Todd Hatton, Michelle Paxton, Dianne Kellermann, Heather Poat, drama group, choral group; (French) Beverly Haydn. Trigg County High - (German) Jesse Darnell, Darlene Keahey, Linda Keys, Jodie Cannon, Shawn Perry, Lynn Huddleston, Frank Boone, Eric Ezell, Darla Grasty,

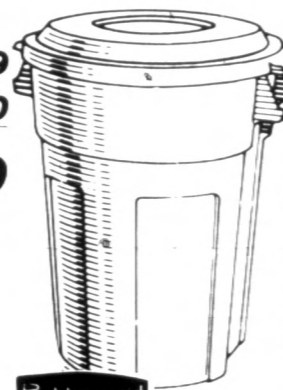
Julie Prince, Beth Pryor, Lee Peacher, Marie Spurlin.

University Heights Academy, Hopkinsville 8 (French) Ben Durbin, Tim Durbin.

Other schools with students participating in the festival were Heath, Livingston Central, South Hopkins and West Hopkins high schools.

SPRING SALE

32-Gallon Trash Can
Sale **9.99**
Less Mail-in Rebate - 2.00
Your Net Cost 7.99
"Roughneck" copolymer trash can stands up under sub-zero temps. Lid fits tightly. Molded handles. Chocolate color. (111-5914)



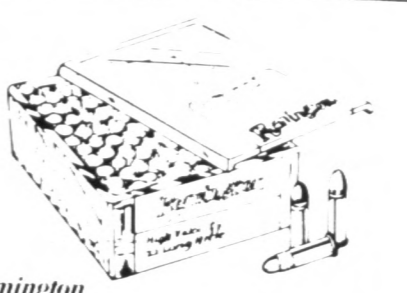
20-Lb. Bag Lawn Fertilizer Sale **4.66**
Long-lasting, non-burning, easy to apply, fast green-up. Covers 5,000 square feet. 25-4-8 analysis (492-0153)



Champion Spark Plugs Sale **79¢**
For a smoother-running, faster-starting, more efficient engine. Non-resistor. Each. Resistor-Type. Each. 89¢



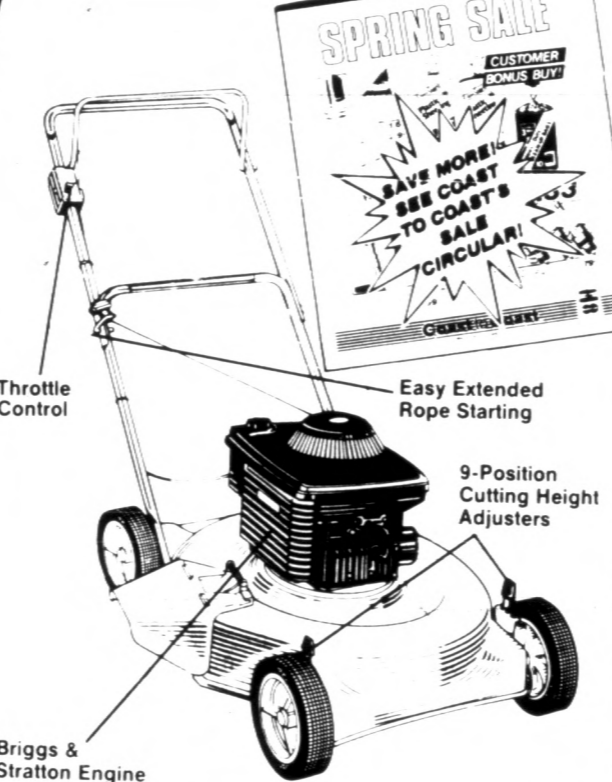
Remington .22 LR Cartridges Sale **2.29**
Great for plinking, target shooting or small game hunting! "Golden" lubricant. Long rifle, high-velocity. 100-pack (607-4595)



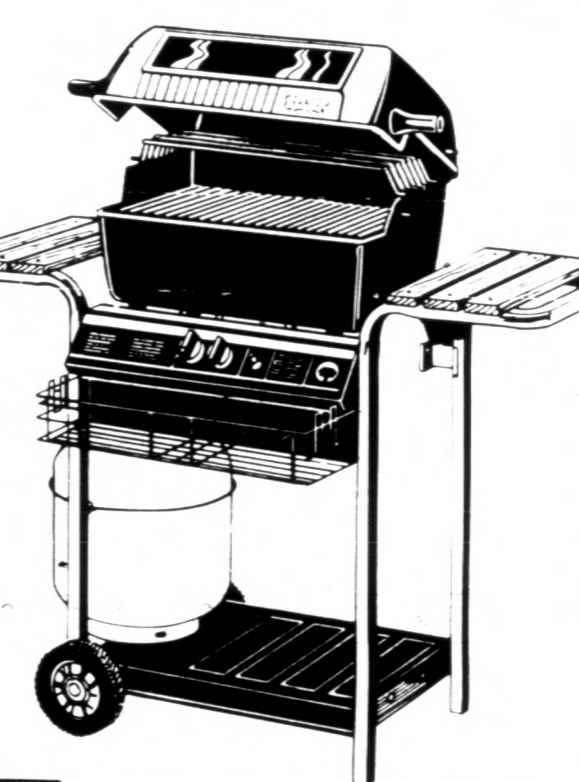
CUSTOMER BONUS BUY!
3.33
Your Choice Poly Sheeting. Pre-cut sheets of 3.5-mil. plastic, 10 x 25'. Clear or black. (323-0570, 0596)
Ruffies® Heavy Duty Clean-Up Bags. 6-bushel. Roll/10. (492-1037)



20" Deluxe Push Mower with B&S Max Engine Sale **159.99**
Fully baffled underdeck for smooth, even cutting! 3.5-HP Briggs Max engine. 9-position height adjusters. Easy Extended Rope Starting. In carton. (481-0610)



30,000 BTU Instalite Gas Grill with Tank Sale **149.99**
Pushbutton electronic starter gets you cooking fast! Dual burner controls. Two oak-stained side shelves. Glass window. In carton. (272-2411)



Arrest adds fear to peace talks

WASHINGTON (AP) - The arrest of another Marine guard on espionage charges is deepening fears of Soviet penetration of U.S. embassies, and Secretary of State George P. Shultz says the spying casts a "heavy shadow" over superpower peace talks.

"They invaded our sovereign territory and we're damned upset about it," Shultz said Wednesday as he prepared for a weekend flight to Moscow for arms control talks with Soviet leader Mikhail S. Gorbachev and other Kremlin leaders.

"I intend to say to the Soviets they can't expect to continue, incessantly, massively, to work to create a hostile environment for our people overseas without cost to themselves and their relations with us," Shultz told reporters.

Shultz said the talks would take place "in a difficult environment generated by their actions, and these things cast a heavy shadow on our discussions."

Minutes earlier, the Pentagon announced that Sgt. John Joseph Weirick, 26, of Eureka, Calif., was arrested on suspicion of espionage while working as a security guard at the American consulate in Leningrad in 1981 and 1982.

Weirick, who also worked in Moscow and Rome, was the third Marine guard suspected of spying at U.S. posts in the Soviet Union and is expected to be sent to the brig at the Marine base in Quantico, Va., where Sgt. Clayton Lonetree and Cpl. Arnold Bracy already are being held.

Because Weirick was transferred to Rome after working in Leningrad, security in the Rome embassy is being scrutinized. And Pentagon sources, speaking on condition they not be named, said the spy scandal that has focused on Soviet-bloc posts might be symptomatic of a much deeper breakdown in embassy security around the world.

Polyurethane Spray Paint Sale **2.49**
Renews and revitalizes hard to paint items. Use on wood or metal, interior or exterior. Colors! 12-oz. (579-5802 thru 6057)



AM/FM Stereo Cassette Player Sale **28.88**
Clips to your belt to deliver great stereo sound through the lightweight headphones! LED FM indicator. Fast forward, reverse. (211-1425)



Thompson's Water Seal Sale **8.97**
Clear waterproofer protects and seals wood, concrete, stone, canvas, leather and other porous surfaces. Gallon. (578-0663)



Covered Aluminum Junior Cake Pan Sale **2.99**
Great bake and take-along cake pan for brownies, bars, cakes! Raised snap-on cover protects toppings. 10 1/2 x 7 1/2 x 2 1/2". (796-2953)



Lawn Mower Thatcher Blade Sale **3.99**
Replaces mower blade to whirl up dead grass thatch. Lets your lawn "breathe" again! Saves hours of raking. (482-1039)



25-Ft. Powerlock II Steel Rule Sale **8.99**
25-foot locking tape with 1" wide blade. Remains rigid up to 7 feet. Stud markings every 16". Handy belt clip. (302-1227)



Stereo Headphones Sale **11.99**
Lightweight, compact, responsive 18 to 22,000 Hz Sony acoustic turbo circuit for great sound! 16mm driver unit. (204-1325)



Fyrnetics Smoke Alarm Sale **6.99**
Battery operated with dual ionization chambers. UL listed. Approved by all state fire marshals. 9-volt battery included. (455-0488)



4 Cu. Ft. Wheelbarrow Sale **24.99**
Haul soil, garden tools, more! Red finish steel tray is seamless. Wooden handles. Pneumatic tire. Unassembled. (492-1292)




6-Gallon Wet/Dry Shop Vac Sale **49.99**
Slurps up wet messes or dry! Automatic shutoff. 6 x 1 1/4" airflow control hose. 2 extension wands, 10" nozzle and 4-wheel dolly. 94-HP. (316-5057)



Clear Wood Preservative Sale **7.99**
Protects wood doesn't hide its beauty. Gallon. (538-6800)



Duracell Alkaline Batteries Sale **1.77**
Long-lasting power for radios, tape recorders, flashlights and toys! One 9V or two D, C, AA or AAA size. (465-0438, 0339, 0305, 0362, 0414)



Coast-to-Coast
America's Locally-Owned, Nationally-Known TOTAL HARDWARE Store.

Store Hours:
Mon.-Sat. 8:00-9:00
Sun. 12:00-8:00

Central Shopping Center
753-8604





Grover H. Burkett, FICF
Area Manager
WOW Bldg., #102
Third & Maple
Murray, KY 42071
Call 753-3932

MEET
GROVER H. BURKETT, FICF
...SENIOR EXECUTIVE CLUB

During the past year, our area has benefited from his expert management and performance in providing and administering life insurance protection. He is being honored nationally through his induction into the Senior Executive Club, the ultimate recognition in Woodmen field management. Such an honor comes only with exceptional management and dedication to serving the life insurance needs of Woodmen members in this area. Contact your local Woodmen of the World representative. He can help you determine your life insurance needs.

WOODMEN OF THE WORLD
LIFE INSURANCE SOCIETY
The FAMILY Fraternity
 HOME OFFICE OMAHA, NEBRASKA

Super Interest
Super Availability
Super NOW
 Checking/Savings Account

Republic Savings Bank has a new Super NOW Checking/Savings Account that pays a bonus rate. You may write as many checks as you like, have 24 hour access to your account with our Quest card, and receive monthly statements.

6.25% Annual Rate
6.45% Effective Annual Yield

This bonus rate is guaranteed until January 1, 1988. For super savings and maximum availability of funds open a Super NOW Checking/Savings Account at Republic Savings Bank Today!

Paducah: 1601 Broadway, 442-9171
 Murray: 1201 Main Street, 759-1630
 Benton: 507 Main Street, 527-3193



REPUBLIC
 SAVINGS BANK
 Minimum deposit of \$5,000.

R.M.S Titanic disaster marks 75th anniversary year

By Ink Mendelsohn
Smithsonian News Service
 "So, the crash came, it sounded like this to me, like tearing a strip off a piece of calico nothing more only a quiver... the ship rolling over a thousand marbles... as though somebody had drawn a giant finger along the side of the ship..." "An accident in the kitchen" thought Mrs. John Jacob Astor.

It would be hard to guess these accounts described the collision of the world's largest man-made moving object of its day — the R.M.S. Titanic — with a frozen colossus — a giant iceberg. Their fateful meeting on the night of April 14, 1912, sent the ship the press had dubbed "unsinkable" to the depths of the North Atlantic with 1,523 men, women and children aboard. The Titanic would not be seen again for 73 years.

For three-quarters of a century, the lost luxury liner has captivated the public imagination. And since she was found on Sept. 1, 1985, about 350 miles southeast of Newfoundland at 12,500 feet by an American-French team of oceanographers, interest in her past and controversy over her future have been building.

This 75th anniversary year of one of modern history's greatest sea disasters is being marked by new books, lectures, television specials and even a board game with a ship model that can be raised or lowered. Over the years, there have been at least 100 books, 300 songs, movies, plays, an opera, cartoons and a macabre synonym for an exercise in futility — rearranging the deck chairs on the Titanic. At the Library of Congress, inquiries about the Titanic are second only to those about the Civil War.

With all of the world's distractions and disasters, why the ongoing fascination with a ship that sank in 1912? "Titanic's story has so many facets — historic, scientific and personal," John Eaton believes. Eaton, who in 1963 was one of the founders of the Titanic Historical Society, likens the tale to a kaleidoscope. "Hold it up to the light, see the design. Give it a quarter turn and you have a new aspect."

Charles Haas, the society's president, who with Eaton has written a new book, *Titanic, Triumph and Tragedy* (W.W. Norton Co., 1986), thinks the fascination lies in the story's inherent drama. "We admire the great displays of courage and heroism — latent qualities in people not often seen in this hurry-up world," he says. "Modern disasters like air crashes and the Challenger tragedy leave little opportunity to be heroic."

The pride of the White Star Line sailed under British and American flags when she steamed out of Southampton, England, on her maiden voyage to New York on April 10, 1912. The ship's builders, Harland & Wolff of Belfast, Ireland, and her owners were proud that she had been built to the highest standards of quality and available technology.

Fully-equipped, the liner had cost \$7.5 million. Every detail, from the steel-plated hull to the delicate 21-light chandelier that graced the grand staircase, had been carefully planned and executed. The Titanic was equipped with a powerful Marconi wireless apparatus, a special cellular bottom, watertight bulkheads and doors and four more lifeboats than the 16 required by

British Board of Trade regulations.

Sixteen lifeboats, it was later calculated, would hold only a quarter of the 3,547-person certified capacity of the ship. Lifeboats for all on board were not thought necessary in an Edwardian world with supreme confidence in its technology. "I cannot imagine any condition which would cause a ship to founder... Modern shipbuilding has gone beyond that," Capt. Edward J. Smith opined six years before he took command of the Titanic. Smith met a captain's fate when the ship went down.

The Titanic was a post-Edwardian world afloat. The rigid class structure of life before the First World War was protected aboard by distinct accommodations, spaces and treatment accorded first-, second- and third-class passengers.

First class had a lounge modeled after a room at Versailles, a palm court, a Parisian cafe, an Arabian-style Turkish bath, a gymnasium, a squash court, 11 styles of staterooms, a lounge for maids and valets and a first-class kennel for the likes of the Astor Alredale, Kitty. A certain Billy Carter of Philadelphia needed space for 60 shirts, 15 pairs of shoes, two sets of tails, 24 polo sticks and his Renault motor car. The most exclusive suites cost \$4,350 for one-way passage — the equivalent of about \$55,000 today.

Second- and third-class one-way passages averaged a mere \$65 and \$35, respectively. Second-class passengers had spacious staterooms, handsome public rooms and their own promenade. Third-class passengers — most of them immigrants — had far better accommodations aboard the Titanic than such travelers had known before. There were airy and well-lighted public rooms and staterooms with several berths instead of dormitories.

All in all, the ship's company must have been rather content on their fifth night out. The sea was calm and the weather clear but bitingly cold. There had been warnings of icebergs in the area, but the ship steamed confidently ahead at 21.5 knots. High in the crow's nest under a star-encrusted sky, at just a bit before 11:40, the lookout suddenly rang the warning bell three times and reported to the bridge: "Iceberg right ahead." In half a minute, the "safest" and most beautiful ship afloat was doomed.

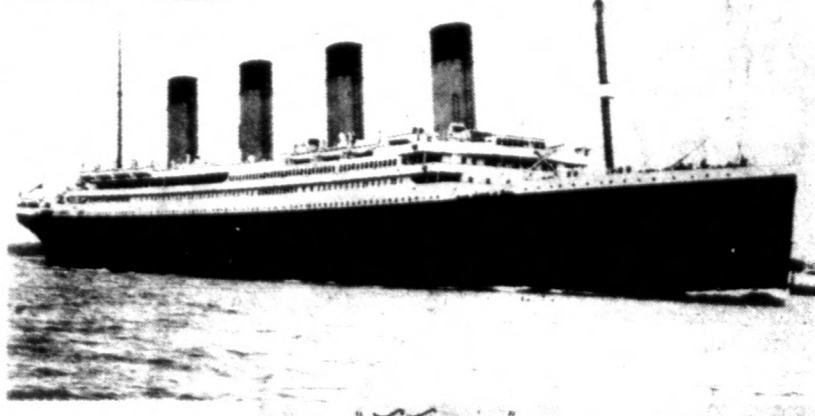
On her starboard side, about 12 feet above the keel, Titanic's underbelly was struck by a spur jutting from the iceberg's mass. Hard as an icy diamond, the projectile caused a wound that exposed the ship's "watertight" compartments to the onrush of the sea.

In the scant two hours and 40 minutes left to the Titanic and the 2,228 people aboard, there was never, according to accounts of survivors on deck in the last moments, any general panic. And some of the behavior was the stuff of legends.

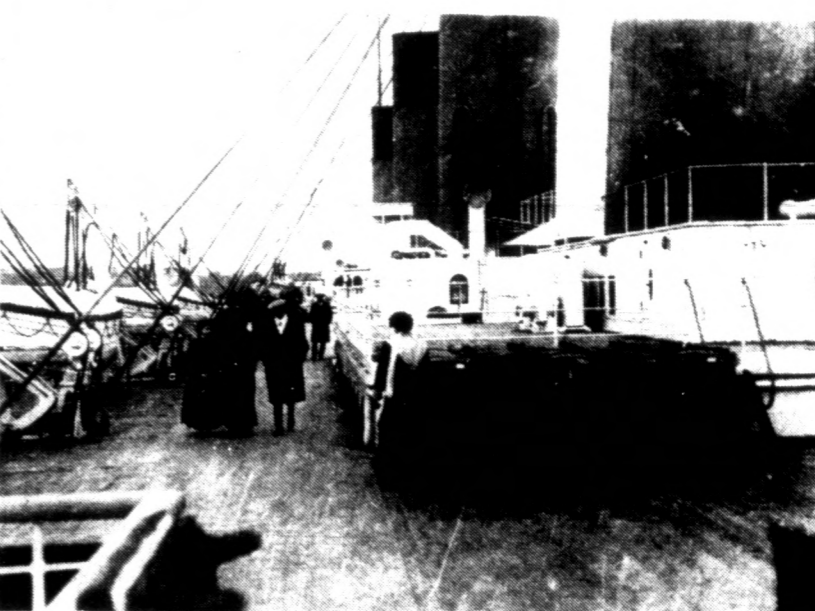
Mining tycoon Benjamin Guggenheim and his valet Victor Giglio dressed in evening clothes and prepared to go down like gentlemen. Archie Butt, President Taft's military aide, sat down to a last hand of cards with his cronies. Ida Straus refused to leave her husband Isidor, a Macy's partner, and the couple, on deck chairs, awaited the end. John Jacob Astor, one of America's richest men, politely asked to join his 19-year-old wife Madeleine, who was in "delicate condition," in the lifeboat. When refused, he kissed his wife and returned to the deck. The eight bandmen played ragtime and waltzes to cheer the passengers right to the last. All went down with the ship.

There was nobility and there was human frailty. The cry was "women and children first," but there was poor organization and inconsistent policy in loading the lifeboats. Of first- and second-class women and children, 94 percent were saved but only 42 percent of those in third class survived. Of the first- and second-class children, only little Lorraine Allison perished with her family, but 52 out of 79 third-class children died.

One who was saved was 10-month-old Frank (Filly) Aks, on his way with his mother to Norfolk, Va., to join his father in a new life.



Here, on April 10, 1912, the Titanic is about to leave Southampton, England on her maiden voyage to New York. Inset: Titanic's captain, Edward J. Smith and purser Herbert McElroy.



Second-class passengers stroll on the boat deck of the Titanic in this photograph taken at Queenstown, Ireland, April 11, 1912. On April 14, the luxury liner collided with an iceberg. On April 15, she sank.



A testament to the splendors of the doomed Titanic is this photo of the forward grand staircase. Undulating beneath a great glass dome, it provided a magnificent entrance to first-class quarters from the deck.



1,523 lives were lost when the "unsinkable" Titanic plunged to the bottom of the sea. Surviving the ordeal was this group of third-class passengers. Mrs. Leah Aks, second from left, holds baby Frank.

According to family legend, "a man grabbed me from my mother's arms and threw me into a lifeboat right into a woman's lap." Frank and his mother were reunited on board the Carpathia, the rescue ship that began picking up 706 survivors from lifeboats less than two hours after the Titanic sank.

Not so lucky was Marjorie Newell Robb, who today is the only surviving first-class passenger. Marjorie, then 23, and her sister

Madeleine lost their adored father. Arthur Newell and his girls were on a world tour. "In those days, it was an honor if your father took you for a Sunday walk," she recalls.

Now that the Titanic has been found in international waters, various groups here and abroad are planning expeditions to salvage artifacts, to produce a television special from 12,500 feet and to attempt raising and refloating the ship.

Dr. Robert Ballard, Woods Hole Oceanographic Institution scientist and explorer, led the U.S. team that originally found the Titanic with a remote video camera system. Last summer, he and team members explored the site in a three-man submersible called Alvin. In October of 1985, Ballard told a congressional committee: "In short, the great pyramids of the deep are now accessible to man. He can either plunder them like the grave robbers of Egypt or protect them for the countless generations which will follow ours."

In the months before the second Titanic expedition, Ballard and

(Cont'd on page 13)

GMC
A TRUCK YOU CAN LIVE WITH
LOCAL GMC TRADE-IN

1986 GMC *Safari, 7 passenger van, V-6, A/T, P.S., A.C. Less than 15,000 miles. Nice.

TRUCKS-TRAILERS BUSES, INC.
 U.S. 641 South
 753-1372

Homeplace Family Restaurant

14 Oz. T-Bone
 *Includes choice of Potato, Tossed Salad & French Bread
\$5.25
 *Good Thurs.-Sat. April 9th-11th

Fish ALL YOU CAN EAT!
Boneless Fish or \$4.75
 Catfish Steaks
 *Every Thurs., Fri. & Sat. Evening

1906 Coldwater Rd. 759-1864

Art buy would have pleased Yasuda boss

TOKYO (AP) — The par-simonious founder of the Yasuda Fire and Marine Insurance Co. would have been shocked but pleased by its \$39.85 million purchase of Vincent van Gogh's "Sunflowers," company officials said today.

Zenjro Yasuda, the company's founder, turned a small money-lending business into Japan's second-largest insurance company.

"He was frugal in everyday life, but at the same time he was very open-minded about contributing to

public things," said company official Kunihiko Sasamoto in an interview at the company's 43-story headquarters. "He would have been pleased."

The price tripled the previous auction record for a painting.

"I would like to stress the point that Yasuda purchased this not for an investment," Sasamoto said.

The company said "Sunflowers" will be sent on tour of major Japanese cities and displayed at the Yasuda-Kasai Museum in Tokyo.

Van Gogh's dazzling yellow pic-
ture of 15 sunflowers in a vase was sold on the 134th anniversary of the Dutch artist's birth. Yasuda bid by telephone at Christie's March 30 sale in London, and the auction house initially kept the buyer's identity secret.

Following worldwide speculation about the buyer, Yasuda gave permission for Christie's officials to disclose its identity.

Wealthy Japanese art collectors are exploiting the soaring value of the yen to buy up major Western art works at a rate that now outpaces nearly every other nation.

French General Gilbert Mortier Du Lafayette, after whom Fayette County was named and who so revered by this nation, was designated to command the special guard for protection of the royal Bourbon King's family. This county was also the residence of two-time Governor James Garrard, after whom Garrard County was named. Bourbon County was formed from Fayette County.

The statesman after whom Mason County was named was the author of the Bill of Rights and Constitution of the State of Virginia and these were followed closely by those penning our Federal Bill of Rights and Constitution. These papers were long attributed to Thomas Jefferson, but George Mason, "The best horseman in the Virginia Colony," was actually the author. Mason County was formed from Fayette County.

General William Woodford, after whom Woodford County was named, was a Revolutionary officer who had distinguished himself in the French and Indian War. As commander of the first brigade, he was in several actions and was wounded in the Battle of Brandywine. He was captured in 1780 during the siege of Charleston and was imprisoned in New York where he died at the age of 45. Woodford County was formed out of Fayette.

John Logan was one of early pioneers

John Logan, who was to become Kentucky's first Treasurer, was among the earliest and most distinguished of the bold pioneers who pushed forward into the howling wilderness of Virginia's district of Kentucky. Not even Indians gave permanent settlement to it, for it was used by tribes from all sides as a hunting ground.

John Logan lost his father at an early age and, along with his older brother, Benjamin, held a commanding form in those who early shaped the destiny of this then "baby" Commonwealth. In 1775, he and his brother Benjamin came to Kentucky County and met up with Boone, Henderson and others. They split paths and the Logans ended up in (later) Lincoln County where they established a fort. Lincoln County, as we reported last week, was to become, in 1780, one of the

first three counties (along with Jefferson and Fayette) of Virginia's district of Kentucky.

In 1781, Logan was appointed Lieutenant Colonel of the first regiment of militia organized in Lincoln County. He was also serving on Kentucky's district court at Harrodsburg, the county seat of Lincoln.

In 1785-86, the Virginia Legislature formed six more counties in the Kentucky district. These were Nelson, Mercer, Madison, Bourbon, Mason, and Woodford.

Nelson was named for Thomas Nelson, one of the signers of the Declaration of Independence and a Governor of Virginia. The county was formed from a part of Jefferson. Nelson commanded a regiment in the Revolutionary War and was later a brigadier general. He died four years after the formation of Nelson County, at the age of fifty.

Mercer County was formed from Lincoln County and was named for General Hugh Mercer of Virginia who, in 1755, served under Washington in the Indian War as a Captain. He was mortally wounded in the battle of Princeton while leading the American forces and died nine days later.

Madison County received its name from James Madison, termed by many historians as the "Father of our Constitution." He was very close to Washington having written his inaugural address. During Washington's administration, he broke with the President and Alexander Hamilton over the question of unlimited power for the Federal government, and played a major role in the formation of the Republican party. He was Secretary of State under President Jefferson and in 1808 was elected President. Madison County was formed from Lincoln County.

Bourbon County was named for the Bourbon line of monarchs of France. Louis XVI was King of France and France itself was on the threshold of revolution. The

French General Gilbert Mortier Du Lafayette, after whom Fayette County was named and who so revered by this nation, was designated to command the special guard for protection of the royal Bourbon King's family. This county was also the residence of two-time Governor James Garrard, after whom Garrard County was named. Bourbon County was formed from Fayette County.

The statesman after whom Mason County was named was the author of the Bill of Rights and Constitution of the State of Virginia and these were followed closely by those penning our Federal Bill of Rights and Constitution. These papers were long attributed to Thomas Jefferson, but George Mason, "The best horseman in the Virginia Colony," was actually the author. Mason County was formed from Fayette County.

General William Woodford, after whom Woodford County was named, was a Revolutionary officer who had distinguished himself in the French and Indian War. As commander of the first brigade, he was in several actions and was wounded in the Battle of Brandywine. He was captured in 1780 during the siege of Charleston and was imprisoned in New York where he died at the age of 45. Woodford County was formed out of Fayette.

Titanic...

(Cont'd from page 12)

other WHOI officials met with representatives of the Smithsonian Institution to discuss the historical significance of finding the Titanic and the implications of the rapidly developing new technology that did the job. William Withuhn, deputy chairman of the Department of Science and Technology of the Smithsonian's National Museum of American History, expressed the Smithsonian's support for a sanctuary principle.

"Physically having artifacts from the Titanic won't add to our knowledge of the ship," Withuhn says. "We are excited about the results of the Woods Hole expeditions, but we would not accept artifacts brought up by any group. We shouldn't forget that the Titanic's final resting place is also the final resting place of 1,523 people."

MEMORIES

By Ink Mendelsohn
Smithsonian News Service

Today, there are left a scant two dozen survivors of the 706 rescued when the Titanic sank the morning of April 15, 1912, after a deadly rendezvous with a giant iceberg in the North Atlantic, and 1,523 men, women and children joined her in legend. All of the people whose memories of that night are recorded here are gone now with the exception of Eva Hart. These recollections are excerpted from the archives of the Titanic Historical Society, which are housed and cared for in the library of the Philadelphia Maritime Museum.

Eva M. Hart, 7-year-old passenger: "The lifeboats were lowered, and my mother put into one, and then my father lifted me up to put me in too, and when I clung to him, he said quietly, 'Go with Mummy and stay close to her like a good girl.'"

Frank Goldsmith, 7-year-old passenger: "My dad reached down and patted me on the shoulder and said, 'So long, Frankie, I'll see you later.' He didn't and he may have known he wouldn't."

Edith Russell, passenger: "...she stood there erect, fully eleven to twelve storeys high, like a skyscraper fully lit..."

Walter Belford, baker: "I was very lucky. I went over the side with a Bottle of Scotch. I was 5 hours in the water...I kept taking a nip every now and then."

Lawrence Beesley, passenger: "...we gazed broadside on the Titanic from a short distance. She was absolutely still — indeed from the first it seemed as if the blow from the iceberg had taken all the courage out of her..."

Leo J. Hyland, steward: "The sea rose higher up into the ship and reached the various fuse boxes. So a section of the electric lights would be extinguished. The ship began to descend at a slightly quickening pace, and now a terrific crescendo splits the air, bursting boilers, bulkheads and heavy machinery crushing through the ship, the final plunge is any moment, and now above it all arises the terrified screams and agonizing cries of those left behind, as with a spurt the Titanic's stern dives under the sea, in a very few moments all was silent and stilled."

Maud Slocombe, masseuse: "...a night to forget."

"The recent tax changes are the most sweeping in history. This year put H&R Block on your side." — Henry Block

H&R Block's trained tax preparers understand the new tax laws. We'll answer your questions and find you the biggest refund you're entitled to. This year get back everything you've got coming.

H&R BLOCK
THE INCOME TAX PEOPLE

WHERE MORE AMERICANS FIND A BIGGER REFUND.
Dixieland Shopping Center
Open 9 a.m.-6 p.m. Weekdays, 9-5 Sat.
Phone 753-9204
Master Card & Visa Accepted At Most Area Locations.
Appointments Available

Hog market report listed

Federal State Market News Service April 9, 1987
Kentucky Purchase Area Hog Market Report
Includes 4 Buying Stations
Receipts: Act. 849 Est. 700 Barrows & Gilts 1.25 to 1.50 lower. Sows steady 1.00 Higher.

US 1-2 230-250 lbs.	\$61.35-51.75
US 1-3 250-270 lbs.	\$60.35-51.35
US 2-3 230-250 lbs.	\$50.75-51.35
US 3-4 250-270 lbs.	\$49.75-50.75
Sows	
US 1-2 270-300 lbs.	\$41.00-43.00
US 1-3 300-450 lbs.	\$41.00-42.50
US 1-3 450-500 lbs.	\$43.50-45.00
US 1-3 500-600 lbs.	\$45.00-48.00
US 2-3 300-500 lbs.	\$46.00-47.00
Boars \$36.00-40.00	

REIDLAND WEST PADUCAH
CLOTHING CO. MEN'S STORE

MEN'S WEAR

- Jams
- Tank Tops
- Pull-Over Shirts
- Golf Slacks
- Swimsuits
- Jogging Wear

SPORT COATS Plaids & Silks

SPECIAL RACK OF NEW STONEMASH & COOL WASH JEANS **\$13.95**

LARGEST SELECTION OF BIG & TALL IN THE AREA

LADIES WEAR

NEW SHIPMENT Ladies' Slacks & 2 Pc. Swimsuits

All Fall & Winter Merchandise 1/2 Price Plus \$1.00

Br. & Misses' Jeans 40% OFF \$14.95

Ladies' Jeans Little Girls' Lee Jeans 25% OFF

Your Individual Horoscope

Frances Drake

FOR FRIDAY, APRIL 10, 1987

SCORPIO (Oct. 23 to Nov. 21)
Absent-minded types should be careful not to misplace something of value. Social gatherings are accented, but you could burn the candle at both ends tonight.

SAGITTARIUS (Nov. 22 to Dec. 21)
Don't be so cavalier with a family member. Treat others with respect. Work from behind the scenes for success in your career. Avoid direct confrontations.

CAPRICORN (Dec. 22 to Jan. 19)
Impatience could undermine plans today. Get yourself centered through meditation or deep breathing. Dealings with friends at a distance are favored.

AQUARIUS (Jan. 20 to Feb. 18)
Make a point to save rather than spend today. A career matter is brought to completion. Be diplomatic with an eccentric acquaintance.

PISCES (Feb. 19 to Mar. 20)
A higher-up catches you off guard today. Home life is hectic before noon, but social life finds you on top of the world. Partnership matters are favored.

IF BORN TODAY, you have good business sense and are always willing to take a chance. You're liable to experiment before settling on a career. In looking out for number one, be careful that you don't simply settle for what chance throws your way. Expediency works against you, though doing your own thing brings you recognition and original accomplishments. Acting, brokering and writing are liable to appeal to you.

Pine Ridge Steak House
Hwy. 79 Dover, TN
615-232-6654

Special (with this ad) \$2.00 off

Prime Rib

Or Order From Our Menu

Prime Rib	Seafood Platter	Rib Eye
Fried Shrimp	New York Strip	Boiled Shrimp
Filet Mignon	Stuffed Flounder	Ground Sirloin
Catfish Filet	Steak & Lobster	Lobster Tails
	Chicken Cordon Bleu	

Open Wed.-Thurs.-Fri.-Sat. 5-9
Sunday 1-8

COUPON — CLIP THIS AD

SEARS Catalog Bel-Air Shopping Center Murray, Ky.

Lawn & Garden SHOW & SALE

Most items at reduced prices

Come enjoy the Lawn and Garden SHOW & SALE demonstrations

SAVE NOW!

SAVE \$300

Sears Craftsman 11-HP lawn tractor
Powerful tractor makes mowing large lawns a breeze! 4-speed transaxle drive system for superb control, and electric starter for quick and easy start-up. 36-inch mowing deck with side discharge. **\$999.99** LG25427

SAVE \$300 12-HP Craftsman lawn tractor LG25424 Our lowest price ever! \$1169.99	SAVE \$75 4.0-HP power-propelled mower LG3725 22" cut, catcher incl. \$294.99	SAVE \$20 Craftsman 3.5-HP 20-inch mower LG38011 "HP" means reserve power. \$149.99	LOW PRICE Craftsman 5-HP chain drive tiller LG29814 \$289.99
SAVE \$50 Gas grill with FREE cover, rotisserie LG10562 \$179.99	VALUE 26.2 cc gas Weedwacker trimmer LG79812 \$98.99	VALUE Craftsman 4.5 cu. ft. wheelbarrow LG87823 \$38.88	1/2 PRICE 60-ft. garden hose or hose reel LG69495 18.99 Reg. \$37.99 LG69575 17.49

Gardening Values

Round point shovel (#8270) Reg. \$9.99	Sale \$7.49
Leaf rake (#8390) Reg. \$9.99	\$7.49
Garden hoe (#8393) Reg. \$9.99	\$7.49
Bow rake (#8389) Reg. \$12.99	\$9.49
Drain spade (#8314) Reg. \$12.99	\$9.49
Long handled shovel (#8275) Reg. \$9.99	\$7.49

More "LG" Craftsman Values

3 gal. plastic sprayer (#1573) Special Purchase, while quantities last	\$16.88
A special purchase, though not reduced, is an exceptional value!	
Broadcast spreader (#1987) Reg. \$27.99	\$19.99
Brushwacker (#9674) Reg. \$369.99	\$294.99
10 cu. ft. blower (#24354) Reg. \$149.99	\$117.99
Electric weed whacker trimmer (#9604) Reg. \$57.99	\$49.99
45 gal. motor trash can (#1262) Reg. \$31.99	\$15.88
38" lawn sweeper (#24338) Reg. \$349.99	\$299.99

Mowers, tractor, gas grill and tiller available for immediate pick-up in most catalog stores
Prices are catalog prices now available in our "LG" catalog. Shipping, installation extra
No money down on your SearsCharge Account

Store Hours: Monday-Saturday 9-5:30

There's more for your life at **SEARS**

©Sears, Roebuck and Co., 1987 Satisfaction guaranteed or your money back

ARTS & ENTERTAINMENT

The Murray Ledger & Times

Gospel singing group to perform at MSU

"Dust and Ashes," a gospel singing group, will perform April 12 at 7 p.m. at the Curris Center Theater at Murray State University. The show is sponsored by the Wesley Foundation United Methodist Ministry at MSU.

"Dust and Ashes," comprised of Tom Page, Mary Lou Troutman and Lee Domann, began its music ministry as early as the mid 1960s. For the last 20 years, they have continued to write and perform music that reveals glimpses of God's kingdom as they understand it.

Believing that all of life is sacred, "Dust and Ashes" has built a repertoire with a wide range of style and content. The trio performs songs that are based on personal experience and scripture. Songs will also be performed

that paint pictures of how our world was created by God to be.

The group has recorded six albums and performed in virtually all arenas. Using guitars, bass, and keyboard, the members have taken their music to colleges and universities, local churches, national church events, radio and television — even the stage of the Grand Ole Opry House.

"Dust and Ashes" sings about Christian faith — both the importance of a life of personal devotion to God and a life involved in helping bring justice and peace to the earth.

After the music is over, the group believes its most important work begins, building a loving relationship among people. For that reason, the trio will remain at the theater after the show to talk



DUST AND ASHES from left to right are Lee Domann, Tom Page, and Mary Lou Troutman. The gospel singing group will perform April 12 at the Curris Center Theater at Murray State University at 7 p.m.

with the audience. A \$2 admission fee is required. For further information, contact

the Wesley Foundation Campus Minister Dr. Ben F. Boone at 753-9859.

Eleven-year-old is soloist with Paducah Symphony

Scott Conklin, an eleven year old sixth grader at the Murray Middle School, collects baseball cards and idolizes Pete Rose. Even though baseball season is just getting started, Scott hasn't let himself think too much about baseball this week because he is busy putting the finishing touches on the violin concerto he will perform with the Paducah Symphony Orchestra on Saturday, April 18 at Symphony Hall in Paducah.

Scott is no stranger to concert hall stages. He has been a soloist with the Louisville Orchestra on one of its subscription concerts usually reserved for the likes of Itzhak Perlman. He has been a guest artist with the Nashville Symphony on a Pied Piper subscription concert. In 1985 he became the youngest person ever to perform with a Murray State University ensemble when he debuted with the Chamber Orchestra. Last summer he was one of seventeen soloists, of eight hundred participants, to be selected to play on an honors recital at a national Suzuki conference in Wisconsin. In May, Scott is engaged to play with the Evansville Philharmonic for 8,000 youngsters at a Tri-State Youth Concert. This summer, Scott will be going to Berlin for the International Suzuki Festival. He has been studying violin for only six years. His teacher is Carol Dallinger of the University of Evansville.

The concert, with conductor Jordan Tang on the podium, will



Eleven-year-old Scott Conklin of Murray, will perform with the Paducah Symphony on April 18.

feature light, familiar music such as the Blue Danube Waltz, Russian Sailor's Dance, Hoedown from "Rodeo," and the lively "Capriccio Espagnol." Besides Scott Conklin's performance of a movement of the Haydn Violin Concerto No. 2, a "Mystery Maestro" will conduct one selection yet to be announced. The audience has been casting ballots all season to give a member of the audience the once-in-a-lifetime opportunity to conduct a symphony orchestra.

Tickets for the concert are \$7.50 for adults and \$5.00 for students. Reservations may be made by phoning the Symphony box office, 502-444-0065, or residents of Murray can call Karen Welch, at 762-4359.

Murray State offers new family entertainment show

Murray State University will present a new show this summer, three nights a week in The Stables of the Curris Center on the MSU

campus. "Racer Cabaret" will feature singers, dancers and actors who will present a program of

family entertainment. It will begin the week of June 15 and continue through the week of August 3.

According to James I. Schempp, the director of the cabaret, the show will be designed to appeal to

visitors to the Boy Scout Museum as well as other visitors and residents of the Purchase Area.

"We hope to attract a wide variety of people who want a pleasant alternative to television on a summer's evening," said Schempp.

Auditions for performers in Racer Cabaret will be announced in the near future. Schempp said

that there would be a need for eight actors who can sing and dance. All performers will be paid for the eight weeks the show is in production and the two weeks of rehearsal. Musical direction for Racer Cabaret will be under the supervision of Joe Jackson.

For further information about Racer Cabaret, contact Schempp at the MSU Theatre at 762-4636.

University pianist performs at Lincoln and Carnegie

Pianist Dr. Stephen B. Brown, associate professor of music at Murray State University, recently returned from concert tours that included performances at Carnegie Hall and the Lincoln Center in New York.

Besides appearances in New York, Brown, who is in his fifth year with the MSU faculty, also performed on two campuses in Massachusetts and two campuses in Louisiana.

In collaboration with composer-violinist Dinos Constantinides, Brown performed in the Bruno Walter Auditorium at the Lincoln

Center and in the Weill Recital Hall at Carnegie Hall. While in New York City, he also performed two pieces as a solo pianist at the 1987 national convention of Music Teachers National Association.

The tour in the East also included performances by Brown and Constantinides at Long Island University, Tufts University in Medford, Mass., and Holy Cross College in Worcester, Mass.

A reviewer in Worcester wrote: "Brown showed himself to be not only an excellent accompanist, but a fine soloist, with a clean, fastidious touch, and reserves of brilliance and vitality when they

are needed."

Brown performed at Tulane University in New Orleans in the world premier of "Reflections IV," an ensemble work for soprano, flute, harp and piano written by Constantinides and commissioned by Evelyn Petros, a soprano who made her Metropolitan Opera debut in 1986.

Petros was also accompanied by Brown at Tulane in the performance of two song cycles written by Constantinides. The Tulane performance was videotaped by the Hellenic Arts Society for national public television and is be-

ing distributed nationally.

His tour on Louisiana also took Brown to Louisiana State University in Baton Rouge where he performed on that campus and made a record featuring works by Constantinides, including "Theme and Variations for Solo Piano."

Brown, who teaches piano, organ, accompanying and counterpoint at MSU, serves as piano chairman for the Kentucky Music Teachers Association. He has earned degrees at Tufts University, Naples (Italy) Conservatory, Yale University and Ohio State University.

Executive-Inn Riverfront
Executive Room 433-8900
Toll Free 1-800-592-3481
Paducah, Ky.

Dan Seals April 11 - 9 & 11 p.m. Show Only \$10.50 Dinner & Show \$21.00	Waylon Jennings April 16 - 9 & 11 p.m. Show Only \$15.25 Dinner & Show \$26.25
Restless Heart April 25 - 9 & 11 p.m. Show Only \$12.50 Dinner & Show \$23.10	Earl Thomas Conley May 2 - 9 & 11 p.m. Show Only \$10.50 Dinner & Show \$21.00

Call for details on weekends. Special For Rooms
Stanley Walker Niteily • Timeout • No Cover

for Easter
There's a place for unique gifts for every Easter basket.
HOLLAND DRUG
Baskets
25% off
109 S. 4th St. 753-1462



President's Cabinet

James A. Schwartz, FIC
State Manager
Woodmen Bldg., #101C
Third & Maple
Murray, KY 42071
Call 753-4382

MEET JAMES A. SCHWARTZ, FIC ...SENIOR EXECUTIVE CLUB

During the past year, our area has benefited from his expert management and performance in providing and administering life insurance protection. He is being honored nationally through his induction into the Senior Executive Club, the ultimate recognition in Woodmen Field management. Such an honor comes only with exceptional management and dedication to serving the life insurance needs of Woodmen members in this area. Contact your local Woodmen of the World representative. He can help you determine your life insurance needs.

WOODMEN OF THE WORLD LIFE INSURANCE SOCIETY

"Angel Street" opens in park

The Playhouse in the Park is now preparing for the suspense drama "Angel Street." The play tells the story of a man, who under the guise of kindness, is slowly convincing his wife that she is insane. The entire action of the play takes place in the couple's home on Angel Street in 1880s London.

The cast members are: Kathryn Ballard Valentine as Mrs. Manningham, Skip Hamra as Mr. Manningham, Kathlene Garland as Nancy, Sharon Lodgson as Elizabeth, David Lauby as Rough, and Steven Oates and David Weatherly as the Policemen.

Director Liz Bussey leads the production crew including: fight choreographer Skip Hamra, set designer Steven Oates, costume designer Denise Schmitt, lighting designer Mark Bushart and stage manager Vince Medlock.

"Angel Street" will run April 17-19 and 24-26 at the Playhouse in the Park. Friday and Saturday performances begin at 8 p.m., Sunday performances at 2 p.m. Anyone wishing to make reservations can call the Playhouse at 759-1752.



"ANGEL STREET" will run at Playhouse in the Park April 17-19 and 24-26. Pictured, Skip Hamra, as Mr. Manningham, is apprehended by Steve Oates and David Lauby as Sargeant Rough. Mrs. Manningham, played by Kathryn Ballard Valentine looks on.

Skidmore to display sculpture at gallery

Sculpture and functional works by BFA candidate Brent H. Skidmore will be on display in the Up-

per Level of the Clara M. Eagle Gallery in the Price Doyle Fine Arts Building at Murray State

University through April 12. Skidmore, a Louisville native, is a BFA Degree Candidate. He has had his works shown in over 10 regional shows and one national show. He also received the Joe H. Curris Award in March of this year. He won the Jr. review Works-In-Progress in November of 1985.

Skidmore's show consists of sculptural and functional pieces, although some pieces become functional — the main concern is always sculptural. Bright colors, rich textures, and sharp lines opposed to the organic quality of some pieces is his major concern.

The gallery is open 7:30-9:00 p.m., Monday through Friday, 10:00 a.m.-4:00 p.m., Saturday, and 1:00-4:00 p.m. on Sunday. Admission is free. For further information, contact the gallery at 502-762-3052.

Read the
want ads daily

1987 STUDENT ART SHOW

AWARDS CEREMONY AND OPENING RECEPTION
Friday, April 17, 7:00 p.m.
The Clara M. Eagle Gallery
fourth floor, Price Doyle Fine Arts Center

PROGRAM
7:00 p.m. Reception opens
7:30 p.m. Opening Remarks and Awards Ceremony
8:00 p.m. Drawing for Winner of Moped
8:15 p.m. Reception for the Artists



Murray police sergeant Larry Elkins recently spoke to an attentive audience at The Apple Tree School about talking to strangers and a police officer's role. The visit was in recognition of Law Enforcement Week sponsored by the Optimist Club. A spokesman for the Murray Optimist Club, David Rogers, said the visit was mainly to familiarize the children with police officers and to let them know they are their friends.



Guardsmen patrol after floodings

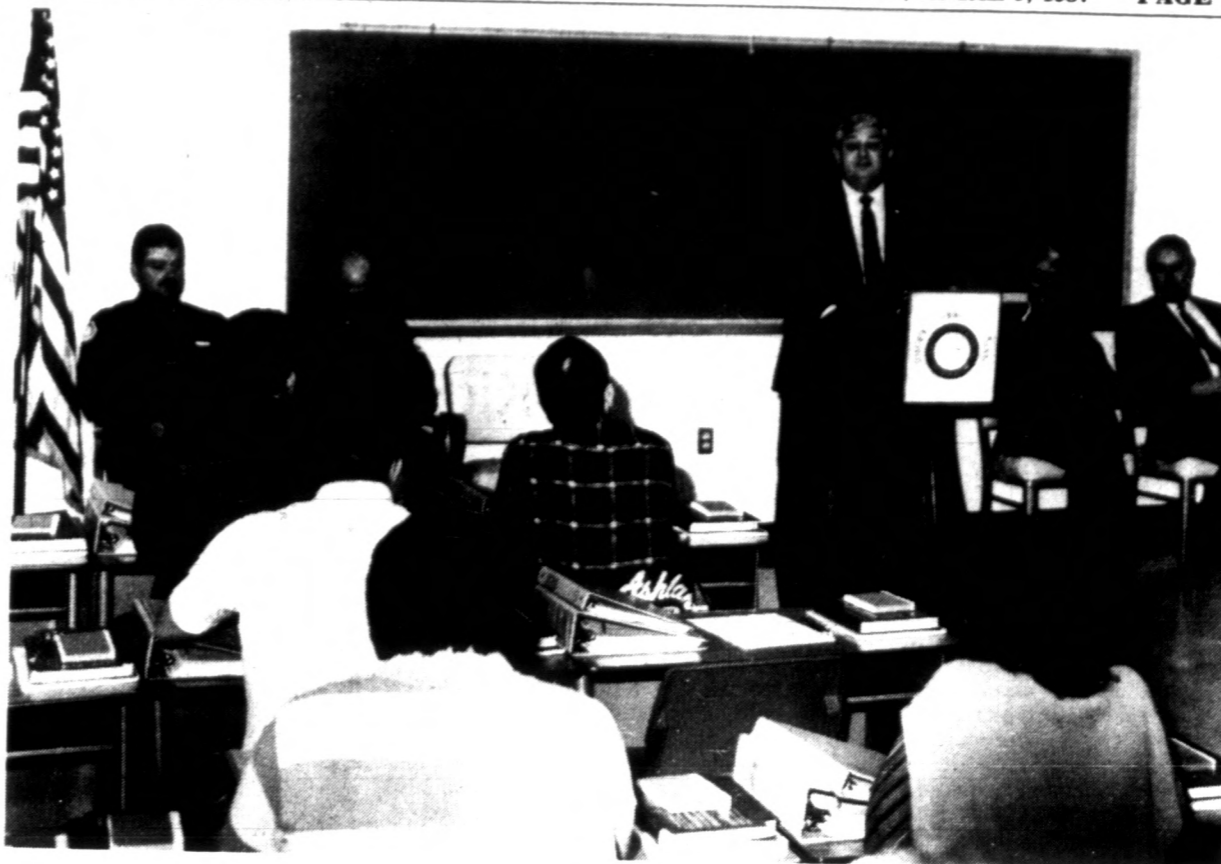
By the Associated Press
National Guardsmen helped patrol against looting today in a swamped Massachusetts town, and officials in the Northeast estimated that nearly a week of flooding had caused at least \$110 million damage.

Amtrak on Wednesday suspended rail service between Springfield, Mass., and Montreal because of speed reductions and backups forced by flooding that forced more than 4,500 people from their homes at one time or another since Friday.

Scores of roads have been closed throughout the Northeast because of the torrential rains and floods. Damage in Massachusetts was estimated at more than \$50 million, and more than \$60 million in Maine.

The National Guard was called in Wednesday night to help patrol Lawrence, Mass., where residents evacuated from an area a quarter-mile in diameter were worried about looters.

"There's been some sporadic break-ins ... and we're just trying to contain it," said police Lt. Greg Panagiotakos. "We had one arrest Wednesday night."



Edwin E. Miller, deputy secretary of the Kentucky Justice Cabinet and commissioner of the Kentucky Department of Criminal Justice Training, backed by members of his staff, welcomes Sheriff's Basic Training Class number one to the training facilities in Richmond recently. The 29 sheriffs or deputy sheriffs come from as far west as Kentucky's Marshall County to Pike County in the east. They will receive 400 hours of training over the next 10 weeks. The department has been training law enforcement officers since 1974, but this class is the first designed specifically for sheriffs.

OBITUARIES

Parker Samuel Carter

Parker Samuel Carter, 72, of Puryear, Tenn., died Tuesday at Baptist Hospital, Nashville, Tenn. A retired welder, he was a 40-year pipe fitter of A.F.O.L. Local 553 Chapter. He was a charter member of Puryear Lions Club.

Born July 12, 1913, in Elkton, Ky., he was the son of the late Birt Carter and Mary Parker Carter.

He is survived by his wife, Mrs. Rebecca Childers Carter, to whom he was married on Dec. 26, 1938; two daughters, Mrs. Jimmy (Peggy Jane) Nichols and Mrs. L.E. (Linda Lou) Clifford, Puryear; two sons, William P. Carter, Fayetteville, N.C., and John Earl Carter, Raeford, N.C.;

seven grandchildren; one great-grandchild.

Also surviving are three sisters, Mrs. Birdie Andrews, Dover, Tenn., Mrs. Blanche Jordan, Smyrna, Tenn., and Mrs. Jane Tift, Louisiana; two brothers, Roy A. Carter, Nashville, and Birt Carter, Gallatin, Tenn.

The funeral will be Saturday at 10 a.m. in LeDon Chapel of Ridgeway Morticians, Paris, Tenn. The Rev. Joe Walker will officiate.

Pallbearers will be Aubrey Cox, Bill Culley, Elvis McLain, Bill Smith, Bill Holland and Vibrant Sturdivant. Burial will follow in Puryear City Cemetery.

Friends may call at the funeral home.

Mrs. Cora Eunice Shekell

Services for Mrs. Cora Eunice Shekell will be Friday at 2 p.m. in the chapel of Blalock-Coleman Funeral Home.

The Rev. David Brasher will officiate. Music will be by the choir of Elm Grove Baptist Church where she was a member.

Pallbearers will be Mike Todd, Steve Todd, Randy Shekell, Jim Beavers, Larry Shekell and Johnny Rose, all grandsons.

Burial will follow in Elm Grove Cemetery.

Friends may call from 5 to 9 p.m. today (Thursday) and from 8

a.m. to the funeral home on Friday at the funeral home.

Mrs. Shekell, 93, died Wednesday at 9:45 a.m. at Murray-Calloway County Hospital. Her husband, Harry Shekell, and two sons, Aubrey Shekell and James Shekell, preceded her in death.

Survivors are one daughter, Mrs. Calvin (Melba) Todd, Murray; four sons, Clint Shekell, Rt. 5, Murray, Freeman Shekell, Berkley, Mich., and John Shekell and Joseph Shekell, Murray; 13 grandchildren; 10 great-grandchildren.

Researchers find similarities in AIDS-like virus in monkeys

LONDON (AP) — U.S. cancer researchers say they have found a remarkable similarity between a virus prevalent in humans in West Africa and a virus that causes an AIDS-like disease in monkeys, according to a study published today.

Researchers at the Department of Cancer Biology of Harvard's School of Public Health said they may have discovered an AIDS-related virus capable of infecting both humans and monkeys.

Their study was published by the British scientific journal Nature.

Alternatively, they said, the findings suggest the possibility that the virus designated HTLV-4 and identified as found in humans may actually have been a specimen of monkey virus that somehow contaminated laboratory materials.

The scientists said HTLV-4 is

prevalent among people in West Africa but is seldom, if ever, associated with acquired immune deficiency syndrome.

But they said considerable evidence suggests the virus is more closely related to viruses found in three species of monkey than it is to HIV-1, the virus that causes AIDS in humans.

MEDICARE SUPPLEMENT

Very Competitive Rates.
Covers Prescription Drugs & Excess Doctor Charges
Medicare Won't Pay.
BENNETT & ASSOCIATES

753-7273
Underwritten by:
Golden Rule Insurance
"A" Rated (Excellent)

UNEMPLOYED?

55 YEARS OLD OR OLDER?
FREE JOB FINDING HELP
WHAT DO YOU GET?

- Job Seeking Skills
- Job Leads
- Training to Learn a New Skill or Update an Existing Skill

WHO IS ELIGIBLE?

• Residents of Ballard, Calloway, Carlisle, Fulton, Graves, Hickman, Marshall, and McCracken Counties who are 55 years old or older.

INTERESTED?

Call the Local Senior Citizen Center, 753-0929

This project funded by the Job Training Partnership Act, West Kentucky Private Industry Council, and the Purchase Area Development District.



Governor Martha Layne Collins introduced Champion, the new mascot for the Bluegrass State Games, at a news conference recently at the Kentucky Horse Park. The Governor announced the third annual games finals will be held in Lexington, July 31 thru August 2, 1987.

HILLIARD LYONS

Stock Market

Prices as of 10 a.m.	
Industrial Average	-14.77
Previous Close	2372.16
Air Products	47 1/4 - 1/4
A.T.C.-Class A	24 1/4 B 24 1/4 A
AT&T	23 3/4 - 1/4
Briggs & Stratton	36 1/2 unc
Chrysler	56 1/2 - 3/4
CSX Corp	33 1/4 - 1/4
Dean Foods	30 1/4 - 1/4
Dollar Gen. Store	10 B 10 1/2 A
Exxon	88 - 1/2
Ford	87 1/4 - 1 1/2
G.A.F.	49 1/2 - 3/4
General Motors	83 1/2 - 1/4
GenCorp, Inc.	118 1/4 - 1/4
Goodrich	54 1/2 - 3/4
Goodyear	60 1/4 + 5/8
I.B.M.	144 3/4 - 2 1/2
Ingersoll Rand	78 1/4 - 3/8
Jerrico	23 1/4 B 23 1/4 A
Kmart	63 1/2 - 3/4
Kroger	34 1/2 - 5/8
JCPenney	101 1/2 - 3/4
Penwalt	65 1/4 - 1/4
Quaker Oats	47 - 5/8
Sears	54 1/4 - 3/4
Texaco	33 3/4 - 3/8
Time Inc.	90 1/2 unc
U.S. Tobacco	29 1/2 + 1 1/4
Wal-Mart	58 1/2 + 3/4
Wendy's	11 1/2 - 1/4
C.E.F. Field	5.48

414 MAIN STREET MURRAY, KENTUCKY 753-3366

BETTY BOSTON PAT GOSSUM JACK UDDBERG

Dwain Taylor Chevrolet, Inc.

GM QUALITY SERVICE PARTS
641 South Murray 753-2617
CHEVY DEALER



1985 Nissan 200 SX
4-cyl. 5 Speed, P.W., A.L., Tilt, Cruise, R.W. Defogger.
\$8,900.00

WOODMEN OF THE WORLD LIFE INSURANCE SOCIETY

MYERS

LUMBER OF MURRAY, INC.
500 S. 4th St. 753-6450
Open: Mon-Fri 7-5 Sat. 8-12
Sale Ends Monday

"SPECIALS - OF - THE - WEEK"

ROOF SHINGLES
Lasting Beauty For Your Home Available In A Variety Of Colors
\$1787 Sq

Rounded Edge Pressure Treated 2'X6' Decking
Pressure Treated 2'X8' Lattice Panel
\$489

Metal Insulated Door Unit 3' X 6'
\$99.99 each

6' Picnic Table
\$64.99
(Additional charge for assembly)

Concrete Mix
80 lb. bag
\$1.99

Jumbo 8' Length Landscape Timbers
\$2.99 each

Dear Abby



Weddings Run Better If Kids Are Neither Seen nor Heard

By Abigail Van Buren
© 1987 by Universal Press Syndicate

DEAR ABBY: May I share some of my personal experiences concerning children in weddings?

A little flower girl (about 2 1/2 years of age) announced loudly, while she was at the altar with the bride and groom, "I have to make a wee wee." She wasn't lying; she made a puddle during the ceremony.

The ring bearer, an attractive little boy of 3, took the pillow and kept throwing it up in the air and catching it (sometimes) during the entire service. He was seated between his parents and neither one attempted to discipline him. Frequently, during the procession, the kids do not make it up the aisle, but wander instead to an aunt or uncle on the way there, and cannot be prodded to go where they went during rehearsal.

Kids crying in the church (or synagogue, or whatever) are an invasion to the sacred ceremony, and well do I remember the words of a minister, "A baby who cries in church is like a New Year's resolution — it ought to be carried out."

A bolder colleague once said, while a baby persisted in crying during the service: "Will that mother with the crying baby please give her a bust in the mouth?"

Now, I've said it. Use it as you deem advisable. It is all true.

THE REV. PAUL E. FARRELL, ONTARIO, CALIF.

DEAR MR. FARRELL: I believe you, and so will everyone else who reads this. But don't expect your testimony to discourage brides and grooms from including children in their weddings. They look so adorable, they say it's worth the gamble.

DEAR ABBY: Please settle a dispute. Our household is at war

over this. In the game of poker, if one player has three 6s and two 10s, and the other player has three 7s and two 5s, who wins?

The male family members say the one holding the three 6s and two 10s wins. The women in the house say the one holding three 7s and two 5s wins. Thanks from ...

A FULL HOUSE IN GLOBE, ARIZ.

DEAR FULL: According to our poker expert, Jack Hill in the mail room, three 7s and two 5s beat three 6s and two 10s. So the "Queens" (women) win over the "Kings" (men).

DEAR ABBY: I'm writing concerning the wife who was distraught over her husband's continuing contact with his former girlfriend of many years ago. She had written a friendly letter on her Christmas card — and he responded in kind.

My husband and his first girlfriend corresponded with each other until they were somewhat disabled by old age. In the later years, he couldn't hear, so I telephoned her for him. She couldn't write, so her daughter wrote to him for her. As my husband was dying, he asked me to call her to say farewell, and to get her final comment.

I did as he asked, and her final comment was: "Tell him I love him in the same old way."

THEY WERE BOTH 91.

(To get Abby's booklet, "How to Be Popular: You're Never Too Young or Too Old," send a check or money order for \$2.50 and a long, stamped (39 cents), self-addressed envelope to: Dear Abby, Popularity, P.O. Box 447, Mount Morris, Ill. 61054.)

Mikhail Gorbachev visits Czechoslovakia; cold cured

PRAGUE, Czechoslovakia (AP) — Soviet leader Mikhail Gorbachev, whose reforms at home have been viewed unenthusiastically by Prague's conservative leaders, arrived today for a visit postponed three days by a reported cold.

Gorbachev and his wife, Raisa, were met at Prague airport by President Gustav Husak, who also heads the nation's Communist Party, Premier Lubomir Strougal and chief party ideologist Vasil Blazek.

State television, which covered the arrival, quoted Vadim Zagladin, deputy head of the Soviet Central Committee's International Department, as saying Gorbachev will make an important statement on international issues while in Czechoslovakia.

It did not elaborate, but appeared to be referring to rumors the Kremlin leader would announce a partial withdrawal of the 80,000 Soviet troops stationed in Czechoslovakia or make a new arms reduction offer.

The trip, Gorbachev's first extended visit to Czechoslovakia since becoming Soviet leader two years ago, may dash the hopes of those Czechoslovaks who want their own leaders to adopt some of his recent social, economic and political reforms.

Soviet officials said Wednesday Gorbachev would not arrive Monday as planned because of a "slight cold."

that Gorbachev would not put public pressure on 74-year-old Husak to copy Moscow's reforms.

Expectations of change remained high in this beautiful medieval city, decked out in honor of the visit with thousands of Soviet and Czechoslovak flags and portraits of Gorbachev and Husak.

Gorbachev's schedule today includes several hours of talks with Husak and an official dinner in the resplendent castle that dominates the west bank of the Vltava river.

Officials announced Sunday that Gorbachev would not arrive Monday as planned because of a "slight cold."

The report touched off a flurry of speculation about the reasons for the delay, which Soviet Foreign Ministry spokesman Genady Gerasimov sought to squash Wednesday.

Asked by reporters if Gorbachev would pressure Prague to improve its economy, Gerasimov replied, "I don't think we can tell anybody what to do. We are pretty busy doing things ourselves."



Amanda Sims, a student at Calloway County High School placed third in the Music/Vocal competition of the second annual Sweet 16 Academic Showcase. She received a \$600 scholarship for any Kentucky college or institution of higher learning. She is shown here receiving the scholarship from Lexington Mayor Scotty Baesler at the awards luncheon at the Marriott Resort in Lexington.

Classifieds

2. Notice

WICKER BASKETS
How would you like an opportunity with Mostly Baskets to sell wicker furniture, baskets, and wall decor through home party plan? Join us now for an exciting and profitable spring season. For information about selling or having a party call Pat, 1-800-521-1228.

2. Notice

THE Green Plain Cemetery perpetual care funds in need of additional money. Due to the present low interest earnings, if you wish to donate money or purchase a plot contact one of the following trustees: Walter Steely 753-0967; Rob Enoch 489-2340; Buddy White 492-8419; or Ray Dunn 753-0463.

NEED someone to break and disc 100x120 lot in Dexter. Call 437-4461.

MONTHLY bookkeeping service. References available. Call 753-0043.

2. Notice

SEEDS
Large Variety of Seed Corn
•Garst
•Dekalb
•Pioneer
•Funks/ring-a-round
•Northrup King
•And More in Stock
AG BROKERS INC.
Industrial Rd. 753-4533

MAKE someone smile with balloons & a big cookie. My Favorites. Open Tues. Sat. 9:30-5:00. 759-1319.

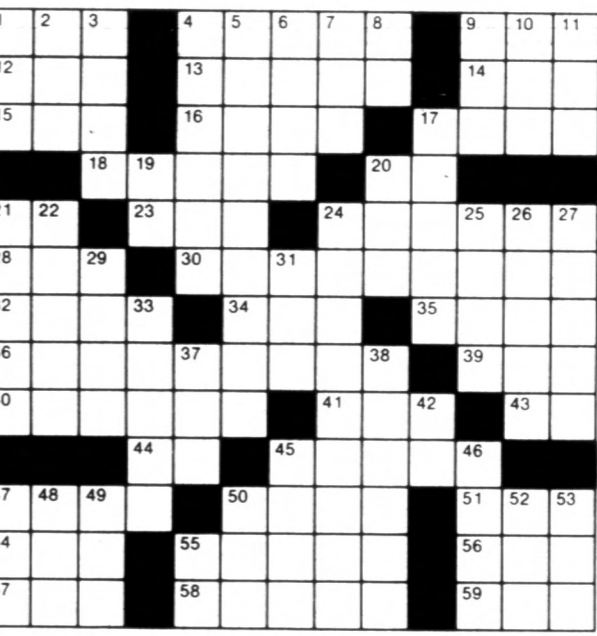
ACROSS

- 1 High mountain
- 4 Make suitable
- 9 Bspatter
- 12 Hawaiian wreath
- 13 Former heavyweight champ
- 14 Fruit drink
- 15 Marsh
- 16 Skin ailment
- 17 Hindu peasant
- 18 Walk pompously
- 20 South America: abbr.
- 21 Bromine symbol
- 23 Goal
- 24 Beg
- 28 Painting
- 30 Surely
- 32 First man
- 34 Negative fashion house
- 35 Follows sixteen
- 39 Owing
- 40 Barbers
- 41 Bend the head
- 43 Dysprosium symbol
- 44 Near
- 45 Backless seat
- 47 Toll
- 50 Egyptian sacred bull
- 51 Actress Arden
- 54 Chapeau
- 55 Century plant
- 56 Insect egg
- 57 Anger
- 58 Apportions
- 59 Light meal

Answer to Previous Puzzle

P	I	N	T	O	P	S	G	O	D
A	R	A	A	L	I	T	N	E	A
R	E	G	A	R	D	E	M	U	T
G	I	N	S	L	Y	A	S	P	
S	H	E	D	A	T	E	T	N	
L	I	D	P	I	E	A	T	T	A
O	R	M	A	T	R	O	N	S	L
P	E	T	A	L	I	D	A	D	A
O	D	A	L	E	H	A	R	P	
B	A	N	U	L	E	W	I	N	
A	B	O	P	T	P	A	D	D	L
S	L	E	W	E	L	A	N	E	A
S	E	R	E	R	E	N	D	R	Y

- 2 Lion
- 3 Hogs
- 4 Visigoth king
- 5 Official papers
- 6 Female relative
- 7 Former coin
- 8 U. S. — R
- 9 Call it a —
- 10 Fuss
- 11 Wager
- 17 Swift
- 19 Tantalum symbol
- 20 Health resort
- 21 Bag
- 22 "Easy —"
- 24 Heedful
- 25 Wife of Geraint
- 26 With the speaking voice
- 27 Old musical instruments
- 29 Volcanic emanation
- 31 Fish eggs
- 32 — of Honor
- 37 Scene
- 38 Loops
- 42 Fulfill
- 45 Quarrel
- 46 Period of fasting
- 47 — Beta
- 48 Hearing organ
- 49 Consumed
- 50 Mature
- 52 Contend
- 53 Greek letter
- 55 Early morn



LEGAL NOTICE LEGAL NOTICE LEGAL NOTICE LEGAL NOTICE LEGAL NOTICE

PUBLIC NOTICES

"BECAUSE THE PEOPLE MUST KNOW"

(Editor's Note: Public Notice advertising plays a unique role both in American history and in the process by which this country's democracy is preserved. Its one promise that people must be informed if they are to govern themselves competently. Public Notice advertising first came into being with the Congress of 1792. That body, recognizing its responsibility to the people, required the Postmaster General to advertise for bids for the construction of new post offices. From that insuspicious beginning to the complex publication requirements in federal, state and local laws today, government officials have come more and more to understand their obligations to inform the public through Public Notice advertising. Newspapers over the years have been the vehicle by which these obligations have been fulfilled. They will continue to be as long as the public demands that it be informed frequently and by the best means possible.)

LEGAL NOTICE

Calloway County Delinquent Tax List

NOTICE

To Delinquent 1986 Taxpayers

The following 1986 real estate tax bills will be offered for sale at the Calloway County Court House Door at ten o'clock on Thursday, April 30, 1987, pursuant to Ky. State Law. Total tax includes penalties.

CALLOWAY COUNTY SHERIFF DEPT.
1986 Delinquent Tax List

Bill No.	Name	Amount
79.	Adams, James E. & Linda	3.22
92.	Adams, Keith	15.41
125.	Adcock, F.D.	3.86
132.	Adkins, George H.	44.50
144.	Adkisson, Jack	3.06
147.	Adsit, Glenn	2.56
151.	Agrusa, Pasquale	5.79
159.	Ahart, William	25.70
167.	Akey, Elizabeth	4.50

204.	Alexander, James	1.94
213.	Alexander, Richard A.	134.90
218.	Alexander, T.G.	231.26
267.	Allen, Carolyn A.	1.62
273.	Allen, Eugene R.	118.86
277.	Allen, John L.	1.29
278.	Allen, Kenneth	8.82
284.	Allen, Thomas Arthur	109.21
302.	Almon, Bobby W.	12.78
303.	Almon, Jerry	12.16
306.	Alton, Edd G.	121.88
322.	Alvis, James	14.14
332.	Anderson, Albin	5.14
336.	Anderson, Carl H c/o E. Sharpe	7.71
348.	Anderson, Harold B.	28.96
381.	Anderson, Robert W.	2.28
388.	Anderson, Truman c/o Chas Gross	3.22
407.	Aneritt, Kenneth	12.85
419.	Applegate, Carl	2.56
428.	Arms, Steven E.	3.22

LEGAL NOTICE

LEGAL NOTICE

LEGAL NOTICE

LEGAL NOTICE

LEGAL NOTICE

LEGAL NOTICE

476, Arnold, Oscar 3.96
488, Ashby, Cynthia 25.70
495, Ashcraft, Stanley 3.66
525, Aune, Douglas E. 7.07

550, Axson, Charles N. c/o Sandra Gretz 48.75
552, Ayers, Harley R. Jr. 3.86
656, Baker, Bobby M.C. 10.86
689, Baker, Connie 45.72
677, Baker, James E. 3.66

740, Ball, Bertha M. 4.84
747, Balta, Lorraine M. 6.09
748, Baltudis, Judith E. 3.22
809, Barnes, Carol L. 19.27
820, Barnett, Billy Lee 64.24

866, Barnett, Shirley 2.56
873, Barnett, William Ray 3.22
927, Barschdorf, John E. 9.65
928, Barsic, Matthew, Jr. 16.07
931, Bartlett, Clara K. & J.M. Hobbs 129.99

942, Bass, Gary R. 7.89
964, Bauer, Norman 1.94
970, Baumgartner, Paul 6.09
975, Baylor, Billy 3.22
979, Bazzell, Billie 64.24

997, Bazzell, Garrett T. 19.27
1051, Bean, Dennis W. 5.79
1056, Beane, Charles W. 129.81
1077, Beane, Rubena Heirs c/o Kathy Sledd 15.25

1081, Beane, Terry R. 143.36
1085, Bear, Anita 44.97
1086, Bear, Bobby 3.22
1088, Beard, John Wayne 66.80
1093, Beatte, Archie 19.27
1097, Beaugard, Georgia 2.21

1105, Becker, Alma W. 7.85
1127, Behayla, John F. 3.22
1161, Bell, Carl 2.56
1199, Belt, Berney 5.79
1222, Bennett, Carl W. 2.56

1231, Bennett, Dwain 25.70
1241, Bennett, Oscar 5.49
1244, Bennett, Robert 14.14
1248, Bennett, Wendell 12.16
1265, Beran, David A. 2.56

2373, Burgess, Bonnie J. c/o Chris Smith 1.29
2374, Burgess, Mattie 3.06
2386, Burke, Gerald 4.84
2387, Burke, Gerald MSG 3.86
2404, Burkeen, Dayman L. 12.85

2465, Burkeen, Ricky 21.34
2487, Burkhart, Harry A. 1.22
2492, Burks, Lewis Harold 3.86
2499, Burnett, Mike 11.56
2502, Burnette, Gary 21.21
2509, Burns, J.W. 3.22

2523, Burton, Bobby 2.43
2529, Burton, Lelon T. 18.28
2530, Burton, Lelon T. 12.19
2540, Butcher, Curtis 17.06
2601, Byars, Bobby 7.93
2602, Byars, Bobby G. 152.35

2603, Byars, Bobby G. 30.47
2627, Byers, Yvonne Jane 28.92
2683, Cain, James Edwin II 128.48
2697, Caldwell, Charles 13.23
2699, Caldwell, Charles 99.25
2700, Caldwell, Charles & Lillian Morgan 122.63

2702, Caldwell, Charles & Jerry 12.85
2703, Caldwell, Charles 72.34
2704, Caldwell, Charles 108.08
2705, Caldwell, Charles & A. Wimberly 128.48
2707, Caldwell, Charles Used Car Lot 103.66
2715, Caldwell, Floy Et Al c/o Danny Robinson 52.93

2746, Calloway Co. Land Co. 55.06
2750, Calloway Rid. Club c/o Mrs. Gary Wicker 16.71
2764, Campbell, Burton L. 3.22
2774, Campbell, James M. and Joyce 1.94
2780, Campbell, Patrick A. & Patricia Alvey 35.29

2798, Canning, John Francis 3.86
2829, Cargell, Bertram 5.14
2858, Carr, Ann 12.85
2859, Carr, Ann 240.91
2860, Carr, Charles F. 3.22
2866, Carr, Tony 25.70

2906, Carrico, Phillip L. 286.72
2926, Carroll, Merida M. 21.62
2961, Carson, William R. 1.22
2992, Carter, Virgil O. 6.42
3001, Casey, Keith E. 9.65
3015, Castle, Harold 4.85
3019, Castro, Richard 2.56

3039, Cathy, John 27.43
3059, Cavitt, Gloria 57.34
3069, Cavitt, Teresa 79.40
3070, Cavitt, Theresa Ann 26.47
3098, Chadwick, Jerry 46.37
3100, Chadwick, Jessie 23.13

4175, Crouch, Mary 19.27
4176, Crouch, Max 235.76
4203, Crow, James L. 3.22
4204, Crow, James L. 3.22
4208, Crowder, Mollie E. 3.22
4227, Crutcher, Wayne 2.56

4266, Cundiff, Kenneth 7.71
4287, Cunningham, Elizabeth 35.34
4311, Cunningham, Mary 17.99
4312, Cunningham, Mary 12.85
4337, Cunningham, Theodore R. 70.58
4379, Cutler, Steve K. 1.29
4384, D-Al-Les Inc. 32.31

4385, Dabbs, Gail 9.65
4394, Dakota - Patrick Food Inc. 717.23
4409, Dambrasia, Dean M. 4.50
4431, Danna, Ronald L. 8.36
4436, Danner, Ronnie 99.68
4443, Darnell, Brooks 199.79
4463, Darnell, James Lee 204.16

4465, Darnell, Jesse 23.16
4467, Darnell, Jimmy D. 68.10
4469, Darnell, John 1.94
4474, Darnell, Marc 24.38
4483, Darnell, Prentice F. 407.94
4523, Davenport, Gene 1.29
4524, Davenport, Gene 10.29

4540, Davis, C. O. 3.86
4546, Davis, Donald L. 1.94
4570, Davis, Marshall L. 72.60
4573, Davis, Ray O. 4.50
4618, Decanto, Joe 5.14
4639, Deerwood Est., Inc. 574.99
4654, Delle, Joseph 5.14

4663, Denham, Betty D. 24.38
4677, Dennis, Donald or Cheryl 7.71
4679, Dennis, Izetta 26.98
4727, Diamond Caverns - Plantation Resorts Ltd. 9.15
4745, Dick, Marty Allen 145.56
4757, Dick, William E. 48.19

4773, Dietz, Jack L. Est. c/o B.F. Dietz 1.94
4788, Dillingham, Gerald M. 1.29
4842, Dixon, Ruby P. 134.07
4845, Dixon, Warren A. Sr. 3.22
4870, Dodson, Jim 64.00
4891, Donato, James J. c/o Michael G. Donato 2.90

4912, Donner, Robert L. or Sandra 8.94
4942, Dorris, Luther J. 1.29
4943, Dorris, Raymond B. c/o Raymond B. Horton 3.86
4958, Doty, Blair 1.94
4959, Doty, Blair 3.86
4983, Dowdy & Hanka Motor Sales 9.65

5014, Dowling, Henley H. 7.07
5021, Downey, Richard or Suzanne 25.60
5022, Downing, Jimmy Don 109.21
5025, Downing, Marc A. & Linda S. 163.21
5028, Downs, Ed 2.56
5053, Drake, Kenneth 4.50

5643, Engle, Ralph 1.94
5661, Enoch, Fred 21.84
5717, Erwin, M.H. 4.50
5723, Erwin, Paul 28.92
5724, Erwin, Paul 28.92
5743, Esquillin, Edwardo 6.09
5748, Estook, Robert C. 109.21

5796, Evans, Richard A. 2.43
5798, Evans, Russell 44.97
5815, Everett, Dudley C. 9.65
5820, Everhart, Virgil M. 1.94
5889, Fannaro, Len 5.14
5931, Farr, Teresa J. 130.13

6009, Feagin, David 61.04
6010, Feagin, David L. 31.01
6063, Ferguson, Arthur 128.48
6064, Ferguson, Charlie L. 19.27
6115, Finley, Orne & Alma 4.50
6125, Finney, Lyndall c/o Jim Murray 4.17

6180, Fletcher, Charles E. & Pearl June 3.22
6196, Flood, Ronnie 25.70
6205, Florek, Matthew Est. c/o Bruce Florek 3.22
6207, Floyd Burlos, c/o Martha Grubbs 6.42
6210, Floyd, Ralph E. & Erika 7.89

6237, Fondau, Vern 31.69
6266, Ford, Robert 3.22
6271, Forest, Richard J. 11.56
6306, Foster, Drake c/o Ann Foster 35.29
6311, Foster, J.C. 18.28
6320, Foster, Phil 59.72
6328, Fowler, James 4.50

6398, Fritz, Mark 25.70
6400, Friuts, Harvey L. 7.71
6575, Futrell, Robert B. 24.38
6588, Futrell, Teddy G. 77.20
6589, Futrell, Teddy G. 485.02
6606, Gabbard, Edward H. or Freida 3.86

6609, Gaddie, Gordon 1.29
6632, Gallagher, Irene B. Mrs. 6.09
6635, Gallimore, Gail Grogan 112.43
6653, Galloway, Ned 102.78
6672, Gammons, L.D. 2.21
6695, Gardner, Ronald James 48.52

6696, Gardner, Ronnie 353.32
6697, Gardner, Ronny James & Betty Nell 17.17
6727, Garland, David E. 207.20
6748, Garland, John Eurie II 200.43
6758, Garland, Noah F. 3.22
6786, Garner, Darren L. 38.54

6787, Garner, Darren L. 32.12
6789, Garner, Glinda 15.25
6827, Garrison, William H. 6.42
6839, Gassam, Kevin 89.94
6842, Gates, Peggy 38.54
6844, Gatewood, Jack 50.59
6853, Gee, Ralph S. 3.22

6860, Gelsinger, Donald O. or Reva 1.94
6868, Gentry, Mark 100.56
6872, George, Paul 10.36
6888, Geurin, Bill c/o Robert Jones 6.42
6889, Geurin, Bill G. 48.19

CLASSIFIEDS

1. Legal 2. Notice

1. Legal 2. Notice

6. Help Wanted 9. Situation Wanted

24. Miscellaneous

27. Mobile Homes for Sale

32. Apts for Rent

301 KAR 1.085E Mussel shell harvesting TOURISM CABINET Department of Fish and Wildlife Resources Relates to: KRS 150.025, 150.110, 150.170, 150.175, 150.190, 150.510, 150.520. Pursuant to: KRS 13A.350, 150.025 NECESSITY AND FUNCTION: It is necessary to regulate the manner of taking mussels because of the value and susceptibility of these animals for over-harvest. This amendment is necessary to reduce conflicts between mussel harvesters and other resource user groups and to increase the minimum size limit on selected mussel species.

NOTICE TO CREDITORS The following estate fiduciary appointments have been made in the Calloway District Court. All claims against these estates should be filed with the fiduciary within six months of date of qualification.

TUXEDOS Now renting for Proms & Weddings Hrs. 9-8 M-Sat Sun. 1-5 Mr. J's Olympic Plaza Murray, Ky. 753-3511

Ag Brokers is your source for Dry Bulk Fertilizer Anhydrous Amonia Agriculture Chemicals Industrial Road 753-4533

VOTE MAY 26, 1987 ELECT Robert Swan "Bob" Roscoe City Councilman Dedicated - Qualified

LEGAL NOTICE A final settlement of accounts has been filed in the Calloway District Court by J. Dan Parker, Executor, of the estate of Johnny D. Parker, Deceased.

LEGAL NOTICE A final settlement of accounts has been filed in the Calloway District Court by Gene Starks, Executor, of the estate of Roberia "Rose" A. Starks, Deceased.

NOTICE The James and Vickie Holland listed in the tax delinquent list is not James Ray and Vickie Holland 1549 Canterbury Drive, Murray.

Major Medical Coverage For Young Adults To Age 65 LOWEST RATES BETTER COVERAGE Call Tony Montgomery Insurance 753-7419

WANT TO BUY Tobacco Base \$2600 per acre 492-8790

WANTED Models For Hair Show Place-Paris Landing State Park Date-Monday, April 13th

NATIONAL talent agency now interviewing. Call for appointment 753-8298.

NEED a job? 4 openings now. You may qualify if: (1) you do not have a GED or your high school diploma, (2) you have been out of school 9 months or more, (3) you are between ages 16 & 21. We are an EOE.

5. Lost and Found LOST black and tan male pup, 9 months old. Answers to name Carter. Lost in the Taylor State area. 762-4482 or 492-8861.

6. Help Wanted POSITIONS open at Readmore Bookstore, Chestnut Hills Shopping Center. Apply in person.

9. Situation Wanted SHARON is available for babysitting in her home. 641 South, Hazel area. 492-8552.

LEARN TO DRIVE TRACTOR-TRAILER AS SEEN ON TV Accredited School Financial Aid Available CALL TODAY!

14. Want to Buy 1270 MOBILE home. Prefer 3 BR, 2 bath, central air. Call 753-9980.

15. Articles for Sale 17x8 BATHROOM wallboard \$5.95. Several colors to choose from.

16. Home Furnishings COUCH and chair, Homesteader wood stove. Call 435-4410 after 3P.M.

USED TIRES \$5.00 & up Ford Alternators \$5.00 ea. Wiper Motors \$10.00 & up Key Auto Parts Hwy 121 S. 753-5500

MOVING 2 riding mowers, electric stove, portable dishwasher, chain link fence... 492-8707.

22. Musical FOR sale: Mobile DJ unit and lights. Custom built by Heil Sound.

24. Miscellaneous PAIR of boys Nike shoes, size 7 1/2. 4 mens suits, small size, waist 31. One red blazer, size 40.

26. TV - Radio COLOR TV and Sansui stereo turn table, cassette radio (AM/FM), big speakers.

27. Mobile Homes for Sale 12x52 ATLANTIC with 12x18 add-on, 1 or 2 BR, one bath, washer & dryer hookup, sun deck.

10-12 furnished or unfurnished ideal for lake or rented property. Shady Oaks, Murray. 753-5209.

12x60, 2 BEDROOM, D4 Fox Meadows. Excellent condition. Will take best offer. 759-9890 or 753-5677.

1774 FLEETWOOD 12x45 3 bedroom, 1 1/2 bath, extended living room, kitchen with appliances, central heat and air. Call 759-4886.

1987 ALADIN 12x56 2 bedroom, central heat and air, porch and underpinning. Call 753-9491 after 5P.M.

2 TRAILERS for rent in Hardin. Call 437-4569 after 6P.M.

31. Want to Rent Looking to lease or buy a dark tobacco base. Will pay good price. 435-4131

32. Apts for Rent 1 BEDROOM furnished apartment, 1 block from campus, married couple or single person only. No pets. Available April 1st. Water paid. \$175 per month. 753-5980.

4 Party Yard Sale Fri., April 10 8a.m.-3p.m. 1521 Canterbury Drive

4 Party Yard Sale 8 a.m. - 5 p.m. Fri. & Sat. 5 mi. N. on Airport Rd. Hwy 783 N. HOME INTERIOR, country pine dinette w/china cabinet, couch & chair.

NICE 2 bedroom brick duplex 3 miles east on Hwy. 280. \$195 with deposit. Call 753-1513.

YAKING applications for Section 8. Rent Subsidized apt. 1, 2 or 3 BR. Apply Hilldale Apts., Hardin, Ky. Equal Housing Opportunity.

37. Livestock-Supplies REGISTERED saddle horses, mother and daughter. Excellent riding, very gentle. 753-6842.

2 Party Yard Sale Saturday April 11 8 a.m.-12 p.m. Oakes Estates No Early Sales

Yard Sale 7a.m. - 2p.m. Sat., April 11 1625 Miller Ave.

Garage Sale 205 N. 10th 7:30 a.m. - ? Chest type freezer, lawn mower, many other things.

Yard Sale Fri., April 10 8a.m.-3p.m. 1521 Canterbury Drive

4 Party Yard Sale 2002 College Farm Rd. Fri. & Sat. 8a.m.-4p.m.

Carpport Sale 8 a.m. - 5 p.m. Fri. & Sat. 5 mi. N. on Airport Rd. Hwy 783 N. HOME INTERIOR, country pine dinette w/china cabinet, couch & chair.

**We Accept
Food Stamps**

Prices Good
thru April 15

OWEN'S Food Market

GOOD FOOD — FROM GOOD FOLKS

1407 Main St.
753-4682

**We Reserve The
Right To Limit
Quantities**

Gold Medal Plain or Self Rising FLOUR 5 lb. 79¢	Vietti CHILI WITH BEANS 30 oz. \$1.29	Food Storage Bags GLAD LOCK qt. size 25 ct. \$1.29
Pepsi or PEPSI PRODUCTS 8 pk, 16 oz \$1.37 plus deposit, with \$5.00 purchase	Parkay OLEO 1 lb. 3/\$1.00 with \$5.00 Purchase	Sunshine Cheez-it CRACKERS 16 oz. \$1.49
Maxwell House COFFEE 1 lb. bag \$2.69	Prairie Farm 1% MILK gallon \$1.69	Mildew Stain Remover TILEX 16 oz. \$1.89
Hellmans MAYONAISE \$1.69	Coke and COKE PRODUCTS 2 liter 99¢	Duncan Hines Blueberry MUFFIN MIX 13 oz. \$1.29
Florida Gold Pure ORANGE JUICE 64 oz. 99¢	Double Q Chum SALMON 15½ oz. \$1.59	Lays All Flavors POTATO CHIPS 6½ oz. 99¢
Musselman's APPLESAUCE 16 oz. 2/79¢	15 lb. box House Cat CAT LITTER BUY ONE GET ONE FREE SAVE 3.49	  WIENERS lb. \$1.39  BEEF WIENERS lb. \$1.39  BACON 12 oz. \$1.49  BOLOGNA lb. \$1.49  HAM LB. \$2.19  HAM lb. \$2.39  HAM lb. \$3.29  HAM 6 oz. \$1.59
Flav-O-Rich Whole MILK Gallon \$1.99	5 lb. box House Cat CAT LITTER BUY ONE GET ONE FREE SAVE 1.19	
Hyde Park Bartlett PEARS 16 oz. 69¢	Pine Action LYSOL 28 oz. BUY ONE GET ONE FREE SAVE 2.59	
Florida Gold Pure Frozen ORANGE JUICE 12 oz. 99¢	I.B.C. Reg. or Sugar Free ROOT BEER 6 pk, 12 oz. \$1.79	
Angel Soft TOILET TISSUE 4 roll pkg. 89¢	Sunflower Self-Rising Meal 5 lb. 99¢	

BEST MEATS IN TOWN

COME TO OWEN'S FOOD MARKET HOME OF
SUPER TRIM MEATS ¼ IN. OR LESS

US Choice Western Grain Fed
ROUND STEAK

\$1.49

lb.
Boneless — \$1.69 lb.

Family Pack Grade A
CHICKEN BREAST

\$1.29

lb.

Miller Whole
COUNTRY HAM

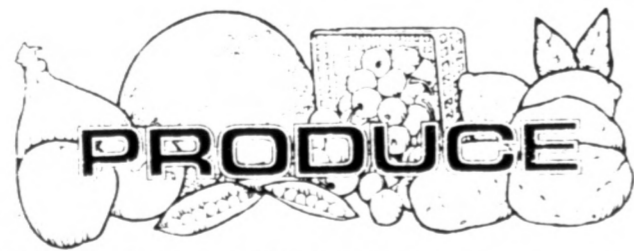
\$1.59

lb.

US Choice Boneless
SIRLOIN TIP ROAST

\$1.99

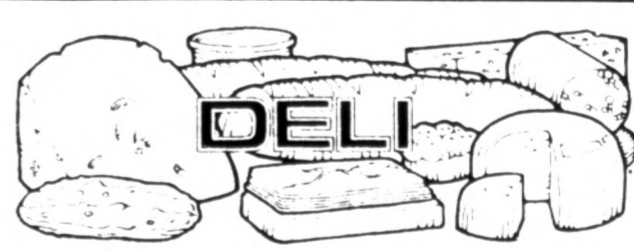
lb.



PRODUCE



MEATS



DELI

Crisp Head LETTUCE 39¢ & 49¢
Sweet Hawaiian PINEAPPLE 8 size \$1.29
Green CABBAGE lb. 19¢
Florida STRAWBERRIES Qt. \$1.59
Golden Ripe BANANAS 3 lb. \$1.00
Indian River Red GRAPEFRUIT 5 lb. bag \$1.79
Fancy CUCUMBERS 4/\$1.00

US Choice Boneless SIRLOIN TIP STEAK ... \$2.19
US Choice Boneless RUMP ROAST ... lb. \$2.39
Oscar Mayer BACON ... lb. \$1.79
Bob Evans Sausage or Ham and Cheese BUSCUITS ... pkg. \$2.09
US Choice Eye of Round ROAST lb. \$2.59 Steak lb. \$2.69
US Choice CHICKEN FRY STEAK lb. \$2.39
US Choice Extra Lean GROUND ROUND ... lb. \$1.79

Owens Best Boneless PIT BAKED HAM ... lb. \$3.99
Owens Best Deli BAKED HAM ... lb. \$3.99
Baby Swiss CHEESE ... lb. \$3.29
Owens Best Deli ROAST BEEF ... lb. \$4.29
Owens Best BBQ BEEF ... lb. \$3.29
Owens Best Deli Made. Hot or Reg. PIMENTO CHEESE lb. \$2.69