

# A review on non-isolated low-power DC–DC converter topologies with high output gain for solar photovoltaic system applications

*By* Tole Sutikno

# A review on non-isolated low-power DC–DC converter topologies with high output gain for solar photovoltaic system applications

Tole Sutikno<sup>1,2,\*</sup>, Hendril Satrian Purnama<sup>2</sup>, Nuryono Satya Widodo<sup>1</sup>, Sanjeevikumar Padmanaban<sup>3</sup> and Mohd Rodhi Sahid<sup>4</sup>

<sup>1</sup>Department of Electrical Engineering, Industrial Technology Faculty, Universitas Ahmad Dahlan, 55191 Yogyakarta, Indonesia

<sup>2</sup>Embedded System and Power Electronics Research Group, 55191 Yogyakarta, Indonesia

<sup>3</sup>CTIF Global Capsule, Department of Business Development and Technology, Aarhus University, Herning 7400, Denmark

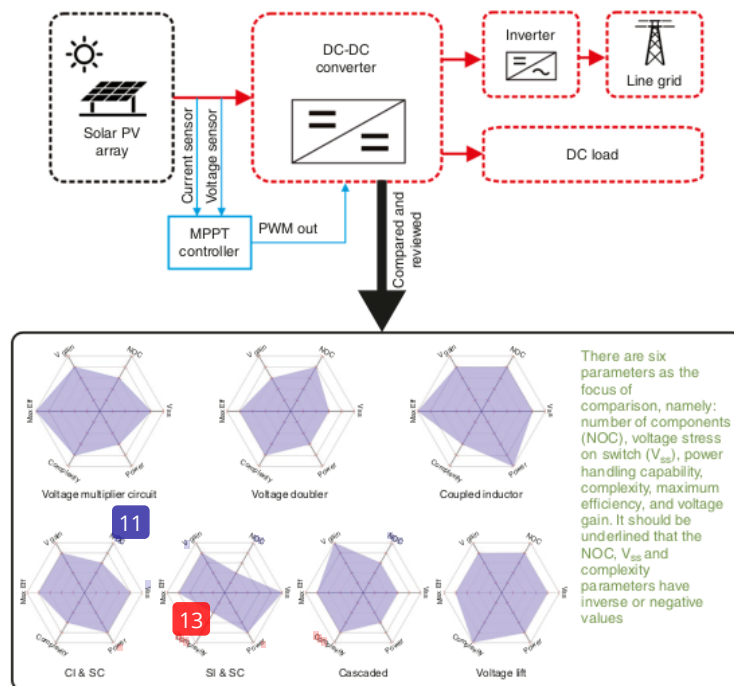
<sup>4</sup>School of Electrical Engineering, Faculty of Engineering, Universiti Teknologi Malaysia, Johor, Malaysia

\*Corresponding author. E-mail: [tole@ee.uad.ac.id](mailto:tole@ee.uad.ac.id)

## Abstract

The major challenges of the high-gain DC–DC boost converters are high-voltage stress on the switch, extreme duty ratio operation, diode reverse-recovery and converter efficiency problems. There are many topologies of high-gain converters that have been widely developed to overcome those problems, especially for solar photovoltaic (PV) power-system applications. In this paper, 20 high-gain and low-power DC–DC converter topologies are selected from many topologies of available literature. Then, seven prospective topologies with conversion ratios of  $>15$  are thoroughly reviewed and compared. The selected topologies are: (i) voltage-multiplier cell, (ii) voltage doubler, (iii) coupled inductor, (iv) converter with a coupled inductor and switch capacitor, (v) converter with a switched inductor and switched capacitor, (vi) cascading techniques and (vii) voltage-lift techniques. Each topology has its advantages and disadvantages. Comparison of the seven topologies is provided in terms of the number of components, hardware complexity, maximum converter efficiency and voltage stress on the switch. These are presented in detail. So, in the future, it will be easier for researchers and policymakers to choose the right converter topologies and build them into solar PV systems based on their needs.

## Graphical Abstract



**Keywords:** distributed energy and smart grid; energy and environment; energy system and policy; solar

Received: 19 March 2022. Accepted: 11 June 2022

© The Author(s) 2022. Published by Oxford University Press on behalf of National Institute of Clean-and-Low-Carbon Energy

This is an Open Access article distributed under the terms of the Creative Commons Attribution-NonCommercial License (<https://creativecommons.org/licenses/by-nc/4.0/>), which permits non-commercial re-use, distribution, and reproduction in any medium, provided the original work is properly cited. For commercial re-use, please contact [journals.permissions@oup.com](mailto:journals.permissions@oup.com)

**Introduction**

Due to the massive usage of fossil fuels that causes some big environmental issues and global-warming problems, the development of technology in terms of renewable energy sources is increasing rapidly [1-5]. Solar photovoltaic (PV) power sources have become the most favourable energy sources due to their clean and emission-free energy sources with high reliability and low cost [6].

Because of the limitations of PV power sources that have a low-voltage output of between 12 and 60 V, the high output-voltage gain of the DC-DC converter is needed to level up the output voltage for some applications [7], e.g. in grid-connected applications. Grid-connected power applications are operated at ~375-400 V for full-bridge inverters [8] and ~760 V for half-bridge inverters [6]. The conventional boost DC-DC converter topology cannot achieve that level of voltage gain or it will cause an extreme duty ratio and high voltage stress on the power semiconductor device. As a result, many researchers have developed and modified the conventional boost converter topology in recent years to achieve a high voltage gain with higher efficiency and reliability [9-18].

To cope with the direct current (DC) bus voltage for grid-connected inverters, a conventional solution is normally used by connecting the PV panels in series. Due to the large space requirements and high cost, the series/parallel combination of PV panels is not a viable solution for increasing voltage/current [19-21]. Thus, a DC-DC converter with a high-gain voltage-conversion ratio is required to achieve high-voltage outputs [22].

In this paper, the modified topology of a non-isolated DC-DC converter with a high-gain voltage that is >15 times the size is discussed. Other than that, the performance analysis and comparison of such a topology are provided. The paper is organized as follows. Section 1 will outline the major challenge of the high-gain voltage of a DC-DC converter; Section 2 will describe the high-step-up DC-DC converter application on PV power systems, step-up DC-DC converter classification for PV application and the

very-high-step-up DC-DC converter with high voltage gain (>15 times); Section 3 will provide a discussion and comparisons of the selected DC-DC converter topology; and Section 4 will provide concluding remarks.

**1 DC-DC converter configuration on PV power-generation systems**

Solar PV power sources have various limitations in terms of harvesting power. It is because the energy-conversion process by PV panels is greatly affected by the radiation received by the panel surface [23]. Therefore, the production of power (current and voltage) from PV panels is greatly affected by climate change and the effect of shading, especially for PV panel installations in urban areas [24]. Due to these problems, a power converter that can operate optimally and is able to change the PV varying input voltage level to a fixed or variable voltage level according to load requirements is needed. In addition, the output voltage of the PV panels only ranges from 12 to 60 V, so a DC-DC converter is needed. This can increase the voltage to the level required by the grid or load, which is >380 V for single-phase electricity needs. The configuration of the solar PV-based energy-conversion system using a DC-DC boost converter is shown in Fig. 1.

Basically, the converter needed to increase the DC voltage from a low voltage level to a high voltage level is called a DC-DC boost converter. The conventional DC-DC boost converter works by utilizing active and passive components such as transistors, inductors, diodes and capacitors. The task is to produce an output DC voltage that is greater than the input DC voltage. It works by varying the duty cycle of the pulse-width modulation (PWM) switching on the transistor to charge the inductor and capacitor alternately. The equivalent circuit of a conventional DC-DC boost converter is shown in Fig. 2.

However, the use of a conventional DC-DC boost converter has limitations in terms of increasing the voltage level. Therefore,

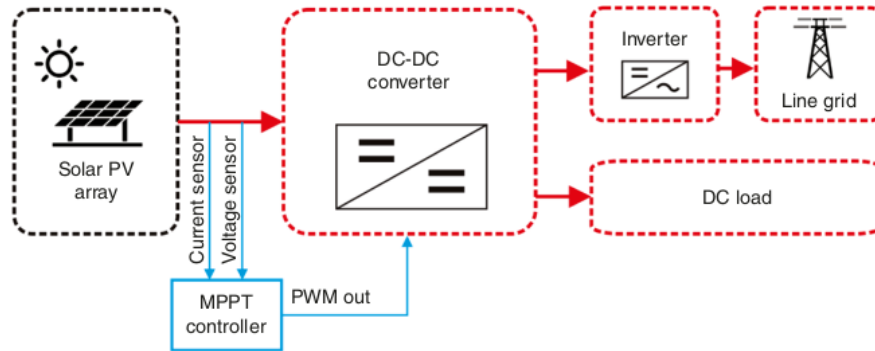


Fig. 1: PV array configuration to the load.

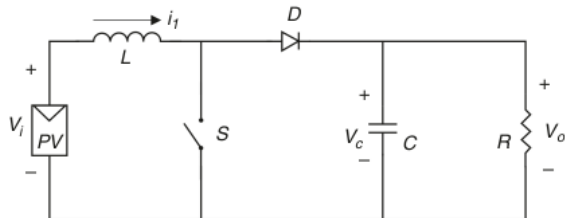


Fig. 2: Conventional boost DC-DC converter circuit.

the modification of the basic converter topology and circuit is needed. So, the voltage can be raised to the level needed by the grid system if performance and efficiency are taken into account.

**1.1 Solar PV array power characteristic**

The power output from PV can be modelled by Kirchhoff's current law. From Fig. 3, it can be obtained using Equation (1):

$$I_{pv} = n_p I_L - I_d - \frac{V_d}{R_{sh}} \tag{1}$$

where  $I_d$  represents the current on the diode,  $I_L$  represents the light-generated current from the PV panel,  $n_s$  represents the number of cells connected in parallel,  $R_{sh}$  represents the resistance of the shunt and  $V_d$  represents the voltage of the diode.

Then the current on the diode can be written as Equation (2):

$$I_d = n_s I_{os} \left\{ \exp \left[ \frac{q(v + I_{cell} R_s)}{n_s A K T} \right] - 1 \right\} \quad (2)$$

Fig. 3a shows the equivalent circuit of a PV cell and Fig. 3b shows the I-V characteristics of solar/PV cells with a load line.

### 1.2 Maximum power point tracking controller

Maximum power point tracking (MPPT) is a technique that is commonly used in wind turbines and in PV power-generation

systems. It is extensively used to maximize power extraction under various environmental conditions [25, 26]. MPPT implementation uses an algorithm that takes a sample of the output voltage and current from the PV panel and then adjusts the duty ratio as needed. A microcontroller is usually used to implement the algorithm. Modern applications often use high computer requirements for their analytic and load-forecasting needs. In general, the MPPT controller algorithm is implemented in power-converter systems from PV to storage or load systems. The most commonly used power converter in PV systems is the DC-DC converter. Much research has been conducted in recent years to implement the high-gain DC-DC converter for MPPT applications, which can be found in the literature [27-33].

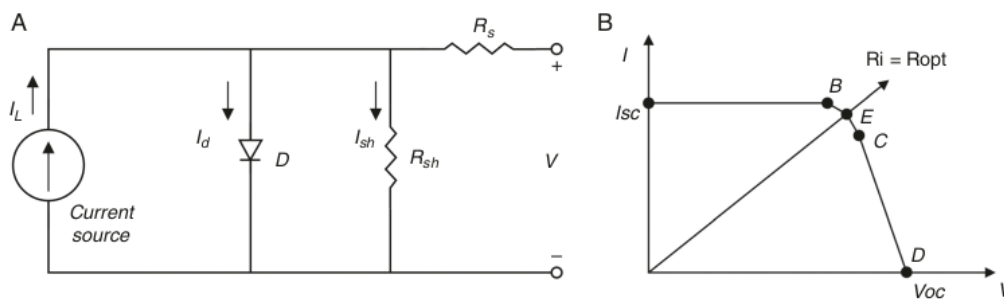


Fig. 3: (a) Equivalent circuit of PV model, (b) I-V characteristics of solar cell with load line.

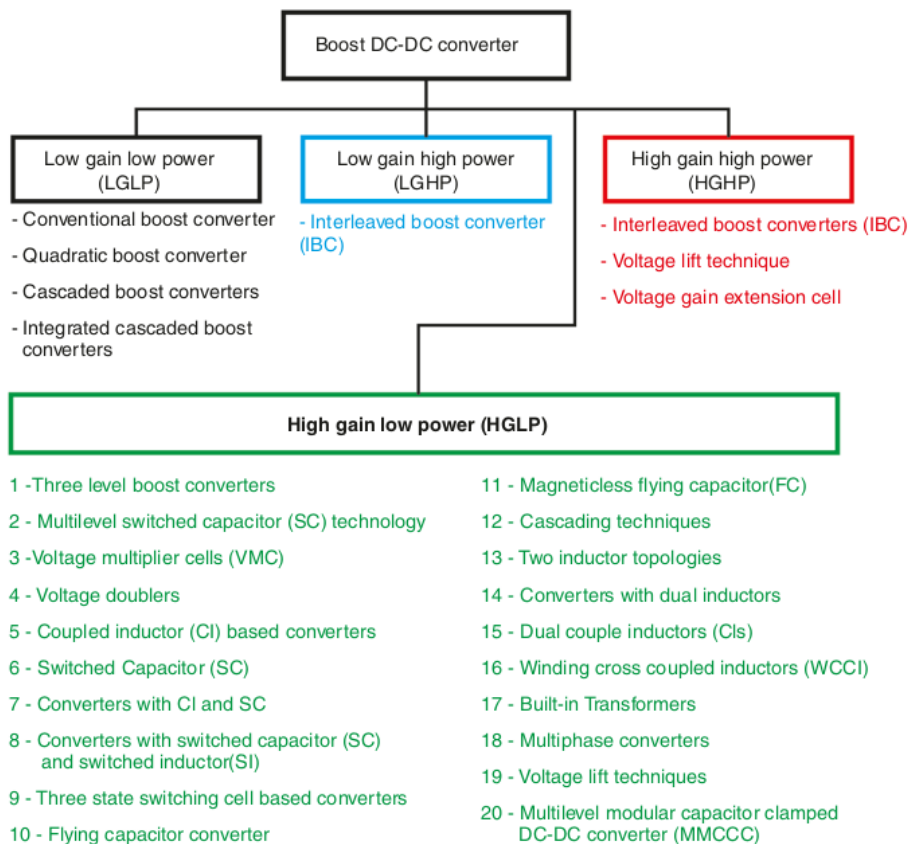


Fig. 4: Various topologies of the boost DC-DC converter classified based on voltage gain and rated power level.

### 1.3 DC-DC converter

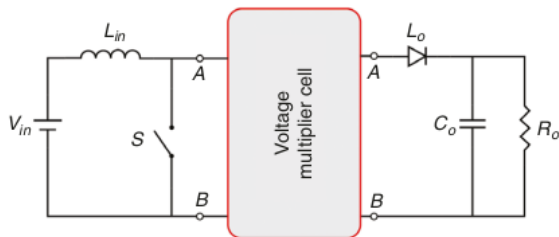
The DC-DC converter converts a DC source into the desired voltage level at the output [34]. The range of converted power varies widely, from very low power (i.e. battery) to very high power (high-voltage power transmission). Basically, the DC-DC converter is divided into two main topologies, namely isolated and non-isolated DC-DC converters. On the isolated DC-DC converter, the transformer is used to step up or step down the input voltage, whereas on the non-isolated DC-DC converter, semiconductor components are used to convert the voltage so it has a more compact size, higher efficiency and lower production costs.

In PV applications, a non-isolated DC-DC converter is used as an input voltage converter that varies from a range of 12–60 V to a fixed output voltage with a range that varies between 24 V (for batteries, lighting applications, etc.) 760 V (for power-system line-transmission applications) [12]. A high-step-up DC-DC boost converter is required due to the high-output-voltage requirement with very limited input voltage.

**Table 1:** Various modified topologies of high-voltage-gain DC-DC converters (refers to Fig. 4)

| Topology number | Reference     | Voltage-gain range ( $\times$ ) |             | Component count |          |
|-----------------|---------------|---------------------------------|-------------|-----------------|----------|
|                 |               | Minimum                         | Maximum     | Minimum         | Maximum  |
| 1               | [36–39]       | 4 [37]                          | 12 [36]     | 13 [38]         | 18 [39]  |
| 2               | [40, 41]      | 9 [41]                          | 12 [40]     | 10 [40]         | 20 [41]  |
| 3               | [42–46, 110]  | 9.5 [43]                        | 15.8 [44]   | 10 [45]         | 22 [42]  |
| 4               | [51–54]       | 7.9 [52]                        | 19 [51]     | 8 [52]          | 12 [51]  |
| 5               | [59, 111–116] | 5.55 [115]                      | 16.66 [114] | 8 [115]         | 15 [116] |
| 6               | [66, 67]      | 5 [67]                          | 10.8 [66]   | 10 [67]         | 16 [66]  |
| 7               | [57, 68–71]   | 5.68 [70]                       | 16.66 [68]  | 8 [69]          | 18 [70]  |
| 8               | [71, 77, 78]  | 9.1 [77]                        | 20 [71]     | 5 [77]          | 18 [71]  |
| 9               | [83–85]       | 7.91 [85]                       | 8.33 [83]   | 14 [84]         | 20 [85]  |
| 10              | [86]          | 5 [86]                          | –           | 7 [86]          | –        |
| 11              | [87]          | 5 [87]                          | –           | 15 [87]         | –        |
| 12              | [88]          | 6 [88]                          | –           | 8 [88]          | –        |
| 13              | [117]         | 20 [117]                        | –           | 10 [117]        | –        |
| 14              | [93]          | 12.66 [93]                      | –           | 12 [93]         | –        |
| 15              | [94]          | 8.33 [94]                       | –           | 15 [94]         | –        |
| 16              | [95]          | 11.1 [95]                       | –           | 8 [95]          | –        |
| 17              | [96, 97]      | 8.44 [97]                       | 9.5 [96]    | 7 [96]          | 15 [97]  |
| 18              | [98–100]      | 9.5 [98]                        | 9.5 [100]   | 14 [99]         | 16 [100] |
| 19              | [101–103]     | 5 [101]                         | 9.5 [102]   | 9 [101]         | 26 [103] |
| 20              | [104–109]     | 9.5 [104]                       | 15.3 [105]  | 12 [104]        | 15 [105] |

–, data not available.



**Fig. 5:** Basic circuit of DC-DC boost converter with VMC [110].

### 1.4 Various topologies of the high-voltage-gain DC-DC converter

Conventional boost DC-DC converters have limitations in increasing the voltage to a high level, where the level is the grid voltage level. Many studies have been carried out by modifying the conventional DC-DC converter boost circuit into a variety of new topologies [12, 35]. These can increase the voltage to very high levels while maintaining high reliability and efficiency. The changed topology of the boost DC-DC converter circuit can be divided into four different plans:

- (i) low-gain low-power (LGLP);
- (ii) low-gain high-power (LGHP);
- (iii) high-gain low-power (HGLP);
- (iv) high-gain high-power (HGHP).

Out of the four gain and power ranges of the modified topology, the HGLP topology group has been used in PV systems the most.

A general classification of the modified DC-DC boost converter topology is shown in Fig. 4. In the HGLP converter group, there are many developed topology modifications by researchers, including: (i) three-level boost converters [36–39]; (ii) multilevel switched-capacitor (SC) topology [40, 41]; (iii) voltage-multiplier cells (VMCs) [42–50]; (iv) voltage doublers [51–56]; (v) coupled-inductor (CI) converters [52, 57–65]; (vi) SC converters, also known as charge pumps [66, 67]; (vii) combination of CI and SC converters [57, 68–76]; (viii) combination of SC and switched-inductor (SI) converters [71, 77–82]; (ix) three-state switching converters [83–85]; (x) flying-capacitor converters [86]; (xi) non-magnetic flying-capacitor (FC) converters [87]; (xii) multilevel modular capacitor-clamped DC-DC converters [88]; (xiii) cascading techniques [89–92]; (xiv) two-inductor topologies [93]; (xv) converters with dual inductors [94]; (xvi) dual CIs [95]; (xvii) winding-cross-coupled inductors [96, 97]; (xviii) built-in transformers [98–100]; (xix) multiphase converters [101–103]; and (xx) voltage-lift (VL) techniques [104–109].

From all the topologies in the HGLP group that we have studied in this paper, we will discuss in more detail the HGLP topology group, which has a voltage gain of >15 times the input voltage. The topologies include: (i) VMC with 9.5–15.8 times the voltage gain; (ii) voltage doubler with 7.9–19 times the voltage gain; (iii) CI-based boost converter with 5.55–16.66 times the voltage gain; (iv) CI- and SC-based boost converter with 5.68–16.66 times the voltage gain; (v) SI- and SC-based boost converter with 9.1–20 times the voltage gain; (vi) cascading technique with 20 times the voltage gain; and (vii) VL technique with 9.5–15.3 times the voltage gain.

### 1.5 Major challenges of a DC-DC converter for a PV system with high voltage gain

Besides minimizing current ripple at the input port and keeping the switch from operating at an extreme duty ratio, it is worth noting that the high voltage stress on the switch followed by high peak currents at the low-voltage port are the main concerns in high-step-up conversion systems [12]. Several DC-DC converter topologies that inherit the capability of high voltage gain are also reviewed. However, on the other hand, those converters are suffering from too much voltage stress to increase the voltage from a very small source [65]. Furthermore, the efficiency of some of these converters is also drastically reduced if the conversion ratio voltage is too high.

## 2 Low-power boost DC-DC converter for PV application with very high gain

Based on the literature, 20 variations of the topology modification of the DC-DC converter circuit have been selected and categorized as high-gain DC-DC converters. The technical variations and topologies are presented in Table 1. It is found that out of 20 converters, 7 of them give an outstanding conversion ratio of  $>15$ . This voltage gain is unusual for a non-isolated DC-DC converter and, in some literature, it is also regarded as a 'very high-gain DC-DC converter'.

### 2.1 VMC

The structure of the boost converter circuit with the VMC circuit consists of the basic components that construct the boost converter and the VMC circuit [12]. Fig. 5 shows the basic circuit of the VMC structure applied to the boost DC-DC converter circuit, while Fig. 6 shows the VMC circuit with the multiplier factor 'M'.

There are several VMC topology variants determined based on the combination of several passive components consisting of capacitors and inductors, which also consist of semiconductor devices such as metal-oxide-semiconductor field-effect transistors, insulated-gate bipolar transistors and diodes. The combination of these components creates a multiplier circuit with distinctive characteristics. Some topology variations of this VMC circuit can be seen in Fig. 7. Table 2 presents a comparison between each cell's topology.

The main features of the VMC circuit are modularity, simplicity and the switches' low-voltage stress. However, this type of converter has several issues, including (i) poor voltage regulation, (ii) excessive component counts, (iii) low voltage gain and (iv) a reasonable trade-off between gain selection and desired efficiency [42].

Previous researchers have developed and improved the high-gain DC-DC converter based on the VMC circuit for smart grid

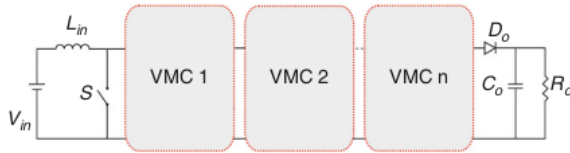


Fig. 6: DC-DC boost converter with 'M' VMC [110].

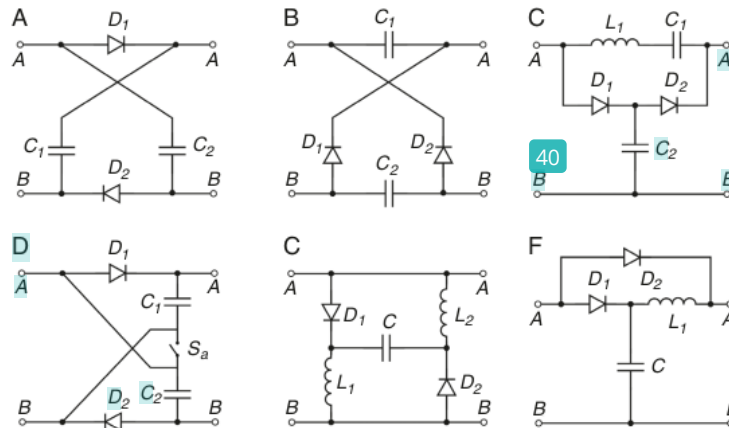


Fig. 7: Various cell topologies of VMCs.

and renewable-energy applications [12, 13, 43, 47–50, 118]. These converters are very much suited for PV applications due to their capability to step up the low-voltage input from the PV to the desired output voltage on the grid system.

### 2.2 Voltage doublers

A voltage doubler can be described as a converter that has an output voltage that is twice its input value. Most voltage-doubler circuits (cells) consist of a diode and an inductor [51], while others have additional capacitors [119]. The voltage doubler works by charging the capacitor at the input side and transferring the stored energy to the load at exactly twice the input voltage. By classifying the identical levels of the doubler, a larger voltage multiplier is obtained with a larger component count, excessive losses and a decrease in efficiency.

The equivalent circuit of a DC-DC boost converter with a voltage doubler can be seen in Fig. 8 [54]. In this circuit, the three-level boost converter proposed in [119] is added together with the voltage-doubler cell proposed in [77]. The two inductors, L1 and L2, are coupled, which results in a smaller inductor size under a similar switching frequency. In general, a voltage-doubler circuit for DC-DC converters has a simpler topology, fewer components and relatively higher efficiency than VMC. However, the voltage doubler has limitations on the gain voltage that can be generated.

This voltage-doubler topology is very popular in universal power supplies, which receive an AC input voltage ranging from 90 to 265 V<sub>rms</sub>. This is because it can make the rectified 90-V<sub>rms</sub> input voltage go up to twice as high when it needs to.

### 2.3 CI-based DC-DC converters

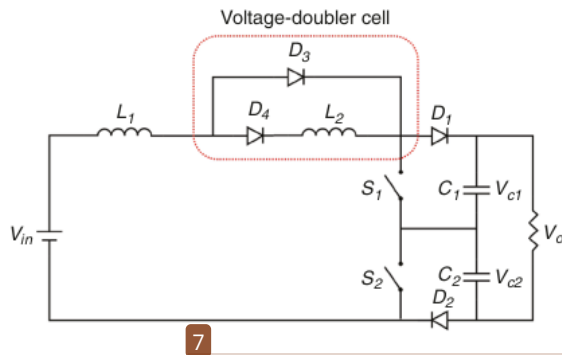
The CI is the component of non-isolated DC-DC converters that works by storing energy in one cycle and powering the load in another cycle [5]. Since many applications do not need electrical isolation, the use of CIs provides a useful alternative enhancement technique in DC-DC converters. It can be achieved by tapping or simply combining the inductors.

In general, CIs are used to increase the voltage gain as well as reduce the overall size of the inductor [120, 121]. This method can achieve high voltage gain and high efficiency by changing the turn ratio of CIs and energy recovery from the leakage inductance. In addition, a low off-state voltage can be provided by this method for the main switch [119]. High input current ripple and a large input filter are visible to most of these converters.

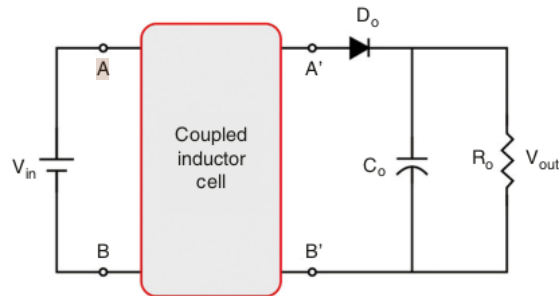
**Table 2:** Comparison of various VMC cells

| VMC type        | Voltage-gain ratio ( $V_{out}/V_{in}$ ) | Passive component | Semiconductors |
|-----------------|---|-------------------|----------------|
| 37<br>Fig. 7(A) | 1<br>$\frac{1+D}{1-D}$                  | 2 C               | 2 D            |
| Fig. 7(B)       | $\frac{1+D}{1-D}$                       | 2 C               | 2 D            |
| Fig. 7(C)       | $\frac{1+D}{1-D}$                       | 2 C<br>1 L        | 2 D            |
| Fig. 7(D)       | $\frac{1+D}{1-D}$                       | 1 C               | 2 D<br>1 S     |
| Fig. 7(E)       | 7<br>$\frac{1+D}{1-D}$                  | 2 L               | 2 D            |
| Fig. 7(F)       | $\frac{1+D}{1-D}$                       | 1 C<br>1 L        | 2 D            |

\*C, capacitor; L, inductor; D, diode; S, switch.



**Fig. 8:** Typical circuit of step-up DC-DC converter with voltage doubler [54].



**Fig. 9:** Schematic of the coupled-inductor base for the high-gain converter.

As a result, the application of this method is limited. In addition, there is a delay in the reverse-recovery diode due to the leakage inductance of the CI. Another drawback is that it is more costly compared to other methods [122].

Fig. 9 shows the general configuration of a boost C-DC converter with a CI. While the variant of the CI circuit is shown in Fig. 3a. In the boost converter with a CI, the other winding, which is connected in series with the voltage source, assists in supplying additional voltage to the circuit. The two clamping devices, namely the clamp capacitor ( $C_c$ ) and clamp diode ( $D_c$ ), are specifically used to recover the leakage energy. It is also noted that the clamping circuit works similarly at any point in the circuit to achieve its purpose in the leakage energy [123].

The soft-switching technique eliminates voltage spikes in the active clamp assist circuit shown in Fig. 10b, which improves over-

all efficiency and reduces voltage stress on the switch [124]. Aside from the soft-switching technique, a snubber circuit is capable of utilizing the energy due to leakage inductance and increasing efficiency [125], as illustrated in Fig. 10c. It is also clear that the charge pump (CP) and clamp circuits are capable of increasing the voltage gain in the basic boost CI converter while also suppressing the main switch voltage stress, as shown in Fig. 10d [126].

A CI in a circuit with a CP and switch capacitor method is proven to provide high voltage gain, especially when implemented in a distributed generation system [68]. As shown in Fig. 10e, this technique employs two capacitors, which are connected in parallel and series to charge and discharge the CI, respectively. On the other hand, the CIs with three windings are beneficial when high voltage gain is required. Fig. 10f shows the application of this type of circuit. The switch conduction time in [127] is reduced using this method with high-boost capability, which is beneficial in reducing the conduction losses as well. In addition, energy leakage is transferred to the output while the delay time can be adjusted to solve the reverse-recovery problem. It can be acquired by designing the primary and secondary coupler inductor currents such that they will flow in the opposite direction.

An amplifier circuit based on a triple-switch CI integrated with a CP is depicted in Fig. 10g. The voltage and current stress in this circuit are reduced by channelling the energy between the top and lower parts with the two switches. The active clamp method is implemented here to improve the efficiency with zero voltage switching (ZVS) at the switches [128]. As previously stated, the leakage inductor causes high-voltage ringing and surging in most magnetic coupling DC-DC converter switches. However, this can be improved to reduce the switching losses by adding a resonant capacitor in series with any winding of the CI and acting as a resonant circuit that further provides zero current switching (ZCS) and/or ZVS [45, 129, 130].

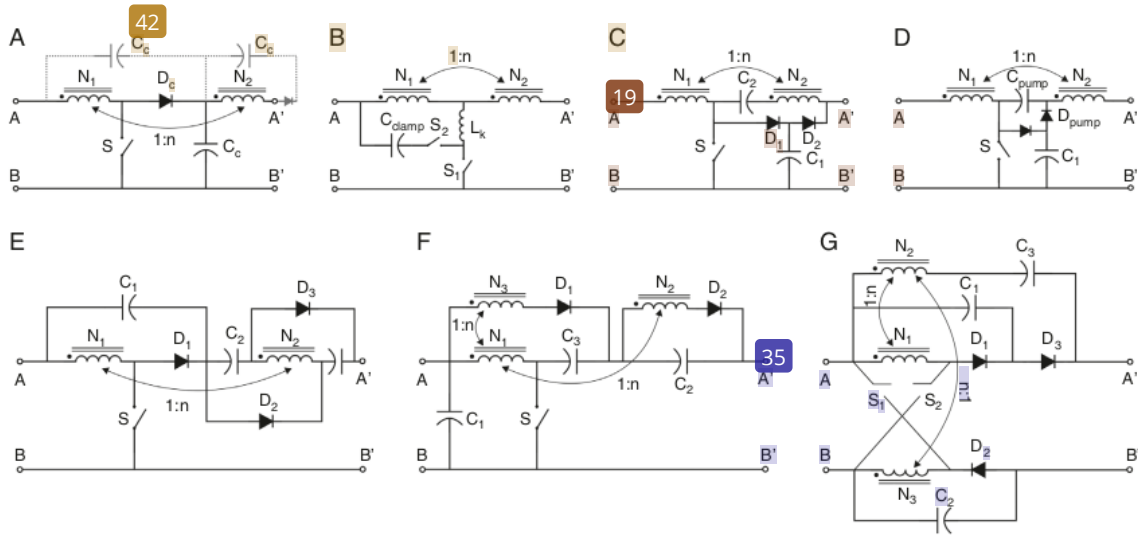
## 2.4 Converters with CI and SC

An SC and a CI operate with a wide voltage-conversion range in this type of converter [57, 68]. In addition to [46], the leakage inductance of the CI is utilized to suppress the reverse-recovery problem of the output diode. The soft-switching technique is also applied to eliminate the switching losses during turn-on with ZCS operation. In [69], the passive clamp circuit is found to be implemented in other circuits that reduce voltage stress at the switch by recycling leakage energy [70, 71, 131].

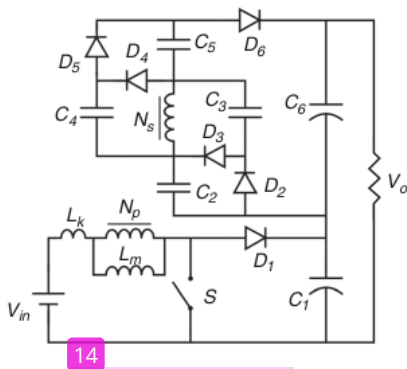
Seo et al. [72] combined the advantages of SC, CI and VMC. The addition of an SC cell reduces stress on the semiconductor components and devices while at the same time raising the voltage gain. When the circuit is coupled with a VMC, the leakage energy from the CI is recirculated to the output terminals with lossless passive clamping performance. For high-voltage amplification, CI and SC combinations are most widely used. Its common feature is that the PWM technique is used to control the voltage-conversion ratio with the least-active switches and magnetic components. For instance, in [25, 129, 132], only one CI controlled by one active switch is used to obtain a high voltage gain. Fig. 11 shows the DC-DC converter circuit using a combination of CI and SC.

## 2.5 Converters with SC and SI

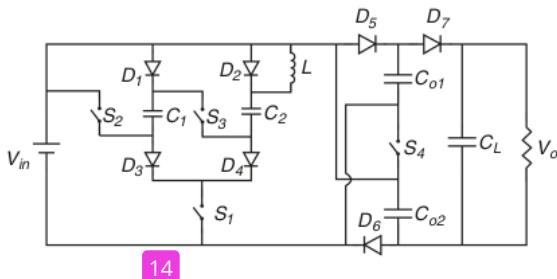
In the SI-based converters proposed in [71, 77, 78], the switches are operated in such a way. Hence, the inductors are connected in parallel and in series during charge and discharge operations. However, the voltage stress on the power switch of this type of converter is relatively higher [65].



**Fig. 10:** Schematic of coupled-inductor family. (a) Basic type; (b) active clamp type; (c) active clamp with snubber; (d) charge pump + active clamp type; (e) high-step-up charge pump + active clamp; (f) three-winding coupled inductor; (g) three-winding with charge pump.



**Fig. 11:** Schematic of a DC-DC boost converter with CI and SC [57].



**Fig. 12:** Schematic of a DC-DC boost converter with SC and SI [133].

It is found that the SI and SC networks can provide an almost similar high voltage gain, but unfortunately the conduction will be slightly higher [77]. On top of that, if the negative terminal of the input and output sides is not connected properly, it can cause the earth leakage current to falsely flow in the system that is connected to the network if the connection between the input and output terminal is not properly made. The size and weight of these converters are relatively large [71, 78]. Fig. 12 shows a typical circuit of an SI- and SC-based DC-DC converter.

### 2.6 Cascading technique

The multistage converter connection is the simplest approach to increasing the voltage gain. The schematic of a cascaded DC-DC

converter is shown in Fig. 13 [134]. As can be seen from the schematic, the family of this converter is built based on cascading several types of boost-type converter (quadratic type) or other high-gain converter (hybrid type).

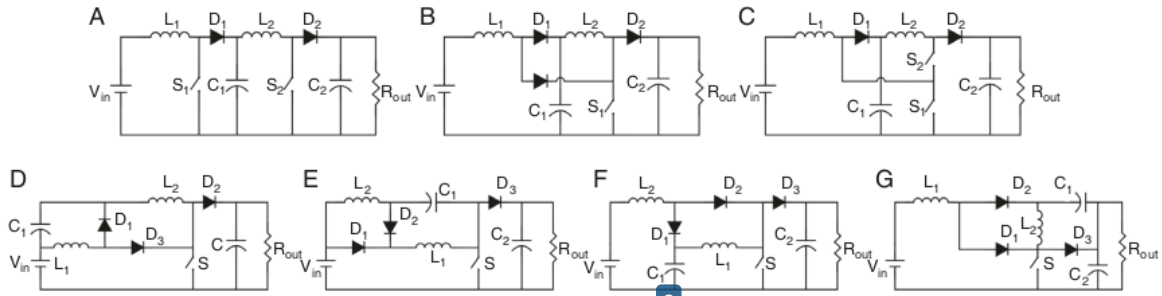
#### 2.6.1 Quadratic boost

As depicted in Fig. 13a, this converter is built by cascading two boost converters [135]. With this type of circuit configuration, it is found that the voltage stress at the first boost is lower compared to the preceding boost. Thus, the first boost converter is capable of operating at a high frequency, which is suitable for low-power-density applications. On the other hand, the second boost circuit operates at a relatively lower switching frequency and further reduces the switching losses. A multistage version of this converter with multistage boost converters is presented in [136]. To reduce the complexity of the circuit, the multistage boost converter switches can be integrated into a single switch in a structure called the quadratic boost converter [137].

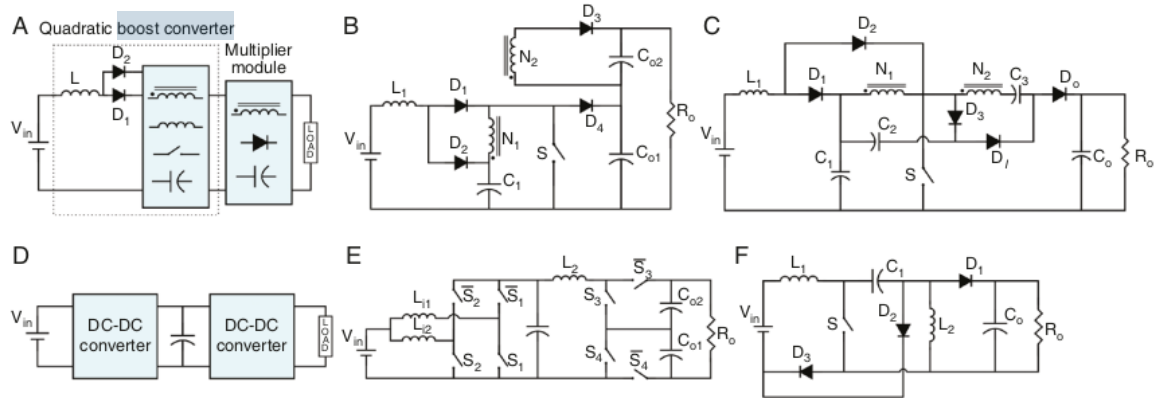
The configuration of the quadratic boost converter is shown in Fig. 13b. Unlike the cascaded boost converter, the operation of this quadratic boost converter must be controlled with two PWM signals, which are generated in a more complex way. However, this problem is mitigated by the multistage version, which only requires one switch to control several boost modules [138]. The converter in Fig. 13c has a high voltage gain and is based on a modified three-level DC-DC converter [139]. Fig. 13d–g shows several other structures that belong to the quadratic boost converter families. One of the advantages of the quadratic boost converter is its capability to allow its duty cycle to have very narrow changes while giving significant changes in the voltage gain. Thus, it shows that the design procedures are simpler yet give high performance on the converter itself [140]. This feature is almost unavailable in conventional PWM boost converters. Lastly, the quadratic boost converter can operate in the absence of the complex magnetic design in the circuits.

Another quadratic boost converter is shown in Fig. 13d [141], which performs admirably in terms of reducing switch voltage stress. Two quadratic boost converters are shown in Fig. 13e and f, with the only difference being the connection of the buffer capacitors [142]. Several other modifications to the conventional quadratic boost converter scheme have been

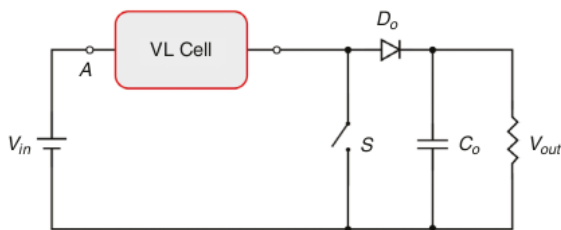




**Fig. 13:** Schematic of cascaded DC-DC converter families. (a) Two boost converters; (b) quadratic boost converter; (c) modified three-level quadratic boost converter; (d)-(g) several families of quadratic boost DC-DC converters.



**Fig. 14:** Schematic of hybrid cascaded DC-DC converter families. (a) Generalized schematic of the quadratic hybrid cascaded converter; (b) and (c) families of quadratic-type converter with hybrid cascaded connection; (d) generalized schematic of the cascaded converters; (e) and (f) families of the conventional converter with hybrid cascaded connection.

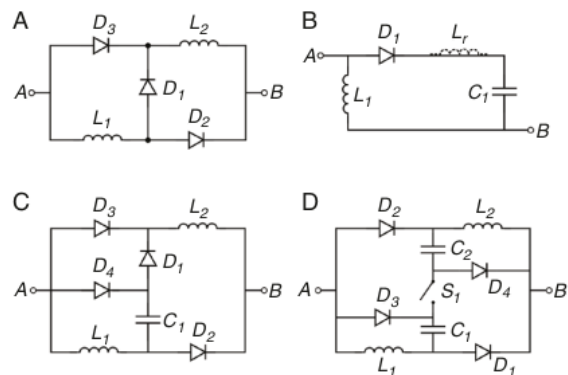


**Fig. 15:** Generalized schematic of a DC-DC boost converter with VL topology.

proposed in other literature, such as in [80], which improves the efficiency, and in [143], which reduces the switching voltage spikes.

### 2.6.2 Hybrid cascaded

This section describes two types of hybrid cascaded converters: the quadratic boost converter cascaded with the multiplier module shown in Fig. 14a and the cascaded DC-DC converter shown in Fig. 14d. For the first type, as discussed in [117] and [144], the DC-DC converters are cascaded with a quadratic multiplier in the first stage, while the second stage at the output consists of a CI module. Other topologies in [51, 145] and [146] combine the CI and VMCs, which gives high gain for the overall circuit. In [118, 147, 148], the quadratic boost converter is cascaded with various types of VMC, again for high-gain application. All these converters are depicted in Fig. 14b and c, respectively.



**Fig. 16:** Various VL cells. (a) Basic SL cell; (b) elementary-lift cell; (c) self-lift SL cell; (d) double self-lift SL cell.

The second type of converter, which is shown again in Fig. 14d, clearly shows two converters cascaded. Several papers on this topic have been published, including [149], which summarized a method for determining several types of DC-DC converters that use ZVS and PWM techniques. In other literature, the quadratic multiplier converter is cascaded with the Zeta converter, which is reported in [148]. The circuit in Fig. 14e proposed by [101] combines the three-level converter discussed earlier with an interleaved multistage hybrid connection. Another converter, as illustrated in Fig. 14f, has developed multistage boost cascading

with a buck-boost converter [102]. It can be summarized that the hybrid cascading method can be implemented throughout several topologies to achieve the main objective, which is high voltage gain. However, the drawback of this topology is the increasing number of total components, which can further increase the losses and costs.

### 2.7 VL technique

As its name implies, this converter, which is used to lift up or increase the output-voltage value of a DC-DC converter, is known as the VL technique. The energy in this capacitor will be used to lift a voltage at any point in the circuit that is required, which is normally the output voltage [150–152]. Using the same method, higher voltage gain can be achieved by increasing the number of charged capacitors that are connected in such a way that they

result in a voltage that is twice or greater than the value obtained using just one charged capacitor. Fig. 15 illustrates the generalized schematic circuit of a DC-DC boost converter with the VL technique. The variation of the VL topology can be obtained in this figure by inserting different types of circuit at the VL cell. Several existing VL topologies have been proposed as depicted in Fig. 16. In Table 3, a comparison of the number of components and corresponding voltage gain for several VL cells is shown.

In terms of performance, the VL technique is one of the best techniques to increase the voltage on the DC-DC converter. Besides having high efficiency, the VL technique is also capable of operating over a wide power range, from low-power applications to high-power applications. The energy-storage elements, namely the inductor and capacitor, play an important role in the performance of the VL technique. It is worth mentioning that high efficiency, high power density, low cost, simple structure and small output-voltage ripple, especially for high voltage values, are the main features of this technique. Many researchers have developed high-step-up non-isolated DC-DC converters for renewable-energy applications using the VL technique [104–109].

### 3 Discussion and comparison for very-high-gain DC-DC converters with low power application

The selection of the appropriate converter can be considered based on input and output power requirements needed by the system. Based on Table 1, there are 20 modified topologies of high-gain DC-DC converters. Then, they are selected into seven

Table 3: Comparison of various VL cells

| VL cell               | Number of semiconductors | Number of passive components | Voltage gain      |
|-----------------------|--------------------------|------------------------------|-------------------|
| Basic SL cell         | 3 D                      | 2 L                          | $\frac{1+D}{1-D}$ |
| Elementary-lift cell  | 1 D                      | 1 L<br>1 C                   | $\frac{2-D}{1-D}$ |
| Self-lift cell        | 4 D                      | 2 L<br>1 C                   | $\frac{2}{1-D}$   |
| Double self-lift cell | 4 D<br>1 S               | 2 L<br>2 C                   | $\frac{3-D}{1-D}$ |

Table 4: Categorization of each topology

| Category            | Number | Topology  |
|---------------------|--------|---|
| VMC                 | 1      | Basic VMC [110]   |
|                     | 2      | Interleaved converter with voltage-multiplier module [43]                                   |
|                     | 3      | A high-step-up converter with a voltage-multiplier module [46]                              |
|                     | 4      | Improved multiplier cell for single-phase high-step-up converter [44]                       |
|                     | 5      | Built-in transformer voltage-multiplier cell for single-switch high-step-up converters [45] |
| Voltage doubler     | 6      | Interleaved converter with voltage-doubler cell [153]                                       |
|                     | 7      | Combination of CI and voltage-doubler circuits [57]   |
|                     | 8      | Single-phase active clamp CI-based converter with extended voltage-doubler cell [52]        |
| CI-based            | 9      | Interleaved high-step-up converter with CI and blocking capacitor [111]                     |
|                     | 10     | Basic CI for high-gain boost converter [154]  |
|                     | 11     | CI and switched clamp capacitor techniques [155]  |
|                     | 12     | CI with soft-switching techniques [112]   |
|                     | 13     | Multi-CI and VMC [116]  |
| CI- and SC-based    | 14     | Basic SI and SC [80]  |
|                     | 15     | CI and switched clamp capacitor techniques [155]  |
|                     | 16     | CI and resonant SC [156]  |
|                     | 17     | Integrating CI and diode-capacitor techniques [51]  |
| SI- and SC-based    | 18     | Modular, extendable and high-gain DC-DC converter with SI and SC [157]                      |
|                     | 19     | SI- and SC-based high-gain hybrid DC-DC converter [158]                                     |
|                     | 20     | Modified active SI and SC cells [80]  |
|                     | 21     | Active SI and passive SC networks [159]   |
| Cascaded techniques | 22     | Cascaded boost converters with sliding-mode control [160]                                   |
|                     | 23     | Cascaded high-step-up DC-DC converter with single switch [117]                              |
|                     | 24     | Conventional cascaded boost converter design for solar energy systems [161]                 |
|                     | 25     | Cascade synchronous boost DC-DC converter with zero-voltage switching [162]                 |
| VL techniques       | 26     | Coupled inductor and VL technique [152]   |
|                     | 27     | Combination of VL, clamp mode, CI and VMC [105]   |

**Table 5:** Comparison of the various topologies based on each reference

| Topology number | Number of components |   |   |   |       | Voltage stress on switch | Maximum efficiency (%) | Voltage gain (×) | Tested frequency (kHz) | Tested power (W) |
|-----------------|----------------------|---|---|---|-------|--------------------------|------------------------|------------------|------------------------|------------------|
|                 | L                    | C | S | D | Total |                          |                        |                  |                        |                  |
| 1               | 2                    | 3 | 1 | 3 | 9     | N/A                      | 95.0                   | 16.6             | 50                     | 100              |
| 2               | 4                    | 5 | 2 | 5 | 16    | $V_o/41$                 | 97.1                   | 9.5              | 40                     | 400              |
| 3               | 4                    | 4 | 2 | 4 | 14    | $V_o/2(m+1)$             | 96.8                   | 9.5              | 40                     | 400              |
| 4               | 2                    | 5 | 2 | 4 | 13    | $V_{out}/2$              | 96.5                   | 15.83            | 100                    | 500              |
| 5               | 3                    | 4 | 1 | 3 | 11    | N/A                      | 96.6                   | 10.5             | 100                    | 500              |
| 6               | 2                    | 3 | 2 | 4 | 11    | $V_{out}/2$              | N/A                    | 13.33            | 100                    | 133              |
| 7               | 2                    | 2 | 2 | 4 | 10    | $V_{out}/2$              | 92.8                   | 8.33             | 25                     | 250              |
| 8               | 2                    | 3 | 2 | 2 | 9     | $V_o/(N+1)$              | 96.9                   | 9.5              | 100                    | 500              |
| 9               | 4                    | 4 | 4 | 4 | 16    | N/A                      | 96.0                   | 7.9              | 100                    | 1000             |
| 10              | 2                    | 2 | 1 | 2 | 7     | $V_m^*2$                 | 95.0                   | 12.9             | N/A                    | 300              |
| 11              | 3                    | 5 | 1 | 6 | 15    | $1/7^*V_o$               | 96.2                   | 16.7             | 50                     | 150              |
| 12              | 5                    | 4 | 2 | 2 | 13    | $V_m/1-D$                | 96.4                   | 15.0             | 100                    | 200              |
| 13              | 6                    | 5 | 2 | 6 | 19    | $V_o/2(N+1)$             | 97.2                   | 18.2             | 50                     | 1000             |
| 14              | 2                    | 5 | 2 | 6 | 15    | $1/2(1+N)^*V_o$          | 97.6                   | 10.8             | 100                    | 1000             |
| 15              | 2                    | 5 | 1 | 6 | 14    | $1/7^*V_o$               | 96.2                   | 16.7             | 50                     | 150              |
| 16              | 1                    | 5 | 2 | 4 | 12    | $V_m/1-D$                | 93.6                   | 8.3              | 50                     | 200              |
| 17              | 2                    | 4 | 1 | 5 | 12    | $V_{out}/2+N$            | 94.0                   | 21.1             | 40                     | 500              |
| 18              | 4                    | 5 | 2 | 7 | 18    | $V_{out}-V_m/2$          | 94.0                   | 12.7 (D = 0.67)  | 50                     | 250              |
| 19              | 2                    | 2 | 2 | 7 | 13    | $0.45^*V_{out}$          | 94.0                   | 12.7 (D = 0.67)  | 50                     | 120              |
| 20              | 4                    | 3 | 4 | 7 | 18    | M + 4/8 & M/4            | 95.0                   | 30               | 50                     | 200              |
| 21              | 3                    | 3 | 2 | 2 | 10    | M/1 + 3D                 | 95.5                   | 13               | 50                     | 200              |
| 22              | 2                    | 2 | 2 | 2 | 8     | N/A                      | 95.0                   | 21               | 50                     | 1000             |
| 23              | 2                    | 3 | 1 | 4 | 10    | $V_{out}/1+nD$           | 93.3                   | 20               | 40                     | 280              |
| 24              | 2                    | 2 | 1 | 3 | 8     | N/A                      | 92.0                   | 11.8             | 20                     | 300              |
| 25              | 3                    | 2 | 2 | 3 | 10    | N/A                      | 93.0                   | 8.3              | 50                     | 200              |
| 26              | 3                    | 4 | 1 | 3 | 11    | $1/1-D^*V_{in}$          | 93.9                   | 8.3              | 50                     | 35               |
| 27              | 4                    | 6 | 1 | 7 | 18    | $1/1-D^*V_{in}$          | 96.8                   | 15.4             | 50                     | 300              |

50 topologies of high-voltage-gain DC-DC converters with a conversion ratio of  $>15$ . These topologies include VMCs, voltage doublers, CI, CI and switch capacitor, SI and SC, cascaded converter and VL techniques. Each technique and topology of the selected very-high-gain DC-DC converter has its own characteristics, advantages and disadvantages.

Further studies have been carried out on the seven topologies. There are 27 references, which were elaborated to support an in-depth discussion about the seven topologies, related to their modification and development. Table 4 shows the categorization of these topologies with references that justify them. Table 5 presents the comparison of each topology based on the number of components, voltage stress on the switch, maximum efficiency, voltage gain, tested frequency and tested load power.

The VMC-based DC-DC converter topology has the advantages of a simple structure, being modular and having low-voltage stress on the switch. However, on the other hand, it also has drawbacks such as limited voltage gain (based on the number of components), a greater number of components and poor voltage regulation. The voltage-doubler-based DC-DC converter topology is a variation of the VMC circuit. It has a voltage multiplier of a factor of 2. However, the voltage-doubler circuit for DC-DC converters has a simpler topology, fewer components and relatively higher efficiency than VMC. Also, compared to VMC, the ratio of voltage gain that can be made using a voltage doubler is limited.

The construction of the CI-based DC-DC converter has varied, but it is classified as a converter topology, which is

quite complex. It is because of the need for complicated CI manufacturing. While the efficiency level is the highest compared to other converter topologies, the power that can be handled is also relatively higher than with other converters. The CI- and SC-based DC-DC converter topology has a relatively higher construction and level of complexity. It is because this type of converter requires a higher number of switches and other components. The advantage of the converter with CI and SC topology is that it has high efficiency while the voltage stress is low. The SI- and SC-based DC-DC converter topology has the advantage that the voltage stress on the semiconductor components is low, and the efficiency is high. On the other hand, the SI- and SC-based converter topologies require a relatively large number of switches, so that the system becomes more complex.

The cascade-based DC-DC converter topology has various variations. The advantage of this topology is its simple and modular structure, making it easy to apply. However, this causes an increase in the number of needed components along with the higher voltage-gain requirements. In addition, the efficiency of this converter will decrease as more active and passive components are used. The DC-DC converter with the VL technique topology has advantages from various sides, namely simple converter structure, fewer components compared with other converter topologies and higher efficiency. The value of the voltage increases of the VL-based DC-DC converter is also high and the voltage stress is low.

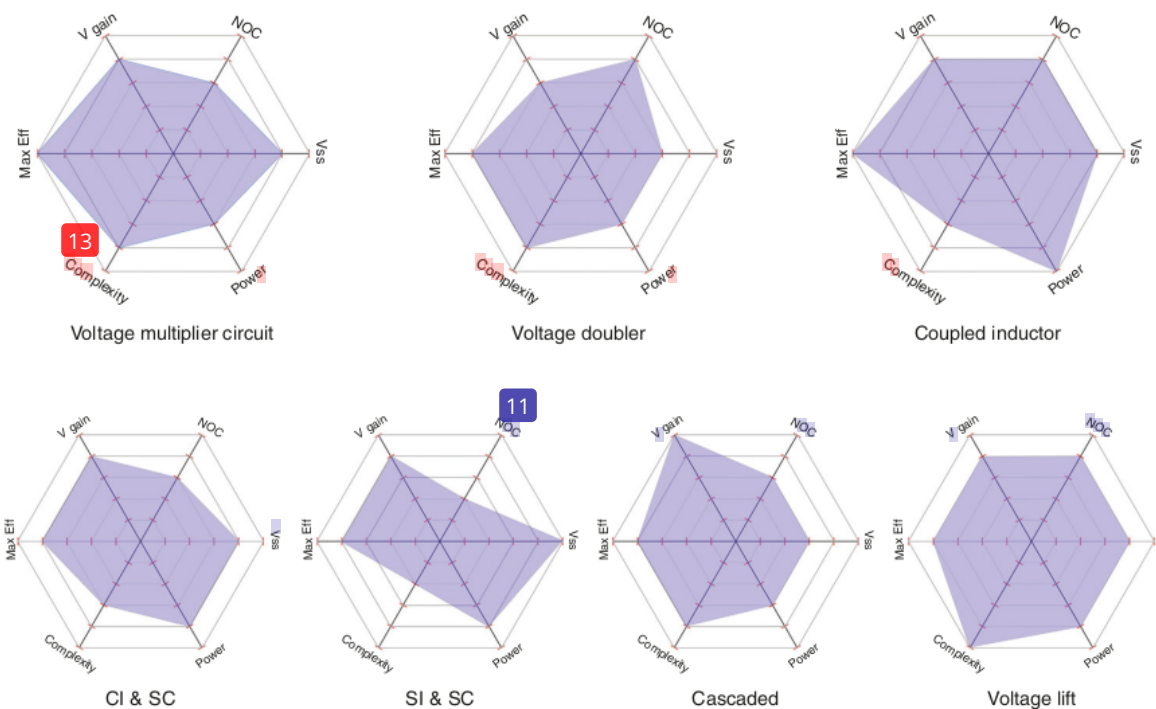


Fig. 17: Performance comparisons of each converter topology.

The final comparison of each converter has been discussed. There are six parameters as the focus of comparison, namely number of components (NOC), the voltage stress on the switch ( $V_{ss}$ ), power-handling capability, complexity, maximum efficiency and voltage gain. It should be underlined that the NOC,  $V_{ss}$  and complexity parameters have inverse or negative values. That means the larger the position, the smaller the value appears on the graph, so the best converter performance assessment can be seen by measuring the total area of the rating parameter values of each converter. The overall comparison of the converter parameters discussed is shown in Fig. 17.

## 4 Conclusion

In this paper, the performance of several DC–DC converter topologies for PV generation applications has been studied. The main challenges of DC–DC converter topologies for low-power solar photovoltaic applications are discussed. Twenty HGLP DC–DC converter topologies are reviewed and seven prospective topologies are selected. The selected converters have voltage gain of >15 times. There are 27 references, which were elaborated to support an in-depth discussion about the seven topologies, related to their modification and development. The comparison among the seven converters is highlighted based on the NOC, hardware complexity, maximum coverage efficiency and voltage stress on the switch. Finally, the salient features of the converters are also summarized. The comparison results from this paper are expected to be a reference for researchers or practitioners to select and integrate the right converter topology for the needs of solar PV-sourced power-conversion applications. In the future, it will also be easier for policymakers to

think about the topologies of converters based on their needs and circumstances.

## 4 Funding

This research was funded through a World Class Research (WCR) scheme from the Ministry of Education, Culture, Research, and Technology (formerly Ministry of Research and Technology/National Agency for Research and Innovation), Republic of Indonesia, with the contract number: 002/SKP.TT.PD/LPPM/IV/2021 and supported by the Embedded System and Power Electronics Research Group (ESPERG).

## Acknowledgements

All authors discussed the results and contributed to the final manuscript. T.S.: conceptualization, data curation, formal analysis, funding acquisition, methodology, resources, supervision, validation, writing—original draft preparation, and writing—review and editing. H.S.P.: data curation, formal analysis, methodology, visualization, writing—original draft preparation, and writing—review and editing. N.S.W.: formal analysis, validation, writing—original draft preparation, and writing—review and editing. S.P.: formal analysis, validation, writing—original draft preparation, and writing—review and editing. M.R.B.S.: formal analysis, validation, writing—original draft preparation, and writing—review and editing.

## Conflict of interest statement

We have no conflicts of interest to disclose. All authors declare that they have no conflicts of interest.

## References

- [1] Bogdanov D, Ram M, Aghahosseini A, et al. Low-cost renewable electricity as the key driver of the global energy transition towards sustainability. *Energy*, 2024, 1204, 2021:67.
- [2] Zhang Z, Ding T, Zhou Q, et al. A review of technologies and applications on versatile energy storage systems. *Renew Sustain Energy Rev*, 2021, 148:111263.
- [3] Gielen D, Boshell F, Saygin D, et al. The role of renewable energy in the global energy transformation. *Energy Strategy Reviews*, 2019, 24:38–50.
- [4] Xu X, Wei Z, Ji Q, et al. Global renewable energy development: influencing factors, trend predictions and countermeasures. *Resources Pol*, 2019, 63:101470.
- [5] Shayeghi H, Pourjafar S, Maalandish M, et al. Non-isolated DC-DC converter with a high-voltage conversion ratio. *IET Power Electronics Research*, 2020, 13:3797–3806.
- [6] Li W, Lv X, Deng Y, et al. A review of non-isolated high step-up DC/DC converters in renewable energy applications. In: *2009 Twenty-Fourth Annual IEEE Applied Power Electronics Conference and Exposition*. Washington, DC, 15–19 February 2009, 364–369.
- [7] Pourjafar S, Shayeghi H, Madadi Kojabadi H, et al. A coupled inductor based high voltage gain DC-DC converter using interleaved voltage multiplier cells. *Iranian Journal of Electrical and Electronic Engineering*, 2020, 16:1–12.
- [8] Amir A, Amir A, Che HS, et al. Comparative analysis of high voltage gain DC-DC converter topologies for photovoltaic systems. *Renew Energy*, 2019, 136:1147–1163.
- [9] Tomaszuk A, Krupa A. High efficiency high step-up DC/DC converters: a review. *Bull Pol Acad Sci Tech Sci*, 2011, 59:475–483.
- [10] Forouzesh M, Siwakoti YP, Gorji SA, et al. A survey on voltage boosting techniques for step-up DC-DC converters. In: *ECCE 2016: IEEE Energy Conversion Congress and Exposition, Proceedings*, Milwaukee, WI, USA, 18–22 September 2016, 1–8.
- [11] Tofoli FL, De Souza Oliveira D, Torrico-Bascopé RP, et al. Novel nonisolated high-voltage gain DC-DC converters based on 3SSC and VMC. *IEEE Trans Power Electron*, 2012, 27:3897–3907.
- [12] Sri Revathi B, Prabhakar M. Non isolated high gain DC-DC converter topologies for PV applications: a comprehensive review. *Renew Sustain Energy Rev*, 2016, 66:920–933.
- [13] Shrivastava V, Shimi S, Gupta AK. A literature review on high gain DC-DC boost converter. *International Journal of Research in Advent Technology*, 2019, 7:397–404.
- [14] Gholizadeh H, Aboufazel S, Rafee Z, et al. A non-isolated high gain DC-DC converters with positive output voltage and reduced current stresses. In: *2020 11th Power Electronics, Drive Systems, and Technologies Conference, PEDSTC 2020*, Tehran, Iran, 4–6 February 2020, 1–6.
- [15] Chandrasekar B, Nallaperumal C, Padmanaban S, et al. Non-isolated high-gain triple port DC-DC buck-boost converter with positive output voltage for photovoltaic applications. *IEEE Access*, 2020, 8:113649–113666.
- [16] Rahman N, Aiman U, Alam MS, et al. A non-isolated DC-DC boost converter with high gain ability for renewable energy sources applications. *2020 International Conference on Decision Aid Sciences and Application, DASA 2020*, 2020:137–141.
- [17] Subrata AC, Sutikno T, Padmanaban S, et al. Maximum power point tracking in PV arrays with high gain DC-DC boost converter. In: *International Conference on Electrical Engineering, Computer Science and Informatics (EECSI)*, Bandung, Indonesia, 18–20 September 2019, 358–362.
- [18] Sarvghadi P, Varjani AY. A new topology of high step-up non-isolated DC-DC converter with modifying in VMC Network. In: *2021 12th Power Electronics, Drive Systems, and Technologies Conference (PEDSTC)*, Tabriz, Iran, 2–4 February 2021, 1–5.
- [19] Bhaskar MS, Meraj M, Iqbal A, et al. High gain transformer-less double-duty-triple-mode DC/DC converter for DC microgrid. *IEEE Access*, 2019, 7:36353–36367.
- [20] Yu SY, Kwasinski A. Investigation of multiple-input converters bi-directional power flow characteristics. In: *Conference Proceedings: IEEE Applied Power Electronics Conference and Exposition: APEC*, Long Beach, CA, USA, 17–21 March 2013, 1095–1102.
- [21] Bhaskar MS, Padmanaban S, Blaabjerg F. A multistage DC-DC step-up self-balanced and magnetic component-free converter for photovoltaic applications: hardware implementation. *Energies*, 2017, 10:719.
- [22] Bhaskar MS, Alammari R, Meraj M, et al. A new triple-switch-triple-mode high step-up converter with wide range of duty cycle for DC microgrid applications. *IEEE Trans Ind Appl*, 2019, 55:7425–7441.
- [23] Jacobson MZ, Jadhav V. World estimates of PV optimal tilt angles and ratios of sunlight incident upon tilted and tracked PV panels relative to horizontal panels. *Sol Energy*, 2018, 169:55–66.
- [24] Mirza AF, Mansoor M, Ling Q, et al. A Salp-Swarm Optimization based MPPT technique for harvesting maximum energy from PV systems under partial shading conditions. *Energy Convers Manage*, 2020, 209:112625.
- [25] Verma D, Nema S, Shandilya AM, et al. Maximum power point tracking (MPPT) techniques: recapitulation in solar photovoltaic systems. *Renew Sustain Energy Rev*, 2016, 54:1018–1034.
- [26] Seyedmahmoudian M, Horan B, Rahmani R, et al. Efficient photovoltaic system maximum power point tracking using a new technique. *Energies*, 2016, 9:147.
- [27] Allaoua B, Abdessalam A, Brahim G, et al. Efficiency of particle swarm optimization applied on fuzzy logic DC motor speed control. *Serbian Journal of Electrical Engineering*, 2008, 5:247–262.
- [28] Rao C, Hajjiah A, El-Meligy MA, et al. A novel high-gain soft-switching DC-DC converter with improved PO MPPT for photovoltaic applications. *IEEE Access*, 2021, 9:58790–58806.
- [29] Abdel-Rahim O. A new high gain DC-DC converter with model-predictive-control based MPPT technique for photovoltaic systems. *CPSSTransactions on Power Electronics and Applications*, 2020, 5:191–200.
- [30] Sunddararaj SP, Ramalingam S. High gain DC-DC converter with enhanced adaptive MPPT for PV applications. *Mehran Univ Res J Eng Technol*, 2019, 38:541–556.
- [31] Paul S, Jacob KP, Jacob J. Solar photovoltaic system with high gain DC to DC converter and maximum power point tracking controller. *Journal of Green Engineering*, 2020, 10:2956–2972.
- [32] Mopidevi S. High gain DC/DC converter with IC MPPT algorithm for DC micro-grid applications. *Information Technology in Industry*, 2021, 9:244–250.
- [33] Lakshmi M, Hemamalini S. Coordinated control of MPPT and voltage regulation using single-stage high gain DC-DC converter in a grid-connected PV system. *Electr Power Syst Res*, 2019, 169:65–73.
- [34] Sharon P, Kathirvelu KP, Balasubramanian R. Design and implementation of full bridge modular DC-DC converter for solar conversion systems. *ARN Journal of Engineering and Applied Sciences*, 1243, 2018:1250.
- [35] Koç Y, Birbir Y, Bodur H. Non-isolated high step-up DC/DC converters: an overview. *Alexandria Engineering Journal*, 1091, 2022:1132.
- [36] Zhang Y, Sun JT, Wang YF. Hybrid boost three-level DC-DC converter with high voltage gain for photovoltaic generation systems. *IEEE Trans Power Electron*, 2013, 28:3659–3664.

- [37] Rodrigues JP, Mussa SA, Barbi I, et al. Three-level zero-voltage switching pulse-width modulation DC-DC boost converter with active clamping. *IET Power Electron*, 2010, 3:345–354.
- [38] Silveira GC, Tofoli FL, Bezerra LDS, et al. A nonisolated DC-DC boost converter with high voltage gain and balanced output voltage. *IEEE Trans Ind Electron*, 2014, 61:6739–6746.
- [39] Lai CM, Pan CT, Cheng MC. High-efficiency modular high step-up interleaved boost converter for DC-microgrid applications. *IEEE Trans Ind Appl*, 2012, 48:161–171.
- [40] Fardoun AA, Ismail EH. Ultra step-up DC-DC converter with reduced switch stress. *IEEE Trans Ind Appl*, 2010, 46:2025–2034.
- [41] Xiong S, Tan S-C. Cascaded high-voltage-gain bidirectional switched-capacitor DC-DC converters for distributed energy resources applications. *IEEE Trans Power Electron*, 2016, 32:1220–1231.
- [42] Nouri T, Babaei E, Hosseini SH. A generalized ultra step-up DC-DC converter for high voltage application with design considerations. *Electr Power Syst Res*, 2013, 105:71–84.
- [43] Tseng KC, Huang CC. High step-up high-efficiency interleaved converter with voltage multiplier module for renewable energy system. *IEEE Trans Ind Electron*, 2014, 61:1311–1319.
- [44] Zhao Y, Xiang X, Li C, et al. Single-phase high step-up converter with improved multiplier cell suitable for half-bridge-based PV inverter system. *IEEE Trans Power Electron*, 2014, 29:2807–2816.
- [45] Deng Y, Rong Q, Li W, et al. Single-switch high step-up converters with built-in transformer voltage multiplier cell. *IEEE Trans Power Electron*, 2012, 27:3557–3567.
- [46] Tseng KC, Huang CC, Shih WY. A high step-up converter with a voltage multiplier module for a photovoltaic system. *IEEE Trans Power Electron*, 2013, 28:3047–3057.
- [47] Altimania M, Alzahrani A, Ferdowsi M, et al. Operation and analysis of non-isolated high-voltage-gain DC-DC boost converter with voltage multiplier in the DCM. In: *2019 IEEE Power and Energy Conference at Illinois, PECEI 2019*, Champaign, IL, USA 28 February–1 March 2019, 1–6.
- [48] Alzahrani A, Ferdowsi IM, Shamsi P. A family of scalable non-isolated interleaved DC-DC boost converters with voltage multiplier cells. *IEEE Access*, 2019, 7:11707–11721.
- [49] Altimania M, Sanjari Nia MS, Ferdowsi M, et al. A new topology of a high-voltage-gain DC-DC converter based on modified Greinacher voltage multiplier. *2020 IEEE Kansas Power and Energy Conference, KPEC 2020*, Manhattan, KS, USA, 25–26 April 2020.
- [50] Athikkal S, Sehgal K, Mohan U, et al. A voltage multiplier based non isolated high gain DC-DC converter for DC bus application. In: *International Conference on Futuristic Technologies in Control Systems and Renewable Energy, ICFRC 2020*, Malappuram, India, 23–24 September, 2020, 1–6.
- [51] Hu X, Gong C. A high voltage gain DC-DC converter integrating coupled-inductor and diode-capacitor techniques. *IEEE Trans Power Electron*, 2014, 29:789–800.
- [52] Zhao Y, Li W, He X. Single-phase improved active clamp coupled-inductor-based converter with extended voltage doubler cell. *IEEE Trans Power Electron*, 2012, 27:2869–2878.
- [53] Lin BR, Dong JY. New zero-voltage switching DC-DC converter for renewable energy conversion systems. *IET Power Electron*, 2012, 5:393–400.
- [54] Yang L-S, Liang T-J, Lee H-C, et al. Novel high step-up DC-DC converter with coupled-inductor and voltage-doubler circuits. *IEEE Trans Ind Electron*, 2010, 58:4196–4206.
- [55] Lee SW, Do HL. Single-switch high step-up DC-DC converter with a resonant voltage doubler and low duty ratio. *International Review of Electrical Engineering*, 2020, 15:1–8.
- [56] Rahimi T, Ding L, Gholizadeh H, et al. An ultra high step-up DC-DC converter based on the boost, Luo, and voltage doubler structure: mathematical expression, simulation, and experimental. *IEEE Access*, 2021, 9:132011–132024.
- [57] Hsieh YP, Chen JF, Liang TJ, et al. Novel high step-up DC-DC converter with coupled-inductor and switched-capacitor techniques. *IEEE Trans Ind Electron*, 2012, 59:998–1007.
- [58] Babaei E, Saadatizadeh Z. High voltage gain DC-DC converters based on coupled inductors. *IET Power Electron*, 2018, 11:434–452.
- [59] Chen SM, Liang TJ, Yang LS, et al. A safety enhanced, high step-up DC-DC converter for AC photovoltaic module application. *IEEE Trans Power Electron*, 2012, 27:1809–1817.
- [60] Shaneh M, Niroomand M, Adib E. Non-isolated interleaved bidirectional DC-DC converter with high step voltage ratio and minimum number of switches. *IET Power Electron*, 2019, 12:1510–1520.
- [61] Abadifard A, Ghavidel P, Hosseini SH, et al. Non-isolated single-switch Zeta based high-step up DC-DC converter with coupled inductor. In: *Proceedings of 2021 31st Australasian Universities Power Engineering Conference, AUPEC 2021*, Perth, Australia, 26–30 September 2021, 1–6.
- [62] Mahmoudi M, Ajami A, Babaei E. A non-isolated high step-up DC-DC converter with integrated 3 winding coupled inductor and reduced switch voltage stress. *Int J Circuit Theory Appl*, 2018, 46:1879–1898.
- [63] Qi X, Zhang D, Pan X, et al. A coupled inductors based high gain non-isolated three-port DC-DC converter. In: *Proceedings: 2018 IEEE International Power Electronics and Application Conference and Exposition, PEAC 2018*, 2018, 1–6.
- [64] Fan X, Sun H, Yuan Z, et al. High voltage gain DC/DC converter using coupled inductor and VM techniques. *IEEE Access*, 2020, 8:131975–131987.
- [65] Sri Revathi B, Mahalingam P. Non-isolated high gain DC-DC converter with low device stress and input current ripple. *IET Power Electron*, 2018, 11:2553–2562.
- [66] Amir A, Che HS, Amir A, et al. Transformerless high gain boost and buck-boost DC-DC converters based on extendable switched capacitor (SC) cell for stand-alone photovoltaic system. *Sol Energy*, 2018, 171:212–222.
- [67] Nguyen M-K, Duong T-D, Lim Y-C. Switched-capacitor-based dual-switch high-boost DC-DC converter. *IEEE Trans Power Electron*, 2017, 33:4181–4189.
- [68] Hsieh YP, Chen JF, Liang TJ, et al. Novel high step-up DC-DC converter for distributed generation system. *IEEE Trans Ind Electron*, 2013, 60:1473–1482.
- [69] Zhao Y, Li W, Deng Y, et al. High step-up boost converter with passive lossless clamp circuit for non-isolated high step-up applications. *IET Power Electron*, 2011, 4:851–859.
- [70] Qian W, Cao D, Cintron-Rivera JG, et al. A switched-capacitor DC-DC converter with high voltage gain and reduced component rating and count. *IEEE Trans Ind Appl*, 2012, 48:1397–1406.
- [71] Tang Y, Wang T, Fu D. Multicell switched-inductor/switched-capacitor combined active-network converters. *IEEE Trans Power Electron*, 2015, 30:2063–2072.
- [72] Seo SW, Ryu JH, Kim Y, et al. Non-Isolated high step-up DC/DC converter with coupled inductor and switched capacitor. *IEEE Access*, 2020, 8:217108–217122.
- [73] Almalaq Y, Matin M. Three topologies of a non-isolated high gain switched-inductor switched-capacitor step-up Cuk converter for renewable energy applications. *Electronics (Switzerland)*, 2018, 7:94.
- [74] Salehi N, Mirtalaei SMM, Mirenayat SH. A high step-up DC-DC soft-switched converter using coupled inductor and switched

- capacitor. *International Journal of Electronics Letters*, 2018, 6:260–271.
- [75] Ding J, Zhao S, Yin H, et al. High step-up DC/DC converters based on coupled inductor and switched capacitors. *IET Power Electronics*, 2020, 13:3099–3109.
- [76] Ye Y, Chen S, Yi Y. Switched-capacitor and coupled-inductor-based high step-up converter with improved voltage gain. *IEEE Journal of Emerging and Selected Topics in Power Electronics*, 2021, 9:754–764.
- [77] Berkovich Y, Axelrod B. Switched-coupled inductor cell for DC-DC converters with very large conversion ratio. *IET Power Electron*, 2011, 4:309–315.
- [78] Tang Y, Fu D, Wang T, et al. Hybrid switched-inductor converters for high step-up conversion. *IEEE Trans Ind Electron*, 2014, 62:1480–1490.
- [79] Almalaq Y, Alateeq A, Matin M. A non-isolated high gain switched-inductor switched-capacitor step-up converter for renewable energy applications. In: *IEEE International Conference on Electro Information Technology*, Rochester, MI, USA, 3–5 May 2018, 134–137.
- [80] de Andrade JM, Coelho RF, Lazzarin TB. High step-up DC-DC converter based on modified active switched-inductor and switched-capacitor cells. *IET Power Electron*, 2020, 13:3180–3187.
- [81] Andrade AMSS, Faistel TMK, Toebe A, et al. Family of transformerless active switched inductor and switched capacitor Ćuk DC-DC converter for high voltage gain applications. *IEEE Journal of Emerging and Selected Topics in Industrial Electronics*, 2021, 2:390–398.
- [82] Salvador MA, De Andrade JM, Lazzarin TB, et al. Non-isolated high-step-up DC-DC converter derived from switched-inductors and switched-capacitors. *IEEE Trans Ind Electron*, 2020, 67:8506–8516.
- [83] Alcazar YJA, De Souza Oliveira D, Tofoli FL, et al. DC-DC nonisolated boost converter based on the three-state switching cell and voltage multiplier cells. *IEEE Trans Ind Electron*, 2013, 60:4438–4449.
- [84] Barreto LHSC, Praca PP, Oliveira DS, et al. High-voltage gain boost converter based on three-state commutation cell for battery charging using PV panels in a single conversion stage. *IEEE Trans Power Electron*, 2013, 29:150–158.
- [85] Chen Y-M, Huang AQ, Yu X. A high step-up three-port DC-DC converter for stand-alone PV/battery power systems. *IEEE Trans Power Electron*, 2013, 28:5049–5062.
- [86] Hwu KI, Yau YT. High step-up converter based on charge pump and boost converter. *IEEE Trans Power Electron*, 2012, 27:2484–2494.
- [87] Parastar A, Gandomkar A, Seok J-K. High-efficiency multilevel flying-capacitor DC/DC converter for distributed renewable energy systems. *IEEE Trans Ind Electron*, 2015, 62:7620–7630.
- [88] Rosas-Caro JC, Ramirez JM, Peng FZ, et al. A DC-DC multilevel boost converter. *IET Power Electron*, 2010, 3:129–137.
- [89] Walker GR, Sernia PC. Cascaded DC-DC converter connection of photovoltaic modules. In: *PESC Record: IEEE Annual Power Electronics Specialists Conference*, Cairns, QLD, Australia, 23–27 June 2002, 24–29.
- [90] Corrêa DR, de Moraes AS, Tofoli FL. Non-isolated high step-up/step-down quadratic converter for light-emitting diode driving. *Int J Circuit Theory Appl*, 2021, 49:2699–2718.
- [91] Andrade AMSS, Dreher JR, Martins MLDS. High step-up integrated DC-DC converters: methodology of synthesis and analysis. In: *2013 Brazilian Power Electronics Conference, COBEP 2013: Proceedings*, Gramado, Brazil, 27–31 October 2013, 50–57.
- [92] Marimuthu M, Vijayalakshmi S, Shenbagalakshmi R. A novel non-isolated single switch multilevel cascaded DC-DC boost converter for multilevel inverter application. *J Electr Eng Technol*, 2020, 15:2157–2166.
- [93] Lee K-J, Park B-G, Kim R-Y, et al. Nonisolated ZVT two-inductor boost converter with a single resonant inductor for high step-up applications. *IEEE Trans Power Electron*, 2011, 27:1966–1973.
- [94] Leu C-S, Huang P-Y, Li M-H. A novel dual-inductor boost converter with ripple cancellation for high-voltage-gain applications. *IEEE Trans Ind Electron*, 2010, 58:1268–1273.
- [95] Hu X, Gong C. A high gain input-parallel output-series DC/DC converter with dual coupled inductors. *IEEE Trans Power Electron*, 2014, 30:1306–1317.
- [96] Li W, He X. High step-up soft switching interleaved boost converters with cross-winding-coupled inductors and reduced auxiliary switch number. *IET Power Electron*, 2009, 2:125–133.
- [97] Li W, Zhao Y, Wu J, et al. Interleaved high step-up converter with winding-cross-coupled inductors and voltage multiplier cells. *IEEE Trans Power Electron*, 2009, 27:133–143.
- [98] Li W, Xiang X, Li C, et al. Interleaved high step-up ZVT converter with built-in transformer voltage doubler cell for distributed PV generation system. *IEEE Trans Power Electron*, 2012, 28:300–313.
- [99] Li W, Li W, He X, et al. General derivation law of nonisolated high-step-up interleaved converters with built-in transformer. *IEEE Trans Ind Electron*, 2011, 59:1650–1661.
- [100] Li W, Li W, Xiang X, et al. High step-up interleaved converter with built-in transformer voltage multiplier cells for sustainable energy applications. *IEEE Trans Power Electron*, 2013, 29:2829–2836.
- [101] Park S, Choi S. Soft-switched CCM boost converters with high voltage gain for high-power applications. *IEEE Trans Power Electron*, 2010, 25:1211–1217.
- [102] Park S, Park Y, Choi S, et al. Soft-switched interleaved boost converters for high step-up and high-power applications. *IEEE Trans Power Electron*, 2011, 26:2906–2914.
- [103] Yoon C, Kim J, Choi S. Multiphase DC-DC converters using a boost-half-bridge cell for high-voltage and high-power applications. *IEEE Trans Power Electron*, 2010, 26:381–388.
- [104] Tseng K-C, Huang C-C, Shih W-Y. A high step-up converter with a voltage multiplier module for a photovoltaic system. *IEEE Trans Power Electron*, 2012, 28:3047–3057.
- [105] Chen YT, Tsai MH, Liang RH. DC-DC converter with high voltage gain and reduced switch stress. *IET Power Electron*, 2014, 7:2564–2571.
- [106] Azar MA, Shahir FM, Taher B. New single switch topology for non-isolated boost DC-DC converter based on voltage-lift technique. In: *2018 IEEE 12th International Conference on Compatibility, Power Electronics and Power Engineering (CPE-POWERENG 2018)*. Doha, Qatar, 10–12 April 2018, 1–6.
- [107] Aghdam Meinagh FA, Ranjbarizad V, Babaei E. New non-isolated high voltage gain single-switch DC-DC converter based on voltage-lift technique. In: *2019 10th International Power Electronics, Drive Systems and Technologies Conference, PEDSTC 2019*, Shiraz, Iran, 12–14 February 2019, 219–223.
- [108] Mohammadzadeh Shahir F, Babaei E, Farsadi M. Analysis and design of voltage-lift technique-based non-isolated boost DC-DC converter. *IET Power Electron*, 2018, 11:1083–1091.
- [109] Rajabi A, Rajaei A, Tehrani VM, et al. A non-isolated high step-up DC-DC converter using voltage lift technique: analysis, design, and implementation. *IEEE Access*, 2022, 10:6338–6347.
- [110] Prudente M, Pfitscher LL, Ermendoerfer G, et al. Voltage multiplier cells applied to non-isolated DC-DC converters. *IEEE Trans Power Electron*, 2008, 23:871–887.

- [111] Zhao Y, Dai J, Zong S, et al. Interleaved high step-up converter with coupled inductor and blocking capacitor. In: 6th IET International Conference on Power Electronics, Machines and Drives (PEMD 2012), Bristol, UK, 27–29 March 2012, 1–5.
- [112] Do HL. A soft-switching DC/DC converter with high voltage gain. *IEEE Trans Power Electron*, 2010, 25:1193–1200.
- [113] Do HL. A zero-voltage-switching DC-DC converter with high voltage gain. *IEEE Trans Power Electron*, 2011, 26:1578–1586.
- [114] Hsieh YP, Chen JF, Liang TJ, et al. Analysis and implementation of a novel single-switch high step-up DC-DC converter. *IET Power Electron*, 2012, 5:11–21.
- [115] Wai R-J, Lin C-Y, Lin C-Y, et al. High-efficiency power conversion system for kilowatt-level stand-alone generation unit with low input voltage. *IEEE Trans Ind Electron*, 2008, 55:3702–3714.
- [116] He L, Liao Y. An advanced current-autobalance high step-up converter with a multicoupled inductor and voltage multiplier for a renewable power generation system. *IEEE Trans Power Electron*, 2015, 31:6992–7005.
- [117] Chen S-M, Liang TJ, Yang L-S, et al. A cascaded high step-up DC-DC converter with single switch for microsource applications. *IEEE Trans Power Electron*, 2010, 26:1146–1153.
- [118] Zhang N, Sutanto D, Muttaqi KM, et al. High-voltage-gain quadratic boost converter with voltage multiplier. *IET Power Electron*, 2015, 8:2511–2519.
- [119] Zhang MT, Jiang Y, Lee FC, et al. Single-phase three-level boost power factor correction converter. In: *Proceedings of 1995 IEEE Applied Power Electronics Conference and Exposition: APEC'95*, Dallas, TX, USA, 5–9 March 1995, 434–439.
- [120] Ardi H, Ajami A, Sabahi M. A novel high step-up DC-DC converter with continuous input current integrating coupled inductor for renewable energy applications. *IEEE Trans Ind Electron*, 2018, 65:1306–1315.
- [121] Mirzaee A, Moghani JS. Coupled inductor-based high voltage gain DC-DC converter for renewable energy applications. *IEEE Trans Power Electron*, 2020, 35:7045–7057.
- [122] Karshenas HR, Daneshpajoo H, Safaee A, Jain P, Bakhshai A. Bidirectional DC-DC converters for energy storage systems. In: Carbone R (ed). *Energy Storage in the Emerging Era of Smart Grids*. Rijeka: IntechOpen, 2011, 161–178.
- [123] Zhao Q, Lee FC. High-efficiency, high step-up DC-DC converters. *IEEE Trans Power Electron*, 2003, 18:65–73.
- [124] Wu T-F, Lai Y-S, Hung J-C, et al. Boost converter with coupled inductors and buck-boost type of active clamp. *IEEE Trans Ind Electron*, 2008, 55:154–162.
- [125] Wai R-J, Duan R-Y. High step-up converter with coupled-inductor. *IEEE Trans Power Electron*, 2005, 20:1025–1035.
- [126] Yu W, Hutchens C, Lai J-S, et al. High efficiency converter with charge pump and coupled inductor for wide input photovoltaic AC module applications. In: 2009 IEEE Energy Conversion Congress and Exposition, 3900, 2009:3895.
- [127] Wai R-J, Lin C-Y, Duan R-Y, et al. High-efficiency DC-DC converter with high voltage gain and reduced switch stress. *IEEE Trans Ind Electron*, 2007, 54:354–364.
- [128] Tang Y, Fu D, Kan J, et al. Dual switches DC/DC converter with three-winding-coupled inductor and charge pump. *IEEE Trans Power Electron*, 2015, 31:461–469.
- [129] Forouzesh M, Yari K, Baghrmian A, et al. Single-switch high step-up converter based on coupled inductor and switched capacitor techniques with quasi-resonant operation. *IET Power Electron*, 2017, 10:240–250.
- [130] Barreto LHSC, Coelho EAA, Farias VJ, et al. A quasi-resonant quadratic boost converter using a single resonant network. *IEEE Trans Ind Electron*, 2005, 52:552–557.
- [131] Wu G, Ruan X, Ye Z. Non-isolated high step-up DC-DC converters adopting switched-capacitor cell. *Zhongguo Dianji Gongcheng Xuebao/Proceedings of the Chinese Society of Electrical Engineering*, 2015, 35:442–450.
- [132] Sri Revathi B, Prabhakar M. Transformerless high-gain DC-DC converter for microgrids. *IET Power Electron*, 2016, 9:1170–1179.
- [133] Chang Y, Chen Y. Modeling and implementation of high-gain switched-inductor switched-capacitor converter. In: 2014 International Symposium on Integrated Circuits (ISIC), Singapore, 10–12 December 2014, 9–12.
- [134] Poshtkouhi S, Biswas A, Trescases O. DC-DC converter for high granularity, sub-string MPPT in photovoltaic applications using a virtual-parallel connection. In: 2012 Twenty-Seventh Annual IEEE Applied Power Electronics Conference and Exposition (APEC), Orlando, FL, USA, 5–9 February 2012, 86–92.
- [135] Wu T-F, Yu T-H. Unified approach to developing single-stage power converters. *IEEE Trans Aerosp Electron Syst*, 1998, 34:211–223.
- [136] Morales-Saldana JA, Gutierrez EEC, Leyva-Ramos J. Modeling of switch-mode DC-DC cascade converters. *IEEE Trans Aerosp Electron Syst*, 2002, 38:295–299.
- [137] Leyva-Ramos J, Ortiz-Lopez MG, Diaz-Saldierna LH, et al. Switching regulator using a quadratic boost converter for wide DC conversion ratios. *IET Power Electron*, 2009, 2:605–613.
- [138] Ortiz-Lopez MG, Leyva-Ramos J, Carbajal-Gutierrez EE, et al. Modelling and analysis of switch-mode cascade converters with a single active switch. *IET Power Electron*, 2008, 1:478–487.
- [139] De Novaes YR, Barbi I, Rufer A. A new three-level quadratic (T-LQ) DC-DC converter suitable for fuel cell applications. *IEEE Transactions on Industry Applications*, 2008, 128:459–467.
- [140] Wijeratne DS, Moschopoulos G. Quadratic power conversion for power electronics: principles and circuits. *IEEE Trans Circuits Syst I Regul Pap*, 2011, 59:426–438.
- [141] Ye YM, Cheng KWE. Quadratic boost converter with low buffer capacitor stress. *IET Power Electron*, 2014, 7:1162–1170.
- [142] Gaubert J-P, Chanedeau G. Evaluation of DC-to-DC converters topologies with quadratic conversion ratios for photovoltaic power systems. In: 2009 13th European Conference on Power Electronics and Applications, Barcelona, Spain, 8–10 September 2009, 1–10.
- [143] Lin B-R, Chen J-J. Analysis and implementation of a soft switching converter with high-voltage conversion ratio. *IET Power Electron*, 2008, 1:386–394.
- [144] Chen S-M, Liang TJ, Yang L-S, et al. A quadratic high step-up DC-DC converter with voltage multiplier. In: 2011 IEEE International Electric Machines & Drives Conference (IEMDC), Niagara Falls, ON, Canada, 15–18 May 2011, 1025–1029.
- [145] Lee YS, Chou ZH, Huang SS, et al. Quadratic boost converter with switched capacitor and coupled inductor for PV system applications. In: *Proceedings of the International Conference on Power Electronics and Drive Systems*, Kitakyushu, Japan, 22–25 April 2013, 38–43.
- [146] Lin M-S, Yang L-S, Liang T-J. Study and implementation of a single switch cascading high step-up DC-DC converter. In: 8th International Conference on Power Electronics-ECCE Asia, 2011, Jeju, South Korea, 30 May–3 June 2011, 2565–2572.
- [147] Kim K-D, Kim J-G, Jung Y-C, et al. Improved non-isolated high voltage gain boost converter using coupled inductors. In: 2011 International Conference on Electrical Machines and Systems, Jeju, South Korea, 30 May–3 June 2011, 1–6.
- [148] Andrade AMSS, Schuch L, Martins ML da S. Very high voltage step-up integrated quadratic-boost-Zeta converter. In: 2015 IEEE 24th International Symposium on Industrial Electronics (ISIE), Buzios, Brazil, 3–5 June 2015, 422–427.



- [149] Duarte CM, Barbi I. A family of ZVS-PWM active-clamping DC-to-DC converters: synthesis, analysis, design, and experimentation. *IEEE Trans Circuits Syst I*, 1997, 44:698–704.
- [150] Mohammadzadeh Shahir F, Babaei E, Farsadi M. Voltage-lift technique based nonisolated boost DC-DC converter: analysis and design. *IEEE Trans Power Electron*, 2018, 33:5917–5926.
- [151] Luo FL. Positive output Luo converters: voltage lift technique. *IEE Proc Electr Power Appl*, 1999, 146:415–432.
- [152] Changchien SK, Liang TJ, Chen JF, et al. Step-up DC-DC converter by coupled inductor and voltage-lift technique. *IET Power Electron*, 2010, 3:369–378.
- [153] Altımanıa M, Nıa MSS, Ferdowsi M, et al. An interleaved non-isolated DC-DC boost converter with voltage doubler cell in CCM. In: *EEE Green Technologies Conference*, Oklahoma City, OK, USA, 1–3 April 2020, 21–25.
- [154] Silva FSF, Freitas AAA, Daher S, et al. High gain DC-DC boost converter with a coupling inductor. In: *2009 Brazilian Power Electronics Conference, COBEP2009*, Bonito-Mato Grosso do Sul, Brazil, 27 September–1 October 2009, 486–492.
- [155] Wong YS, Chen JF, Liu KB, et al. A novel high step-up DC-DC converter with coupled inductor and switched clamp capacitor techniques for photovoltaic systems. *Energies*, 2017, 10:378.
- [156] Ye Y, Cheng KWE, Chen S. A high step-up PWM DC-DC converter with coupled-inductor and resonant switched-capacitor. *IEEE Trans Power Electron*, 2017, 32:7739–7749.
- [157] Tewari N, Thazhathu SV. Family of modular, extendable and high gain DC-DC converter with switched inductor and switched capacitor cells. *IET Power Electron*, 2020, 13:1321–1331.
- [158] Tewari N, Sreedevi VT. Switched inductor-switched capacitor based high gain hybrid DC-DC converter. *India International Conference on Power Electronics, IICPE*, Jaipur, India, 13–15 December 2018, 1–6.
- [159] Salvador MA, Lazzarin TB, Coelho RF. High step-up DC-DC converter with active switched-inductor and passive switched-capacitor networks. *IEEE Trans Ind Electron*, 2018, 65:5644–5654.
- [160] Haroun R, Aroudi AE, Cid-Pastor A, et al. Impedance matching in photovoltaic systems using cascaded boost converters and sliding-mode control. *IEEE Trans Power Electron*, 2015, 30:3185–3199.
- [161] Nabulsi A Al, Sabbagh M Al, Dhaouadi R, et al. A 300 watt cascaded boost converter design for solar energy systems. In: *2009 International Conference on Electric Power and Energy Conversion Systems, EPECS 2009*, Sharjah, UAE, 10–12 November 2009, 3–6.
- [162] Lee S, Do H. High step-up cascade synchronous boost DC-DC converter with zero-voltage switching. *IET Power Electron*, 2018, 11:618–625.

# A review on non-isolated low-power DC–DC converter topologies with high output gain for solar photovoltaic system applications

---

ORIGINALITY REPORT

---

# 10%

SIMILARITY INDEX

---

## PRIMARY SOURCES

---

|   |  |                 |
|---|--|-----------------|
| 1 | <a href="http://qspace.qu.edu.qa">qspace.qu.edu.qa</a><br>Internet   | 82 words — 1%   |
| 2 | <a href="http://ies.ieee-ies.org">ies.ieee-ies.org</a><br>Internet   | 60 words — 1%   |
| 3 | <a href="http://es.scribd.com">es.scribd.com</a><br>Internet   | 51 words — 1%   |
| 4 | <a href="http://www.nature.com">www.nature.com</a><br>Internet   | 39 words — < 1% |
| 5 | <a href="http://ujcontent.uj.ac.za">ujcontent.uj.ac.za</a><br>Internet   | 37 words — < 1% |
| 6 | <a href="http://www.conference.rtu.lv">www.conference.rtu.lv</a><br>Internet   | 30 words — < 1% |
| 7 | <a href="http://digitalcommons.du.edu">digitalcommons.du.edu</a><br>Internet   | 29 words — < 1% |
| 8 | <a href="http://publications.aston.ac.uk">publications.aston.ac.uk</a><br>Internet                                     | 27 words — < 1% |
| 9 | <a href="http://pericles.pericles-prod.literatumonline.com">pericles.pericles-prod.literatumonline.com</a><br>Internet | 26 words — < 1% |

---

|    |  |                 |
|----|--|-----------------|
| 10 | <a href="http://www.i-scholar.in">www.i-scholar.in</a><br>Internet                               | 20 words — < 1% |
| 11 | <a href="http://www.mdpi.com">www.mdpi.com</a><br>Internet                                       | 19 words — < 1% |
| 12 | <a href="http://Opus.Lib.Uts.Edu.Au">Opus.Lib.Uts.Edu.Au</a><br>Internet                         | 18 words — < 1% |
| 13 | <a href="http://doi.org">doi.org</a><br>Internet   | 18 words — < 1% |
| 14 | <a href="http://ideas.repec.org">ideas.repec.org</a><br>Internet                                 | 18 words — < 1% |
| 15 | <a href="http://tel.archives-ouvertes.fr">tel.archives-ouvertes.fr</a><br>Internet               | 18 words — < 1% |
| 16 | <a href="http://mcfns.net">mcfns.net</a><br>Internet   | 17 words — < 1% |
| 17 | <a href="http://repository.dl.itc.u-tokyo.ac.jp">repository.dl.itc.u-tokyo.ac.jp</a><br>Internet | 17 words — < 1% |
| 18 | <a href="http://mail.ijrer.org">mail.ijrer.org</a><br>Internet                                   | 16 words — < 1% |
| 19 | <a href="http://www.ijmer.com">www.ijmer.com</a><br>Internet                                     | 16 words — < 1% |
| 20 | <a href="http://www.j3.jstage.jst.go.jp">www.j3.jstage.jst.go.jp</a><br>Internet                 | 16 words — < 1% |
| 21 | <a href="http://andrewsforest.oregonstate.edu">andrewsforest.oregonstate.edu</a><br>Internet     | 15 words — < 1% |

---

---

|    |  |                 |
|----|--|-----------------|
| 22 | <a href="http://coek.info">coek.info</a><br>Internet   | 15 words — < 1% |
| 23 | <a href="http://www.matlabprojects.com">www.matlabprojects.com</a><br>Internet                           | 15 words — < 1% |
| 24 | <a href="http://dergipark.org.tr">dergipark.org.tr</a><br>Internet                                       | 12 words — < 1% |
| 25 | <a href="http://ijireeice.com">ijireeice.com</a><br>Internet   | 12 words — < 1% |
| 26 | <a href="http://www.bsv.admin.ch">www.bsv.admin.ch</a><br>Internet                                       | 11 words — < 1% |
| 27 | <a href="http://www.ijareeie.com">www.ijareeie.com</a><br>Internet                                       | 11 words — < 1% |
| 28 | <a href="http://www.ijrer-net.ijrer.org">www.ijrer-net.ijrer.org</a><br>Internet                         | 11 words — < 1% |
| 29 | <a href="http://acsjournals.onlinelibrary.wiley.com">acsjournals.onlinelibrary.wiley.com</a><br>Internet | 10 words — < 1% |
| 30 | <a href="http://wineyard.in">wineyard.in</a><br>Internet   | 10 words — < 1% |
| 31 | <a href="http://cdn.intechopen.com">cdn.intechopen.com</a><br>Internet                                   | 9 words — < 1%  |
| 32 | <a href="http://digital-library.theiet.org">digital-library.theiet.org</a><br>Internet                   | 9 words — < 1%  |
| 33 | <a href="http://eie.khpi.edu.ua">eie.khpi.edu.ua</a><br>Internet   | 9 words — < 1%  |

---

[mafiadoc.com](http://mafiadoc.com)

|    |   |                |
|----|---|----------------|
| 34 | Internet  | 9 words — < 1% |
| 35 | mdpi-res.com<br>Internet                                      | 9 words — < 1% |
| 36 | media.neliti.com<br>Internet                                  | 9 words — < 1% |
| 37 | patents.justia.com<br>Internet                                | 9 words — < 1% |
| 38 | www.medwave.cl<br>Internet                                    | 9 words — < 1% |
| 39 | www.samlexsolar.com<br>Internet                               | 9 words — < 1% |
| 40 | b3b7dd1a-d8cb-4579-8cfc-f21897e0f1ee.filesusr.com<br>Internet | 8 words — < 1% |
| 41 | digitalcommons.fiu.edu<br>Internet                            | 8 words — < 1% |
| 42 | dokumen.pub<br>Internet                                       | 8 words — < 1% |
| 43 | eprints.nottingham.ac.uk<br>Internet                          | 8 words — < 1% |
| 44 | id.scribd.com<br>Internet                                     | 8 words — < 1% |
| 45 | ijmtst.com<br>Internet  | 8 words — < 1% |

|    |   |                |
|----|---|----------------|
| 46 | <a href="http://linknovate.com">linknovate.com</a><br>Internet  | 8 words — < 1% |
| 47 | <a href="http://ouci.dntb.gov.ua">ouci.dntb.gov.ua</a><br>Internet  | 8 words — < 1% |
| 48 | <a href="http://repository.ncku.edu.tw">repository.ncku.edu.tw</a><br>Internet  | 8 words — < 1% |
| 49 | <a href="http://studylib.net">studylib.net</a><br>Internet  | 8 words — < 1% |
| 50 | <a href="http://www.ijmetmr.com">www.ijmetmr.com</a><br>Internet  | 8 words — < 1% |
| 51 | <a href="http://www.science.gov">www.science.gov</a><br>Internet  | 8 words — < 1% |
| 52 | COMPEL: The International Journal for<br>Computation and Mathematics in Electrical and<br>Electronic Engineering, Volume 30, Issue 2 (2011-03-06)<br>Publications | 6 words — < 1% |

EXCLUDE QUOTES      OFF  
EXCLUDE BIBLIOGRAPHY      ON

EXCLUDE SOURCES      OFF  
EXCLUDE MATCHES      OFF