

# Instituto Tecnológico y de Estudios Superiores de Occidente

Reconocimiento de validez oficial de estudios de nivel superior según acuerdo secretarial 15018, publicado en el Diario Oficial de la Federación del 29 de noviembre de 1976.

## Departamento de Electrónica, Sistemas e Informática Especialidad en Diseño de Sistemas en Chip



**Amplificador de tiempo CMOS de 0.18um para un SAR-ADC de baja potencia con ciclo de conversión adaptativo orientado a aplicaciones de audio**

---

TRABAJO RECEPCIONAL que para obtener el **GRADO** de  
**ESPECIALISTA EN DISEÑO DE SISTEMAS EN CHIP**

Presenta: **HERNANDEZ FLORES JAIME G..**

Director **MARTINEZ GUERRERO ESTEBAN.**

Tlaquepaque, Jalisco. agosto de 2020.

ITESO – The Jesuit University of Guadalajara

Department of Electronics, Systems, and Informatics

SPECIALIZATION PROGRAM IN SOC DESIGN



**A 0.18 $\mu$ m CMOS Time Amplifier for a Low Power SAR-  
ADC with Adaptive Conversion Cycle oriented to Audio  
Applications**

Thesis/Project to achieve the university degree of

SOC DESIGN SPECIALIST

Presents: Jaime Guadalupe Hernandez Flores

Thesis Director: Esteban Martínez-Guerrero, PhD

Tlaquepaque, Jalisco México

August 2020

This work is dedicated to my family, coworkers and friends for their unconditional support and support during the hard hours of work and dedication.

# Acknowledgments

I want to say my total thanks to the professors of the advisory council especially to the Doctor Esteban Martínez-Guerrero and Doctor Cuauhtémoc Aguilera Galicia.

To Cristian Figueroa Vazquez, Ivan Martinez Flores, and Mario Alberto Moreno Contreras Members of the specialty 2019 -2020.

To ITESO for its opportunities and excellent facilities to understand the subject.

The CONACYT for having provided financial support to fulfill my goal of studying this specialty.

# List of acronyms and abbreviations

ADC	Analog to Digital Converter
TA	Time amplifier
SAR	Successive Approximation Register
DC	Direct Current
DAC	Digital to Analog Converter
IB1	High value current source
IB2	Low value current source
VTC	Voltage to time converter
OTA	Transconductance amplifier
SWNP	Switch active with two different logic signals
SWPP	Switch active with two high logic signals
SWNN	Switch active with two low logic signals
INP	Positive Terminal OTA
INM	Negative Terminal OTA
FF	Flip-Flop

# Contents

Section 1.ADC In the domain of time .....	5
1.1 Abstract.....	5
1.2 Introduction.....	5
1.3 The SAR ADC .....	5-6
1.4 The Adaptive Conversion SAR ADC Proposal .....	6
Section 2. The Time Amplifier Circuit .....	7
2.1 Circuit Description.....	7-9
2.1 Mathematical model of TA.....	9-10
Section 3. TA Circuit Design.....	11
3.1 Transistor Level Architecture of TA.....	11
3.2 TA Design Characterization.....	12
3.3 Design of the switches.....	12
3.3.1 The switch SWNN .....	13-14
3.3.2 The switch SWPP.....	14-16
3.3.3 The switch SWPN.....	16-18
3.4 The Comparator Desing.....	19-20
3.5 Prelayout simulation results.....	21
3.6 Transfer curve and gain error.....	22-24
3.6.1. TA Verification .....	25
4.1 System level simulation .....	25-27
Section 5. TA Physical Design.....	28
5.1 Layout Design and Verification.....	28-32
Conclusions.....	33
References.....	34
Annex.....	35-36

# Section 1. ADC in the domain of time with SAR

## 1.1 Abstract

This document presents the design of a time amplifier circuit in 0.18  $\mu\text{m}$  CMOS process with a supply voltage of 1.8 V. Simulation results performed with typical process parameters, nominal supply voltage, room temperature and an operating frequency of 200 KHz, show a time gain of 200, with an error of less than 7%. The power consumption of the designed circuit is 26  $\mu\text{W}$ . The circuit can receive signals with a time difference from 10 ps to 4.7 ns. The layout dimension is 149.985  $\mu\text{m}$  x 168.536  $\mu\text{m}$ , with an area of 25.3  $\text{nm}^2$ .

## 1.2 Introduction

An ADC is a circuit that converts a continuous analog input voltage to a discrete binary word. ADCs are high in demand due to the increase of numerous mixed-signals systems. There are several conversion techniques in which analog-to-digital conversion can be done such as pipeline, delta-sigma, and flash. Nevertheless, Successive-Approximation technique is one of the most popular because of its accuracy, moderate conversion speed as well as low power consumption [1]. It is generally a feedback system that applies a trial-and-error algorithm to obtain a proportional digital word to an analog input voltage.

## 1.3 The SAR ADC

A SAR ADC (Fig. 1.1) consists of the following design blocks:

- i. Sample and Hold circuit
- ii. Comparator
- iii. N-bit SAR logic
- iv. Digital-to-Analog Converter (DAC)

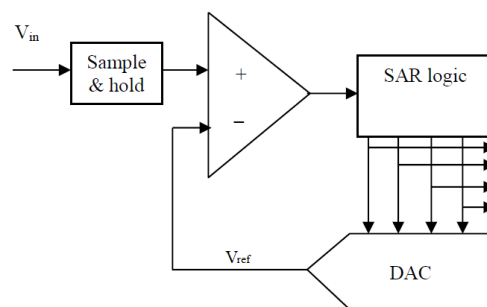


Fig.1.1: Block Diagram of Typical SAR ADC [1]

The conversion sequence of a SAR ADC is listed below [1]:

- i. The system samples the analog input  $V_{in}$  in a sample and hold circuit. Simultaneously, the SAR Logic resets the DAC.
- ii. The MSB bit is set in the DAC by the SAR logic. The DAC output is known as Voltage Reference ( $V_{ref}$ ).
- iii. The  $V_{in}$  sampled and  $V_{ref}$  are compared by the comparator circuit. If  $V_{in}$  is greater than  $V_{ref}$  the Comparator output is '1' logic, else the output is '0' logic.
- iv. The SAR logic saves the comparator output in the MSB position of the SAR output register and sets the bit MSB-1 and presents this partial conversion to the DAC input.
- v. The conversion continues for MSB-1, MSB-2, and finishes on the LSB bit.

## 1.4 The Adaptive Conversion SAR ADC Proposal

Our proposal is a modification of the conventional SAR-ADC algorithm (Fig. 1.2) to perform a conversion in fewer clock cycles. This is possible by a prediction of the consecutive 1's or 0's in the conversion result. Such prediction is based on the difference between  $V_{in}$  and  $V_{ref}$  signals. Our proposal is capable of predict 1 bit or 3 to 9 consecutive equal bits on a single clock cycle.

The conversion sequence of the proposed system is listed below:

- i. The system samples the analog input  $V_{in}$  in a sample and hold circuit
- ii.  $V_{in}$  and  $V_{ref}$  are converted to a time-domain signal via the VTC
- iii. The time-amplifier (TA) extends the time difference between these two signals and distributes them to the arbiter and the counter.
- iv. The arbiter decides which signal came in the first place.
- v. The SAR Logic uses the information from the arbiter and the counter to predict equal-consecutive bits and to adapt the conversion cycles.

This will improve overall conversion time and power dissipation per conversion.

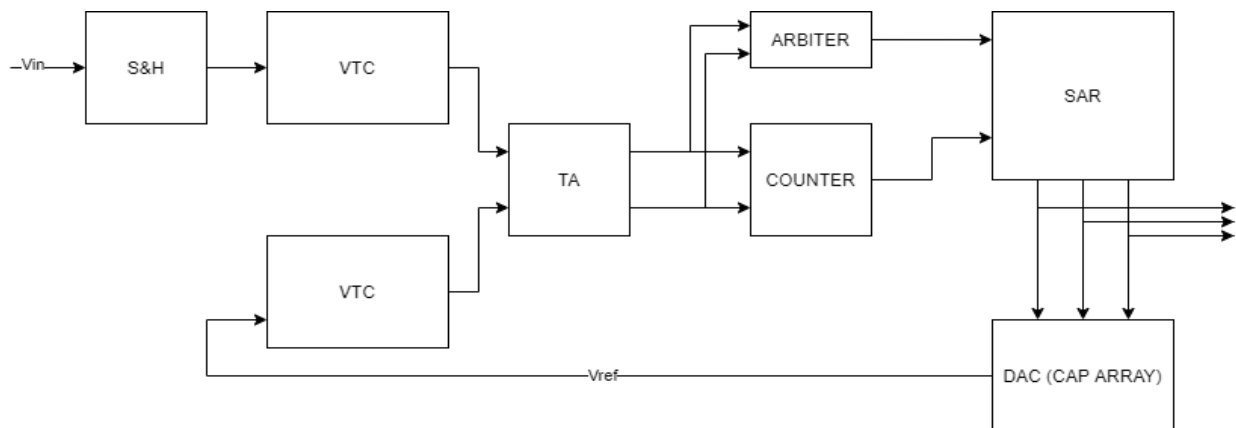


Fig. 1.2: SAR ADC System Proposal [2]

## Section 2. The Time Amplifier Circuit

### 2.1 Circuit Description

A Time Amplifier (TA) is an electronic circuit that is used to increase the magnitude of the difference in time of two signals applied to its input. The purpose of the TA circuit is to amplify the difference between the two signals provided by the VTC blocks (see Fig. 1.2). The TA helps the SAR module to reduce the clock frequency of the Counter that determines a digital value proportional to the analog input voltage.

The block diagram of TA is presented in Fig. 2.1. Can be noted that at the input, the TA receives the two signals A and B with a time difference of  $\Delta T_{in}$  and outputs VTC signals with an increased difference in time  $\Delta T_{out}$ .

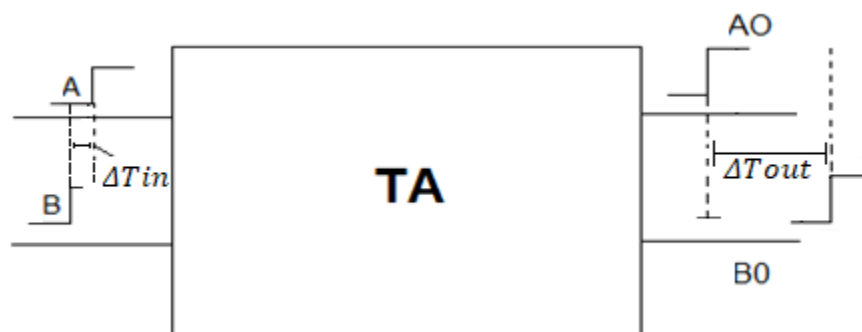


Fig. 2.1: Conceptual Diagram of Time Amplifier.

Several proposals of TA topologies have been published in the technical literature, [3] [4] [5] [6]. Time difference amplification can be achieved using either analog or digital circuitry.

Table 2.1 summarizes the performance of some architectures of TA.

Typology	SR latch based	Inverter based	DLL-like
Time Gain	20	2	4
Input Range	40 ps	100 ps	300 ps
Technology	90nm	0.180 $\mu\text{m}$	65 nm
Power	-	-	314 $\mu\text{A}$ @5MHz

Table 2.1 Performance comparison of some digital TA architectures

The digital TA option is discarded for this SAR-ADC project due to its limited amplification and input range of time difference. Instead, propose an analog TA.

The analog TA approach that we propose in this work is adapted from [7] and it is shown in Fig. 2.2. This is composed of two symmetrical sections; the only difference between the two sections is that the control signals are inverted. This TA is an open-loop architecture. We have chosen this architecture for the SAR-ADC project because it promises to reach the highest gain and good linearity in a wide input time range.



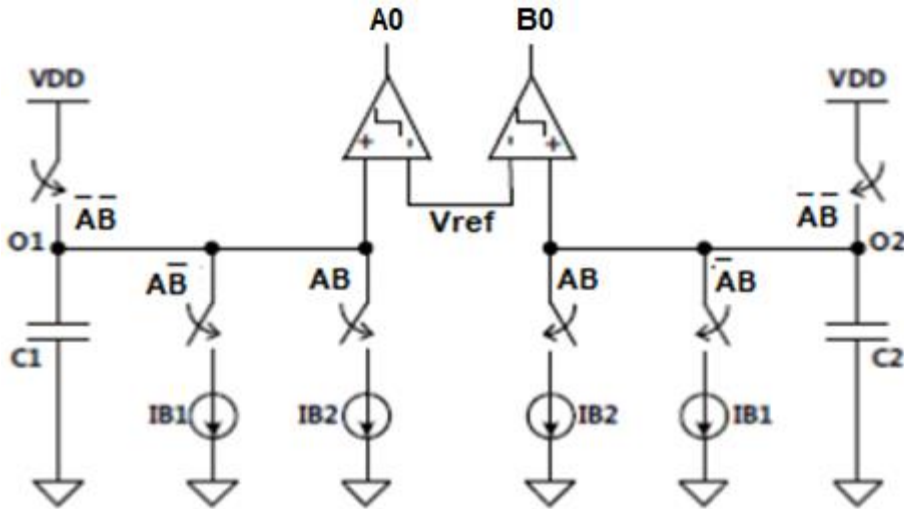


Fig. 2.2: Conceptual implementation of the analog TA circuit. [7]

The principle of this TA is as follows: the capacitors  $C1$  and  $C2$  are pre-charged to  $VDD$  when signal  $A$  provided by "VTC1" and signal  $B$  provided by "VTC2" are '0'. This sets both nodes  $O1$  and  $O2$  to  $VDD$  (see also the timing diagram in Fig. 2.3). When signals  $A$  and  $B$  are '1' and '0' respectively, the  $O1$  node voltage ramps down linearly with time at a fast rate of  $SR1A$ , while the  $O2$  voltage remains constant at  $VDD$ . When both signals  $A$  and  $B$  are at '1', both voltage nodes  $O1$  and  $O2$  ramp down linearly with time at a slow rate of  $SR2A$  and  $SR1B$  respectively. In the time interval  $T2 - T3$ ,  $SR2A$ , and  $SR1B$  are nominally the same. When either voltage nodes  $O1$  or  $O2$  voltage reaches  $Vref$  (where  $Vref$  is usually set to  $VDD/2$ ), the comparator output changes from '0' to '1' if  $O2 > O1$ .

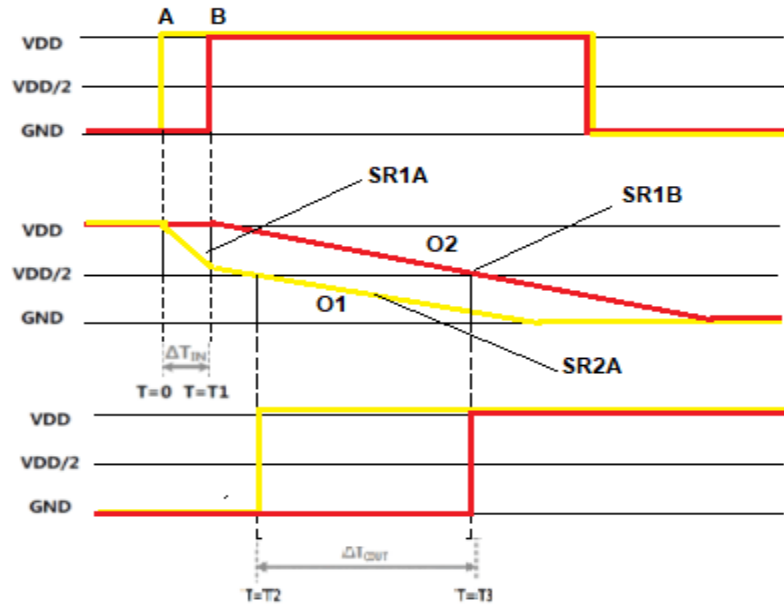


Fig. 2.3: The timing diagram of the analog TA: (a) A and B input signals, (b) discharge curves of capacitor and (c) outputs of comparator [7]

## 2.2 Mathematical model of TA

The first parameter to be analyzed is the voltage at nodes O1 and O2 as the case may be. To simplify the analysis, we will take the case of signal A ahead of signal B (See Fig. 2.4). We can deduce the charge and discharge equation as follows:

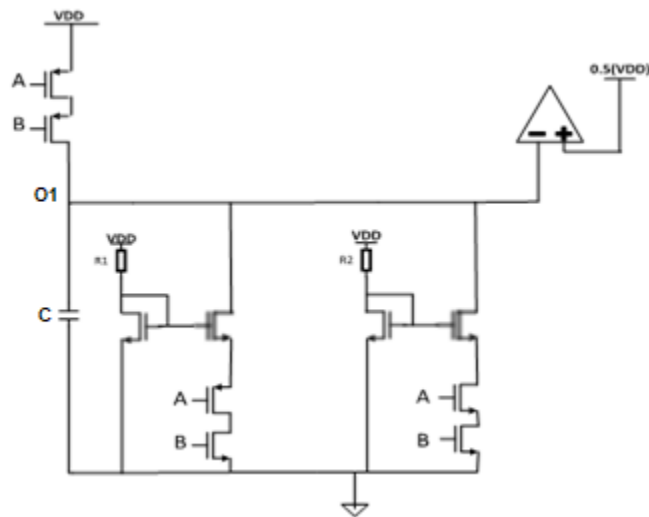


Fig. 2.4: The left section of the analog TA circuit.

At node O1 [7]:

$$IB1 * \Delta Tin + IB2 * (T2 - \Delta Tin) = 0.5VDD * C \quad (1)$$

Where,  $\Delta Tin = A - B$

And at node O2:

$$IB2 * (T3 - \Delta Tin) = 0.5VDD * C \quad (2)$$

If we define T2 and T3 as the start times, we can combine (1) and (2) to determine  $\Delta T_{out} = T3 - T1$ :

$$T2 = \Delta Tin * \left(1 - \frac{IB1}{IB2}\right) + \frac{VDD * C}{2 * IB2} \quad (3)$$

$$T3 = \Delta Tin + \frac{VDD * C}{2 * IB2}$$

From (3) we calculate the transfer function  $A_T = \frac{\Delta T_{out}}{\Delta T_{in}}$  as follows:

$$A_T = \frac{T3 - T2}{\Delta Tin} = \frac{IB1}{IB2} \quad (4)$$

From (1) we can see the maximum differential input of the TA circuit is given by the discharge speed of the capacitor in O1, until it reaches a level below of VDD/2:

$$\frac{IB1}{C} * \Delta Tin \leq \frac{VDD}{2} \quad (5)$$

$$\Delta Tin \leq \frac{VDD * C}{2 * IB1}$$

And the maximum frequency is controlled by the discharge speed of the circuit at node O2 since the capacitor must be completely discharged before to start the next cycle and then the maximum frequency is given by (6):

$$F_{max} = \frac{IB2}{C * VDD} \quad (6)$$

The Power consumption of this TA circuit is given by (7):

$$P = 2 * C * VDD^2 * F \quad (7)$$

## Section 3. TA Circuit Design

### 3.1 Transistor Level Architecture of TA

Fig. 3.1 presents the transistor schematic of the TA circuit. The Comparators are implemented using OTAs, which design development is addressed in section 3.4. The two capacitors  $C$  of Fig. 3.1 are of MIMCAP\_2Po\_SIN type from the TSMC 0.18  $\mu\text{m}$  process. The two current sources are implemented using simple current mirrors, and the three switches SWNN, SWPP, and SWNP are implemented using transmission gates topologies.

All switches are controlled by the signals coming of the VTC blocks (A and B).

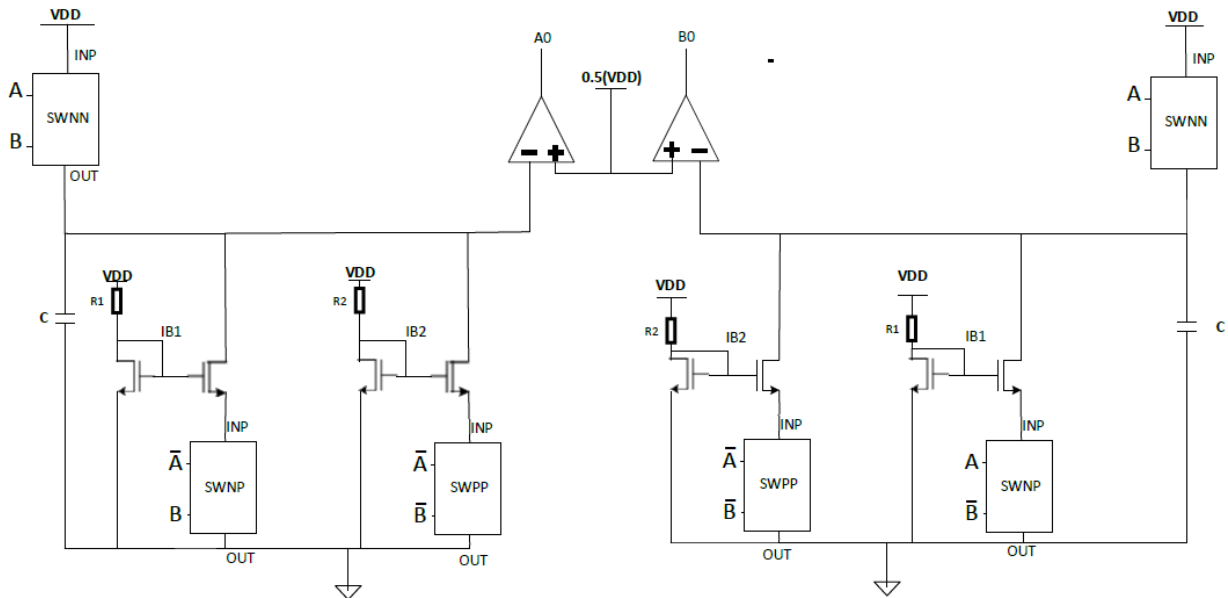


Fig. 3.1: Schematic Diagram of implemented TA circuit.

### 3.2 TA Design Characterization

The value of current sources IB1 and IB2 was defined in reason of the required time gain. We looked for the maximum gain and minimum error of TA in order to get the minimum operating frequency of SAR-ADC. Having the time-difference range of  $10 \text{ pS} < \Delta T_{in} < 4.7 \text{ nS}$  measured from the VTC blocks., The time gain is defined as  $A_T = 200$ . Then, using Ec. (4)  $IB1 = 1 \text{ mA}$  and  $IB2 = 5 \mu\text{A}$ . Capacitors C values are defined in terms of the discharge rate which is controlled by the current sources IB1 and IB2; the value is  $10 \text{ pF}$ . The Transmission Gate (TG) topology for the three switches is chosen in reason of the lowest  $R_{on}$  in order to get the best speed performance; the current through the switch SWNN is  $585 \mu\text{A}$  when it is turned on and the capacitor is fully discharged, then the current diminishes exponentially until the capacitor is charged to VDD. The leakage current is  $10 \text{ pA}$  in off state. The current through the switch SWNP is  $200 \mu\text{A}$  when it is turned on and a minimum leakage current of  $5 \text{ pA}$  in off state. Finally, the current through the switch SWPP is  $5 \mu\text{A}$  when it is turned on and a minimum leakage current of  $3 \text{ pA}$  in off state. The switches are activated with a combination of A and B signals, to do this, we have designed a logic-gate control circuit that is explained in detail in section 3.3. We use OTAs with buffer as comparators. Comparators are designed for a  $V_{ref}$  of  $900 \text{ mV}$ ; The propagation delay is  $1.29 \mu\text{S}$ ; the power consumption is  $13 \mu\text{W}$ . The design specifications of the TA circuit are summarized in Table 3.1.

Parameter	Value
Time Gain	200
Input time range	$10 \text{ pS} - 4.7 \text{ nS}$
Power	$13 \mu\text{A}$ @200KHz
Max Error %	7%

Table 3.1: TA Design characterization.

### 3.3 Design of the switches

As mentioned above, the switches are activated by A and B signals provided each by VTC blocks. However, note that the switch SWNN is turned on with both A and B signals in the low state, the SWPP is activated with the two A and B signals in the high state while the SWNP is activated with A signal in the low state and B signal in the high state. To generate these A and B signals combination, we have added a logic control circuit to the switches. Each switch develops similar performance, however, its architecture and the dimensions are different.

To design the switches, we have considered that they must be as fast as possible in both transitions high to low and low to high. This requirement was achieved with the transmission gate topology. Another important requirement is the amount of current that flows through them, that in some cases it reaches up to  $1 \text{ mA}$ ; this was achieved by proper sizing of transistors. Design specifications of switches are summarized in Table 3.2.

Parameter	Specification
Rise Time	$4 \text{ pS}$
Fall Time	$15 \text{ pS}$
Current level in the on state	$1 \text{ mA}$
Current level in the off state (leakage current)	$3 \text{ pA}$
Maximum Delay	$40 \text{ pS}$

Table 3.2: TA Switches design specifications.

### 3.3.1 The switch SWNN.

The transistor schematic of the switch SWNN is shown in Fig. 3.2. As can see, the TG structure implemented with transistors M0 and M1. The logic control circuit is implemented with two inputs NAND gate (M4 – M7), and an inverter (M13, M12). The width and length of the transistors are summarized in Table 3.3. The transient response of the switch SWNN is presented in Fig. 3.3.

Transistor	W	L
M0	1u	200n
M1	1u	200n
M4	220n	200n
M5	800n	220n
M6	220n	220n
M7	220n	200n
M12	220n	200n
M13	220n	200n

Table 3.3: Transistors' widths and lengths of switch SWNN.

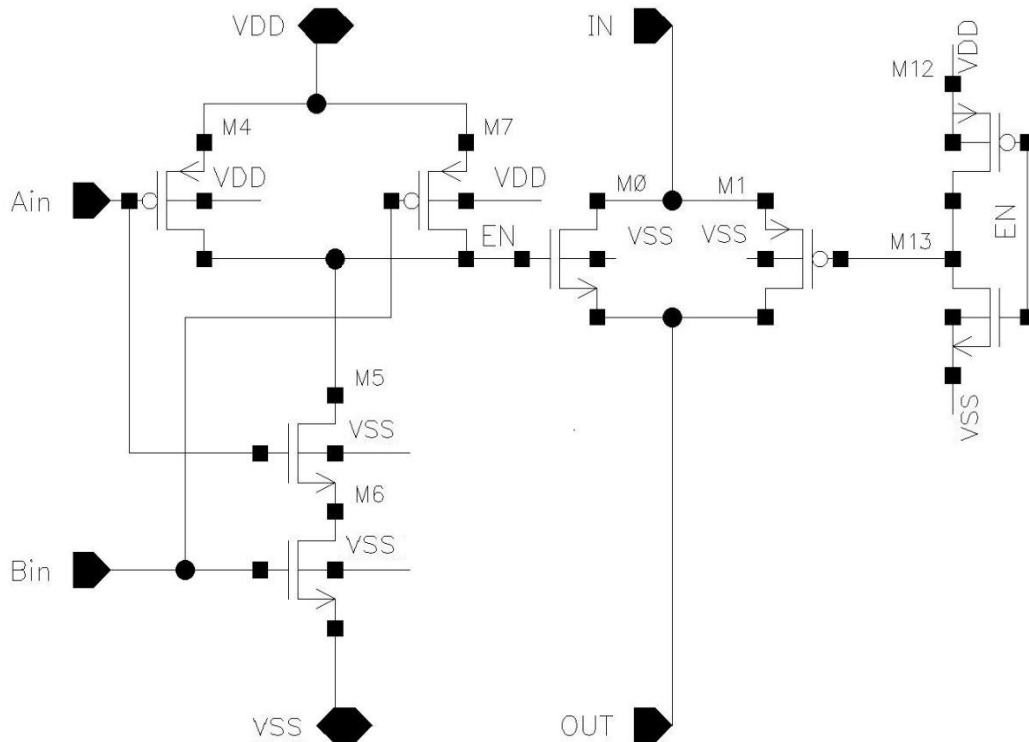


Fig. 3.2: Schematic diagram of switch SWNN.

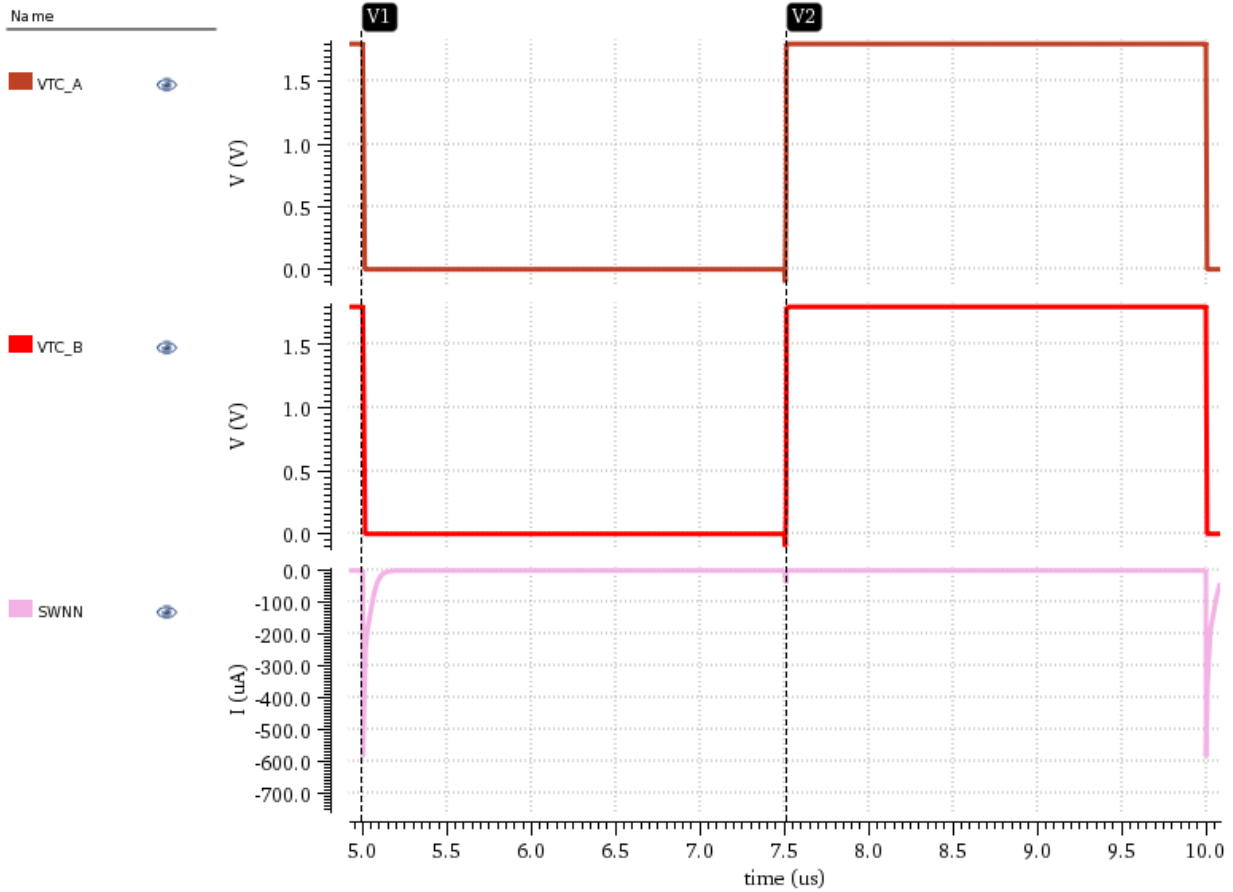


Fig. 3.3 Transient response of switch SWNN.

As can be seen in Fig. 3.3, on the first negative edge of A and B signals, the current through the switch SWNN is about 550  $\mu\text{A}$ , then it decreases exponentially with time until it reaches the leakage level.

### 3.3.2 The switch SWPP

Fig. 3.4 shows the transistor schematic of the switch SWPP. The TG switch is formed by transistors M0 and M1. The logic control circuit is implemented with two inputs NAND gate (M4 – M7), and two cascaded inverters (M3, M2, M8, M9). The width and length of transistor is summarized in Table 3.4. The transient response is presented in Fig. 3.5.

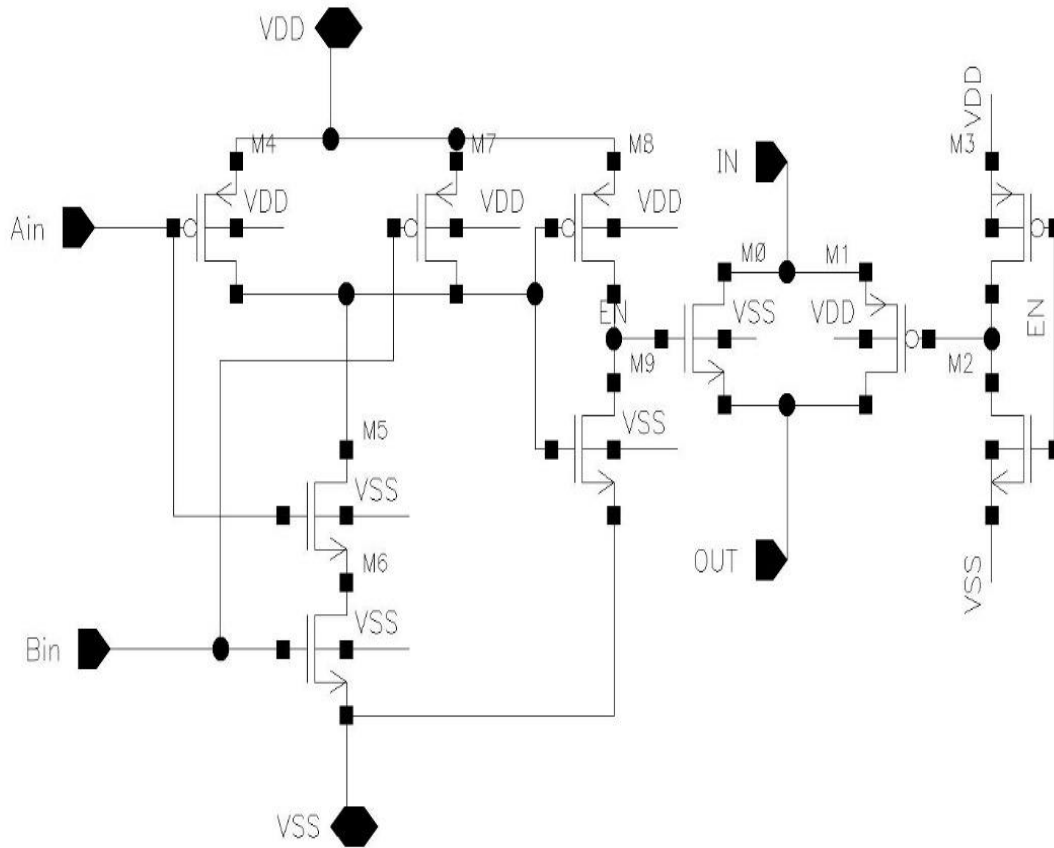


Fig. 3.4: Schematic of the switch SWPP.

Transistor	W	L
M0	300n	200n
M1	300n	200n
M2	220n	200n
M3	220n	200n
M4	220n	200n
M5	800n	220n
M6	220n	220n
M7	220n	200n
M8	220n	200n
M9	220n	200n

Table 3.4: Transistor sizes of the SWPP switch.



In this switch, unlike the SWNN, we can note a smaller dimension in M1 and M2, this is because in this switch flows a low value of current provided by the current source IB2. This switch is used to slow down the discharge rate of the capacitor C. Notice however, the sizing of transistors of this switch is critical for the operation of TA. The most important parameters are the speed and leakage current. We have noted if the switch has a high leakage current, the transistors of current mirror IB2 do not operate in the saturation region and then, the output current of IB2 current source is very different from the expected value. The delay of the logic control circuit is the other important factor for the fast response of this switch. We have sized the transistor of this switch taking into account the minimum delay possible and minimum leakage current.

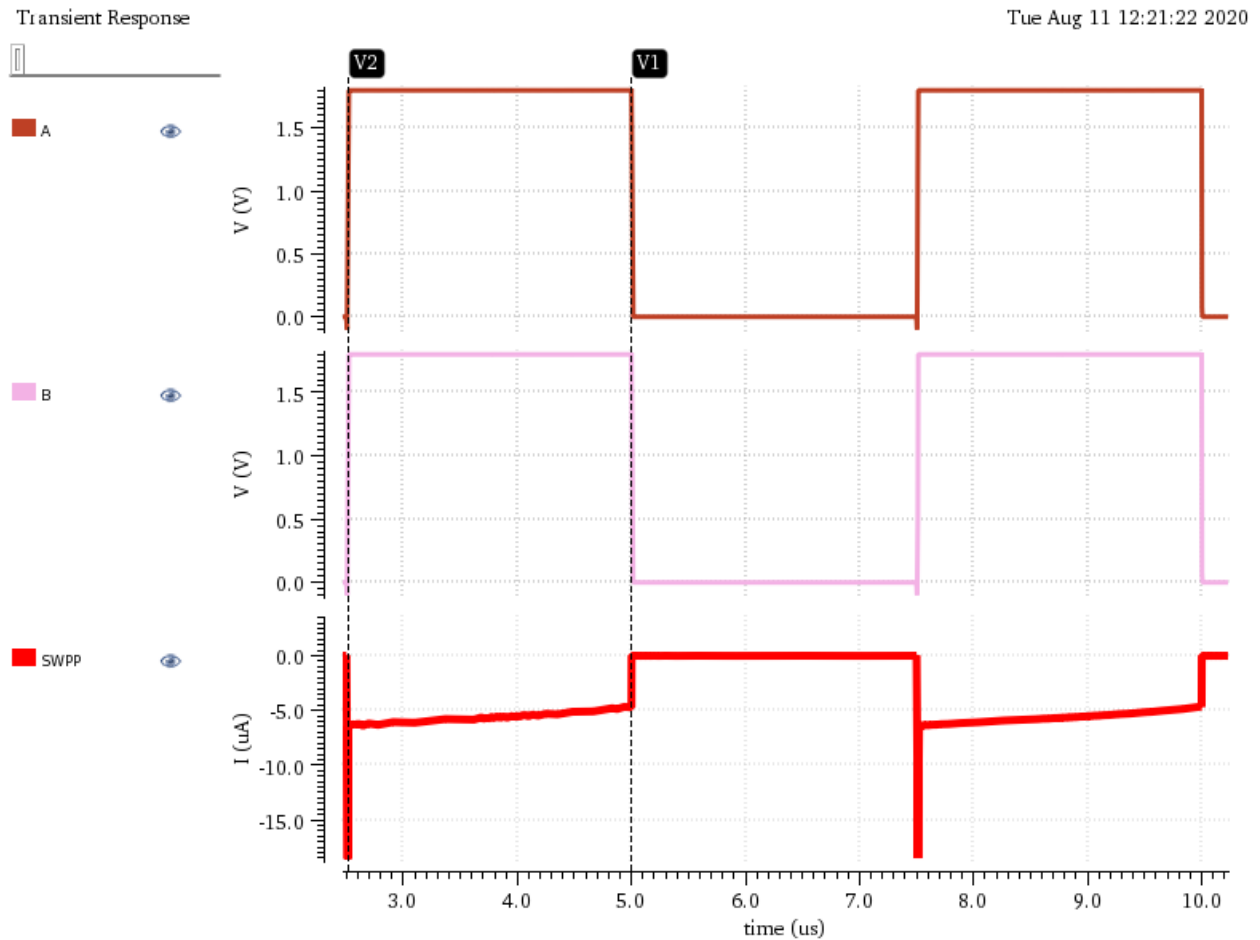


Fig. 3.5 Transient response of the switch SWPP

### 3.3.3 The switch SWPN

In Fig. 3.5, the transistor schematic of the switch SWPN is shown. The TG switch is formed by transistors M0 and M1. In this case, the logic control circuit is implemented with two inputs NAND gate (M14, M10,

M6, M7), and three cascaded inverters (M2, M3, M4, M5, M15, M11). The width and length of the transistors are summarized in Table 3.5. The transient response is presented in Fig. 3.7.

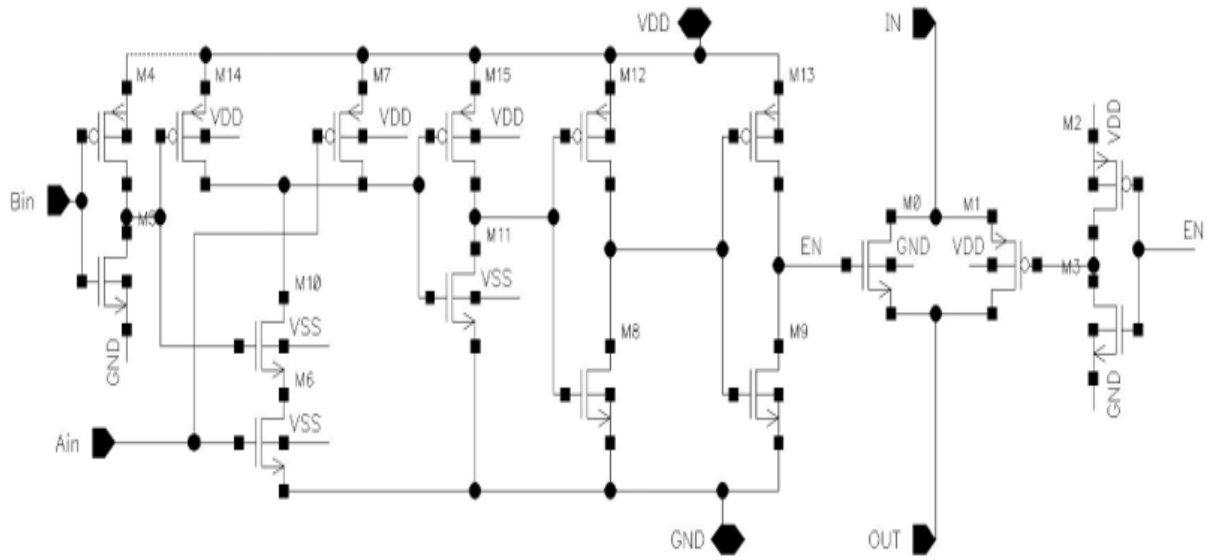


Fig. 3.6: Schematic of the switch SWPN.

Transistor	W	L
M0	3U	200n
M1	3U	200n
M2	220n	200n
M3	220n	200n
M4	220n	200n
M5	220n	200n
M6	220n	220n
M7	220n	200n
M8	540n	200n
M9	540n	200n
M10	220n	200n
M11	220n	200n
M12	1u	200n
M13	1u	200n
M14	220n	200n
M15	220n	200n

Table 3.5: Transistor sizes of the SWPN switch.

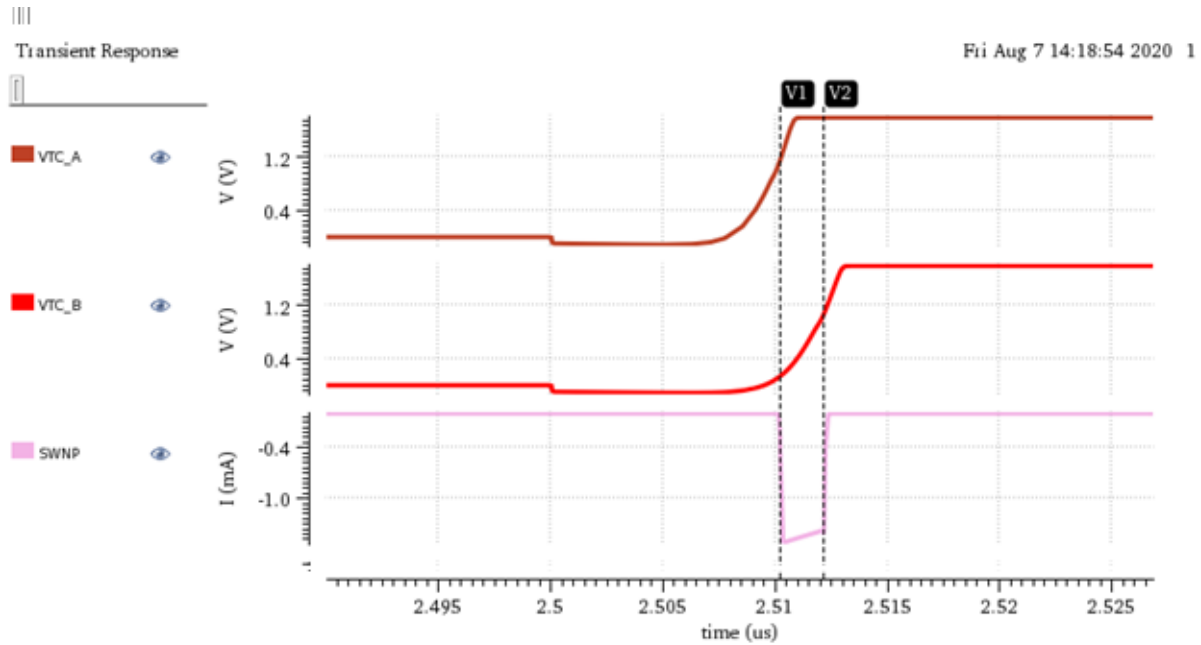


Fig. 3.7 Transient response of the switch SWPN

This switch, unlike the other two, must be the fastest one and with a power consumption not so great for the current mirror to work properly. The switch has a buffer to finely control the delay and then improve its speed. It should be noted that in this switch all the transistors of the three inverters have the minimum size in order to have a fast and balanced rise and fall times.

### 3.4 The Comparator Design.

The comparator used in the TA is based on an OTA with a buffer. The highest slew rate (19.775 uV/s) of the OTA is required for the proper operation of comparators. The capacitive load of this OTA is 20 fF, which is provides from the input capacitance of the Arbiter and the SAR blocks. The OTA schematic in Fig. 3.8 is a simple structure type (M0 – M3), biased by a cascode current mirror (M4-M7) and a pair of poly resistance as reference resistance. A digital buffer (M8 - M11) is added to enhance the output voltage level and to adjust the delay offset of the comparator. The widths and lengths of the comparator are summarized in Table 3.6.

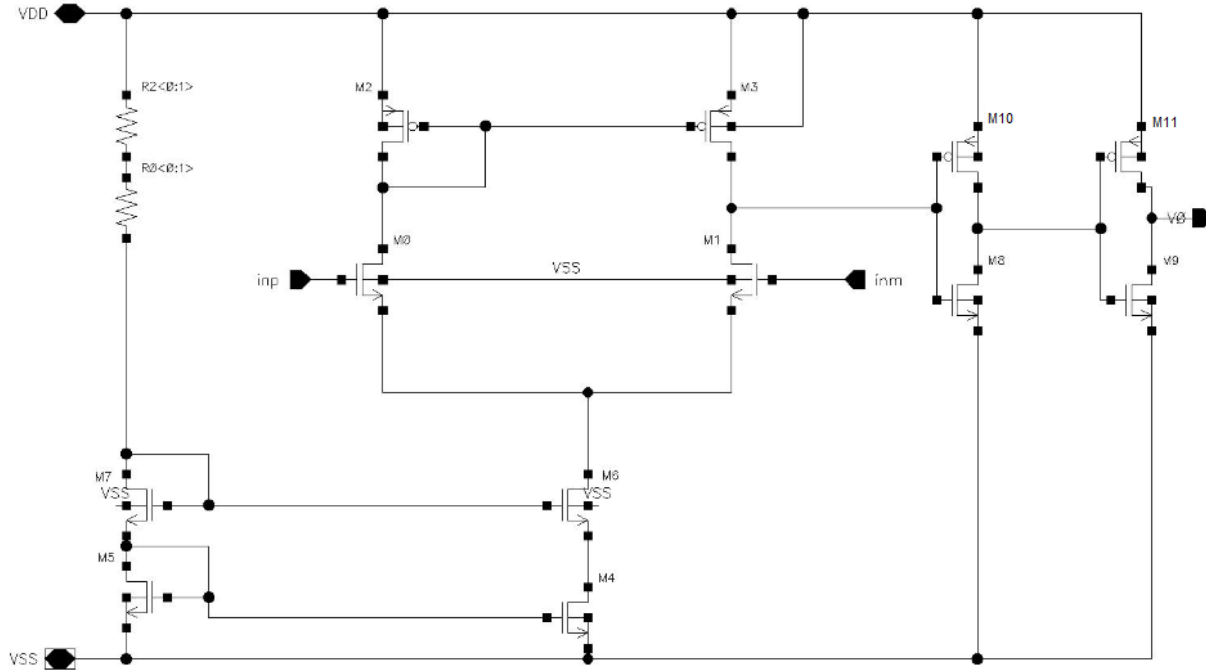


Fig. 3.8: Schematic of Comparator.

Transistor	W	L
M0	1.4u	700n
M1	1.4u	700n
M2	3.46u	720n
M3	3.46u	720n
M4	3u	200n
M5	3u	200n
M6	3u	220n
M7	3u	200n
M8	1.5u	200n
M9	1.5u	200n
M11	3.46u	200n
M12	3.46u	200n

Table 3.6: Transistor sizes of the Comparator.

Fig. 3.9 shows the Bode Diagram of the Comparator circuit. It can be see a DC gain of 10 dB and a bandwidth of 4GHz. The Bandwith is high enough for the present application.

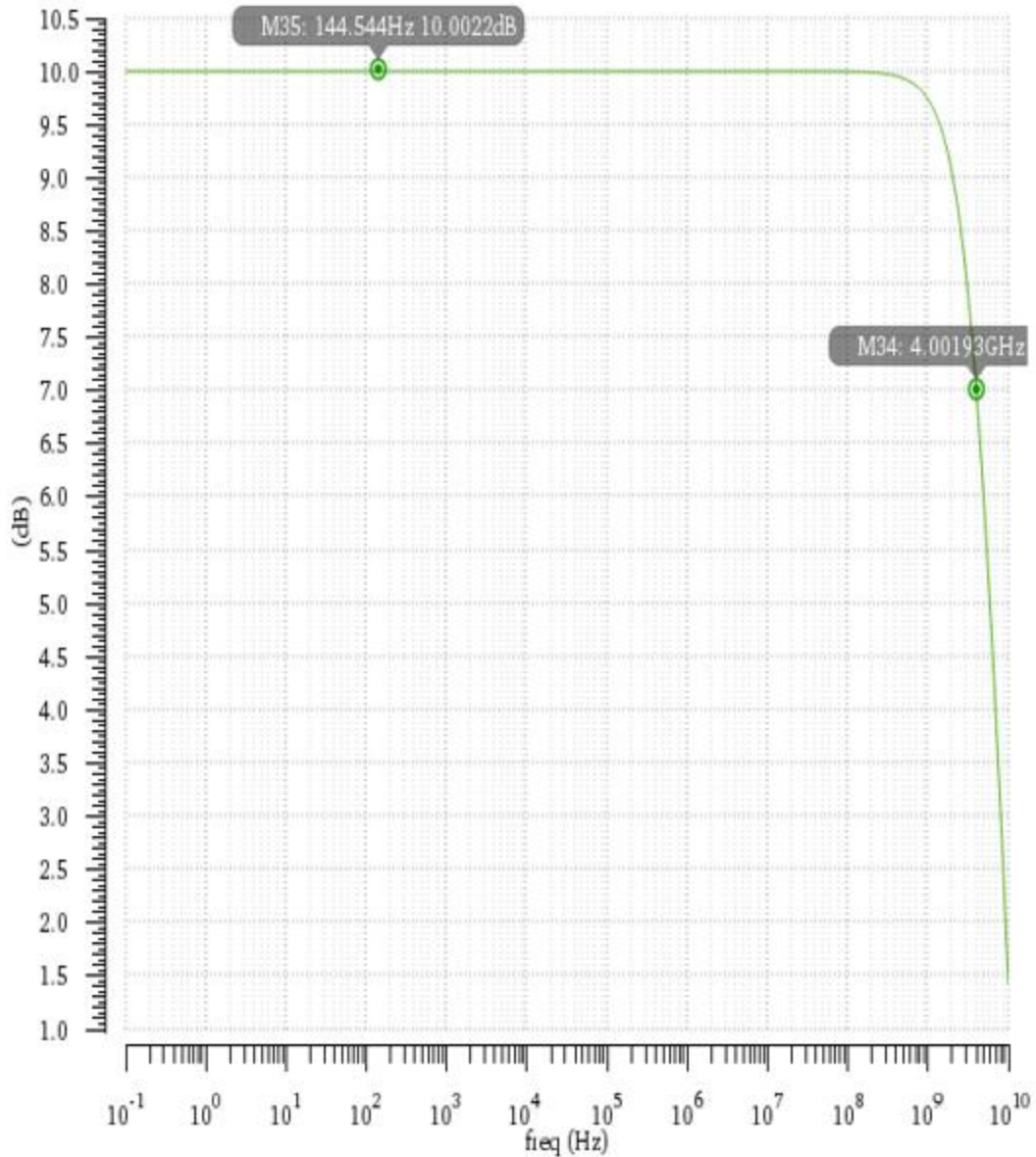


Fig. 3.9: OTA Frequency response.

### 3.5 Prelayout simulation results

The Fig. 3.10 shows the utilized schematic diagram to perform the pre-layout simulations. Simulations were done using typical process parameters, 1.8 V of supply voltage and room temperature. Signals A and B come each from the two VTC. This testbench is implemented to measure the time gain and the percentage of error. The Vref is implemented with a resistor divider, R4 and R5 in Fig 3.10.

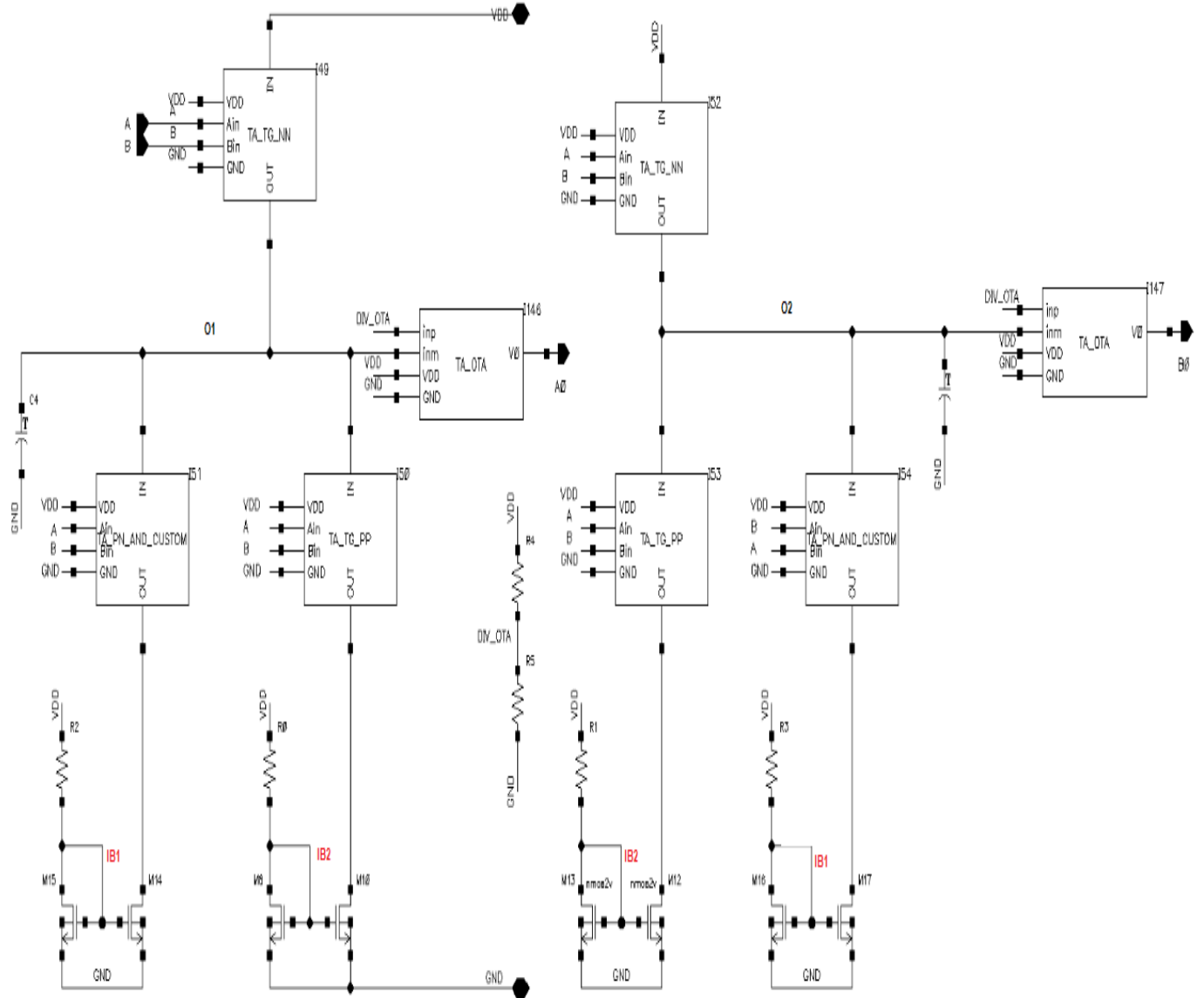


Fig. 3.10: Schematic of TA for simulation in Virtuoso-Cadence.

### 3.6.1 Transfer curve and gain error

Fig. 3.11 presents the transfer curve of TA when it was implemented with switches of a single transistor.

The percentage of error was calculated using the relationship

$$(Measured\ Time\ Gain - Expected\ Time\ Gain) / Expected\ Time\ Gain * 100 \quad (8)$$

Where the expected time gain is a linear variation from 0 to 200, and the Measured Time Gain is calculated as the ratio of  $T_{out}/T_{in}$  from collected data of simulations.

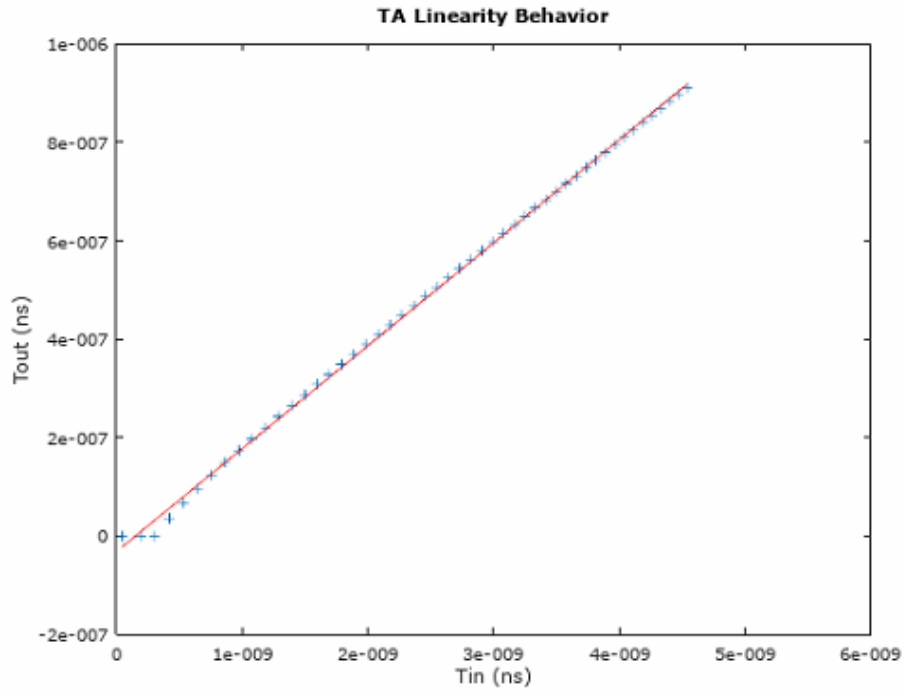


Fig. 3.11: Relationship between  $\Delta T_{out}$  and  $\Delta T_{in}$  when implemented with single transistor switches: simulated results (blue stars) and theoretical behavior (solid red line)

VIN	$\Delta T_{in}$	$\Delta T_{out}$	Time Gain	Expected Time Gain	%Error
7.50E-01	4.86E-11	3.83E-17	7.87E-07	0	0
7.55E-01	1.98E-10	3.78E-15	1.90813E-05	200	100.00%
7.60E-01	3.05E-10	2.78E-12	9.11E-03	200	100.00%
7.65E-01	4.21E-10	3.62E-08	85.98574822	200	57.01%
7.70E-01	5.36E-10	6.75E-08	126.0033601	200	37.00%
7.76E-01	6.48E-10	9.63E-08	148.5881808	200	25.71%
7.81E-01	7.59E-10	1.24E-07	163.4805537	200	18.26%
7.86E-01	8.67E-10	1.50E-07	172.9305972	200	13.53%
7.91E-01	9.75E-10	1.74E-07	178.4249385	200	10.79%
7.96E-01	1.08E-09	1.97E-07	182.2386679	200	8.88%
8.01E-01	1.19E-09	2.20E-07	185.3411963	200	7.33%

Table 3.7: TA Pre-layout first design simulation results of the time gain.

The calculated percentage of error from data presented in table 3.7 is shown in Fig. 3.13; to the value is 10% The percentage of error of TA was later reduced using transmission gates switches with the logic control circuit (Fig. 3.2, Fig. 3.4, and Fig 3.6).

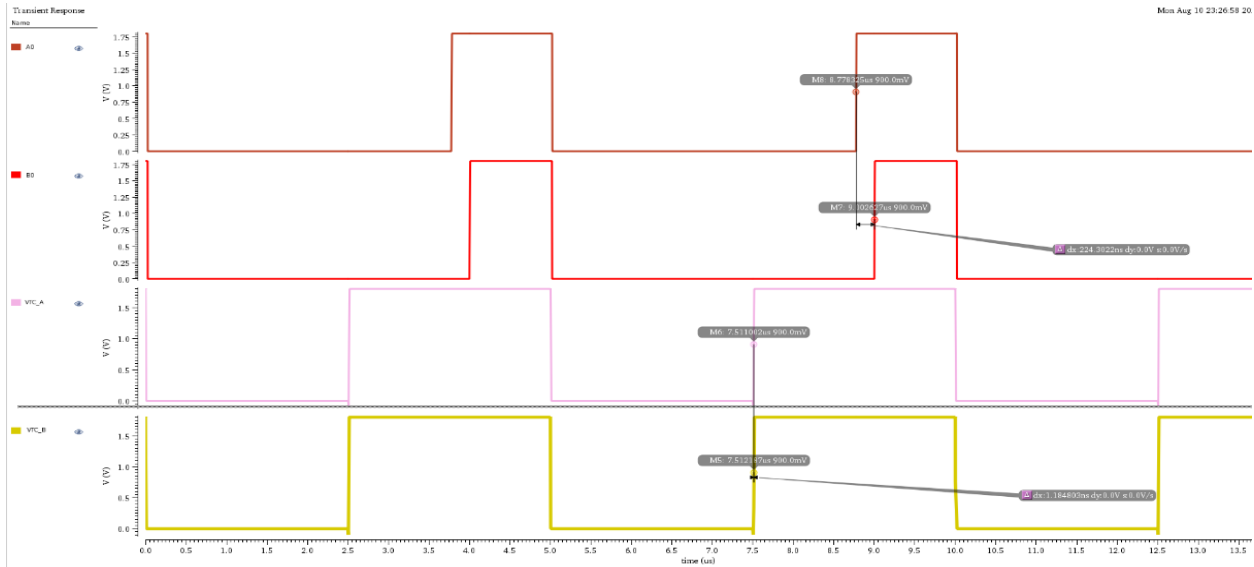


Fig. 3.12: Transient response of TA circuit with a  $V_{ref} = 750\text{mV}$ ,  $V_{in} = 800\text{mV}$ , and  $\Delta T_{in} = 1.1818\text{ nS}$ .

In this case, the measured  $\Delta T_{out} = 224.302\text{ nS}$  and the resulting Gain = 189.796919

In Fig. 3.13 we present the transfer curve of TA. The percentage of error was calculated using Ec 8 and the data presented in Table 3.7. The error is less than 7% and the time gain is about 200.



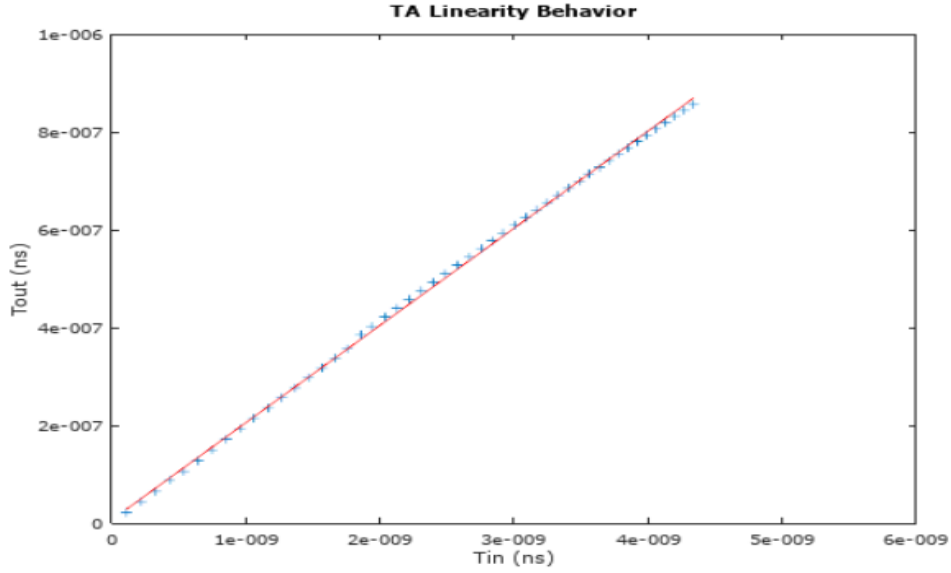


Fig. 3.13: Relationship between  $\Delta T_{out}$  and  $\Delta T_{in}$  of TA when implemented with transmission gate switches: simulated results (blue stars) and theoretical behavior (solid red line).

VIN	$\Delta T_{in}$	$\Delta T_{out}$	Time Gain	Expected Time Gain	%Error
7.50E-01	1.88E-19	-3.13E-12	-6.03E-08	0	0
7.55E-01	-2.19E-08	-1.12E-10	195.0044603	200	2.50%
7.60E-01	-4.42E-08	-2.22E-10	198.8748875	200	0.56%
7.65E-01	-6.54E-08	-3.30E-10	198.3030303	200	0.85%
7.70E-01	-8.86E-08	-4.34E-10	203.9834216	200	-1.99%
7.76E-01	-1.06E-07	-5.40E-10	195.7407407	200	2.13%
7.81E-01	-1.28E-07	-6.46E-10	198.3893449	200	0.81%
7.86E-01	-1.50E-07	-7.50E-10	199.786752	200	0.11%
7.91E-01	-1.72E-07	-8.57E-10	200.9105767	200	-0.46%
7.96E-01	-1.94E-07	-9.60E-10	201.5205166	200	-0.76%
8.01E-01	-2.15E-07	-1.06E-09	202.0696143	200	-1.03%

Table 3.8: TA Pre-layout simulation results of the time gain.

## Section 4. TA Verification

### 4.1 System level simulation

To test the TA circuit and VTCs together we have implemented the testbench depicted in Fig. 4.1. In this figure can see two VTCs connected to a pair of buffers, this because it was detected that the TA capacitance affects the linear operation of the VTC. The output of the buffers is connected to the Vref and Vin inputs of TA and, the TA outputs are connected to a pair of load capacitors which simulate the loads to which it will be supported. The frequency of signals used to simulate this Testbench is 200 KHz and the VDD is 1.8 V.

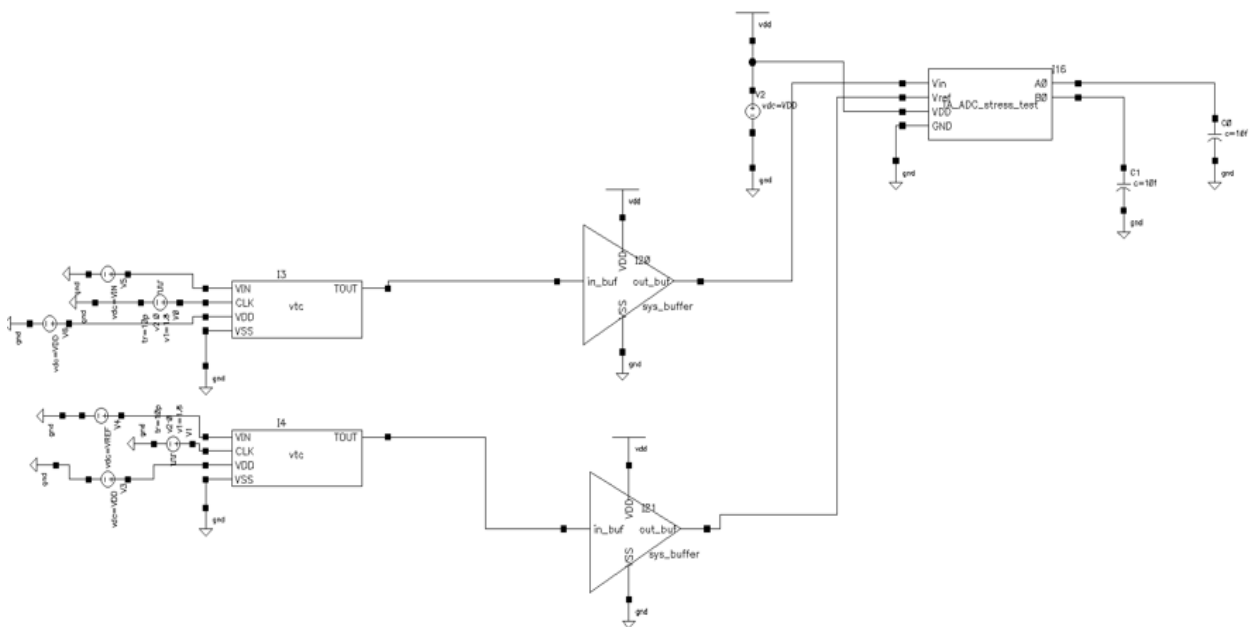


Fig. 4.1: Testbench Schematic to test the performance of TA circuit together the VTC.

In Figs. 4.2, to 4.4, the transient response of TA and VTC is shown. In this simulation we used three different Vin values in order to generate various input time differences between the VTC connected to Vref and Vin.

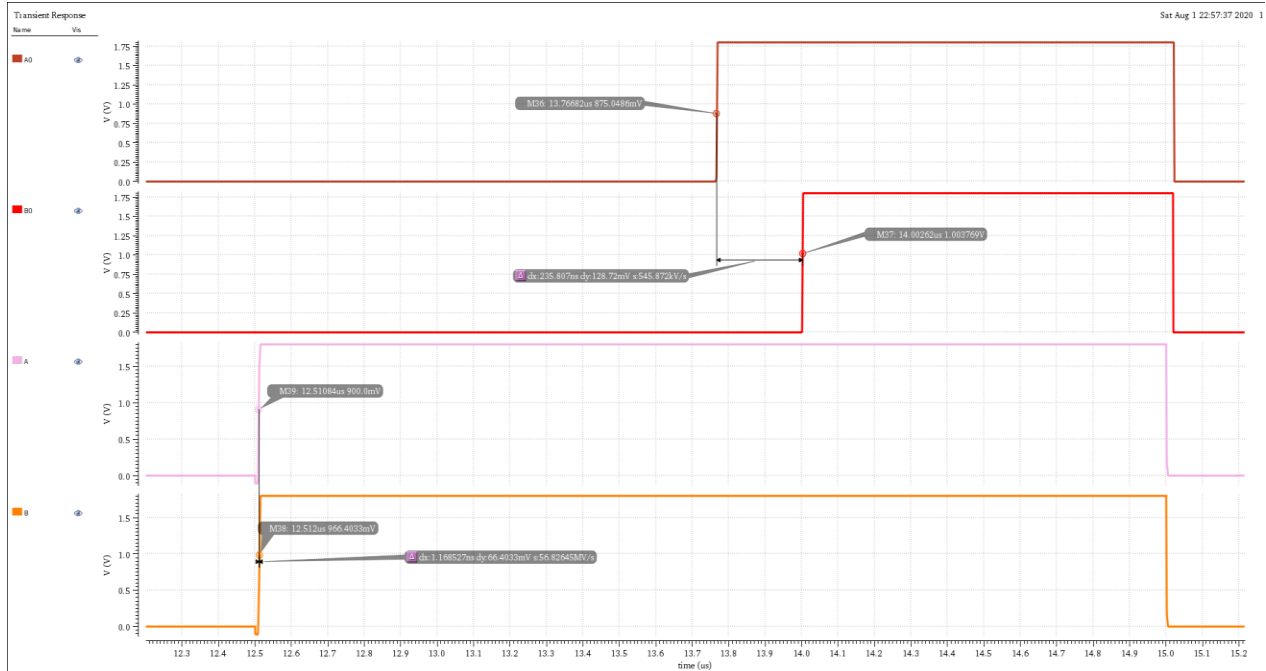


Fig. 4.2: Transient response of TA circuit with a  $V_{ref} = 750 \text{ mV}$ ,  $V_{in} = 800 \text{ mV}$ , and  $\Delta T_{in} = 1.168527 \text{ nS}$ .

From results shown in Fig. 4.2, we have calculated a  $\Delta T_{out} = 235.807 \text{ nS}$ , and then the is Gain = 201.7985.

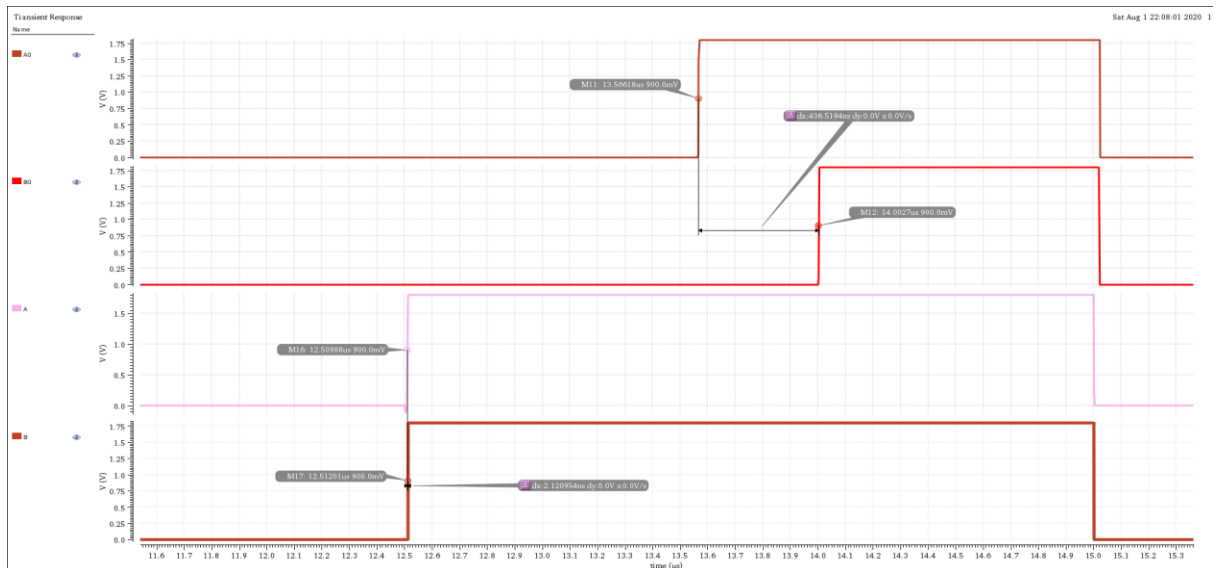


Fig. 4.3: Transient response of TA circuit with a  $V_{ref} = 750 \text{ mV}$ ,  $V_{in} = 850 \text{ mV}$ , and  $\Delta T_{in} = 2.120954 \text{ nS}$ .

In this case, the measured  $\Delta T_{out} = 436.5194 \text{ nS}$  and the resulting Gain = 205.8131497.

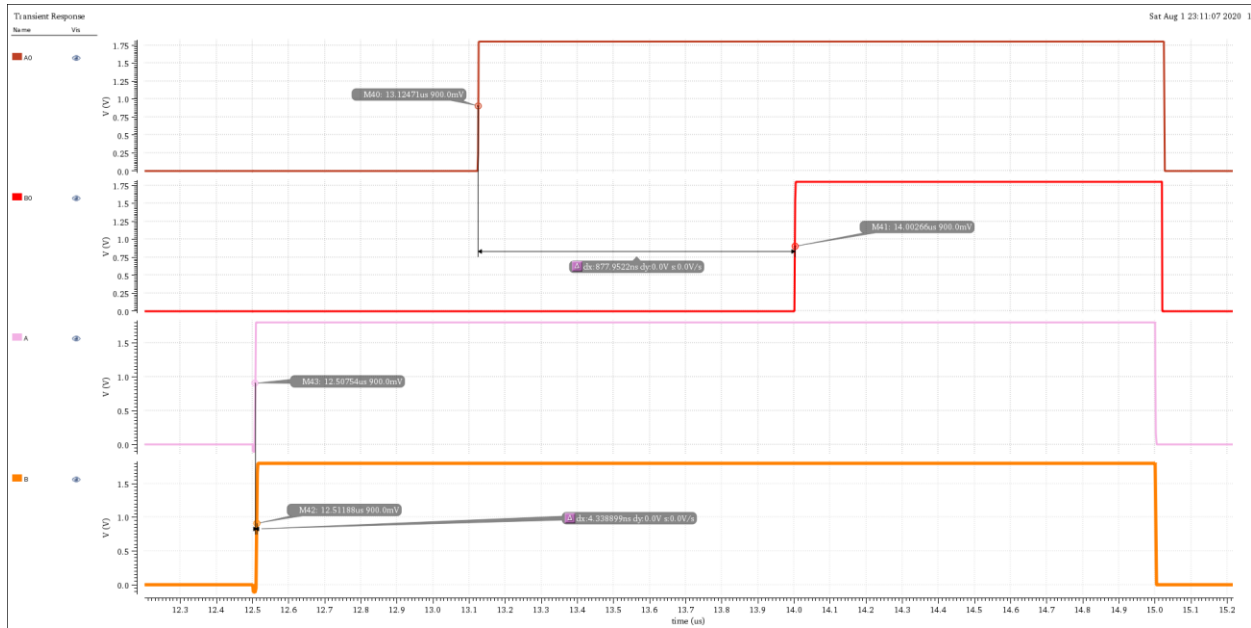


Fig. 4.4: Transient response of TA circuit with a  $V_{ref} = 750 \text{ mV}$ ,  $V_{in} = 1 \text{ V}$ , and  $\Delta T_{in} = 4.338899 \text{ nS}$ .

The measured  $\Delta T_{out} = 877.9522 \text{ nS}$ , and the resulting  $\text{Gain} = 202.34446572$ .

## Section 5. TA Physical Design

### 5.1 Layout Design and Verification

The layout of the TA circuit, which is implemented using TSMC 0.18  $\mu\text{m}$  CMOS technology, is designed using CADENCE tools. For illustration purposes, the design is presented first by cells separately, then, all cells of the TA circuit are assembled. The Layout XL tool from CADENCE provide the option to merge these cells together into one cell. Six interconnect layers were used in the layout design, namely, metal 1, metal 2, metal 3, metal 4, metal 5, and metal 6. The widths of interconnect layers were defined according to DRC rules of TSMC 0.18  $\mu\text{m}$  CMOS technology. We looked for shorter paths of interconnections in order to minimize parasitic effects in the post-layout response. The layout dimension of the TA is 149.985  $\mu\text{m}$  x 168.536  $\mu\text{m}$ , and area of 25.3  $\text{nm}^2$ . The location of the pins was defined in terms of the assigned area and pins locations of other modules in the SAR-ADC floorplan.

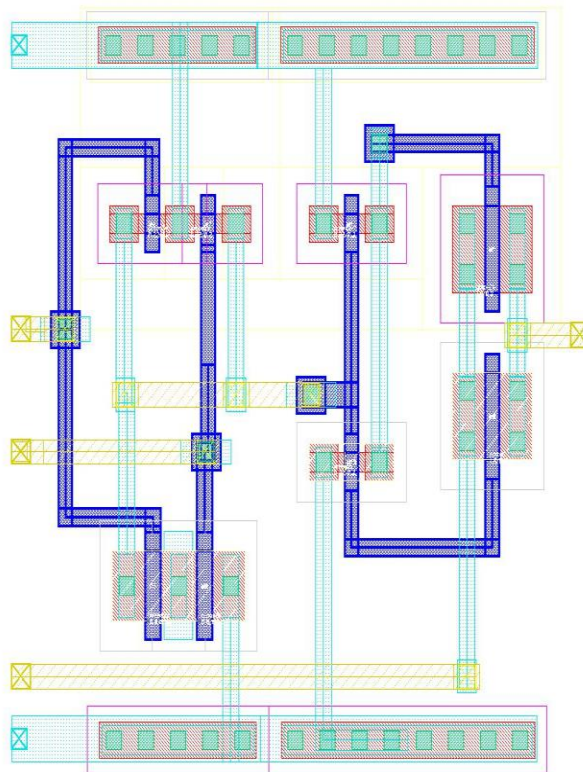


Fig. 5.1: Layout view of the SWNN switch.

Since this switch does not have to be used in other layouts, the dimension is fair and without extra spaces.

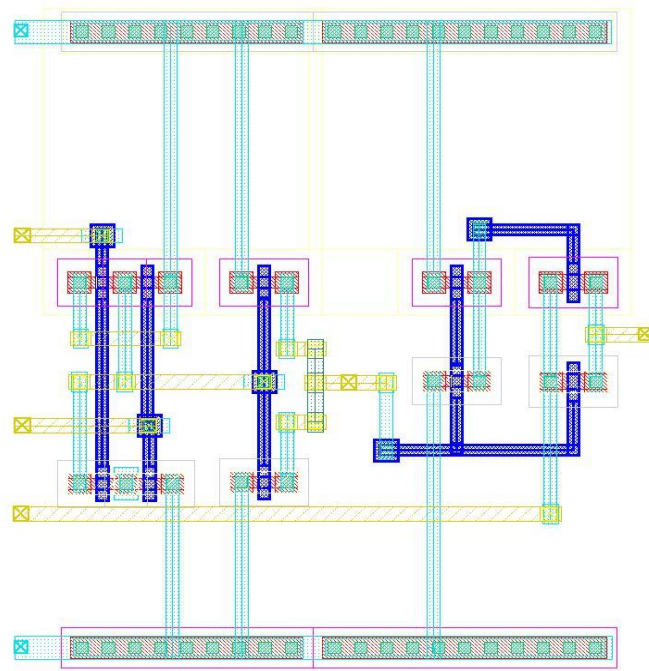


Fig. 5.2: Layout view of the SWPP switch.

The layout of this switch (Fig. 5.2) is seen with even more space at the top and bottom, these spaces are to have a similar height of other blocks in the assembled layout of the TA module.

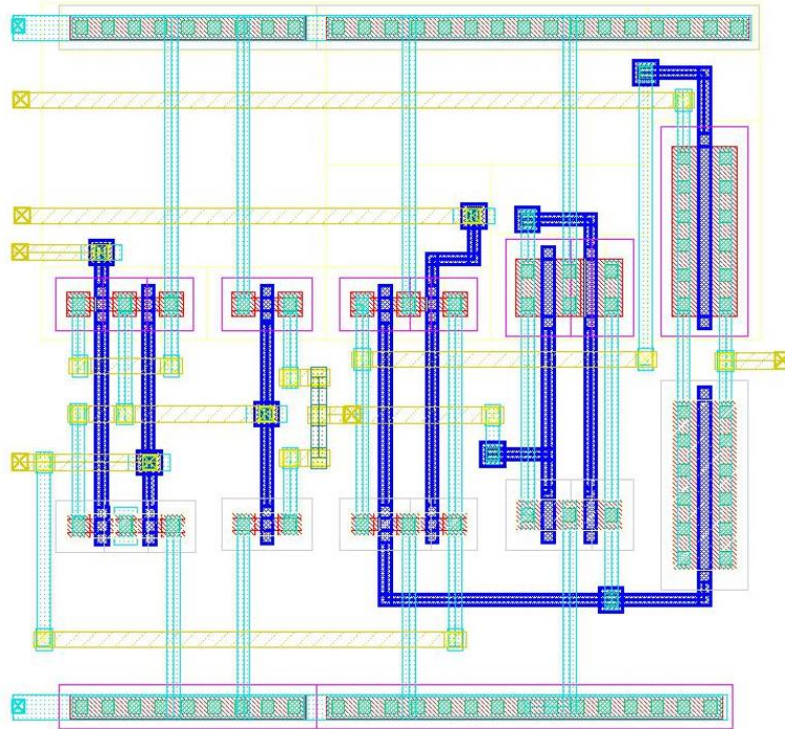


Fig. 5.3: Layout view of the SWPN switch.

This switch is the one with the largest layout of the three switches Fig. 5.3. The larger area is due to more complex logic control circuit.

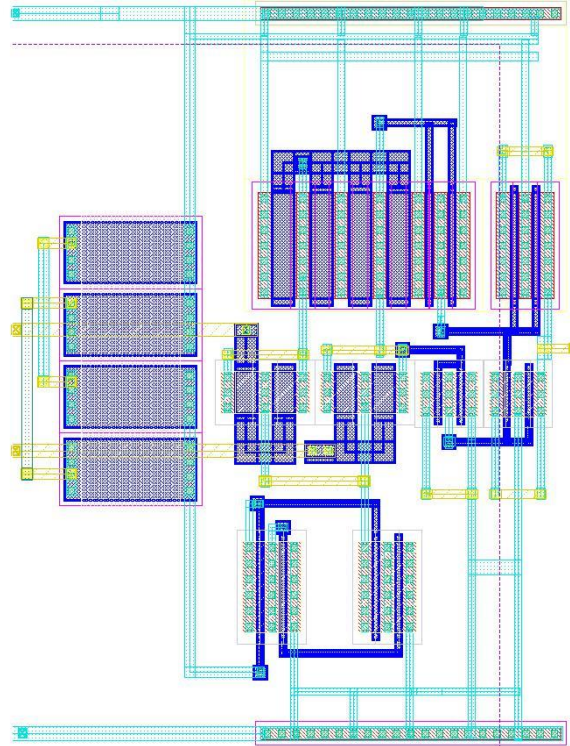


Fig. 5.4: Layout view of the OTA.

The layout of the OTA includes polysilicon resistors that have the same orientation of transistors in order to minimize temperature variations.

The layout of the TA circuit is shown in Fig. 5.5. In this, we note that the larger area is occupied by capacitors and the smallest area occupied by switches, logic control circuit, current mirrors, and comparators. The total layout dimension of the TA cell is  $149.985 \mu\text{m} \times 168.536 \mu\text{m}$  and area of  $25.3 \text{ nm}^2$  which fulfills the area requirements of the SAR-ADC floorplan. All the cells passed the DRC rules checker and LVS rules checker using Assura tools. The results of these tests are presented in the Annex A, B and C.



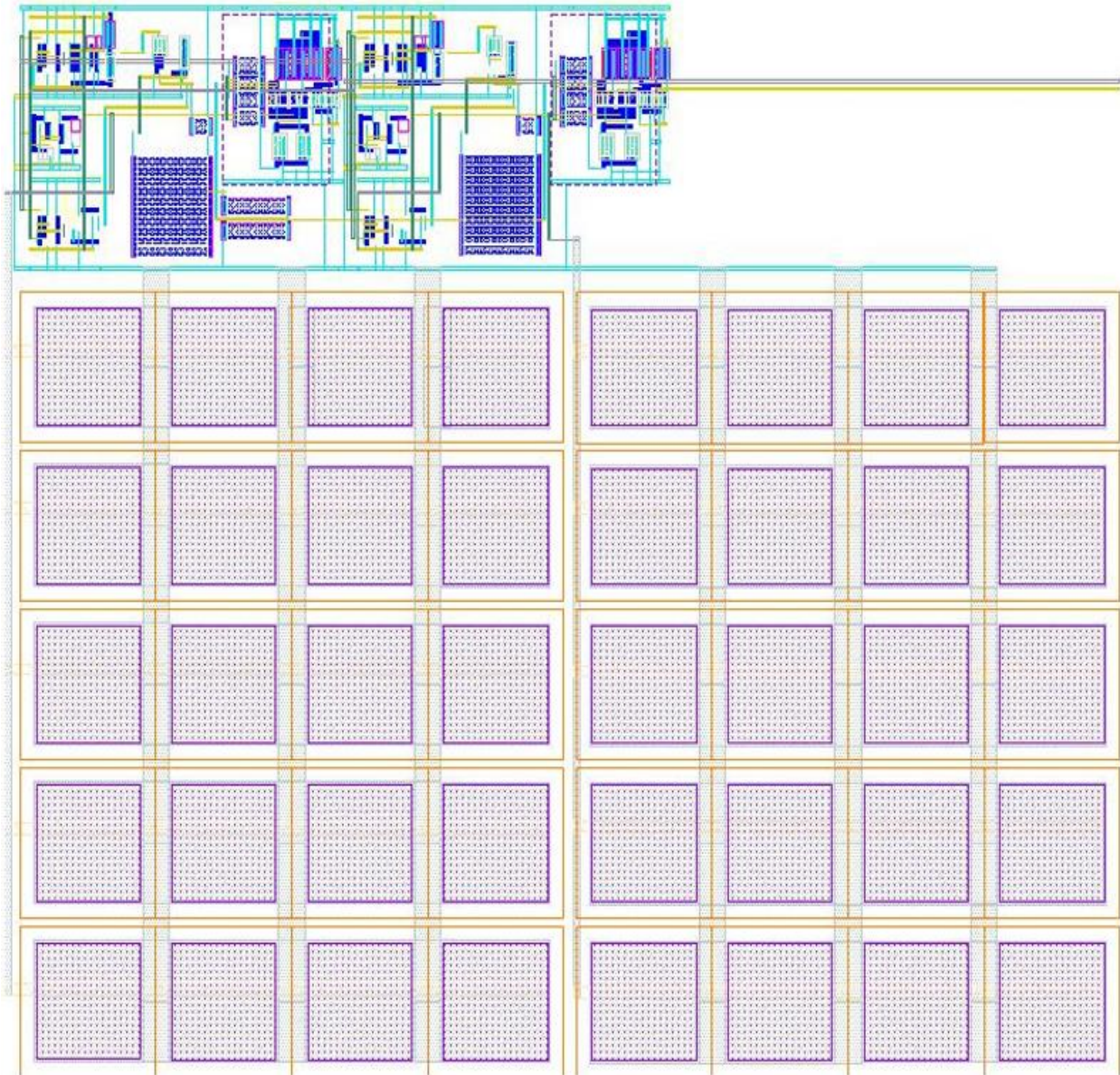


Fig. 5.5: Layout view of the TA circuit.

For time limitations, the post layout analysis has to be done as future work.

## Conclusions

We have performed the physical design of an analog time amplifier for a based-time SAR ADC.

The TA presents a maximum-time gain of 200, with a maximum error of 7%. The maximum time-input range is limited to 4.7 nS. The gain can be increased more than 240, but the error is drastically increased.

The VTC, and TA limitations, impact some requirements of the SAR ADC such as higher clock frequency, and therefore, lower power consumption cannot be achieved.

The simulation results of the TA when it is assembled to the VTC and Arbiter modules show some changes in the gain error. However, this is corrected adding buffer between the TA and VTCs.

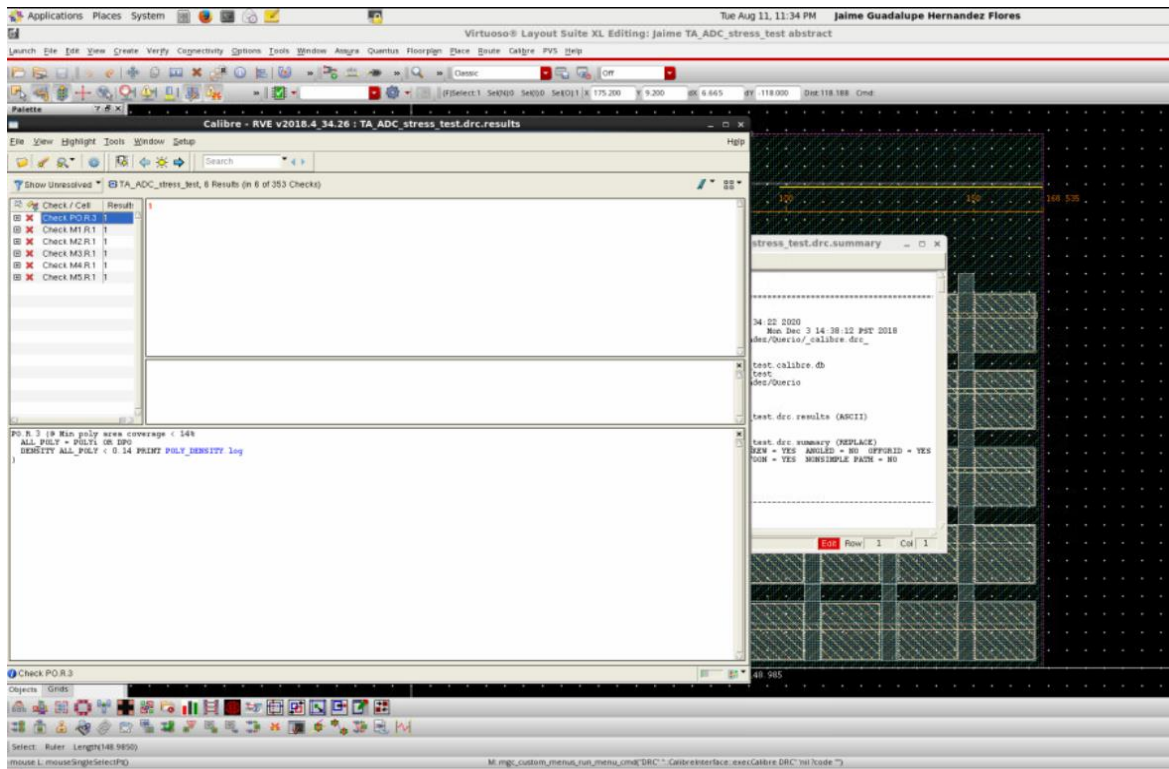
The physical design of the TA, successfully passed the DRC and LVS analysis, despite the fact that we combined several modules, and that we have used up to 6 level of metals.

## References

- [1] V. P. Singh, G. K. Sharma and A. Shukla, "Power efficient SAR ADC designed in 90 nm CMOS technology," 2017 2nd International Conference on Telecommunication and Networks (TEL-NET), Noida, India, 2017, pp. 1-5, doi: 10.1109/TEL-NET.2017.8343542.
- [2] Cristian Figueroa, Esteban Martinez Guerrero and Cuauhtémoc Rafael Aguilera Galicia, "Implementing a Highly-linear Voltage-to-time Converter Circuit for a Low Power 10-bit 200kS/s SAR ADC with Adaptive Conversion Cycle for High-Quality Audio Applications in 0.18um TSMC CMOS Process Technology" Internal Report, 2020.
- [3] B. Tong, W. Yan and X. Zhou, "A constant-gain time-amplifier with digital self-calibration," *2009 IEEE 8th International Conference on ASIC*, Changsha, Hunan, China, 2009, pp. 1133-1136, doi: 10.1109/ASICON.2009.5351370.
- [4] M. Lee and A. A. Abidi, "A 9b, 1.25ps Resolution Coarse-Fine Time-to-Digital Converter in 90nm CMOS that Amplifies a Time Residue," *2007 IEEE Symposium on VLSI Circuits*, Kyoto, Japan, 2007, pp. 168-169, doi: 10.1109/VLSIC.2007.4342701.
- [5] Y. Hu, F. Farahbakhshian and U. Moon, "Time amplifiers based on phase accumulation," *2014 IEEE International Symposium on Circuits and Systems (ISCAS)*, Melbourne, Australia, VIC, 2014, pp. 2349-2352, doi: 10.1109/ISCAS.2014.6865643
- [6] A. Salimi, "An adaptive open loop gain-controlled time amplifier," 2017 Iranian Conference on Electrical Engineering (ICEE), Tehran, 2017, pp. 179-182, doi: 10.1109/IranianCEE.2017.7985386.
- [7] H.-J K won, J-S. Lee, Byungsub Kim, J-Y. Sim, and H.-J Park, "Aanalysis of and Open-Loop Time Amplifier with a Time Gain DSyestteermmsi ned by the Ratio of Bias Current," *JEEE Tran. Circuit and 11*, vol. 6 1, no. 7, pp. 48 1 -485, July. 2014.

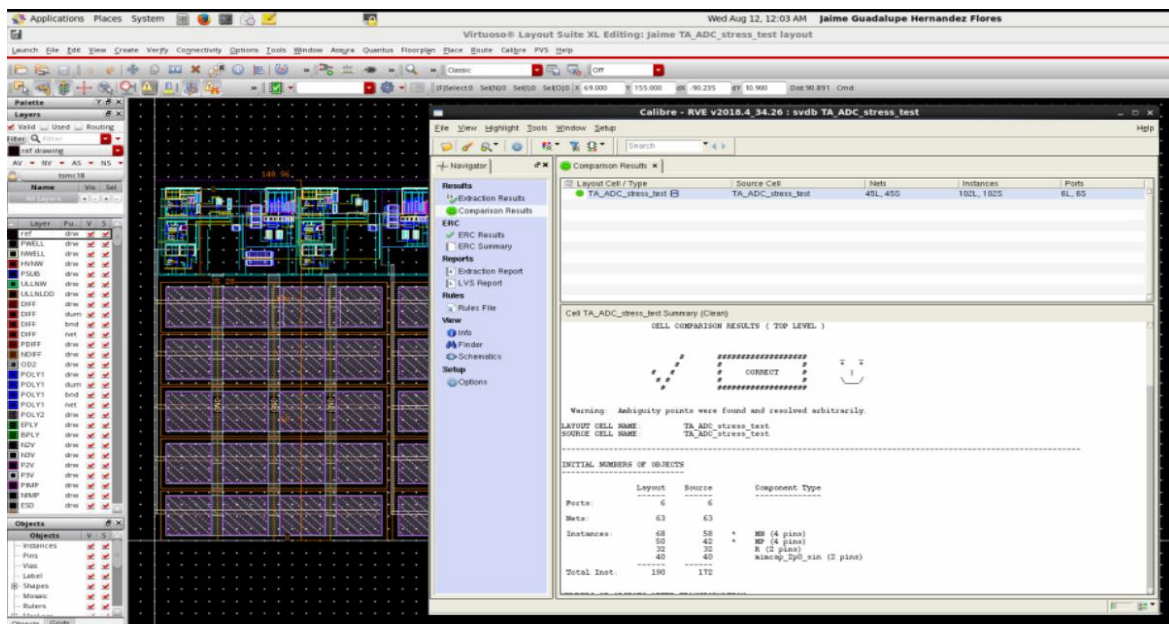
# Annex:

## A) DRC\_CALIBRE:



\*density metal errors no considered

## B) LVS\_CALIBRE:





### C) LVS\_ASSURA:

