

# Strip-PET: a novel detector concept for the TOF-PET scanner

Paweł Moskał, Tomasz Bednarski, Piotr Białas, Marta Ciszewska, Eryk Czerwiński, Andrzej Heczko, Marcin Kajetanowicz, Łukasz Kapłon, Andrzej Kochanowski, Gabriela Konopka-Cupiał, Grzegorz Korcyl, Wojciech Krzemień, Konrad Łojek, Jerzy Majewski, Wojciech Migdał, Marcin Molenda, Szymon Niedźwiecki, Marek Palka, Zbigniew Rudy, Piotr Salabura, Michał Silarski, Artur Słomski, Jerzy Smyrski, Jarosław Zdebik, Marcin Zieliński  
Jagiellonian University, Cracow, Poland

## Abstract

We briefly present a design of a new PET scanner based on strips of polymer scintillators arranged in a barrel constituting a large acceptance detector. The solution proposed is based on the superior timing properties of the polymer scintillators. The position and time of the reaction of the gamma quanta in the detector material will be determined based on the time of arrival of light signals to the edges of the scintillator strips.

**Key words:** positron emission tomography, polymer scintillators, time of flight

Nuclear Med Rev 2012; 15, suppl. C: C68–C69

## Introduction

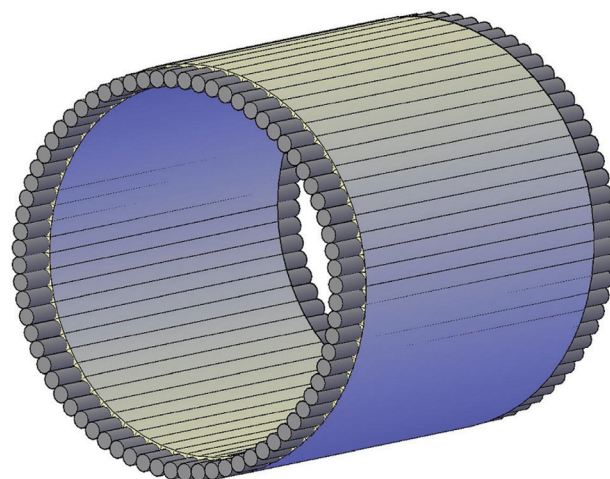
At present all commercial PET devices use inorganic scintillator crystals as radiation detectors [1–4]. This is one of the reasons making the PET scanners very expensive. Therefore, we are developing a technology which would allow construction of a PET scanner based on low cost organic scintillators. In the accompanying paper [5] we have argued that disadvantages due to the low detection efficiency and negligible probability for photoelectric effect of organic scintillators can be compensated by

large acceptance and improved time resolution achievable with polymer scintillator detectors. In this contribution we present one of the specific solutions referred to as strip-PET which may allow enlargement of diagnostic chambers without an increase of the number of photomultipliers [6].

## Strip-PET

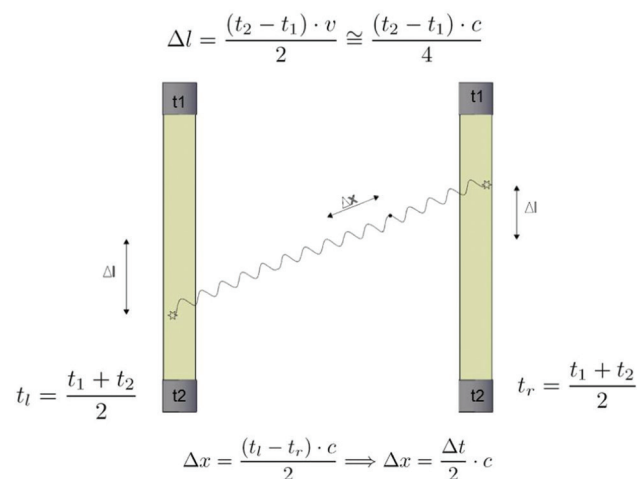
The strip-PET test chamber may be formed from strips of organic scintillator. A schematic view of such diagnostic chamber is shown in Figure 1.

Light signals from each strip are converted to electrical signals by two photomultipliers placed at opposite edges. The scheme of two detector modules is shown in Figure 2. The hit position versus the center of the scintillator ( $\Delta l$ ) is determined based on time difference measured on both sides of the scintillation strip. The time at which gamma quantum hits the module can be determined as an arithmetic mean of times measured on both sides of the module. Position ( $\Delta x$ ) along the line of response is determined from time difference between two modules according to the formula shown in Figure 2. In thin plastic scintillator strips the light signal propagates with velocity of about half of the speed of light in vacuum:  $c/2$ . Thus, the resolution of the ( $\Delta l$ ) determination can be expressed as  $\text{FWHM}(\Delta l) \approx \text{FWHM}(\Delta t) * c/4$ , where  $\text{FWHM}(\Delta t)$  denotes the resolution of the time difference measurement between photo-



**Figure 1.** One of the possible arrangements of strips forming a strip-PET diagnostic chamber. Patient would horizontally lie inside the barrel, along scintillator strips

Correspondence to: Paweł Moskał  
Uniwersytet Jagielloński  
Instytut Fizyki, Zakład Fizyki Jądrowej  
ul. Reymonta 4, 30-059 Kraków  
Tel.: (012) 663-55-58  
Faks: (012) 634-20-38  
E-mail: p.moskał@uj.edu.pl



**Figure 2.** Schematic view of two modules of the PET detector referred to as strip-PET

multipliers on both sides. This translates to  $\text{FWHM}(\Delta t)/2$  of a time resolution of a single module giving  $\text{FWHM}(\text{TOF}) = \text{FWHM}(\Delta t)/\sqrt{2}$  and as a consequence  $\text{FWHM}(\Delta x) \approx \text{FWHM}(\Delta t) \cdot c/2\sqrt{2}$ . Hence, this solution requires  $\text{FWHM}(\Delta t)$  equal to about 70 ps in order to achieve the resolution of the position determination along the scintillator strip equal to  $\text{FWHM}(\Delta l) \approx 0.5$  cm. Such resolution of time-of-flight measurement would result in the determination of the annihilation point along the line-of-response with accuracy of  $\text{FWHM}(\Delta x) \approx 0.7$  cm. The up-to-date detectors do not provide such time precision of the detection of the annihilation gamma

quanta. Therefore, the development of the readout electronics and the methods of reconstruction of the time of the signal arrival is at present the main goal of our investigations.

In order to compensate for low density of plastic scintillators several layers of strips could be placed around a patient. It is also worth mentioning that the discussed design of the PET detector allows not only an integration with CT or NMR modality as it is in the case of current scanners, but it also offers new possibilities of combining PET with CT and PET with NMR, so that the same part of the body can be scanned with both methods without moving the patient.

## Acknowledgement

Authors acknowledge support of the Foundation for Polish Science and the Polish National Center for Development and Research.

## References

1. Saha G. Basics of PET imaging. Springer, New York 2010.
2. Humm JL et al. From PET detectors to PET scanners. *Eur J Nucl Med Mol Imaging* 2003; 30: 1574.
3. Karp JS et al. Benefit of Time-of-Flight in PET: Experimental and Clinical Results. *J Nucl Med* 2008; 49: 462.
4. Conti M. State of the art and challenges of time-of-flight PET. *Physica Medica* 2009; 25: 1.
5. Moskal P et al. TOF-PET detector concept based on organic scintillators. *Nuclear Med Rev* 2012; 15 Suppl. C: C81–C84.
6. Moskal P et al. Novel detector systems for the positron emission tomography. *Bio-Algorithms and Med-Systems* 2011; 7: 73.