



## Phonon dispersion in 1-layer cuprate $\text{HgBa}_2\text{CuO}_{4+d}$

Matteo D'Astuto, Alessandro Mirone, Paola Giura, Dorothée Colson, Anne Forget, Michael Krisch

### ► To cite this version:

Matteo D'Astuto, Alessandro Mirone, Paola Giura, Dorothée Colson, Anne Forget, et al.. Phonon dispersion in 1-layer cuprate  $\text{HgBa}_2\text{CuO}_{4+d}$ . Journal of Physics: Condensed Matter, IOP Publishing, 2003, 15, pp.8827. <hal-00000617v3>

**HAL Id: hal-00000617**

**<https://hal.archives-ouvertes.fr/hal-00000617v3>**

Submitted on 27 Nov 2003

**HAL** is a multi-disciplinary open access archive for the deposit and dissemination of scientific research documents, whether they are published or not. The documents may come from teaching and research institutions in France or abroad, or from public or private research centers.

L'archive ouverte pluridisciplinaire **HAL**, est destinée au dépôt et à la diffusion de documents scientifiques de niveau recherche, publiés ou non, émanant des établissements d'enseignement et de recherche français ou étrangers, des laboratoires publics ou privés.

# Phonon dispersion in the 1-layer cuprate $\text{HgBa}_2\text{CuO}_{4+\delta}$

Matteo d'Astuto<sup>†§</sup>, Alessandro Mirone<sup>†</sup>, Paola Giura<sup>†</sup>,  
Dorothee Colson<sup>‡</sup>, Anne Forget<sup>‡</sup> and Michael Krisch<sup>†</sup>

<sup>†</sup>European Synchrotron Radiation Facility, BP 220, F-38043 Grenoble Cedex, France

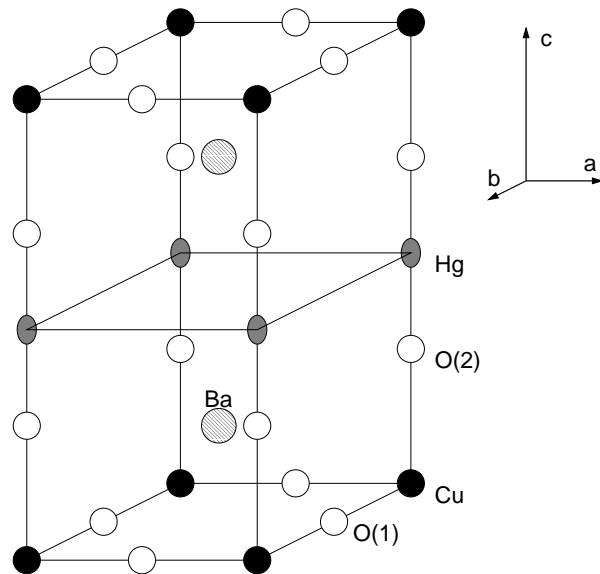
<sup>‡</sup>Service de Physique de l'Etat Condensé, CEA Saclay, F-91191 Gif-sur-Yvette  
Cedex, France

E-mail: [matteo.dastuto@pmc.jussieu.fr](mailto:matteo.dastuto@pmc.jussieu.fr)

**Abstract.** We investigate the low energy acoustical and optical modes in  $\text{HgBa}_2\text{CuO}_{4+\delta}$  using inelastic x-ray scattering (IXS). The experimental phonon dispersion and the dynamical structure factor are compared with an atomic shell model, and the set of the atomic potentials obtained are discussed. Our results are also compared with those obtained by Raman spectroscopy and with density-of-state data measured by inelastic neutron scattering.

PACS numbers: 74.72.Jt, 74.25.Kc, 78.70.Ck

§ Present address: Physique des Milieux Condensés, Université Pierre et Marie Curie, CNRS UMR 76  
02, F-75252 Paris Cédex 05, France



**Figure 1.** Crystal structure of  $\text{HgBa}_2\text{CuO}_{4+\delta}$ . O(1) *in-plane* oxygen, O(2) *out-of-plane* oxygen,  $a = b = 3.874(1) \text{ \AA}$ ,  $c = 9.504(9) \text{ \AA}$ ,  $z_{\text{O}(2)} = 0.2092(6)$  r.l.u.,  $z_{\text{Ba}} = 0.2.991(1)$  r.l.u. (Bertinotti *et al* 1996).

## 1. Introduction

The cuprate family of  $\text{HgBa}_2\text{Ca}_{n-1}\text{Cu}_n\text{O}_{2n+2+\delta}$  (or Hg-12(n-1)n) has the highest known superconducting transition temperature at ambient pressure, with a  $T_c$  of 136K for the 3-layer compound  $\text{HgBa}_2\text{Ca}_2\text{Cu}_3\text{O}_{8+\delta}$  (Hg-1223) (Putilin *et al* 1993, Schilling *et al* 1993). Moreover, its superconducting gap shows a peculiar symmetry, different from the  $d_{x^2-y^2}$  symmetry found in the majority of the other cuprates, as Sacuto *et al* (1997) clearly proved for  $\text{HgBa}_2\text{CaCu}_2\text{O}_{6+\delta}$  (Hg-1212). Within this family,  $\text{HgBa}_2\text{CuO}_{4+\delta}$  (Hg-1201) is perhaps even more intriguing, being the 1-layer hole doped cuprate with the highest superconducting transition temperature  $T_c = 97 \text{ K}$ , more than twice the one of the other 1-layer cuprates (25 K - 40 K). At the same time it presents one of the simplest crystal structures, a tetragonal primitive P/4mmm (see figure 1) symmetry, with very little impurities, no distortions and almost perfect square Cu-O<sub>2</sub> planes (Bertinotti *et al* 1997). For these reasons, Hg-1201 is considered as a prototype among the superconductor cuprates and relevant informations on the origin and on the detailed microscopic mechanism of the superconductivity are expected from the study of the collective excitations dynamics (electronic, crystalline, *e.g.* phonons, and magnetic||) of this system. However, such kind of study is experimentally not trivial since the synthesis

|| For a full discussion of the superconductivity in cuprates and the role of the different collective excitations in these systems we refer the reader to the review by Orenstein and Millis (2000), Hussey (2002) and Moriya and Ueda (2003), while, for a discussion of the role of phonons in cuprates, to Pintschovius and Reichardt (1998) as well as the recent works of Anderson (2002), Bohnen *et al* (2002), Chung *et al* (2003) and Bishop *et al* (2003) and the references therein.

of superconducting Hg-1201 single crystals is possible only for volumes smaller than  $0.1 \text{ mm}^3$  (see Bertinotti *et al* 1997). Such a size is insufficient for inelastic neutron scattering (INS), that is the standard technique used to measure the dispersion of phonons. For this reason, phonon data on this system were, up to now, limited to the ones obtained by INS performed on powders, which gives a measure of the Phonon Density Of State (PDOS) (Renker *et al* 1996) and by Raman spectroscopy (Hur *et al* 1993, Krantz *et al* 1994, Lee *et al* 1994, Ren *et al* 1994, Yang *et al* 1995, Zhou *et al* 1996a, 1996b, Poulakis *et al* 1999 and Cai *et al* 2001). These experimental results have been analysed using a shell model calculation by Renker *et al* (1996) and Stachiotti *et al* (1995), who have also determined the zone centre frequencies from frozen-phonon first principle calculations.

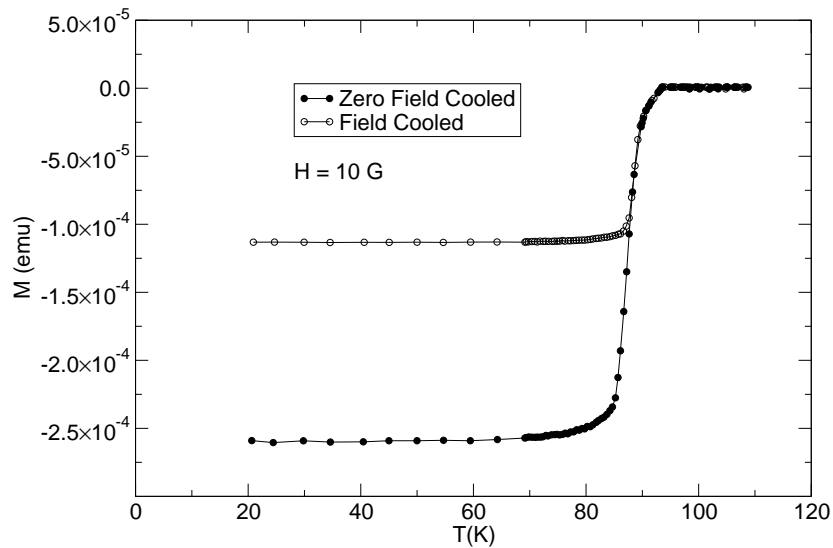
Nowadays, the study of the phonon dispersion in sub-millimeter size cuprate crystals, is possible by means of inelastic x-ray scattering (IXS), as it has been shown by d'Astuto *et al* (2002, 2003), and, very recently, by Fukuda *et al* (2003). Nevertheless, the measurements of phonons by IXS still represent a difficult task, since the relevant scattering cross section,  $\propto f(Q)^2 \propto Z^2$ , is due to the oxygen motion, while the relevant penetration depth,  $\propto \frac{1}{Z^4}$ , is dominated by the high  $Z$  ions (neodymium in d'Astuto *et al* (2002, 2003) or mercury and barium in the present work), a fact that strongly reduces the scattering volume. Moreover, the tails of the elastic as well as the low energy phonon lines, to which all the atoms contribute, rise the background under the weaker high energy phonons. For further detail see d'Astuto *et al* (2003). Nevertheless, despite these experimental difficulties, Hg-1201 still remains, thanks to its simple structure, one of the most suitable systems for the understanding of the phonon dispersion and consequently of the effects of the electron-phonon coupling.

In this first investigation, we focus the analysis on the Hg-1201 low energy acoustical and optical modes, both in longitudinal and transverse polarisation. A particular attention is dedicated to the calculation of the dispersion of the transverse acoustic ones, in order to establish an accurate theoretical model able to predict the energy position and the intensity of the phonons along the dispersion curve. A careful estimation of the dynamical structure factor is, indeed, fundamental to select the optimal Brillouin zone which maximise the intensity of the high energy modes that scatter weakly the X-rays, as well as to assign the correct character to the observed branches.

## 2. Experiment

### 2.1. Samples

The single crystals of Hg-1201 were successfully grown by the flux method. The procedure for crystal growth will be described elsewhere (Colson *et al* to be published). The sample size is about  $1 \times 1 \times 0.1 \text{ mm}$ , with the shorter size along the  $c$  axis. The sample is as-grown, with no annealing process, in order to have the best crystalline quality: typical mosaic spread around the  $a$ -direction is of about  $0.03^\circ$ . As the sample is as-



**Figure 2.** Magnetisation as a function of temperature for the sample used in the present experiment.

grown, the superconducting transition is not sharp, but spread out over a temperature range of  $\Delta T \simeq 5$  K ( $90\%T_c$ - $10\%T_c$ ), as shown in figure 2, with a nearly optimal  $T_c$  onset of about 94 K.

## 2.2. Inelastic X-ray scattering

The IXS measurements were carried out on the undulator beam-line ID28 at the European Synchrotron Radiation Facility, Grenoble. The incident beam is monochromatized by a perfect plane Si-crystal (Verbeni *et al* 1996), working in extreme backscattering geometry at the (9,9,9) reflection (17794 eV), with  $\approx 0.7$  THz resolution and a wavelength  $\lambda = 0.6968$  Å, and at the (8,8,8) reflection (15817 eV) with  $\approx 1.3$  THz resolution, high flux and a wavelength  $\lambda = 0.7839$  Å. The monochromatic beam is focused onto the sample position by a toroidal mirror in a  $250 \times 90 \mu\text{m}^2$  spot. The scattered photons are analysed by a bench of five spherically-bent high-resolution Si analysers (Masciovecchio *et al* 1996a, 1996b), placed on a 7 m long horizontal arm. The analysers are held one next to the other with a constant angular offset of about  $1.5^\circ$  and operate in backscattering geometry at the same reflection order as the monochromator. The sample was kept at ambient temperature in a vacuum chamber in order to prevent scattering from air and oxidation of the specimens. The sample chamber is held on a standard diffraction goniometer. The energy ( $h\nu$ ) scans are performed by varying the monochromator temperature while keeping the analyser crystals at a fixed temperature. Further details of the technique can be found in the reviews of Sette *et al* (1996) and Burkel (2000). Krisch *et al* (2002) give a detailed description of the set-up for the ID28 spectrometer at ESRF, as used in the present work.

IXS scans were taken at  $Q=G+q$  points of the reciprocal lattice, where  $G$  is the zone centre vector, and  $q$  is the reduced vector which corresponds to the phonon propagation vector. Longitudinal or (*quasi*-)transverse phonon polarisation can be selected according to the relative direction of  $q$  and  $Q$ : parallel for longitudinal scans or (nearly) perpendicular in the second case.

### 2.3. Data analysis

The energy scans are fitted using a sum of Pseudo-Voigt functions:

$$I \left( (1 - \eta) \frac{\Gamma^2}{(\epsilon - \epsilon_0)^2 + \Gamma^2} + \eta \exp \left( -\frac{(\ln 2)(\epsilon - \epsilon_0)^2}{\Gamma^2} \right) \right) \quad (1)$$

where  $\epsilon = \hbar\omega = h\nu$  is the energy, for both the elastic and the inelastic contributions. The half-width-half-maximum (HWHM)  $\Gamma$  is fixed to the value obtained from a fit of the elastic line due to diffuse scattering. The instrumental line-shape parameter  $\eta$  was taken from a fit to IXS data of Nitrogen (Cunsolo *et al* 2003) at  $Q \approx 1.9 \text{ \AA}^{-1}$ ,  $P=0.25$  bar and  $T=66.4$  K, where the diffusion is purely elastic as established by Carneiro and McTague (1975). The line shape described above is in excellent agreement with the instrumental line-shape as can be seen from the elastic signal fit in the energy scans of figure 3. The position  $\epsilon_0$  and intensity  $I$  of this model are fitted to the IXS signal from the phonons of the  $\text{HgBa}_2\text{CuO}_{4+\delta}$  crystals using a  $\chi^2$ -minimisation routine (James and Roos 1975), with the condition that the detailed balance between Stokes and anti-Stokes excitations is fulfilled. A constant background, coming essentially from electronic noise, is added.

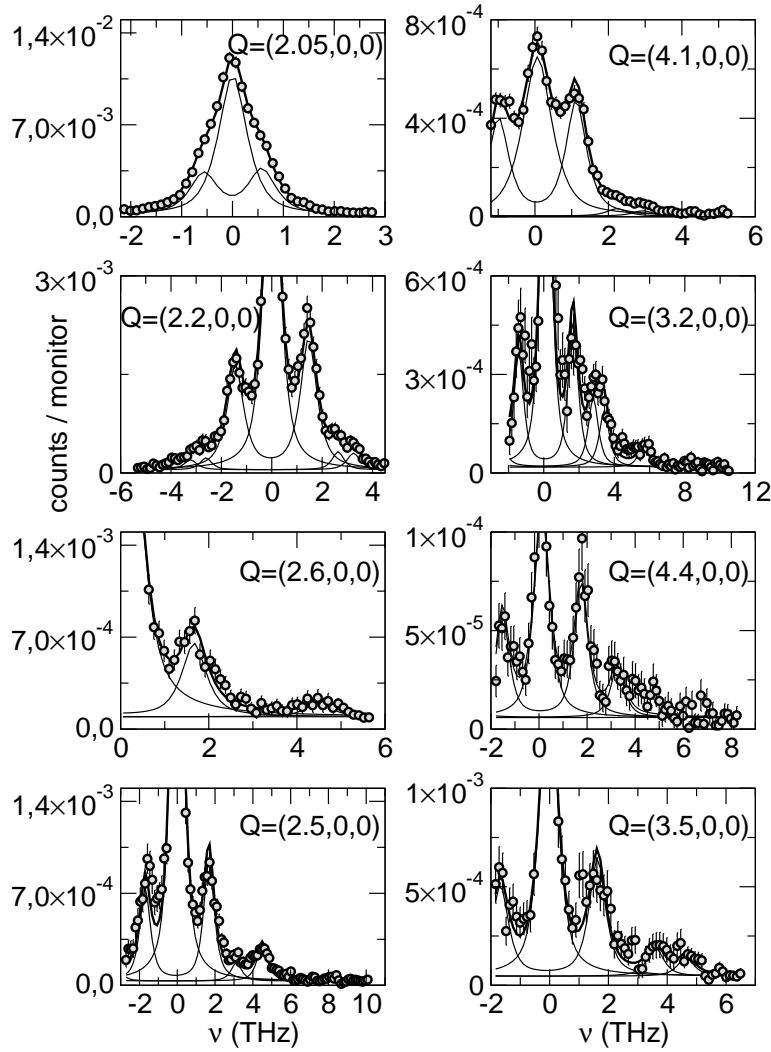
### 2.4. Numerical modelling

Phonon mode frequencies and related atomic displacements were obtained from the diagonalisation of the dynamical matrix of a classical shell model with atomic potentials, including screened Coulomb interactions. The matrix was built and diagonalised using the *OpenPhonon* code (Mirone 2003, Mirone and d'Astuto 2003), as in d'Astuto *et al* (2002, 2003).

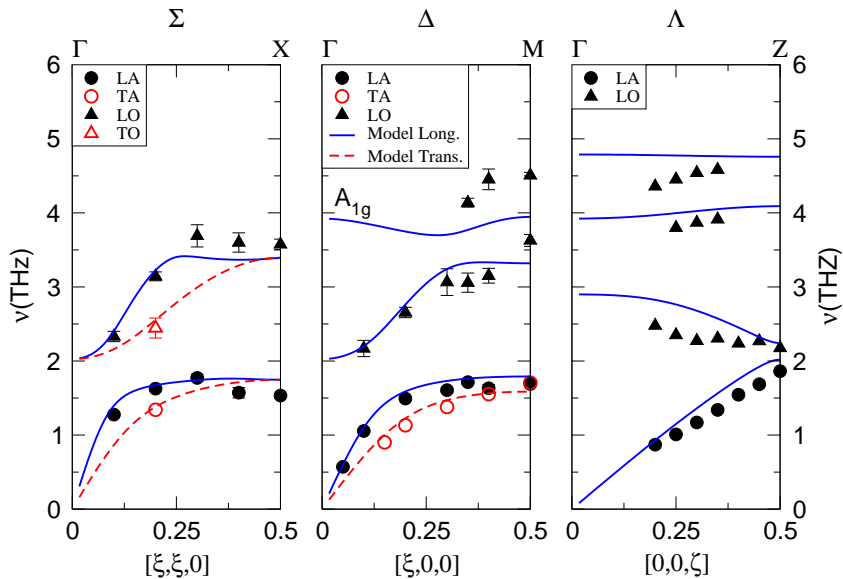
The PDOS is constructed as a 200 points histogram, whose frequency coordinates range from zero up to the maximum eigen-frequency of the system. The histogram bins are filled calculating the eigen-frequencies over the Brillouin zone on a  $11 \times 11 \times 11$  grid. Symmetries are used to reduce the number of necessary calculations. To get the partial DOS for a given site group, the contributions are weighted when added on a particular bin. The weight is calculated as the modulus square of the eigenvector projection over the considered degrees of freedom (Mirone 2003, Mirone and d'Astuto 2003).

## 3. Results

Figure 3 reports some representative IXS scans in Hg-1201. Each graph corresponds to a different scattering vector, in two different Brillouin zones. Every scan shows a central



**Figure 3.** Typical inelastic X-ray scattering (IXS) scans of  $\text{HgBa}_2\text{CuO}_{4+\delta}$  at different scattering vectors, with  $\sim 0.7$  THz frequency resolution, normalised to the incident photon flux on an arbitrary scale, and lines correspond to the best fit using the model as explained in section 2. All data have been collected at room temperature in longitudinal configuration (see text) parallel to the  $a^*$  axes, with  $\mathbf{Q}=\mathbf{G}+\mathbf{q}=(H,0,0)+(\xi,0,0)$ . Left side: scans in the third Brillouin zone, with  $H=2$  and  $\xi$  between 0.05 and 0.5. Right side: scans at higher  $Q$ , in the fourth and fifth zone, with  $H=3$  and 4. In the second and the fourth row of the figure, each pair of graphs correspond to the same reduced  $q$  vector, with  $\xi=0.2$  and 0.5.



**Figure 4.** Phonon dispersion in  $\text{HgBa}_2\text{CuO}_{4+\delta}$ , along the main symmetry directions with the reduced vector *in-plane* ( $[\xi, 0, 0]$  and  $[\xi, \xi, 0]$ ), and perpendicular to the  $a^*b^*$  plane  $[0, 0, \zeta]$ . Symbols represent the experimental frequencies determined from the IXS data as described in the text, continuous lines correspond to the calculate dispersion (see section 3 and table 1).

peak, at zero frequency, due to the elastic diffuse scattering, and one or more pairs of peaks due to the inelastic scattering from phonons, corresponding to the Stokes and anti-Stokes components of each mode. Note that some scattering vectors correspond to the same reduced reciprocal lattice vector in two different Brillouin zones, showing the variation in intensity due to the change in the dynamical structure factor. The inelastic lines with the greater intensity are usually well resolved, with the exception of the scan at  $Q=(2.05, 0, 0)$ , where the inelastic contribution is too close to the elastic one, resulting in a pair of shoulders on both sides of the elastic line.

The variation of the frequencies of the phonon modes with the reduced scattering vector  $q$ , obtained by the IXS scans as described above, are shown in figure 4, for the main symmetry direction *in-plane* ( $\Sigma$  and  $\Delta$ ) and along  $c^*$  ( $\Lambda$ ). The two highest optic branches along  $\Lambda$  (right panel of figure 4), whose energy separation is less than the experimental resolution, have been measured in separate scans performed in two different Brillouin zones, according to the calculated intensities. Here we also show the calculated dispersion with the empiric model previously described, obtained using the set of atomic potentials reported in table 1. Note that a degeneracy of the *in-plane* longitudinal and transverse modes is calculated at the  $\Sigma$  zone boundary, as already reported by Stachiotti *et al* (1995). Within the experimental accuracy, a similar degeneracy appear in the data at the  $\Delta$  zone boundary.

Most of the parameters of table 1 are in agreement with the values reported by Renker *et al* (1996) and Chaplot *et al* (1995). Nevertheless some discrepancies have



Site( $\kappa$ )	$Z_\kappa(e)$	$Y_\kappa(e)$	$K_\kappa(\text{Nm}^{-1})$
Hg	1.22	2	700
Ba	1.69	3	700
Cu	1.64	3	2000
O(1,2)	-1.56	-3	1800
Interaction ( $\kappa - \kappa'$ )	$V_{BM}^\circ(\text{eV})$	$r_{\kappa,\kappa'}(\text{\AA})$	
Hg-Ba	2000	0.350	$F_L = F_T = 40 (\text{Nm}^{-1})$
Ba-Cu	2000	0.335	
Hg-O(1)	2000	0.280	
Hg-O(2)	2000	0.280	
Ba-O(1)	2500	0.315	
Ba-O(2)	2500	0.325	
Cu-O(1)	3950	0.228	
Cu-O(2)	460	0.353	
O(i)-O(j) i,j=1,2	2000	0.284	

**Table 1.** Atomic Born von-Karman potential parameter for the calculation of the phonons dispersion (figure 4, bottom panel) and density of state (figure 5, bottom panel). For the definition of the potentials see Chaplot *et al* (1995), and Mirone and d'Astuto (2003).

to be mentioned: the Born - Mayer potentials for the Ba-O(1) and Ba-O(2) bonds are different from the Ba-O potential in Chaplot *et al* (1995), with the first radius  $r_{\kappa,\kappa'}$  slightly shorter and the second slightly larger, according to Renker *et al* (1996). Using a mercury ion polarisability of  $700 \text{ Nm}^{-1}$  ¶, and a slightly stiffer additional force constant along the Hg-O(2) bond, if compared to the one of Renker *et al* (1996), we found a good agreement with our experimental dispersion. The histogram of the PDOS calculated with the parameters of table 1 is shown in figure 5.

In table 2 the calculated Raman shift frequencies for the four Raman active modes together with the experimental ones as found by Zhou *et al* (1996b) are reported (other Raman measurements, as Krantz *et al* (1994), Lee *et al* (1994), Poulakis *et al* (1999) and Cai *et al* (2001), give similar results). Note that the discrepancy between the calculated  $A_{1g}$  Ba mode frequency and the experimental Raman value, of about 0.9 THz, is also present if considering our IXS data, as reported in the central panel of figure 4, although the difference in our case is only  $\sim 0.5$  THz.

¶ Note that this polarisability has the same value given by Chaplot *et al* (1995) for the barium ion

Mode	Exp. (cm <sup>-1</sup> )	Exp. (THz)	Shell Model (THz)
A <sub>1g</sub> O(2)	592	17.75	17.23
E <sub>g</sub> O(2)	165	4.95	7.88
A <sub>1g</sub> Ba	161	4.83	3.92
E <sub>g</sub> Ba	76	2.28	2.84

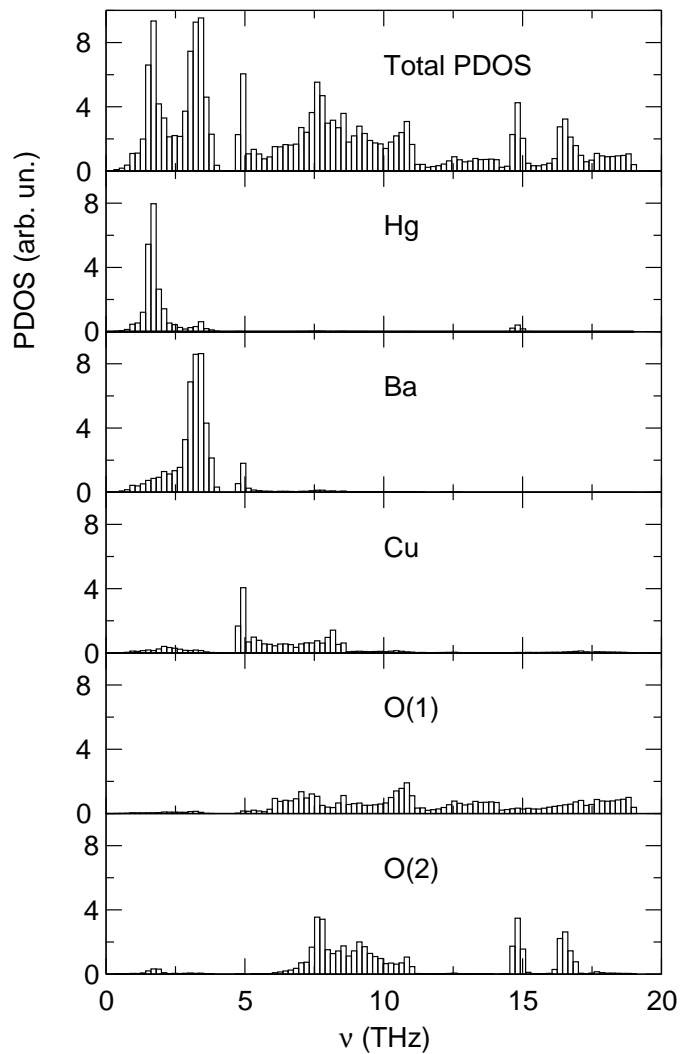
**Table 2.** Comparison between the experimental Raman shift (Zhou *et al* 1996b) and the Shell model (table 1) calculation results for some Raman active mode. For a graphical representation and a symmetry analysis of the modes see Stachiotti *et al* (1995) and Zhou *et al* (1996b).

Finally, by looking at figure 6, in which we report an energy scan performed with the low resolution set up, we note the presence of a weak signal at high frequency. This signal can be assigned to the in plane oxygen vibrations.

#### 4. Discussion

The main problem arising from the model calculation of this system using atomic potentials is that the transverse acoustic *in-plane* modes are not stable. In order to remove this instability it is necessary to add a force constant, which makes the bond between the mercury atom and the apical oxygen O(2) less soft against both longitudinal and transverse strains. This because, as pointed out by Pintschovius and Reichardt (1998), open structures can not be stabilised by simple two body ionic forces, but need the rigidity of covalent bonds. Therefore we have optimised this force constant parameter in order to leave the others atomic potential compatible with the common potential model established by Chaplot and co-workers (1995). We stress here that we have not performed a fit of the experimental frequencies, given the limited amount of data. In the future, a refined model will be given on the base of a more complete set of measurement, including at least some of the high frequency modes. For the present purpose we estimate that this accuracy is sufficient.

Concerning the discrepancy with the Raman data, it has to be noted that: first Zhou and co-workers (1996b) express some doubts on the assignment of the signal at 4.83 THz and at 4.95 THz to the two modes A<sub>1g</sub> Ba and E<sub>g</sub> O(2) respectively; second, no direct comparison with the IXS data is possible, since spectra at the zone centre are, in most cases, dominated by strong elastic scattering, masking the weak signal from the optical branches. Therefore we can only compare the model with IXS results in all

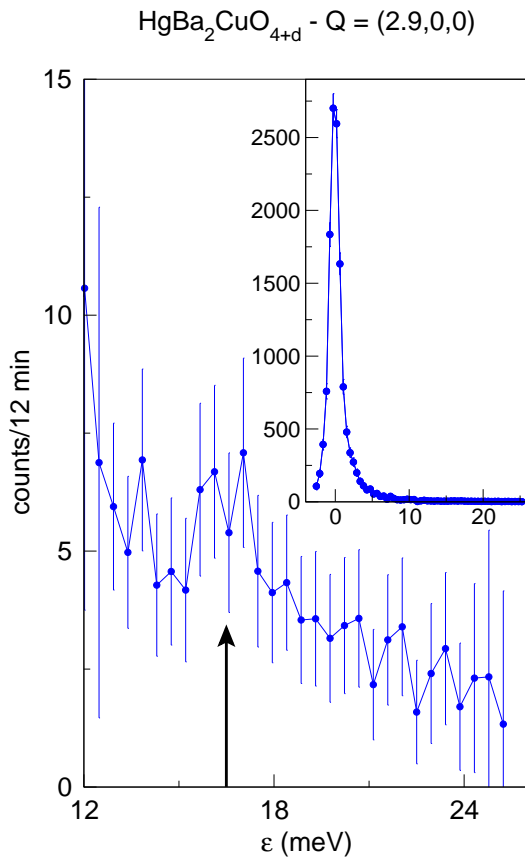


**Figure 5.** Bar chart of the calculated PDOS.

the Brillouin zone but close to  $\Gamma$ , and with Raman results at the zone centre. Further investigation are maybe necessary, as suggested by Zhou *et al* (1996b), for the correct assignment of the zone centre frequencies.

## 5. Conclusion

We have presented the first measurements of the phonon dispersion in superconducting Hg-1201. This is an important starting point for further investigations aiming in detecting possible anomalies which can be related to an electron-phonon coupling effect, especially the one concerning the high frequency longitudinal optic mode due to oxygen vibration, as previously observed in other cuprate systems (Fukuda *et al* 2003, Chung *et al* 2003, d'Astuto *et al* 2002, 2003 and Pintschovius and Reichardt 1998 and references therein). This search is particularly important in the system Hg-



**Figure 6.** Scan at  $Q=(2.9,0,0)$ , with a resolution of 1.3 THz, using the (888) monochromator reflection.

1201 as it can be considered as the simplest and most perfect prototype of cuprate superconductors. Further efforts have to be made on the experimental side, using IXS technique and Raman spectroscopy, which will greatly benefit from the present reference data and which can be guided by the above proposed model. The spectrum in figure 6 is very promising in that sense, also taking into account the recent improvement in the spectrometer efficiency and in the sample growth.

Possible *ab-initio* determinations of the phonon dispersion can also be very useful for this purpose, and can be previously checked against the present set of data.

### Acknowledgments

We acknowledge G. Monaco for useful discussions and help during the experiments. The authors are grateful to D. Gambetti, C. Henriquet and R. Verbeni for technical help and to J.-L. Hodeau for his help in the crystal orientation. This work has been supported by the European Synchrotron Radiation Facility (Experiment HE-1369).

## References

- Anderson P W 2002 *Preprint* cond-mat/0201429
- Bertinotti A, Colson D, Marucco J-F, Viallet V, Le Bras G, Fruchter L, Marcenat C, Carrington A and Hammann J 1997 *Single Crystals of Mercury Based Cuprates: Growth, Structure and Physical Properties*, in *Studies of High Temperature Superconductors - Hg-Based High Tc Superconductors: Part-I* Ed. Narlikar A, vol. 23 (Nova Science Publisher, New York) p 27-85
- Bertinotti A, Viallet V, Colson D, Marucco J-F, Hammann J, Forget A and Le Bras G 1996 *Physica C* **268** 257-265
- Bishop A R, Mihailovic D and de Leon J M 2003 *J. Phys.: Condens. Matter* **15** L169-L175
- Bohnen K-P, Heid R and Krauss M 2002 *Preprint* cond-mat/0211084
- Burkel E 2000 *Rep. Prog. Phys.* **63** 171-232
- Cai Q, Chandrasekhar M, Chandrasekhar H R, Venkateswaran U, Liou S H and Li R 2001 *Solid State Comm.* **117** 685-690
- Carneiro K and McTague J P 1975 *Phys. Rev. A* **11** 1744
- Chaplot S L, Reichardt W, Pintschovius L and Pika N 1995 *Phys. Rev. B* **52** 7230-7242
- Chung J-H, Egami T, McQueeney R J, Yethiraj M, Arai M, Yokoo T, Petrov Y, Mook H A, Endoh Y, Tajima S, Frost C and Dogan F 2003 *Phys. Rev. B* **67** 014517-9
- Colson D *et al*, to be published
- Cunsolo A, Monaco G, Nardone M, Pratesi G and Verbeni R 2003 *Phys. Rev. B* **67** 024507
- d'Astuto M, Mang P K, Giura P, Shukla A, Ghigna P, Mirone A, Braden M, Greven M, Krisch M and Sette F 2002 *Phys. Rev. Lett.* **88** 167002
- d'Astuto M, Mang P K, Giura P, Shukla A, Mirone A, Krisch M, Sette F, Ghigna P, Braden M and Greven M 2003 *Int. J. Mod. Phys. B* **17** 484-492
- Fukuda T, Mizuki J, Ikeuchi K, Fujita M, Yamada K, Baron A Q R, Tsutsui S, Tanaka Y and Endoh Y 2003 *Preprint* cond-mat/0306190
- Hur N H, Lee H-G, Park J-H, Shin H-S and Yang I-S 1993 *Physica C* **218** 365-368
- Hussey N E 2002 *Advances in Physics* **51** 1685-1771
- James F and Roos M 1975 *Comput. Phys. Comm.* **10** 343-367
- James F and Roos *MINUIT - Function Minimization and Error Analysis - Reference Manual* CERN D506 (Long Writeup) (Computing and Networks Division, CERN, Geneva) available on line <http://cernlib.web.cern.ch/cernlib/>
- Krantz M, Thomson C, Mattausch H and Cardona M 1994 *Phys. Rev. B* **50** 1165-1170
- Krisch M, Brand R A, Chernikov M and Ott H R 2002 *Phys. Rev. B* **65** 134201-7
- Lee H G, Shin H S, Yang I S, Yu J J and Hur N H 1994 *Physica C* **233** 35-39
- Masciovecchio C, Bergmann U, Krisch M, Ruocco G, Sette F and Verbeni R 1996 *Nucl. Instrum. Methods B* **111** 181-186
- Masciovecchio C, Bergmann U, Krisch M, Ruocco G, Sette F and Verbeni R 1996 *Nucl. Instrum. Methods B* **117** 339-340
- Mirone A 2003 *Open Phonon Code Source, version 3* available on <http://www.esrf.fr/computing/scientific/>
- Mirone A and d'Astuto M 2003 *Open Phonon Manual, version 3* available on <http://www.esrf.fr/computing/scientific/>
- Moriya T and Ueda K 2003 *Rep. Prog. Phys.* **66** 1299-1341
- Orenstein J and Millis A J 2000 *Science* **288** 468-474
- Pintschovius L and Reichardt W 1998 *Neutron Scattering in Layered Copper-Oxide Superconductors*, ed. A. Furrer, Physics and Chemistry of Materials with Low-Dimensional Structures vol. 20 (Kluwer Academic Publishers, Dordrecht) p 165
- Poulakis N, Lampakis D, Liarokapis E, Yoshikawa A, Shimoyama J, Kishio K, Peacock G B, Hodges J P, Gameson L, Edwards P P and Panagopoulos C 1999 *Phys. Rev. B* **60** 3244-3251
- Putilin S N, Antipov E V, Chmaisssen O and Marezio M 1993 *Nature* **362** 226-228

- Ren Y T, Chang H, Xiong Q, Xue Y Y and Chu C W 1994 *Physica C* **226** 209-215
- Renker B, Schober H and Gompf F 1996 *J. Low Temp. Phys.* **105** 843-848
- Sacuto A, Combescot R, Bontemps N, Monod P, Viallet V and Colson D 1997 *Europhys. Lett.* **39** 207-212
- Schilling A, Cantoni M, Guo J D and Ott H R 1993 *Nature* **363** 56-58
- Sette, F, Ruocco G, Krisch M, Masciovecchio C and Verbeni R 1996 *Physica Scripta* **T66** 48-56
- Stachiotti M G, Peltzer y Blancá E L, Migoni R L, Rodriguez C O, Christensen N E 1995 *Physica C* **243** 207-213
- Verbeni R, Sette F, Krisch M H, Bergmann U, Gorges B, Halcoussis C, Martel K, Masciovecchio C, Ribois J F, Ruocco G and Sinn H 1996 *J. Synch. Rad.* **3** 62-64
- Yang I S, Lee H G, Hur N H, and Yu J 1995 *Phys. Rev. B* **52** 15078-15081
- Zhou X J, Cardona M, Chu C W, Lin Q M, Loureiro S M and Marezio M 1996a *Phys. Rev. B* **54** 6137-6140
- Zhou X J, Cardona M, Chu C W, Lin Q M, Loureiro S M and Marezio M 1996b *Physica C* **270** 193-206