

# Northumbria Research Link

Citation: Hossin, Khaled, Mahkamov, Khamid and Belgasim, Basim (2020) Thermodynamic Analysis and Sizing of a Small Scale Solar Thermal Power System Based on Organic Rankine Cycle. *Journal of Sustainable Development of Energy, Water and Environment Systems*, 8 (3). pp. 493-506. ISSN 1848-9257

Published by: International Centre for Sustainable Development of Energy, Water and Environment Systems

URL: <https://doi.org/10.13044/j.sdewes.d7.0294>  
<<https://doi.org/10.13044/j.sdewes.d7.0294>>

This version was downloaded from Northumbria Research Link:  
<http://nrl.northumbria.ac.uk/id/eprint/49383/>

Northumbria University has developed Northumbria Research Link (NRL) to enable users to access the University's research output. Copyright © and moral rights for items on NRL are retained by the individual author(s) and/or other copyright owners. Single copies of full items can be reproduced, displayed or performed, and given to third parties in any format or medium for personal research or study, educational, or not-for-profit purposes without prior permission or charge, provided the authors, title and full bibliographic details are given, as well as a hyperlink and/or URL to the original metadata page. The content must not be changed in any way. Full items must not be sold commercially in any format or medium without formal permission of the copyright holder. The full policy is available online: <http://nrl.northumbria.ac.uk/policies.html>

This document may differ from the final, published version of the research and has been made available online in accordance with publisher policies. To read and/or cite from the published version of the research, please visit the publisher's website (a subscription may be required.)



## **Thermodynamic Analysis and Sizing of a Small Scale Solar Thermal Power System Based on Organic Rankine Cycle**

***Khaled Hossin<sup>\*1</sup>, Khamid Mahkamov<sup>2</sup>, Basim Belgasim<sup>3</sup>***

<sup>1</sup>Mechanical and Industrial Engineering Department, American University of Ras Al Khaimah,  
Ras Al Khaimah, United Arab Emirates

Mechanical Engineering Department, University of Benghazi, Benghazi, Libya

e-mail: [khaled.hossin@aurak.ac.ae](mailto:khaled.hossin@aurak.ac.ae)

<sup>2</sup>Mechanical and Construction Engineering Department, Northumbria University, Wynne-Jones Building,  
Newcastle upon Tyne, United Kingdom

e-mail: [khamid.mahkamov@northumbria.ac.uk](mailto:khamid.mahkamov@northumbria.ac.uk)

<sup>3</sup>Mechanical Engineering Department, University of Benghazi, Benghazi, Libya

e-mail: [basim.belgasim@yahoo.com](mailto:basim.belgasim@yahoo.com)

Cite as: Hossin, K., Mahkamov, K., Belgasim, B., Thermodynamic Analysis and Sizing of a Small Scale Solar Thermal Power System Based on Organic Rankine Cycle, J. sustain. dev. energy water environ. syst., 8(3), pp 493-506, 2020, DOI: <https://doi.org/10.13044/j.sdewes.d7.0294>

### **ABSTRACT**

This paper presents the feasibility analysis of a small-scale low-temperature solar organic Rankine cycle power system. The heat transfer fluid for running the organic Rankine cycle system is hot water with a temperature of 120 °C provided by an array of evacuated tube solar collectors. The performance of the solar organic Rankine cycle system was investigated using two different working fluids over a wide range of the evaporation temperature. Technical and economic indicators such as the required solar collector aperture area, the total heat transfer surface area of the heat exchangers and the volume flow ratio between the outlet and inlet of the expander are among the key parameters used to evaluate the solar organic Rankine cycle. Thermolib toolbox 5.2 in conjunction with MATLAB/Simulink was used to predict the variation of the system performance. The results showed that the solar organic Rankine cycle system is able to achieve an overall system efficiency of 6.75% using a relatively low-temperature heat source. The results also showed that the solar organic Rankine cycle system requires smaller evacuated tube solar collector and heat exchanger areas when R245fa is used as the working fluid.

### **KEYWORDS**

*Organic Rankine Cycle, Solar energy, Organic fluids, Evacuated tube solar collector, Low temperature heat sources, Thermolib.*

### **INTRODUCTION**

In the recent years, the global energy demand has significantly increased due to the continuous increase in the world population and the rapid development in industry. Employment of alternative clean energy sources (i.e. solar, geothermal, biomass, etc.) and developing efficient energy conversion systems are among the prospective means to tackle the energy shortage problem and, at the same time, to mitigate the negative

---

\* Corresponding author

environmental impacts caused by the excessive consumption of fossil fuels [1, 2]. However, these energy sources are often available in the form of relatively low-temperature scales.

The use of conventional steam Rankine cycles to recover low-temperature heat sources, typically below 150 °C, is a challenging task. Such power systems are rather more suitable for high-temperature applications as water needs to be heated to as high as around 450 °C as a compromise between the high performance and technical limitations of the technology [3]. Power generation from low to medium temperature heat sources has technical and feasibility constraints, and only limited choices are available for low-temperature heat engines. Organic Rankine Cycles (ORC) and Kalina cycles have demonstrated their capability to efficiently harness such sources with an advantage going to the former due to their much less complexity and less maintenance needed [4].

Due to the use of organic fluids with low boiling temperatures as a working substance instead of water, the ORC is characterised by its ability to efficiently convert lower temperature heat into useful work more economically compared to the conventional steam Rankine cycle especially in the small scale applications ranging from few kW up to 1 MW [5, 6]. Furthermore, the broad variety of possible working fluids makes the ORC suitable for a wide range of heat sources. It should be mentioned that the selection of the most appropriate organic working fluid plays a vital role in determining the overall thermodynamic and economic system performance [7]. Therefore, the thermodynamic system performance, system cost, and safety and environmental requirements should be all considered in the working fluid selection stage.

The ORC technology is therefore technically suitable for heat to power conversion of renewable energy sources such as solar energy, geothermal energy and biomass energy. Delgado-Torres and García-Rodríguez [8] theoretically investigated an ORC system in which the thermal energy required for the ORC is supplied by means of four different models of stationary solar collectors. Proctor *et al.* [9] developed a dynamic model of a commercial-scale geothermal ORC in process simulation software and validated it against real plant data. A simulation model was developed by Drescher and Brüggemann [10] to find thermodynamic suitable fluids for ORC in small biomass power and heat plants. In addition, ORCs can use the residual thermal energy from other power technologies by acting as a bottoming cycle such as industrial waste heat, Gas Turbines (GT), Internal Combustion Engines (ICE), etc. Maizza and Maizza [11] investigated the thermodynamic and physical properties of some unconventional fluids for use in ORCs supplied by waste energy sources. Yari and Mahmoudi [12] examined the performance of an ORC using of waste heat from a Gas Turbine-Modular Helium Reactor (GT-MHR). The characteristics of a novel dual loop ORC system which recovers the waste heat from both the exhaust and coolant systems of a gasoline engine is analyzed by Wang *et al.* [13]. Kong *et al.* [14] conducted first and second law analyses of a 20 kW low-temperature ORC with different kinds of heat sources at the evaporator.

Figure 1 shows how the ORC systems can be coupled with these sources, depending on the heat source potential. The energy source for the gas turbines and ICEs as well as industrial processes often comes from fossil fuels and their waste heat can then be recovered using ORCs. Heat from geothermal and solar sources is usually exploited by ORC systems through heat transfer processes. For biomass, heat energy can be used directly through combustion or indirectly as waste heat from different power cycles that use other biomass products.

In the last two decades, solar energy has been identified as an important source of energy for being the world largest feasible environment-friendly renewable energy source [15], and solar thermal low-temperature applications have increasingly become more attractive across Europe and throughout the world [16]. Numerous studies have been conducted on low-temperature small-scale solar ORCs in order to develop such

technology. Thermodynamic and environmental properties of a number of fluids have been comparatively assessed for use in low-temperature solar ORC systems by Tchanche *et al.* [17]. The same authors, Tchanche *et al.* [18] performed exergy analysis of micro-organic Rankine heat engines to identify the most suitable engine for driving a small-scale reverse osmosis desalination system. Wang *et al.* [19] experimentally tested a low-temperature solar Rankine system utilizing R245fa as the working fluid. Both the evacuated solar collectors and the flat plate solar collectors were used in the experimental system. Hossin *et al.* [20] developed a dynamic model for a small-scale ORC power system in order to simulate and predict the day-long system behaviour at different seasons during the year. Hossin and Mahkamov [21] conducted a parametric analysis for a 10 kW solar ORC using two different working fluids.

In this paper, a thermodynamic analysis of a small-scale low-temperature solar-driven ORC system was performed. Evacuated Tube solar Collectors (ETC) were used as a heat source providing hot water with a temperature of 120 °C. The performance of the solar ORC system was investigated using two different working fluids over a wide range of the evaporation temperature. The required ETC area and the system total heat exchangers' area were evaluated which are used as indicators economic performance of the system.

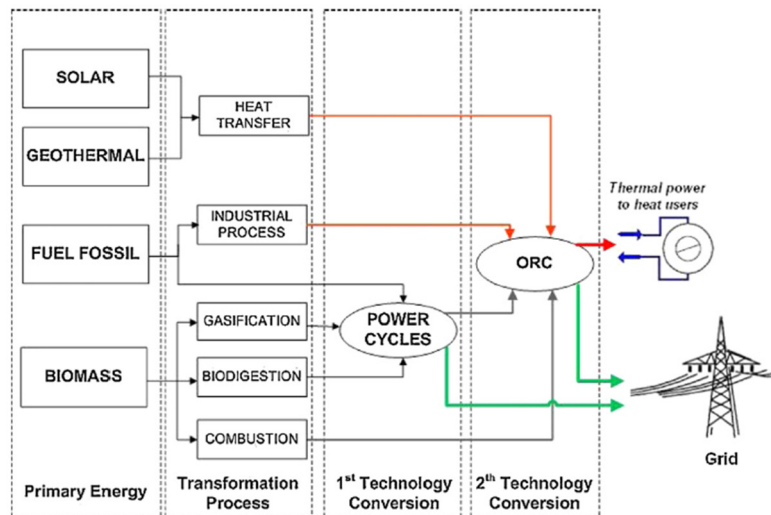


Figure 1. An ORC integrated with various heat sources [7]

## SOLAR ORGANIC RANKINE CYCLE SYSTEM DESCRIPTION

Figure 2 illustrates the schematic diagram of the proposed ORC driven by a solar thermal energy source. The solar ORC system consists mainly of two circuits: solar heating circuit and organic fluid circuit. The ORC circuit consists of evaporator, expander, condenser and working fluid pump. The evaporator is divided into two sections, namely Economizer (EC) and Evaporator (EV). The condenser has two sections, namely De-Superheater (DSH) and Condenser (CON). Water is used as a Heat Transfer Fluid (HTF) and it is heated up to the desired temperature in the solar heating circuit using an array of ETCs.

The liquid organic fluid (state 1) is first pumped to a high pressure (state 2) in the working fluid pump. The high pressure fluid then passes through the evaporator where it absorbs heat from the hot water. During this process, the temperature of the working fluid firstly increases to its saturation temperature in the EC section. Then the fluid is fully converted into vapor as it passes through the EV section (state 3). The vapour with high temperature and pressure then flows across the expander to produce mechanical work, which can be converted into electricity via a generator. The expanded working fluid (state 4) then passes through a condenser where it is cooled down to a saturated vapor in

the DSH section and then fully condensed in the CON section (state 1). The liquid working fluid is then pumped again to repeat the cycle. The corresponding  $T-s$  diagram of the full cycle is shown in Figure 3.

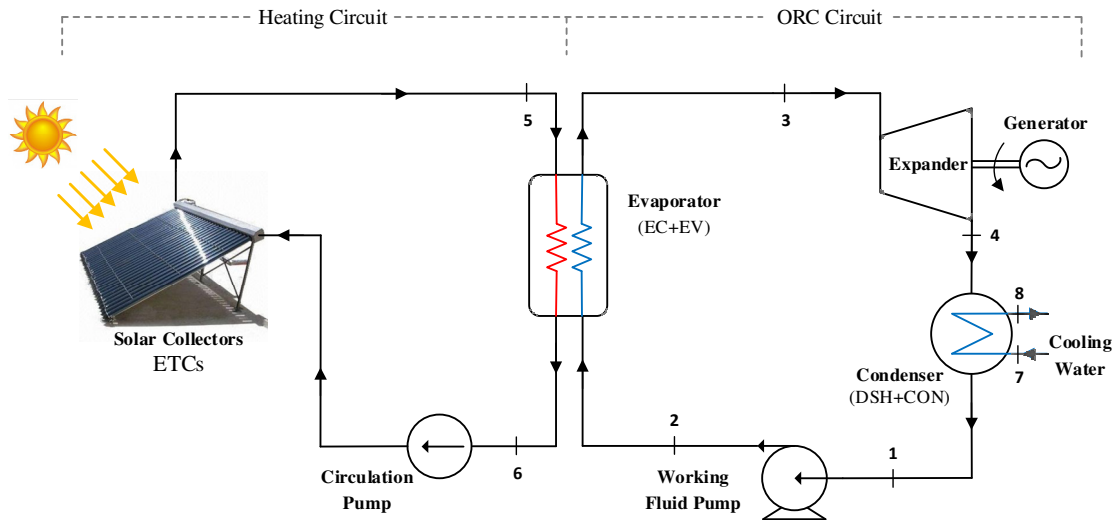


Figure 2. Schematic diagram of the solar ORC system

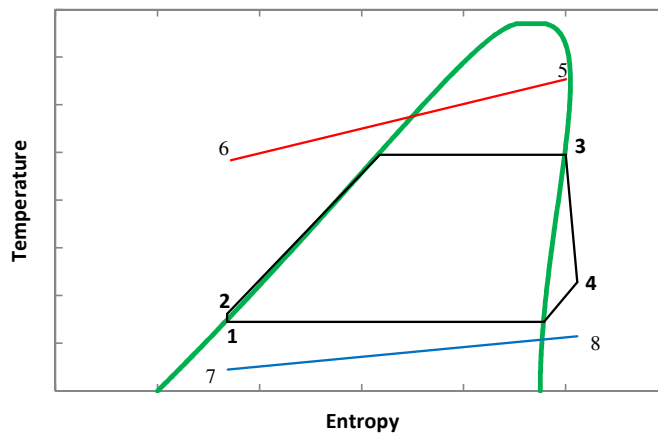


Figure 3.  $T-s$  diagram of the solar ORC system

## THERMODYNAMIC ANALYSIS

In order to derive the thermodynamic mathematical model for the whole system, each component in the system is considered as a control volume. The principles of mass and energy conservation are then applied to each control volume. The following general assumptions are considered in the analysis of the overall system and its subsystems:

- In all components, processes are assumed to be continuous and under steady state conditions;
- The changes in kinetic and potential energy are not considered;
- The expander and pump are adiabatic with fixed isentropic efficiencies;
- The heat losses and pressure drop in all system components and piping are neglected.

The mass balance equation can be expressed as:

$$\sum \dot{m}_{in} - \sum \dot{m}_{out} = 0 \quad (1)$$

The general energy balance equation, based on the first law of thermodynamics, can be written as follows:

$$\dot{Q}_{cv} - \dot{W}_{cv} + \sum \dot{m}_{in} \times h_{in} - \sum \dot{m}_{out} \times h_{out} = 0 \quad (2)$$

where  $\dot{Q}_{cv}$  and  $\dot{W}_{cv}$  represent the rates of heat transfer into the control volume and work done by the control volume, respectively, and  $\dot{m}$  and  $h$  represent the mass flow rate and specific enthalpy of the streams crossing the control volume boundaries, respectively.

The heat received by the solar collector and transferred to the HTF can be calculated based on the collector energy balance equation as a function of the collector efficiency:

$$\dot{Q}_{in} = G_t \times A_{col} \times \eta_{col} = \dot{m}_{htf} \times C_{p,htf}(T_{col,o} - T_{col,i}) \quad (3)$$

where  $G_t$  is the total solar irradiance on the solar collector surface,  $A_{col}$  is the collector aperture area,  $\eta_{col}$  is the solar collector efficiency and  $\dot{m}_{htf}$  is the hot water mass flow rate in the solar heating circuit.

The thermal efficiency of the solar collector can be expressed in terms of the solar irradiance, mean collector temperature and ambient temperature as:

$$\eta_{col} = a_0 - a_1 \frac{(T_{col,m} - T_{amb})}{G_t} - a_2 \frac{(T_{col,m} - T_{amb})^2}{G_t} \quad (4)$$

Here,  $a_0$ ,  $a_1$  and  $a_2$  are efficiency equation constants for the solar collector. The ETC used in this study is VR12 from ESTEC GmbH. Table 1 presents the efficiency equation constants for VR12 [22, 23].

Table 1. ETC efficiency equation constants

| Constant | $a_0$ [-] | $a_1$ [W/m <sup>2</sup> K] | $a_2$ [W/m <sup>2</sup> K <sup>2</sup> ] |
|----------|-----------|----------------------------|--|
| Value    | 0.825     | 0.91                       | $0.6 \times 10^{-3}$                     |

The electric power consumed by the working fluid pump is calculated as:

$$\dot{W}_p = \frac{\dot{m}_{wf} \times v_1 (P_2 - P_1)}{\eta_p \times \eta_M} = \dot{m}_{wf} (h_2 - h_1) / \eta_M \quad (5)$$

where  $\dot{m}_{wf}$  is the working fluid mass flow rate,  $\eta_p$  is the pump efficiency and  $\eta_M$  is the electric motor efficiency.

The total heat transfer rate in the evaporator ( $\dot{Q}_e$ ), from the HTF into the working fluid is given by:

$$\dot{Q}_e = \dot{m}_{wf} (h_3 - h_2) = \dot{m}_{htf} \times C_{p,htf} (T_{e,i} - T_{e,o}) \quad (6)$$

where  $T_{e,i}$  and  $T_{e,o}$  are the temperatures at the inlet and outlet of hot water stream, respectively.

The expander electric output power is given by:

$$\dot{W}_t = \dot{m}_{wf} (h_3 - h_{4s}) \eta_t \times \eta_g = \dot{m}_{wf} (h_3 - h_4) \eta_g \quad (7)$$

where  $\eta_t$  and  $\eta_g$  are the expander isentropic efficiency and the generator efficiency, respectively.

The condenser heat rejection rate ( $\dot{Q}_c$ ), can be expressed as:

$$\dot{Q}_c = \dot{m}_{wf}(h_4 - h_1) = \dot{m}_w \times C_{p,w}(T_{c,o} - T_{c,i}) \quad (8)$$

where  $\dot{m}_w$  is the cooling water mass flow rate, and  $T_{c,i}$  and  $T_{c,o}$  are the cooling water temperatures at the inlet and outlet of the condenser, respectively.

The net output power generated by the solar ORC system is defined as:

$$\dot{W}_{net} = \dot{W}_t - \dot{W}_p \quad (9)$$

The thermal efficiency of the ORC is the ratio of the net power output to the heat input in the evaporator. It can be expressed as:

$$\eta_{ORC} = \frac{\dot{W}_{net}}{\dot{Q}_e} \quad (10)$$

The overall efficiency of the solar ORC system can be defined as follows:

$$\eta_{sys} = \frac{\dot{W}_{net}}{G_t \times A_{col}} \quad (11)$$

The Back Work Ratio (*BWR*) is the ratio between the pump power and the expander power:

$$BWR = \frac{\dot{W}_p}{\dot{W}_t} \quad (12)$$

In addition to the system efficiency, which is used to evaluate the system from a thermodynamic point of view, other parameters are needed to be defined to provide more insight into the technical feasibility and economic competitiveness of the solar ORC. The maximum operating pressure, required solar collector area, the total heat transfer surface area of the heat exchangers and the Volume Flow Ratio (*VFR*) between the outlet and inlet of the expander are among the key parameters used in this study.

The sum of product of overall heat transfer coefficient and heat transfer area ( $UA_{tot}$ ), which is used to evaluate the total heat exchanger cost, can approximately indicate the required total area of heat exchangers [24]. The  $UA_{tot}$  can be determined in terms of evaporator and condenser heat transfer capacities as follows:

$$UA_{tot} = UA_e + UA_c \quad (13)$$

The product of overall heat transfer coefficient and heat transfer area of the evaporator and condenser can be obtained as the sum of their heat exchanger's sections:

$$UA_e = UA_{EC} + UA_{EV} \quad (14)$$

$$UA_c = UA_{DSH} + UA_{CON} \quad (15)$$

The product  $UA_i$  for each section  $i$  of the heat exchanger is calculated using the Logarithmic Mean Temperature Difference (*LMTD*) approach as in Incropera *et al.* [25]:

$$UA_i = \frac{\dot{Q}_i}{LMTD_i} \quad (16)$$

where  $\dot{Q}_i$  is the heat transfer rate in section  $i$ . The logarithmic mean temperature difference ( $LMTD_i$ ), is defined as follows:

$$LMTD_i = \frac{\Delta T_{\max,i} - \Delta T_{\min,i}}{\ln \frac{\Delta T_{\max,i}}{\Delta T_{\min,i}}} \quad (17)$$

where  $\Delta T_{\max,i}$  and  $\Delta T_{\min,i}$  are the maximal and minimal temperature differences at  $i$  section terminals of the heat exchangers, respectively.

The  $VFR$  is defined as the ratio between the volume flow rates at the outlet and inlet of the expander:

$$VFR = \frac{\dot{V}_4}{\dot{V}_3} \quad (18)$$

### OPERATING CONDITIONS

The summer conditions of Newcastle upon Tyne (54° 59' N, 1° 37' W) were selected to evaluate the solar ORC system performance. Measurements of the global irradiance at Newcastle upon Tyne have been carried out during summers of 1994 and 1995. It has been reported that the maximum observed global irradiance values are between 636 W/m<sup>2</sup> and 978 W/m<sup>2</sup> [26]. In this work, the global solar irradiance value was set to 700 W/m<sup>2</sup>. The system was examined using R600 and R245fa as working fluids, for their common use in low-temperature applications [27, 28]. The main thermodynamic, safety and environmental parameters of the selected fluids are listed in Table 2.

Table 2. Properties of the selected fluids [29, 30]

| Property                 | R245fa | R600   |
|--------------------------|--------|--------|
| Thermodynamic properties |        |        |
| $M$ [kg/kmol]            | 134.05 | 58.12  |
| $T_{bp}$ [°C]            | 14.9   | -0.55  |
| $T_c$ [°C]               | 154.05 | 151.98 |
| $P_c$ [bar]              | 36.4   | 37.9   |
| Safety properties        |        |        |
| ASHRAE 34 group          | B1     | A3     |
| Environmental properties |        |        |
| ODP                      | 0      | 0      |
| GWP [100 yr]             | 1,030  | ~ 20   |
| Fluid type               | Dry    | Dry    |

The solar ORC system is designed to produce 10 kW net power output using a set of operating parameters listed in Table 3. Saturated vapor was assumed at the expander inlet and the vapor quality at the expander outlet was set to a minimum value of 0.95.

Table 3. Operating parameters of the solar ORC

| Parameter                               | Value |
|---|-------|
| Net output power [kW <sub>e</sub> ]     | 10    |
| Heat source inlet temperature [°C]      | 120   |
| Cooling water inlet temperature [°C]    | 18    |
| Condensation temperature [°C]           | 35    |
| Evaporator pinch point temperature [°C] | 8     |
| Condenser pinch point temperature [°C]  | 5     |
| Ambient temperature [°C]                | 25    |
| Maximum ORC operating temperature [°C]  | 100   |
| Expander isentropic efficiency [%]      | 75    |
| Pump isentropic efficiency [%]          | 80    |
| Electric generator efficiency [%]       | 96    |
| Pump motor efficiency [%]               | 96    |



## RESULTS AND DISCUSSTIONS

A complete thermodynamic analysis was performed for the system shown in Figure 2. The simulation model of the proposed solar ORC system was developed using Thermolib 5.2 toolbox [31], developed by EUtech Scientific Engineering GmbH, in a MATLAB/Simulink environment. The working fluid properties were evaluated using the built-in thermo-physical properties database of Thermolib. To validate the developed Thermolib simulation model, comparisons between the present model results and those obtained from Fu *et al.* [32] were performed by setting the same operating conditions and using the same working fluid, i.e., R245fa. The mass flow rate of R245fa was kept at a fixed value of 11.85 kg/s. The validation was conducted at constant heat source and condensation temperatures of 133.9 °C and 39 °C, respectively. The comparisons were carried out for a range of the heat source mass flow rates of 10.0-25.0 kg/s. The present model results and those obtained from [32] for the variations of the system efficiency with the heat source mass flow rate are shown in Table 4. It can be seen that the predicted results from the present model and those published in [32] are in very good agreement. The maximum relative deviation between the two results is 2.29%.

Table 4. Comparison of the simulation model results with data from [32]

| Heat source mass flow rate [kg/s] | System efficiency [%]<br>Present model results | System efficiency [%]<br>[32] data | Deviation [%] |
|-----------------------------------|--|------------------------------------|---------------|
| 10                                | 7.59   | 7.42                               | 2.29          |
| 15                                | 9.48   | 9.36                               | 1.28          |
| 20                                | 10.20  | 10.12                              | 0.79          |
| 25                                | 10.58  | 10.50                              | 0.76          |

The comparative assessment of the selected working fluids was carried out when the same net output power of 10 kW is produced using the set of operating parameters and specifications listed in Table 3.

Figure 4 shows the variation of the ORC efficiency and overall system efficiency with the evaporation pressure for both working fluids. It can be seen that for the two working fluids, both the ORC efficiency and overall plant efficiency significantly increase as the evaporation pressure increases. In addition, R245fa achieves higher efficiencies than R600 over the whole range of the evaporation pressure. At the highest evaporation pressure, the ORC efficiency and overall system efficiency for R245fa are 9.54% and 6.75%, respectively. Although the overall system efficiency are relatively low, it is considered reasonable for such an ORC system driven by a solar heat source having a limited temperature of only 120 °C which in turn cannot be achieved using the traditional Rankine cycles.

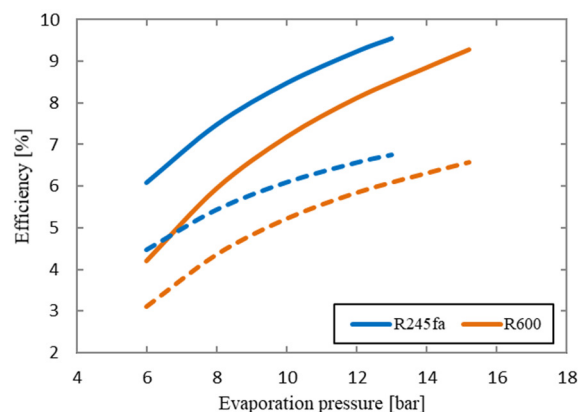


Figure 4. Variation of ORC efficiency (solid line) and overall system efficiency (dash line) with evaporation pressure

The variation of the working fluid mass flow rate with the evaporation pressure for both working fluids is shown in Figure 5. The figure shows a decrease in the working fluid mass flow rate as the evaporation pressure increases. This is due to the fact that at the same output power, the increase in the evaporation pressure yields enthalpy difference increase across the expander and hence a decrease in the mass flow rate. It can be seen that the ORC system using R245fa as a working fluid requires higher mass flow rate than that with R600.

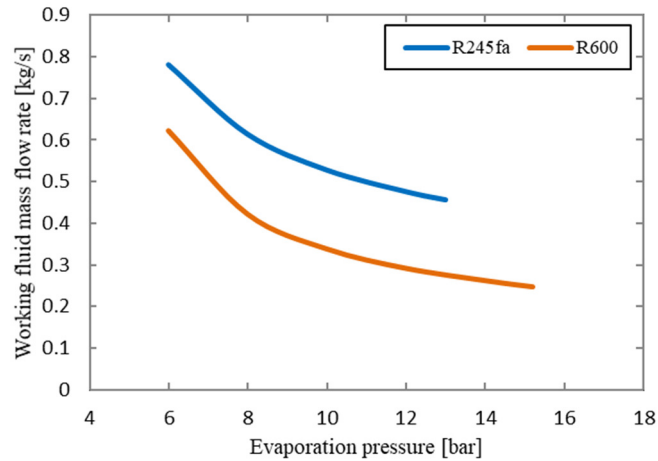


Figure 5. Variation of working fluid mass flow rate with evaporation pressure

Figure 6 shows the power consumed by the pump and the *BWR*, vs. the evaporation pressure. The figure logically illustrates that the pump power increases with increasing the evaporation pressure. As it can be seen, the use of R600 leads to comparatively high pumping power and, consequently, high *BWR* values over the whole range of the evaporation pressure. Also, it is indicated from the figure that the values of pump power for R600 and R245fa forms about 6.5% and 4.5% of the expander power, respectively.

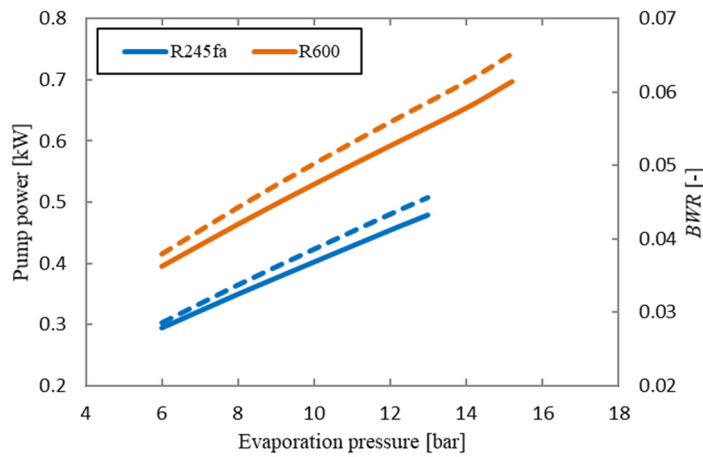


Figure 6. Variation of pump power (solid line) and *BWR* (dash line) with evaporation pressure

The solar collector area and the size of the heat exchangers play a vital role in the economics of the solar ORC system. Figure 7 shows results on determination of the total solar collector area and the total product of overall heat transfer coefficient and heat transfer area ( $UA_{tot}$ ) of the heat exchangers, required for producing the 10 kW net power output. It is obvious that both the solar collector area and  $UA_{tot}$  decrease sharply with the increase of the evaporation pressure for both fluids. The system requires a smaller collector area when R245fa is used and this value is 212 m<sup>2</sup> at evaporation pressure of

13 bar. The system will require a collector area of about 235 m<sup>2</sup> when R600 is used at the same evaporation pressure. Smaller  $UA_{tot}$  values indicate smaller heat exchangers area that is required for satisfying the heat exchange process, leading to lower equipment cost. R245fa has lower  $UA_{tot}$  values which ensure a smaller heat exchanger area compared to those for R600.

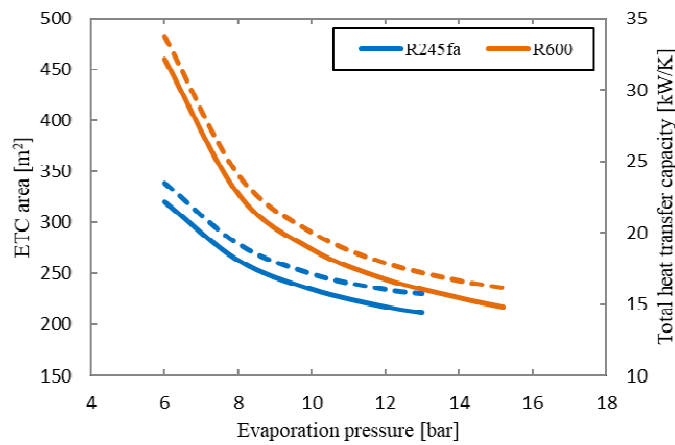


Figure 7. Variation of ETC area (solid line) and  $UA_{tot}$  (dash line) with evaporation pressure

The variation of the  $VFR$ , with the evaporation pressure for the investigated working fluids is illustrated in Figure 8. Increased  $VFR$  values are associated with large expander size [33]. Moreover, lower  $VFR$  values ensure the higher isentropic expander efficiency.  $VFR$  should be less than 50 in order to achieve the isentropic efficiency higher than 80% [34]. As it can be observed in Figure 8,  $VFR$  always increases as the evaporation pressure increases. R600 shows smaller  $VFR$  values over the entire range of the evaporation pressure which in turn leads to the smaller expander size and higher efficiency.

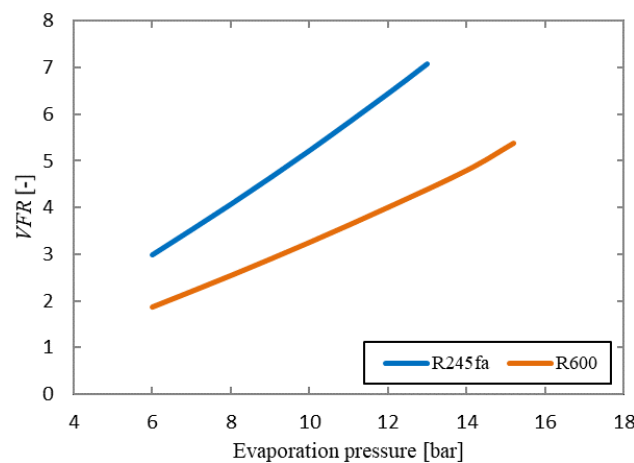


Figure 8. Variation of  $VFR$  with evaporation pressure

## CONCLUSIONS

In this paper, a thermodynamic feasibility analysis of a low-temperature solar-driven ORC system was performed. Evacuated tube solar collectors were used as a heat source providing hot water with a temperature of 120 °C. The performance of the solar ORC system was investigated using two different working fluids over a wide range of the evaporation temperature. Different parameters, which directly indicate the system components' sizing, were used in order to evaluate the thermal and economic performance of the system.

Although the heat source used was relatively low, 120 °C, the results showed that the solar ORC system is able to achieve an overall system efficiency of 6.75%. In terms of the thermodynamic performance, R245fa provides higher ORC and overall system efficiencies. In terms of the economic performance, R245fa is more cost-effective than R600 as the former ensures smaller areas of both the solar collector and the heat exchangers. However, R600 provides a lower *VFR*, resulting in a smaller size of the expander with higher efficiency. Considering the safety and environmental issues, the use of R600 requires extra engineering precautions due to its high inflammability.

## ACKNOWLEDGMENT

The authors gratefully acknowledge the financial support provided by the Cultural Affairs Department of the Libyan Embassy in London.

## NOMENCLATURE

|           |   |                      |
|-----------|---|----------------------|
| $A$       | area                                    | [m <sup>2</sup> ]    |
| $BWR$     | back work ratio                         | [-]                  |
| $C_p$     | specific heat                           | [J/kgK]              |
| $G_t$     | total solar irradiance                  | [W/m <sup>2</sup> ]  |
| $h$       | specific enthalpy                       | [J/kg]               |
| $LMTD$    | logarithmic mean temperature difference | [K]                  |
| $\dot{m}$ | mass flow rate                          | [kg/s]               |
| $P$       | pressure                                | [bar]                |
| $\dot{Q}$ | heat transfer rate                      | [W]                  |
| $T$       | temperature                             | [°C]                 |
| $UA$      | heat transfer capacity                  | [W/K]                |
| $\dot{V}$ | volume flow rates                       | [m <sup>3</sup> /s]  |
| $v$       | specific volume                         | [m <sup>3</sup> /kg] |
| $VFR$     | volume flow ratio                       | [-]                  |
| $\dot{W}$ | power                                   | [W]                  |

### Greek symbols

|        |            |     |
|--------|------------|-----|
| $\eta$ | efficiency | [-] |
|--------|------------|-----|

### Abbreviations

|     |   |
|-----|---|
| ETC | Evacuated Tube Solar Collector                          |
| GWP | Global Warming Potential (relative to CO <sub>2</sub> ) |
| ODP | Ozone Depletion Potential (relative to R11)             |
| ORC | Organic Rankine Cycle                                   |

## REFERENCES

1. Bao, J. and Zhao, L., A Review of Working Fluid and Expander Selections for Organic Rankine Cycle, *Renewable and Sustainable Energy Reviews*, Vol. 24, No. 0, pp 325-342, 2013, <https://doi.org/10.1016/j.rser.2013.03.040>
2. Ozlu, S. and Dincer, I., Development and Analysis of a Solar and Wind Energy Based Multigeneration System, *Solar Energy*, Vol. 122, pp 1279-1295, 2015, <https://doi.org/10.1016/j.solener.2015.10.035>
3. Badami, M. and Mura, M., Preliminary Design and Controlling Strategies of a Small-Scale Wood Waste Rankine Cycle (RC) with a Reciprocating Steam Engine (SE), *Energy*, Vol. 34, No. 9, pp 1315-1324, 2009, <https://doi.org/10.1016/j.energy.2009.04.031>

4. Chen, H., Goswami, D. Y. and Stefanakos, E. K., A Review of Thermodynamic Cycles and Working Fluids for the Conversion of Low-Grade Heat, *Renewable and Sustainable Energy Reviews*, Vol. 14, No. 9, pp 3059-3067, 2010, <https://doi.org/10.1016/j.rser.2010.07.006>
5. Schuster, A., Karellas, S., Kakaras, E. and Spliethoff, H., Energetic and Economic Investigation of Organic Rankine Cycle Applications, *Applied Thermal Engineering*, Vol. 29, No. 8-9, pp 1809-1817, 2009, <https://doi.org/10.1016/j.applthermaleng.2008.08.016>
6. Quoilin, S., Orosz, M., Hemond, H. and Lemort, V., Performance and Design Optimization of a Low-Cost Solar Organic Rankine Cycle for Remote Power Generation, *Solar Energy*, Vol. 85, No. 5, pp 955-966, 2011, <https://doi.org/10.1016/j.solener.2011.02.010>
7. Vélez, F., Segovia, J. J., Martín, M. C., Antolín, G., Chejne, F. and Quijano, A., A Technical, Economical and Market Review of Organic Rankine Cycles for the Conversion of Low-Grade Heat for Power Generation, *Renewable and Sustainable Energy Reviews*, Vol. 16, No. 6, pp 4175-4189, 2012, <https://doi.org/10.1016/j.rser.2012.03.022>
8. Delgado-Torres, A. M. and García-Rodríguez, L., Analysis and Optimization of the Low-Temperature Solar Organic Rankine Cycle (ORC), *Energy Conversion and Management*, Vol. 51, No. 12, pp 2846-2856, 2010, <https://doi.org/10.1016/j.enconman.2010.06.022>
9. Proctor, M. J., Yu, W., Kirkpatrick, R. D. and Young, B. R., Dynamic Modelling and Validation of a Commercial Scale Geothermal Organic Rankine Cycle Power Plant, *Geothermics*, Vol. 61, pp 63-74, 2016, <https://doi.org/10.1016/j.geothermics.2016.01.007>
10. Drescher, U. and Brüggemann, D., Fluid Selection for the Organic Rankine Cycle (ORC) in Biomass Power and Heat Plants, *Applied Thermal Engineering*, Vol. 27, No. 1, pp 223-228, 2007, <https://doi.org/10.1016/j.applthermaleng.2006.04.024>
11. Maizza, V. and Maizza, A., Unconventional Working Fluids in Organic Rankine-Cycles for Waste Energy Recovery Systems, *Applied Thermal Engineering*, Vol. 21, No. 3, pp 381-390, 2001, [https://doi.org/10.1016/S1359-4311\(00\)00044-2](https://doi.org/10.1016/S1359-4311(00)00044-2)
12. Yari, M. and Mahmoudi, S. M. S., Utilization of Waste Heat from GT-MHR for Power Generation in Organic Rankine Cycles, *Applied Thermal Engineering*, Vol. 30, No. 4, pp 366-375, 2010, <https://doi.org/10.1016/j.applthermaleng.2009.09.017>
13. Wang, E. H., Zhang, H. G., Zhao, Y., Fan, B. Y., Wu, Y. T. and Mu, Q. H., Performance Analysis of a Novel System Combining a Dual Loop Organic Rankine Cycle (ORC) with a Gasoline Engine, *Energy*, Vol. 43, No. 1, pp 385-395, 2012, <https://doi.org/10.1016/j.energy.2012.04.006>
14. Kong, R., Deethayat, T., Asanakham, A., Vorayos, N. and Kiatsiriroat, T., Thermodynamic Performance Analysis of a R245fa Organic Rankine Cycle (ORC) with Different Kinds of Heat Sources at Evaporator, *Case Studies in Thermal Engineering*, Vol. 13, pp 1-10, 2019, <https://doi.org/10.1016/j.csite.2018.100385>
15. Schnatbaum, L., Solar Thermal Power Plants, *The European Physical Journal Special Topics*, Vol. 176, No. 1, pp 127-140, 2009, <https://doi.org/10.1140/epjst/e2009-01153-0>
16. Gang, P., Jing, L. and Jie, J., Design and Analysis of a Novel Low-Temperature Solar Thermal Electric System with Two-Stage Collectors and Heat Storage Units, *Renewable Energy*, Vol. 36, No. 9, pp 2324-2333, 2011, <https://doi.org/10.1016/j.renene.2011.02.008>
17. Tchanche, B. F., Papadakis, G., Lambrinos, G. and Frangoudakis, A., Fluid Selection for a Low-Temperature Solar Organic Rankine Cycle, *Applied Thermal Engineering*, Vol. 29, No. 11-12, pp 2468-2476, 2009, <https://doi.org/10.1016/j.applthermaleng.2008.12.025>

18. Tchanche, B. F., Lambrinos, G., Frangoudakis, A. and Papadakis, G., Exergy Analysis of Micro-Organic Rankine Power Cycles for a Small Scale Solar Driven Reverse Osmosis Desalination System, *Applied Energy*, Vol. 87, No. 4, pp 1295-1306, 2010, <https://doi.org/10.1016/j.apenergy.2009.07.011>
19. Wang, X. D., Zhao, L., Wang, J. L., Zhang, W. Z., Zhao, X. Z. and Wu, W., Performance Evaluation of a Low-Temperature Solar Rankine Cycle System Utilizing R245fa, *Solar Energy*, Vol. 84, No. 3, pp 353-364, 2010, <https://doi.org/10.1016/j.solener.2009.11.004>
20. Hossin, K., Mahkamov, K. and Belgasim, B., Dynamic Modelling of a Small-Scale Standalone Solar Organic Rankine Cycle System, *Proceedings of the 4<sup>th</sup> International Conference on Nuclear and Renewable Energy Resources (NuRER2014)*, Antalya, Turkey, 2014.
21. Hossin, K. and Mahkamov, K., Performance Evaluation for a 10 KW Solar Organic Rankine Cycle Power System to Operate in the UK Climate Conditions, *Proceedings of the 3<sup>rd</sup> European Conference on Sustainability, Energy & the Environment (ECSEE2015)*, Brighton, UK, 2015.
22. Tempesti, D., Manfrida, G. and Fiaschi, D., Thermodynamic Analysis of Two Micro CHP Systems Operating with Geothermal and Solar Energy, *Applied Energy*, Vol. 97, pp 609-617, 2012, <https://doi.org/10.1016/j.apenergy.2012.02.012>
23. Hossin, K., Mahkamov, K., Belgasim, B., Hashem, G. and Elsharif, N., Thermodynamic Performance Investigation of a Small-Scale Hybrid Solar-Biomass Power System Based on Organic Rankine Cycle, *Proceedings of the International Research Conference on Sustainable Energy, Engineering, Materials and Environment*, Newcastle upon Tyne, UK, 2017.
24. Braimakis, K., Preißinger, M., Brüggemann, D., Karellas, S. and Panopoulos, K., Low Grade Waste Heat Recovery with Subcritical and Supercritical Organic Rankine Cycle Based on Natural Refrigerants and Their Binary Mixtures, *Energy*, Vol. 88, pp 80-92, 2015, <https://doi.org/10.1016/j.energy.2015.03.092>
25. Incropera, F. P., Dewitt, D. P., Bergman, T. L. and Lavine, A. S., *Principles of Heat and Mass Transfer* (7<sup>th</sup> ed.), John Wiley & Sons, Singapore, 2013.
26. Craggs, C., Conway, E. M. and Pearsall, N. M., Statistical Investigation of the Optimal Averaging Time for Solar Irradiance on Horizontal and Vertical Surfaces in the UK, *Solar Energy*, Vol. 68, No. 2, pp 179-187, 2000, [https://doi.org/10.1016/S0038-092X\(99\)00063-8](https://doi.org/10.1016/S0038-092X(99)00063-8)
27. Quoilin, S., Broek, M. V. D., Declaye, S., Dewallef, P. and Lemort, V., Techno-economic Survey of Organic Rankine Cycle (ORC) Systems, *Renewable and Sustainable Energy Reviews*, Vol. 22, pp 168-186, 2013, <https://doi.org/10.1016/j.rser.2013.01.028>
28. Hossin, K., Mahkamov, K. and Hashem, G., Comparative Assessment of Working Fluids for a Low-temperature Solar Organic Rankine Cycle Power System, *Proceedings of the Conference on Advances in Mechanical Engineering Istanbul (ICAME2016)*, Istanbul, Turkey, 2016.
29. Yamada, N., Mohamad, M. N. A. and Kien, T. T., Study on Thermal Efficiency of Low- to Medium-Temperature Organic Rankine Cycles Using HFO-1234yf, *Renewable Energy*, Vol. 41, No. 0, pp 368-375, 2012, <https://doi.org/10.1016/j.renene.2011.11.028>
30. Shengjun, Z., Huaixin, W. and Tao, G., Performance Comparison and Parametric Optimization of Subcritical Organic Rankine Cycle (ORC) and Transcritical Power Cycle System for Low-Temperature Geothermal Power Generation, *Applied Energy*, Vol. 88, No. 8, pp 2740-2754, 2011, <https://doi.org/10.1016/j.apenergy.2011.02.034>
31. Thermolib, <http://www.eutech-scientific.de/products-services/thermolib.html>, [Accessed: 10-June-2019]

32. Fu, B.-R., Hsu, S.-W., Lee, Y.-R., Hsieh, J.-C., Chang, C.-M. and Liu, C.-H., Performance of a 250 kW Organic Rankine Cycle System for Off-Design Heat Source Conditions, *Energies*, Vol. 7, No. 6, pp 3684-3694, 2014, <https://doi.org/10.3390/en7063684>
33. Bu, X. B., Li, H. S. and Wang, L. B., Performance Analysis and Working Fluids Selection of Solar Powered Organic Rankine-Vapor Compression Ice Maker, *Solar Energy*, Vol. 95, pp 271-278, 2013, <https://doi.org/10.1016/j.solener.2013.06.024>
34. Macchi, E. and Perdichizzi, A., Efficiency Prediction for Axial-Flow Turbines Operating with Nonconventional Fluids, *Journal of Engineering for Power*, Vol. 103, No. 4, pp 718-724, 1981, <https://doi.org/10.1115/1.3230794>

Paper submitted: 27.02.2019

Paper revised: 10.06.2019

Paper accepted: 18.06.2019