

University of Groningen

Illumination unit, electrodeless low-pressure discharge lamp, and coil suitable for use therein

van der Zaag, Pieter Jan; Vegter, Klaas; Antonis, Petrus Hendrikus; van der Valk, Pieter Johan

IMPORTANT NOTE: You are advised to consult the publisher's version (publisher's PDF) if you wish to cite from it. Please check the document version below.

Document Version

Publisher's PDF, also known as Version of record

Publication date:

1994

[Link to publication in University of Groningen/UMCG research database](#)

Citation for published version (APA):

van der Zaag, P. J., Vegter, K., Antonis, P. H., & van der Valk, P. J. (1994). Illumination unit, electrodeless low-pressure discharge lamp, and coil suitable for use therein. (Patent No. *EP0625794*).

Copyright

Other than for strictly personal use, it is not permitted to download or to forward/distribute the text or part of it without the consent of the author(s) and/or copyright holder(s), unless the work is under an open content license (like Creative Commons).

The publication may also be distributed here under the terms of Article 25fa of the Dutch Copyright Act, indicated by the "Taverne" license. More information can be found on the University of Groningen website: <https://www.rug.nl/library/open-access/self-archiving-pure/taverne-amendment>.

Take-down policy

If you believe that this document breaches copyright please contact us providing details, and we will remove access to the work immediately and investigate your claim.

Downloaded from the University of Groningen/UMCG research database (Pure): <http://www.rug.nl/research/portal>. For technical reasons the number of authors shown on this cover page is limited to 10 maximum.

19



Europäisches Patentamt
European Patent Office
Office européen des brevets



11

Publication number:

0 625 794 A1

12

EUROPEAN PATENT APPLICATION

21

Application number: **94201319.4**

51

Int. Cl.⁵: **H01J 65/04, H01F 1/34,
C04B 35/26**

22

Date of filing: **10.05.94**

30

Priority: **11.05.93 BE 9300483
04.10.93 EP 93202819
21.01.94 EP 94200153
24.01.94 EP 94200161**

Inventor: **Vegter, Klaas
c/o Int.Octrooibureau B.V.,
Prof. Holstlaan 6
NL-5656 AA Eindhoven (NL)**
Inventor: **Antonis, Petrus Hendrikus
c/o Int.Octrooibureau B.V.,
Prof. Holstlaan 6
NL-5656 AA Eindhoven (NL)**
Inventor: **van der Valk, Pieter Johan
c/o Int.Octrooibureau B.V.,
Prof. Holstlaan 6
NL-5656 AA Eindhoven (NL)**

43

Date of publication of application:
23.11.94 Bulletin 94/47

84

Designated Contracting States:
BE DE FR GB IT NL

71

Applicant: **PHILIPS ELECTRONICS N.V.
Groenewoudseweg 1
NL-5621 BA Eindhoven (NL)**

74

Representative: **Evers, Johannes Hubertus
Maria
INTERNATIONAAL OCTROOIBUREAU B.V.,
Prof. Holstlaan 6
NL-5656 AA Eindhoven (NL)**

72

Inventor: **van der Zaag, Pieter Jan
c/o Int.Octrooibureau B.V.,
Prof. Holstlaan 6
NL-5656 AA Eindhoven (NL)**

54

Illumination unit, electrodeless low-pressure discharge lamp, and coil suitable for use therein.

57

An illumination unit according to the invention comprises an electrodeless low-pressure discharge lamp (20) and a supply device (50). The lamp has a discharge vessel (30) which encloses in a gastight manner a discharge space (31) which is provided with an ionizable filling. The lamp (20) further has a coil (40) provided with a winding (42) around a sintered core (41) of polycrystalline ferrite material, which winding (42) is connected to the supply device (50). The coil (40) is capable of inducing a high-frequency magnetic field which maintains a discharge in the discharge space (31). The losses in the core (41), when measured at room temperature in a magnetic field with a frequency of 3 MHz and a magnetic flux density of 10 mT, amount to at most 150 mW/cm³. This has the advantage that the lamp (20) ignites comparatively quickly and loads the supply device (50) comparatively weakly during ignition. The supply device (50) as a result can have a comparatively long useful life.

EP 0 625 794 A1

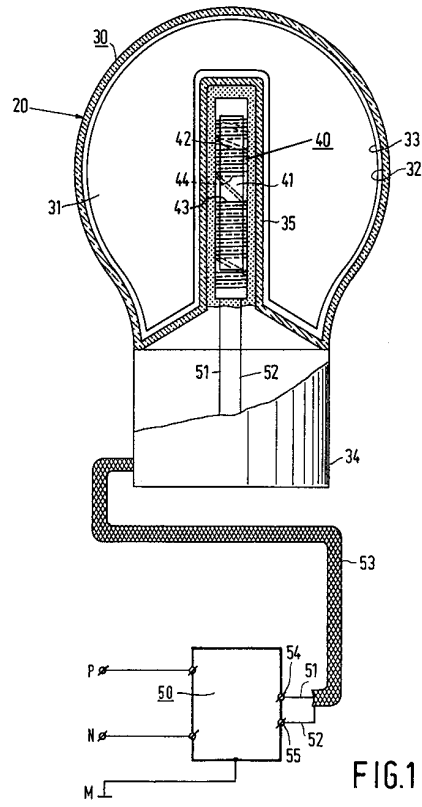


FIG.1

The invention relates to an illumination unit comprising an electrodeless low-pressure discharge lamp and a supply device, which lamp has a discharge vessel enclosing in a gaslight manner a discharge space provided with an ionizable filling, and which lamp in addition has a coil provided with a winding around a sintered core of polycrystalline ferrite material, which winding is connected to the supply device, the coil being capable of inducing a high-frequency magnetic field which maintains a discharge in the discharge space.

The invention also relates to an electrodeless low-pressure discharge lamp and to a coil suitable for use in such an illumination unit.

An illumination unit of the kind described in the opening paragraph is known from US 4,710,678. In a nominal operating condition, the high-frequency magnetic field caused by the coil generates an electric current in the discharge space which keeps the discharge going. The known illumination unit is ignited in that a resonant circuit, which includes the coil, is brought into resonance. A comparatively high voltage arises across the coil during this. This voltage is used to generate an electric field by means of one or several conductors adjacent the discharge vessel, for example the winding of the coil, thus initiating the discharge. The losses occurring in the illumination unit during nominal operation are mainly due to the thermal losses occurring in the discharge space, as are the losses in a conventional low-pressure discharge lamp in which the discharge is maintained by electrodes. These losses amount to approximately 60% of the power consumed by the illumination unit. Losses specific to the electrodeless lamp, *i.e.* the losses in the electric circuit and the losses in the coil, are found to be small compared therewith, approximately 11 % and approximately 5%, respectively, of the power consumed. The efficacy of the electrodeless lamp, accordingly, is of the same order of magnitude as that of a conventional low-pressure discharge lamp. Such an illumination unit has the advantage that the lamp can have a comparatively long operational life, because electrodes in the discharge space are unnecessary.

It was found, however, that the life of the illumination unit can be limited by that of the supply device.

The invention has for its object to provide a measure in an illumination unit of the kind described in the opening paragraph which renders possible a longer life of the supply device.

According to the invention, the illumination unit is for this purpose characterized in that the losses in the core, when measured at room temperature in an alternating magnetic field with a frequency of 3 MHz and at a magnetic flux density of 10 mT, are at most 150 mW/cm³.

The invention is based on the recognition that substantially all losses occur in the core of the coil during the ignition of the illumination unit. In fact, no substantial energy transfer to the discharge space takes place yet during ignition. Moreover, the losses occurring during ignition are comparatively high in relation to those during nominal operation because a comparatively high magnetic field strength prevails in the core during ignition. A substantially greater power is then derived from the supply device than during nominal operation. The core used in the illumination unit according to the invention, of which the losses under the said circumstances are below 150 mW/cm³, loads the supply device to a considerably lesser extent. Since the resonant circuit in which the coil is included is subject to less damping as a result of the comparatively low losses, moreover, a higher ignition voltage is generated which causes the lamp to ignite more quickly. The supply device is thus loaded not only less heavily but also for a shorter time during ignition, so that it can have a longer useful life.

An attractive embodiment of the illumination unit according to the invention is characterized in that the sintered core is made of a ferrite material having a granular structure in which the major portion of the grains has a monodomain structure. The expression "the major portion of the grains" is understood to mean that at least 90% of the grains has a monodomain structure, *i.e.* has only one magnetic domain each. It was found that sintered cores of ferrite material of which most grains are monodomain, also referred to as monodomain ferrite material hereinafter, are subject to low overall losses. Losses occurring in the core can be reduced by 50% or more with these materials. An example of such a material is monodomain Mn-Zn ferrite. An exact explanation of this strong decrease in the losses is not yet available.

An advantageous embodiment is characterized in that the core is made of monodomain Ni-Zn ferrite material. The inventors have found that a core of this material shows surprisingly low losses, also for comparatively high frequency values, for example 10 MHz. Applicant has also experimentally established that the low losses are independent of the magnetic permeability (μ) and - in the case of small grain dimensions - of the exact grain size.

A preferred embodiment of the invention is characterized in that the average grain size of the material described in the preceding paragraph is at most 2.8 μm . Applicant has established in a series of experiments that approximately 90% of the grains is of the monodomain variety at an average grain size of approximately 2.8 μm .

It is noted that US 4,372,865 discloses a method of manufacturing products of a soft magnetic material, in particular of MnZn ferrite. A powder of spherical ferrite particles of 1-10 μm in size is manufactured thereby in a coprecipitation process. The object of this is to render possible a comparatively great spread in the temperature of a subsequent sintering process without adverse effects on the magnetic properties of the sintered end product. The patent specification does not make a pronouncement on the particle size of the sintered end product.

It was found by Applicant that the quantity of monodomain grains rises proportionally as the average grain size decreases. A quantity of substantially 100% of monodomain grains is achieved below an average grain size of approximately 2.6 μm . Owing to a loss mechanism which is as yet not understood, however, the overall losses rise again when the average grain size is chosen to be smaller than 1.1 μm , in spite of the fact that these small grains are monodomain. In the preferred range in which the average grain size is from 1.3 to 2.6 μm , the overall losses are substantially constant and substantially independent of grain size. The grain size of the sintered Ni-Zn cores was determined by the so-called "mean-linear-intercept" method.

It is noted that the material 4C6 with a composition defined by the formula $\text{Ni}_{0.64}\text{Zn}_{0.32}\text{Co}_{0.03}\text{Fe}_{2.01}\text{O}_4$ and with a grain size of 4.1 μm is used in the known illumination unit. Less than the major portion of the grains is monodomain in this material. The losses therein amount to approximately 320 mW/cm^3 at a frequency of 3 MHz and a magnetic flux density of 10 mT.

A further favourable embodiment of the illumination unit according to the invention is characterized in that the monodomain ferrite material comprises 42.8-55.9 mole% Fe_2O_3 , 17.6-45.7 mole% NiO and 8.4-34.3 mole% ZnO. Cores having a composition within these limits exhibit a comparatively high spontaneous induction (B_s). This is favourable for such cores because in this case the losses are comparatively low compared with cores whose spontaneous induction is comparatively low. Moreover, these ferrites usually have a Curie temperature above 200 °C. The comparatively high Curie temperature allows for comparatively wide tolerances in the design of the lamp.

It is noted that the ferrite material preferably comprises a comparatively small quantity of Co. The presence of this additive leads to a comparatively plane μ -T curve, especially in the range of temperatures which occur in the core of the illumination unit during operation. A Co quantity above 1.5 at%, however, is detrimental. The said curve does not become planer thereby than it already is with a smaller quantity of the expensive Co. In addition, the ferrite material according to the invention may comprise small quantities of dopants. This refers in particular to sintering aids such as V_2O_5 and Bi_2O_3 . Besides, for example, MnO, SiO_2 and CaO may be present. The maximum quantity of each of these dopants, however is always less than 2% by weight.

A further embodiment of the illumination unit according to the invention is characterized in that the monodomain ferrite material comprises 42.8-51.9 mole% Fe_2O_3 , 19.2-45.7 mole% NiO and 9.6-34.3 mole% ZnO. Such a composition contributes, as does the use of Co, to a comparatively plane μ -T curve in the said temperature range.

A favourable embodiment of the illumination unit according to the invention is also one which is characterized in that the average width of the non-magnetic grain boundary region in the monodomain Ni-Zn ferrite material is smaller than 4 nm. The expression "non-magnetic grain boundary region" is understood to mean the phase between the monodomain ferrite grains. The average width δ of the non-magnetic grain boundary region is defined as the ratio of the average grain size d to the initial permeability μ_i measured at the Curie temperature T_c of the relevant ferrite material.

The last-mentioned embodiment is based on the observation that hysteresis losses in the sintered ferrite material with monodomain grains provide a major contribution to the overall losses, given the comparatively high magnetic flux densities occurring during ignition, when δ is chosen to be comparatively great. This contribution can be considerably reduced in that the said non-magnetic grain boundary region is made smaller than 4 nm. In that case, a smaller portion of the applied field is across the grain boundary during operation of the illumination unit. The result is that a greater portion of the applied field is available for varying the magnetization of the ferrite material with the desired waveform. The width of the grain boundary region is found to depend to a lesser or greater degree on the deviation from stoichiometry of the ferrite material. In the case of major deviations from stoichiometry, a greater portion of bivalent metal oxides (for example, NiO and/or ZnO) will deposit on the grain boundaries. This increases the δ value. Sintered ferrite materials which are substantially stoichiometrical have a δ value below 4 nm.

A yet further favourable embodiment of the illumination unit according to the invention is characterized in that the monodomain ferrite material comprises 42.8-50.0 mole% Fe_2O_3 , 20.0-45.7 mole% NiO and 10.0-34.3 mole% ZnO. In contrast to the composition ranges mentioned earlier, the Ni-Zn ferrites described here all have a shortage of Fe. A shortage of Fe is favourable because the presence of Fe^{2+} ions in the ferrite material is avoided thereby. The presence of such ions will lead to increased eddy current losses in the

core.

Embodiments of the invention are explained in more detail with reference to the examples and the drawings, in which:

Fig. 1 shows an illumination unit comprising an electrodeless low-pressure discharge lamp according to the invention, partly in side elevation and partly in longitudinal section,

Fig. 2 shows the ignition voltage V_{ign} (V) as a function of the self-induction H (μH) of the coil for various values of the grain size d (μm), and

Fig. 3 is a graph of the losses per unit volume P (mW/cm^3) as a function of the grain size d (μm) for a number of sintered cores.

The illumination unit shown in Fig. 1 comprises an electrodeless low-pressure discharge lamp 20 and a supply device 50. The electrodeless low-pressure discharge lamp 20 has a discharge vessel 30 which encloses in a gaslight manner a discharge space 31 which is provided with an ionizable filling. The discharge space 31 contains mercury and argon in this case. The discharge vessel 30 is provided with a layer 33 of luminescent material at an inner surface 32. In an alternative embodiment, such a layer is absent and the filling comprises sodium. The discharge vessel 30 is fastened to a synthetic-resin carrier 34. The lamp 20 further comprises a coil 40 formed by a sintered core 41 of polycrystalline ferrite which supports a winding 42. The losses in the core are at most $150 \text{ mW}/\text{cm}^3$ when measured at room temperature in a magnetic field with a frequency of 3 MHz and a magnetic flux density of 10 mT. The core is made, for example, from an Ni-Zn ferrite of which the major portion of the grains is monodomain, for example, Ni-Zn ferrite with a grain size of $3.0 \mu\text{m}$. Under the said circumstances, the losses therein amount to $140 \text{ mW}/\text{cm}^3$. The core may be, for example, annular. In the embodiment shown, the core 41 has the shape of a hollow cylinder with a length of 50 mm and an inner and outer diameter of 8 and 12 mm, respectively. In the cavity inside the cylindrical core 41, a heat pipe is arranged which is thermally coupled to a metal disc accommodated in the carrier (not shown in Fig. 1). The coil 40 is present outside the discharge space 31 in a cavity 35 of the discharge vessel 30. Alternatively, the coil 40 may be arranged in the discharge space 31. A high-frequency magnetic field is induced by the coil 40 during operation, which keeps a discharge going.

The winding 42 of the coil 40 comprises 20 turns 43. The coil 40 further comprises a further winding 44 which also comprises 20 turns. The further winding 44 has the same winding direction as the winding 42 and lies against the winding 42 over its entire length. The winding 42 is connected at its ends to a first and a second output terminal 54, 55, respectively, of a supply device 50 *via* a first and a second current supply conductor 51, 52 which form a core and a sheath, respectively, of a coaxial cable 53 over part of their length. During nominal operation, the first output terminal 54 of the supply device 50 delivers a supply voltage with a frequency of approximately 3 MHz. The second output terminal 55 is free from high-frequency voltage variations. Such a supply device is known from US 4,748,383. The supply device 50 is connected to poles P and N of the mains.

The further winding 44 is also connected with one end to the second current supply conductor 52. Said end lies opposite the end of the winding 42 which is connected to current supply conductor 52. The further winding 44 has another end which is free.

The ignition voltages were measured for lamps according to the invention and for lamps not according to the invention. For this purpose, cores were manufactured with average grain sizes of 6.8, 4.1, 3.0 and $2.8 \mu\text{m}$. A series of 10 coils with different self-induction values was subsequently wound with each type of core. Depending on the interspacing between the turns, the self-induction measured at 3 MHz varied within each series from approximately 12 to approximately $26 \mu\text{H}$. The composition of the core having a grain size of $4.1 \mu\text{m}$ is defined by the formula $\text{Ni}_{0.64}\text{Zn}_{0.32}\text{Co}_{0.03}\text{Fe}_{2.01}\text{O}_4$. The composition of the other cores was defined by the formula $\text{Ni}_{0.49}\text{Zn}_{0.49}\text{Co}_{0.02}\text{Fe}_{1.90}\text{O}_{3.85}$. In the graph shown in Fig. 2, the ignition voltage (V_{ign}) measured across the coils is given as a function of the self-induction (L). In this graph, curves A, B, C and D represent the established relationship for cores having grain sizes of 6.8, 4.1, 3.0 and $2.8 \mu\text{m}$, respectively. The losses occurring in these cores in a magnetic field with a frequency of 3 MHz and a magnetic flux density of 10 mT are, in that order, 910, 320, 140 and $100 \text{ mW}/\text{cm}^3$. The maximum ignition voltages which were reached for the said cores were 1250, 1325, 1437 and 1537 V, respectively. The maximum ignition voltage reached in a lamp according to the invention (C, D), in which the core losses are below $150 \text{ mW}/\text{cm}^3$, is comparatively high in relation to that of lamps not according to the invention (A, B). A very favourable lamp is found to be lamp D, in which a core of 90% monodomain ferrite material is used.

Experiments have further shown that a reduction in the value of the non-magnetic grain boundary region δ by a factor 2 leads to a further increase in the ignition voltage by 90 V.

The losses were measured at a frequency of 3 MHz and a magnetic flux density of 10 mT of cores made of sintered Ni-Zn ferrite with a composition defined by the formula $\text{Ni}_{0.49}\text{Zn}_{0.49}\text{Co}_{0.02}\text{Fe}_{1.90}\text{O}_{3.85}$. Fig. 3

is a graph in which the overall losses per unit volume P of the sintered cores of the above composition are plotted as a function of the average grain size ("mean-linear-intercept" values). The sintered cores were manufactured starting from a powder of Ni-Zn ferrite. This powder was manufactured by standard ceramic techniques. Oxides and/or carbonates of the metals were mixed in a ratio corresponding to the envisaged composition, pre-fired and ground in the wet state. The mixture thus obtained was either dried and granulated or sprayed dry and subsequently compacted into the envisaged shape and sintered in air. Through variation of the sintering temperature (1000 °C - 1300 °C) and the sintering time, a number of the sintered cores described above were thus manufactured with different grain sizes. The material of the sintered core with an average grain size of 0.3 μm was manufactured by means of hot isostatic moulding. The measurement was carried out at 20 °C and at 100 °C at a frequency of 3 MHz and a magnetic flux density of 10 mT. The Figure clearly shows that the overall losses for a grain size between 1.1 and 2.8 μm are below 100 mW/cm³. The lowest overall losses, however, are found at an average grain size between 1.3 and 2.6 μm. These losses are no more than approximately 60 to 70 mW/cm³. It could be ascertained by means of neutron depolarization measurements of these cores that substantially 100% of the grains of the cores having an average grain size below 2.6 μm have a monodomain structure.

The Table below lists the overall losses per unit volume P (mW/cm³) for a number of sintered cores of Ni-Zn ferrite suitable for the illumination unit according to the invention (examples a to d) compared with a number of sintered cores (examples A to D) not suitable for the illumination unit according to the invention. The overall losses per unit volume (P) were determined for the cores under three different circumstances: P1 (3 MHz and 10 mT), P2 (5 MHz and 7.5 mT) and P3 (10 MHz and 5 mT). It is apparent from this Table that the sintered cores of Ni-Zn ferrite show surprisingly low losses also for comparatively high frequency values, for example, 10 MHz.

Example	d	P1	P2	P3
a	6.8	797	1000	1350
b	3.8	759	978	1385
c	3.3	633	800	1244
d	3.1	190	240	150
1	2.6	82	78	91
2	2.4	66	64	59
3	2.2	67	66	59
4	1.7	58	56	51
5	1.1	75	74	66

Claims

1. A illumination unit comprising an electrodeless low-pressure discharge lamp and a supply device, which lamp has a discharge vessel enclosing in a gastight manner a discharge space provided with an ionizable filling, and which lamp in addition has a coil provided with a winding around a sintered core of polycrystalline ferrite material, which winding is connected to the supply device, the coil being capable of inducing a high-frequency magnetic field which maintains a discharge in the discharge space, characterized in that the losses in the core, when measured at room temperature in an alternating magnetic field with a frequency of 3 MHz and at a magnetic flux density of 10 mT are at most 150 mW/cm³.
2. An illumination unit as claimed in Claim 1, characterized in that the sintered core is made of a ferrite material having a granular structure in which the major portion of the grains has a monodomain structure.
3. An illumination unit as claimed in Claim 2, characterized in that the core is made of Ni-Zn ferrite material.

4. An illumination unit as claimed in Claim 3, characterized in that the average grain size of the ferrite material is at most 2.8 μm .
- 5 5. An illumination unit as claimed in Claim 4, characterized in that the average size of the grains of ferrite material lies between 1.3 and 2.6 μm .
6. An illumination unit as claimed in Claim 3, 4 or 5, characterized in that the ferrite material of the core comprises 42.8-55.9 mole% Fe_2O_3 , 17.6-45.7 mole% NiO and 8.4-34.3 mole% ZnO.
- 10 7. An illumination unit as claimed in Claim 6, characterized in that the ferrite material of the core comprises 42.8-51.9 mole% Fe_2O_3 , 19.2-45.7 mole% NiO and 9.6-34.3 mole% ZnO.
8. An illumination unit as claimed in any one of the Claims 3 to 7, characterized in that the average width of the non-magnetic grain boundary region in the ferrite material is smaller than 4 nm.
- 15 9. An illumination unit as claimed in Claim 7 or 8, characterized in that the ferrite material of the core comprises 42.8-50.0 mole% Fe_2O_3 , 20.0-45.7 mole% NiO and 10.0-34.3 mole% ZnO.
10. An electrodeless low-pressure discharge lamp as defined in any one of the Claims 1 to 9, suitable for use in an illumination unit as claimed in that same Claim.
- 20 11. A coil as defined in any one of the Claims 1 to 9, suitable for use in an illumination unit as claimed in that same Claim.

25

30

35

40

45

50

55

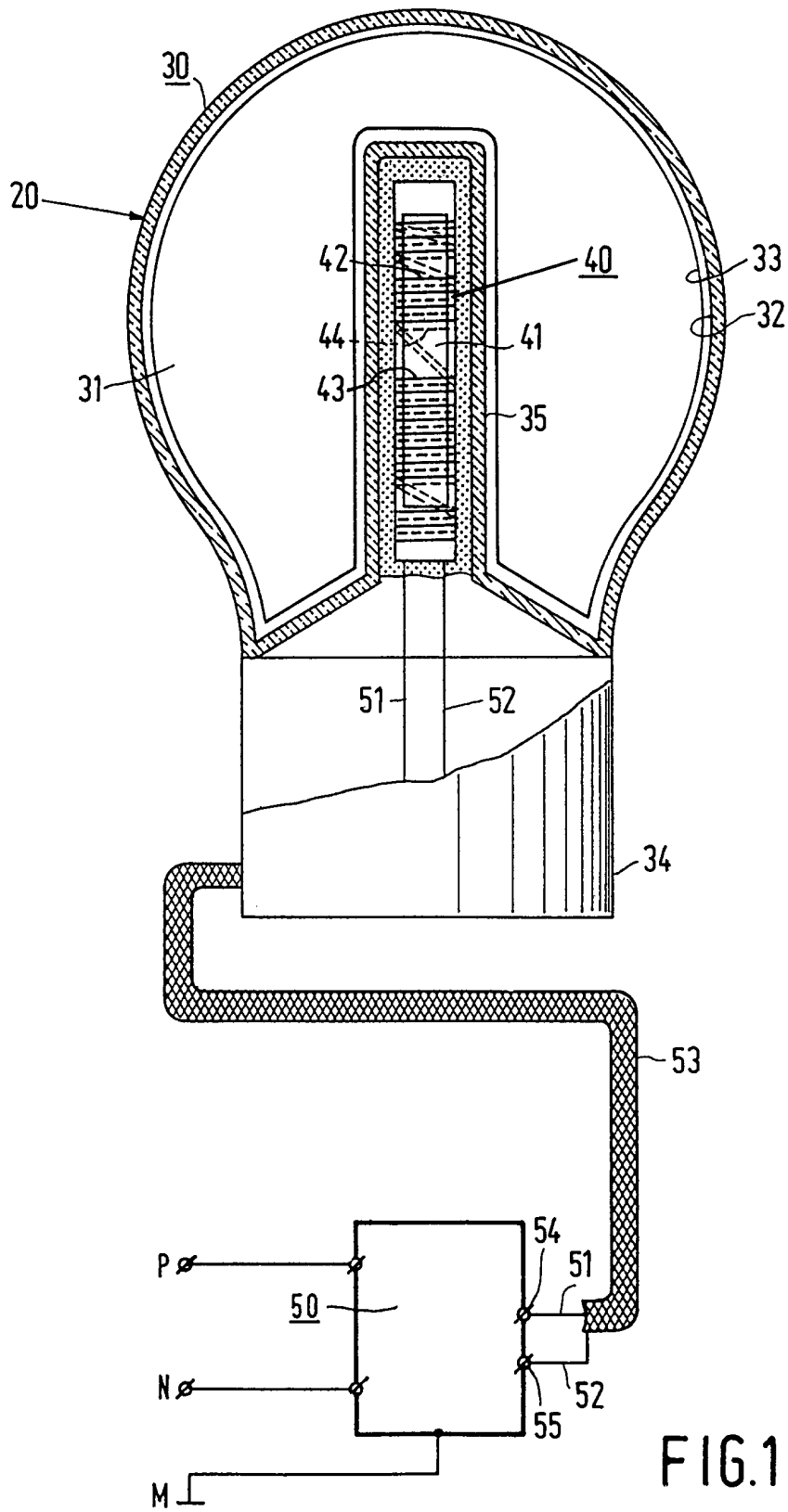


FIG.1

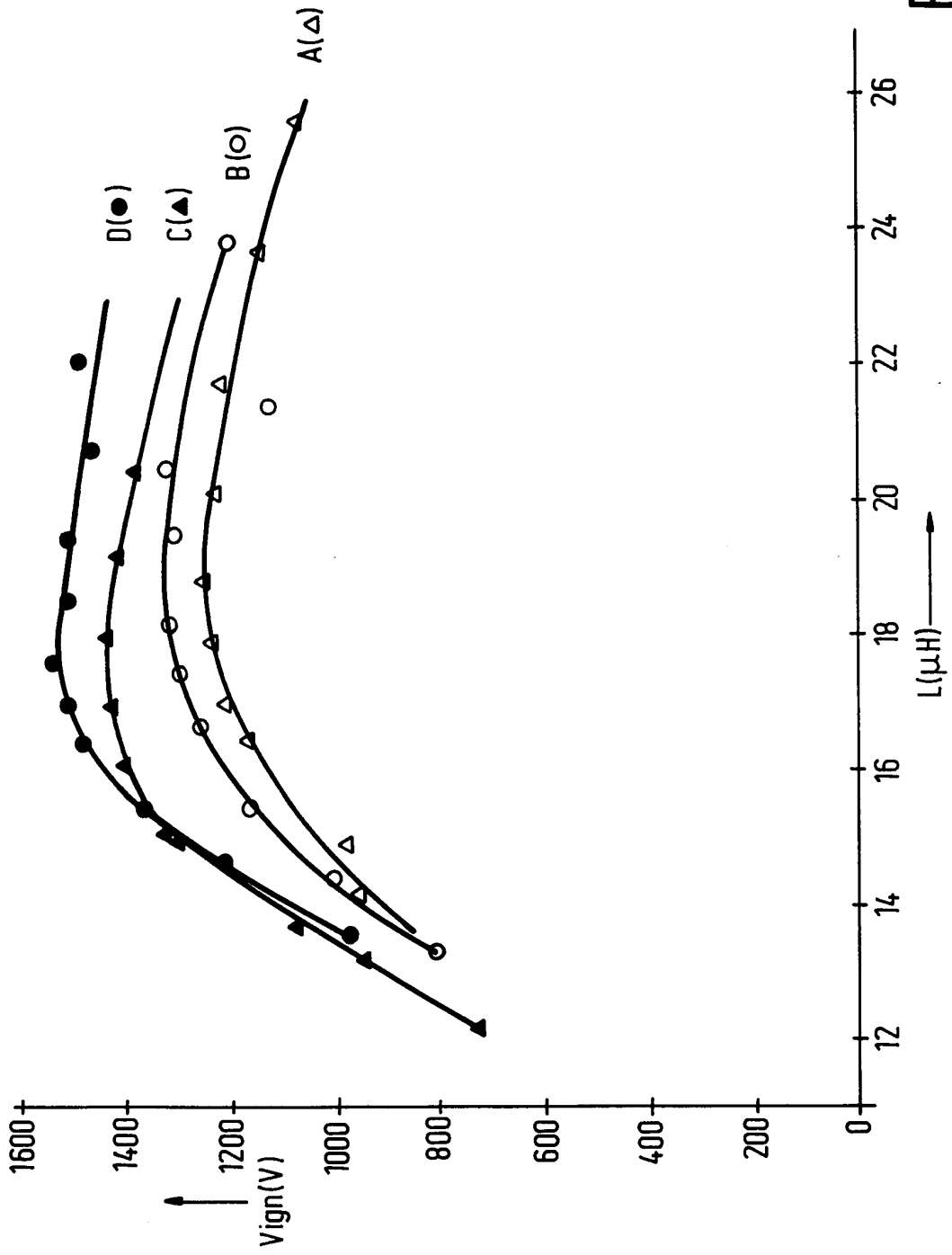


FIG. 2

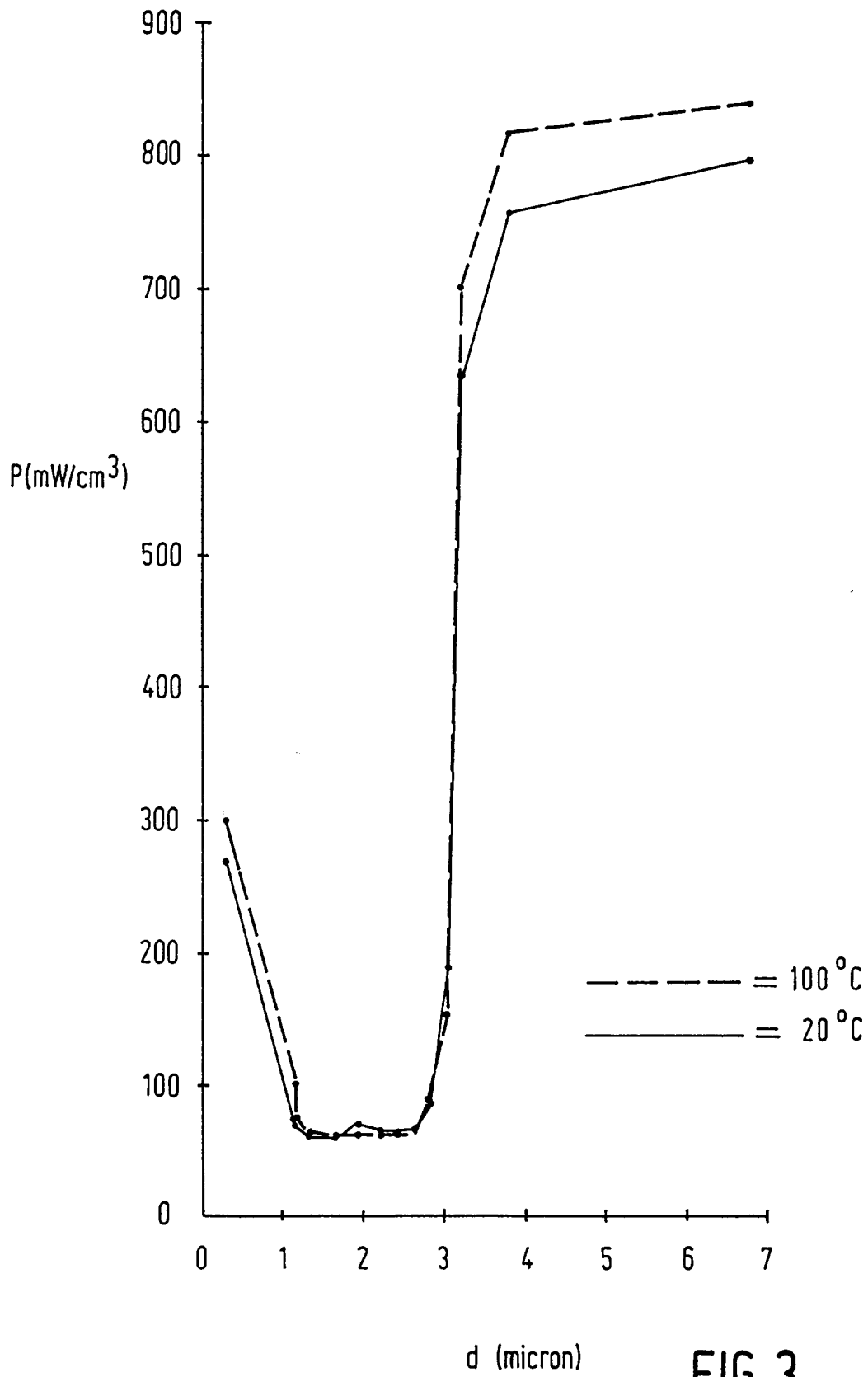


FIG. 3



DOCUMENTS CONSIDERED TO BE RELEVANT			
Category	Citation of document with indication, where appropriate, of relevant passages	Relevant to claim	CLASSIFICATION OF THE APPLICATION (Int.Cl.5)
A	FR-A-2 298 187 (GENERAL ELECTRIC COMPANY) * page 6, line 12 - page 7, line 15; claim 1 *	1	H01J65/04 H01F1/34 C04B35/26
D,A	US-A-4 372 865 (SPANG INDUSTRIES INC.) * column 6, line 40 - line 63 * * column 9, line 13 - line 33 * * column 11, line 1 - line 5; claims 1-7 * * column 5, line 9 - line 29 *	1-4,6,7	
A	FERRITES, PROCEEDINGS OF THE ICF 3, September 1980, TOKIO JP pages 257 - 264 R.K.MISHRA ET AL * page 259, column 1, paragraph 4 - column 2, paragraph 1; figure 4 *	1,2	
A	DE-A-14 49 403 (N.V.PHILIPS GLOEILAMPENFABRIEKEN) * page 3, paragraph 4 - page 4, line 2; claims 1,2,4; example 1 *	1-6	
			TECHNICAL FIELDS SEARCHED (Int.Cl.5)
			H01F H01J
The present search report has been drawn up for all claims			
Place of search		Date of completion of the search	Examiner
THE HAGUE		6 September 1994	Decanniere, L
CATEGORY OF CITED DOCUMENTS			
X : particularly relevant if taken alone Y : particularly relevant if combined with another document of the same category A : technological background O : non-written disclosure P : intermediate document		T : theory or principle underlying the invention E : earlier patent document, but published on, or after the filing date D : document cited in the application L : document cited for other reasons & : member of the same patent family, corresponding document	