

University of Groningen

## Sintered moulding, transformer core and inductor of li(ni)zn ferrite material, as well as applications thereof

van der Zaag, Pieter Jan; van der Valk, Pieter Johan

**IMPORTANT NOTE: You are advised to consult the publisher's version (publisher's PDF) if you wish to cite from it. Please check the document version below.**

*Document Version*

Publisher's PDF, also known as Version of record

*Publication date:*

1996

[Link to publication in University of Groningen/UMCG research database](#)

*Citation for published version (APA):*

van der Zaag, P. J., & van der Valk, P. J. (1996). Sintered moulding, transformer core and inductor of li(ni)zn ferrite material, as well as applications thereof. (Patent No. *WO9608449*).

### Copyright

Other than for strictly personal use, it is not permitted to download or to forward/distribute the text or part of it without the consent of the author(s) and/or copyright holder(s), unless the work is under an open content license (like Creative Commons).

The publication may also be distributed here under the terms of Article 25fa of the Dutch Copyright Act, indicated by the "Taverne" license. More information can be found on the University of Groningen website: <https://www.rug.nl/library/open-access/self-archiving-pure/taverne-amendment>.

### Take-down policy

If you believe that this document breaches copyright please contact us providing details, and we will remove access to the work immediately and investigate your claim.

*Downloaded from the University of Groningen/UMCG research database (Pure): <http://www.rug.nl/research/portal>. For technical reasons the number of authors shown on this cover page is limited to 10 maximum.*

(51) International Patent Classification <sup>6</sup> :

C04B 35/26, H01F 1/34

A1

(11) International Publication Number:

WO 96/08449

(43) International Publication Date:

21 March 1996 (21.03.96)

(21) International Application Number: PCT/IB95/00732

(22) International Filing Date: 5 September 1995 (05.09.95)

(30) Priority Data:

94202644.4 14 September 1994 (14.09.94) EP

(34) Countries for which the regional or international application was filed: NL et al.

(71) Applicant: PHILIPS ELECTRONICS N.V. [NL/NL]; Groenewoudseweg 1, NL-5621 BA Eindhoven (NL).

(71) Applicant (for SE only): PHILIPS NORDEN AB [SE/SE]; Kottbygatan 5, Kista, S-164 85 Stockholm (SE).

(72) Inventors: VAN DER ZAAG, Pieter, Jan; Groenewoudseweg 1, NL-5621 BA Eindhoven (NL). VAN DER VALK, Pieter, Johan; Hispano Ferritas, Apartado Correas 91, E-19004 Guadalajara (ES).

(74) Agents: VAN DER VEER, Johannes, Leendert et al.; Internationaal Octrooibureau B.V., P.O. Box 220, NL-5600 AE Eindhoven (NL).

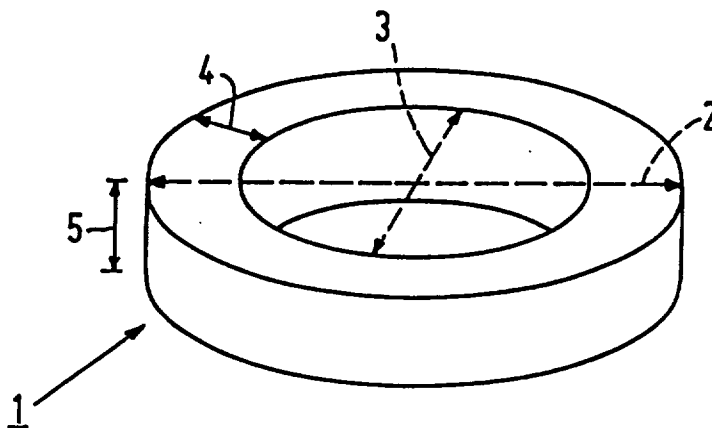
(81) Designated States: HU, JP, European patent (AT, BE, CH, DE, DK, ES, FR, GB, GR, IE, IT, LU, MC, NL, PT, SE).

**Published***With international search report.**Before the expiration of the time limit for amending the claims and to be republished in the event of the receipt of amendments.*

(54) Title: SINTERED MOULDING, TRANSFORMER CORE AND INDUCTOR OF Li(Ni)Zn FERRITE MATERIAL, AS WELL AS APPLICATIONS THEREOF

## (57) Abstract

The invention relates to a sintered moulding of Li(Ni)Zn ferrite material, a transformer core and an inductor core of this material as well as several applications of these cores. In accordance with the invention, the majority of the grains of the sintered material have a monodomain structure. This leads to a substantial reduction of the loss factor and the overall losses when these mouldings are subjected to high-frequency applications and power applications. The ferrite material preferably comprises 59-65 mol% Fe<sub>2</sub>O<sub>3</sub>, 7-11 mol% Li<sub>2</sub>CO<sub>3</sub>, 4-8 mol% MnO and 20-28 mol% ZnO. This also provides the material with a high saturation magnetization.



**FOR THE PURPOSES OF INFORMATION ONLY**

Codes used to identify States party to the PCT on the front pages of pamphlets publishing international applications under the PCT.

AT	Austria	GB	United Kingdom	MR	Mauritania
AU	Australia	GE	Georgia	MW	Malawi
BB	Barbados	GN	Guinea	NE	Niger
BE	Belgium	GR	Greece	NL	Netherlands
BF	Burkina Faso	HU	Hungary	NO	Norway
BG	Bulgaria	IE	Ireland	NZ	New Zealand
BJ	Benin	IT	Italy	PL	Poland
BR	Brazil	JP	Japan	PT	Portugal
BY	Belarus	KE	Kenya	RO	Romania
CA	Canada	KG	Kyrgystan	RU	Russian Federation
CF	Central African Republic	KP	Democratic People's Republic of Korea	SD	Sudan
CG	Congo	KR	Republic of Korea	SE	Sweden
CH	Switzerland	KZ	Kazakhstan	SI	Slovenia
CI	Côte d'Ivoire	LI	Liechtenstein	SK	Slovakia
CM	Cameroon	LK	Sri Lanka	SN	Senegal
CN	China	LU	Luxembourg	TD	Chad
CS	Czechoslovakia	LV	Latvia	TG	Togo
CZ	Czech Republic	MC	Monaco	TJ	Tajikistan
DE	Germany	MD	Republic of Moldova	TT	Trinidad and Tobago
DK	Denmark	MG	Madagascar	UA	Ukraine
ES	Spain	ML	Mali	US	United States of America
FI	Finland	MN	Mongolia	UZ	Uzbekistan
FR	France			VN	Viet Nam
GA	Gabon				

Sintered moulding, transformer core and inductor core of Li(Ni)Zn ferrite material, as well as applications thereof.

The invention relates to a sintered moulding made from Li(Ni)Zn ferrite material. Li(Ni)Zn ferrite material is to be understood to mean herein pure LiZn ferrite material having a spinel structure as well as related ferrite material, in which Li is partly replaced by Ni. The invention also relates to a transformer core and an inductor core which are made from this material. The invention additionally relates to a transformer comprising a transformer core of the above-mentioned type as well as to an induction lamp comprising an inductor of the above-mentioned type.

Mouldings of the type mentioned in the opening paragraph are known *per se*. For example, in Philips Data Handbook MA-01, 1993, page 134 a description is given of a sintered moulding in the form of a transformer core which is commercially available under the trade name 6B1. The material composition of this sintered moulding corresponds to the formula  $\text{Li}_{0.32}\text{Zn}_{0.43}\text{Mn}_{0.11}\text{Fe}_{2.16}\text{O}_{3.915}$ .

Said known moulding has the disadvantage that when it is used as a transformer core in a transformer which is operated at high frequencies, it exhibits a relatively high loss factor (V) and high overall losses (P). It has been found that the losses at room temperature are approximately  $17.0 \text{ mW/cm}^3$ . This value is measured at a frequency of 3 MHz and an induction of 1 mT. These losses increase considerably when a higher induction is used or when the frequency is further increased. For example, the overall losses amount to  $180 \text{ mW/cm}^3$  at a frequency of 3 MHz and an induction of 5 mT. When said known moulding is used as a transformer core in a transformer, said high overall losses may lead to undesirable heating of the transformer. Consequently, transformer cores made from this type of material are unsuitable, in particular, for use in so-called "power" transformers. These transformers are operated at relatively high frequencies of 1 MHz or more and at relatively high inductions of 5 mT or more. In general, the expression "power applications" is to be understood to mean applications of this type of ferrite materials at frequencies in excess of 1 MHz in combination with inductions in excess of 1 mT.

It is an object of the invention to obviate the above disadvantages. The invention more particularly aims at providing a sintered moulding of Li(Ni)Zn ferrite material which exhibits relatively low losses at high-frequency applications, more particularly

at power applications. The invention additionally provides a number of favourable applications of the inventive material in which the property of low overall losses of the inventive material is used.

5 These and other objects of the invention are achieved by a sintered moulding of Li(Ni)Zn ferrite material which is characterized in accordance with the invention in that the majority of the grains of the sintered material have a monodomain structure.

Applicants have experimentally established that sintered mouldings of Li(Ni)Zn ferrite materials exhibit a surprisingly low loss factor and surprisingly low overall losses if the majority of the grains of the sintered material are monodomain. This  
10 phenomenon already occurs when said mouldings are used at frequencies of 1 MHz and higher. This reduction of the losses occurs in particular when the mouldings are used at a high frequency in combination with a high induction, such as in the case of "power" applications. Under certain conditions the losses can be halved or more than halved. The sintered mouldings in accordance with the invention can thus advantageously be used in the  
15 form of a transformer core or an inductor core, for example in a transponder or a lamp (ballast coil). It is noted that the expression "the majority of the grains" is to be understood to mean herein "at least 90% of the grains". It is further noted that grains having a monodomain structure comprise only one magnetic domain.

A preferred embodiment of the sintered moulding in accordance with the  
20 invention is characterized in that the average grain size of the material is 4.2 microns or less. Applicants have established in a series of experiments that in the case of an average grain size of approximately 4.2 micrometers, the quantity of grains having a monodomain structure in the sintered material is approximately 90%. A smaller average grain size leads to a higher percentage of grains having a monodomain structure. Percentages of 98% or more are  
25 obtained if the average grain size of the Li(Ni)Zn ferrite material lies in the range of 1.6-2.6 micrometers. Sintered mouldings having an average grain size in this range exhibit the lowest overall losses. It is noted that the average grain size of the known 6B1 material is approximately 7 microns. The majority of the grains of this sintered material do not have a monodomain structure.

30 As mentioned hereinabove, the ferrite material in accordance with the invention comprises, in addition to Fe, at least Li and Zn as metal ions. Dependent upon the desired application, a part of the Li ions can be replaced by Ni ions. It has been found that up to 50 at. % of Li can be substituted with Ni. In this case, one Li<sup>+</sup>-ion and one Fe<sup>3+</sup>-ion are replaced by two Ni<sup>2+</sup>-ions. It has been found that such mixed ferrite materials also

exhibit reduced overall losses if the average grain size is so small that the majority of the grains are monodomain. For reasons relating to costs, however, it is favourable to replace less than 25 at. % of Li by the relatively expensive Ni. Preferably, even less than 10 at. % of Li is replaced by Ni. The cheapest sintered mouldings in accordance with the invention do  
5 not comprise any Ni at all.

The ferrite material in accordance with the invention preferably also comprises a small quantity of Co. This additive leads to a relatively flat  $\mu$ -T curve, in particular in the temperature range in which power transformers are customarily used. However, a quantity of Co in excess of 1.5 at. % is disadvantageous. Said larger quantities  
10 do not lead to a flatter curve. In addition, Co is expensive and toxic. The ferrite material in accordance with the invention may also comprise small quantities of dopants, such as the sintering agents  $V_2O_5$  and/or  $Bi_2O_3$ . The ferrite material may also comprise relatively small quantities of MnO,  $SiO_2$  and/or CaO. The typical quantity of these dopants is generally less than 4 wt. %.

Another preferred embodiment of the moulding in accordance with the invention is characterized in that the ferrite material of the core comprises 59-65 mol%  $Fe_2O_3$ , 7-11 mol%  $Li_2CO_3$ , 4-8 mol% MnO and 20-28 mol% ZnO. Sintered mouldings of this composition exhibit a relatively high spontaneous magnetic induction  $B_s$ . By virtue of said property, it is extra interesting to use mouldings of this composition as transformer  
15 cores or inductor cores.

The invention also relates to a transformer comprising a primary and a secondary winding as well as a high-frequency switch for converting a DC voltage on the primary winding to an AC voltage. In accordance with the invention, this transformer comprises a transformer core of Li(Ni)Zn ferrite material, as described hereinabove. This  
25 type of transformer is commonly referred to as "switched mode power supply" and can be operated at high frequencies and high inductions. As the transformer cores in accordance with the invention exhibit low overall losses under these conditions, undesirable heating of the transformer is avoided to an important degree.

The invention also relates to an induction lamp comprising a power-supply  
30 device, a discharge vessel, which encloses a discharge space filled with an ionizable gas, as well as a sintered inductor core having a winding which is connected to the power-supply device. The induction lamp is provided, in accordance with the invention, with an inductor core as described hereinabove. During operation of such a lamp, a high-frequency electromagnetic field is generated in the discharge space by means of said winding. This

leads to losses in the inductor core. By using an inductor core in accordance with the invention, said losses remain relatively small. This measure leads to a longer life of the induction lamp.

5 These and other aspects of the invention will be apparent from and elucidated with reference to the embodiments described hereinafter.

In the drawings:

Fig. 1 is a perspective view of a transformer core in accordance with the invention;

10 Fig. 2 is a perspective view of an inductor core in accordance with the invention;

Fig. 3 is a schematic diagram of a switched mode power supply (SMPS) in accordance with the invention;

15 Fig. 4 is a sectional view of an induction lamp in accordance with the invention.

Fig. 1 shows a ring-shaped transformer core 1. In this case, said transformer core has an outer diameter 2 of 5 mm and an inner diameter of 3 mm. The width 4 and the height 5 of said ring are both 1 mm. It is noted that the core may also have a completely different shape, for example an oval shape. The cross-section of the ring may alternatively be rectangular or round instead of square, as shown in Fig. 1. The transformer core is composed of a sintered moulding of LiZn ferrite material of the nominal composition

$$\text{Li}_{0.32}\text{Zn}_{0.42}\text{Mn}_{0.11}\text{Fe}_{2.16}\text{O}_{3.985}$$

20 Fig. 2 shows a rod-shaped inductor 11 which is made from sintered Li(Ni)Zn ferrite material. Said inductor may be oval or square in section. Although the drawing shows a solid inductor core, it is alternatively possible to construct the inductor as a hollow tube. The inductor comprises a winding 12 which can be connected to a power-supply device. The material of the inductor also has the nominal composition



30 The above-mentioned transformer and inductor cores were manufactured as follows. For the starting material use was made of a mixture of 76.6 wt. %  $\text{Fe}_2\text{O}_3$ , 5.42 wt. %  $\text{Li}_2\text{CO}_3$ , 3.43 wt. %  $\text{MnO}$ , 15.2 wt. %  $\text{ZnO}$  and 0.44 wt. %  $\text{Bi}_2\text{O}_3$ .  $\text{Bi}_2\text{O}_3$  was added as a sintering agent. The mixture was ground, pre-fired and subsequently subjected to a wet grinding operation. The mixture thus obtained was dry sprayed or dried and granulated, whereafter it was compacted into the intended shape and sintered in air. A number of

transformer and inductor cores having the above-mentioned nominal composition and exhibiting different average grain sizes can be obtained in this manner by varying the duration and the temperature (900-1150° C) of the sintering process. In the present case the sinter duration was kept constant (1.5 hour) whereas the sinter temperature was varied. The sinter temperature used and the corresponding average grain size  $d$  (micrometer) are indicated in Table 1. The average grain size was measured by means of the so-called "linear mean intercept" method.

The loss factor  $V$  and the overall losses  $P$  (mW/cm<sup>3</sup>) of a number of the above-mentioned transformer cores were measured as a function of the average grain size  $d$ . Said measurements were carried out at a frequency and induction of, respectively, 3 MHz and 0.1 mT ( $V_1$ ), 5 MHz and 0.1 mT ( $V_2$ ), 3 MHz and 1 mT ( $P_1$ ), 3 MHz and 5 mT ( $P_2$ ) and 5 MHz and 1 mT ( $P_3$ ). The measured values are listed in Table 1.

15

TABLE 1

20

25

$d$	$T(^{\circ}\text{C})$	$V_1(10^{-6})$	$V_2(10^{-6})$	$P_1$	$P_2$	$P_3$
1.59	900	67	117	2.1	106	3.6
1.70	912	67	113	1.4	104	2.7
1.92	925	68	113	1.4	102	2.8
2.36	950	73	130	1.4	100	3.0
2.61	975	78	164	1.2	98	3.1
4.21	1000	81	214	1.4	97	4.3
4.92	1025	93	313	1.7	117	5.7
5.60	1050	99	357	1.9	120	7.3
6.30	1100	128	541	3.3	162	12.7
7.23	1150	163	731	4.7	180	17.0

The Table shows that the loss factor ( $\tan\delta/\mu$ ) and the overall losses are relatively small if the average grain size of the core is 4.2 micrometers or less. Neutron depolarization measurements have shown that, under these conditions, the majority of the grains have a monodomain structure.

In further experiments a number of so-called mixed Li/Ni-ferrite cores



was manufactured using two different compositions. The loss factor  $V$  was measured as a function of the average grain size  $d$  (microns). Said measurements were carried out at a frequency of 5 MHz and an induction of 0.1 mT. The results of these measurements are depicted in Table 2 for the composition  $\text{Ni}_{0.32}\text{Li}_{0.16}\text{Zn}_{0.42}\text{Mn}_{0.11}\text{Fe}_{2.00}\text{O}_{03.985}$  and in table 3 for the composition  $\text{Ni}_{0.16}\text{Li}_{0.24}\text{Zn}_{0.42}\text{Mn}_{0.10}\text{Fe}_{2.08}\text{O}_{03.985}$ . These tables show again that the loss factor of these cores is relatively small if the average grain size of the cores is less than about 4.2 microns.

TABLE 2

	d	V( $10^{-6}$ )
10	1.05	110
	1.87	88
	2.04	96
	2.31	87
	2.55	91
15	2.67	95
	2.83	105
	3.15	302
	3.43	463
20	4.20	480
	5.21	507

TABLE 3

	d	V( $10^{-6}$ )
25	1.46	122
	1.97	120
	2.45	115
	2.65	110
	2.87	132
	3.21	320
	3.93	480
30	4.28	528
	6.34	535

Fig. 3 shows a schematic diagram of a transformer of the "switched mode power supply" type, in which the transformer core in accordance with the invention can be advantageously used. The input mains voltage (50 Hz) is first rectified with a rectifier (21) and smoothed with a capacitor (22). The DC voltage thus formed is converted by means of a  
5 rectifier (23), represented herein as a switching transistor, at very high frequencies (2 to 20 MHz) into a square wave B. This square wave is applied to the primary winding (24) of the transformer core (25). Said transformer core is made from a sintered Li(Ni)Zn ferrite material the majority of the grains of which have a monodomain structure. The transformed square wave signal formed on the secondary winding (26) of the transformer core (25) is  
10 subsequently rectified with a rectifier (27) and smoothed with a capacitor (28). As a result, a DC voltage of the desired value is obtained.

The transformer cores in accordance with the invention can of course also be used in other types of transformers, such as transformers of the resonant type. In said transformers, the AC voltage B does not so much have a square wave characteristic as a  
15 sinusoidal wave characteristic. However, the effect of the invention is obtained, in particular, if these transformers are operated at high frequencies and high inductions, *i.e.* particularly in "power" applications.

Fig. 4 shows an induction lamp comprising an electrodeless low-pressure discharge lamp 20 and a power-supply device 50. Lamp 20 comprises a discharge vessel 30  
20 which encloses a discharge space 31 containing an ionizable filler in a gastight manner. In this case, the discharge space 31 comprises mercury and argon. An internal surface 32 of the discharge vessel 30 is provided with a layer 33 of a luminescent material. In another embodiment, such a layer is absent and the filler comprises sodium. The discharge vessel 30 is secured to a synthetic resin support 34. The lamp 20 further comprises a coil 40 which is  
25 formed by a sintered core 41 of a polycrystalline ferrite material having a winding 42. The core is made from an Li(Ni)Zn ferrite material the majority of the grains of which are monodomain. In the present case, the average grain size was 2.61 micrometers. The core may be, for example, ring-shaped.

In the embodiment shown, the core 41 is in the form of a hollow cylinder  
30 having a length of 50 mm and an inner diameter of 8 mm and an outer diameter of 12 mm. The hollow of the cylindrical core 41 accommodates a heat pipe which is thermally coupled to a metal disc (not shown) incorporated in the support. The coil 40 is situated outside the discharge space 31, in an indentation 35 of the discharge vessel 30. The coil may alternatively be arranged in the discharge space. In operation, the coil is used to induce a

high-frequency electromagnetic field in the discharge space 31 which maintains a discharge.

The winding 42 of the coil 40 comprises 20 turns 43. The coil also has a further winding 44 which also comprises 20 turns. The further winding 44 has the same direction of winding as the winding 42 and engages the winding 42 over its entire length.

5 The winding 42 is connected at its ends to, respectively, a first and a second output terminal 54, 55 of a power-supply device 50 via a first and a second power-supply conductor 51, 52 which form, over a part of their length, respectively, a core and a cladding of a coaxial cable 53. During nominal operation, the first output terminal 54 of the supply source 50 provides a supply voltage having a frequency of approximately 3 MHz. The second output terminal 55  
10 is free of high-frequency voltage variations. Such a power-supply device is known from US 4.748.383. The power-supply device 50 is connected to poles P and N of the mains.

The further winding 44 is also connected at one end to the second power-supply conductor 52. Said end is located opposite the end of the winding 42 which is connected to the power-supply conductor 52. The other end of said further winding 44 is  
15 free.

In the above-described induction lamp the losses caused by heating of the core are substantially reduced. Said reduction is ascribed to the use of a sintered core of Li(Ni)Zn ferrite material, the grains of said sintered material being monodomain.

The present invention demonstrates that sintered moulding of Li(Ni)Zn-  
20 ferrite material shows a surprising low loss factor V and relatively low total losses P if the majority of the grains of the sintered material have a monodomain structure. This effect is obtained if average grain sizes of 4.2 micrometer or less are used. Sintered moulding of this type can be advantageously applied as transformer core or inductor core.

**CLAIMS:**

1. A sintered moulding made from Li(Ni)Zn ferrite material, characterized in that the majority of the grains of the sintered material have a monodomain structure.
2. A sintered moulding as claimed in Claim 1, characterized in that the average grain size of the material is 4.2 microns or less.
- 5 3. A sintered moulding as claimed in Claim 2, characterized in that the ferrite material comprises 59-65 mol% Fe<sub>2</sub>O<sub>3</sub>, 7-11 mol% Li<sub>2</sub>CO<sub>3</sub>, 4-8 mol% MnO and 20-28 mol% ZnO.
4. The use of a sintered moulding, as claimed in any one of the preceding Claims, as a transformer core.
- 10 5. A transformer having a transformer core, which comprises a primary and a secondary winding, said transformer also including a high-frequency switch for converting a DC voltage on the primary winding to an AC voltage, characterized in that a transformer core of sintered Li(Ni)Zn ferrite material as claimed in Claim 4 is used.
6. The use of a sintered moulding, as claimed in any one of Claims 1-3, as  
15 an inductor core.
7. An induction lamp comprising a power-supply device, a discharge vessel, which encloses a discharge space filled with an ionizable gas, as well as a sintered inductor core having a winding which is connected to the power-supply device, characterized in that an inductor core of sintered Li(Ni)Zn ferrite material, as claimed in Claim 6, is used.

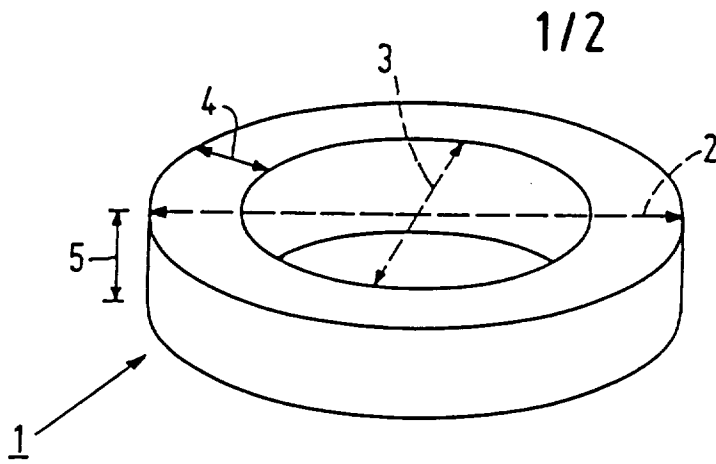


FIG. 1

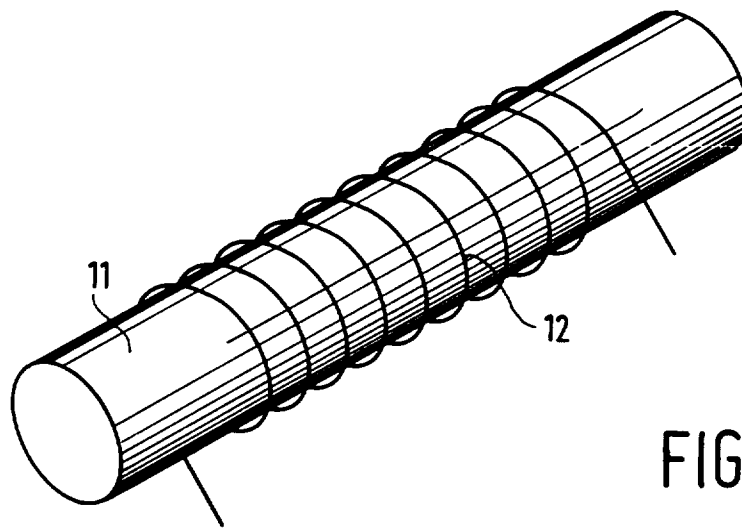


FIG. 2

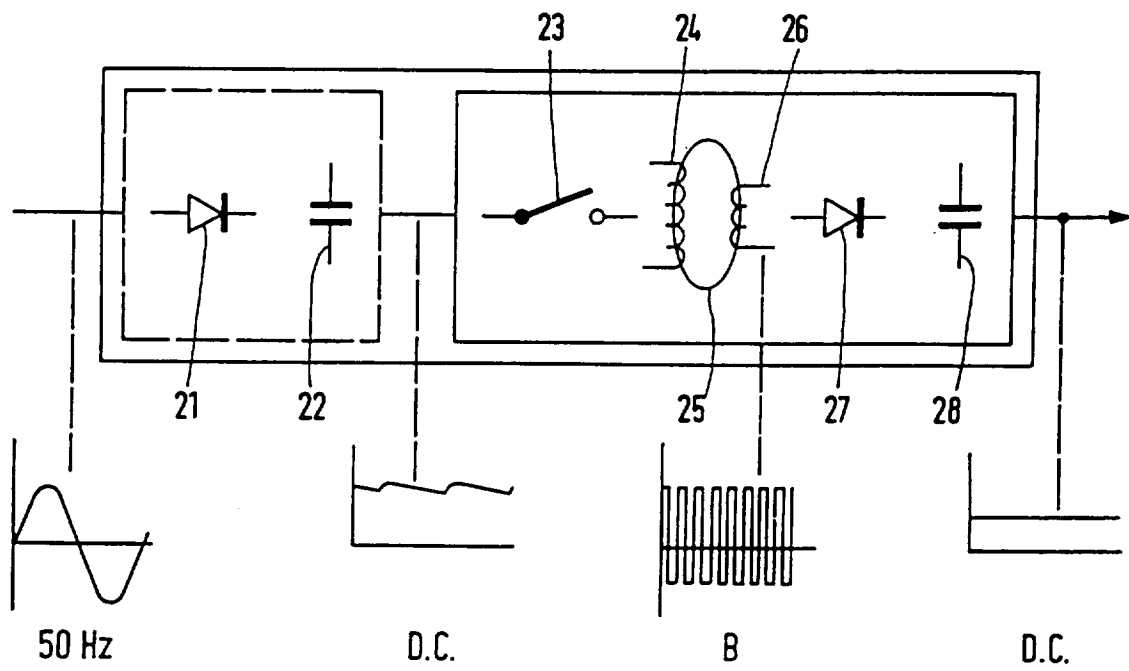
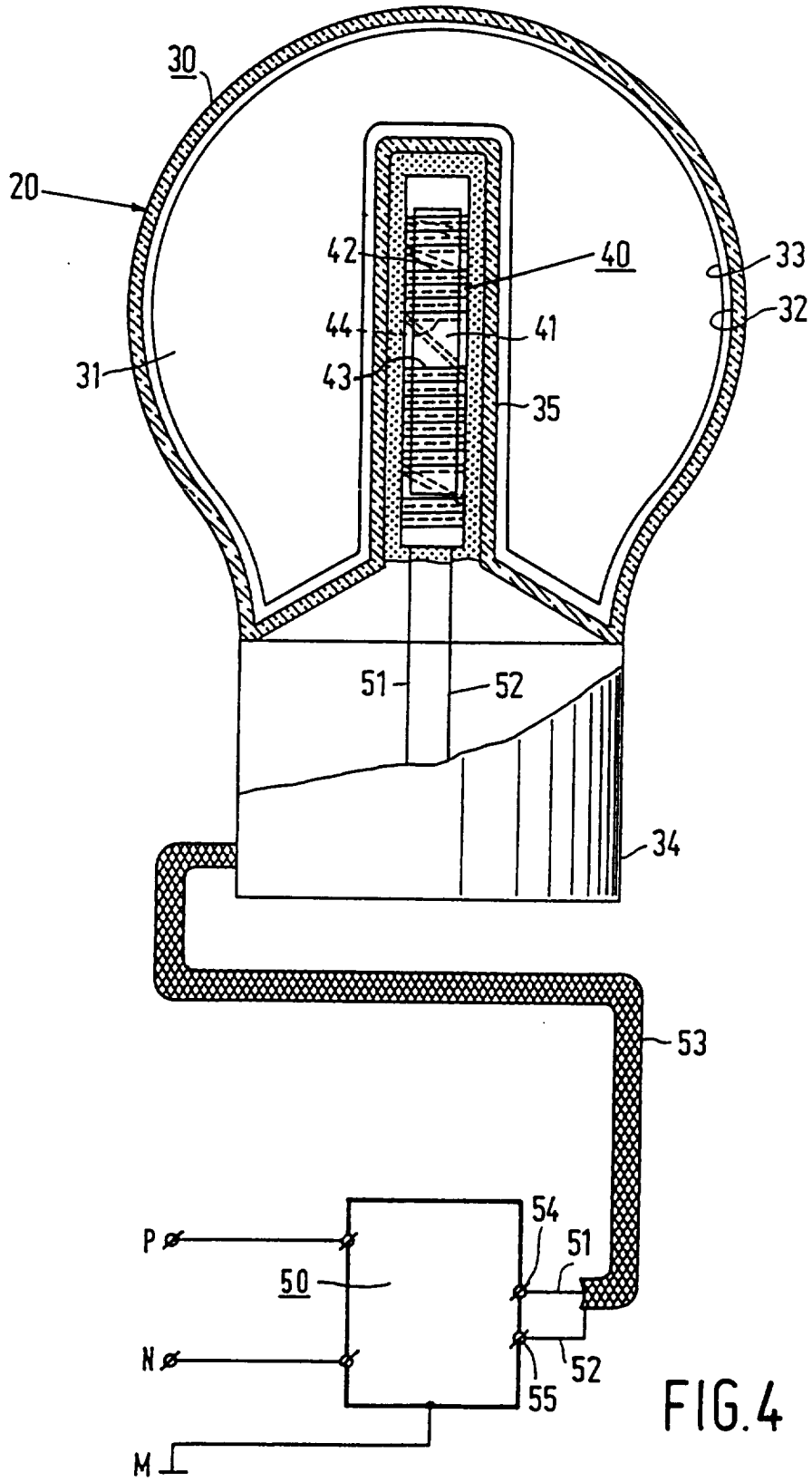


FIG. 3

2/2



## INTERNATIONAL SEARCH REPORT

International application No.

PCT/IB 95/00732

## A. CLASSIFICATION OF SUBJECT MATTER

IPC6: C04B 35/26, H01F 1/34

According to International Patent Classification (IPC) or to both national classification and IPC

## B. FIELDS SEARCHED

Minimum documentation searched (classification system followed by classification symbols)

IPC6: C04B, H01F

Documentation searched other than minimum documentation to the extent that such documents are included in the fields searched

Electronic data base consulted during the international search (name of data base and, where practicable, search terms used)

## WPI, CLAIMS

## C. DOCUMENTS CONSIDERED TO BE RELEVANT

Category*	Citation of document, with indication, where appropriate, of the relevant passages	Relevant to claim No.
A	US 4372865 A (BU-FAN B. YU ET AL), 8 February 1983 (08.02.83) --	1
P	EP 0624886 A1 (PHILIPS ELECTRONICS N.V.), 17 November 1994 (17.11.94) --	1
P	EP 0625794 A1 (PHILIPS ELECTRONICS N.V.), 23 November 1994 (23.11.94) -- -----	1

 Further documents are listed in the continuation of Box C. See patent family annex.

## \* Special categories of cited documents:

- "A" document defining the general state of the art which is not considered to be of particular relevance
- "E" earlier document but published on or after the international filing date
- "L" document which may throw doubts on priority claim(s) or which is cited to establish the publication date of another citation or other special reason (as specified)
- "O" document referring to an oral disclosure, use, exhibition or other means
- "P" document published prior to the international filing date but later than the priority date claimed

"T" later document published after the international filing date or priority date and not in conflict with the application but cited to understand the principle or theory underlying the invention

"X" document of particular relevance: the claimed invention cannot be considered novel or cannot be considered to involve an inventive step when the document is taken alone

"Y" document of particular relevance: the claimed invention cannot be considered to involve an inventive step when the document is combined with one or more other such documents, such combination being obvious to a person skilled in the art

"&" document member of the same patent family

Date of the actual completion of the international search

12 February 1996

Date of mailing of the international search report

16 -02- 1996

Name and mailing address of the ISA/  
Swedish Patent Office  
Box 5055, S-102 42 STOCKHOLM  
Facsimile No. +46 8 666 02 86

Authorized officer

Magnus Westöö  
Telephone No. +46 8 782 25 00

**INTERNATIONAL SEARCH REPORT**  
Information on patent family members

05/01/96

International application No.  
PCT/IB 95/00732

Patent document cited in search report	Publication date	Patent family member(s)	Publication date
US-A- 4372865	08/02/83	NONE	
EP-A1- 0624886	17/11/94	NONE	
EP-A1- 0625794	23/11/94	NONE	