

University of Groningen

Adversarial Reinforcement Learning in a Cyber Security Simulation}

Elderman, Richard; Pater, Leon; Thie, Albert; Drugan, Madalina; Wiering, Marco

Published in:

International Conference on Agents and Artificial Intelligence (ICAART)

IMPORTANT NOTE: You are advised to consult the publisher's version (publisher's PDF) if you wish to cite from it. Please check the document version below.

Document Version

Final author's version (accepted by publisher, after peer review)

Publication date:

2017

[Link to publication in University of Groningen/UMCG research database](#)

Citation for published version (APA):

Elderman, R., Pater, L., Thie, A., Drugan, M., & Wiering, M. (2017). Adversarial Reinforcement Learning in a Cyber Security Simulation}. In *International Conference on Agents and Artificial Intelligence (ICAART)*

Copyright

Other than for strictly personal use, it is not permitted to download or to forward/distribute the text or part of it without the consent of the author(s) and/or copyright holder(s), unless the work is under an open content license (like Creative Commons).

The publication may also be distributed here under the terms of Article 25fa of the Dutch Copyright Act, indicated by the "Taverne" license. More information can be found on the University of Groningen website: <https://www.rug.nl/library/open-access/self-archiving-pure/taverne-amendment>.

Take-down policy

If you believe that this document breaches copyright please contact us providing details, and we will remove access to the work immediately and investigate your claim.

Downloaded from the University of Groningen/UMCG research database (Pure): <http://www.rug.nl/research/portal>. For technical reasons the number of authors shown on this cover page is limited to 10 maximum.

Adversarial Reinforcement Learning in a Cyber Security Simulation

Richard Elderman¹, Leon J.J. Pater¹, Albert S. Thie¹, Madalina M. Drugan² and Marco A. Wiering¹

¹*Institute of Artificial Intelligence and Cognitive Engineering, University of Groningen*

²*Mathematics and Computer Science Department, Technical University of Eindhoven*
{r.elderman,l.j.j.pater,a.s.thie}@student.rug.nl, m.m.drugan@tue.nl, m.a.wiering@rug.nl

Keywords: Reinforcement learning, Adversarial setting, Markov games, Cyber security in networks

Abstract: This paper focuses on cyber-security simulations in networks modeled as a Markov game with incomplete information and stochastic elements. The resulting game is an adversarial sequential decision making problem played with two agents, the attacker and defender. The two agents pit one reinforcement learning technique, like neural networks, Monte Carlo learning and Q-learning, against each other and examine their effectiveness against learning opponents. The results showed that Monte Carlo learning with the Softmax exploration strategy is most effective in performing the defender role and also for learning attacking strategies.

1 INTRODUCTION

In an ever changing world, providing security to individuals and institutions is a complex task. Not only is there a wide diversity of threats and possible attackers, many avenues of attack exist in any target ranging from a web-site to be hacked to a stadium to be attacked during a major event. The detection of an attack is an important aspect. The authors in (Sharma et al., 2011) showed that 62% of the incidents in the study were detected only after attacks have already damaged the system. Recognizing attacks is therefore crucial for improving the system. The balance between prevention and detection is a delicate one, which brings unique hurdles with it. Our aim is to evaluate the effectiveness of reinforcement learning in a newly developed cyber security simulation with stochastic elements and incomplete information.

Related work. Markov games (Littman, 1994) are played between two adversarial agents with a min-max version of the popular Q-learning algorithm. Adversarial reinforcement learning (Uther and Veloso, 2003) has been used for playing soccer with two players using a Q-learning variant. In his book (Tambe, 2011), Tambe describes a variety of methods to best use limited resources in security scenarios. Some problems mentioned in that book are: 1) Addressing the uncertainty that may arise because of an adversary's inability to conduct detailed surveillance, and 2) Addressing the defender's uncertainty about attackers payoffs. In this paper, we will address these problems.

A novel cyber-security game for networks.

Consider a network consisting of nodes representing a server or network connected with each other. The attacker attempts to find a way through a network consisting of various locations, to reach and penetrate the location containing the important asset. The defender can prevent this by either protecting certain avenues of attack by raising its defense or choosing to improve the capability of the location to detect an attack in progress. The attacker executes previously successful strategies, and in the same time adapts to the defender's strategies. The environment resembles a dynamic network that is constantly changing at the end of a game due to the opponent's behavior.

Adversarial reinforcement learning agents. In our setting, a number of reinforcement learning algorithms (Sutton and Barto, 1998; Wiering and van Otterlo, 2012) are pitted against each other as the defender and attacker in a simulation of an adversarial game with partially observable states and incomplete information. Reinforcement learning techniques for the attacker that are used are Monte Carlo learning with some exploration strategies: ϵ -greedy, Softmax, Upper Confidence Bound 1 (Auer et al., 2002), and Discounted Upper Confidence Bound (Garivier and Moulines, 2008), and backward Q-learning with ϵ -greedy exploration (Wang et al., 2013). The defender uses the same algorithms and two different neural networks with back-propagation as extra algorithms.

As the attacker becomes more successful in successive games, the defender creates new situations for the attacker. The same holds true the other way

around. This process becomes more complicated by the fact that in the beginning the attacker has no knowledge of the network. The attacker can only gain access to knowledge about the network by penetrating the defenses. The defender in turn does know the internal network, but not the position or type of attack of the attacker. Adapting different strategies to unobservable opponents is crucial in dealing with the realities of cyber attacks (Chung et al., 2016).

Outline In Section 2 the cyber security game is described and explained. In Section 3 the used reinforcement learning techniques and algorithms are described. Section 4 explains the experimental setup, and Section 5 presents the experimental results for the simulations and discusses these results. Finally, in Section 6 the main findings are summarized.

2 CYBER SECURITY GAME

In cyber security in the real world, one server with valuable data gets attacked by many hackers at the same time, depending on the value of the data content. It is also often the case that one network contains more than one location with valuable data. However, in the simulation made for this study, only one attacker and one defender play against each other, while there is only one asset. This is chosen for the sake of little complexity of the "world", such that agents do not have to learn very long before they become aware of any good strategy.

2.1 Network

In the simulation the attacker and defender play on a network representing a part of the internet. The network consists of nodes, which are higher abstractions of servers in a cyber network, such as login servers, data servers, internet servers, etc. Nodes can be connected with each other, which represents a digital path: it is possible to go from one server to another one, only if they are (in)directly connected. Every connection is symmetric. In the network there are three types of nodes:

1. The starting node, *START*, is the node in which the attacker is at the beginning of each game. It has no asset value. It can be seen as the attacker's personal computer.
2. Intermediate nodes. These are nodes without asset values, in between the start node and the end node. They must be hacked by the attacker in order to reach the end node.

3. The end node, *DATA*, is the node in the network containing the asset. If the attacker successfully attacks this node, the game is over and the attacker has won the game.

An attacker node is defined as $n(a_1, a_2, \dots, a_{10})$, where each a is the attack value of an attack type on the node. A node for the defender is defined as $n(d_1, d_2, \dots, d_{10}, det)$ where each d is the defense value of an attack type on the node and det is the detection value on the node. Each node consists of 10 different attack values, 10 different defense values, and a detection value. Each value in a node has a maximal value of 10.

Even the standard network of 4 nodes, see Figure 1, creates a huge number of possible environmental states. The attack and defense values are paired, each pair represents the attack strength and security level of a particular hacking strategy. The detection value represents the strength of detection, which represents the chance that, after a successfully blocked attack, the hacker can be detected and caught. The environmental state of the network can be summarized as a combination of the attack values, defense values and detection value of each node. Both the attacker and defender agents have internal states representing parts of the entire environmental state, on which they base their actions.

The game is a stochastic game due to the detection-chance variable. When an attack on a node fails (which is very likely), a chance equal to the detection parameter determines if the attacker gets caught. This resembles a real-life scenario because attacks can remain unnoticed, and the chance that an attack is unnoticed decreases if there is more detection.

2.2 Agents

In the simulation there are two agents, one defender agent and one attacker agent. Each agent has limited access to the network, just like in the real world, and it has only influence on its side of the values in the nodes (security levels or attack strengths). Both agents have the goal to win as many games as possible.

The Attacker has the goal of hacking the network and get the asset in the network. An attacker wins the game when it has successfully attacked the node in the network in which the asset is stored. For every node n that is accessible by the attacker, only the values for the attack strengths are known by the attacker, a_1, \dots, a_{10} . The attacker has access to the node it is currently in, and knows the nodes directly accessible from that server. With a particular attacker action, the attack value of the attacked node n from node m and

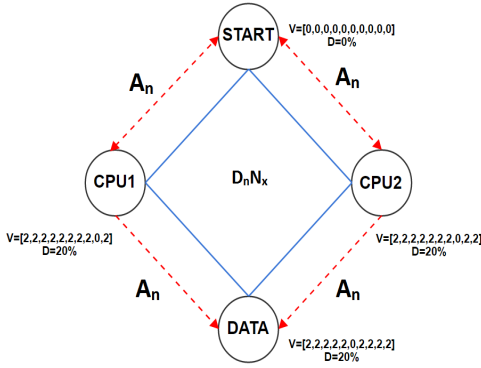


Figure 1: The game from the Attacker’s and Defender’s perspective. Arrows indicate possible attacks A with attack type n from the current node. All initial attack values are equal to zero. The attacker starts at the start-node. For the defender, the V values indicate the initial defense values. D stands for the initial detection-chance if an attack fails.

a specific attack type a_i is incremented by one. Per game step, an attacker is allowed to attack only one of the accessible nodes, for which the value is not already the maximal value.

The Defender has the goal to detect the attack agent before it has taken the asset in the network. We assume that the defender has access to every node in the network, and that the defender only knows the defend and detection values on each node, but not the attack values. Per game step, the defender is allowed to increment one detection value on one node in the network or to increase the defend values of an attack type in a node. By incrementing a defend value, it becomes harder for the attacker to hack the node using a specific attack type. By incrementing the detection value, the chance that an unsuccessful attack is detected becomes higher.

2.3 Standard Network

In our simulations, the agents play on the standard network, consisting of four nodes connected with each other in a diamond shape. The starting node, $START$, is connected with two intermediate nodes, which are both connected with the end node (see Figure 1).

All attack and defense values on the start node are initially zero: both agents need to learn that putting effort in this node has no positive effect on their win rate, since the attacker cannot take the asset here and the defender therefore does not need to defend this node. By design, both intermediate nodes have a major security flaw represented by one attack type having an initial security level of zero, leaving the attacker two best actions from the start node. The end

node, $DATA$, contains data. This node containing the asset has a similar security flaw as well giving the attacker an easy path towards its goal. The defender must identify this path and fix the security flaws by investing in the security level of the attack type with initially low security on the node.

2.4 Game Procedure

When starting each game, the attacker is in the start node. The values in all the nodes are initialized as shown in Table 1. Each game step, both agents choose an action from their set of possible actions. The actions are performed in the network, and the outcome is determined. The node on which the attack value of an attack type was incremented determines if the attack was successful. If the attack value for the attack type is higher than the defend value for that attack type, then the attack overpowers the defense and the attack was successful. In this case, the attacker moves to the attacked node. When this node is the end node, the game ends and the attacker wins. When the attack value of the attack type is lower than or equal to the defense value, the attack is blocked. In this case, the attack is detected with some probability given by the detection value, a number between 0 and 10, of the node that was attacked. The chance to be detected is (detection value * 10)%. If the attack was indeed detected, the game ends and the defender wins. If the attack was not detected, another game step is played.

At the end of each game, the winner gets a reward with the value 100, and the loser gets a reward with the value -100. One agent’s gain is equivalent to another’s loss, and therefore this game is a zero-sum game (Neumann and Morgenstern, 2007).

An example game. An example game on the standard network is shown in Table 1. In game step 1 the attacker attacks the gap in one of the intermediate nodes, while the defender fixes the flaw in the other node. The attacker now moves to the attacked intermediate node. Then the attacker attacks the security flaw in the end node, while the defender increments the same value as in the previous game step. Now the attacker moves to the end node and has won the game. The agents update the Q-values of the state-action pairs played in the game, and a new game will be started. A game on the standard network lasts at least 1 time step, and at most 400 time steps.

3 REINFORCEMENT LEARNING

The agents in the simulation need to learn to optimize their behavior, such that they win as many

Table 1: An example game showing the attacker moving to CPU2 and subsequently to the DATA node. The defender performs two defense actions in CPU1. Therefore, in this example game the attacker wins after two moves.

Gamestep	Action Attacker	Action Defender	Node	Attack Values	Defense Values
0	-	-	START CPU1 CPU2 DATA	[0, 0, 0, 0, 0, 0, 0, 0, 0, 0] [0, 0, 0, 0, 0, 0, 0, 0, 0, 0] [0, 0, 0, 0, 0, 0, 0, 0, 0, 0] [0, 0, 0, 0, 0, 0, 0, 0, 0, 0]	[0, 0, 0, 0, 0, 0, 0, 0, 0, 0] [0, 2, 2, 2, 2, 2, 2, 2, 2, 2] [2, 0, 2, 2, 2, 2, 2, 2, 2, 2] [2, 2, 0, 2, 2, 2, 2, 2, 2, 2]
1	CPU2, Attack Type 2	CPU1, Defense Type 1	START CPU1 CPU2 DATA	[0, 0, 0, 0, 0, 0, 0, 0, 0, 0] [0, 0, 0, 0, 0, 0, 0, 0, 0, 0] [0, 1, 0, 0, 0, 0, 0, 0, 0, 0] [0, 0, 0, 0, 0, 0, 0, 0, 0, 0]	[0, 0, 0, 0, 0, 0, 0, 0, 0, 0] [1, 2, 2, 2, 2, 2, 2, 2, 2, 2] [2, 0, 2, 2, 2, 2, 2, 2, 2, 2] [2, 2, 0, 2, 2, 2, 2, 2, 2, 2]
2	DATA, Attack Type 3	CPU1, Defense Type 1	START CPU1 CPU2 DATA	[0, 0, 0, 0, 0, 0, 0, 0, 0, 0] [0, 0, 0, 0, 0, 0, 0, 0, 0, 0] [0, 1, 0, 0, 0, 0, 0, 0, 0, 0] [0, 0, 1, 0, 0, 0, 0, 0, 0, 0]	[0, 0, 0, 0, 0, 0, 0, 0, 0, 0] [2, 2, 2, 2, 2, 2, 2, 2, 2, 2] [2, 0, 2, 2, 2, 2, 2, 2, 2, 2] [2, 2, 0, 2, 2, 2, 2, 2, 2, 2]

games as possible. In each game step, an agent needs to choose an action out of a set of possible actions. Agents base their decision on the current state of the network. States are defined differently for both agents, because the complete state of the network is partially observable for both agents, and they have access to different kinds of information about the network. The agents also have different actions to choose from.

The attacker. States are defined as $s(n)$, where n is the node the agent is currently in. An action is defined as $A(n', a)$, where n' is one of the neighbouring nodes of node n that is chosen to be attacked and a an attack type as before. In each state, the number of possible actions is $10 * \text{the number of neighbours of } n \text{ minus the actions that increment any attack value that is already maximum (has the value 10)}$.

The defender. For a defender agent, the state is defined as $s(n_1, n_2, \dots, n_i)$, where each n_i is the i -th node in the network. An action for a defender is defined as $A(n, a)$, where n is the node in the network that is chosen to invest in, and $a \in d_1, d_2, \dots, d_{10}$, *det* the defend values and detection value. In each state, the number of possible actions is $11 * \text{the number of nodes minus the actions that increment the defense value of an attack type or detection value that is already maximum (has the value 10)}$.

The Monte-Carlo and Q-learning agents do not have an internal state representation, but they base their actions on previous success, regardless of the environmental state. The neural and linear networks use the entire observable environmental state as an input.

3.1 Monte Carlo Learning

In the first reinforcement learning technique, agents learn using Monte Carlo learning (Sutton and Barto, 1998). The agents have a table with possible state-action pairs, along with estimated reward values.

After each game the agents update the estimated reward values of the state-action pairs that were selected during the game. Monte Carlo learning updates each state the agent visited with the same reward value, using:

$$Q_{t+1}(s, a) = Q_t(s, a) + \alpha * (R - Q_t(s, a))$$

where α is the learning rate which is a parameter ranging from 0 to 1 that represents how much the agent should learn from a new observation. R is the reward obtained at the end of each game. The Q -values are the estimated reward values. They represent how much the agent expects to get after performing an action. The s is the current state of the world, for the attacker the node it currently is in and for the defender it is empty: the state s has always the value 0. The a is a possible action to do in that state (see also the start of this section). For the defender the state s used in the learning algorithm has always the value 0, because using a tabular approach it is unfeasible to store all possible states. Although the state value is 0, the environmental state determines which actions can be selected. The attacker has information of the node it currently is in, and this forms the state.

A reinforcement learning agent has the dilemma between choosing the action that is considered best (exploitation) and choosing some other action, to see if that action is better (exploration). For Monte Carlo learning, four different exploration algorithms are implemented that try to deal with this problem in the cyber security game. The four algorithms are ϵ -greedy, Softmax, Upper Confidence Bound 1 (Auer et al., 2002), and Discounted Upper Confidence Bound (Garivier and Moulines, 2008), which we will now shortly describe.

ϵ -greedy strategy. The first method is the ϵ -greedy exploration strategy. This strategy selects the best action with probability $1 - \epsilon$, and in the other cases it selects a random action out of the set of possible actions. ϵ is here a value between 0 and 1, deter-

mining the amount of exploration.

Softmax. The second exploration strategy is Softmax. This strategy gives every action in the set of possible actions a chance to be chosen, based on the estimated reward value of the action. Actions with higher values will have a bigger chance to be chosen. A Boltzmann distribution is used in this algorithm to calculate the action-selection probabilities:

$$P_t(a) = \frac{e^{\frac{Q_t(s,a)}{\tau}}}{\sum_{i=1}^K e^{\frac{Q_t(s,i)}{\tau}}}$$

where $P_t(a)$ is the chance that action a will be chosen. K is the total number of possible actions. τ is the temperature parameter, which indicates the amount of exploration.

UCB-1. The third exploration strategy is called Upper Confidence Bound 1 (UCB-1) (Auer et al., 2002). This algorithm bases its action selection on the estimated reward values and on the number of previous tries of the action. The less an action is tried before, the higher the exploration bonus that is added to that value for the action selection. At the start of the simulation, actions will be chosen that have not been tried before. After no such actions are left, the action will be chosen that maximizes $V_t(a)$, computed by:

$$V_t(a) = Q_t(s,a) + \sqrt{\frac{c * \ln n}{n(a)}}$$

where $n(a)$ is the number of previous tries of action a over all previously played games in the simulation. n is the total number of previous tries for all actions currently available over all previously played games in the simulation. c is the exploration rate.

Discounted UCB. The last exploration strategy is called Discounted Upper Confidence Bound (Discounted UCB), and is a modification of the UCB-1 algorithm (Garivier and Moulines, 2008). It is based on the same idea, but more recent previous tries have more influence on the value than tries longer ago. This algorithm was proposed as an improvement of the UCB-1 algorithm when used in a non-stationary environment like the simulation in this study.

Like in UCB-1, at the start of the simulation actions will be chosen that have not been tried before, and after no such actions are left the action will be chosen that maximizes $V_t(a)$, computed by:

$$V_t(a) = Q_t(s,a) + 2B \sqrt{\frac{\xi \log n_t(\gamma)}{N_t(\gamma,a)}}$$

B is the maximal reward that can be obtained in a game. ξ is the exploration rate. $n_t(\gamma)$ is defined as:

$$n_t(\gamma) = \sum_{i=1}^K N_t(\gamma,i)$$

K is the number of possible actions in time step t . $N_t(\gamma,i)$ is defined as:

$$N_t(\gamma,i) = \sum_{s=1}^t \gamma^{t-s} \mathbb{1}_{\{a_s=i\}}$$

$\mathbb{1}_{\{a_s=i\}}$ is the condition that the value for time step s must only be added to the sum if action i was performed in time step s . γ is the discount factor that determines the influence of previous tries on the exploration term.

3.2 Q-Learning

Q-learning is a model-free reinforcement learning technique. In (Watkins and Dayan, 1992) it was proved that Q-learning converges to an optimal policy for a finite set of states and actions for a single agent. The Backward Q-learning algorithm (Wang et al., 2013) is used here to train the attacker and defender agents. We combined the (Backward) Q-learning algorithm only with the ϵ -greedy exploration strategy. The 'backward' here signifies that the update starts at the last visited state, and from thereon updates each previous action until the first. The backward Q-learning algorithm can enhance learning speed and improve final performance over the normal Q-learning algorithm.

The last action brings the agent in a goal state, and therefore it has no future states. Hence the last state-action pair is updated as follows:

$$Q_{t+1}(s,a) = Q_t(s,a) + \alpha * (R - Q_t(s,a))$$

For every other state-action pair but the last one the learning update is given by:

$$Q_{t+1}(s,a) = Q_t(s,a) + \alpha * (\gamma \max_b Q_t(s',b) - Q_t(s,a))$$

Normally the reward is also a part of the second formula, but it is omitted here for the reason that only the last state-action pair gets an immediate reward. γ is the discount parameter. $\gamma \in [0, 1]$ and serves to find a balance between future and current rewards.

3.3 Neural Network

The neural network (multi-layer perceptron) is only implemented for the defender agent and not for the attacker. Compared to the tabular approaches, the neural network has the advantage that it can use input units denoting the observable environmental state.

The neural network uses stochastic gradient descent back-propagation to train its weights. It uses an input neuron for each defense or detection value in the network and an output neuron for each possible action. In the hidden layer the sigmoid activation

Table 2: Parameter settings for the attacker agent that result in the highest win score against the optimized ϵ -greedy defender (except for the ϵ -greedy attacker which is optimized against a defender with random action selection)

Learning technique	Learning Rate	Parameter(s)
Discounted UCB	$\alpha = 0.05$	$\xi = 6, \gamma = 0.6$
ϵ -greedy	$\alpha = 0.05$	$\epsilon = 0.05$
Q-learning	$\alpha = 0.1$	$\gamma = 1.0, \epsilon = 0.04$
Softmax	$\alpha = 0.05$	$\tau = 5$
UCB-1	$\alpha = 0.05$	$c = 4$

function is used. Rewards for the neural network are calculated after each game as the Monte Carlo algorithm with rewards normalized to 1 for winning and -1 for losing, using only the selected action (output neuron) per game step as the basis for the stochastic gradient descent algorithm. Training is done by way of experience replay (Lin, 1993), using the last n games t times for updating the network.

In total, there are 44 input and output neurons. Preliminary testing showed that 6 neurons in the hidden layer connected to the 44 input and output neurons provided the best results, using experience replay parameters $n = 10$ and $t = 2$. The 44 output neurons represent each of the 44 moves available to the defender at any game step. The highest activation value amongst the output nodes of the network represents the defensive action that is taken.

3.4 Linear Network

The linear network follows the same approach as well, but has no hidden layer. It therefore directly calculates its output based on an input layer of 44 nodes, again representing each of the defense and detection values in the network, with weighted connections to the output layer. Each of the outputs represents a possible move in the game. Experience replay did not show to significantly increase the result of the Linear network, so it is not used in the experiments. The output with the highest activation is selected as the move to be played.

4 EXPERIMENTAL SETUP

To test the performance of the different reinforcement learning techniques, simulations are run in which the attacker and defender agent play the game with different techniques. The attacker plays with six different techniques: random action selection, four different Monte Carlo learning techniques and Q-learning, while the defender plays with eight different techniques, the six from the attacker and the

Table 3: Parameter settings for the defender agent that result in the highest win score against the optimized ϵ -greedy attacker (except for the ϵ -greedy defender which is optimized against an attacker with random action selection)

Learning technique	Learning Rate	Parameter(s)
Discounted UCB	$\alpha = 0.05$	$\xi = 4, \gamma = 0.6$
ϵ -greedy	$\alpha = 0.05$	$\epsilon = 0.1$
Linear Network	$\alpha = 0.1$	-
Neural Network	$\alpha = 0.01$	$hiddenneurons = 6, n = 10, t = 2$
Q-learning	$\alpha = 0.05$	$\gamma = 0.91, \epsilon = 0.07$
Softmax	$\alpha = 0.05$	$\tau = 4$
UCB-1	$\alpha = 0.05$	$c = 5$

two neural networks.

Every technique is optimized for both agents, by changing the learning rate and its own parameter(s). The Monte Carlo learning technique with ϵ -greedy exploration is for both agents taken as a basis, this technique is optimized against an opponent with random action selection. All other learning techniques are optimized against an opponent using this optimized technique. For every parameter setting 10 runs of 20000 games are simulated, and the one with the highest total average win score is selected as the optimal parameter setting. The optimal parameter settings can be seen in Tables 2 and 3.

5 RESULTS

The obtained results can be seen in Table 4, which displays the average win score over the full 10 simulations of 20000 games. The average scores come along with their standard deviations. Each win score is a value between -1 and 1, -1 indicates the attacker has won everything, 1 means the defender did always win. In the bottom row and rightmost column, the best attacker(A)/defender(D) for that column/row is displayed.

From the "average" row and column in the table, which shows the average score against all opponents, it can be concluded that for both agents there is not a single algorithm that always performs best. Softmax is a good learning algorithm for the defender, against all opponents it is, if not the best, among the best performing defenders, but ϵ -greedy, UCB-1, and Q-learning are also doing pretty well. For the attacker all different exploration strategies used for Monte Carlo learning show good results, with Softmax having a slight lead over the others.

When we take a look at the individual results of the algorithms from the attacker's perspective, it turns out that the algorithm with random action selection is by far the worst performing algorithm, with an average win score of 0.93, which means it only wins about 3 percent of the games. The second worst attacker's

Table 4: Average score of 10 complete simulations of 20000 games for each strategy pair along with the standard deviation. DUC = discounted UCB, GRE = ϵ -greedy, LN = linear network, NN = neural network, QL = Q-learning, RND = Random, SFT = Softmax, UCB = UCB-1. The average row/column shows the total average score for each attacker/defender strategy against all opponents.

D ↓ A →	DUC	GRE	QL	RND	SFT	UCB	average	BEST A
DUC	-0.26 ± 0.14	-0.26 ± 0.08	-0.14 ± 0.11	0.93 ± 0.02	-0.42 ± 0.13	-0.26 ± 0.09	-0.07 ± 0.46	SFT
GRE	-0.13 ± 0.05	-0.15 ± 0.03	0.08 ± 0.07	0.97 ± 0.004	-0.19 ± 0.03	-0.15 ± 0.05	0.07 ± 0.41	SFT
LN	-0.95 ± 0.03	-0.87 ± 0.04	0.07 ± 0.66	0.93 ± 0.008	-0.94 ± 0.04	-0.95 ± 0.02	-0.45 ± 0.77	DUC/UCB
NN	-0.41 ± 0.17	-0.43 ± 0.24	-0.44 ± 0.18	0.93 ± 0.02	-0.41 ± 0.19	-0.32 ± 0.05	-0.18 ± 0.53	QL
QL	-0.15 ± 0.04	-0.16 ± 0.01	0.25 ± 0.05	0.94 ± 0.005	-0.19 ± 0.02	-0.13 ± 0.02	0.09 ± 0.41	SFT
RND	-0.96 ± 0.01	-0.91 ± 0.02	-0.91 ± 0.004	0.92 ± 0.002	-0.95 ± 0.05	-0.96 ± 0.007	-0.63 ± 0.69	DUC/UCB
SFT	-0.07 ± 0.08	-0.08 ± 0.05	0.35 ± 0.07	0.95 ± 0.02	-0.10 ± 0.06	-0.10 ± 0.07	0.16 ± 0.39	SFT/UCB
UCB	-0.16 ± 0.06	-0.15 ± 0.04	0.37 ± 0.17	0.89 ± 0.01	-0.19 ± 0.05	-0.17 ± 0.03	0.10 ± 0.41	SFT
average	-0.39 ± 0.35	-0.38 ± 0.33	-0.05 ± 0.48	0.93 ± 0.02	-0.43 ± 0.33	-0.38 ± 0.34	-0.11 ± 0.59	SFT
BEST D	SFT	SFT	UCB	GRE	SFT	SFT	SFT	

algorithm turns out to be Q-learning, which wins on average just more than half of its games (win score - 0.05). The remaining four Monte Carlo learning algorithms with each a different exploration strategy perform on average almost equally well, with a win score between -0.38 and -0.43.

The two worst performing algorithms for the defender agent turn out to be random action selection (average win score = -0.63) and the Linear Network (average win score = -0.45). The Neural Network performs better, with an average win score of -0.18, but it is still worse than the learning algorithms that use tabular representations. Only one of these defender algorithms has a win score less than zero, and this is, surprisingly, Monte Carlo learning with discounted UCB exploration, with an average win score of -0.07. The four best performing defender algorithms have an almost equal average win score between 0.07 and 0.16.

There is a huge initial advantage of the defender agent with respect to the attacker agent when the game is played: when both agents do not learn, the defender wins about 95% of the games. This is most likely caused by the random selection procedure of the attacker, which makes it highly unlikely that it selects a node more than once (which is required for most attack types to break through a node).

5.1 Notable Aspects of the Results

An interesting part of the results is that for the defender agent both algorithms based on neural networks perform worse than all algorithms based on tabular representations. This reflects the problem that neural networks have with adversarial learning. The network is slower in adapting to a constantly changing environment than other algorithms, therefore being consistently beaten by attackers.

Another remarkable result is that Q-learning is among the best algorithms for the defender agent,

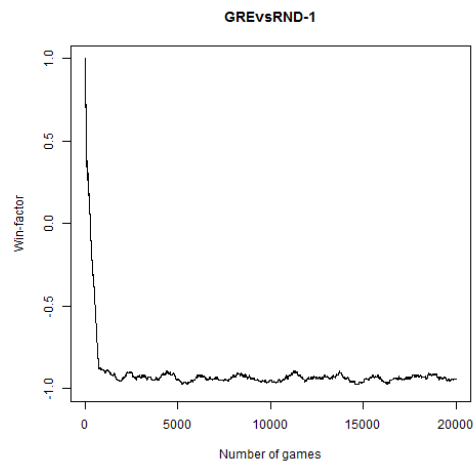


Figure 2: Plot of the running average of the win score over the previous 500 games for ϵ -Greedy against Random

while it is among the worst for the attacker agent. This is probably the case because the action-chains, or optimal policy is less clear for the attacker. Another possible explanation for the Q-learning attacker underperforming the Monte Carlo ϵ -greedy algorithm could be that Q-learning takes slightly longer to find an optimal policy. This also supports the earlier study from (Szepesvári, 1997), who found that Q-learning may suffer from a slow rate of convergence. The last-mentioned is crucial in an environment with a changing optimal policy.

A very surprising result is that the Monte Carlo algorithm with Discounted UCB exploration performs for both agents not better than the same learning algorithm with UCB-1. This seems to contradict with the argument made in (Garivier and Moulines, 2008), which states that the Discounted UCB algorithm performs better than UCB-1 in non-stationary environments like the simulation in this paper.

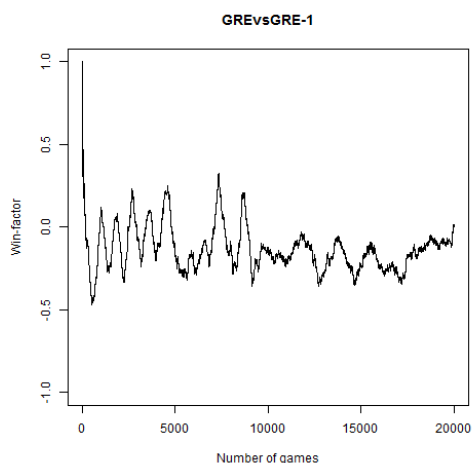


Figure 3: Plot of the running average of the win score over the previous 500 games for ϵ -Greedy against ϵ -Greedy

5.2 Visual Analysis of Simulations

To get some insight in the adversarial learning effects during a simulation, plots are made for a simulation that display the running average of the average win score over the previous 500 games in the simulation. These plots can be seen in Figures 2 and 3. Figure 2 shows that the ϵ -greedy attacker in after only a couple of hundred games manages to win almost every game against the random agent, and so it learns very fast to attack the security flaws in the network. It turns out that a simulation of any of the learning attackers against a defender with random action selection results in a similar plot as in Figure 2.

Figure 3 shows the behavior of the agents when both learn using ϵ -greedy. The win rate shows a lot of fluctuations, which means the agents try to optimize their behavior by adapting to each other, and overall the attacker optimizes slightly better than the defender, resulting in an average win rate of around -0.15. This adversarial learning behavior creates a non-stationary environment in which the agents are not able to maintain a good win score over a large amount of games.

6 CONCLUSION

In this paper we described a cyber security simulation with two learning agents playing against each other on a cyber network. The simulation is modelled as a Markov game with incomplete information in which the attacker tries to hack the network and the defender tries to protect it and stop the attacker. Monte Carlo learning with several exploration

strategies (ϵ -greedy, Softmax, UCB-1 and Discounted UCB) and Q-learning for the attacker and two additional neural networks using stochastic gradient descent back-propagation for the defender (one linear network and one with a hidden layer) are evaluated. Both agents needed to use the algorithms to learn a strategy to win as many games as possible, and due to the competition the environment became highly non-stationary. The results showed that the neural networks were not able to handle with this very well, but the Monte Carlo and Q-learning algorithms were able to adapt to the changes in behavior of the opponent. For the defender, Monte Carlo with Softmax exploration performed best, while the same holds for learning effective attacking strategies.

REFERENCES

- Auer, P., Cesa-Bianchi, N., and Fischer, P. (2002). Finite-time analysis of the multiarmed bandit problem. *Machine Learning*, 47:235–256.
- Chung, K., Kamhoua, C., Kwiat, K., Kalbarczyk, Z., and Iyer, K. (2016). Game theory with learning for cyber security monitoring. *IEEE HASE*, pages 1–8.
- Garivier, A. and Moulines, E. (2008). On upper-confidence bound policies for non-stationary bandit problems. *ALT*.
- Lin, L.-J. (1993). *Reinforcement Learning for Robots Using Neural Networks*. PhD thesis, Carnegie Mellon University.
- Littman, M. L. (1994). Markov games as a framework for multi-agent reinforcement learning. In *ICML*, pages 157–163.
- Neumann, J. V. and Morgenstern, O. (2007). *Theory of games and economic behavior*. Princeton University Press.
- Sharma, A., Kalbarczyk, Z., Barlow, J., and Iyer, R. (2011). Analysis of security data from a large computing organization. In *2011 IEEE/IFIP DSN*, pages 506–517.
- Sutton, R. S. and Barto, A. G. (1998). *Reinforcement Learning: An Introduction*. The MIT press, Cambridge MA.
- Szepesvári, C. (1997). The asymptotic convergence-rate of q-learning. In *NIPS*, pages 1064–1070.
- Tambe, M. (2011). *Security and Game Theory: Algorithms, Deployed Systems, Lessons Learned*. Cambridge University Press, New York, NY, USA, 1st edition.
- Uther, W. and Veloso, M. (2003). Adversarial reinforcement learning. Technical Report CMU-CS-03-107.
- Wang, Y., Li, T., and Lin, C. (2013). Backward q-learning: The combination of sarsa algorithm and q-learning. *Eng. Appl. of AI*, 26:2184–2193.
- Watkins, C. and Dayan, P. (1992). Q-learning. *Machine Learning*, 8:279–292.
- Wiering, M. and van Otterlo, M. (2012). *Reinforcement Learning: State of the Art*. Springer Verlag.