

University of Groningen

Sites and finds of the Campoverde and Padiglione surveys of the Pontine Region Project (2005)

van Loon, Tanja; Willemsen, Sarah; Tol, Gijs

Published in:
Palaeohistoria

IMPORTANT NOTE: You are advised to consult the publisher's version (publisher's PDF) if you wish to cite from it. Please check the document version below.

Document Version
Publisher's PDF, also known as Version of record

Publication date:
2014

[Link to publication in University of Groningen/UMCG research database](#)

Citation for published version (APA):

van Loon, T., Willemsen, S., & Tol, G. (2014). Sites and finds of the Campoverde and Padiglione surveys of the Pontine Region Project (2005). *Palaeohistoria*, 55/56, 105-147.

Copyright

Other than for strictly personal use, it is not permitted to download or to forward/distribute the text or part of it without the consent of the author(s) and/or copyright holder(s), unless the work is under an open content license (like Creative Commons).

The publication may also be distributed here under the terms of Article 25fa of the Dutch Copyright Act, indicated by the "Taverne" license. More information can be found on the University of Groningen website: <https://www.rug.nl/library/open-access/self-archiving-pure/taverne-amendment>.

Take-down policy

If you believe that this document breaches copyright please contact us providing details, and we will remove access to the work immediately and investigate your claim.

Downloaded from the University of Groningen/UMCG research database (Pure): <http://www.rug.nl/research/portal>. For technical reasons the number of authors shown on this cover page is limited to 10 maximum.

PALAEOHISTORIA

*ACTA ET COMMUNICATIONES
INSTITUTI ARCHAEOLOGICI
UNIVERSITATIS GRONINGANAE*

55/56

(2013/2014)

University of Groningen / Groningen Institute of Archaeology

&

Barkhuis

Groningen 2014

Editorial staff

P.A.J. Attema, E. Bolhuis, R.T.J. Cappers, A.M. Hansen (coordinator/editor), M.A. Los-Weijns, J.H.M. Peeters, W. Prummel, D.C.M. Raemaekers, S. Voutsaki

Drawing office

S.E. Boersma, E. Bolhuis (coordinator), M.A. Los-Weijns, S. Tiebackx

Address

University of Groningen
Groningen Institute of Archaeology
Poststraat 6
9712 ER Groningen
The Netherlands
gia@rug.nl

Website

www.palaeohistoria.nl

Publisher's address

Barkhuis
Kooiweg 38
9761 GL Eelde
the Netherlands
info@barkhuis.nl
www.barkhuis.nl

Typesetting

Hannie Steegstra

Cover design

S.E. Boersma / M.A. Los-Weijns

Cover

To unravel the mystery of the lost hunebed G4, we first met remnants of medieval and post-medieval cultivation of the Onner es. The greyish pit was a key feature to understanding the demolition of the megalith.

Photographed by Prof. dr. H.A. Groenendijk (Provincie Groningen / Groningen Institute of Archaeology)

ISSN 0552-9344

ISBN 9789491431753

Copyright © 2014 Groningen Institute of Archaeology, University of Groningen, the Netherlands.

All rights reserved. No part of this publication or the information contained herein may be reproduced, stored in a retrieval system, or transmitted in any form or by any means, electronic, mechanical, by photocopying, recording or otherwise, without prior written permission from the Groningen Institute of Archaeology, University of Groningen.

Although all care is taken to ensure the integrity and quality of this publication and the information herein, no responsibility is assumed by the publishers nor the authors for any damage to property or persons as a result of operation or use of this publication and/or the information contained herein.

CONTENTS

D.C.M. RAEMAEKERS, J. GEUVERINK, I. WOLTINGE, J. VAN DER LAAN, A. MAURER, E.E. SCHEELE, T. SIBMA & D.J. HUISMAN Swifterbant-S25 (gemeente Dronten, provincie Flevoland). Een bijzondere vindplaats van de Swifterbant-cultuur (ca. 4500-3700 cal. BC)	1
H.A. GROENENDIJK, J.N. LANTING & H. WOLDRING Die Suche nach dem verschollenen Großsteingrab G4 'Onner es' (Onnen, Prov. Groningen)	57
S. ARNOLDUSSEN & K.M. DE VRIES Of farms and fields: the Bronze Age and Iron Age settlement and Celtic field at Hijken – Hijkerveld	85
T. VAN LOON, S.L. WILLEMSSEN & G.W. TOL Sites and finds of the Campoverde and Padiglione surveys of the Pontine region project (2005)	105
F.B.J. HEINRICH & D.A. WILKINS Beans, boats and archaeobotany. a new translation of <i>phasolus</i> or why the romans ate neither kidney beans nor cowpeas	149
P.A.J. ATTEMA, T.C.A. de HAAS & G.W. TOL Villas and farmsteads in the <i>Ager Setinus</i> (Sezze, Italy)	177

SITES AND FINDS OF THE CAMPOVERDE AND PADIGLIONE SURVEYS OF THE PONTINE REGION PROJECT (2005)

T. VAN LOON, S.L. WILLEMSSEN & G.W. TOL

University of Groningen, Groningen Institute of Archaeology, Groningen, the Netherlands

ABSTRACT: This article presents the results of a campaign of small-scale systematic intensive surveys carried out in 2005 in the areas of Padiglione and Campoverde in the coastal part of the Pontine region (Lazio, Central Italy). These surveys, carried out within the ambit of the long-running Pontine Region Project of the Groningen Institute for Archaeology (henceforth GIA), had a two-fold objective. Firstly, work in the Campoverde area was undertaken in order to establish the presence/absence of settlements that could be spatially and chronologically associated with the cult place of Laghetto del Monsignore that has been the object of study by the GIA ever since the late 1980's. Secondly, surveys in the Padiglione area were aimed to assess the northward continuity of the dense pattern of protohistoric and Roman occupation that was attested in the area of Campana (municipality of Nettuno) that is situated just south of the investigated area. Overall, nine sites were recorded dating from Protohistory to the Roman Imperial period; however, the obtained results should be read in close dialogue with the complicated landscape history of the studied area.

KEYWORDS: Central Italy, Pontine region, Pontine Region Project, Campoverde, Padiglione, Laghetto del Monsignore, cult place, archaeological field survey, settlement patterns, pottery studies.

1. INTRODUCTION

This article summarizes the results of systematic field surveys conducted in the summer of 2005 in the municipality of Aprilia (Lazio, Central Italy; see fig.1). These surveys, carried out within the ambit of the long-running Pontine Region Project of the Groningen Institute for Archaeology (henceforth GIA), focused on two separate areas. The first is situated just north of the present-day hamlet of Padiglione, where two sizable contiguous fields were investigated. The second area of study comprises a cluster of agricultural fields around the nature sanctuary of Laghetto del Monsignore, dating between the 10th and 5th century BC, just north of modern Campoverde.

The first part of the article provides a short background to the Padiglione and Campoverde surveys (section 2), followed by a discussion of the present day landscape and topography and a brief overview of previous studies that have dealt with the areas under study (section 3). The second part comprises a summary of the research methodology adopted during the field surveys here discussed (section 4), and a diachronic discussion of the results obtained (section 5). The main observations and conclusions will be summarized in section 6. The article is supplemented by a full site- and finds catalogue (appendix 1).

2. BACKGROUND

The Pontine Region project, originally only intended to provide some spatial context for the Groningen

excavations at ancient *Satricum*, has passed through different sub-phases with varying geographical and thematic foci over the last 30 years.¹ In the last decade, work has mainly been concentrated on the coastal part of the region, comprising systematic field surveys around lake Fogliano (Attema & De Haas, 2005), and a programme of small-scale excavations and field surveys around the lower streambed of the Astura river and within the municipal area of Nettuno (Attema, De Haas & Nijboer, 2003; Attema, De Haas & Tol, 2009 and 2011; Attema *et al.* 2008; Attema, De Haas & Tol, 2010; Tol, van Loon & Attema, 2012). Habitation in the Nettuno area appeared to cluster predominantly in the region of Campana, a relatively elevated area (app. 60 m a.s.l.), that, considering its proximity to the Latin and Roman colony of *Antium*, must have formed part of its *ager* in ancient times (see fig.2). In the area a number of small protohistoric sites was identified, which yielded predominantly non-diagnostic fragments and could not be dated more accurately, as well as a single more substantial settlement, covering up to 6 ha, that can be dated to the first, second and possibly the third phase of the Middle Bronze Age (De Haas & Tol, 2005; Alessandri, 2009: 235-240). A second period of intensive occupation of the area can be dated to the Late Republican/Early Imperial period and later, when at least four large sites with clear evidence for elaborate architecture (painted plaster, mosaic floors, marble slabs, window glass) were newly founded in association with the paving of the so-called *Via Selciatella*, connecting the town of *Antium* with the *Via Appia* (Attema, De Haas & Tol, 2010: 177-179).² The investigations in the Padiglione area, located just north of the Campana

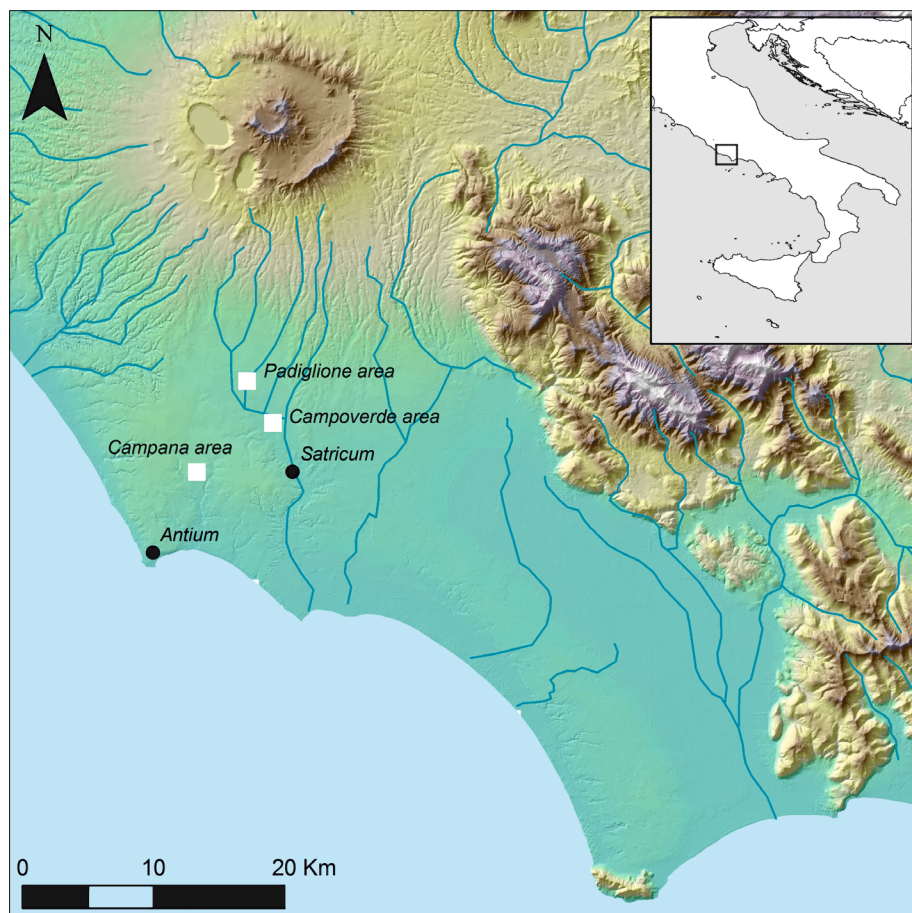


Figure 1. Location of the field-work area. (J. Seubers, Groningen Institute of Archaeology, Groningen, the Netherlands).

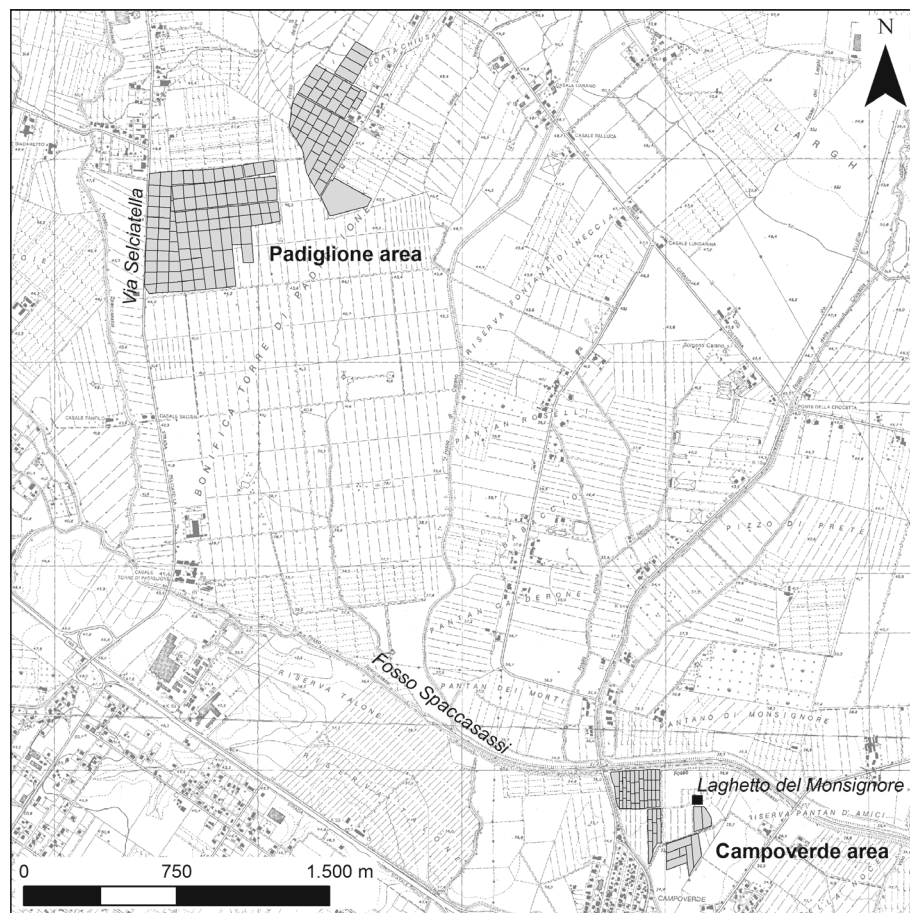


Figure 2. Location of the two surveyed areas (J. Seubers, Groningen Institute of Archaeology, Groningen, the Netherlands).



Figure 3. The nature sanctuary of Lghetto del Monsignore, Campoverde. Photo T. van Loon, Groningen Institute of Archaeology, Groningen, the Netherlands.

area and intersected by the same track, were specifically aimed at assessing the northward continuity of this dense pattern of protohistoric and Roman habitation.

The cult place of Lghetto del Monsignore (see fig.3) has been an object of study by the GIA ever since the late 1980's.³ Renewed interest in the site and its surroundings was fuelled by the discovery of a substantial collection of pottery and small finds from this context in the store-rooms of the *antiquarium di Nettuno*.⁴ The here discussed surveys were specifically undertaken in order to establish the presence/absence of settlements spatially and chronologically associable with the cult place.

3. THE STUDY AREA – LANDSCAPE AND TOPOGRAPHY

3.1 Past and present landscape and land-use

Surveys in the Padiglione area covered two large contiguous fields in the areas of Bonifica Torre del Padiglione and Pedata Riserva Chiusa (together covering c. 45 ha), to the west and east bordered by the modern via Selciatella and the via Carano respectively, whilst its southern boundary is formed by the Fosso Spaccasassi. In the Campoverde area, located further to the south, northeast

of the homonymous village, three adjacent fields were investigated, together covering 9 ha. The studied area is bordered to the west and east by the modern Strada Provinciale 87b and the via Mediana per Cisterna, and to the north by the same Fosso Spaccasassi (fig.2).

Both areas under study are situated in the northwestern margin of the Pontine Region, which can be regarded as a geological transition area. The areas themselves consist of lagoonal deposits of the Latina level, formed on top of the poorly permeable subsoil made up of volcanic sediments, deposited by various eruption episodes of the *Volcano Laziale*.⁵ To the south, the present-day surface predominantly consists of sandy-clayey marine terraces (Beneo, 1963), covered by more recent sand deposits.

As mentioned by several local farmers, both areas have witnessed alterations of the original landscape in recent times (levelling, adding/removal of soil) in order to increase their agricultural potential (Quilici, 1999).⁶ At present, they are being used for intensive agriculture (melon and kiwi plantations; grain and vine cultivation), bringing about the progressive destruction of the archaeological record. Also, the area of Bonifica Torre del Padiglione was included in the large-scale reclamation scheme of the 1930's, aimed at rendering the notorious Pontine marshes (or *Pomptinae Paludes*) suitable for large-scale habitation and agriculture. It is difficult

to ascertain the direct consequences of the implementation of such a scheme for the local archaeological record. Although these reclamation must have brought about profound changes to the local infrastructure (digging or diverting of canals, road construction) it may have left large parts of the original landscape intact, as is becoming increasingly evident for some of the more southern parts of the Pontine plain.⁷ In the Campoverde area, a local farmer has mentioned that during the canalization of the Fosso Spaccasassi soil from the ditch was used to raise the surrounding fields.

3.2 Past topography and previous research

3.2.1 *The Padiglione Area*

Although no comprehensive archaeological study for the Padiglione area has ever been conducted, a number of smaller-scale topographic and archaeological studies provide valuable information on ancient habitation and infrastructure in the area.⁸ As mentioned above, the area centres on the modern via Selciatella that largely follows the track of a 'Roman' road that is possibly of a more ancient origin. A number of paving stones associated with this road in the wider area inform us of its former course (De Rossi, 1981: 99-100). A second road, the ancient *Via Satricana*, merges with the *Selciatella* just north of the modern hamlet of Padiglione. The immediate vicinity of the surveyed area has yielded a number of dispersed Roman finds (De Rossi, 1981: 98-100)⁹ as well as the remains of two villas, one of which yielded the well-known relief of *Antinoos* in the guise of *Silvanus*, dated to the reign of Hadrian and currently preserved in the *Palazzo Massimo* in Rome (Rizzo, 1908: 3-17; Sapelli, 1991: Quilici, 1999). A substantial settlement dating to the end of the Middle Bronze Age was mapped to the southwest of the surveyed area in the 1990's (Angle, Gianni & Guidi, 1991; Belardelli & Pascucci, 1996; Alessandri, 2009: 134-36).

3.2.2 *The Campoverde area*

In the end of the 19th century De La Blanchère published a survey of the Pontine Region, containing a description of the area of Campoverde. Besides the 'Casale di Campomorto' at the heart of present-day Campoverde, he also remarks upon an ancient road, paved with basalt blocks and flanked by old tombs.¹⁰ Two marble inscriptions and a sarcophagus found near Campoverde by Barnabei and Cozza in 1896 (Barnabei, 1896: 69-70; Barnabei & Cozza, 1896: 28-29) are probably associated with the same road.¹¹ More Roman remains have been found near the 'Laghetto del Monsignore', situated just north-northeast of the village of *Campoverde*. Circa 200 meters southwest of the lake, tiles, fragments of tuff, amphorae and other pottery types dating to the Early Imperial period have been found (Quilici & Quilici Gigli 1984: note 80).

However, the cult place of Laghetto del Monsignore itself was not discovered until 1968, when Carmine Ampolo and Valeria Giovannini encountered a large concentration of pottery in and near the spring lake (Giovannini & Ampolo, 1976: 347).¹² A rescue excavation was performed between December 1977 and January 1978 by the *Soprintendenza archeologica per il Lazio* (SBAL) under the supervision of Livio Crescenzi. Substantial archaeological remains (mainly pottery and bronzes) were identified below the water surface in the lake itself and in additional trenches alongside its banks. However, the high groundwater level and continuing flow of the spring hindered the excavation and did not allow the excavators to reach a depth of more than 1.40-1.50 meters below ground level (Crescenzi, 1978: 51). A short report on the excavation and the materials collected was written by Crescenzi in *Archeologia Laziale* I (Crescenzi, 1978: 51-54) and single artefacts were presented in several later publications (E.g. Giovannini and Ampolo, 1976: 347; Crescenzi, 1978: 52-54; Beijer, 1991: 67, 73, 77, 82; Quilici Gigli, 2004: 244-245; Papi, 2001). Large parts of the excavated material were studied by students of the GIA in 1986,¹³ resulting in the publication of the miniature impasto pottery found during the excavation (Kleibrink, 1997/1998: 441-511; Maaskant-Kleibrink, 2004, 132-155).¹⁴ Another collection of materials from the 'Laghetto del Monsignore' was gathered from the lake and its surroundings by the former director of the *Antiquarium di Nettuno* Arnaldo Liboni between 1978 and 1985.¹⁵ This collection was studied during several campaigns by the GIA between 2005 and 2009.¹⁶ In December 2008, an intervention by the *Comando dei Carabinieri per la Tutela del Patrimonio Culturale*, after the discovery of illegal excavation activities, resulted in the confiscation of hundreds of vessels and bronzes from the house of the field owner and prompted a rescue excavation at the site on behalf of the SBAL. Since then, the four known collections of materials from the cult place have been brought together for study as part of a collaboration between the GIA and the SBAL.¹⁷ The material publication of this study, comprising 11,401 fragments of pottery, metal, amber, glass and bone from the cult place, will be published shortly. A more in-depth analysis of the votive deposit is currently carried out within the framework of the PhD research of the first author (van Loon, forthcoming).

4. THE SURVEY - FIELD METHODOLOGY AND ARTEFACT PROCESSING

Two different survey methods were used during the Padiglione and Campoverde surveys. In general, a so-called block survey method was applied, whereby fields were divided into units of 50 x 50 m and traversed by 5 walkers, resulting in an assumed surface coverage of 20% (Attema *et al.*, 2008; Attema, De Haas & Tol, 2010). All

walkers were instructed to collect all materials encountered in their respective lanes, hence allowing the mapping of the distribution of ploughed-up artefacts over the entire investigated area. However, in areas where low find densities were expected – mainly in areas where large-scale interventions in the original landscape were supposed – units were in some cases extended up to a maximum of 250 x 50 m, using the same coverage. From these extended units, finds were not collected systematically, but through a form of *cluster sampling* (Orton, 2000: 34-38). This procedure entailed the uninterrupted traversing of fields until a conspicuous find or a sudden change in the density of surface artefacts is observed by one of the walkers. The area around such locations is subsequently closely inspected up until the point that no more finds are encountered.

After their collection finds were washed and dried, after which they were classified according to a simple scheme that separates them into broad functional or chronological groups.¹⁸ Each distinct group of artefacts was individually counted and weighed. Fragments bearing diagnostic features (*i.e.* rims, bases, handles and decorated body fragments) were selected for further study, generally entailing their detailed description and drawing.

5. THE SURVEY - DISCUSSION OF THE RESULTS

The investigated fields in the Padiglione and Campoverde areas yielded a total of 9 archaeological sites. Seven of these were readily identified during the survey, as they clearly stood out from the relatively thin spread of finds encountered in both areas. Another two sites were identified after the survey, based on the relatively high amount and wide variety of the materials collected at their locations.¹⁹ In this section, we will present a diachronic discussion of the results obtained for both areas. The results will be considered in tandem with the complicated landscape history of both areas.

5.1 The Padiglione area

5.1.1 Landscape alterations

In the Padiglione area, seven sites have been identified (see fig.4); six of these are situated in the area of Bonifica Torre del Padiglione, whilst one site was mapped in the adjacent area of Riserva Pedata Chiusa.

Based on the obtained data, it appears that the known landscape interventions in the Bonifica di Torre del

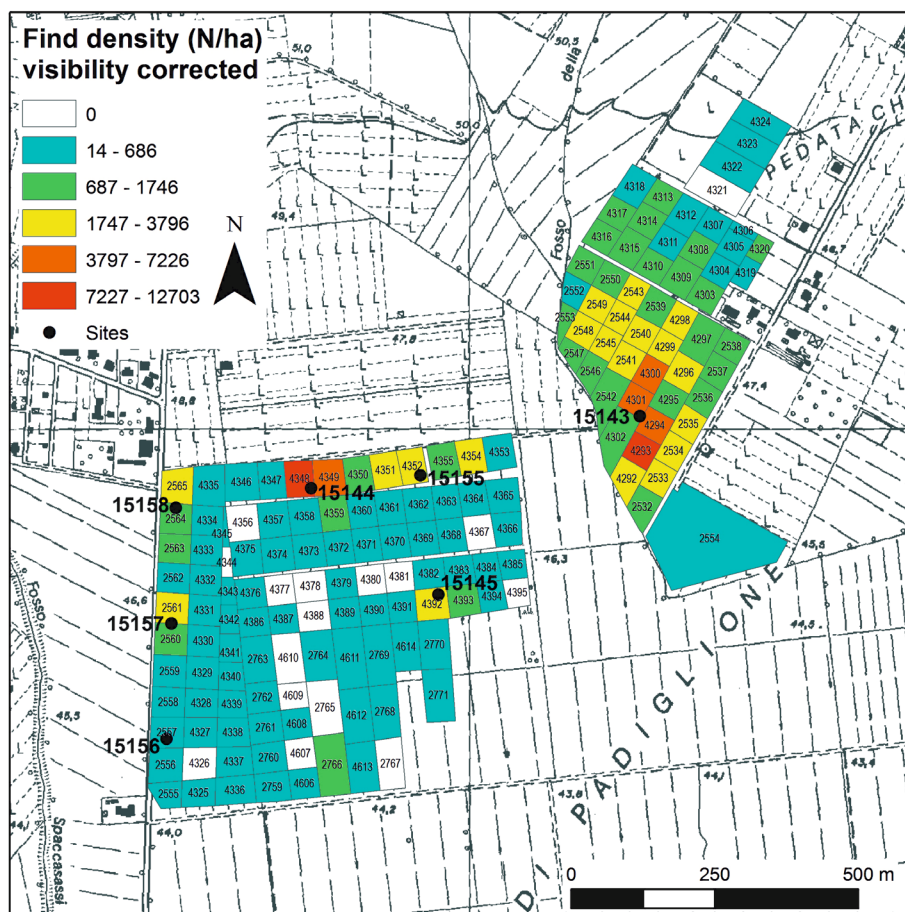


Figure 4. Surveyed units and sites in the Padiglione area (J. Seubers, Groningen Institute of Archaeology, Groningen, the Netherlands).

Padiglione area have not had a ubiquitously destructive effect on the archaeological record as recorded sites generally present themselves as clearly defined scatters. However, it is notable that all but one of the recorded sites in this area cluster either around the northern field boundary or the modern road to the west. Although this distribution could be a simple reflection of preferential site location, we take into account that areas situated more towards the centre of the field may have been more severely affected. On the other hand, the influence of modern mechanized farming on the archaeology in the plough soil appears to be substantial: all of the sites contain mainly robust tile fragments and yielded only small amounts of predominantly weathered, non-diagnostic pottery.²⁰

The formation history of site 15143, situated in the Riserva Pedata Chiusa area, has been studied in more detail. It is characterized by a high density of protohistoric and Roman pottery, covering an area of more than 4 ha. According to the field owner the field had been artificially raised in the past by soil deriving from the Alban Hills. To assess whether the recorded surface artefact distribution corresponded to archaeology buried under the plough soil corings have been carried out, revealing a clear *in situ* archaeological stratum at a depth of 35 cm containing pottery and hut loam.

5.1.2 Survey results

Although, as mentioned above, two substantial Bronze Age settlements were recorded in the wider area in previous studies almost no evidence for Bronze Age or Early Iron Age activity has been detected.²¹ This can possibly be explained by the fact that although some of the sites yielded many impasto finds, the preservation of these fragments is generally very poor, making it hard to date them accurately. Only site 15143 in Riserva Pedata Chiusa can with certainty be dated in the Protohistoric Period. It dates between the 8th and the 6th century BC. Besides the more common impasto table and storage vessels from this period, the site yielded some rare finds, such as weaving utensils, a miniature vessel and a fragment of *impasto rosso*. In addition, building materials, both burned hut loam (*grumo*) and tile, have been found, suggesting the presence of one or more dwellings at this location. The storage jars and weaving utensils further suggest a productive component of the site. For the miniature vessel parallels can be found in many Latial votive deposits, such as at the cult place of Laghetto del Monsignore. At sites 15155 and 15156 in the Padiglione area, impasto pottery has been found as well, although none of the recovered fragments could be dated with precision. The presence of hut loam in combination with impasto identifies the former as a habitation site.

All of the sites mapped in the Padiglione area yielded evidence for Roman period activity, although the overall

number of collected diagnostic materials was relatively low. The presence of typical Post-Archaic/Republican wares and fabrics (*chiaro sabbioso* tile and pottery; body fragments of black glazed ware, Campanian black sand amphorae²² and cooking pots in a red-firing fabric, sometimes containing abundant augite inclusions²³) on most sites suggest that they were in use during (part of this) period. Based on the collected finds and the generally small size of the recorded sites we must probably envisage them as modest roofed farmsteads. The recovery of fragments of grinding stones on two of these sites seems to confirm this idea.

Only two sites yielded firm evidence for Imperial period occupation (15144 and 15156). This occupation can be dated with more certainty, thanks to a number of easily recognizable wares and shapes (such as Terra Sigillata, ARS, African cookware and well-documented amphora types). Site 15144, already established in the course of the Republican period, presents a dense scatter of ceramics and building materials over an area of 3000 m² that probably constitutes the remains of a modest habitation site. Based on the collected pottery, it seems that the site continued to be inhabited until somewhere in the 3rd century AD. On the northern edge of the site a clear concentration of *basoli* was noted, possibly representing the remains of a Roman-period road that must have provided a connection to the *Via Selciatella*. Site 15156 is somewhat enigmatic. Covering an area of only 100 m² it yielded large amount of building materials and pottery, mainly consisting of imported ceramics (table wares, cookwares and amphorae), as well as Roman glass and grinding stone fragments. For now, we infer that it represents an outbuilding, possibly for agricultural purposes, associated with a nearby site.

The find of a single rim fragment of an ARS dish on site 15143, amidst an otherwise much earlier assemblage, is considered an off-site find.

Comparing Roman period occupation in the Padiglione area with that of the nearby Campana area several marked differences can be observed. Sites in the former area generally appear to be founded earlier, already in the course of the Republican period; at the same time they were much more modest in size and yielded almost exclusively fragments of mundane pottery and architecture. Also, none of them remained occupied after the 3rd century AD. Roman settlement in the Campana area peaks in the Early Imperial period, when it is characterized by a number of large sites yielding large numbers of imported pottery and evidence for elaborate architecture. A number of these sites continue to be occupied well into the Late Roman period or even later. This picture largely conforms to the development of the town of *Antium* itself, which witnessed a strong growth from the Early Imperial period onwards, stimulated by the construction of a new harbour.

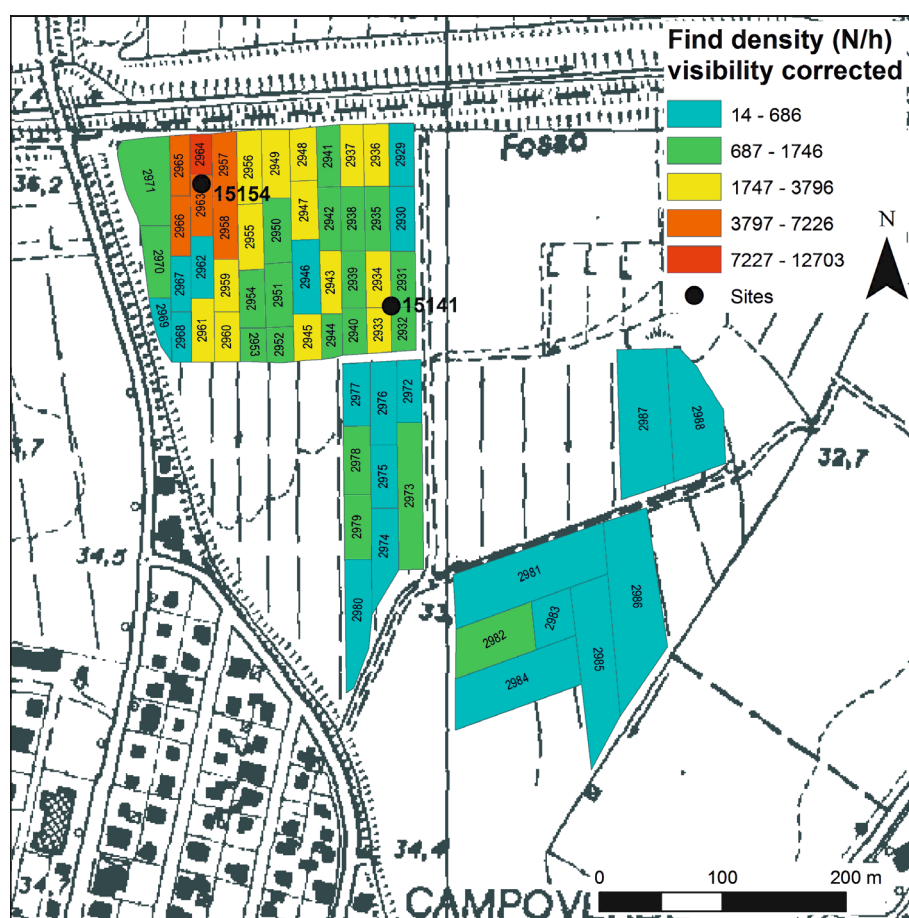


Figure 5. Surveyed units and sites in the Campoverde area (J. Seubers, Groningen Institute of Archaeology, Groningen, the Netherlands).

5.2 The Campoverde area

5.2.1 Landscape alterations

In the Campoverde area, only two sites have been identified (see fig.5), both situated in a field bordering on the Fosso Spaccasassi, to the west-northwest of the Laghetto del Monsignore (sites 15141 and 15154). Both of these sites yielded a somewhat suspicious mixture of large, well-preserved fragments and rounded fragments that had clearly been damaged by contact with water. This suggests that *in situ* fragments have somehow been mixed with soil brought in from nearby streamlets, with the Fosso Spaccasassi and the Laghetto itself (also considering the assemblage of site 15141) as obvious candidates.

5.2.2 Survey results

The expectation to encounter sites dating between the Early Iron Age and the Archaic period was much higher for the Campoverde survey area, mainly because of its vicinity to the votive deposit of Laghetto del Monsignore dating between the 10th and 5th century BC. Therefore, it is surprising that so little material dating to these periods has actually been found, especially in the area directly adjacent to the lake in which the votive deposit is situated.²⁴ The largest part of the assemblage of site 15154 consists of impasto pottery, including dolium fragments.

However, the absence of diagnostic pottery does not allow us to date the site with more accuracy. Site 15141 attests to a possible Orientalizing phase and certain activity in the Archaic period: a clear concentration of 6th century impasto and bucchero pottery, red augite tile and hut loam has been found in the centre of four units, and imply the presence of a building.

Both sites yielded low amounts of Republican pottery (red augite-rich and *chiaro sabbioso* tiles, amphora, utilitarian pottery and black glazed ware), indicating the persistence of (small-scale) activity at both locations after the Archaic period.

6. CONCLUSIONS

This section summarizes the evidence for ancient settlement recorded during intensive field surveys by the GIA in the Campoverde and Padiglione areas, in the coastal part of the Pontine region. Surveys in the former area have yielded two sites, one certainly (representing a small habitation site) and one possibly concurrent with, at least part of, the chronology of the nearby cult place of Laghetto del Monsignore. However, the results from this area must be read with some caution, as local reports document landscape interventions in modern times.

Alterations to the original landscape are supposed for the Padiglione area as well, as it was part of Mussolini's reclamation scheme of the 1930's. However, these alterations may not have had a wholesale devastating effect on the archaeological record, as is suggested by the recording of what appear to be seven in situ sites in this area. This suggestion was further substantiated by coring on one of the identified sites, revealing an intact archaeological stratum directly below the ploughsoil. This site (site 15143) represents a substantial Late Iron Age to Archaic settlement, yielding a.o. building materials, storage pottery and weaving utensils and covering an area of at least 4 ha. The other six identified sites are predominantly of Roman (Republican and Imperial) date. All but two sites (apart from sites 15144 and 15146) yielded many tile fragments and mainly small and non-diagnostic fragments of pottery, reflecting their progressive destruction by modern mechanized farming. Despite this, it is quite clear that the recorded Roman sites are rather different in nature than those previously identified in the Campana area, both in terms of chronology, size and wealth, possibly reflecting the stronger connections of this area with the nearby town of *Antium*.

7. NOTES

1. Key publications of the project include Attema, 1993; Attema & Van Leusen, 2004; Attema, Burgers & Van Leusen, 2010; Attema, De Haas & Tol, 2011; De Haas, 2011 and Tol, 2012.
2. For the *via Selciatella* see De Rossi, 1981; Negrini, 2004; Tol, 2006 and Garofalo, 2010.
3. See Kleibrink, 1997/1998.
4. See Van Loon, 2009 & 2010. Furthermore, a material publication, comprising all known pottery collections from this site is in preparation.
5. Carta Geologica d'Italia foglia 158; Kamermans, 1991: p. 26, fig. 3.
6. Soil alterations were reported by several farmers during the survey as well.
7. A recent programme of coring was carried out to assess the contribution of (sub-)recent landscape modifications in the creation of surface distributions (for example because of the adding of soil) in the surroundings of the road stations of *Forum Appii* and *Ad Medias* (modern Mesa di Pontinia), two road stations situated in the lowest lying part of the Pontine plain along the Via Appia. These corings demonstrate the presence of in situ archaeological strata on all of the six studied locations.
8. Surveys carried out within the framework of the so-called *Simulazione dell'occupazione del territorio durante la preistoria*-project possibly provide a more comprehensive study of ancient settlement. However, its results have never been published (Alessandri, 2009: p. 136). For other studies summarizing evidence for the immediate surroundings of the investigated area see De Rossi, 1981; Quilici, 1999 and Modica, 2010.
9. These include Roman materials incorporated in the medieval Torre Spaccasassi and recorded near the Casale Torre di Padiglione. Quilici also reports on other – mainly Roman period – remains in the wider area, including a statue of Cibele retrieved near the Fosso di Spaccasassi (Quilici, 1999).
10. De La Blanchère 1883/1885 in: Quilici Gigli, 2004: p. 244.
11. The inscriptions and sarcophagus were dated in the first century AD. According to Bouma (1996: p. 41) this is the road that connected Antium with Velletri in the Imperial Period.
12. There has been some controversy concerning the name of the lake. In scientific publications about the votive deposit, the lake is named Laghetto del Monsignore. Locally the name Pantano d'Amici is also used for the lake, corresponding with the toponym of the fields in which the lake is located, Riserva Pantano D'Amici. For the fields north of the lake, the toponym Pantano di Monsignore is known (see Fig. 5). Somehow the names got mixed up, for the consistency of the publications we will use Laghetto del Monsignore here for the name of the votive deposit and lake.
13. Because of a robbery at the storerooms in Tivoli, not all of the excavation material was available for further study (See Kleibrink 1997/1998: p. 441).
14. The other material groups, such as the full-sized impasto pottery, bucchero and Etruscan-Corinthian pottery, were not published.
15. Personal comment A. Liboni. For publications of other contexts of the Liboni Collection see: Attema, De Haas & Tol, 2011 and Tol, 2012: chapter 4.
16. The collection was studied for the MA-thesis of T. van Loon (2009).
17. The project is supervised by dr. Francesco di Mario of the Soprintendenza per Beni Archeologici del Lazio and Prof.dr. P.A.J. Attema of the Groningen Institute of Archaeology. Protocol number: Prot. MBAC-SBA-LAZ N.2131, Class 31.10.04/1D 22-02-2010.
18. This scheme is identical to that used for contemporaneous surveys of the Pontine Region Project (see Attema, De Haas & Tol, chapter 3).
19. These are PRP-sites 15145 and 15157. While evaluating the collected materials, two previously presumed sites (PRP-sites 15142 and 15147) have been rejected, as the remains from these locations – both in a quantitative and qualitative sense – did not stand out from their immediate surroundings.
20. The poor state of conservation of the sites in this area was also noted by Quilici in the late 1990's (Quilici, 1999).
21. Only a fragment of an ansa rochetto (Net'05 4316/01/01), found in and off-site unit, possibly dates to the late Bronze Age.
22. For a description of the fabric see Peacock & Williams, 1986: p. 87.
23. This fabric was previously thought to be of Archaic date – based on their widespread occurrence at Satricum in strata of this date. However, on rural sites fragments in the same fabric are generally associated with Republican wares and shapes, suggesting its perdurance into later periods (Tol, 2012: p. 33).
24. See units 2987 and 2988.
25. http://archaeologydataservice.ac.uk/archives/view/amphora_ahrh_2005/.

8. REFERENCES

ALESSANDRI, L. 2009, *Il Lazio centromeridionale nelle età del Bronzo e del Ferro*, University Library Groningen Host, S.l.; Groningen.

- ANGLE, M., A. GIANNI & A. GUIDI, 1991. Nuovi dati sul Lazio meridionale, *Rassegna Archeologia X*, 717-719.
- ATTEMA, P.A.J. 1993, *An archaeological survey in the Pontine region*, Archeologisch Centrum, Rijksuniversiteit Groningen, Groningen.
- ATTEMA, P.A.J. & M. VAN LEUSEN, 2004. The early Roman colonization of South Lazio: a survey of three landscapes. In: P.A.J. Attema (ed.) *Centralization, early urbanization and colonization in first millennium BC Italy and Greece. Part 1: Italy*. Leuven, Peeters, 157-195.
- ATTEMA, P.A.J. & T.C.A. DE HAAS, 2005. Sites of the Fogliano survey (Pontine Region, Central Italy), Site classification and a comment on the diagnostic artefacts from prehistory to the Roman period, *Palaeohistoria* 45/46, 121-196.
- ATTEMA, P., T. DE HAAS & A.J. NIJBOER, 2003. The Astura project, interim report of the 2001 and 2002 campaigns of the Groningen Institute of Archaeology along the coast between Nettuno and Torre Astura (Lazio, Italy), *Babesch* 78, 107-140.
- ATTEMA, P.A.J., H. FEIKEN, T.C.A. DE HAAS & G.W. TOL, 2008. The Astura and Nettuno surveys of the Pontine Region Project (2003-2005), 1st report, *Palaeohistoria* 49/50, 415-516.
- ATTEMA, P.A.J., T.C.A. DE HAAS & G.W. TOL, 2009. *Nettuno, il territorio dalla preistoria al medioevo: la carta archeologica*. Pomezia, Arti Grafiche.
- ATTEMA, P.A.J., T.C.A. DE HAAS & G.W. TOL, 2010. The Astura and Nettuno surveys of the Pontine Region Project (2003-2005), 2nd and final report, *Palaeohistoria* 51/52, 169-327.
- ATTEMA, P., G.-J. BURGERS & M. VAN LEUSEN, 2010. *Regional Pathways to complexity*. Amsterdam, Amsterdam University Press.
- ATTEMA, P.A.J., T.C.A. DE HAAS & G.W. TOL, 2011. *Between Satricum and Antium: Settlement dynamics in a coastal landscape in Latium Vetus* (Babesch Supplementa Series, 18). Leuven, Peeters.
- BADONI, F.P., 2000. *Ceramiche d'Impasto dell'età orientalizzante in Italia, Dizionario terminogico*. Fratelli Palombi Srl.
- BARNABEI, F. *Campomorto. Le iscrizioni latine*, NSA, 1896, 69-71
- BARNABEI, F. & A. COZZA. 1896. Conca. Di un antico tempio scoperto presso le Ferriere nella tenuta di Conca, dove si pone la sede della città di Satricum. In: NSc, 23-48.
- BEIJER, A.J., 1991. Un centro di produzione di vasi d'impasto a Borgo Le Ferriere ("Satricum") nel periodo dell'orientalizzante. *Mededelingen van het Nederlands Instituut*. vol. 50, 63-87
- BELARDELLI, C. & P. PASCUCCHI, 1996. *Repertorio dei siti protostorici del Lazio – province di Rieti e Latina*. Roma.
- BENEO, E., 1963. *Carta Geologica d'Italia Foglio 158 Latina*, II Ediz. Servizio Geologico Italia.
- BIETTI SETIERI, A.M. 1992, *The Iron Age community of Osteria dell'Osa : a study of socio political development in central Tyrrhenian Italy*, Cambridge University Press, Cambridge etc.
- BOUMA, J.W. 1996, *Religio votiva: the archaeology of Latial votive religion : the 5th-3rd cent. BC votive deposit south west of the main temple at Borgo Le Ferriere*, S.I.
- BRANDT, R. 1996. *Scavi di Ficana II, I Il periodo protostorico e arcaico*. Roma.
- CARAFÀ, P. 1995, *Officine ceramiche di età regia : produzione di ceramica in impasto a Roma dalla fine dell'VIII alla fine del VI secolo a.c. "L'Erma" di Bretschneider*, Roma.
- CRESENZI, L. 1978, "Campoverde", *Archeologia Laziale*, vol. I, 51-55.
- DE HAAS, T.C.A., 2011. *Fields, farms and colonists, intensive field survey and early Roman colonization in the Pontine Region, central Italy* (Groningen Archaeological Studies, 15). Eelde/Groningen, Barkhuis Publishing/University of Groningen Library.
- DE HAAS, T. & G. TOL, 2005. Survey in Campana, gemeente Nettuno (Italië), *Paleo-aktueel* 16, 77-83.
- DE ROSSI, G.M., 1981. La via da Lanuvio al litorale di Anzio. In: *Ricognizione archeologica: nuove ricerche nel Lazio*. Rome, 89-103.
- ETTLINGER, E., B. HEDINGER, B. HOFFMANN, P.M. KENRICK, G. PUCCI, K. ROTH-RUBI, G. SCHNEIDER, S. VAN SCHNURBEIN, C.M. WELLS & S. ZAHBLICKY-SCHEFFENEGGER, 1990. *Conspectus Formarum Terrae Sigillatae Italico Modo Confectae*. Bonn.
- GAROFOLO, P. 2007. La via Lanuvio-Anzio nel sistema stradale dei Colli Albani, *Daidalos* 8, 119-133.
- GIOVANNINI, V. & AMPOLO, C. 1976, "Campoverde" in *Civiltà del Lazio Primitivo*. Roma, 347.
- HAYES, J.W., 1972. *Late Roman pottery*. London, The British School at Rome.
- KAMERMANS, H. 1991, "Faulted land: The geology of the Agro Pontino." in *The Agro Pontino Survey Project.*, eds. A. Voorrips, S.H. Loving & H. Kamermans, Studies in Prae- en Protohistorie, 6. edn, Universiteit van Amsterdam, Amsterdam, 21-30.
- KLEIBRINK, M. 1997. L'organizzazione spaziale dei culti a Satricum. *Mededelingen van het Nederlandse Instituut te Rome*, vol. 56, 139-164.
- KLEIBRINK, M., 1997-1998. The miniature votive pottery dedicated at the 'laghetto del Monsignore' Campoverde. *Palaeohistoria* 39/40, Rotterdam, pp. 441-511.
- MAASKANT-KLEIBRINK, M., 1987. Settlement excavations at Borgo Le Ferriere <Satricum>, Volume I. Groningen, Forsten.
- MAASKANT-KLEIBRINK, M., 1992. Settlement excavations at Borgo Le Ferriere <Satricum>, Volume II. Groningen, Forsten.
- MAASKANT-KLEIBRINK, M., 2004. Miniature votive pottery, from the "Laghetto del Monsignore", Campoverde and votive deposit I at Satricum, Borgo le Ferriere. In: *Religio, Santuari ed ex voto nel Lazio meridionale*. Formia, 132-155
- MODICA, S. 2010. Risorse naturali e attività produttive nel Lazio meridionale costiero (Italia): dati conoscitivi tra *Antium, Ardea e Satricum*, *Bollettino di Archeologia on line*, vol. Volume speciale, no. AIAC 2008, 75-79.
- MUNSELL, 1994. *Munsell soil color charts (revised edition)*. New Windsor.
- NEGRINI, C., 2004. La Via Selciatella tra via Padiglione Campana e via Spaccasassi, nei comuni di Nettuno, Aprilia e Lanuvio. In: Petacco, L. & S. Quilici-Gigli (eds.) *Viabilità e insediamenti nell'Italia antica* (Atlante tematico di topografia antica, 13): 229-233.
- NEGRONI CATAACCHIO, N. & CARDOSA, M. 1995, *Sorgenti della Nova : l'abitato del Bronzo Finale*, Istituto Italiano di Preistoria e Protostoria, Firenze.
- OLCESE, G., 2003. *Ceramiche comuni a Roma e in area romana: produzione, circolazione e tecnologia (tarda età repubblicana – prima età imperiale)*. Mantova.
- ORTON, C. 2000. *Sampling in archaeology*. Cambridge, Cambridge University Press.
- PEACOCK, D. & D. WILLIAMS, 1986. *Amphorae and the Roman economy: An introductory guide*. London/New York.

- QUILICI, L. & S. QUILICI GIGLI, 1984. Longula e Polusca. *Archeologia Laziale* VI. 107-132.
- QUILICI, L., 1999. Una statua di Cibele e il rilievo di Antinoo dalla Torre del Padiglione tra Lanuvio ed Anzio, *OCNUS* 7, 93-112.
- QUILICI GIGLI, S., 2004. Circumfuso Volitabant militi Volsci, dinamiche insediative nella zona Pontina. *Atta* 13. 235-245.
- RASMUSSEN, T.B. 1979, *Bucchero pottery from southern Etruria*, Cambridge University Press, Cambridge ; New York.
- RIZZO, G.E., 1908. Torre del Padiglione. Rilievo Marmoreo di Antonianos di Afrodisia rappresentante Antinoo-Silvano, *Notizie degli scavi di antichità* 2, 48-52.
- SAPELLI, M., 1991. Il rilievo di Antonianos di Afrodisia con Antinoo-Silvano, *Bollettino di Archeologia* 7, 88-91.
- TOL, G., 2006. De Romeinse weg van *Lanuvium* naar *Antium*. Verbeterde bereikbaarheid als een trigger voor lokale sociaal-economische veranderingen, *Tijdschrift voor Mediterrane Archeologie* 35, 25-31.
- TOL, G.W., 2012. *A fragmented history. A methodological and artefactual approach to the study of ancient settlement in the territories of Satricum and Antium* (Groningen Archaeological Studies, 18). Eelde/Groningen, Barkhuis Publishing/University of Groningen Library.
- TOL, G.W., T. VAN LOON, P.A.J. ATTEMA & A.J. NIJBOER, 2012. Protohistoric sites on the coast between Nettuno and Torre Astura (Pontine Region, Lazio, Italy), *Palaeohistoria* 53/54, 161-193.
- VAN LOON, T., 2009. Ritual as an indicator of social change. A case study of a votive deposit in Latium Vetus: 'Laghetto del Monsignore'. MA-thesis, University of Groningen.
- VAN LOON, T., 2010. Ritueel als indicator van sociale veranderingen: het votiefdepot Laghetto del Monsignore (Campoverde), een casus. *Tijdschrift voor Mediterrane Archeologie* 42, 1-8.
- VAN LOON, T., forthcoming. *Defining the Ritual, Analyzing Society. The religious and social significance of material culture in pre-Roman cult places in Central Italy*, PhD thesis, University of Groningen.
- WENN, C.C., 2010. The dolia and other large vessels. In: Moltesen, M. & B. Poulsen (eds.) *A Roman villa by Lake Nemi. The Finds. The Nordic Excavations by Lake Nemi, loc. S. Maria (1998-2002)*. Rome, Edizioni Quasar.

APPENDIX 1: SITE AND FINDS CATALOGUE

This appendix comprises an overview of all sites identified during the Campoverde (section 1.1) and Padiglione (section 1.2) surveys of the GIA, carried out in 2005, including a full catalogue of the collected diagnostic fragments for each site. Off-site finds are presented separately for each of the two study areas at the end of the two sections.

SITE DESCRIPTION

The description of each site consists of:

- A map indicating the site's location;
- A site identifier (a unique five digit site ID);
- Where available a toponym;
- Site coordinates (projected ED zone 33N);
- A description of the local topography;
- Information on survey and sample strategies applied and, between brackets, the number of fragments from each site that has been included in the catalogue;
- A list of the units in which the site is situated;
- A description of the collected finds;
- The proposed chronology;
- When necessary, additional remarks.

FIND DESCRIPTION

Each site description is followed by descriptions of the collected diagnostic finds; accompanying drawings (unless stated otherwise on scale 1:2), are to be found at the back of the catalogue. Fragments that have little typological value (simple handles, flat bases etc.) have not been drawn. Of types that have been collected more than once only the most illustrative fragment has been depicted.

The diagnostic artefacts are presented in the following eight groups: *impasto*; *impasto rosso*; *bucchero*; tiles; large storage and transport vessels; utilitarian pottery; fine wares and miscellaneous.

In the following, the terms and abbreviations used in the catalogue are explained, serving as an introduction to the sherd descriptions and accompanying drawings. The format used for the finds descriptions are identical to those used during the contemporaneous Astura- and Nettuno-surveys (Attema *et al.*, 2008; Attema, de Haas & Tol, 2010), and includes the following elements:

- A unique sherd identifier consisting of: the survey code (usually Net '05), followed by a unit number and an individual sherd number.
- A description of the ware, distinguishing:
 - *Impasto*: hand-made, coarse pottery;

- *Impasto rosso*: wheel turned, fine pottery with a red slip; less inclusions than the 'normal' impasto;
- *Bucchero*: wheel turned fine pottery with a black fabric and very little inclusions;
- *Coarse ware*: wheel turned pottery with large (visible to the naked eye) inclusions;
- *Impasto chiaro sabbioso*: wheel turned coarse pottery, generally in a light colour (white, pale, light brown, yellow) and containing abundant volcanic inclusions that are easily visible by the eye
- *Depurated ware*: wheel turned pottery without inclusions that are visible to the naked eye
- *Terra sigillata*: wheel turned fine pottery with a red slip (mostly of Italian origin)
- *African cook ware*: wheel turned pottery in a brick-red or orange color, often with clear discoloration on the outer rim and lip (from exposure to fire);
- *African red slip ware*: wheel turned fine pottery with a red/orange slip (of African origin)
- *Glazed ware*: wheel turned pottery with a glazed exterior, generally of post-Roman date
- *Stone / flint*: worked stone artefacts
- A description of the fragment type (base, body, neck, rim, handle, etc.) as well as, where possible, the vessel shape.
- A more detailed description of the morphology of the preserved fragment;
- Colors-values (according to Munsell, 1994), taken from the interior and exterior of each fragment, as well as (when possible) from its core. For several fine ware classes (e.g. black glazed ware, terra sigillata) normally only core and slip color were recorded;
- Measurements; in general recording height in position and width of the fragments, as well as one, or several, measures of the fragment's thickness. When possible, the diameter is determined (normally on the exterior of the rim/base);
- Remarks (optional); listing other relevant information that has not yet been mentioned in any of the previous headings;
- When available, references for parallels and a date is provided.

Dates for Terra sigillata derive from *CFTS* (1990), whereas dates for ARS types derive from Bonifay (2004), supplemented by earlier publications, mainly Hayes (1972) and Atlante I (1981) Coarse ware parallels in general refer to local and/or regional contexts as published in Olcese (2003), whereas the main reference works for the impasto pottery are Maaskant-Kleibrink 1987 and 1992. For the identification and dating of amphora fragments the database of the *University of Southampton Amphora Project* was used (*USAP* 2005).²⁵

Section 1.1 - Campoverde Survey

Site 15154

Toponym: Riserva Pantan d'Amici
Coordinates: X: 310861, Y: 4602142

Topography The site is located north of the town of Campoverde along the strada provinciale 87b leading to the village of Velletri. The core of the site is situated in the corner of a large field, near the crossing of the Fosso della Crocetta and the Fosso Spaccasassi.

Survey and sample strategy Block survey; standard samples (1 catalogued fragment).

Units site 2947-49, 2955-58, 2959-61, 2963-66

Finds Impasto (inc. dolium), tile (red augite, depurated and impasto chiaro sabbioso), amphora, black glazed ware, glazed pottery, flint.

Date Probably between the Iron Age and Archaic Period; Post-archaic/Republican Period.

Utilitarian pottery

1. Net'05 2957/01/01

Coarse ware

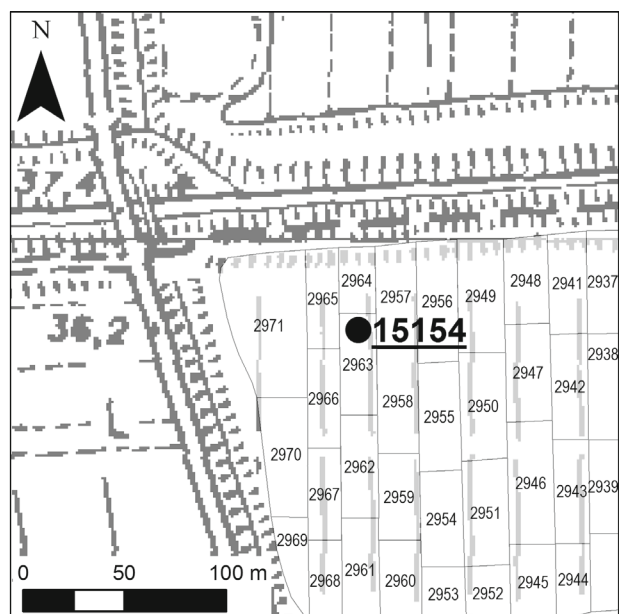
Rim fragment of a pan

Flaring wall; out turning rim with an internal rounded angle; convex lip.

Ext. + int. 5 YR 6/8 reddish yellow and 7.5 YR 6/4 light brown, core 5

YR 6/8 reddish yellow and 10 YR 4/1 dark gray

1.8 x 4.6 x 0.5 – 0.7; Ø 20.0



Site 15141

Toponym Riserva Pantan d'Amici
Coordinates X: 311015, Y: 4602036

Topography Site 15141 is located in the middle of a large field, just north of the village of Campoverde. Laghetto del Monsignore is situated only about 250 m to the east.

Survey and sample strategy Block survey; standard en diagnostic samples (16 catalogued fragments).

Units site 2931-34.

Remarks Some of the sherds have been eroded by water.

Finds Impasto (including dolium and weaving utensils), bucchero, tile (red augite, depurated, chiaro sabbioso), coarse and depurated wares, amphora, hut loam, flint.
Date Possibly Orientalizing, Archaic, Post-Archaic/Republican.

*Impasto***1. Net'05 2931/02/02**

Impasto

Rim fragment of a jar

Out curving rim, with notched cord decoration on the outside, angular in section; convex lip.

Ext. + core between 2.5YR 6/6 light red and 2.5YR 5/6 red; int. 5YR 5/3 reddish brown

3.5 x 5.0 x 0.7 – 0.7 – 1.2 (notched cord); Ø ca. 25.0

2. Net'05 2934/01/01

Impasto

Rim fragment of a jar

Flaring wall; straight rim; out curving convex lip, thickening on the outside.

Ext. + int. 5 YR 4/1 dark gray, core 5 YR 4/1 dark gray and 10 YR 5/4 yellowish brown

2.3 x 2.7 x 0.5 – 0.8; Ø 10.0

3. Net'05 2932/01/04

Impasto

Rim fragment

Straight rim, thinner towards the lip; pointed lip.

Ext. 7.5YR 4/2 dark brown; int. 7.5YR 4/4 dark brown; core 7.5YR 5/4 brown

1.4 x 1.6 x 0.8 – 0.5; Ø unknown

Not drawn

4. Net'05 2932/01/03

Impasto

Wall and handle fragment

Wall fragment with part of vertical ring-handle attached.

Ext. + int. 2.5YR 5/6 red and 2.5YR 4/2 weak red

7.2 x 4.3 x 2.0 – 3.9

Not drawn

5. Net'05 2931/02/05

Impasto

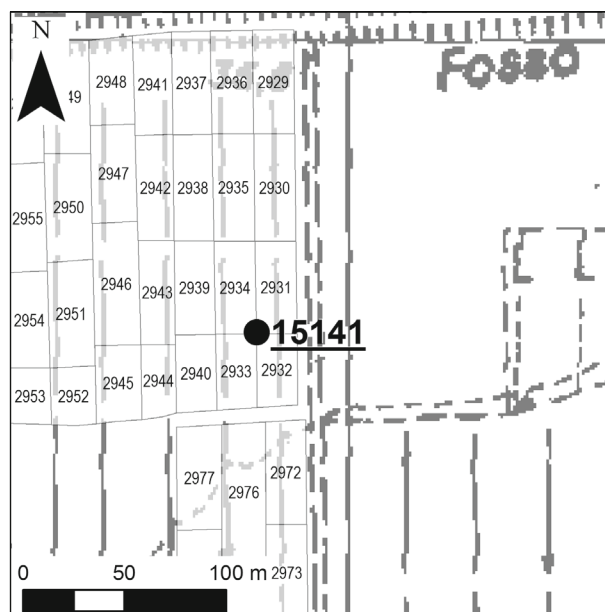
Decorated wall fragment

Wall fragment with plastic decoration, consisting of a cord, rounded in section, decorated with diagonal grooves.

Ext. between 2.5 YR 5/6 red and 2.5 YR 5/8 red, int. (slip) between 5 YR 5/4 reddish brown and 5 YR 4/4 reddish brown, core 5 YR 5/4 reddish brown.

4.2 x 7.6 x 1.3; Ø unknown

Attema *et al.*, 2001/2002: p. 352, fig. 16, type XIV-4/5 (900-600/590 BC); Van Loon *et al.*, in prep.: cat.nr. PDA53771.

**6. Net'05 2931/02/03**

Impasto

Base fragment

Flat base, inside concave; flaring wall.

Ext. + int. 7.5YR 4/6 strong brown; core 10YR 6/4 light yellowish brown

2.7 x 5.0 x 0.8 – 0.9; Ø ca. 8.0

Not drawn

7. Net'05 2933/01/03

Impasto

Base fragment

Flat base, inside concave; spreading wall.

Ext. 2.5YR 5/6 red; int. 5YR 5/4 reddish brown; core 2.5YR 5/6 red shifting to 7.5YR 5/2 brown

4.5 x 8.0 x 2.7 – 2.0

Not drawn

8. Net'05 2931/01/10

Impasto

Base fragment

Flat base, inside concave; spreading wall.

Ext. 7.5YR 4/6 strong brown; int. + core 10YR 4/1 dark gray

2.6 x 4.3 x 0.9 – 0.9; Ø 12.0

Not drawn

9. Net'05 2931/02/01

Impasto

Base fragment

Flat base, inside concave; spreading wall.

Ext. between 7.5YR 6/6 reddish yellow and 7.5YR 4/6 strong brown; int. 10YR 3/2 very dark grayish brown; core 10YR 5/3 brown

2.6 x 7.9 x 0.7 – 0.7; Ø 7.0

Not drawn

10. Net'05 2932/01/02

Impasto

Base fragment

Somewhat concave base, inside concave; spreading wall.

Ext. 10YR 3/2 very dark grayish brown; int. between 7.5YR 4/2 and 4/4 dark brown; core between 7.5YR 4/2 and 3/2 dark brown

2.1 x 5.2 x 1.5 – 1.4; Ø ca. 10.0

Not drawn

11. Net'05 2933/01/02

Impasto

Base fragment probably of a small bowl

Flaring base with a tapering edge.

Ext. + int. 7.5YR 4/2 dark brown and 7.5YR 4.6 strong brown; core 7.5YR 5/4 brown

1.2 x 2.4 x 1.2 – 0.6; Ø 4.0

Not drawn

*Bucchero***12. Net'05 2931/02/04**

Bucchero

Rim fragment of a bowl

Carenated body; out curving rim; lip is thickening on the outside.

Ext. + int. 2.5 YR N4/0 dark gray, core 7.5 YR 5/4 brown and 10 YR 8/1 white

2.3 x 2.2 x 0.5 – 0.7; Ø unknown

Rasmussen, 1979: p. 124; plate 41; bowl type 1 (first half of sixth century BC)

13. Net'05 2931/01/06

Bucchero

Rim fragment of an oinochoe

Part of a trilobate mouth, out curving rim.

Ext. + int. 2.5YR 4/0 dark gray; core between 10YR 6/4 light reddish brown and 10YR 5/4 yellowish brown

3.8 x 5.0 x 0.6 – 0.7 x Ø unknown

Not drawn

14. Net'05 2931/01-05, 07-09, Net'05 2934/01/02-05

Bucchero

Wall fragments

Ext. + int. 2.5YR 4/0 dark gray; core between 10YR 6/4 light reddish brown and 10YR 5/4 yellowish brown

Not drawn

*Utilitarian pottery***15. Net'05 2933/01/01**

Depurated ware

Knob of a lid

Cylindrical knob; outside concave; inside concave; shallow ridge on the exterior; convex lip.

Ext. + int. + core 10YR 8/4 very pale brown

2.2 x 6.2 x 1.0 (base-ring) x Ø 2.0 (base-ring) – 0.5 (wall) – 0.6

*Miscellaneous***16. Net'05/2932/01/01**

Stone/waster

Unidentified object

Not drawn

*Off-site materials Campoverde survey***1. Net'05 2930/01/01**

Impasto

Wall fragment

Wall fragment with plastic decoration, consisting of a pinched cord, triangular in section, decorated with diagonal grooves made with a sharp object.

Ext. between 7.5 YR 5/6 strong brown and 7.5 YR 4/6 strong brown 3.3 x 3.4 x 0.9

Attema *et al.*, 2001/2002: p. 352, fig. 16, type XIV-6 (900-600/590BC); Van Loon *et al.*, in prep.: cat.nr. CVlib2353.**2. Net'05 2935/01/01**

Impasto

Rim fragment of a ?

Flaring wall; out curving rim; convex lip.

Ext. between 5 YR 6/8 reddish yellow and 5/8 red, int. 7.5 YR 5/6 strong brown and 7.5 YR N4/0 dark gray, core 7.5 YR N4/0 dark gray and 10 YR 6/4 light yellowish brown

2.9 x 5.5 x 0.8 – 1.1; Ø 20.0

3. Net'05 2938/01/01

Coarse ware

Rim fragment of a jar

Spreading wall; straight rim; convex lip, thickened on the outside with a shallow groove underneath.

Ext. 2.5 YR 5/6 red and 2.5 YR N4/0 dark gray, int. + core 2.5 YR N4/0 dark gray

4.1 x 4.1 x 0.8 – 1.0; Ø 20.0

Olcese, 2003: TAV.VII, Olla type 2 (400 – 200 BC)

4. Net'05 2944/01/01

African cookware

Rim fragment of a lid

Spreading wall; straight rim, thickening towards the lip; convex lip, slightly pointed on the inside of the mouth.

Ext. + int. + core between 5YR 7/8 reddish yellow and 2.5YR 6/9 light red

2.1 x 3.1 x 0.6 – 1.0; Ø 20.0

Hayes, 1972: form 196 (AD 150 - 250)

5. Net'05 2951/01/01

Impasto

Base fragment

Flat base, inside concave; spreading wall; possibly incised decoration on the inside of the base.

Ext. + int. 5YR 6/6 reddish yellow and 5YR 5/6 yellowish red; core 10YR 5/3 brown

3.9 x 6.2 x 0.9 – 1.1; Ø 7.0

Not drawn

6. Net'05 2986/01/01

Impasto

Base fragment

Flat base, inside concave; spreading wall.

Ext. between 5YR yellowish red and 5YR 5/4 reddish brown; int. between 5YR 4/2 dark reddish gray and 5YR 5/4 reddish brown; core 10YR 5/2 grayish brown

3.8 x 6.6 x 0.6 – 0.8; Ø 7.0

Not drawn

7. Net'05 2986/01/02

African Red Slip Ware

Rim fragment of a dish

Overhanging rim, flattened on top; convex lip.

Ext. + int. + core 2.5YR 6/8 light red

1.1 x 2.3 x 0.7 – 0.7; Ø unknown

Not drawn

Section 1.2 - Padiglione Survey

Site 15143

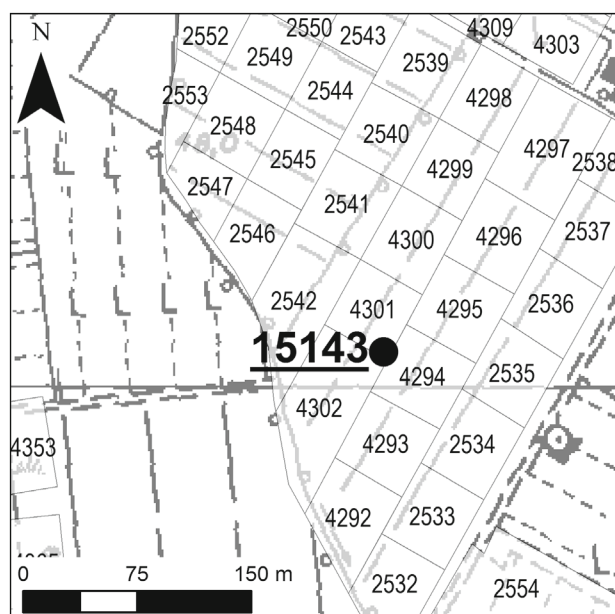
Toponym	Riserva Pedata Chuisa
Coordinates	X: 309324, Y: 4605221
<i>Topography</i>	The site is located in farmland, approximately 900 meter south of the village of Torre del Padiglione, at the end of a byroad of the Via Carano. The Fosso delle Pedata runs along the western boundary of the field.
<i>Survey and sample strategy</i>	Block survey; Standard, diagnostic and grab samples (91 catalogued fragments). 2443-45, 2532-35, 2540-41, 2548-49, 4292-96, 4300-01 (Units 2532 and 4295 were related to site 15143 not based on the density of the material, but because of the large number of diagnostic finds from these units).
<i>Units site</i>	
<i>Remarks</i>	Because of suggestions by local people that part of the soil was displaced from the Alban Hills to this area, a coring has been made near the site. Traces of hut loam have been found at a depth of c. 35 cm in the coring, similar to the loam present in the surface material of the site. It is therefore deemed unlikely that we are dealing with a disturbed archaeological record.
<i>Finds</i>	Impasto (incl. dolium and weaving utensils), tile (chiaro sabbioso), coarse and depurated wares (incl. impasto chiaro sabbioso pottery), amphora, black glazed ware, glazed ware, hut loam, wasters?, grinding stone, flint, bone, iron (probably recent).
<i>Date</i>	Orientalizing-Archaic Period; Possibly Post-Archaic and certain Mid Republican – Early Imperial activity.

*Impasto***1. Net'05 2532/02/06**

Impasto
Rim fragment of a bowl/lid
Spreading wall; straight rim; convex lip.
Ext. + int. between 7.5 YR 6/6 reddish yellow and 7.5 YR 5/6 strong brown, core 10 YR 6/4 light yellowish brown
2.6 x 3.3 x 0.8 – 0.5; Ø 30.0
Alessandri, 2009: p. 132, fig. 33.6, nr. 52; Attema *et al.*, 2001/2002: p. 337, fig. 7, type V.1 (900-600/590BC); Carafa, 1995: p. 43, tipo 75-77 (730-530/520BC); Maaskant-Kleibrink, 1987: p. 162, cat. nr. 380 (c. 830-750BC); Maaskant-Kleibrink, 1992: p. 221, cat. nr. 2325 (725-600/590 BC); Van Loon *et al.*, in prep.: cat.nr. CVlib2720.

2. Net'05 2535/01/05

Impasto
Rim fragment of a bowl/lid
Spreading wall; straight rim; convex lip.
Ext. + int. + core between 2.5YR 5/6 red and 2.5YR 3/6 dark red
2.0 x 3.4 x 0.8 – 0.6; Ø unknown
Same shape as Net'05 2532/02/06, site 15143, nr. 1

**3. Net'05 4295/02/06**

Impasto
Rim fragment of a bowl/lid
Spreading wall; straight rim; convex lip.
Ext. + int. between 2.5 YR 5/6 red and 2.5 YR 5/8 red, and 7.5 YR 6/6 reddish yellow, core 7.5 YR 6/6 reddish yellow and 2.5 YR 5/6 red
4.2 x 5.3 x 1.2 – 0.7; Ø 15.0
Drawn
Same shape as Net'05 2532/02/06, site 15143, nr. 1

4. Net'05 4295/01/04

Impasto
Rim fragment of a bowl/lid
Spreading wall; straight rim; convex lip.
Ext. + core between 5YR 4/4 reddish brown and 2.5YR 4/6 red; int. 5YR 4/1 dark gray; traces of slip 5YR 4/4 reddish brown
1.7 x 3.1 x 0.8 – 0.7; Ø 10.0
Same shape as Net'05 2532/02/06, site 15143, nr. 1

5. Net'05 4300/01/01

Impasto
Rim fragment of a bowl
Spreading wall; straight rim, flattened lip.
Ext. 7/5 YR 6/6 reddish yellow, int. 7.5 YR N4/0 dark gray, core 7.5 YR N4/0 dark gray and 7.5 YR 6/6 reddish yellow
2.5 x 3.5 x 1.1 – 1.4; Ø 20.0

6. Net'05 2535/01/06

Impasto
Rim fragment of a bowl
Straight rim; convex lip.
Ext. + int. + core 5YR 5/6 yellowish red
3.0 x 1.9 x 0.8 – 0.6; Ø unknown
Not drawn

7. Net'05 4292/02/02

Impasto (rosso?)

Rim fragment of a bowl

Rounded body; upright rim; flattened lip.

Ext. + int. + core between 2.5YR 5/6 and 4/6 red

5.5 x 4.5 x 1.2 – 0.7; Ø unknown

Carafa, 1995: p. 108; tipo 240 (700-675 BC); Maaskant-Kleibrink, 1992: p. 161, cat. nr. 1375 (590-580/570 BC); Maaskant-Kleibrink, 1992: p. 209, cat. nr. 2147 (590-580/570 BC); Van Loon *et al.*, in prep.: cat.nr. CVlib2724

8. Net'05 2534/02/01

Impasto, common red slip

Rim fragment of a ciotola

Flaring wall; in turning rim with external angle; flattened, tapering lip.

Ext. + int. + core 7.5YR 6/4 light brown and 2.5YR 5/6 red

5.5 x 5.9 x 0.9 – 0.5; Ø 30.0

Attema *et al.*, 2001/2002: p. 337-40, fig. 7, type V.3 (900-600/590BC); Carafa, 1995: p. 37-8; tipo 57-9 (730-550 BC); Maaskant-Kleibrink, 1987: p. 204, cat. nr. 1043-4 (seventh century BC).

9. Net'05 2541/01/02

Impasto

Rim fragment of a coppa (possibly a coppetta su piede)

Overhanging rim with internal angle, flattened on top; convex lip.

Ext. + int. between 7.5YR 5/4 brown and 7.5YR 4/6 strong brown; core 10YR 5/3 brown

1.9 x 2.6 x 0.65 – 0.7 – (overhanging rim 2.1); Ø ca. 15.0

Badoni, 2000: p. 112, tav. LXI, nr. 7-8 (first and last quarter of the seventh century BC); Van Loon *et al.*, in prep.: cat.nr. CV'10.0459

10. Net'05 4294/01/01

Impasto

Rim fragment of a jar

Incurving shoulder; upright rim; convex lip.

Ext. 5 YR 5/6 yellowish red and 5 YR 4/1 dark gray, int. + core 5 YR 4/4 reddish brown

4.1 x 3.8 x 1.1 – 0.7; Ø 20.0

Carafa, 1995: p. 32, tipo 46 (730/20-550 BC)

11. Net'05 2533/02/02

Impasto

Rim fragment of an olla

Incurving shoulder; straight rim; convex lip.

Ext. + int. + core between 2.5 YR N4/0 dark gray and 2.5 YR N3/0 very dark gray

2.5 x 2.7 x 1.1 – 0.8 x Ø 15.0

Attema *et al.*, 2001/2002: p. 335, fig. 5, type III.7 (900-600/590BC); Van Loon *et al.*, in prep.: cat.nr. CV18003; Brandt, 1996: p. 198, fig. 129, nr. 56a, 57c (760/750-580/570 BC)

12. Net'05 4292/02/03

Impasto

Rim fragment of a jar

Incurving shoulder; out turning rim with internal angle; pointed lip.

Ext. + int. + core 7.5 YR 5/6 strong brown and 5 YR 6/6 reddish yellow

5.2 x 6.4 x 1.0 – 0.7; Ø 30.0

Carafa, 1995: p. 30, tipo32 (900-530/20 BC)

13. Net'05 2535/01/02

Impasto

Rim fragment

Out curving rim; convex lip.

Ext. 10 YR 4/2 dark grayish brown, int. 5 YR 6/6 reddish yellow, core 7.5 YR 5/4 brown

2.9 x 3.7 x 0.8 – 0.6; Ø 10.0

Not drawn

14. Net'05 4294/01/05

Impasto

Rim fragment of a jar

Flaring wall; out curving rim; convex lip thickened on the outside.

Ext. + int. between 2.5 YR 6/8 light red and 2.5 YR 5/8 red, core between 7.5 YR 6/4 light brown and 7.5 YR 5/4 brown

2.3 x 2.5 x 0.6 – 0.9; Ø 10.0

15. Net'05 2533/03/01

Impasto

Rim fragment of a jar

Out turning rim with internal angle; flattened lip.

Ext. between 7.5 YR 4/2 dark brown and 7.5 YR 4/4 dark brown, int. between 7.5 YR 5/6 strong brown and 4/6 strong brown, core 7.5 YR 5/4 brown and N4/0 dark gray

4.7 x 7.4 x 1.7 – 1.5; Ø 30.0

Attema *et al.*, 2001/2002: p. 335, fig. 5, type III.9 (800-775/750 BC); Brandt, 1996: p. 188, fig. 123, nr. 37c (630/620-580/570 BC); Maaskant-Kleibrink, 1992: p. 159, cat. nr. 1341 (590-580/570 BC); Maaskant-Kleibrink, 1992: p. 173, cat. nr. 1565 (830-725 BC); Van Loon *et al.*, in prep.: cat.nr. CVlib2968.

16. Net'05 2541/01/01

Impasto

Fragment of a jar?

Not drawn

17. Net'05 2533/01/03

Impasto

Rim fragment of a dolium

In complete rim; convex lip, slightly flattened on top.

Ext. + int. 2.5 YR 4/4 reddish brown, core 10 YR 5/2 grayish brown and 10 YR 3/2 very dark grayish brown

5.0 x 6.5 x 3.7 – 2.6; Ø unknown

18. Net'05 2532/02/05

Impasto

Rim fragment of a dolium

Incomplete rim; lip is flattened on top.

Ext. + int. 2.5YR 4/4 reddish brown; core 5YR 4/1 dark gray shifting to 2.5YR 4/4 reddish brown

3.9 x 6.0 x 3.6 (lip); Ø unknown

Same shape as Net'05 2533/01/03 (site 15143, nr. 17)

19. Net'05 2534/02/03

Impasto

Rim fragment with fragment of a handle attached

Upright rim; flattened lip; vertical band-handle attached to lip.

Ext. + int. between 7.5YR 4/4 dark brown and 5YR 5/8 yellowish red; core 7.5YR 4/0 dark gray

Rim: 2.9 x 5.0 x 0.7; Ø 10.0; handle: 2.5 x 1.0

20. Net'05 4293/01/01

Impasto

Rim fragment

Spreading wall; slightly out curving rim; convex lip.

Ext. + int. 2.5 YR 5/6 red, core 2.5 YR N4/0 dark gray

2.2 x 3.4 x 1.1 - 0.9; Ø unknown

21. Net'05 2533/02/01

Impasto

Rim fragment

Somewhat out curving rim; convex lip.

Ext. + int. between 5YR 6/6 reddish yellow and 5YR 5/6 yellowish red; core 10YR 6/3 pale brown

1.9 x 3.5 x 0.8 – 0.5

Not drawn

22. Net'05 2533/02/03

Impasto
Probably a rim fragment
Straight rim; flattened lip.
Ext. 2.5YR 5/6 red; int. 2.5YR 4/2 weak red; core 2.5YR 5/4 brown
2.5 x 2.8 x 1.0 – 1.4; Ø unknown
Not drawn

23. Net'05/2535/01/03

Impasto
Rim fragment
Convex lip.
Ext. + int. 5YR 5/6 yellowish red; core 7.5YR 7/6 reddish yellow
2.7 x 4.7 x 1.7
Not drawn

24. Net'05 2544/01/03

Impasto
Rim fragment
Slightly out curving rim; convex lip.
Ext. 2.5YR 5/8 red; int. + core 10YR 5/4 yellowish brown
1.7 x 2.7 x 0.9 – 1.1; Ø 8.0
Not drawn

25. Net'05 4295/01/03

Impasto
Rim fragment
Straight rim; convex lip.
Ext. 7.5YR 5/2 brown; int. 7.5YR 5/6 strong brown; core 7.5YR 5/4 brown
1.8 x 2.6 x 1.2 – 1.2; Ø unknown
Not drawn

26. Net'05 2534/02/02

Impasto
Handle fragment with part of the wall attached
Horizontal handle, almost rectangular in section; body has a rounded transition towards an upright wall.
Ext. + int. between 7.5 YR 6/6 reddish yellow and 7.5 YR 5/4 brown, core between 10 YR 4/1 dark gray and 10 YR 4/2 dark grayish brown
4.2 x 5.7 wall: 3.9 x 2.6 x 0.6 – 1.2; handle: 2.2 x 1.7
Not drawn

27. Net'05 4293/02/04

Impasto
Handle fragment
Ring-handle, flattened on one side.
Ext. + int. 5YR 4/3 reddish brown; core 10YR 3/1 very dark gray
2.6 x 2.5 x 2.6
Not drawn

28. Net'05 2532/02/01

Impasto
Handle fragment
Ring-handle.
Ext. between 5YR 4/3 and 4/4 reddish brown; core 7.5YR 4/2 dark brown
3.3 x 1.5 x (1.4 - 2.0)
Not drawn

29. Net'05 2544/01/05

Impasto
Handle fragment
Ring-handle; faceted in section.
Ext. + int. between 7.5YR 5/6 strong brown and 7.5YR 4/6 strong brown; core 10YR 5/6 yellowish brown
2.8 x 2.1 x 2.0
Not drawn

30. Net'05 2549/01/02

Impasto
Handle fragment
Ring-handle; faceted in section.
Ext. 7.5YR 5/4 brown; core 5YR 5/4 reddish brown shifting to 10YR 4/1 dark gray
3.5 x 2.4 x 2.2
Not drawn

31. Net'05 4293/01/02

Impasto
Handle fragment
Band-handle.
Ext. + int. + core between 7.5YR 5/4 brown and 7.5YR 4/2 dark brown
2.2 x (2.7 – 2.7) x 1.8
Not drawn

32. Net'05 4293/01/08

Impasto
Handle fragment
Band-handle, oval in section.
Ext. + int. 2.5YR 5/6 red; core 7.5YR 6/4 light brown
4.0 x 2.2 x 1.7 x 1.1
Not drawn

33. Net'05 4292/01/01

Impasto
Handle fragment
Band-handle, oval in section.
Ext. + int. + core 5YR 4/2 dark reddish gray
5.8 x (2.3 – 3.6) x (1.0 x 1.4)
Not drawn

34. Net'05 4292/01/02

Impasto
Handle fragment
Band-handle, oval in section.
Ext. + int. + core 5YR 5/4 reddish brown
3.6 x 4.1 x (0.9 - 1.1)
Not drawn

35. Net'05 4292/02/01

Impasto
Handle fragment
Band-handle, oval in section.
Ext. 2.5YR 5/6 red and 7.5YR 5/6 strong brown; int. 2.5YR 5/8 red; core 2.5YR 5/2 weak red
3.9 x 3.8 x 1.4
Not drawn

36. Net'05 4294/01/06

Impasto
Handle fragment
Band handle; flattened in section; possibly horned decoration on top of a handle.
Ext. + int. + core: 2.5YR 5/6 red and 7.5YR 6/4 light brown
3.1 x 3.4

37. Net'05 4295/02/05

Impasto
Wall/handle fragment of a bowl
Wall fragment with a rounded angle on the outside with part of a handle attached, oval in section.
Ext. + int. 7.5 YR 6/6 reddish yellow and 5/6 strong brown, 7.5 YR 5/2 brown, 5 YR 5/6 yellowish red, core 7/5 YR N4/0 dark gray
4.9 x 7.1 x 0.9; Ø 18.0

38. Net'05 4301/01/02

Impasto
Handle fragment
Ring handle, faceted in section.
Not drawn

39. Net'05 4295/01/05

Impasto
Handle fragment
Band-handle, flattened in section.
Ext. + int. + core 7.5YR 5/4 brown
2.8 x 2.7 x 1.2
Not drawn

40. Net'05 2533/01/01

Impasto
Handle/lug fragment
Ext. 2.5YR 4/6 red; int. 7.5YR 4/6 strong brown; core 2.5YR 4/6 red shifting to 7.5YR 6/4 light brown shifting to 10YR 3/1 very dark gray
4.0 x 4.5 x 1.4 – 2.6
Very worn.
Not drawn

41. Net'05 2532/01/01

Impasto
Possibly fragment of a lug
Ext. + int. + core 2.5YR 4/4 reddish brown shifting to 5YR 4/2 dark reddish gray
2.6 x 3.4 x 1.3 – 2.0
Very worn fragment.
Not drawn

42. Net'05 2532/01/02

Impasto
Possibly lug fragment of a teglia
Low body; somewhat rounded transition to an upright rim; lug attached to rim.
Ext. + core 7.5YR 4/6 strong brown and 7.5YR 3/2 dark brown; int. 2.5YR 5/6 red
2.4 x 4.0 x 0.6 (base) – 2.4 x 1.7 (lug)
Not drawn

43. Net'05 4300/01/02

Impasto
Knob
Round knob, flattened on top.
2.5 YR 5/6 red, 5 YR 4/2 dark gray, 10 YR 5/4 yellowish brown
1.5 x 2.1; Ø 3.0

44. Net'05 2534/01/04

Impasto
Wall fragment
Possibly a fragment of a cookery plate
Ext. 10YR 3/1 very dark gray; int. + core between 7.5YR 5/6 strong brown and 7.5YR 5/8 strong brown
10.3 x 6.9 x 3.5
Not drawn

45. Net'05 2533/02/05

Impasto
Carenated wall fragment, possibly a of a tazza
Angular transition towards an upright wall.
Ext. between 10YR 4/1 dark gray and 10YR 4/2 dark grayish brown; int. 10YR 4/1 dark gray and 7.5YR 4/6 strong brown; core 10YR 4/1 dark gray
2.0 x 1.6 x 0.5 – 1.2 (carena)
Not drawn

46. Net'05 4293/01/03

Impasto
Carenated wall fragment of a scodella
Angular transition towards an upright wall.
Ext. + int. 5YR 4/3 reddish brown; core 5YR 5/4 reddish brown
2.6 x 4.7 x 0.6 – 0.5

47. Net'05 2534/01/02

Impasto
Decorated wall fragment
Exterior of the wall is decorated with a pattern of incised lines, formed by one horizontal lines with three perpendicular lines above.
Ext. between 7.5YR 5/2 brown and 5YR 4/3 reddish brown; core 5YR 5/4 reddish brown
4.2 x 3.1

48. Net'05 4293/02/01

Impasto
Decorated wall fragment
Wall fragment with plain cord decoration, triangular in section.
Ext. between 2.5 YR 6/8 light red and 2.5 YR 5/8 red, int. 2.5 YR N4/0 dark gray, core 2.5 YR 4/6 red with a shifting to 2.5 YR N4/0 dark gray
4.0 x 6.2 x 1.1
Attema *et al.*, 2001/2002: p. 352, fig. 16, type XIV-3 (900-600/590BC); Maaskant-Kleibrink, 1992: p. 171, cat. nr. 1537 (590-580/570 BC); Van Loon *et al.*, in prep.: cat.nr. CVlib2363

49. Net'05 2534/02/04

Impasto
Decorated wall fragment
Plain cord decoration.
Ext. + int. 7.5YR 5/4 brown; core 7.5YR 5/2 brown
4.5 x 4.7 x 1.0 – 1.7
Same shape as Net'05 4293/02/01 (site 15143, nr. 48)

50. Net'05 2541/01/03

Impasto
Decorated wall fragment
Plain cord decoration; triangular in section.
Ext. + int. core 2.5YR 4/6 red
3.5 x 3.4 x 0.9 – 1.3
Same shape as Net'05 4293/02/01 (site 15143, nr. 48)

51. Net'05 4293/01/05

Impasto
Decorated wall fragment
Plain cord decoration; triangular in section.
Ext. between 2.5YR4/4 reddish brown and 2.5YR 5/6 red; int. 5YR 4/3 dark reddish gray; core 7.5YR 4/2 dark brown
6.4 x 7.9 x 1.5 – 2.2
Same shape as Net'05 4293/02/01 (site 15143, nr. 48)

52. Net'05 2549/01/03

Impasto
Wall fragment with plastic decoration
Wall fragment with notched cord decoration, rounded in section, vertical groove.
Ext. between 7.5 YR 5/2 brown and 7.5 YR 5/4 brown, int. + core between 5 YR 6/8 reddish yellow and 5 YR 5/8 yellowish red.
4.3 x 5.5 x 1.2

53. Net'05 2532/02/03

Impasto
Decorated wall fragment
Possibly cord decoration.
Ext. 2.5YR 5/8 red; int. 2.5YR 5/8 red and 7.5YR 7/6 reddish yellow; core 2.5YR 5/6 red and 7.5YR 4/0 dark gray
3.8 x 3.6 x 1.0 – 1.5 (decoration)
Not drawn

54. Net'05 2533/02/04

Impasto
Base fragment
Flat, slightly raised base; inside flattened.
Ext. 5YR 3/1 very dark gray and 5YR 5/6 yellowish red; int. 5YR 5/6 yellowish red; core 5YR 4/1 dark gray
0.8 x 3.6 x 0.4 – 0.4
Not drawn

55. Net'05 2533/02/06

Impasto
Base fragment
Flat base; inside flattened; spreading wall.
Ext. 10YR 4/2 dark grayish brown shifting to 5YR 5/6 yellowish red; int. 7.5YR 4/6 strong brown; core 10YR 4/1 dark gray
2.2 x 4.6 x 1.2 – 1.1; Ø ca. 11.0
Not drawn

56. Net'05 2535/01/08

Impasto
Base fragment
Flat base, inside concave; spreading wall.
Ext. + int. + core between 5YR 5/4 reddish brown and 5YR 4/4 reddish brown
2.2 x 3.5 x 1.1 – 0.8
Not drawn

57. Net'05 4293/02/02

Impasto
Base fragment
Flat base, inside concave; spreading wall.
Ext. + int. between 2.5YR 5/6 red and 2.5YR 4/6 red; core 10YR 4/2 dark grayish brown
2.6 x 2.8 x 2.0
Not drawn

58. Net'05 4293/02/03

Impasto
Base fragment
Flat base, inside concave; spreading wall.
Ext. + int. + core between 2.5YR 5/6 red and 2.5YR 4/6 red
1.6 x 2.4 x 1.9
Not drawn

59. Net'05 4293/02/05

Impasto
Base fragment
Flat base, inside concave; spreading wall.
Ext. 7.5YR 5/4 brown; int. + core 7.5YR 6/4 light brown and 2.5YR 6/8 light red
2.5 x 4.0 x 3.0
Not drawn

60. Net'05 4300/02/01

Impasto
Base fragment
Flat base, inside concave; upright wall.
Ext. 5YR 4/3 reddish brown; int. between 5YR 6/6 reddish yellow and 5YR 4/4 reddish brown; core 7.5YR 4/0 dark gray
1.9 x 3.2 x 1.0 – 0.9; Ø unknown
Not drawn

61. Net'05 4300/02/02

Impasto
Base fragment
Flat base, inside concave; flaring wall.
Ext. + int. between 2.5YR 5/6 en 4/6 red; core 7.5YR 5/4 brown
2.0 x 2.7 x 0.9 – 0.8; Ø unknown
Not drawn

62. Net'05 2540/01/03

Impasto
Base fragment
Flat base, inside concave; spreading wall.
Ext. between 7.5YR 5/4 brown and 7.5YR 4/4 dark brown
2.7 x 4.8 x 1.7 – 2.0; Ø unknown
Not drawn

63. Net'05 2543/01/01

Impasto
Base fragment
Flat base, inside concave; spreading wall.
Ext. + int. 2.5YR 5/6 red; core 7.5YR 5/2 brown shifting to 2.5YR 5/6 red
2.0 x 2.7 x 0.6 – 0.6; Ø unknown
Not drawn

64. Net'05 2544/01/04

Impasto
Base fragment
Flat base, inside concave; spreading wall.
Ext. 7.5YR 6/6 reddish yellow and 7.5YR 7/6 reddish yellow; int. 2.5YR 5/8 red; core 7.5YR 5/2 brown
2.0 x 3.7 x 0.8 – 1.2; Ø unknown
Not drawn

65. Net'05 2544/01/06

Impasto rosso
Base fragment of a bowl?
Flat base, inside concave; flaring wall.
Ext. + int. + core between 7.5YR 7/6 reddish yellow and 7.5YR 6/6 reddish yellow
1.6 x 2.1 x 0.5 – 0.5; Ø unknown
Not drawn

66. Net'05 2548/01/01

Impasto
Base fragment
Flat base; inside is very worn; spreading wall.
Ext. between 2.5YR 4/6 red and 5YR 4/4 reddish brown
2.1 x 3.3 x 1.4 – 1.3; Ø unknown
Not drawn

67. Net'05 4296/02/03

Impasto
Base fragment
Raised Flat base, inside concave; flaring wall.
Ext. 2.5YR 6/8 red and 7.5YR 5/6 strong brown; int. 7.5YR 4/0 dark gray; core 10YR 6/4 light yellowish brown
2.4 x 5.7 x 1.0 – 1.0; Ø 8.0
Not drawn

68. Net'05 4295/02/02

Impasto
Base fragment
Flat base, thickening on the outside and uppercut; spreading wall.
Ext. + int. + core between 2.5YR 6/6 light red and 2.5YR 4/6 red
1.3 x 3.0; Ø 6.0
Not drawn

69. Net'05 4293/01/07

Impasto
Base fragment
Ring-base; pointed lip; inside flattened.
Ext. 10 YR 4/2 dark grayish brown, int. 10 YR 4/2 dark grayish brown and 7.5 YR 5/6 strong brown, core 7.5 YR 5/6 strong brown
2.9 x 3.8 x 1.5 (thickness wall); Ø unknown
Not drawn

70. Net'05 2540/01/02

Impasto

Knob

Concave knob; tapering edge; inside flattened.

Ext. + int. + core between 2.5YR 4/2 weak red and 2.5YR 4/4 reddish brown

2.2 x 3.7 x 1.6 x 0.8 (lip) – 0.5 (wall)

71. Net'05 4295/01/06

Impasto

Miniature base fragment, probably of a jar or a bowl

Flat base, inside concave; flaring wall.

Ext. + int. + core between 2.5YR 5/6 red and 2.5YR 4/6 red

3.3 x 5.4 x 0.9 – 0.7; Ø 2.9

Attema *et al.*, 1985: p. 42, fig. 32b-c, Inv. nr. 10472; Maaskant-Kleibrink, 1992: p. 165, cat. nr. 1435 (590-580/570 BC); Van Loon *et al.*, in prep.: cat.nr. CVlib3128 and 144097**72. Net'05 2535/01/07**

Impasto

Fragment of a spool (rocchetto)

Biconical body, flattened, thickened extremities.

Ext. + int. + core 5YR 4/1 dark gray shifting to between 7.5YR 5/2 brown and 7.5YR 5/4 brown

2.5 x 2.2 – 1.7; Ø 2.4

Attema *et al.*, 2001/2002: p. 353, fig. 18, type XVI-2 (900-600/590BC); Bietti Sestieri, 1992: p. 315, tav. 26, nr. 34a (LP II-III); Maaskant-Kleibrink, 1992: p. 182, cat. nr. 1714 (830-725 BC); Maaskant-Kleibrink, 1992: p. 234, cat. nr. 2534 (725-650 BC); Van Loon *et al.*, in prep.: cat.nr. 144145**73. Net'05 2543/01/02**

Impasto

Spindle whorl

Depressed, faceted spindle whorl; base is flattened.

Ext. 10YR 3/2 very dark grayish brown; slip between 5YR 5/4 reddish brown and 5YR 5/8 yellowish red

2.6 x 2.8 x 1.9-1.7; Ø 0.5 (hole)

Attema *et al.*, 2001/2002: p. 355, fig. 19, type XVII-7 (900-800); Badoni, 2000: p. 122, tav. LXXXII, nr. 4 (625-575BC); Bietti Sestieri 1992: p. 310, tav. 26, nr. 33a-c (LP II-IV); Maaskant-Kleibrink, 1987: p. 220, cat. nr. 1311 (ninth – seventh century BC); Van Loon *et al.*, in prep.: cat.nr. CV18471**74. Net'05 2532/02/07**

Impasto

Fragment of a tile

Rounded internal angle; lip not preserved; rounded external angle.

Ext. + int. + core 5YR 7/6 reddish yellow

6.6 x 4.0 x 1.8 – 2.3

Not drawn

75. Net'05 4295/01/02

Impasto

Fragment of a tile

Internal angle not preserved; irregular shaped lip; external angle is bevelled.

Ext. + int. between 5YR 6/6 reddish yellow and 5YR 5/6 yellowish red; core between 7.5YR 5/2 brown and 7.5YR 5/4 brown

6.0 x 4.2 x ? – 3.4 x 5.4

Not drawn

*Impasto rosso***76. Net'05 4296/01/02**

Impasto rosso

Rim fragment of a holmos?

Straight rim; flat lip.

Ext. + int. between 5YR 6/6 reddish yellow and 5YR 5/6 yellowish red; core 10YR 5/6 yellowish brown

1.8 x 2.9 x 1.5

Not drawn

*Utilitarian pottery***77. Net'05 2532/02/02**

Coarse ware

Rim fragment of a pan

Overhanging rim, flattened on top, decorated with two grooves; convex lip.

Ext. + int. + core 5YR 6/8 reddish yellow

0.8 x 3.7 x 0.5 – 0.6; Ø 24.0

78. Net'05 2533/01/02

Coarse ware

Rim fragment of a bowl

Spreading wall; straight rim; convex lip with a thickening on the outside.

Ext. + int. 2.5 YR 5/6 red, core 10 YR 6/3 pale brown

2.4 x 3.5 x 0.9 – 1.3; Ø 20.0

Not drawn

Olcese, 2003: TAV.VIII, Olla type 3a (200 – 0 BC); same as Net'05 4294/01/04 (site 2, nr. 80)

79. Net'05 2544/01/01

Coarse ware

Rim fragment

Spreading wall; straight rim; convex lip with a thickening on the outside.

Ext. 7/5 YR 4/2 dark brown and 7.5 YR 5/6 strong brown, int. + core 7.5 YR 5/6 strong brown

1.8 x 2.5 x 0.8 – 1.0; Ø 15.0

Olcese, 2003: TAV.VII, Olla type 2 (400 – 200 BC)

80. Net'05 4294/01/04

Coarse ware

Rim fragment of a jar

Flaring wall; straight rim; convex lip with a thickening on the outside (almond rim).

Ext. + int. between 2.5 YR N4/0 dark gray and 2.5 YR N3/0 very dark gray, core between 7.5 YR 5/4 brown and 7.5 YR 4/4 dark brown

3.1 x 2.7 x 0.4 – 1.1; Ø 15.0

Olcese, 2003: TAV.VIII, Olla type 3a (200 – 0 BC)

81. Net'05 2540/01/01

Coarse ware

Almond-rim fragment

Rim thickening on the outside and undercut; pointed lip.

Ext. + int. between 2.5YR 5/6 red and 2.5YR 4/6 red; core 7.5YR 5/4 brown

1.8 x 3.5 x 0.6 – 1.0; Ø unknown

Not drawn

Olcese, 2003: TAV.VIII, Olla type 3a (200 – 0 BC)

82. Net'05 2549/01/07

Coarse ware
Rim fragment
Almond rim; pointed lip.
Ext. between 5YR 6/6 reddish yellow and 2.5YR 5/6 red; int. + core
5YR 4/2 dark reddish gray
2.6 x 2.6 x 1.4
Not drawn
Olcese, 2003: TAV.VIII, Olla type 3a (200 – 0 BC)

83. Net'05 4296/02/02

Coarse ware
Rim fragment
Almond shaped rim; somewhat pointed lip.
Ext. + int. between 5YR 6/6 reddish yellow and 5YR 5/6 yellowish
red; core 7.5YR 5/4 brown
3.4 x 3.2 x 0.8 – 1.6; Ø unknown
Not drawn
Olcese, 2003: TAV.VIII, Olla type 3a (200 – 0 BC)

84. Net'05 4298/01/01

Coarse ware
Rim fragment of a casserole
Flaring wall; out curving rim; somewhat pointed lip with a thickening
on the outside, groove underneath.
Ext. + int. 5 YR 6/6 reddish yellow and 2.5 Y 6/2 light brownish gray
(slip), core 5 YR 6/6 reddish yellow and 10 YR 4/2 dark grayish
brown
2.3 x 3.4 x 0.7 – 1.5; Ø 20.0
Grayish slip

85. Net'05 2535/01/04

Coarse Ware
Rim fragment
Spreading wall; incurving towards an upright rim; convex lip.
Ext. + core between 10YR7/4 very pale brown and 10YR 7/6 yellow;
int. 7.5YR 6/6 reddish yellow
3.6 x 3.2 x 1.3 – 1.6 (transition) – 1.0; Ø unknown

86. Net'05 4296/02/01

Coarse ware
Rim fragment
Straight rim; flattened lip with a thickening on the outside.
Ext. + int. + core 10YR 6/4 light yellowish brown, 10YR 6/6 brownish
yellow and 10YR 5/4 yellowish brown
2.2 x 2.9 x 0.6 – 1.0; Ø unknown
Not drawn

87. Net'05 2532/02/04

Depurated ware
Wall fragment with beginning of handle
Ring handle, rounded in section.
Ext. + int. 5YR 6/6 reddish yellow; core 10YR 6/4 light yellowish
brown
Wall: 4.5 x 5.4; handle: 4.5 x 2.7 x 2.5
Not drawn

*Fine wares***88. Net'05 4295/02/01**

African Red Slip Ware
Rim fragment of a dish
Overhanging rim; somewhat convex on top, decorated with a groove;
convex lip; groove on the outside of the rim.
Ext. + int. + core 5YR 6/6 reddish yellow
0.8 x 3.9 x ? – 0.7; Ø 25.0
Hayes, 1972: Form 6 (AD 75 - 200)

*Miscellaneous***89. Net'05 2534/01/03**

Travertine
Grinding stone
Very worn object; flattened on one side.
Ext. + int. + core 10YR 6/1 gray; core 7.5YR 5/4 brown
5.4 x 5.1 x 4.0
Not drawn

90. Net'05 2535/01/09

Stone
Wall fragment
Not drawn

91. Net'05 2540/01/04

Coarse ware
Oven fragment or waster
Not drawn

Site 15155

Toponym Bonifica Torre di Padiglione
Coordinates X: 309063, Y: 4605134

Topography The site is located at the northern border of a large field about 650 meter east of the village of Torre del Padiglione. The field is bordered to the west by the strada selciatella and to the east by the Fosso delle Pedata.

Survey and sample strategy Block survey; Standard sample (9 catalogued fragments).

Units site 4351-54.

Finds Impasto (incl. dolium); tile (red augite, chiaro sabbioso), depurated ware, amphora, hut loam.

Date Post-archaic/Republican.

*Impasto***1. Net'05 4354/01/02**

Impasto
Base fragment
Flat base; inside flattened; flaring wall.
Ext. + int. between 2.5YR 5/8 red and 2.5YR 5/6 red; core 5YR 6/4 light reddish brown
3.0 x 4.9 x 2.4 – 2.2; Ø unknown
Not drawn

2. Net'05 4354/02/01

Impasto
Base fragment
Ext. + int. between 2.5 YR 5/6 red and 2.5 YR 4/6 red, core between 7.5 YR 5/2 brown and 7.5 YR 5/4 brown
9.4 x 3.7 x 2.7 – 3.0 x 7.1
Not drawn

3. Net'05 4354/01/03

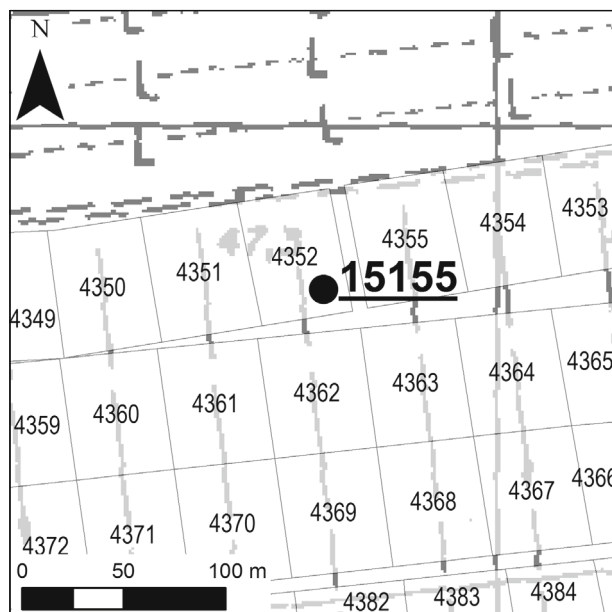
Impasto
Unidentified object
Not drawn

*Tiles***4. Net'05 4354/01/01**

Coarse ware
Fragment of a tile
Rounded internal angle; flattened lip, pointed on the outside; rounded external angle.
Ext. + int. between 5YR 6/4 light reddish brown and 5YR 6/6 reddish brown; core between brown and 10YR 4/2 dark grayish brown
6.2 x 7.4 x 2.1 – 2.6 x 3.9
Not drawn

5. Net'05 4354/01/04

Coarse ware
Fragment of a tile
Only bevelled external angle present.
Ext. + int. between 2.5YR 5/6 red and 2.5YR 4/6 red; core 2.5YR 4/2 weak red and 2.5YR 5/6 red
7.7 x 6.1 x 2.6
Not drawn

**6. Net'05 4354/01/05**

Coarse ware
Fragment of a tile
Sharp internal angle; convex lip; rounded external angle.
Ext. + int. + core 2.5 YR 4/4 reddish brown
7.7 x 4.6 x 2.3 – 1.8 x 5.2
Not drawn

7. Net'05 4354/01/06

Coarse ware
Fragment of a tile
Flattened lip, pointed towards the outside and rounded on the inside; external and internal angle not present.
Ext. + int. between 2.5YR 5/4 reddish brown; core 5YR 4/2 dark reddish gray
5.3 x 2.7 x ? – 2.4 x 6.2
Not drawn

8. Net'05 4354/02/02

Coarse ware
Fragment of a tile
No internal angle or lip visible; rounded external angle.
Ext. + core 2.5YR 5/6 red and 2.5YR 5/4 reddish brown
13.8 x 7.5 x 3.0 – (ca.) 2.4 x 4.5
Not drawn

9. Net'05 4354/01/07

Coarse ware
Fragment of a cover tile
Flattened lip.
Ext. + int. between 2.5YR 5/6 red and 5YR 5/4 reddish brown; core 5YR 4/3 reddish brown
6.7 x 6.0 x 2.4 – 2.2
Not drawn

Site 15144

Toponym Bonifica Torre di Padiglione
Coordinates X: 308794, Y: 4605099

Topography The site is located at the northern border of a large field about 300 meters east of the village of Torre del Padiglione. The field is bordered to the west by the strada selciatella and to the east by the Fosso delle Pedata.

Survey and sample strategy Block survey; Standard diagnostic sample.

Units site 4348-49.

Remarks There is a cluster of tile and basalt in the northern part of the unit.

Finds Tile (impasto chiaro sabbioso and depurated); dolium, coarse and depurated wares, amphora, *terra sigillata*, African red slip ware, hut loam.

Date Certain Late Republican-Mid Imperial occupation; possibly extending into Mid Republican and Late Imperial times.

*Tiles***1. Net'05 4348/06/01**

Coarse ware
Fragment of a tile
No internal angle; flattened lip; rectangular external angle.
Ext. + int. + core 10YR8/4 very pale brown
12.7 x 4.1 x 2.4 – 2.4 x 6.1
Not drawn

2. Net'05 4349/05/04

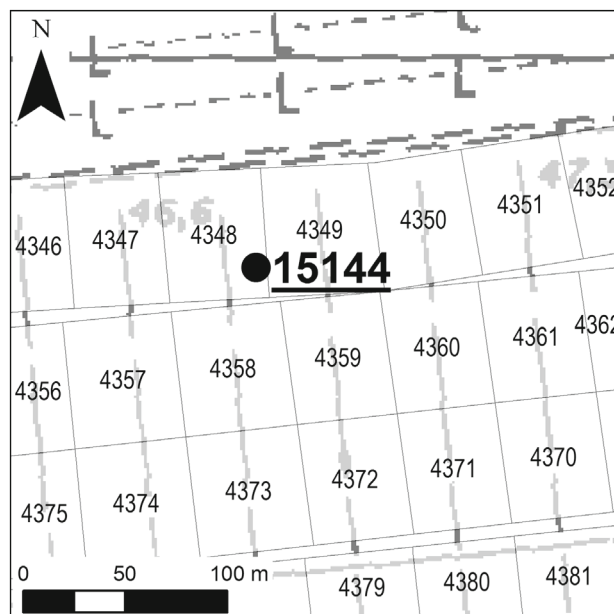
Coarse ware
Fragment of a tile
(Rim is not present).
Ext. + int. + core 7.5YR 7/4 pink
9.3 x 6.0 x 2.9
Not drawn

*Large storage and transport vessels***3. Net'05 4349/01/01**

Impasto
Rim fragment of a *dolium*
Flaring wall; out turning rim with internal angle, flattened on top; pointed lip with a groove underneath on the outside.
Ext. + int. between 5 YR 5/3 reddish brown and 5 YR 5/4 reddish brown
9.2 x 9.6 x 5.0 – 11.5 (rim) – 3.0 (lip); Ø > 50.0
Wenn, 2010: p. 299, form 3

4. Net'05 4349/03/01

Coarse ware
Rim fragment of an amphora
Straight rim, thickening on the outside; convex lip (almond rim).
Ext. + int. + core 7.5YR 7/4 pink
2.8 x 3.6 x 1.0 – 1.8; Ø 16.0
Dressel 2-4 (75 BC – AD 175)

**5. Net'05 4349/04/01**

Depurated ware
Rim fragment of an amphora
Spreading wall; slightly incurving rim; undercut moulding on the outside; convex lip.
Ext. + int. 7.5YR 8/4 pink; core 5YR 8/4 pink
4.5 x 7.1 x 1.0 – 2.1; Ø 13.0
Gauloise 4 (AD 50 – 300)

6. Net'05 4348/06/14

Coarse ware
Neck and handle fragment of an amphora
Vertical band-handle.
Ext. + int. core 5YR 8/3 pink
7.0 x 22.8 (with handles) x 1.0; Ø 7.0 (neck), band-handle 4.0 x 3.1
Not drawn

7. Net'05 4349/05/01

Depurated ware
Handle fragment of an amphora
Vertical, ribbed band-handle.
Ext. + int. + core 7.5YR 8/4 pink
11.5 x 5.0 – 5.5 x 2.0 x 2.5
Gauloise 4 (AD 50 – 300)

8. Net'05 4348/06/07

Coarse ware
Handle fragment
Vertical band handle with shallow grooves on the inside.
Ext. + int. + core between 7.5 YR 7/4 and 6/4
7.5 x 3.8 x 1.5
Not drawn

*Utilitarian pottery***9. Net'05 4348/06/06**

Coarse ware
Fragment of the rim and base of a plate
Flat base; inside flat; incurving rim towards an upright edge; convex lip.
Ext. + int. 5YR 8/4 pink and 10 YR 6/2 light brownish gray, core 2.5 YR 6/8
2.8 x 5.3 x 1.2 – 0.7; Ø 20

10. Net'05 4348/06/05

Coarse ware

Rim fragment of a jug

Two step flaring rim; tapering lip which is thickened on the inside.

Inside of the lip is decorated with several impressions (branches?).

Exterior and interior: 2.5YR 5/8 red, core: 2.5YR 5/6 red

1.1 x 5.5 x 0.6; Ø 10.0

11. Net'05 4348/05/01

Coarse ware

Rim fragment

Flaring wall; out curving rim; convex lip.

Ext. + int. + core 5 YR 6/8 reddish yellow and 5 YR 6/2 pinkish gray

1.3 x 2.5 x 0.6 – 0.8; Ø 30.0

12. Net'05 4348/06/10

Coarse ware

Rim fragment

Overhanging rim with internal angle, rim flattened on top; convex lip.

Ext. + int. + core between 2.5YR 6/6 light red and 2.5YR 5/6 red

1.0 x 1.7 x 0.6 – 0.7 - 0.9 (overhanging rim); Ø unknown

13. Net'05 4348/06/03

Coarse ware

Rim fragment

Out turning (overhanging) rim; convex lip with a groove on the inside.

Ext. + int. + core 5YR 7/6 reddish yellow

0.9 x 2.9 - 0.5; Ø 18.0

14. Net'05 4349/05/13

Coarse ware

Rim fragment of a pan

Spreading wall; lip with a thickening on the outside and on top a groove to receive a lid.

Ext. + int. 2.5 YR 5/6 red; core 2.5 YR 5/6 red and 7.5 YR 5/2 brown

1.4 x 2.1 x 0.8 – 0.9; Ø 15.0

Olcese, 2003: TAV.XIV, Tegame type 2 (200 – 100 BC)

15. Net'05 4349/05/12

Coarse ware

Rim fragment

Incurving shoulder; straight rim; lip with a thickening on the outside, flattened on top.

Ext. + int + core between 2.5 YR 5/6 red and 2.5 YR 5/8 red

1.4 x 2.5 x 0.5 – 1.1; Ø 8.0

16. Net'05 4349/05/08

Coarse ware

Rim fragment

Incurving rim, thickening on the in- and outside; pointed lip.

Ext. + int. + core between 2.5YR 6/6 light red and 2.5YR 6/8

2.3 x 7.0 x 0.4 – 1.7; ca. Ø 25.0

17. Net'05 4349/05/07

Coarse ware

Rim fragment

Incomplete rim; pointed lip with a thickening on the outside, with one groove in the middle and one underneath the thickening.

Ext. + int. + core between 7.5 YR 7/6 reddish yellow and 7.5 YR 6/6 reddish yellow

1.3 x 3.2 – 1.0; Ø 8.0

18. Net'05 4348/06/15

Coarse ware

Knob of a lid

Irregular shaped knob, flattened top.

Ext. + int. + core between 5YR 7/6 reddish yellow and 5YR 6/4 light reddish brown

3.2 x 6.1 x 1.2 – 1.2; Ø oval 4.2 x 3.1

19. Net'05 4348/06/16a+b

Coarse ware

Handle fragment

Vertical ribbed band-handle.

Ext. + int. + core between 5YR 6/8 and 7/6 reddish yellow

5.9 x 2.7 – (1.0 – 0.8 – 1.3)

Not drawn

20. Net'05 4349/05/06

Coarse ware

Handle fragment

Slightly ribbed band-handle.

Ext. + int. 5YR 7/6 reddish yellow; core 2.5YR 6/2 light brownish gray

3.4 x 2.9 x 1.0

Not drawn

21. Net'05 4348/06/02

Coarse ware

Base fragment

Flat base, inside concave; spreading wall.

Ext. 5YR 6/6 reddish yellow and 5YR 4/1 dark gray; int. + core 5YR 6/6 reddish yellow

1.6 x 4.8 x 0.8 – 0.7; Ø 5.0

Not drawn

22. Net'05 4349/05/02

Depurated ware

Rim fragment

Almost upright wall with a rounded transition to the upright rim; convex lip with a groove on the inside.

Ext. + int. between 7.5 YR 7/4 pink and 7.5 YR 7/6 reddish yellow, core 7.5 YR N6/0 gray and 7.5 6/2 pinkish gray

2.8 x 3.7 x 1.3 – 0.7; Ø 12.0

23. Net'05 4349/02/04

Depurated ware

Base fragment

Flat base, two circular grooves on the inside; spreading wall.

Ext. + int. + core between 7.5 YR 7/6 reddish yellow and 7.5 YR 6/6 reddish yellow

4.0 x 2.7 x 1.3 – 0.9; Ø 6.0 (base-ring)

Not drawn

24. Net'05 4348/06/04

African cookware

Rim fragment of a casserole

Flaring wall with four grooves on the inside; slightly incurving rim, thickening on the outside and undercut; pointed lip with groove to receive a lid on top.

Ext. 7.5YR 8/4 pink shifting to 7.5YR 8/6 reddish yellow; int. + core 2.5YR 6/6 light red

2.6 x 4.4 x 0.4 – 0.9; Ø 19.0

Hayes, 1972: form 197 (AD 150 - 300)

25. Net'05 4348/05/02

African cookware

Rim fragment of a casserole

Spreading wall; upright rim with a thickening on the outside and a groove underneath, convex lip with a groove to receive a lid on top.

Ext. 7.5 YR 7/6 reddish yellow and 7.5 YR N5/0 gray, int. + core 5 YR 7/6 reddish yellow

1.3 x 2.4 x 0.4 – 0.8; Ø 17.0

Not drawn

Hayes, 1972: form 197 (AD 150 - 300); Same shape as Net'05 4348/06/04 (site 15144, nr. 24)

26. Net'05 4349/05/03

African cookware
Rim fragment of a casserole
Flaring wall, with grooves on inside; straight rim, thickening on the outside and undercut; lip with a groove to receive a lid on top.
Ext. 7.5YR 7/4 pink; int. + core 5YR 7/6 reddish yellow; blackening on the outside 7.5YR 4/0 dark gray
3.3 x 4.7 x 0.5 – 1.2; Ø ca. 20.0
Hayes, 1972: form 197 (AD 150 - 300); Same shape as Net'05 2536/02/01 (Padiglione off-site, nr. 4)

27. Net'05 4348/06/11

African cookware
Rim fragment of a casserole
Spreading wall; straight rim; convex lip thickened on the inside and undercut. Slip is worn off for the most part.
Slip: 10R 4/8 red, Exterior: 5YR 6/6 reddish yellow, interior: 2.5YR 6/8 light red, core: 2.5YR 6/8: light red
2.6 x 3.0 x 0.6 (wall) - 0.75 (lip); Ø 22.0
Hayes, 1972: form 23b (AD 150 – 400)

28. Net'05 4348/05/04

African cookware
Rim fragment of a casserole
Spreading wall; upright rim; convex lip with a small thickening on the inside.
Ext. 7.5 YR N5/0 gray, int. 2.5 YR 6/8 light red, core 5 YR 7/6 reddish yellow.
2.3 x 2.4 x 0.6 – 0.8; Ø 20.0
Not drawn
Hayes, 1972: form 23b (AD 150 - 400); Same shape as Net'05 4348/06/11 (site 15144, nr.27)

29. Net'05 4349/05/09

African cookware
Rim fragment of a casserole
Flaring wall; slightly incurving rim; lip is thickening on the inside and undercut, outside lip is somewhat pointed.
Ext. + int. + core between 2.5YR 6/6 light red and 2.5YR 6/8
2.2 x 2.5 x 0.6 – 0.7; Ø 23.0
Hayes, 1972: form 23b (AD 150 - 400); Same shape as Net'05 4348/06/11 (site 15144, nr. 27)

30. Net'05 4348/06/08

African cookware
Rim fragment of a lid
Spreading wall with several grooves on in- and outside; straight rim, somewhat thickened on the outside; convex lip.
Ext. + int. 7.5YR 8/0 white shifting to 5YR 7/4 pink; core 7.5YR 8/2 pinkish white shifting to 5YR 7/6 reddish yellow
2.3 x 3.3 x 0.5 – 0.7; Ø unknown
Hayes, 1972: form 196 (AD 150 - 250)

31. Net'05 4349/05/05

African cookware
Rim fragment of a lid
Straight rim; lip slightly thickening on the inside.
Ext. + int. + core 2.5YR 6/6 light red shifting to 7.5YR 7/6 reddish yellow
1.5 x 3.5 x 0.5 – 0.9; Ø 25.0
Not drawn
Hayes, 1972: form 196 (AD 150 - 250); Same shape as Net'05 2944/01/01 (Campoverde off-site, nr. 4)

32. Net'05 4349/02/03

African cookware
Fragment of a lid
Spreading wall; upright rim, convex lip with a small thickening on the outside and a soft angular transition to the wall on the inside.
Ext. 5 YR 7/6 reddish yellow, int. + core 2.5 YR 6/8 light red
1.5 x 2.0 x 0.7 – 0.9; Ø 15.0
Not drawn
Hayes, 1972: form 196 (AD 150 - 250); Same shape as Net'05 2944/01/01 (Campoverde off-site, nr. 4)

33. Net'05 4348/06/12

African cookware
Rim fragment of a lid
Spreading wall with several shallow grooves on the outside; straight rim; lip thickened on the outside.
Ext. between 2.5 YR 6/8 light red and 5YR 7/6 reddish yellow, and 7.5 YR 7/6 reddish yellow; int. + core between 2.5 YR 6/8 light red and 5YR 7/6 reddish yellow
2.6 x 2.7 x 0.6 – 1.0; Ø 22.0
Hayes, 1972: form 185 (AD 175 – 250)

34. Net'05 4348/05/05a-b

African cookware
Rim fragment of a lid
Spreading wall; straight rim; convex lip with a thickening on the outside.
Ext. 7.5 YR 7/4 pink and between 5 YR 7/6 reddish yellow and 5 YR 6/6 reddish yellow, int. + core between 5 YR 7/6 reddish yellow and 5 YR 6/6 reddish yellow
1.6 x 5.0 x 0.6 – 0.9; Ø 25.0
Not drawn
Hayes, 1972: form 185 (AD 175 – 250); Same shape as Net'05 4348/06/12 (site 15144, nr. 33)

*Fine wares***35. Net'05 4349/02/01**

Terra sigillata
Rim fragment
Spreading wall; slightly out curving rim; convex lip with a thickening on the outside; the exterior of the wall is decorated with parallel vertical grooves, bordered above with a line of circular impressions.
Ext. + int. (slip) 2.5 YR 4/8 red, ext. + int. + core 5 YR 8/4 pink
2.4 x 4.6 x 0.8 – 0.9; Ø 25.0
Ettlinger *et al.* 1990: form 38 (30 BC – AD 20)

36. Net'05 4348/05/03

African red slip ware
Rim fragment of a bowl
Flaring wall; straight rim with two grooves on the outside, one with a rouletted band; convex lip, flattened on top.
Ex. 2.5 YR 6/8 light red, int. 2.5 YR 6/8 light red and 7.5 YR 5/2 brown, core 5 YR 6/6 reddish yellow
2.6 x 2.3 x 0.5 – 0.8; Ø 20.0
Hayes, 1972: form 9a (AD 100 - 200)

37. Net'05 4348/06/13

African red slip ware
Rim fragment of a bowl
Straight wall; convex lip, thickening on the outside with a groove underneath, rouletted decoration band.
Ext. + int. between 2.5 YR 6/8 light red and 2.5 YR 5/8 red, core 2.5 YR 6/8 light red
1.9 x 2.7 x 0.7 – 0.8, Ø 18
Not drawn
Hayes, 1972: form 9a (AD 100 - 200); Same shape as Net'05 4348/05/03 (site 15144, nr. 36)

38. Net'05 4348/06/09

African red slip ware

Rim fragment of a bowl

Flaring wall; straight rim with two grooves on the outside; the lip is slightly thickened on the outside.

Ext. + int. + core 2.5 YR 6/8 light red

3.0 x 2.6 x 0.5 – 0.8; Ø 18.0

Hayes, 1972: form 9b (AD 150 - 225)

39. Net'05 4349/02/02

African red slip ware

Base fragment

Cylindrical base-ring; edge bevelled on the inside; outside flattened; convex lip with a small thickening on the outside; upright rim; spreading wall.

Ext. + int. + core 2.5 YR 6/8 light red

1.7 x 4.1 x 0.5 – 0.8; Ø 6.0 (base-ring)

Not drawn

40. Net'05 4349/05/11

Depurated ware

Base fragment

Base fragment, wall only partially present. Angular transition to the straight wall; decoration of irregular grooves on top.

Ext. + int. + core 2.5 YR 8/2 white

1.3 x 2.7; Ø 12.0

Imitation of Hayes, 1972: form 20 (AD 100 – 150)

41. Net'05 4349/05/10

Depurated ware

Base fragment

Base fragment with a straight wall; upright rim; convex lip. Angular transition to the straight wall; decoration of irregular grooves on top.

Ext. + int. + core 2.5 YR 8/2 white

1.1 x 3.3 x 0.2 – 0.3; Ø 10.0

Not drawn

Imitation of Hayes, 1972: form 20 (AD 100 – 150); Same shape as Net'05 4349/05/11 (Site 15144, nr. 40)

Site 15156

Toponym	Bonifica Torre di Padiglione
Coordinates	X: 308532, Y: 4604654
Topography	The site is located along the strada selciatella, about 400 m south of the village of Torre del Padiglione.
Survey and sample strategy	Block survey; Standard, diagnostic en total sample (43 catalogued fragments). 2557.
Units site	2557.
Remarks	At the south western margin of the unit a strong concentration of Roman fine ware is visible with a diameter of approximately 10m. Due to the lack of diagnostic materials in the standard sample, the site is not visible on the distribution maps.
Finds	tile (red augite, impasto chiaro sabbioso and depurated), coarse and depurated wares (incl. impasto chiaro sabbioso pottery), amphora, <i>terra sigillata</i> , African red slip ware, grinding stone, roman glass, flint.
Date	Certain occupation in Early and Mid-Imperial period; possible activity in (Late) Republican and Late Imperial times.

Tiles**1. Net'05 2557/02/07**

Coarse ware
Fragment of a tile

-
Ext. + int. 7.5YR 7/6 reddish yellow; core 2.5YR 6/6 light red
10.1 x 6.0 x 2.2 – 2.9 x 3.4
Not drawn

2. Net'05 2557/04/10

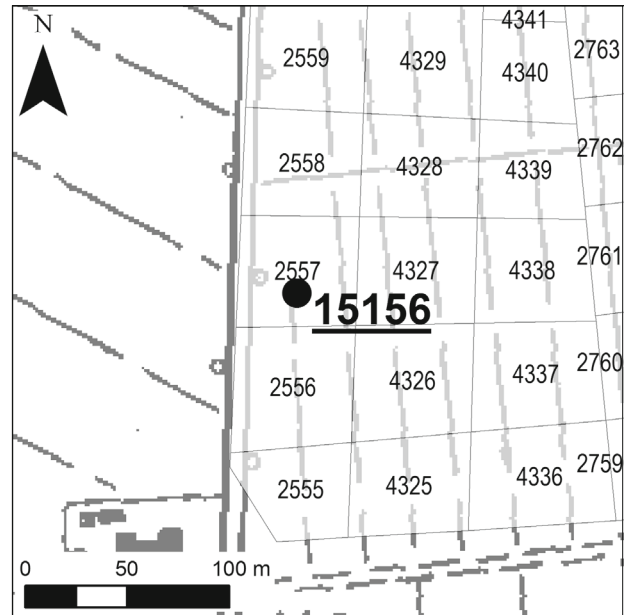
Coarse ware
Rim fragment of a tile
Internal angle not present; flattened lip; external angle is bevelled.
Ext. + int. between 7.5YR 8/4 and 7/4 pink; core 5YR 8/3 pink
6.8 x 3.3 x ? – 3.0 x 4.9
Not drawn

3. Net'05 2557/04/12

Depurated ware
Fragment of a tile
Rounded internal angle; flattened lip; angular external angle.
Ext. + int. + core between 7.5YR 7/6 and 6/6 reddish yellow
6.2 x 5.9 x 2.6 – 2.5 x 5.6
Not drawn

Large storage and transport vessels**4. Net'05 2557/06/02**

Coarse ware
Rim fragment of an amphora
Almost upright rim, thickening on the outside; convex lip.
Ext. + int. + core between 5YR 8/4 and 7/4 pink
4.4 x 7.1 x 0.8 – 1.6; Ø 13.0
Dressel 2-4 (75 BC – AD 175)

**5. Net'05 2557/07/06**

Coarse ware
Rim fragment of an amphora
Spreading wall; straight rim, thickening on the outside and undercut; convex lip.
Ext. 5YR 8/3 pink; Int. + core between 2.5YR 6/6 light red and 5YR 8/3 pink
4.0 x 6.3 x 0.9 – 1.7; Ø 12.5
Dressel 2-4 (75 BC – AD 175)

6. Net'05 2557/07/07

Coarse ware
Rim fragment of an amphora
Somewhat spreading wall; straight rim, thickening on the outside; convex lip.
Ext. + int. + core 5YR 7/8 reddish yellow
3.2 x 6.9 x 0.6 – 1.8; Ø 10.0
Dressel 2-4 (75 BC – AD 175)

7. Net'05 2557/07/11

Coarse ware
Rim fragment of an amphora
Out turning rim; lip is thickened on the outside.
Ext. + int. + core between 5YR 6/4 light reddish brown and 5YR 6/6 reddish yellow
3.5 x 6.1 x 1.3 (rim) – 2.2; Ø 20.0

8. Net'05 2557/07/09

Coarse ware
Fragment of a handle
Vertical band-handle, somewhat irregularly shaped.
Ext. + int. + core between 7.5 YR 7/6 reddish yellow and 7.5 YR 6/6 reddish yellow
8.0 x 4.6 x 2.2
Not drawn

9. Net'05 2557/07/10

Coarse ware
Handle fragment
Vertical band-handle, one ridge in the middle of the handle; irregular in section.
Ext. + int. 5YR 6/6 reddish yellow; core 5YR 6/6 reddish yellow shifting to 7.5YR 6/2 pinkish gray
9.8 x 3.1 x (min. 1.5 – max. 2.3)
Not drawn

*Utilitarian pottery***10. Net'05 2557/02/05**

Coarse ware

Rim fragment of a jug

Incomplete neck; lip with a thickening on the in- and outside, flattened on top.

Ext. between 5 YR 6/8 reddish yellow and 5YR 5/8 red, int. 7.5 YR 7/6 reddish yellow, core 7.5 YR 5/2 brown, 10 YR 5/2 grayish brown.

2.9 x 4.1 x 0.6 – 1.2; Ø 5.0

11. Net'05 2557/07/13a+b

Coarse ware

Rim fragment of a pentola

Incurving shoulder; out turning, overhanging rim, somewhat thickening on the inside; slightly concave top; convex lip.

Ext. + int. 2.5YR 6/8 light red; core 7.5 YR 5/2 brown shifting to 2.5YR 6/8 light red

2.8 x 7.9 x 0.4 – (overhanging rim 2.1) – 0.6

Olcese, 2003: TAV.IV, Pentola type 4 (AD 0 – 150); Similar example in Tol, 2012: TAV.IV-XVIII.23

12. Net'05 2557/02/03

Coarse ware

Rim fragment of a pentola

Incurving wall; out turning, overhanging rim; almost flattened on top.

Ext. + int. 5YR 6/6 reddish yellow; core 2.5YR 5/6 red

1.3 x 3.8 x 0.4 – (overhanging rim 2.1) – 0.6; Ø 22.4

Olcese, 2003: TAV.III, Pentola type 3a (AD 0-125)

13. Net'05 2557/07/04

Coarse ware

Rim fragment

Wall hardly visible; slightly incurving rim; flattened lip with a thickening on the outside.

Ext. between 7.5 YR 5/2 brown and 7.5 YR 4/2 brown, 2.5 YR 5/6 red, int. + core 2.5 YR 5/6 red

1.5 x 3.6 x 0.7 – 1.2; > Ø 25.0

14. Net'05 2557/04/01

Coarse ware

Rim fragment

Out turning rim; flattened lip.

Ext. + int. 5YR 7/8 reddish yellow; core 5YR 5/1 gray

2.1 x 3.0 x 0.7 -1.2; Ø unknown

15. Net'05 2557/04/09

Coarse ware

Unidentified object; possibly a rim fragment

Not drawn

16. Net'05 2557/04/11

Depurated ware

Wall fragment with fragment of a handle attached

Ribbed band-handle.

Ext. + int. + core between 7.5YR 8/6 and 7/6 reddish yellow

Wall: 6.6 x 4.2; handle: 3.7 x 4.3 x (1.2 – 1.7)

Not drawn

17. Net'05 2557/02/06

Depurated ware

Base fragment

Base-ring; somewhat flattened lip.

Ext. + int. + core 7.5YR 8/4 pink

2.4 x 5.8 x 1.2

Not drawn

18. Net'05 2557/02/04

African cookware

Rim fragment of a casserole

Spreading wall, five shallow horizontal grooves on the inside; upright rim; thickening on the outside, groove to receive a lid on top.

Ex. between 7.5 YR 8/4 pink and 7.5 YR 7/4 pink, int. + core 5 YR 7/6 reddish yellow and 5 YR 6/6 reddish yellow

3.4 x 3.4 x 0.9 – 1.5; Ø 30.0

Hayes, 1972: form 197 (AD 150 - 300)

19. Net'05 2557/03/01

African cookware

Rim fragment of a casserole

Wall hardly visible; rim with a thickening on the outside with a small groove underneath; convex lip with a groove to receive a lid on top.

Ext. 10 YR 7/6 yellow and 10 YR 4/1 dark gray and 2.5 YR 6/8 light red, int. + core 2.5 YR 6/8 light red

1.5 x 2.9 x 0.7 – 1.2; Ø 20.0

Not drawn

Hayes, 1972: form 197 (AD 150 - 300); Same shape as Net'05 2557/02/04 (site 15156, nr. 18)

20. Net'05 2557/03/04

African cookware

Rim fragment of a casserole

Spreading wall; upright rim with a thickening on the outside with a groove underneath, convex lip with a groove to receive a lid on top.

Ext. + int. + core between 5 YR 7/4 pink and 5 YR 7/6 reddish yellow

1.7 x 3.1 x 0.5 – 1.1; Ø 25.0

Not drawn

Hayes, 1972: form 197 (AD 150 - 300); Same shape as Net'05 2557/02/04 (site 15156, nr. 18)

21. Net'05 2557/04/06

African cookware

Rim fragment of a casserole

Spreading wall, with shallow horizontal grooves on the inside; upright rim with a thickening on the outside with a groove underneath; lip with a groove to receive a lid on top.

5 YR 6/6 reddish yellow, int. + core 2.5 YR 6/8 light red

1.7 x 3.5 x 0.4 – 1.0; Ø 25.0

Not drawn

Hayes, 1972: form 197 (AD 150 - 300); Same shape as Net'05 2557/02/04 (site 15156, nr. 18)

22. Net'05 2557/04/13

African cookware

Wall fragment of a casserole

Carenated wall, parallel grooves on the outside of the wall below the carena.

Ext. 7.5YR 7/6 reddish yellow and 5YR 6/6 reddish yellow; int. + core 5YR 6/6 reddish yellow

2.6 x 4.9 x 0.4 – 0.7 (carena)

Not drawn

Hayes, 1972: form 197 (AD 150 – 300); Same shape as Net'05 2557/02/04 (site 15156, nr. 18)

23. Net'05 2557/07/03

African cookware

Rim fragment of a casserole

Wall hardly visible; upright rim, undercut thickening on the outside; lip with a groove to receive a lid on top.

Ext. 5YR 7/6 reddish yellow and 5YR 4/2 dark reddish gray; int. + core between 5YR 7/6 reddish yellow and 5YR 6/6 reddish yellow

1.5 x 1.9 x 0.5 – 1.2; Ø 20.0

Not drawn

Hayes, 1972: form 197 (AD 150 - 300); Same shape as Net'05 2557/02/04 (site 15156, nr. 18)

24. Net'05 2557/07/08

African cookware
Rim fragment of a casserole
Flaring wall; straight rim; convex lip with a thickening on the inside.
Ext. between 5YR 7/6 reddish yellow and 5YR 6/6 reddish yellow, int.
2.5YR 6/8 light red and 5YR 7/6, core 2.5YR 6/8 light red
2.5 x 3.2 x 0.6 – 0.8; Ø 25.0
Hayes, 1972: form 23b (AD 150 - 400)

25. Net'05 2557/04/04

African cookware
Rim fragment of a casserole
Flaring wall; straight rim; convex lip with a thickening on the inside
and a shallow groove underneath.
Ext. + int. + core between 2.5 YR 6/6 light red and 2.5 YR 6/8 light red
2.7 x 2.5 x 0.6 – 0.8; Ø 24.0
Not drawn
Hayes, 1972: form 23b (AD 150 - 400); Same shape as Net'05
2557/07/08 (site 15156, nr. 24)

26. Net'05 2557/07/05

African cookware
Rim fragment of a casserole
Flaring wall; straight rim; convex lip with a thickening on the inside.
Ext. + int. 7.5YR 7/6 reddish yellow and 5YR 7/6 reddish yellow, core
between 5YR 7/6 reddish yellow and 5YR 7/8 reddish yellow
2.2 x 3.6 x 1.0 – 0.6; Ø 23.0
Not drawn
Hayes, 1972: form 23b (AD 150 - 400); Same shape as Net'05
2557/07/08 (site 15156, nr. 24)

27. Net'05 2557/04/08

African cookware
Rim fragment of a lid
Spreading wall; straight rim, thickening on the outside; convex lip,
slightly pointed towards the inside.
Ext. + int. + core between 2.5YR 6/6 light red and 5YR 7/4 pink
4.0 x 4.0 x 0.6 – 0.9; Ø unknown
Hayes, 1972: form 196 (AD 150 - 250)

28. Net'05 2557/02/02

African cookware
Fragment of a large lid
Spreading wall; upright rim; lip with a thickening on the outside.
Ext. + int. between 5 YR 8/4 pink and 5 YR 7/6 reddish yellow, core 5
YR 6/6 reddish yellow
1.7 x 2.8 x 0.7 – 0.9; Ø 20.0
Not drawn
Hayes, 1972: form 196 (AD 150 - 250); Same shape as Net'05
2557/04/08 (site 15156, nr. 27)

29. Net'05 2557/03/03

African cookware
Rim fragment of a lid
Straight rim; convex lip.
Ext. + int. + core 5YR 7/4 pink shifting to 7.5 YR 7/4 pink
1.3 x 2.3 x 0.7 – 0.8; Ø unknown
Not drawn
Hayes, 1972: form 196 (AD 150 - 250); Same shape as Net'05
2557/04/08 (site 15156, nr. 27)

30. Net'05 2557/03/06

African cookware
Rim fragment of a lid
Straight rim, thickening towards the lip; convex lip.
Ext. 7.5YR 8/3 pink; int. + core 5YR 7/6 reddish yellow
1.9 x 2.7 x 0.6 – 0.9; Ø ca. 27.0
Not drawn
Hayes, 1972: form 196 (AD 150 - 250); Same shape as Net'05
2557/04/08 (site 15156, nr. 27)

31. Net'05 2557/04/02

African cookware
Rim fragment of a lid
Straight rim; thickening towards a somewhat flattened lip.
Ext. + int. + core 5YR 8/4 pink shifting to 7.5YR 5/2 brown
1.1 x 2.1 x 0.5 – 0.8; Ø unknown
Not drawn
Hayes, 1972: form 196 (AD 150 - 250); Same shape as Net'05
2557/04/08 (site 15156, nr. 27)

32. Net'05 2557/04/03

African cookware
Fragment of a lid
Flaring wall; upright rim; lip is flattened on top with a soft angle on the
inside towards the wall.
Ext. + int. + core 2.5 Y 6/8 light red
1.4 x 2.7 x 0.6 – 0.8; Ø 18.0
Not drawn
Hayes, 1972: form 196 (AD 150 - 250); Same shape as Net'05
2557/04/08 (site 15156, nr. 27)

33. Net'05 2557/04/14

African cookware
Rim fragment of a lid
Spreading wall, straight rim, somewhat thickening on the outside;
convex lip.
Ext. + int. 5YR 7/4 pink; core between 2.5YR 6/6 light red and 5YR
7.4 pink
1.8 x 2.4 x 0.6 – 1.0; Ø ca. 20.0
Not drawn
Hayes, 1972: form 196 (AD 150 - 250); Same shape as Net'05
2557/04/08 (site 15156, nr. 27)

34. Net'05 2557/06/01

African cookware
Rim fragment of a lid
Somewhat out curving rim, thickening towards the lip; convex lip.
Ext. + int. + core 5YR 6/6 reddish yellow
1.5 x 4.1 x 0.4 – 0.8; Ø 17.0
Not drawn
Hayes, 1972: form 196 (AD 150 - 250); Same shape as Net'05
2557/04/08 (site 15156, nr. 27)

35. Net'05 2557/07/01

African cookware
Rim fragment of a lid
Somewhat flaring wall; straight rim, slightly thickened on the outside;
lip is pointed on the inside.
Ext. 2.5YR 6/8 light red and 5YR 8/4 pink; int. + core 2.5YR 6/8 light
red
2.2 x 5.6 x 0.5 – 1.0; Ø 27.0
Not drawn
Hayes, 1972: form 196 (AD 150 - 250); Same shape as Net'05
2557/04/08 (site 15156, nr. 27)

*Fine wares***36. Net'05 2557/07/12a+b**

Terra Sigillata
Rim fragment of a bowl
Spreading wall; straight rim; lip with a thickening on the outside.
Slip: 2.5YR 4/8 red; core 5YR 7/4 pink
3.3 x 3.9 x 0.45 – 0.3; Ø 15.0
Two refitted fragments
Ettlinger *et al.*, 1990: form 3 (AD 50 – 100)

37. Net'05 2557/04/05

Terra sigillata
Shape unknown
Not drawn, very worn.

38. Net'05 2557/02/01

Terra Sigillata
Base fragment
Straight rim; convex lip.
Ext. + int. (slip) 2.5 YR 4/8 red, core 5 YR 8/4 pink
1.4 x 3.0 x 1.1 – 0.4; Ø 4.0 (base-ring)
Not drawn

39. Net'05 2557/04/07

African red slip ware
Rim fragment of a dish
Overhanging rim; convex on top; convex lip.
Ext. + int. + core 2.5YR 6/8 light red
1.1 x 3.5 x ? – 0.7; Ø 28.0
Hayes, 1972: form 3c (AD 100 - 150)

40. Net'05 2557/03/02

African red slip ware
Rim fragment of a bowl
Incurving rim; on outside rouletted decoration between two grooves;
lip is somewhat pointed on the inside.
Ext. + int. + core 5YR 7/6 reddish yellow
2.5 x 3.0 x 0.5 – 0.9; Ø 21.0
Hayes, 1972: form 9a (AD 100 - 200)

41. Net'05 2557/07/02

African red slip ware
Rim fragment of a bowl
Straight wall; slightly incurving rim; convex lip with a thickening on the outside.
Int. + ext. + core 2.5 YR 6/8 light red
1.6 x 1.2 x 0.5 – 0.7; Ø 10.0
Not drawn
Hayes, 1972: form 9a (AD 100 - 200); Same shape as Net'05 2557/03/02 (site 15156, nr. 40)

42. Net'05 2557/03/05

African red slip ware
Base fragment
Ring-base, convex lip; inside flattened; flaring wall.
Ext. + int. between 7.5YR 7/4 pink and 7.5YR 7/6 reddish yellow;
core 5YR 7/6 reddish yellow
1.5 x 4.3 x 0.5 – 0.5
Not drawn

43. Net'05 2557/03/07

African red slip ware
Unidentified object
Not drawn.

Site 15145

Toponym Bonifica Torre di Padiglione
Coordinates X: 309010, Y: 4604892

Topography The site is located in the middle of a large field about 700 meter south-east of the village of Torre del Padiglione. The field is bordered to the west by the *strada selciatella* en to the east by the *Fosso delle Pedata*.

Survey and sample strategy standard samples and one diagnostic sample (5 catalogued fragments).

Units site 4392-93.

Finds impasto, tile (red augite, chiaro sabbioso and depurated), coarse and depurated wares (incl. chiaro sabbioso pottery), amphora, black glazed ware, grinding stone.

Date Post-archaic/Republican, possibly extending into Early Imperial period.

*Impasto***1. Net'05 4392/04/01**

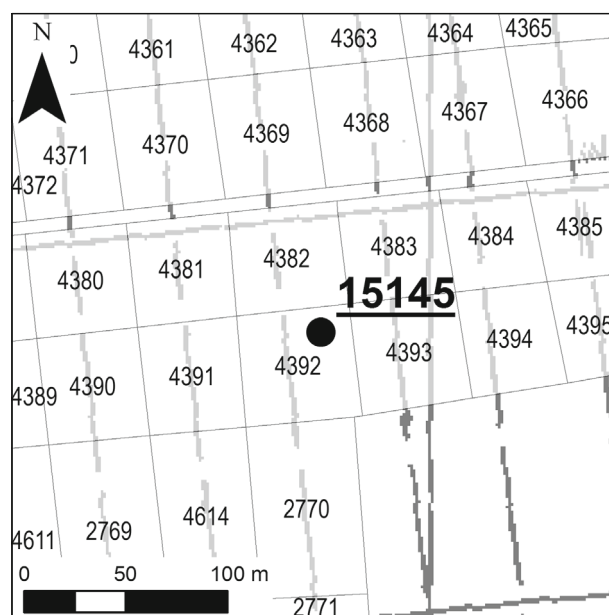
Impasto
Base fragment
Flat base, inside concave; spreading wall.
Ext. 2.5YR 4/4 reddish brown; int. + core 2.5YR 4/2 weak red
2.0 x 6.1 x 1.4 – 0.6; Ø 6.0
Not drawn

*Tiles***2. Net'05 4393/01/02**

Coarse ware
Fragment of a tile
Rounded internal angle; flattened lip; external angle of the lip is faceted.
Ext. + int. + core 2.5YR 5/6 red
7.0 x 6.3 x 2.1 – 2.3 x 3.9
Not drawn

3. Net'05 4392/04/03

Coarse ware
Fragment of a tile
Sharp internal angle; lip outside angular, inside slightly rounded; external angle sharp.
Int. + ext. + core between 5 YR 8/4 pink and 5 YR 7/4 pink
7.1 x 4.1 x 2.0 – 4.2 x 5.3
Not drawn

*Utilitarian pottery***4. Net'05 4392/04/02**

Coarse ware
Rim fragment of a pan
Flaring wall; slightly incurving rim with thickening on the in- and outside; concave lip.
Ext. 5YR 4/1 dark gray and 5YR 5/4 reddish brown; int. + core 5YR 4/1 dark gray
1.5 x 3.5 x 0.5 – 1.2; Ø 24.0
Olcese, 2003: TAV.XVI, Tegame type 7 (200 BC – AD 25). For a close parallel of the rim see Tol, 2012: TAV.IV-XXIX.33.

5. Net'05 4393/01/01

Coarse ware
Knob of a lid
Irregular shaped, biconical knob; inside concave; flattened top.
Ext. + int. + core between 2.5YR 4/2 weak red and 2.5YR 4/4 reddish brown
4.5 x 5.5 – 3.1; Ø 3.0

Site 15157

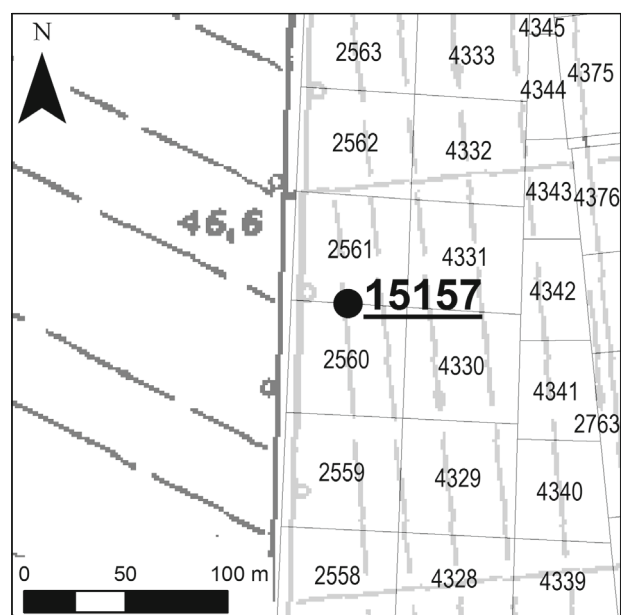
Toponym	Bonifica Torre di Padiglione
Coordinates	X: 308541, Y: 4604842
Topography	The site is located along the strada selciatella, 200m south of the village of Torre del Padiglione.
Survey and sample strategy	Standard samples (2 catalogued fragments).
Units site	2560-61.
Finds	Impasto, Tiles (red augite, chiaro sabbioso and depurated), coarse and depurated wares (incl. single waster), amphora, flint.
Date	Post-archaic/Republican; certain Mid Imperial activity.

*Utilitarian pottery***1. Net'05 2560/01/01**

Coarse ware
Rim fragment
Flaring wall; out curving rim; flattened lip.
Ext. + int. between 10 YR 7/4 very pale brown and 10 YR 7/6 yellow,
core 10 YR 7/1 light gray
2.0 x 3.1 x 0.5 – 0.9; Ø 8.0

2. Net'05 2560/01/02

African cookware
Rim fragment of a casserole
Wall hardly visible; upright rim with a thickening on the outside and a small groove underneath; convex lip with a groove to receive a lid on top.
Ext. 7.5 YR 7/6 reddish yellow, int. + core 5 YR 7/8 reddish yellow
2.0 x 4.0 x 0.8 – 1.2; Ø 30.0
Not drawn
Hayes, 1972: form 197 (AD 150 - 300); Same shape as Net'05 2536/02/01 (Padiglione off-site, nr. 4)



Site 15158

Toponym Bonifica Torre di Padiglione
Coordinates X: 308550, Y: 4605053

Topography The site is located along the strada selciatella, just south of the village of Torre del Padiglione.

Survey and sample strategy Standard samples (4 catalogued fragments).

Units site 2563-65.

Finds impasto, tiles (red augite, chiaro sabbioso, deperated), bricks?, coarse and deperated wares (incl. chiaro sabbioso pottery), amphora.

Date Post-archaic/Republican.

*Impasto***1. Net'05 2564/01/01**

Impasto

Rim fragment of a small bowl

Spreading wall; straight rim; convex lip.

Ext. 2.5YR 5/6 red and 5YR 4/1 dark gray; int. + core 5YR 4/1 dark gray

1.5 x 2.5 x 0.5 – 0.5; Ø unknown

Same shape as Net'05 2532/02/06 (site 15143, nr. 1)

2. Net'05 2564/01/02

Impasto

Rim fragment

Spreading wall; straight rim; convex lip with a small thickening on the outside.

Ext. 2.5 YR 5/4 reddish brown, int. 5 YR 4/2 dark reddish gray, core 2.5 YR 5/6 red

2.4 x 2.0 x 0.6 – 0.7; Ø 15.0

Not drawn

Same shape as Net'05 4295/02/06 (site 15143, nr. 3)

3. Net'05 2564/01/03

Impasto

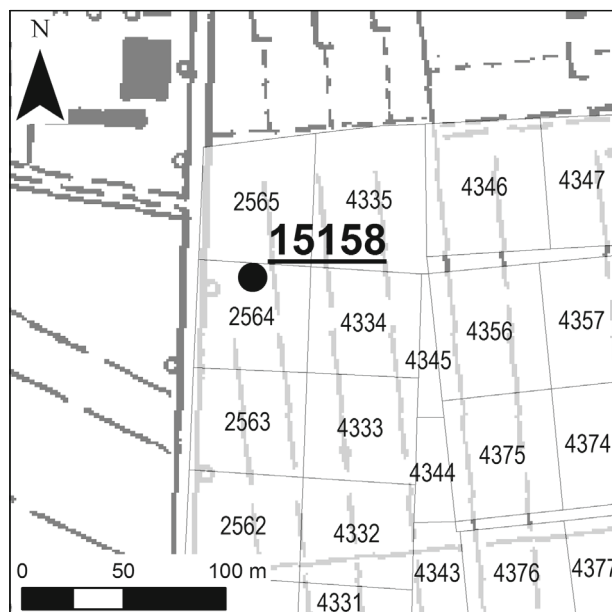
Base fragment

Flat base, inside concave; spreading wall.

Ext. 5YR 5/4 reddish brown; int. between 2.5YR 5/4 and 4/4 reddish brown; core 10YR 4/2 dark grayish brown

2.1 x 3.4 x 1.1 – 1.2; Ø unknown

Not drawn

*Tiles***4. Net'05 2565/01/01**

Coarse ware

Fragment of a tile, possibly a rim fragment of a *dolium*

Internal angle is rounded; lip is not present; external angle is rounded.

Ext. + int. 5YR 6/6 reddish yellow; core 7.5YR 5/2 brown

7.0 x 3.6 x 2.3 – 2.5 x 5.0

Not drawn

Off-Site Material Padiglione survey

1. Net'05 2536/01/01

Impasto
Base fragment
Flat base; inside flattened; spreading wall.
Ext. 2.5YR 5/8 red and 7.5YR 5/6 strong brown; int. + core 7.5YR 4/6 strong brown
3.1 x 4.7 x 1.9 – 1.4; Ø unknown
Not drawn

2. Net'05 2536/01/02

Impasto
Decorated wall fragment
Shallow cord decoration, angular in section.
Ext. + int. 7.5YR 5/4 brown; core 10YR 4/2 dark grayish brown
3.8 x 3.3 x 0.7 – 1.1 (decoration)
Not drawn

3. Net'05 2536/01/03

Impasto
Base fragment
Flaring base; tapering edge.
Ext. 10YR 4/3 dark brown and 10YR 3/2 very dark grayish brown; int. between 10YR 5/4 yellowish brown and 10YR 4/4 dark yellowish brown
2.2 x 4.0 x 0.7 - ? ; Ø ca. 5.0
Not drawn

4. Net'05 2536/02/01

African cookware
Rim fragment of a casserole
Spreading wall; upright rim with a thickening on the outside and a groove underneath; convex lip with a groove to receive a lid on top.
Ext. 7.5 YR 7/6, int. + core between 5 YR 7/6 reddish yellow and 5 YR 7/8 reddish yellow
2.6 x 4.0 x 0.5 – 1.2; Ø 20.0
Hayes, 1972: form 197 (AD 150 - 300)

5. Net'05 2542/01/01

Impasto
Base fragment
Flat base, inside concave; spreading wall.
Ext. + int. + core between 2.5YR 5/6 red and 2.5YR 4/6 red
2.3 x 4.6 x 0.9 – 0.8; Ø unknown
Not drawn

6. Net'05 2542/01/03

Impasto
Base fragment
Flat base; very rounded transition towards an upright wall; inside concave.
Ext. between 2.5YR 5/6 red and 2.5YR 4/6 red; int. 7.5YR 6/6 reddish yellow; core 2.5YR 5/6 red shifting to 7.5YR 4/0 dark gray
2.4 x 3.5 x 0.9 – 0.8; Ø unknown
Not drawn

7. Net'05 2542/01/05

Impasto
Probably fragment of a tile
Lip bevelled on the inside.
Ext. + int. 2.5YR 5/6 red; core 7.5YR 5/4 brown
5.1 x 5.2 x 2.7
Not drawn

8. Net'05 2542/01/06

Impasto
Rim fragment of a *dolium*
Out curving rim, ribbed on top with three encircling ridges; pointed lip.
Ext. + int. 5YR 6/6 reddish yellow; core 5YR 4/1 dark gray
4.7 x 5.1 x 2.2 – 2.0; Ø >35.0
Carafa, 1995: p. 229, tipo 632-4 (600/590-475/450); Maaskant-Kleibrink, 1987: p. 151, cat. nr. 188; Maaskant-Kleibrink, 1992: p. 239, cat. nr. 2612

9. Net'05 2545/01/01

Impasto
Possibly fragment of a ring-base
Ring-base with pointed lip; inside flattened.
Ext. + int. + core 5YR 6/6 reddish yellow
2.0 x 3.3 x ?
Not drawn

10. Net'05 2545/01/02

Impasto
Base fragment
Flat base, inside flattened; spreading wall.
Ext. + int. 2.5YR 5/8 red and 5YR 4/4 reddish brown; core 10YR 6/3 pale brown
1.5 x 4.3 x 1.5 – 1.1; Ø unknown
Not drawn

11. Net'05 2545/01/03

Impasto
Base fragment
Flat base; spreading wall.
Ext. + int. between 5YR 6/6 reddish yellow and 5YR 5/4 reddish brown; core 5YR 4/1 dark gray
3.0 x 3.8 x 0.7 – 0.7; Ø unknown
Not drawn

12. Net'05 2547/01/02

Impasto
Rim fragment of a *dolium*
Incomplete rim, flattened on top; somewhat pointed lip.
Ext + int. 2.5YR 5/6 red; core 2.5YR 5/6 red and 5YR 4/3 reddish brown
4.4 x 7.4 x ? – 3.8; Ø unknown

13. Net'05 2553/01/01

Impasto
Fragment of a lug
Wall fragment with an almost complete lug; rounded in section.
Ext. between 5 YR 5/4 reddish brown and 5 YR 5/6 yellowish red, int. between 10 YR 7/4 very pale brown and 10 YR 6/4 light yellowish brown, core 7.5 YR 5/4 brown
4.9 x 5.2 x 2.9, Ø unknown
Not drawn

14. Net'05 2553/01/02

Impasto
Wall fragment with plastic decoration
Wall fragment with plastic decoration, consisting of a cord, pointed in section, decorated with vertical grooves.
Ext. + core 7.5 YR 5/4 brown, int. 7.5 YR 5/6 strong brown
3.7 x 5.0 x 1.9
Attema *et al.*, 2001/2002: p. 352, fig. 16, type XIV-6 (900-600/590BC); Van Loon *et al.*, in prep.: cat.nr. CVlib2353.

15. Net'05 2553/01/04

Impasto
Base fragment
Flat base; inside flattened; spreading wall.
Ext. 5YR 6/6 reddish yellow; int. + core 7.5YR 7/4 pink
2.0 x 4.6 x 1.4 – 1.0; Ø unknown
Not drawn

16. Net'05 2554/01/01

Impasto
Corner fragment of a tile
Internal angle is rounded; convex lip; angular external angle.
Ext. + int. + core between 2.5YR 4/2 weak red and 2.5YR 4/4 reddish brown
4.9 x 4.7 x 2.3 – 2.4 x 3.3
Not drawn

17. Net'05 2559/01/01

Coarse ware
Spike of an amphora
Flared base, convex edge.
Ext. 5 YR 5/4 reddish brown and 5 YR 4/1 dark gray, core 5 YR 4/2 dark reddish gray
3.3 x 4.0 – Ø 5.2

18. Net'05 2656/01/02

Impasto
Rim fragment of a *dolium*
Probably out curving rim, flattened on top; somewhat pointed lip.
Ext. + int. between 2.5YR 5/6 red and 2.5YR 5.8 red; core 7.5YR 4/2 dark brown
3.9 x 4.7 x 4.1; Ø unknown
Not drawn

19. Net'05 4297/01/01

Impasto
Knob of a lid
Flaring ring with flattened edges; outside concave; inside flattened.
Ext. + int. 5 YR 5/6 yellowish red and 7.5 YR 5/4 brown and 7.5 YR N3/0 very dark gray, core 7.5 YR N3/0 very dark gray and 2.5 YR 5/6 red
3.2 x 5.7 x 1.2 – 1.2; Ø 5.0 (base-ring)
Van Loon *et al.*, in prep.: cat.nr. CVlib2607

20. Net'05 4302/02/01

Impasto
Wall/handle fragment
Ring-handle.
Ext. + int. 2.5YR 5/6 red; core 7.5YR 5/2 brown
Wall: 3.0 x 3.1 x 0.5; handle: 0.6 x 0.7
Not drawn

21. Net'05 4309/01/01

Coarse ware
Fragment of a handle
Irregularly shaped in section.
Ext. + int. + core 10YR 8/3 very pale brown
6.7 x 3.4 x 3.3
Not drawn

22. Net'05 4309/01/02

Impasto
Base fragment
Flat base, inside concave; spreading wall.
Ext. + int. + core between 5YR 5/3 reddish brown and 5YR 5/4 reddish brown
1.5 x 2.9 x 2.3
Not drawn

23. Net'05 4309/01/03

Impasto
Base fragment
Flat base, inside concave; spreading wall.
Ext. + int. + core between 5YR 5/3 reddish brown and 5YR 5/4 reddish brown
1.4 x 2.8 x 2.0
Not drawn

24. Net'05 4311/01/01

Impasto
Fragment of a tile
Rounded internal angle; somewhat rounded lip, external angle is bevelled.
Ext. + int. between 5YR 6/6 reddish yellow and 5YR 5/6 yellowish red; core 7.5YR 5/4 brown and 5/8 strong brown
13.5 x 3.8 x 2.0 – 3.0 x 5.6
Not drawn

25. Net'05 4311/01/02

Impasto
Rim fragment of a bowl
Straight rim, thickening on the inside; convex lip.
Ext. 5YR 5/4 reddish brown; int. 5YR 4/3 reddish brown; core 7.5YR 5/6 strong brown
1.6 x 1.2 x 0.6 – 0.8; Ø unknown
Not drawn
Same shape as Net'05 2532/02/06, site 15143, nr. 1

26. Net'05 4316/01/01

Impasto
Fragment of a handle
Fragment of the upper part of a handle with two horns, horizontal hole below the horns.
Ext. + int. between 7.5YR 6/6 reddish yellow and 7.5YR 5/4 brown; core 10YR 4/1 dark gray
2.1 – 3.2 x 4.7 x 2.9; Ø 0.7 (hole)
Maybe *ansa a rocchetto*, see Negroni Catacchio, 1995: 353, 350 (until the 11th cent. BC).

27. Net'05 4317/01/02

Impasto
Handle attachment
Band handle, oval in section.
Ext. 7.5YR 5/4 very pale brown shifting to 5YR 4/2 dark reddish gray; int. 5YR 4/2 dark reddish gray; core 7.5YR 5/4 brown
3.2 x 4.1 x 2.1 – 1.0
Not drawn

28. Net'05 4317/01/04

Impasto
Handle attachment
Handle irregular in section.
Ext. + int. + core between 2.5YR 5/6 red and 4/6 red
Wall: 3.2 x 2.7, handle: 4.0 x 3.1 x 1.4
Not drawn

29. Net'05 4363/01/01

African cookware
Rim fragment of a casserole
Spreading wall; upright rim with a thickening on the outside, convex lip with a groove to receive a lid on top.
Ext. 10 YR 7/4 very pale brown and 5 YR 7/6 reddish yellow, int. + core between 5 YR 7/6 reddish yellow and 5 YR 6/6 reddish yellow
2.5 x 3.5 x 0.5 – 1.0; Ø 25.0
Not drawn
Hayes, 1972: form 197 (AD 150 - 300); Same shape as Net'05 2536/02/01 (Padiglione off-site, nr. 4)

30. Net'05 4364/01/01

Impasto

Base fragment

Flat base, inside concave; flaring wall.

Ext. 10YR 6/2 light brownish gray and 10YR 5/1 gray; int. 10YR 3/1 very dark gray; core 7.5YR 5/2 brown and 7.5YR 4/2 dark brown

4.1 x 4.4 x 1.7 – 2.1; Ø unknown

Not drawn

31. Net'05 4366/01/01

Impasto

Rim fragment

Out turning rim; convex lip.

Ext. 5 YR 5/4 reddish brown, int. 5 YR 5/4 reddish brown and 5 YR 5/3 reddish brown, core 5 YR 4/2 dark reddish gray

4.9 x 9.1 x 3.1 – 1.6; Ø unknown

Carafa, 1995: p. 229, tipo 630(600/590-550); Maaskant-Kleibrink, 1992: p. 194, cat. nr. 1903 (590-580/570 BC); Maaskant-Kleibrink, 1992: p. 256, cat. nr. 2883 (590-580/570 BC)

32. Net'05 4385/01/01

Impasto

Wall fragment with plastic decoration

Wall fragment with a cord decoration, rounded in section; decorated with vertical finger impressions.

Ext. between 5YR 5/4 reddish brown and 2.5YR 5/6 red; int. + core between 5YR 4/1 dark gray and 5YR 4/2 dark reddish gray

8.1 x 3.6 x 1.4 – 2.2

Attema *et al.*, 2001/2002: p. 352, fig. 16, type XIV-4/5 (900-600/590 BC); Van Loon *et al.*, in prep.: cat.nr. PDA53771**33. Net'05 4385/01/02**

Impasto

Base fragment

Flat base, inside concave; spreading wall.

Ext. 2.5YR 5/6 red; int. 2.5YR 4/0 dark gray; core 10YR 4.2 dark grayish brown

2.1 x 3.5 x 1.4 – 0.7; Ø unknown

Not drawn

34. Net'05 4385/01/03

Impasto

Handle attachment

Band handle, flattened in section.

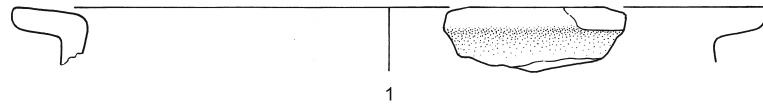
Ext. + int. + core 5YR 5/3 reddish brown and 5YR 4/1 dark gray

Attachment: 2.2 x 5.4; handle: 4.9 x 5.0 x 1.6

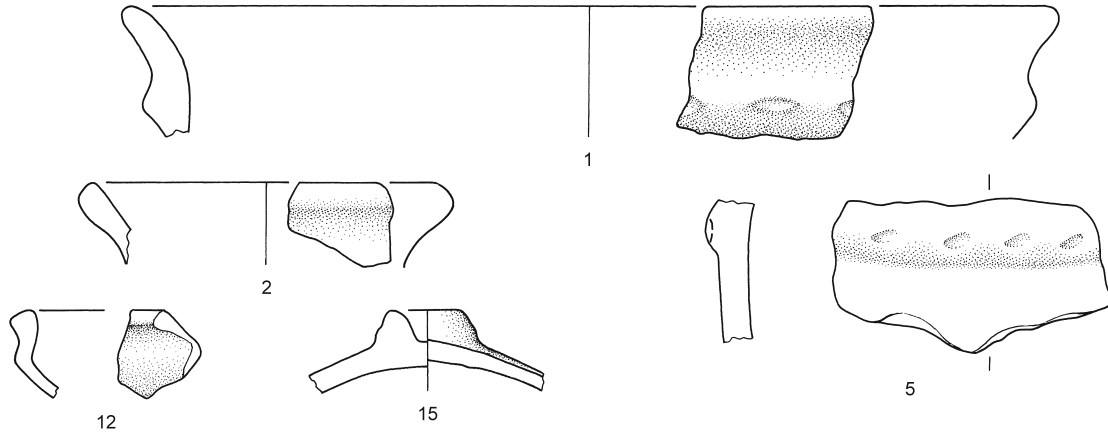
Not drawn

Campoverde survey
Site 15154

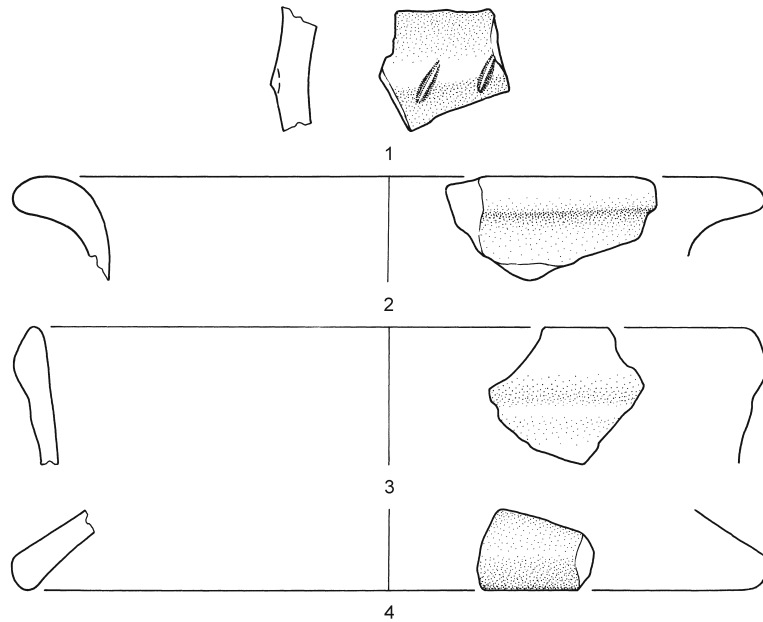
Plate I



Site 15141

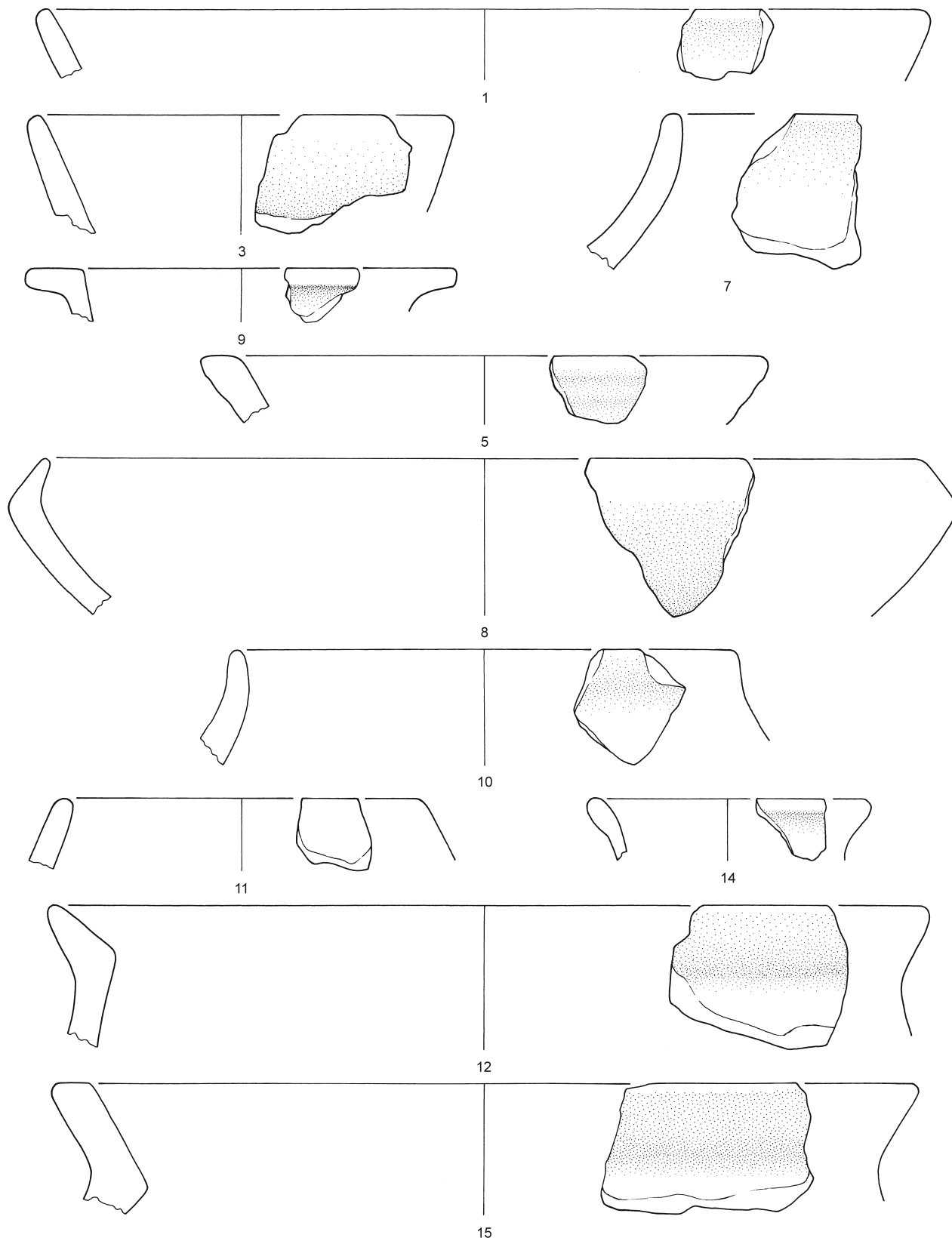


Off-site



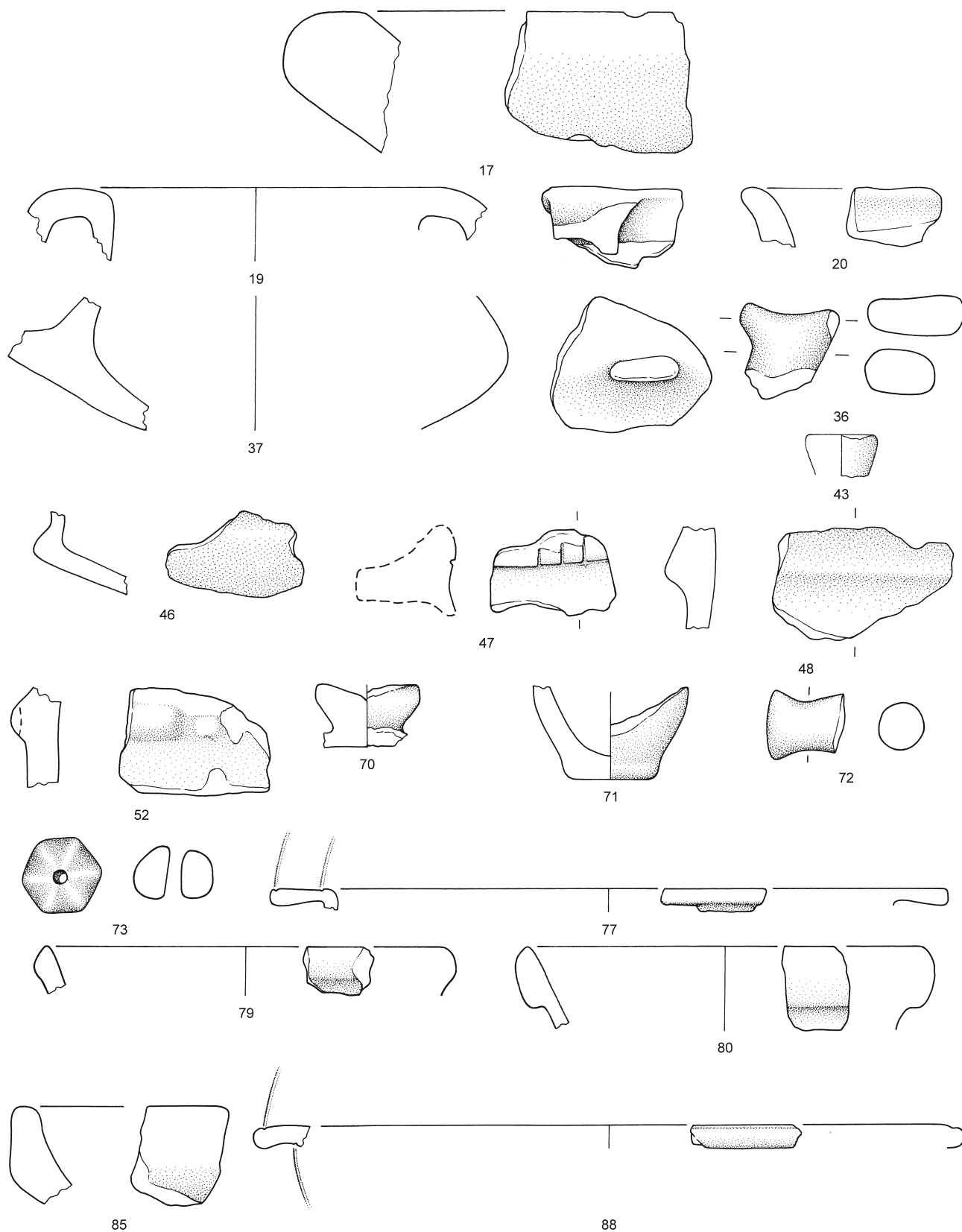
Padiglione survey
Site 15143

Plate II



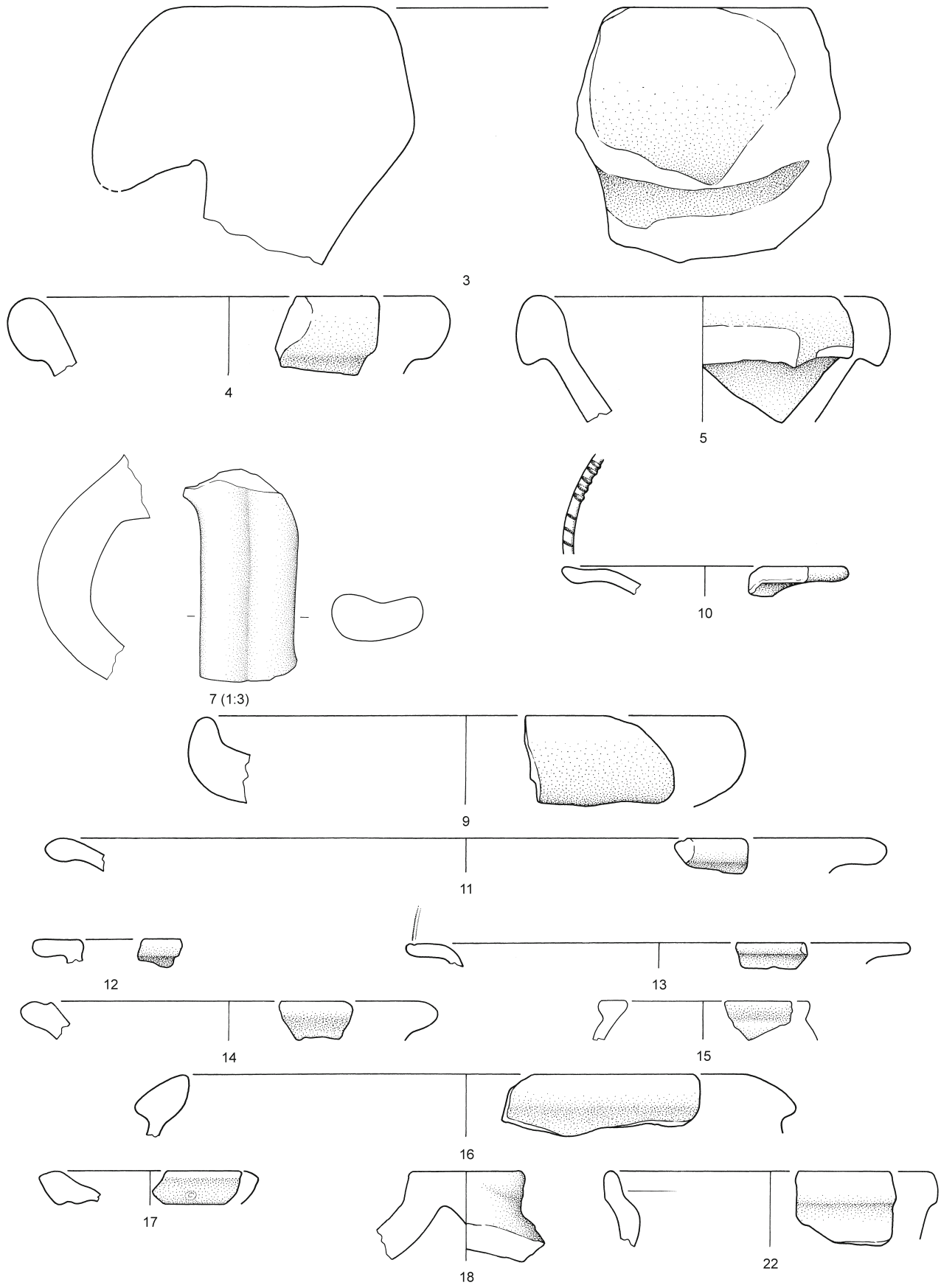
Padiglione survey
Site 15143 cont.

Plate III



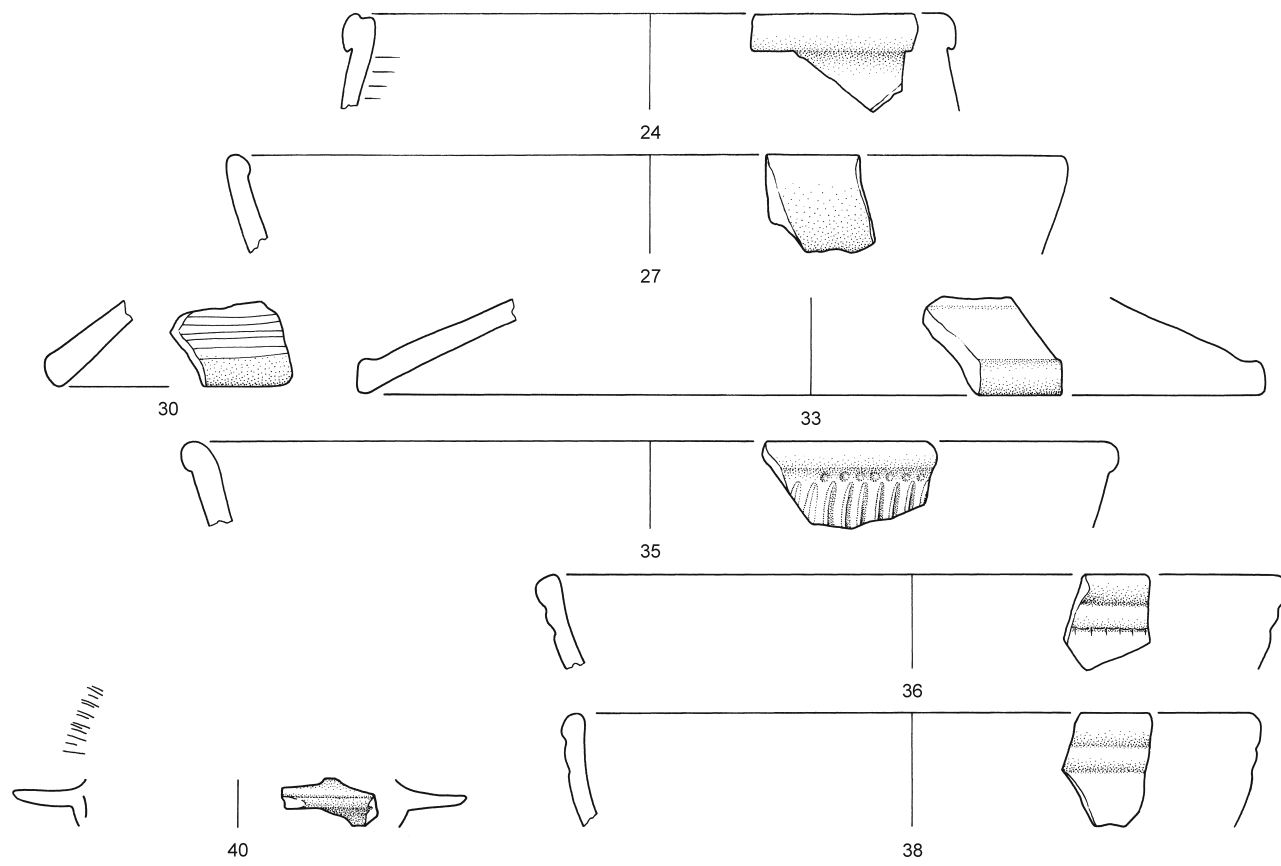
Padiglione survey
Site 15144

Plate IV

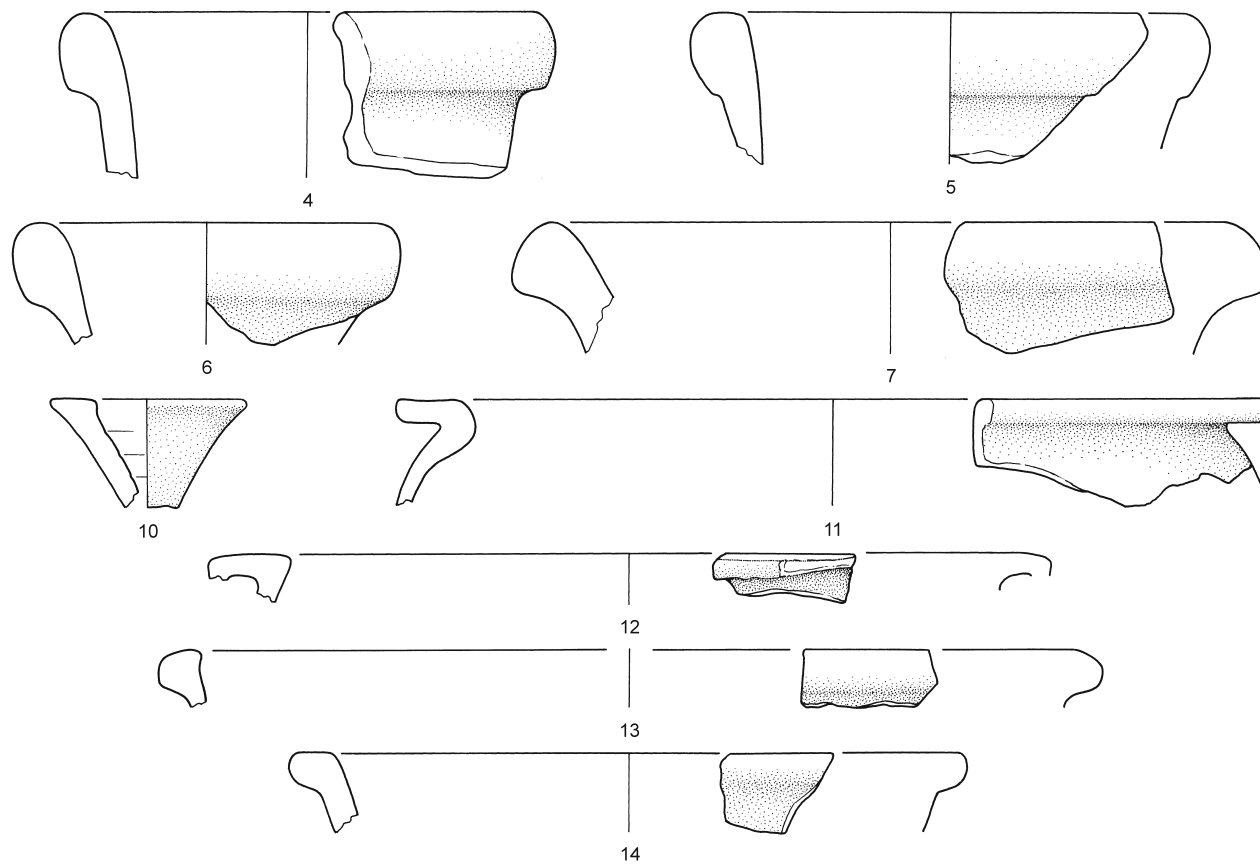


Padiglione survey
Site 15144 cont.

Plate V

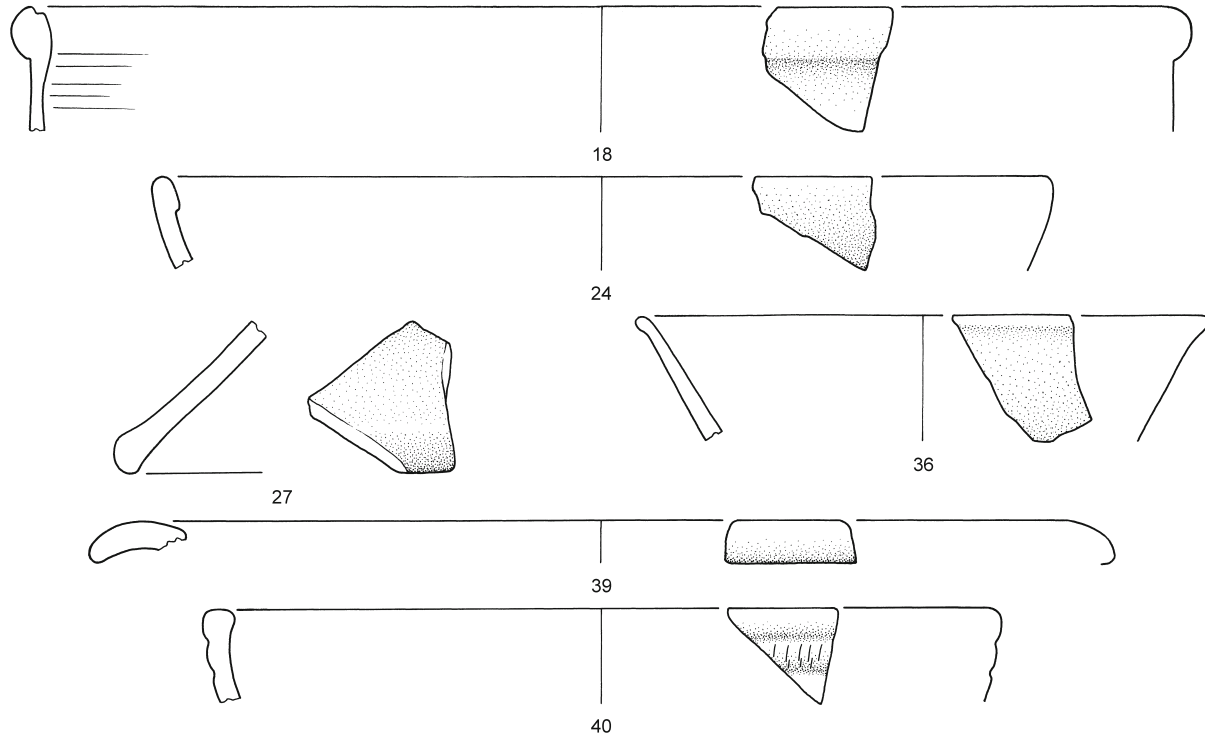


Site 15156

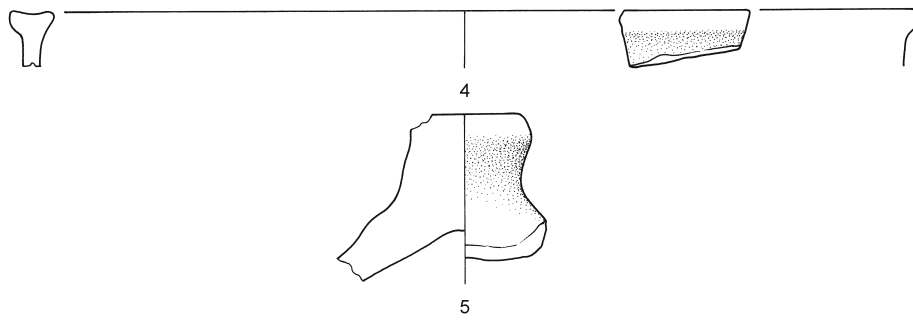


Padiglione survey
Site 15156 cont.

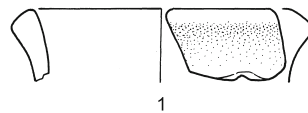
Plate VI



Site 15145



Site 15157



Padiglione survey
Off-site

Plate VII

