

University of Groningen

Deflection ring of sintered mgzn-ferrite material, cathode ray tube comprising such a ring and moulding made from this material

van der Zaag, Pieter Jan; van der Valk, Pieter Johan; de Wit, Hendrik Jan

IMPORTANT NOTE: You are advised to consult the publisher's version (publisher's PDF) if you wish to cite from it. Please check the document version below.

Document Version

Publisher's PDF, also known as Version of record

Publication date:

1996

[Link to publication in University of Groningen/UMCG research database](#)

Citation for published version (APA):

van der Zaag, P. J., van der Valk, P. J., & de Wit, H. J. (1996). Deflection ring of sintered mgzn-ferrite material, cathode ray tube comprising such a ring and moulding made from this material. (Patent No. WO9615543).

Copyright

Other than for strictly personal use, it is not permitted to download or to forward/distribute the text or part of it without the consent of the author(s) and/or copyright holder(s), unless the work is under an open content license (like Creative Commons).

The publication may also be distributed here under the terms of Article 25fa of the Dutch Copyright Act, indicated by the "Taverne" license. More information can be found on the University of Groningen website: <https://www.rug.nl/library/open-access/self-archiving-pure/taverne-amendment>.

Take-down policy

If you believe that this document breaches copyright please contact us providing details, and we will remove access to the work immediately and investigate your claim.

Downloaded from the University of Groningen/UMCG research database (Pure): <http://www.rug.nl/research/portal>. For technical reasons the number of authors shown on this cover page is limited to 10 maximum.



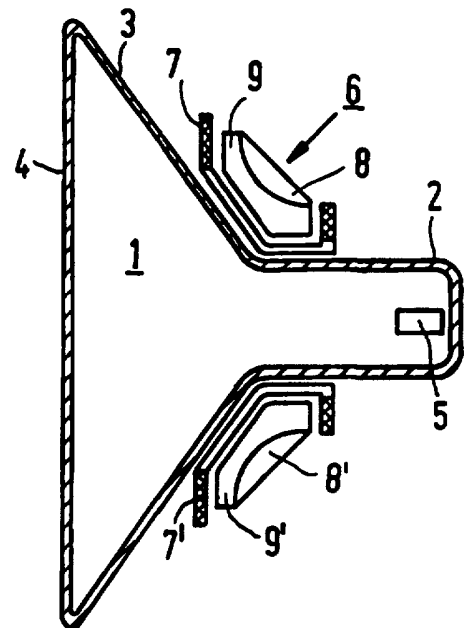
INTERNATIONAL APPLICATION PUBLISHED UNDER THE PATENT COOPERATION TREATY (PCT)

<p>(51) International Patent Classification ⁶ : H01J 29/76, C04B 35/26, H01F 1/34</p>	<p>A1</p>	<p>(11) International Publication Number: WO 96/15543 (43) International Publication Date: 23 May 1996 (23.05.96)</p>
<p>(21) International Application Number: PCT/IB95/00920 (22) International Filing Date: 25 October 1995 (25.10.95) (30) Priority Data: 94203263.2 9 November 1994 (09.11.94) EP (34) Countries for which the regional or international application was filed: NL et al. (71) Applicant: PHILIPS ELECTRONICS N.V. [NL/NL]; Groenewoudseweg 1, NL-5621 BA Eindhoven (NL). (71) Applicant (for SE only): PHILIPS NORDEN AB [SE/SE]; Kottbygatan 5, Kista, S-164 85 Stockholm (SE). (72) Inventors: VAN DER ZAAG, Pieter, Jan; Groenewoudseweg 1, NL-5621 BA Eindhoven (NL). VAN DER VALK, Pieter, Johan; Calle Goya, 45, E-19200 Azuqueca de Henares (ES). DE WIT, Hendrik, Jan; Groenewoudseweg 1, NL-5621 BA Eindhoven (NL). (74) Agent: VAN DER VEER, Johannes, L.; Internationaal Octrooibureau B.V., P.O. Box 220, NL-5600 AE Eindhoven (NL).</p>		<p>(81) Designated States: JP, European patent (AT, BE, CH, DE, DK, ES, FR, GB, GR, IE, IT, LU, MC, NL, PT, SE). Published With international search report.</p>

(54) Title: DEFLECTION RING OF SINTERED MgZn-FERRITE MATERIAL, CATHODE RAY TUBE COMPRISING SUCH A RING AND MOULDING MADE FROM THIS MATERIAL

(57) Abstract

The invention relates to a deflection ring of sintered MgZn-ferrite material. In accordance with the invention, this deflection ring is characterized in that the majority of the grains of the sintered material have a monodomain structure. By virtue thereof, a relatively small heat dissipation occurs in the ring when it is used in a cathode ray tube. The average grain size of the sintered MgZn-ferrite material is preferably 2.8 micrometers or less. MgZn-ferrite materials whose composition corresponds to the formula $Mg_{1-z}Zn_zFe_{2-y}O_4$, wherein $0.1 < z < 0.4$ and $0.01 < y < 0.3$, have the additional advantage that they have a relatively high saturation magnetization and a relatively high electrical resistance. The invention also relates to a cathode ray tube comprising the above-mentioned deflection ring and to a moulding made from the above-mentioned MgZn-ferrite material.



FOR THE PURPOSES OF INFORMATION ONLY

Codes used to identify States party to the PCT on the front pages of pamphlets publishing international applications under the PCT.

AT	Austria	GB	United Kingdom	MR	Mauritania
AU	Australia	GE	Georgia	MW	Malawi
BB	Barbados	GN	Guinea	NE	Niger
BE	Belgium	GR	Greece	NL	Netherlands
BF	Burkina Faso	HU	Hungary	NO	Norway
BG	Bulgaria	IE	Ireland	NZ	New Zealand
BJ	Benin	IT	Italy	PL	Poland
BR	Brazil	JP	Japan	PT	Portugal
BY	Belarus	KE	Kenya	RO	Romania
CA	Canada	KG	Kyrgystan	RU	Russian Federation
CF	Central African Republic	KP	Democratic People's Republic of Korea	SD	Sudan
CG	Congo	KR	Republic of Korea	SE	Sweden
CH	Switzerland	KZ	Kazakhstan	SI	Slovenia
CI	Côte d'Ivoire	LI	Liechtenstein	SK	Slovakia
CM	Cameroon	LK	Sri Lanka	SN	Senegal
CN	China	LU	Luxembourg	TD	Chad
CS	Czechoslovakia	LV	Latvia	TG	Togo
CZ	Czech Republic	MC	Monaco	TJ	Tajikistan
DE	Germany	MD	Republic of Moldova	TT	Trinidad and Tobago
DK	Denmark	MG	Madagascar	UA	Ukraine
ES	Spain	ML	Mali	US	United States of America
FI	Finland	MN	Mongolia	UZ	Uzbekistan
FR	France			VN	Viet Nam
GA	Gabon				

Deflection ring of sintered MgZn-ferrite material, cathode ray tube comprising such a ring and moulding made from this material.

The invention relates to a deflection ring of sintered MgZn-ferrite material. The invention also relates to a cathode ray tube comprising such a deflection ring as well as to a moulding made from sintered MgZn-ferrite material.

A deflection ring of the type mentioned in the opening paragraph is
5 known per se. For example, in United States Patent US 5,057,738, filed by Applicants, a description is given of a number of deflection rings which are made from an MgZn-ferrite material which also comprises a certain quantity of Li and Mn. In this Patent Document, a description is also given of a cathode ray tube comprising a deflection unit having such a deflection ring.

10 The known deflection ring has disadvantages. It has been found that when this ring is used in a cathode ray tube, heat dissipation in the deflection unit occurs at room temperature, at induction levels of 20 to 25 mT and frequencies of 16 kHz or multiples thereof. This dissipation leads to an undesirable increase of the temperature of the tube and hence to a reduction of the life of the surrounding electronic components of the tube.

15 It is an object of the invention to obviate the above-mentioned disadvantage. The invention more particularly aims at providing a deflection ring as well as a cathode ray tube comprising a deflection unit, in which the heat-dissipation problem has been substantially reduced.

20 These and other objects of the invention are achieved by means of a deflection ring of the type mentioned in the opening paragraph, which is characterized in that the majority of the grains of the sintered material have a monodomain structure.

In series of experiments which have led to the present invention, Applicants have established that the magnetic structure of the grains is of great importance for the dissipation properties of the relevant deflection ring. Experiments have shown, for
25 example, that sintered MgZn-ferrite materials having grains which comprise only one magnetic domain exhibit a surprisingly low heat dissipation. This applies in particular under the above-mentioned measuring conditions at induction levels of 20 to 25 mT and frequencies of 16 kHz, or multiples thereof, at room temperature. Under said conditions, the dissipation can be reduced by 20% or more. It is noted that the expression "the majority of the grains"

is to be understood to mean herein "at least 90% of the grains". Further, it is noted that grains having a monodomain structure comprise only one magnetic domain.

A preferred embodiment of the deflection ring in accordance with the invention is characterized in that the average grain size of the material is 2.8 micrometers or less. Applicants have observed that at an average grain size of approximately 2.8 micrometers, approximately 90% of the grains have a monodomain structure. A smaller average grain size leads to a further increase of this percentage. Percentages of 98% and more are obtained if the average grain size of the MgZn-ferrite material ranges between 1.4 and 2.1 micrometers. The lowest heat dissipation is observed in deflection rings of sintered MgZn-ferrite material having this average grain size. It has been found that the manufacture of average grain sizes below 1.1 micrometers is relatively laborious and hence expensive. In addition, these small grain sizes do not lead to a further reduction of the dissipation because the favourable monodomain structure has already been reached. The size of the grains is defined in accordance with the so-called "mean linear intercept" method.

It is noted that measurements on the known deflection rings of MgZn-ferrite material showed that the average grain size of this material is approximately 5.0 micrometers. Consequently, the majority of the grains of the known, sintered material do not have a monodomain structure. This is the reason why the known deflection rings exhibit a relatively high heat dissipation as compared to the deflection rings in accordance with the invention.

Another favourable embodiment of the deflection ring in accordance with the invention is characterized in that the composition of the sintered material corresponds to the formula $Mg_{1-z}Zn_zFe_{2-y}O_4$, wherein $0.1 < z < 0.4$, $0.01 < y < 0.3$. Deflection rings having this composition do not only exhibit a relatively low heat dissipation but also a relatively high saturation magnetization B_s . Due to a Fe deficiency, the electrical resistance of the deflection ring is rather high. The highest magnetizations are obtained if the MgZn-ferrite material is composed so that $0.15 < z < 0.25$ and $0.01 < y < 0.2$.

Another suitable deflection ring in accordance with the invention is characterized in that maximally 20 at. % of iron is replaced by trivalent manganese. Preferably, all the iron present in the ferrite material is trivalent. The presence of a small quantity of divalent iron leads to a considerable reduction of the resistivity. This constitutes a major drawback. The presence of this small quantity of manganese ensures that all the iron present in the ferrite material is trivalent. If a small quantity of the trivalent ions in the material were reduced to divalent ions, first the more easily reducible trivalent manganese

would be converted to divalent manganese. The reduction of manganese in the MgZn-ferrite material less seriously affects the properties of the inventive deflection ring than the reduction of iron. It is also advantageous to replace a part of the magnesium by lithium and/or nickel. This replacement enhances the saturation magnetisation of the deflection ring.

5 The MgZn-ferrite material in accordance with the invention may further be doped with small quantities of other elements, in particular sintering agents such as B_2O_3 .

The invention further relates to a moulding of a sintered MgZn-ferrite material. This is characterized in that the majority of the grains of the sintered material have
10 a monodomain structure. Such a moulding has a low heat dissipation when the conditions under which it is used are such that the moulding is exposed to induction levels of 20 to 25 mT and frequencies of 16 kHz, or multiples thereof, at room temperature.

The average grain size of the material is preferably 2.8 micrometers or less. The lowest dissipation is obtained if the average grain size of the material ranges
15 between 1.45 and 2.1 micrometers. If the composition of the sintered material corresponds to the formula $Mg_{1-z}Zn_zFe_{2-y}O_4$, wherein $0.1 < z < 0.4$ and $0.01 < y < 0.3$, the moulding exhibits a low heat dissipation as well as a relatively high saturation magnetization B_s . By replacing maximally 20 at. % of iron by manganese, the reduction of the resistivity of the material due to a reduction of trivalent iron is avoided.

20 By virtue of the favourable, low heat dissipation of the inventive moulding, it is very interesting to apply said moulding in transformers and inductors. It has been found that such transformers and inductors can particularly advantageously be used at relatively high frequencies of 1 MHz or more, and, preferably, at relatively high induction levels of 1 mT or more. The material can also very advantageously be used as an antenna
25 rod in an induction lamp.

The invention further relates to a cathode ray tube having a deflection unit which comprises a deflection ring. In accordance with the invention, a deflection ring of sintered MgZn-ferrite material as described hereinabove, is used in the cathode ray tube. By virtue thereof, excessive heating of the cathode ray tube in operation is precluded, so that the
30 resultant reduction of the life of the surrounding electronic components and the problems caused thereby are precluded.

These and other aspects of the invention will be apparent from and elucidated with reference to the embodiments described hereinafter.

In the drawings:

Fig. 1 shows a deflection ring in accordance with the invention,

Fig. 2 is a schematic, sectional view of a cathode ray tube having a deflection unit comprising a deflection ring in accordance with the invention.

5 Fig. 1-a is an elevational view of a deflection ring (1) in accordance with the invention. Fig. 1-b is a cross-sectional view of the deflection ring of Fig. 1-a, taken on the line I-b. The largest outside diameter of the ring (on the side of the flared portion (2)) was 86 mm and the smallest diameter (on the side of the neck (3)) was 54 mm. The thickness of the deflection ring was 6 mm. The ring was made from a sintered MgZn-ferrite material, the average grain size of the material being 1.9 micrometers. The composition of
10 the material corresponded to the formula $Mg_{0.8}Zn_{0.2}Mn_{0.1}Fe_{1.85}O_{3.925}$.

A number of deflection rings having the above-mentioned composition and different average grain sizes were manufactured as follows. For the starting materials use was made of magnesium oxide (MgO), zinc oxide (ZnO), manganese oxide (Mn_2O_3) and
15 iron oxide (Fe_2O_3). To obtain the above-mentioned composition, 16.1 wt. % magnesium oxide, 8.4 wt. % zinc oxide, 4.2 wt. % manganese oxide (Mn_2O_3) and 71.3 wt. % iron oxide were weighed and mixed in demineralised water for 6 hours. After filtration of the mixed powder, it was dried. Subsequently, the powder formed was pre-fired at 850 °C for 4 hours.

To obtain sintered deflection rings having different grain sizes, the fired
20 product thus produced was subdivided into ten fractions, each of which was ground in a different manner in a liquid. All fractions 1-10 (see Table 1) were first ground with steel balls having a diameter of 13-16 mm for 12 hours. Fractions 1, 2, 3, 6, 7 and 10 were subsequently subjected to a further grinding operation with steel balls having a diameter of 3 mm for 3 hours. Fractions 4 and 8 were ground using these balls for 6 hours. Fractions 5
25 and 9 were ground using these balls for 9 hour. After filtering-off and drying, the average grain size of each of the fractions was determined by means of a Fisher measurement.

After mixing said fractions with a binder (2% ammonium alginate in demineralised water) the mixture obtained was passed through a sieve and subsequently granulated. Next, each of the granulated fractions was pressed (600 kg/cm^2) to form
30 deflection rings. These rings were sintered for approximately 2 hours at a maximum temperature ranging between 1120 and 1400 °C. The specific sinter temperature T of each of the fractions is mentioned in Table 1. Dependent upon the sinter duration, sinter temperature and the fineness of the grind, the deflection rings of sintered MgZn-ferrite material had an average grain size ranging between 1.0 and 7.0 micrometers. The combination of shorter

sinter times, lower sinter temperatures and longer grinding times results in sintered mouldings having a relatively small grain size. The average grain size was determined by means of the "mean linear intercept" method on the basis of scanning electron microscopy (SEM) and microstructure photographs. The average size of the magnetic domains was

5 determined by means of neutron-polarization measurements.

The sintered rings were subjected to a number of magnetic measurements such as the heat dissipation at room temperature, an induction level of 20 mT and a frequency of 32 kHz (P_v-1), 64 kHz (P_v-2) and 128 kHz (P_v-3). The power losses of the rings were measured and indicated in table 1 as P_v-4 (3 MHz and 10 mT) and P_v-5 (5 MHz and 7.5 mT). The measured dissipation values P_v (mW/cm³) are listed in Table 1. The loss factor V ($\tan \delta/\mu$) is also indicated in Table 1 (5MHz). The Table shows that the rings having an average grain size of 2.8 micrometers or less exhibit a lower heat dissipation than rings having a larger average grain size. Rings having an average grain size d (micrometers) in the range from 1.45 to 2.1 micrometers were found to have the lowest heat dissipation.

15

TABLE 1

no.	d	T	P_v-1	P_v-2	P_v-3	P_v-4	P_v-5	V(10 ⁻⁶)	
20	1	1.1	1150	13.0	22.0	44.0	858	938	115
	2	1.45	1200	12.0	24.3	41.0	1065	1071	134
	3	1.75	1250	12.5	22.3	39.0	946	1009	140
	4	1.90	1250	11.0	21.5	40.1	958	1057	136
25	5	2.11	1250	12.0	22	44.2	973	1065	143
	6	2.27	1275	14.0	24.0	45.3	964	1053	145
	7	2.81	1300	16.0	27.0	57.0	1122	1094	222
	8	3.14	1300	19.0	35.0	70.1	1246	1391	323
	9	3.53	1300	19.5	36.0	67.0	1464	1554	359
30	10	6.95	1350	18.0	37.8	68.4	1472	1551	330

Rings of the different composition $Mg_{0.63}Zn_{0.37}Mn_{0.10}Fe_{1.80}O_{3.85}$ were also prepared by means of the above-mentioned method. The average grain size d, the maximum sintering temperature T (°C) and the power-losses P (mW/cm³) measured at

$f = 3$ MHz and $B = 10$ mT, are indicated in Table 2. Also in this case, it holds that the rings having an average grain size less than 28 show the lowest losses.

TABLE 2

5

	d	T	P
	1.05	1200	843
	1.35	1250	1033
10	1.39	1250	898
	2.05	1250	912
	2.31	1275	924
	2.82	1275	1036
	3.34	1300	1385
15	3.82	1300	1437
	5.52	1350	1453

20

Fig. 2 is a schematic longitudinal sectional view of a cathode ray tube (1). Said cathode ray tube comprises a cylindrical neck portion (2) and an adjoining funnel-shaped portion 3 whose front side (on the left in Fig. 2) is sealed by a display screen portion (4). The neck portion (3) accommodates an electrode system (5), shown schematically, by means of which one electron beam (in the case of a monochrome display tube) or three coplanar
 25 electron beams (in the case of a colour display tube) can be generated. A deflection unit (6) which surrounds the tube (1) coaxially is provided on the cathode ray tube (1) at the area where the neck portion merges with the funnel-shaped portion (3) of the tube. In this case, this unit comprises a first pair of saddle-shaped deflection coils (7, 7') for deflecting the
 30 electron beam(s) in the horizontal direction, a second pair of toroidal deflection coils (8, 8') for deflecting the electron beam(s) in the vertical direction and a deflection ring (9) which supports said pair of coils (8, 8'). As is shown in this Figure, the shape of the deflection ring (9) and of the deflection coils is adapted to the funnel shape of the cathode ray tube (1).

The deflection ring (9) of the cathode ray tube (1) is manufactured from a soft-magnetic MgZn-ferrite material, the majority of the grains of the sintered material

having a monodomain structure. By virtue thereof, the tube in accordance with the invention is heated to a lesser degree than a tube which comprises the deflection ring in accordance with the state of the art.

CLAIMS:

1. A deflection ring of sintered MgZn-ferrite material, characterized in that the majority of the grains of the sintered material have a monodomain structure.
2. A deflection ring as claimed in Claim 1, characterized in that the average grain size of the material is 2.8 micrometers or less.
- 5 3. A deflection ring as claimed in Claim 2, characterized in that the average grain size of the material ranges between 1.45 and 2.1 micrometers.
4. A deflection ring as claimed in any one of the preceding Claims, characterized in that the composition of the sintered material corresponds to the formula $Mg_{1-z}Zn_zFe_{2-y}O_4$, wherein $0.1 < z < 0.4$ and $0.01 < y < 0.3$.
- 10 5. A deflection ring as claimed in Claim 4, characterized in that maximally 15 at.% of iron is replaced by trivalent manganese.
6. A cathode ray tube having a deflection unit which comprises a deflection ring as claimed in any one of the preceding Claims.
7. A moulding of sintered MgZn-ferrite material, characterized in that the
15 majority of the grains of the sintered material have a monodomain structure.
8. A moulding as claimed in Claim 7, characterized in that the average grain size of the material is 2.8 micrometers or less.
9. A moulding as claimed in Claim 8, characterized in that the average grain size of the material ranges between 1.45 and 2.1 micrometers.
- 20 10. A moulding as claimed in any one of Claims 7, 8 or 9, characterized in that the composition of the sintered material corresponds to the formula $Mg_{1-z}Zn_zFe_{2-y}O_4$, wherein $0.1 < z < 0.4$ and $0.01 < y < 0.3$.
11. A moulding ring as claimed in Claim 10, characterized in that maximally 15 at.% of iron is replaced by manganese.

1/1

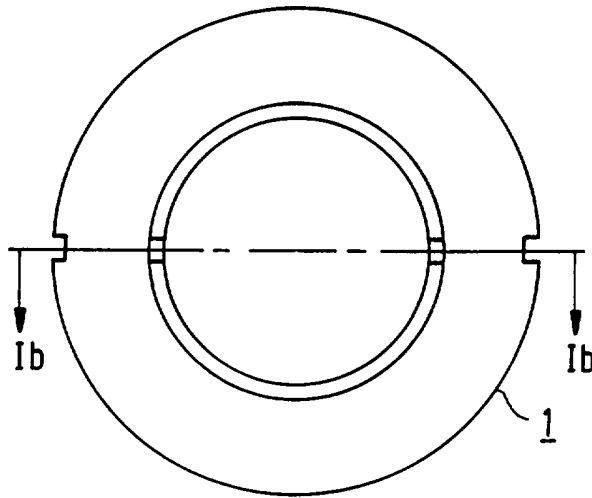


FIG. 1a

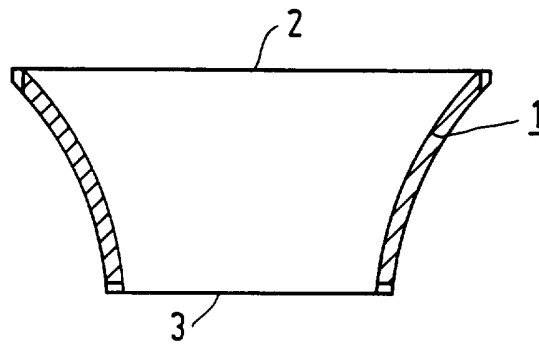


FIG. 1b

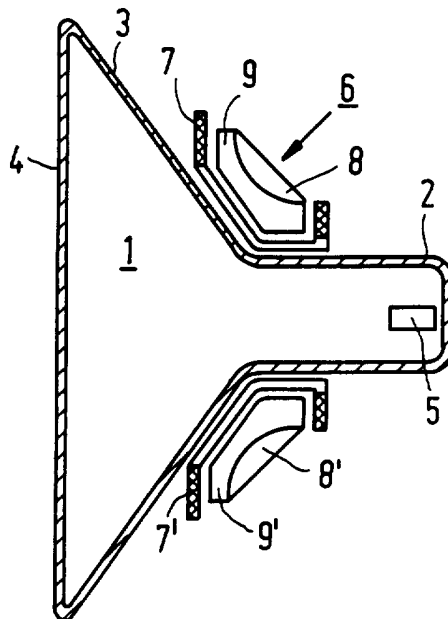


FIG. 2

INTERNATIONAL SEARCH REPORT

International application No.

PCT/IB 95/00920

A. CLASSIFICATION OF SUBJECT MATTER

IPC6: H01J 29/76, C04B 35/26, H01F 1/34

According to International Patent Classification (IPC) or to both national classification and IPC

B. FIELDS SEARCHED

Minimum documentation searched (classification system followed by classification symbols)

IPC6: H01J, H01F, C04B

Documentation searched other than minimum documentation to the extent that such documents are included in the fields searched

Electronic data base consulted during the international search (name of data base and, where practicable, search terms used)

WPI, CLAIMS

C. DOCUMENTS CONSIDERED TO BE RELEVANT

Category*	Citation of document, with indication, where appropriate, of the relevant passages	Relevant to claim No.
X	US 4372865 A (BU-FAN B. YU ET AL.), 8 February 1983 (08.02.83), column 6, line 40 - line 63; column 8, line 18 - line 36; column 9, line 13 - line 61; column 11, line 1 - line 5 --	1-11
Y	US 5057738 A (JACOBUS G. BOERKAMP), 15 October 1991 (15.10.91), figures 1-2, abstract --	1-11
Y,P	EP 0624886 A1 (PHILIPS ELECTRONICS N.V.), 17 November 1994 (17.11.94), page 2, line 23 - line 49; page 3, line 50 - line 59 -- -----	1-11

 Further documents are listed in the continuation of Box C. See patent family annex.

* Special categories of cited documents:

"A" document defining the general state of the art which is not considered to be of particular relevance

"E" earlier document but published on or after the international filing date

"L" document which may throw doubts on priority claim(s) or which is cited to establish the publication date of another citation or other special reason (as specified)

"O" document referring to an oral disclosure, use, exhibition or other means

"P" document published prior to the international filing date but later than the priority date claimed

"T" later document published after the international filing date or priority date and not in conflict with the application but cited to understand the principle or theory underlying the invention

"X" document of particular relevance: the claimed invention cannot be considered novel or cannot be considered to involve an inventive step when the document is taken alone

"Y" document of particular relevance: the claimed invention cannot be considered to involve an inventive step when the document is combined with one or more other such documents, such combination being obvious to a person skilled in the art

"&" document member of the same patent family

Date of the actual completion of the international search

20 February 1996

Date of mailing of the international search report

22 -02- 1996

Name and mailing address of the ISA/

Swedish Patent Office

Box 5055, S-102 42 STOCKHOLM

Facsimile No. + 46 8 666 02 86

Authorized officer

Håkan Sandh

Telephone No. + 46 8 782 25 00

INTERNATIONAL SEARCH REPORT

Information on patent family members

05/02/96

International application No.

PCT/IB 95/00920

Patent document cited in search report	Publication date	Patent family member(s)	Publication date
US-A- 4372865	08/02/83	NONE	
US-A- 5057738	15/10/91	EP-A- 0400716 JP-A- 3050705	05/12/90 05/03/91
EP-A1- 0624886	17/11/94	NONE	