

University of Groningen

Power cord provided with a power cord transformer

Doss Desouza, Argus F. C.; Smidt, Pieter J. M.; van der Zaag, Pieter J.

IMPORTANT NOTE: You are advised to consult the publisher's version (publisher's PDF) if you wish to cite from it. Please check the document version below.

Document Version

Publisher's PDF, also known as Version of record

Publication date:

2000

[Link to publication in University of Groningen/UMCG research database](#)

Citation for published version (APA):

Doss Desouza, A. F. C., Smidt, P. J. M., & van der Zaag, P. J. (2000). Power cord provided with a power cord transformer. (Patent No. *WO0005786*).

Copyright

Other than for strictly personal use, it is not permitted to download or to forward/distribute the text or part of it without the consent of the author(s) and/or copyright holder(s), unless the work is under an open content license (like Creative Commons).

The publication may also be distributed here under the terms of Article 25fa of the Dutch Copyright Act, indicated by the "Taverne" license. More information can be found on the University of Groningen website: <https://www.rug.nl/library/open-access/self-archiving-pure/taverne-amendment>.

Take-down policy

If you believe that this document breaches copyright please contact us providing details, and we will remove access to the work immediately and investigate your claim.

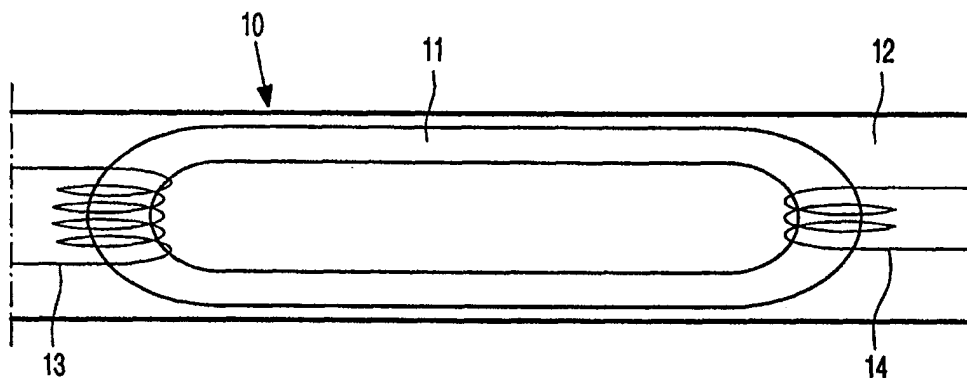
Downloaded from the University of Groningen/UMCG research database (Pure): <http://www.rug.nl/research/portal>. For technical reasons the number of authors shown on this cover page is limited to 10 maximum.



INTERNATIONAL APPLICATION PUBLISHED UNDER THE PATENT COOPERATION TREATY (PCT)

<p>(51) International Patent Classification ⁷ : H01R 13/66, H01F 27/255</p>	<p>A2</p>	<p>(11) International Publication Number: WO 00/05786</p> <p>(43) International Publication Date: 3 February 2000 (03.02.00)</p>
<p>(21) International Application Number: PCT/EP99/04763</p> <p>(22) International Filing Date: 7 July 1999 (07.07.99)</p> <p>(30) Priority Data: 98401871.3 22 July 1998 (22.07.98) EP</p> <p>(71) Applicant: KONINKLIJKE PHILIPS ELECTRONICS N.V. [NL/NL]; Groenewoudseweg 1, NL-5621 BA Eindhoven (NL).</p> <p>(72) Inventors: DOSS DESOUZA, Argus, F., C.; Prof. Holstlaan 6, NL-5656 AA Eindhoven (NL). SMIDT, Pieter, J., M.; Prof. Holstlaan 6, NL-5656 AA Eindhoven (NL). VAN DER ZAAG, Pieter, J.; Prof. Holstlaan 6, NL-5656 AA Eindhoven (NL). GIJS, Martinus, A., M.; Prof. Holstlaan 6, NL-5656 AA Eindhoven (NL). VAN DE WALLE, Gerjan, F., A.; Prof. Holstlaan 6, NL-5656 AA Eindhoven (NL).</p> <p>(74) Agent: ROLFES, Johannes, G., A.; Internationaal Octrooibureau B.V., Prof. Holstlaan 6, NL-5656 AA Eindhoven (NL).</p>		<p>(81) Designated States: JP, European patent (AT, BE, CH, CY, DE, DK, ES, FI, FR, GB, GR, IE, IT, LU, MC, NL, PT, SE).</p> <p>Published <i>Without international search report and to be republished upon receipt of that report.</i></p>

(54) Title: POWER CORD PROVIDED WITH A POWER CORD TRANSFORMER



(57) Abstract

A power cord (10) provided with a power cord transformer (12) is described. The transformer comprises a core (11) of ferromagnetic material, a primary coil (13) and a secondary coil (14) both provided around the core. The core and coils have such a shape that the distance between two points on the primary coil and also the distance between two points on the secondary coil is always smaller than twice the largest axis of the power cord cross section.

FOR THE PURPOSES OF INFORMATION ONLY

Codes used to identify States party to the PCT on the front pages of pamphlets publishing international applications under the PCT.

AL	Albania	ES	Spain	LS	Lesotho	SI	Slovenia
AM	Armenia	FI	Finland	LT	Lithuania	SK	Slovakia
AT	Austria	FR	France	LU	Luxembourg	SN	Senegal
AU	Australia	GA	Gabon	LV	Latvia	SZ	Swaziland
AZ	Azerbaijan	GB	United Kingdom	MC	Monaco	TD	Chad
BA	Bosnia and Herzegovina	GE	Georgia	MD	Republic of Moldova	TG	Togo
BB	Barbados	GH	Ghana	MG	Madagascar	TJ	Tajikistan
BE	Belgium	GN	Guinea	MK	The former Yugoslav Republic of Macedonia	TM	Turkmenistan
BF	Burkina Faso	GR	Greece	ML	Mali	TR	Turkey
BG	Bulgaria	HU	Hungary	MN	Mongolia	TT	Trinidad and Tobago
BJ	Benin	IE	Ireland	MR	Mauritania	UA	Ukraine
BR	Brazil	IL	Israel	MW	Malawi	UG	Uganda
BY	Belarus	IS	Iceland	MX	Mexico	US	United States of America
CA	Canada	IT	Italy	NE	Niger	UZ	Uzbekistan
CF	Central African Republic	JP	Japan	NL	Netherlands	VN	Viet Nam
CG	Congo	KE	Kenya	NO	Norway	YU	Yugoslavia
CH	Switzerland	KG	Kyrgyzstan	NZ	New Zealand	ZW	Zimbabwe
CI	Côte d'Ivoire	KP	Democratic People's Republic of Korea	PL	Poland		
CM	Cameroon	KR	Republic of Korea	PT	Portugal		
CN	China	KZ	Kazakstan	RO	Romania		
CU	Cuba	LC	Saint Lucia	RU	Russian Federation		
CZ	Czech Republic	LI	Liechtenstein	SD	Sudan		
DE	Germany	LK	Sri Lanka	SE	Sweden		
DK	Denmark	LR	Liberia	SG	Singapore		
EE	Estonia						

Power cord provided with a power cord transformer.

The invention relates to a power cord having a first and a second end, provided with a power cord transformer comprising a core of ferromagnetic material, and a first wire wound around a part of the core as primary coil and a second wire wound around a part of the core as secondary coil, the ends of the first wire extending to the first end of the power cord and the ends of the second wire extending to the second end of the power cord. This type of power cord is particularly used for portable apparatuses used on journeys. Examples are portable telephones, portable computers and shavers.

A power cord of the type described in the opening paragraph is known from United States patent US-A 5,539,369. This patent describes a power cord with a power cord transformer having a core which consists of a plurality of separate toroids whose axes are in alignment. The toroids thus form a row. The primary coil of this transformer consists of a wire which is wound around the row of toroids. To this end, the conducting wire constituting this coil is wound a number of times in the axial direction within and outside the row of toroids. The secondary coil consists of a similarly wound wire.

The known power cord is found to have some considerable drawbacks in practice. It has been found that an unacceptably high percentage of these cords becomes defective during use by consumers. The method of producing the power cord described in said patent is also very cumbersome. In this method, separate wire pieces are provided and subsequently secured to each other.

It is an object of the present invention to obviate the above-mentioned drawbacks. More particularly, it is an object of the invention to provide a durable power cord which can be manufactured easily.

According to the invention, these and other objects of the invention are achieved with a power cord of the type described in the opening paragraph, which is characterized in that the shape of the core and the coils is chosen to be such that the distance between any combination of two points on a single turn of the primary and secondary coil is smaller than twice the largest axis of the power cord cross-section.

The invention is also based on the recognition, gained by experiment, that the wires wound around the elongated coils of the known transformer may easily be damaged when the cord is bent strongly. Notably apparatuses taken along on journeys are often packed and unpacked, at which the power cord is usually deformed considerably. Under these
5 circumstances, there is a great risk of wire breakage.

By using the measure according to the invention, it is achieved that the wound wires no longer extend through a large length of the cord. The risk of wire breakage in the cord is thereby reduced considerably.

An advantageous embodiment of the power cord according to the invention is
10 characterized in that the core extends through at least 50% of the length of the power cord and has a first and a second end, the primary coil being situated at the location of the first end of the core and the secondary coil being situated at the location of the second end of the core. By using this measure, not only the primary and secondary coil have limited dimensions but the input and output wires have a short length as well. Consequently, there is an even smaller risk
15 of cord breakage and the cord has a greater reliability.

In accordance with a further preferred embodiment of the present invention, the power cord is characterized by the fact that the core is made of an intrinsic flexible material. In this way, a large part of the cord length can be bridged with the core, so that the input and output wires can be shorter. Moreover, another cause of rejection is avoided thereby. It has
20 been found that the toroids of the power cord described in United States patent US-A 5,539,369 may break to pieces if pressure is exerted. This may already happen easily if a person accidentally stands on the power cord, which is a situation that may occur several times under normal use. By using a flexible core, this core breakage no longer occurs either.

The flexible material may be a thermoplastic binder or a reactive binder. Inter
25 alia, polyurethanes are a good choice. These materials are very flexible, durable and easily available. They are available as molding mass and as thermoplasts. Another possibility is silicons. These materials are very rigid and have a long lifetime. Other interesting materials are polyamides. Various polyamides are available which have a lower viscosity than the above-mentioned materials during processing. This simplifies the production of the cores.

30 The power cord is preferably characterized in that the intrinsic flexible material consists of a composite comprising a magnetic flux-conducting material and a polymer. The polymer provides the desired flexibility. The magnetic flux-conducting material is preferably a soft-magnetic material. A suitable magnetic material is ferrite. This has such a high resistance that it functions satisfactorily in a transformer having an internal frequency of between 49 and

149 kHz. This is a favorable range for transformers used in portable apparatuses. A lower frequency would result in too large dimensions of the transformer. A higher frequency would result in too much interference of surrounding apparatuses and lead to too much dissipation of energy. In accordance with a preferred embodiment, the power cord is therefore characterized
5 in that the magnetic flux-conducting material comprises ferrite. An additional advantage of the use of the composite of magnetically conducting material and polymer is the fact that this material can be manufactured by means of molding. These molding processes may be molding, pressing, injection molding or reactive injection molding. A core of this material can thus be made more easily than a core of a conventional material which must be sintered and/or
10 ground.

In practice, this embodiment may be implemented as a power cord which is characterized in that the core comprises a flat-folded ring, the primary coil and the secondary coil being situated at those locations of the ring which are furthest remote from each other. This has the advantage that the magnetic field lines close automatically through the ring,
15 which simplifies the transformation. The energy losses upon transformation are thus reduced considerably.

The described embodiment using the flexible core may also be implemented as a power cord which is characterized in that the core is rod-shaped, the primary coil being situated on a first end of the rod and the secondary coil being situated on the second end of the
20 rod, a tubular envelope of an intrinsic flexible magnetically conducting material around the core constituting a return path for the field lines. The field lines are closed through the tubular envelope so that a coax construction is provided. This has the great advantage that a rod-shaped core is more rigid than a folded ring. The risk of cracks or breakage due to strong bending is very small in this embodiment. It is only the bending of the cord during use which
25 affects the core but can easily be withstood by this core.

Another advantageous embodiment of the power cord according to the invention is characterized in that it is helical. The core is then also helical. The primary coil is wound around the first end of the core and the secondary coil is wound around the second end of the core. An advantage of this embodiment is that the core in a helical cord needs to be
30 substantially less flexible than a straight cord. Consequently, the core can be manufactured at lower cost.

An embodiment of the power cord is characterized in that it comprises a plug which is secured to the cord via a strain-relief grommet, and in that the transformer is accommodated in the strain-relief grommet. The strain-relief grommet occupies a given

minimum space which is not significantly increased by the incorporation of the transformer. The space within the power cord is utilized more efficiently by accommodating the transformer in the strain-relief grommet.

5 The power cord may be extended to any desired length by means of an extension cord.

These and other aspects of the invention are apparent from and will be elucidated with reference to the embodiments described hereinafter.

10 In the drawings:

Fig. 1 shows diagrammatically a part of an embodiment of a power cord according to the invention, in which the core of the transformer has an annular shape.

Fig. 2 shows diagrammatically a part of a power cord according to the invention, in which the core of the transformer is rod-shaped.

15 Fig. 3 shows diagrammatically a part of a power cord according to the invention, in which the transformer is present in a helical part of the cord which is helical.

Fig. 4 shows diagrammatically the plug of an embodiment of a power cord according to the invention, in which the transformer is accommodated in the strain-relief grommet.

20

Fig. 1 is a diagrammatic cross-section of a part of an embodiment of a power cord 10 according to the invention, in which the core 11 of the transformer 12 has an annular shape. The primary coil 13 and the secondary coil 14 of the transformer 12 are wound around the annular core 11. The core 11 is made of a flexible material so that the cord 10 can bend without any hindrance and without damage of the core 11.

Fig. 2 is a diagrammatic cross-section of a part of a power cord 20 according to the invention, in which the core 21 of the transformer 22 is rod-shaped. The primary coil 23 and the secondary coil 24 of the transformer 22 are wound around the ends of the rod-shaped core 21. To close the magnetic field lines in the transformer 22, an envelope 25 is provided around the core 21 so that a coax construction is obtained.

30 An example of a satisfactorily functioning power cord has the following dimensions. The primary coil has a length l_1 of 3 cm and 330 turns. The secondary coil has a length l_3 and 114 turns. A piece of core which is not wound and has a length l_2 of 1 cm is

present between the two coils. The core is then approximately 5 cm long. The core has a diameter of 5 mm. The primary and the secondary coil have a diameter of between 5 and 8.5 mm. The Figure shows that the diameters of the primary and secondary coil are smaller than twice the largest axis of the power cord cross-section (which is the diameter in this case).

5 The envelope has a wall thickness of 1.4 mm. The total power cord has a diameter of approximately 1 cm. In this case, a polymer-ferrite composite, approximately 54 vol.% of which consists of pulverized MnZn ferrite, was used for the core in this case. At this percentage of ferrite, the magnetic induction is enough to obtain a satisfactory transformation at the chosen number of turns for the primary and secondary coil.

10 Fig. 3 is a diagrammatic cross-section of a part of a power cord according to the invention, in which the transformer is present in a helical part of the cord. The primary coil 30 and the secondary coil 31 are wound around a rod-shaped core 32 which is helical. Due to the resilient properties of the shape, the core needs to be less flexible than a rod-shaped core.

15 Fig. 4 is a diagrammatic cross-section of the plug 41 of an embodiment of a power cord 42 according to the invention, in which the transformer 43 is accommodated in the strain-relief grommet 44. The plug 41 is connected to the power cord 42. To ensure that the power cord cannot bend too sharply, a strain-relief grommet 44 is present between the head of the plug 41 and the power cord 42. The transformer 43 is accommodated in this strain-relief grommet 44. Consequently, the transformer 43 does not occupy any extra space.

CLAIMS:

1. A power cord having a first and a second end, provided with a power cord transformer comprising a core of ferromagnetic material, and a first wire wound around a part of the core as primary coil and a second wire wound around a part of the core as secondary coil, the ends of the first wire extending to the first end of the power cord and the ends of the second wire extending to the second end of the power cord, characterized in that the shape of the core and the coils is chosen to be such that the distance between any combination of two points on a single turn of the primary and secondary coil is smaller than twice the largest axis of the power cord cross-section.
5
- 10 2. A power cord as claimed in claim 1, characterized in that the core extends through at least 50% of the length of the power cord, and in that the core has a first and a second end, the primary coil being situated at the location of the first end of the core and the secondary coil being situated at the location of the second end of the core.
- 15 3. A power cord as claimed in claim 1 or 2, characterized in that the core is made of an intrinsic flexible material.
4. A power cord as claimed in claim 3, characterized in that the intrinsic flexible material consists of a composite comprising a magnetic flux-conducting material and a
20 polymer.
5. A power cord as claimed in claim 4, characterized in that the magnetic flux-conducting material comprises ferrite.
- 25 6. A power cord as claimed in claim 3, 4 or 5, characterized in that the core comprises a flat-folded ring, the primary coil and the secondary coil being situated at those locations of the ring which are furthest remote from each other.

7. A power cord as claimed in claim 3, 4 or 5, characterized in that the core is rod-shaped, the primary coil being situated on a first end of the rod and the secondary coil being situated on the second end of the rod, a tubular envelope of an intrinsic flexible magnetically conducting material around the core constituting a return path for the field lines.

5

8. A power cord as claimed in any one of the preceding claims, characterized in that the power cord is helical.

9. A power cord as claimed in claim 1, characterized in that the power cord
10 comprises a plug which is secured to the cord via a strain-relief grommet, and in that the transformer is accommodated in said strain-relief grommet.

1/1

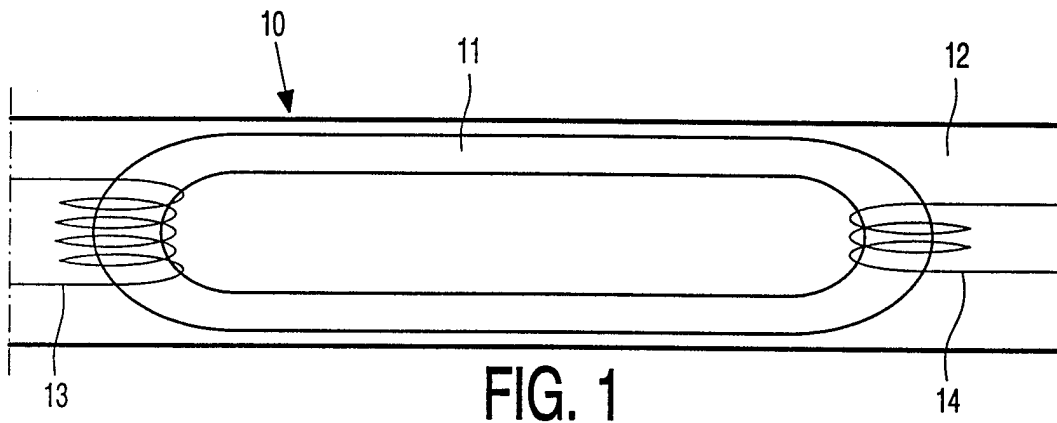


FIG. 1

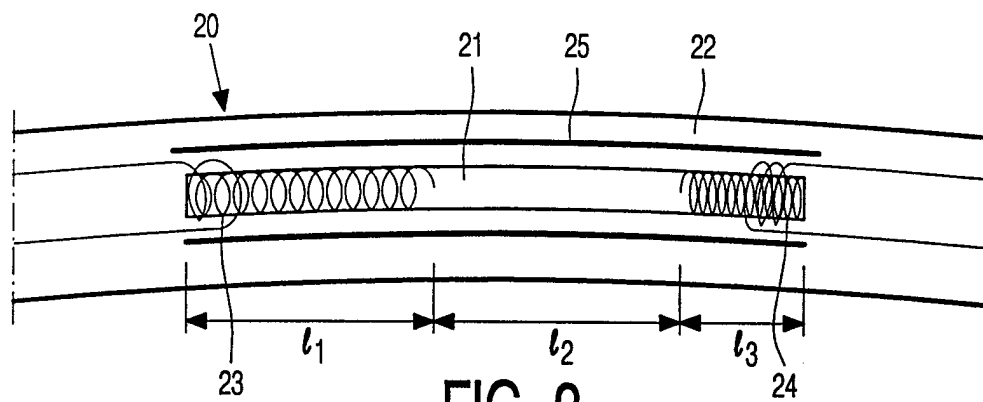


FIG. 2

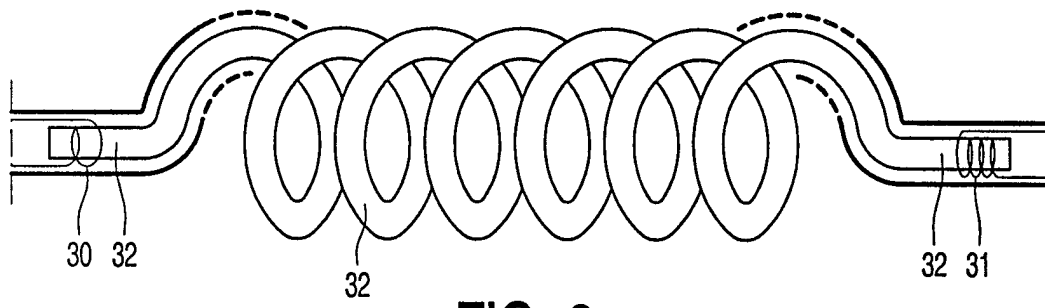


FIG. 3

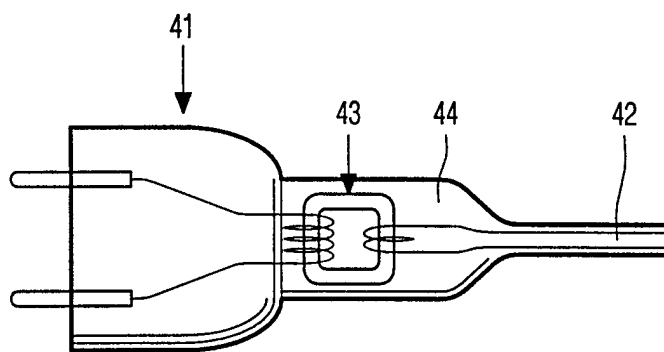


FIG. 4