

Explicit Solutions for Distributed, Boundary and Distributed-Boundary Elliptic Optimal Control Problems

Julieta Bollati * Claudia M. Gariboldi † Domingo A. Tarzia *

April 6, 2020

Abstract

We consider a steady-state heat conduction problem in a multidimensional bounded domain Ω for the Poisson equation with constant internal energy g and mixed boundary conditions given by a constant temperature b in the portion Γ_1 of the boundary and a constant heat flux q in the remaining portion Γ_2 of the boundary. Moreover, we consider a family of steady-state heat conduction problems with a convective condition on the boundary Γ_1 with heat transfer coefficient α and external temperature b . We obtain explicitly, for a rectangular domain in \mathbb{R}^2 , an annulus in \mathbb{R}^2 and a spherical shell in \mathbb{R}^3 , the optimal controls, the system states and adjoint states for the following optimal control problems: a *distributed* control problem on the internal energy g , a *boundary* optimal control problem on the heat flux q , a *boundary* optimal control problem on the external temperature b and a *distributed-boundary* simultaneous optimal control problem on the source g and the flux q . These explicit solutions can be used for testing new numerical methods as a benchmark test. In agreement with theory, it is proved that the system state, adjoint state, optimal controls and optimal values corresponding to the problem with a convective condition on Γ_1 converge, when $\alpha \rightarrow \infty$, to the corresponding system state, adjoint state, optimal controls and optimal values that arise from the problem with a temperature condition on Γ_1 . Also, we analyze the order of convergence in each case, which turns out to be $1/\alpha$ being new for these kind of elliptic optimal control problems.

Keywords: Elliptic variational equalities, distributed and boundary optimal control problems, mixed boundary conditions, explicit solutions, optimality conditions.

2000 AMS Subject Classification: 35C05, 35J25, 35J86, 35R35, 49J20, 49K20.

1 Introduction

The goal of this paper is to show the explicit solution for eight elliptic optimal control problems in two and three dimensional cases.

We consider a bounded domain Ω in \mathbb{R}^n ($n = 2, 3$), whose regular boundary Γ consist of the union of three disjoint portions Γ_1 , Γ_2 and Γ_3 with $meas(\Gamma_1) > 0$, $meas(\Gamma_2) > 0$ and $meas(\Gamma_3) \geq 0$. We present the following steady-state heat conduction problems S and S_α (for each parameter $\alpha > 0$) respectively, with mixed boundary conditions

$$\Delta u = g, \quad \text{in } \Omega \quad u|_{\Gamma_1} = b, \quad -\frac{\partial u}{\partial n}|_{\Gamma_2} = q, \quad \frac{\partial u}{\partial n}|_{\Gamma_3} = 0, \quad (1)$$

*Departamento de Matemática-CONICET, FCE, Univ. Austral, Paraguay 1950, S2000FZF Rosario, Argentina. E-mail: JBollati@austral.edu.ar; DTarzia@austral.edu.ar

†Departamento de Matemática, FCEFQyN, Univ. Nac. de Río Cuarto, Ruta 36 Km 601, 5800 Río Cuarto, Argentina. E-mail: cgariboldi@exa.unrc.edu.ar

$$-\Delta u_\alpha = g \quad \text{in } \Omega \quad -\frac{\partial u_\alpha}{\partial n}\Big|_{\Gamma_1} = \alpha(u - b), \quad -\frac{\partial u_\alpha}{\partial n}\Big|_{\Gamma_2} = q, \quad \frac{\partial u_\alpha}{\partial n}\Big|_{\Gamma_3} = 0, \quad (2)$$

where g is the internal energy in Ω , b is the temperature on Γ_1 for (1) and the temperature of the external neighborhood of Γ_1 for (2), q is the heat flux on Γ_2 and $\alpha > 0$ is the heat transfer coefficient on Γ_1 . The above problems can be considered as the steady-state Stefan problems, [10, 24, 25, 26]. Note that mixed boundary conditions play an important role in various applications, e.g. heat conduction and electric potential problems [15]. In general, the solution of a mixed elliptic boundary problems is not so regular [14] but there exist some examples which solutions are regular [1, 19, 23].

Let u and u_α the unique solutions of the elliptic problems (1) and (2), respectively. In relation with these state systems, we present the particular eight following optimal control problems [2, 20, 22, 28].

1.1 Distributed optimal control on the constant internal energy g

Following [11], we consider the distributed optimal control problems:

$$\text{find } g_{op} \in \mathbb{R} \quad \text{such that} \quad J_1(g_{op}) = \min_{g \in \mathbb{R}} J_1(g) \quad (3)$$

$$\text{find } g_{\alpha op} \in \mathbb{R} \quad \text{such that} \quad J_{1\alpha}(g_{\alpha op}) = \min_{g \in \mathbb{R}} J_{1\alpha}(g) \quad (4)$$

with $J_1 : \mathbb{R} \rightarrow \mathbb{R}_0^+$ and $J_{1\alpha} : \mathbb{R} \rightarrow \mathbb{R}_0^+$, given by

$$J_1(g) = \frac{1}{2} \|u_g - z_d\|_H^2 + \frac{M_1}{2} \|g\|_H^2 \quad \text{and} \quad J_{1\alpha}(g) = \frac{1}{2} \|u_{\alpha g} - z_d\|_H^2 + \frac{M_1}{2} \|g\|_H^2$$

with $H = L^2(\Omega)$, and where u_g and $u_{\alpha g}$ denote the unique solutions of the problems (1) and (2) respectively, for data $q \in \mathbb{R}$, $b \in \mathbb{R}$, $z_d \in \mathbb{R}$ and M_1 a positive constant.

1.2 Boundary optimal control on the constant heat flux q on Γ_2

Following [12], we formulate the boundary optimal control problems:

$$\text{find } q_{op} \in \mathbb{R} \quad \text{such that} \quad J_2(q_{op}) = \min_{q \in \mathbb{R}} J_2(q) \quad (5)$$

$$\text{find } q_{\alpha op} \in \mathbb{R} \quad \text{such that} \quad J_{2\alpha}(q_{\alpha op}) = \min_{q \in \mathbb{R}} J_{2\alpha}(q) \quad (6)$$

where $J_2 : \mathbb{R} \rightarrow \mathbb{R}_0^+$ and $J_{2\alpha} : \mathbb{R} \rightarrow \mathbb{R}_0^+$ given by

$$J_2(q) = \frac{1}{2} \|u_q - z_d\|_H^2 + \frac{M_2}{2} \|q\|_Q^2 \quad \text{and} \quad J_{2\alpha}(q) = \frac{1}{2} \|u_{\alpha q} - z_d\|_H^2 + \frac{M_2}{2} \|q\|_Q^2$$

with $Q = L^2(\Gamma_2)$ where u_q y $u_{\alpha q}$ are the unique solutions of the problems (1) and (2) respectively, for data $g \in \mathbb{R}$, $b \in \mathbb{R}$, $z_d \in \mathbb{R}$ and M_2 a positive constant.

1.3 Boundary optimal control on the constant temperature b in an external neighborhood of Γ_1

Following [3], we consider the boundary optimal control problems:

$$\text{find } b_{op} \in \mathbb{R} \quad \text{such that} \quad J_3(b_{op}) = \min_{b \in \mathbb{R}} J_3(b) \quad (7)$$

$$\text{find } b_{\alpha op} \in \mathbb{R} \quad \text{such that} \quad J_{3\alpha}(b_{\alpha op}) = \min_{b \in \mathbb{R}} J_{3\alpha}(b) \quad (8)$$

with $J_3 : \mathbb{R} \rightarrow \mathbb{R}_0^+$ and $J_{3\alpha} : \mathbb{R} \rightarrow \mathbb{R}_0^+$, given by

$$J_3(b) = \frac{1}{2} \|u_b - z_d\|_H^2 + \frac{M_3}{2} \|b\|_B^2$$

$$J_{3\alpha}(b) = \frac{1}{2} \|u_{\alpha b} - z_d\|_H^2 + \frac{M_3}{2} \|b\|_B^2$$

with $B = L^2(\Gamma_1)$, where u_b y $u_{\alpha b}$ are the unique solutions of the problems (1) and (2) respectively, for data $g \in \mathbb{R}$, $q \in \mathbb{R}$, $z_d \in \mathbb{R}$ and M_3 a positive constant.

1.4 Simultaneous distributed-boundary optimal control on the constant source g and the constant flux q

Following [13], we formulate the simultaneous distributed-boundary optimal control problems:

$$\text{find } (g, q)_{op} \in \mathbb{R} \times \mathbb{R} \text{ such that } J_4((g, q)_{op}) = \min_{g \in \mathbb{R}, q \in \mathbb{R}} J_4(g, q) \quad (9)$$

$$\text{find } (g, q)_{\alpha op} \in \mathbb{R} \times \mathbb{R} \text{ such that } J_{4\alpha}((g, q)_{\alpha op}) = \min_{g \in \mathbb{R}, q \in \mathbb{R}} J_{4\alpha}(g, q) \quad (10)$$

with the cost functional $J_4 : \mathbb{R} \times \mathbb{R} \rightarrow \mathbb{R}_0^+$ and $J_{4\alpha} : \mathbb{R} \times \mathbb{R} \rightarrow \mathbb{R}_0^+$ given by

$$J_4(g, q) = \frac{1}{2} \|u_{(g,q)} - z_d\|_H^2 + \frac{M_4}{2} \|g\|_H^2 + \frac{M_5}{2} \|q\|_Q^2$$

$$J_{4\alpha}(g, q) = \frac{1}{2} \|u_{\alpha(g,q)} - z_d\|_H^2 + \frac{M_4}{2} \|g\|_H^2 + \frac{M_5}{2} \|q\|_Q^2$$

where $u_{(g,q)}$ and $u_{\alpha(g,q)}$ are the unique solutions of the problems (1) and (2) respectively, for data $b \in \mathbb{R}$, $z_d \in \mathbb{R}$, M_4 and M_5 positive constants.

1.5 Adjoint states

We define the adjoint state corresponding to problems S and S_α as the unique solution of the following mixed elliptic problems, respectively.

$$-\Delta p = u - z_d, \quad \text{in } \Omega \quad p|_{\Gamma_1} = 0, \quad \frac{\partial p}{\partial n}|_{\Gamma_2} = 0, \quad \frac{\partial p}{\partial n}|_{\Gamma_3} = 0, \quad (11)$$

and

$$-\Delta p_\alpha = u_\alpha - z_d, \quad \text{in } \Omega \quad -\frac{\partial p_\alpha}{\partial n}|_{\Gamma_1} = \alpha p_\alpha, \quad \frac{\partial p_\alpha}{\partial n}|_{\Gamma_2} = 0, \quad \frac{\partial p_\alpha}{\partial n}|_{\Gamma_3} = 0 \quad (12)$$

with u and u_α given by the unique solution of (1) and (2), respectively. Other theoretical optimal control problems in the subject was done in [4, 5, 6, 7, 8, 9, 16, 17, 18, 21, 29].

In [3, 11, 12, 13] were obtained results of existence and uniqueness of the optimal controls, as well also convergence results, when the heat transfer coefficient α goes to infinity, of the optimal controls, the system states and the adjoint states, in suitable Sobolev spaces.

In Section 2, we calculate explicitly the optimal controls, the system states and the adjoint states, for the optimal control problems previously formulated, related to S and S_α respectively, in a rectangular domain in \mathbb{R}^2 . In Section 3 and Section 4, similar results are obtained in an annulus in \mathbb{R}^2 and a spherical shell in \mathbb{R}^3 , respectively. In all cases, we obtain, in agreement with theory, the convergence of the optimal controls and values when $\alpha \rightarrow \infty$ as it was obtained in [3, 11, 12, 13] and for numerical analysis in [27]. Also, the corresponding rates of convergence are studied, obtaining,

in Appendix A, that the order of convergence in each case is $1/\alpha$ which is new for these elliptic optimal control problems.

We remark that the expressions for the system states u , u_α , the adjoint states p , p_α , the functional cost J_i , $J_{i\alpha}$, $i = 1, \dots, 4$, and the optimal controls are defined for each particular domain, using the same notation.

2 Optimal solutions for a rectangle in \mathbb{R}^2

In this Section, we consider a rectangular domain in the plane, that is

$$\Omega_1 = \{(x, y) \in \mathbb{R}^2 : 0 < x < x_0, 0 < y < y_0\}$$

whose boundaries Γ_1 , Γ_2 and Γ_3 are given by (see Figure 1):

$$\Gamma_1 = \{(x, y) \in \mathbb{R}^2 : x = 0, 0 \leq y \leq y_0\}$$

$$\Gamma_2 = \{(x, y) \in \mathbb{R}^2 : x = x_0, 0 \leq y \leq y_0\}$$

$$\Gamma_3 = \{(x, y) \in \mathbb{R}^2 : y = 0, 0 < x < x_0\} \cup \{(x, y) \in \mathbb{R}^2 : y = y_0, 0 < x < x_0\}$$

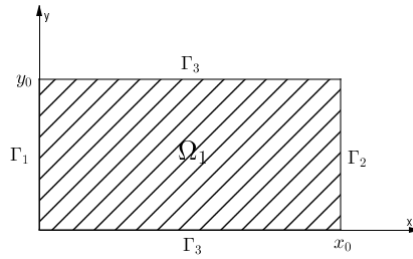


Figure 1

If we consider constant data g , b , α , q and the desired system state $z_d \in \mathbb{R}$, we obtain the following result, which proof is omitted:

Lemma 2.1. *i) The system state and adjoint state for the problem (1) and (11) respectively are given by:*

$$u(x, y) = u(x) = -g \frac{x^2}{2} + (gx_0 - q)x + b$$

$$p(x, y) = p(x) = g \frac{x^4}{24} - (gx_0 - q) \frac{x^3}{6} - (b - z_d) \frac{x^2}{2} + Ax$$

where $A = x_0 \left[g \frac{x_0^2}{3} - q \frac{x_0}{2} + (b - z_d) \right]$.

ii) The system state and adjoint state for the problem (2) and (12) respectively take the expressions:

$$u_\alpha(x, y) = u_\alpha(x) = -g \frac{x^2}{2} + (gx_0 - q)x + \frac{gx_0 - q}{\alpha} + b$$

$$p_\alpha(x, y) = p_\alpha(x) = g \frac{x^4}{24} - (gx_0 - q) \frac{x^3}{6} - \left(\frac{gx_0 - q}{\alpha} + (b - z_d) \right) \frac{x^2}{2} + A_\alpha x + \frac{A_\alpha}{\alpha}$$

where $A_\alpha = x_0 \left[gx_0^2 \left(\frac{1}{3} + \frac{1}{\alpha x_0} \right) - qx_0 \left(\frac{1}{2} - \frac{1}{\alpha x_0} \right) + (b - z_d) \right]$.

Remark 2.2. It is immediate that u_α converges to u and p_α to p , when $\alpha \rightarrow \infty$. Moreover, we can prove that there exists a positive constant $K_1 = K_1(x_0, y_0, g, q)$ such that:

$$\|u_\alpha - u\|_{H^1(\Omega_1)} = \|u_\alpha - u\|_{L^2(\Omega_1)} = \frac{K_1}{\alpha}$$

where

$$K_1 = (x_0 y_0)^{1/2} |q - g x_0|.$$

In the same way, a similar estimate can be obtained for the adjoint states p_α and p . It can be proved that there exists a positive constant $L_1 = L_1(x_0, y_0, g, q, b, z_d)$ such that:

$$\lim_{\alpha \rightarrow \infty} \alpha \|p_\alpha - p\|_{L^2(\Omega_1)} = L_1$$

where

$$L_1 = \left\{ \frac{x_0^3 y_0}{180} \left| 180(b + z_d)^2 + 129q^2 x_0^2 - 208gq x_0^3 + 84g^2 x_0^4 - 60(b - z_d)(5q x_0 - 4g x_0^2) \right| \right\}^{1/2}.$$

Next, we present the following lemma that will allow us to find the solution of the optimal control problems:

Lemma 2.3. *i) For the problem (1), it can be obtained that:*

$$\begin{aligned} \frac{1}{2} \|u - z_d\|_{L^2(\Omega_1)}^2 &= \frac{y_0}{2} \left[C_1 g^2 x_0^5 + C_2 q^2 x_0^3 + C_3 x_0 (b - z_d)^2 + C_4 g q x_0^4 \right. \\ &\quad \left. + C_5 g x_0^3 (b - z_d) + C_6 q x_0^2 (b - z_d) \right] \end{aligned}$$

with:

$$C_1 = \frac{2}{15}, \quad C_2 = \frac{1}{3}, \quad C_3 = 1, \quad C_4 = -\frac{5}{12}, \quad C_5 = \frac{2}{3}, \quad C_6 = -1.$$

ii) For the problem (2), we have:

$$\begin{aligned} \frac{1}{2} \|u_\alpha - z_d\|_{L^2(\Omega_1)}^2 &= \frac{y_0}{2} \left[C_{1\alpha} g^2 x_0^5 + C_{2\alpha} q^2 x_0^3 + C_{3\alpha} x_0 (b - z_d)^2 + C_{4\alpha} g q x_0^4 \right. \\ &\quad \left. + C_{5\alpha} g x_0^3 (b - z_d) + C_{6\alpha} q x_0^2 (b - z_d) \right] \end{aligned}$$

with:

$$\begin{aligned} C_{1\alpha} &= \frac{2}{15} + \frac{2}{3\alpha x_0} + \frac{1}{\alpha^2 x_0^2} & C_{2\alpha} &= \frac{1}{3} + \frac{1}{\alpha x_0} + \frac{1}{\alpha^2 x_0^2} & C_{3\alpha} &= 1 = C_3 \\ C_{4\alpha} &= -\frac{5}{12} - \frac{5}{3\alpha x_0} - \frac{2}{\alpha^2 x_0^2} & C_{5\alpha} &= \frac{2}{3} + \frac{2}{\alpha x_0} & C_{6\alpha} &= -1 - \frac{2}{\alpha x_0}. \end{aligned}$$

Remark 2.4. It is clear that $C_{i\alpha}$ converges to C_i , when $\alpha \rightarrow \infty$ for $i = 1, 2, \dots, 6$.

Theorem 2.5. *i) For the distributed optimal control problems (3) and (4), the optimal controls are given by:*

$$g_{op} = -\frac{C_4 q x_0 + C_5 (b - z_d)}{2x_0^2 \left(C_1 + \frac{M_1}{x_0^4} \right)} \quad (13)$$

$$g_{\alpha op} = -\frac{C_{4\alpha} q x_0 + C_{5\alpha} (b - z_d)}{2x_0^2 \left(C_{1\alpha} + \frac{M_1}{x_0^4} \right)} \quad (14)$$

and the optimal values are given by:

$$J_1(g_{op}) = \frac{x_0 y_0}{8 \left(C_1 + \frac{M_1}{x_0^4} \right)} \left[4 \left(C_1 + \frac{M_1}{x_0^4} \right) \left(C_2 q^2 x_0^2 + C_3 (b - z_d)^2 + C_6 q x_0 (b - z_d) \right) - \left(C_4 q x_0 + C_5 (b - z_d) \right)^2 \right] \quad (15)$$

and

$$J_{1\alpha}(g_{\alpha op}) = \frac{x_0 y_0}{8 \left(C_{1\alpha} + \frac{M_1}{x_0^4} \right)} \left[4 \left(C_{1\alpha} + \frac{M_1}{x_0^4} \right) \left(C_{2\alpha} q^2 x_0^2 + C_{3\alpha} (b - z_d)^2 + C_{6\alpha} q x_0 (b - z_d) \right) - \left(C_{4\alpha} q x_0 + C_{5\alpha} (b - z_d) \right)^2 \right] \quad (16)$$

ii) For the boundary optimal control problems (5) and (6), the optimal controls are given by:

$$q_{op} = - \frac{C_4 g x_0^2 + C_6 (b - z_d)}{2 x_0 \left(C_2 + \frac{M_2}{x_0^3} \right)} \quad (17)$$

$$q_{\alpha op} = - \frac{C_{4\alpha} g x_0^2 + C_{6\alpha} (b - z_d)}{2 x_0 \left(C_{2\alpha} + \frac{M_2}{x_0^3} \right)} \quad (18)$$

and the optimal values can be expressed as:

$$J_2(q_{op}) = \frac{x_0 y_0}{8 \left(C_2 + \frac{M_2}{x_0^3} \right)} \left[4 \left(C_2 + \frac{M_2}{x_0^3} \right) \left(C_1 g^2 x_0^4 + C_3 (b - z_d)^2 + C_5 g x_0^2 (b - z_d) \right) - \left(C_4 g x_0^2 + C_6 (b - z_d) \right)^2 \right] \quad (19)$$

and

$$J_{2\alpha}(q_{\alpha op}) = \frac{x_0 y_0}{8 \left(C_{2\alpha} + \frac{M_2}{x_0^3} \right)} \left[4 \left(C_{2\alpha} + \frac{M_2}{x_0^3} \right) \left(C_{1\alpha} g^2 x_0^4 + C_{3\alpha} (b - z_d)^2 + C_{5\alpha} g x_0^2 (b - z_d) \right) - \left(C_{4\alpha} g x_0^2 + C_{6\alpha} (b - z_d) \right)^2 \right] \quad (20)$$

iii) For the boundary optimal control problems (7) and (8), the optimal controls are given by:

$$b_{op} = - \frac{C_5 g x_0^2 + C_6 q x_0 - 2 C_3 z_d}{2 \left(C_3 + \frac{M_3}{x_0} \right)} \quad (21)$$

$$b_{\alpha op} = - \frac{C_{5\alpha} g x_0^2 + C_{6\alpha} q x_0 - 2 C_{3\alpha} z_d}{2 \left(C_{3\alpha} + \frac{M_3}{x_0} \right)} \quad (22)$$

and the optimal values are:

$$J_3(b_{op}) = \frac{x_0 y_0}{8 \left(C_3 + \frac{M_3}{x_0} \right)} \left[4 \left(C_3 + \frac{M_3}{x_0} \right) \left(C_1 g^2 x_0^4 + C_2 q^2 x_0^2 + C_3 z_d^2 + C_4 g q x_0^3 - C_5 g x_0^2 z_d - C_6 q x_0 z_d \right) - \left(-2 C_3 z_d + C_5 g x_0^2 + C_6 q x_0 \right)^2 \right] \quad (23)$$

and

$$J_{3\alpha}(b_{\alpha_{op}}) = \frac{x_0 y_0}{8 \left(C_{3\alpha} + \frac{M_3}{x_0} \right)} \left[4 \left(C_{3\alpha} + \frac{M_3}{x_0} \right) \left(C_{1\alpha} g^2 x_0^4 + C_{2\alpha} q^2 x_0^2 + C_{3\alpha} z_d^2 + C_{4\alpha} g q x_0^3 - C_{5\alpha} g x_0^2 z_d - C_{6\alpha} q x_0 z_d \right) - \left(-2C_{3\alpha} z_d + C_{5\alpha} g x_0^2 + C_{6\alpha} q x_0 \right)^2 \right]. \quad (24)$$

iv) For the distributed-boundary optimal control problem (9) and (10), the optimal solutions are given by:

$$(g, q)_{op} = (g^{op}, q^{op}) = \left(\frac{(b - z_d)}{x_0^2} \Delta_1, \frac{(b - z_d)}{x_0} \Pi_1 \right) \quad (25)$$

where

$$\Delta_1 = \frac{C_4 C_6 - 2C_5 \left(C_2 + \frac{M_5}{x_0^3} \right)}{4 \left(C_1 + \frac{M_4}{x_0^4} \right) \left(C_2 + \frac{M_5}{x_0^3} \right) - C_4^2}, \quad \Pi_1 = \frac{C_4 C_5 - 2C_6 \left(C_1 + \frac{M_4}{x_0^4} \right)}{4 \left(C_1 + \frac{M_4}{x_0^4} \right) \left(C_2 + \frac{M_5}{x_0^3} \right) - C_4^2}$$

and

$$(g, q)_{\alpha_{op}} = (g_{\alpha}^{op}, q_{\alpha}^{op}) = \left(\frac{(b - z_d)}{x_0^2} \Delta_{1\alpha}, \frac{(b - z_d)}{x_0} \Pi_{1\alpha} \right) \quad (26)$$

with

$$\Delta_{1\alpha} = \frac{C_{4\alpha} C_{6\alpha} - 2C_{5\alpha} \left(C_{2\alpha} + \frac{M_5}{x_0^3} \right)}{4 \left(C_{1\alpha} + \frac{M_4}{x_0^4} \right) \left(C_{2\alpha} + \frac{M_5}{x_0^3} \right) - C_{4\alpha}^2}, \quad \Pi_{1\alpha} = \frac{C_{4\alpha} C_{5\alpha} - 2C_{6\alpha} \left(C_{1\alpha} + \frac{M_4}{x_0^4} \right)}{4 \left(C_{1\alpha} + \frac{M_4}{x_0^4} \right) \left(C_{2\alpha} + \frac{M_5}{x_0^3} \right) - C_{4\alpha}^2}$$

obtaining the following optimal values:

$$J_4(g^{op}, q^{op}) = \frac{x_0 y_0 (b - z_d)^2}{2 \left(C_4^2 - 4 \left(C_1 + \frac{M_4}{x_0^4} \right) \left(C_2 + \frac{M_5}{x_0^3} \right) \right)} \left[-4C_3 \left(C_1 + \frac{M_4}{x_0^4} \right) \left(C_2 + \frac{M_5}{x_0^3} \right) + C_6^2 \left(C_1 + \frac{M_4}{x_0^4} \right) + C_5^2 \left(C_2 + \frac{M_5}{x_0^3} \right) + C_3 C_4^2 - C_4 C_5 C_6 \right] \quad (27)$$

and

$$J_{4\alpha}(g_{\alpha}^{op}, q_{\alpha}^{op}) = \frac{x_0 y_0 (b - z_d)^2}{2 \left(C_{4\alpha}^2 - 4 \left(C_{1\alpha} + \frac{M_4}{x_0^4} \right) \left(C_{2\alpha} + \frac{M_5}{x_0^3} \right) \right)} \left[-4C_{3\alpha} \left(C_{1\alpha} + \frac{M_4}{x_0^4} \right) \left(C_{2\alpha} + \frac{M_5}{x_0^3} \right) + C_{6\alpha}^2 \left(C_{1\alpha} + \frac{M_4}{x_0^4} \right) + C_{5\alpha}^2 \left(C_{2\alpha} + \frac{M_5}{x_0^3} \right) + C_{3\alpha} C_{4\alpha}^2 - C_{4\alpha} C_{5\alpha} C_{6\alpha} \right] \quad (28)$$

v) When $\alpha \rightarrow \infty$ the following convergences and estimates hold:

a) $g_{\alpha_{op}} \rightarrow g_{op}$ with $|g_{\alpha_{op}} - g_{op}| = \mathcal{O}\left(\frac{1}{\alpha}\right)$

b) $q_{\alpha_{op}} \rightarrow q_{op}$ with $|q_{\alpha_{op}} - q_{op}| = \mathcal{O}\left(\frac{1}{\alpha}\right)$

c) $b_{\alpha_{op}} \rightarrow b_{op}$ with $|b_{\alpha_{op}} - b_{op}| = \mathcal{O}\left(\frac{1}{\alpha}\right)$

d) $(g, q)_{\alpha_{op}} \rightarrow (g, q)_{op}$ with $|g_{\alpha}^{op} - g^{op}| = \mathcal{O}\left(\frac{1}{\alpha}\right)$ and $|q_{\alpha}^{op} - q^{op}| = \mathcal{O}\left(\frac{1}{\alpha}\right)$

Moreover, when $\alpha \rightarrow \infty$, we have:

a') $J_{1\alpha}(g_{\alpha_{op}}) \rightarrow J_1(g_{op})$ with $|J_{1\alpha}(g_{\alpha_{op}}) - J_1(g_{op})| = \mathcal{O}\left(\frac{1}{\alpha}\right)$

$$b') J_{2\alpha}(q_{\alpha_{op}}) \rightarrow J_2(q_{op}) \quad \text{with} \quad |J_{2\alpha}(q_{\alpha_{op}}) - J_2(q_{op})| = \mathcal{O}\left(\frac{1}{\alpha}\right)$$

$$c') J_{3\alpha}(b_{\alpha_{op}}) \rightarrow J_3(b_{op}) \quad \text{with} \quad |J_{3\alpha}(b_{\alpha_{op}}) - J_3(b_{op})| = \mathcal{O}\left(\frac{1}{\alpha}\right)$$

$$d') J_{4\alpha}((g, q)_{\alpha_{op}}) \rightarrow J_4((g, q)_{op}) \quad \text{with} \quad |J_{4\alpha}((g, q)_{\alpha_{op}}) - J_4((g, q)_{op})| = \mathcal{O}\left(\frac{1}{\alpha}\right).$$

Proof. i) Taking into account that the functional J_1 and $J_{1\alpha}$ are given by the following quadratic forms

$$J_1(g) = \frac{y_0}{2} \left[g^2 (C_1 x_0^5 + M_1 x_0) + g (C_4 q x_0^4 + C_5 x_0^3 (b - z_d)) \right. \\ \left. + C_2 q^2 x_0^3 + C_3 x_0 (b - z_d)^2 + C_6 q x_0^2 (b - z_d) \right]$$

and

$$J_{1\alpha}(g) = \frac{y_0}{2} \left[g^2 (C_{1\alpha} x_0^5 + M_1 x_0) + g (C_{4\alpha} q x_0^4 + C_{5\alpha} x_0^3 (b - z_d)) \right. \\ \left. + C_{2\alpha} q^2 x_0^3 + C_{3\alpha} x_0 (b - z_d)^2 + C_{6\alpha} q x_0^2 (b - z_d) \right]$$

we obtain that the optimal solutions g_{op} and $g_{\alpha_{op}}$ for the problems (3) and (4) are given by (13) and (14), respectively since the second derivative is positive in both cases.

In addition, if we evaluate the functional J_1 at g_{op} it is obtained formula (15). In a similar way, computing $J_{1\alpha}$ at $g_{\alpha_{op}}$ it can be derived the closed form (16).

ii) The functional J_2 and $J_{2\alpha}$ are given by the expressions:

$$J_2(q) = \frac{y_0}{2} \left[q^2 (C_2 x_0^3 + M_2) + q (C_4 g x_0^4 + C_6 x_0^2 (b - z_d)) \right. \\ \left. + C_1 g^2 x_0^5 + C_3 x_0 (b - z_d)^2 + C_5 g x_0^3 (b - z_d) \right]$$

and

$$J_{2\alpha}(q) = \frac{y_0}{2} \left[q^2 (C_{2\alpha} x_0^3 + M_2) + q (C_{4\alpha} g x_0^4 + C_{6\alpha} x_0^2 (b - z_d)) \right. \\ \left. + C_{1\alpha} g^2 x_0^5 + C_{3\alpha} x_0 (b - z_d)^2 + C_{5\alpha} g x_0^3 (b - z_d) \right]$$

and then the corresponding minimum are given by (17) and (18), respectively, since the second derivative is positive in both cases. Evaluating J_2 and $J_{2\alpha}$ at q_{op} and $q_{\alpha_{op}}$ respectively, and through computations, the formulas (19) and (20) can be obtained.

iii) For the problems (7) and (8), the functional J_3 and $J_{3\alpha}$ can be expressed as

$$J_3(b) = \frac{y_0}{2} \left[b^2 (C_3 x_0 + M_3) + b (-2C_3 x_0 z_d + C_5 g x_0^3 + C_6 q x_0^2) \right. \\ \left. + C_1 g^2 x_0^5 + C_2 q^2 x_0^3 + C_3 x_0 z_d^2 + C_4 g q x_0^4 - C_5 g x_0^3 z_d - C_6 q x_0^2 z_d \right]$$

and

$$J_{3\alpha}(b) = \frac{y_0}{2} \left[b^2 (C_{3\alpha} x_0 + M_3) + b (-2C_{3\alpha} x_0 z_d + C_{5\alpha} g x_0^3 + C_{6\alpha} q x_0^2) \right. \\ \left. + C_{1\alpha} g^2 x_0^5 + C_{2\alpha} q^2 x_0^3 + C_{3\alpha} x_0 z_d^2 + C_{4\alpha} g q x_0^4 - C_{5\alpha} g x_0^3 z_d - C_{6\alpha} q x_0^2 z_d \right]$$

and therefore the optimal controls are given by (21) and (22), respectively since the second derivative is positive in both cases. The formulas (23) and (24) are derived from evaluating J_3 and $J_{3\alpha}$ at b_{op} and $b_{\alpha_{op}}$.

iv) For the distributed-boundary optimal control problems (9) and (10), the functional J_4 and $J_{4\alpha}$ can be written as:

$$J_4(g, q) = \frac{y_0}{2} [g^2 (C_1 x_0^5 + M_4 x_0) + q^2 (C_2 x_0^3 + M_5) + C_4 g q x_0^4 \\ + C_5 g x_0^3 (b - z_d) + C_6 q x_0^2 (b - z_d) + C_3 x_0 (b - z_d)^2]$$

and

$$J_{4\alpha}(g, q) = \frac{y_0}{2} [g^2 (C_{1\alpha} x_0^5 + M_4 x_0) + q^2 (C_{2\alpha} x_0^3 + M_5) + C_{4\alpha} g q x_0^4 \\ + C_{5\alpha} g x_0^3 (b - z_d) + C_{6\alpha} q x_0^2 (b - z_d) + C_{3\alpha} x_0 (b - z_d)^2].$$

Therefore, the optimal solutions of the problems (9) and (10), take the form (25) and (26), respectively, due to the second partial derivative test. In addition, the optimal optimal values given by formulas (27) and (28) are deduced by evaluating J_4 at $(g, q)_{op}$ and $J_{4\alpha}$ at $(g, q)_{\alpha op}$.

v) The convergences can be easily proved by taking into account Remark 2.4 and the closed forms of the optimal controls and optimal values given by the preceding items (i)-(iv). Moreover, the following limits can be computed for the optimal controls:

$$\lim_{\alpha \rightarrow \infty} \alpha |g_{\alpha op} - g_{op}| = \frac{5x_0 \left| -150M_1 q x_0 + 4(45M_1 - 2)(b - z_d)x_0^4 + 5q x_0^5 \right|}{4(15M_1 + 2x_0^4)^2}$$

$$\lim_{\alpha \rightarrow \infty} \alpha |q_{\alpha op} - q_{op}| = \frac{x_0 \left| 60gM_2 x_0^2 + 5g x_0^5 + 12(6M_2 - x_0^3)(b - z_d) \right|}{8(3M_2 + x_0^3)^2}$$

$$\lim_{\alpha \rightarrow \infty} \alpha |b_{\alpha op} - b_{op}| = \frac{x_0 |q - g x_0|}{M_3 + x_0}$$

and for the simultaneous control we have:

$$\lim_{\alpha \rightarrow \infty} \alpha |g_\alpha^{op} - g^{op}| = \frac{40x_0(b - z_d)}{\mathcal{P}_1} \left| -207360M_4 M_5^2 - 8640M_4 M_5 x_0^3 - 1440M_4 x_0^6 + 18432M_5^2 x_0^4 \right. \\ \left. + 168M_5 x_0^7 + 3x_0^{10} \right|$$

$$\lim_{\alpha \rightarrow \infty} \alpha |q_\alpha^{op} - q^{op}| = \frac{8x_0(b - z_d)}{\mathcal{P}_1} \left| 1036800M_4^2 M_5 - 172800M_4^2 x_0^3 - 227520M_4 M_5 x_0^4 - 7080M_4 x_0^7 \right. \\ \left. - 768M_5 x_0^8 + 3x_0^{11} \right|$$

with

$$\mathcal{P}_1 = 3(2880M_4 M_5 + 960M_4 x_0^3 + 384M_5 x_0^4 + 3x_0^7)(320M_4(3M_5 + x_0^3) + 128M_5 x_0^4 + x_0^7)$$

In the case of the optimal values, we have:

$$\begin{aligned} \lim_{\alpha \rightarrow \infty} \alpha \left| J_{1\alpha}(g_{\alpha_{op}}) - J_1(g_{op}) \right| &= \frac{x_0 y_0}{192 (15M_1 + 2x_0^4)^2} \left| \left(40(b - z_d)x_0^3 + 3q(40M_1 + 3x_0^4) \right) \right. \\ &\quad \left. \left(8(b - z_d)(45M_1 + x_0^4) + qx_0(x_0^4 - 180M_1) \right) \right| \\ \lim_{\alpha \rightarrow \infty} \alpha \left| J_{2\alpha}(q_{\alpha_{op}}) - J_2(q_{op}) \right| &= \frac{x_0^2 y_0}{128 (3M_2 + x_0^3)^2} \left| \left(-4(b - z_d)x_0 + g(8M_2 + x_0^3) \right) \right. \\ &\quad \left. \left(12(b - z_d)(x_0^3 + 12M_2) + gx_0^2(48M_2 + x_0^3) \right) \right| \\ \left| J_{3\alpha}(b_{\alpha_{op}}) - J_3(b_{op}) \right| &= \frac{1}{\alpha} \left| \frac{M_3 x_0 y_0 (gx_0 - q) (2gx_0^2 - 3qx_0 - 6z_d)}{6(M_3 + x_0)} \right| \\ \lim_{\alpha \rightarrow \infty} \alpha \left| J_{4\alpha}(g_{\alpha}^{op}, q_{\alpha}^{op}) - J_4(g^{op}, q^{op}) \right| &= \frac{64x_0^3 y_0 (b - z_d)^2 (120M_4 + 80M_5 x_0 + x_0^4)}{3 \left(960M_4 M_5 + 320M_4 x_0^3 + 128M_5 x_0^4 + x_0^7 \right)^2} \\ &\quad \left(180M_4 M_5 + 15M_4 x_0^3 + 4M_5 x_0^4 + x_0^7 \right) \end{aligned}$$

□

3 Optimal solutions for an annulus in \mathbb{R}^2

We consider the following particular domain

$$\Omega_2 = \{(r, \theta) \in \mathbb{R}^2 : r_1 < r < r_2, 0 \leq \theta < 2\pi\}$$

with boundary Γ_1 and Γ_2 given by (see Figure 2):

$$\Gamma_1 = \{(r, \theta) \in \mathbb{R}^2 : r = r_1, 0 \leq \theta < 2\pi\}$$

$$\Gamma_2 = \{(r, \theta) \in \mathbb{R}^2 : r = r_2, 0 \leq \theta < 2\pi\}$$

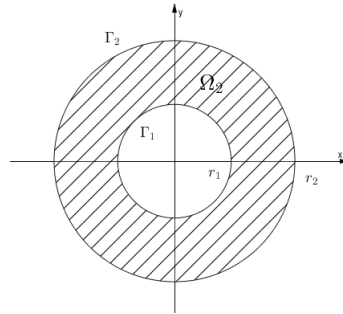


Figure 2

In similar way to previous Section, if we take constant data g, b, α, q and the desired system state $z_d \in \mathbb{R}$, we obtain the following result:

Lemma 3.1. *i) The system state and the adjoint state for the problem (1) are given by*

$$\begin{aligned} u(r, \theta) &= u(r) = g \frac{r_1^2}{2} \left(\left(\frac{r_2}{r_1} \right)^2 \log \left(\frac{r}{r_1} \right) - \frac{1}{2} \left(\frac{r}{r_1} \right)^2 + \frac{1}{2} \right) - qr_2 \log \left(\frac{r}{r_1} \right) + b \\ p(r, \theta) &= p(r) = g \frac{r_1^2 r^2}{8} \left(\frac{1}{8} \left(\frac{r}{r_1} \right)^2 - \frac{1}{2} - \left(\frac{r_2}{r_1} \right)^2 \left(\log \left(\frac{r}{r_1} \right) - 1 \right) \right) \\ &\quad + q \frac{r_2 r^2}{4} \left(\log \left(\frac{r}{r_1} \right) - 1 \right) - (b - z_d) \frac{r^2}{4} + D_1 \log \left(\frac{r}{r_1} \right) + D_2 \end{aligned}$$

where

$$\begin{aligned} D_1 &= \frac{r_2^2}{2} \left[g \frac{r_1^2}{2} \left(\left(\frac{r_2}{r_1} \right)^2 \left(\log \left(\frac{r_2}{r_1} \right) - \frac{3}{4} \right) + \frac{1}{2} \right) - qr_2 \left(\log \left(\frac{r_2}{r_1} \right) - \frac{1}{2} \right) + (b - z_d) \right] \\ D_2 &= \frac{r_1^2}{4} \left[g \frac{r_1^2}{2} \left(\frac{3}{8} - \left(\frac{r_2}{r_1} \right)^2 \right) + qr_2 + (b - z_d) \right]. \end{aligned}$$

ii) The system state and the adjoint state for the problem (2) are given by

$$\begin{aligned} u_\alpha(r, \theta) &= u_\alpha(r) = g \frac{r_1^2}{2} \left[\left(\frac{r_2}{r_1} \right)^2 \left(\log \left(\frac{r}{r_1} \right) + \frac{1}{\alpha r_1} \right) - \frac{1}{2} \left(\frac{r}{r_1} \right)^2 + \frac{1}{2} - \frac{1}{\alpha r_1} \right] \\ &\quad - qr_2 \left(\log \left(\frac{r}{r_1} \right) + \frac{1}{\alpha r_1} \right) + b \\ p_\alpha(r, \theta) &= p_\alpha(r) = g \frac{r_1^2 r^2}{8} \left[\frac{1}{8} \left(\frac{r}{r_1} \right)^2 - \frac{1}{2} - \left(\frac{r_2}{r_1} \right)^2 \left(\log \left(\frac{r}{r_1} \right) - 1 - \frac{r_1}{\alpha r_2} + \frac{1}{\alpha r_1} \right) \right] \\ &\quad + q \frac{r_2 r^2}{4} \left(\log \left(\frac{r}{r_1} \right) - 1 + \frac{1}{\alpha r_1} \right) - (b - z_d) \frac{r^2}{4} \\ &\quad + D_{1\alpha} \log \left(\frac{r}{r_1} \right) + D_{2\alpha} \end{aligned}$$

where

$$\begin{aligned} D_{1\alpha} &= \frac{r_2^2}{2} \left[g \frac{r_1^2}{2} \left(\left(\frac{r_2}{r_1} \right)^2 \left(\log \left(\frac{r_2}{r_1} \right) - \frac{3}{4} + \frac{1}{\alpha r_1} \right) + \frac{1}{2} - \frac{1}{\alpha r_1} \right) \right. \\ &\quad \left. - qr_2 \left(\log \left(\frac{r_2}{r_1} \right) - \frac{1}{2} + \frac{1}{\alpha r_1} \right) + (b - z_d) \right] \\ D_{2\alpha} &= \frac{r_1^2}{4} \left[g \frac{r_1^2}{2} \left(\frac{3}{8} - \left(\frac{r_2}{r_1} \right)^2 \left(1 + \frac{r_1}{\alpha r_2} - \frac{2}{\alpha r_1} + \frac{2}{\alpha^2 r_1^2} \right) + \frac{2}{\alpha^2 r_1^2} - \frac{1}{2\alpha r_1} \right) \right. \\ &\quad \left. + qr_2 \left(1 - \frac{2}{\alpha r_1} + \frac{2}{\alpha^2 r_1^2} \right) + (b - z_d) \left(1 - \frac{2}{\alpha r_1} \right) \right] + \frac{D_{1\alpha}}{\alpha r_1}. \end{aligned}$$

Remark 3.2. *From the formulas given above, it is clear that u_α converges to u and p_α to p , when $\alpha \rightarrow \infty$. Furthermore, we can prove that there exists a positive constant $K_2 = K_2(r_1, r_2, g, q)$ such that:*

$$\|u_\alpha - u\|_{H^1(\Omega_2)} = \|u_\alpha - u\|_{L^2(\Omega_2)} = \frac{K_2}{\alpha}$$

where

$$K_2 = \frac{\sqrt{\pi} (r_2^2 - r_1^2)^{1/2} |2qr_2 - g(r_2^2 - r_1^2)|}{2r_1}.$$

In the same way, a similar estimate can be obtained for the adjoint states p_α and p . In Appendix A, it is proved that there exists a positive constant $L_2 = L_2(r_1, r_2, g, q, b, z_d)$ such that:

$$\lim_{\alpha \rightarrow \infty} \alpha \|p_\alpha - p\|_{L^2(\Omega_2)} = L_2$$

Now, we present the following lemma that will allow us to obtain the explicit solutions for the optimal control problems on the annulus in \mathbb{R}^2 .

Lemma 3.3. *i) For the problem (1), it can be obtained that:*

$$\frac{1}{2}\|u - z_d\|_{L^2(\Omega_2)}^2 = \pi [E_1 g^2 r_1^6 + E_2 q^2 r_1^4 + E_3 r_1^2 (b - z_d)^2 + E_4 g q r_1^5 + E_5 g r_1^4 (b - z_d) + E_6 q r_1^3 (b - z_d)]$$

with:

$$\begin{aligned} E_1 &= \frac{1}{8} \left[-\frac{1}{12} + \frac{5}{8} \left(\frac{r_2}{r_1}\right)^2 + \left(\frac{r_2}{r_1}\right)^4 \left(\log\left(\frac{r_2}{r_1}\right) - \frac{5}{4}\right) + \left(\frac{r_2}{r_1}\right)^6 \left(\log^2\left(\frac{r_2}{r_1}\right) - \frac{3}{2} \log\left(\frac{r_2}{r_1}\right) + \frac{17}{24}\right) \right] \\ E_2 &= \frac{1}{4} \left(-\left(\frac{r_2}{r_1}\right)^2 + \left(\frac{r_2}{r_1}\right)^4 \left(2 \log^2\left(\frac{r_2}{r_1}\right) - 2 \log\left(\frac{r_2}{r_1}\right) + 1\right) \right) \\ E_3 &= \frac{1}{2} \left(-1 + \left(\frac{r_2}{r_1}\right)^2 \right) \\ E_4 &= \frac{1}{4} \left[-\frac{3}{8} \left(\frac{r_2}{r_1}\right) + \left(\frac{r_2}{r_1}\right)^3 \left(\frac{3}{2} - \log\left(\frac{r_2}{r_1}\right)\right) + \left(\frac{r_2}{r_1}\right)^5 \left(-2 \log^2\left(\frac{r_2}{r_1}\right) + \frac{5}{2} \log\left(\frac{r_2}{r_1}\right) - \frac{9}{8}\right) \right] \\ E_5 &= \frac{1}{2} \left(-\frac{1}{4} + \left(\frac{r_2}{r_1}\right)^2 + \left(\frac{r_2}{r_1}\right)^4 \left(\log\left(\frac{r_2}{r_1}\right) - \frac{3}{4}\right) \right) \\ E_6 &= -\left(\frac{1}{2} \left(\frac{r_2}{r_1}\right) + \left(\frac{r_2}{r_1}\right)^3 \left(\log\left(\frac{r_2}{r_1}\right) - \frac{1}{2}\right) \right) \end{aligned}$$

ii) For the problem (2), we have:

$$\begin{aligned} \frac{1}{2}\|u - z_d\|_{L^2(\Omega_2)}^2 &= \pi [E_{1\alpha} g^2 r_1^6 + E_{2\alpha} q^2 r_1^4 + E_{3\alpha} r_1^2 (b - z_d)^2 + \\ &\quad + E_{4\alpha} g q r_1^5 + E_{5\alpha} g r_1^4 (b - z_d) + E_{6\alpha} q r_1^3 (b - z_d)] \end{aligned}$$

with

$$\begin{aligned} E_{1\alpha} &= \frac{1}{8} \left[-\frac{1}{12} + \frac{1}{2\alpha r_1} - \frac{1}{\alpha^2 r_1^2} + \left(\frac{r_2}{r_1}\right)^2 \left(\frac{5}{8} - \frac{5}{2\alpha r_1} + \frac{3}{\alpha^2 r_1^2}\right) \right. \\ &\quad + \left(\frac{r_2}{r_1}\right)^4 \left(\log\left(\frac{r_2}{r_1}\right) - \frac{5}{4} + \frac{1}{\alpha r_1} \left(\frac{7}{2} - 2 \log\left(\frac{r_2}{r_1}\right)\right) - \frac{3}{\alpha^2 r_1^2}\right) \\ &\quad \left. + \left(\frac{r_2}{r_1}\right)^6 \left(\log^2\left(\frac{r_2}{r_1}\right) - \frac{3}{2} \log\left(\frac{r_2}{r_1}\right) + \frac{17}{24} - \frac{3}{2\alpha r_1} + \frac{2}{\alpha r_1} \log\left(\frac{r_2}{r_1}\right) + \frac{1}{\alpha^2 r_1^2}\right) \right] \\ E_{2\alpha} &= \frac{1}{4} \left[-\left(\frac{r_2}{r_1}\right)^2 \left(1 + \frac{2}{\alpha^2 r_1^2} - \frac{2}{\alpha r_1}\right) \right. \\ &\quad \left. + \left(\frac{r_2}{r_1}\right)^4 \left(2 \log^2\left(\frac{r_2}{r_1}\right) - 2 \log\left(\frac{r_2}{r_1}\right) + 1 + \frac{2}{\alpha^2 r_1^2} + \frac{1}{\alpha r_1} \left(4 \log\left(\frac{r_2}{r_1}\right) - 2\right)\right) \right] \\ E_{3\alpha} &= E_3 = \frac{1}{2} \left(-1 + \left(\frac{r_2}{r_1}\right)^2 \right) \\ E_{4\alpha} &= \frac{1}{4} \left[\frac{r_2}{r_1} \left(-\frac{3}{8} + \frac{3}{2\alpha r_1} - \frac{2}{\alpha^2 r_1^2}\right) \right. \\ &\quad + \left(\frac{r_2}{r_1}\right)^3 \left(\frac{3}{2} - \log\left(\frac{r_2}{r_1}\right) + \frac{1}{\alpha r_1} \left(2 \log\left(\frac{r_2}{r_1}\right) - 4\right) + \frac{4}{\alpha^2 r_1^2}\right) \\ &\quad \left. + \left(\frac{r_2}{r_1}\right)^5 \left(-2 \log^2\left(\frac{r_2}{r_1}\right) + \frac{5}{2} \log\left(\frac{r_2}{r_1}\right) - \frac{9}{8} - \frac{4}{\alpha r_1} \log\left(\frac{r_2}{r_1}\right) + \frac{5}{2\alpha r_1} - \frac{2}{\alpha^2 r_1^2}\right) \right] \\ E_{5\alpha} &= \frac{1}{2} \left[-\frac{1}{4} + \frac{1}{\alpha r_1} + \left(\frac{r_2}{r_1}\right)^2 \left(1 - \frac{2}{\alpha r_1}\right) + \left(\frac{r_2}{r_1}\right)^4 \left(\log\left(\frac{r_2}{r_1}\right) - \frac{3}{4} + \frac{1}{\alpha r_1}\right) \right] \\ E_{6\alpha} &= -\left(\frac{r_2}{r_1} \left(\frac{1}{2} - \frac{1}{\alpha r_1}\right) + \left(\frac{r_2}{r_1}\right)^3 \left(\log\left(\frac{r_2}{r_1}\right) - \frac{1}{2} + \frac{1}{\alpha r_1}\right) \right). \end{aligned}$$

Remark 3.4. It is immediate that $E_{i\alpha}$ converges to E_i , when $\alpha \rightarrow \infty$ for $i = 1, 2, \dots, 6$.

Theorem 3.5. i) For the distributed optimal control problems (3) and (4), the optimal solutions are given by:

$$g_{op} = -\frac{E_4qr_1 + E_5(b - z_d)}{2r_1^2 \left(E_1 + E_3 \frac{M_1}{r_1^4} \right)} \quad (29)$$

and

$$g_{\alpha op} = -\frac{E_{4\alpha}qr_1 + E_{5\alpha}(b - z_d)}{2r_1^2 \left(E_{1\alpha} + E_{3\alpha} \frac{M_1}{r_1^4} \right)} \quad (30)$$

and the optimal values can be expressed as:

$$J_1(g_{op}) = \frac{\pi r_1^2 \left[4 \left(E_1 + E_3 \frac{M_1}{r_1^4} \right) (E_2q^2r_1^2 + E_3(b - z_d)^2 + E_6qr_1(b - z_d)) - (E_4qr_1 + E_5(b - z_d))^2 \right]}{4 \left(E_1 + E_3 \frac{M_1}{r_1^4} \right)} \quad (31)$$

and

$$J_{1\alpha}(g_{\alpha op}) = \frac{\pi r_1^2 \left[4 \left(E_{1\alpha} + E_{3\alpha} \frac{M_1}{r_1^4} \right) (E_{2\alpha}q^2r_1^2 + E_{3\alpha}(b - z_d)^2 + E_{6\alpha}qr_1(b - z_d)) - (E_{4\alpha}qr_1 + E_{5\alpha}(b - z_d))^2 \right]}{4 \left(E_{1\alpha} + E_{3\alpha} \frac{M_1}{r_1^4} \right)} \quad (32)$$

ii) For the boundary optimal control problems (5) and (6), the optimal solutions are given by:

$$q_{op} = -\frac{E_4gr_1^2 + E_6(b - z_d)}{2r_1 \left(E_2 + \frac{M_2r_2}{r_1^4} \right)} \quad (33)$$

and

$$q_{\alpha op} = -\frac{E_{4\alpha}gr_1^2 + E_{6\alpha}(b - z_d)}{2r_1 \left(E_{2\alpha} + \frac{M_2r_2}{r_1^4} \right)} \quad (34)$$

where the optimal values are given by:

$$J_2(q_{op}) = \frac{\pi r_1^2 \left[4 \left(E_2 + \frac{M_2r_2}{r_1^4} \right) (E_1g^2r_1^4 + E_3(b - z_d)^2 + E_5gr_1^2(b - z_d)) - (E_4gr_1^2 + E_6(b - z_d))^2 \right]}{4 \left(E_2 + \frac{M_2r_2}{r_1^4} \right)} \quad (35)$$

and

$$J_{2\alpha}(q_{\alpha op}) = \frac{\pi r_1^2 \left[4 \left(E_{2\alpha} + \frac{M_2r_2}{r_1^4} \right) (E_{1\alpha}g^2r_1^4 + E_{3\alpha}(b - z_d)^2 + E_{5\alpha}gr_1^2(b - z_d)) - (E_{4\alpha}gr_1^2 + E_{6\alpha}(b - z_d))^2 \right]}{4 \left(E_{2\alpha} + \frac{M_2r_2}{r_1^4} \right)} \quad (36)$$

iii) For the boundary optimal control problems (7) and (8), the optimal controls are given by

$$b_{op} = -\frac{E_5gr_1^2 + E_6qr_1 - 2E_3z_d}{2 \left(E_3 + \frac{M_3}{r_1} \right)} \quad (37)$$

and

$$b_{\alpha op} = -\frac{E_{5\alpha}gr_1^2 + E_{6\alpha}qr_1 - 2E_{3\alpha}z_d}{2 \left(E_{3\alpha} + \frac{M_3}{r_1} \right)} \quad (38)$$

respectively. In addition, the optimal values are given by:

$$J_3(b_{op}) = \left[4 \left(E_3 + \frac{M_3}{r_1} \right) (E_1 g^2 r_1^4 + E_2 q^2 r_1^2 + E_3 z_d^2 + E_4 g q r_1^3 - E_5 g r_1^2 z_d - E_6 q r_1 z_d) - (-2E_3 z_d + E_5 g r_1^2 + E_6 q r_1)^2 \right] \frac{\pi r_1^2}{4 \left(E_3 + \frac{M_3}{r_1} \right)} \quad (39)$$

and

$$J_{3\alpha}(b_{\alpha op}) = \left[4 \left(E_{3\alpha} + \frac{M_3}{r_1} \right) (E_{1\alpha} g^2 r_1^4 + E_{2\alpha} q^2 r_1^2 + E_{3\alpha} z_d^2 + E_{4\alpha} g q r_1^3 - E_{5\alpha} g r_1^2 z_d - E_{6\alpha} q r_1 z_d) - (-2E_{3\alpha} z_d + E_{5\alpha} g r_1^2 + E_{6\alpha} q r_1)^2 \right] \frac{\pi r_1^2}{4 \left(E_{3\alpha} + \frac{M_3}{r_1} \right)}. \quad (40)$$

iv) For the distributed-boundary optimal control problem (9) and (10), the optimal solutions are given by

$$(g, q)_{op} = (g^{op}, q^{op}) = \left(\frac{(b - z_d)}{r_1^2} \Delta_2, \frac{(b - z_d)}{r_1} \Pi_2 \right) \quad (41)$$

with

$$\Delta_2 = \frac{E_4 E_6 - 2E_5 \left(E_2 + \frac{M_5 r_2}{r_1^4} \right)}{4 \left(E_1 + E_3 \frac{M_4}{r_1^4} \right) \left(E_2 + \frac{M_5 r_2}{r_1^4} \right) - E_4^2}, \quad \Pi_2 = \frac{E_4 E_5 - 2E_6 \left(E_1 + E_3 \frac{M_4}{r_1^4} \right)}{4 \left(E_1 + E_3 \frac{M_4}{r_1^4} \right) \left(E_2 + \frac{M_5 r_2}{r_1^4} \right) - E_4^2}$$

and

$$(g, q)_{\alpha op} = (g_{\alpha}^{op}, q_{\alpha}^{op}) = \left(\frac{(b - z_d)}{r_1^2} \Delta_{2\alpha}, \frac{(b - z_d)}{r_1} \Pi_{2\alpha} \right) \quad (42)$$

where

$$\Delta_{2\alpha} = \frac{E_{4\alpha} E_{6\alpha} - 2E_{5\alpha} \left(E_{2\alpha} + \frac{M_5 r_2}{r_1^4} \right)}{4 \left(E_{1\alpha} + E_{3\alpha} \frac{M_4}{r_1^4} \right) \left(E_{2\alpha} + \frac{M_5 r_2}{r_1^4} \right) - E_{4\alpha}^2}, \quad \Pi_{2\alpha} = \frac{E_{4\alpha} E_{5\alpha} - 2E_{6\alpha} \left(E_{1\alpha} + E_{3\alpha} \frac{M_4}{r_1^4} \right)}{4 \left(E_{1\alpha} + E_{3\alpha} \frac{M_4}{r_1^4} \right) \left(E_{2\alpha} + \frac{M_5 r_2}{r_1^4} \right) - E_{4\alpha}^2}$$

Moreover, the optimal values are given by

$$J_4(g^{op}, q^{op}) = \frac{\pi r_1^2 (b - z_d)^2}{\left(4 \left(E_1 + E_3 \frac{M_4}{r_1^4} \right) \left(E_2 + \frac{M_5 r_2}{r_1^4} \right) - E_4^2 \right)} \left[4E_3 \left(E_1 + E_3 \frac{M_4}{r_1^4} \right) \left(E_2 + \frac{M_5 r_2}{r_1^4} \right) - E_6^2 \left(E_1 + E_3 \frac{M_4}{r_1^4} \right) - E_5^2 \left(E_2 + \frac{M_5 r_2}{r_1^4} \right) - E_3 E_4^2 + E_4 E_5 E_6 \right] \quad (43)$$

and

$$J_{4\alpha}(g_{\alpha}^{op}, q_{\alpha}^{op}) = \frac{\pi r_1^2 (b - z_d)^2}{\left(4 \left(E_{1\alpha} + E_{3\alpha} \frac{M_4}{r_1^4} \right) \left(E_{2\alpha} + \frac{M_5 r_2}{r_1^4} \right) - E_{4\alpha}^2 \right)} \left[4E_{3\alpha} \left(E_{1\alpha} + E_{3\alpha} \frac{M_4}{r_1^4} \right) \left(E_{2\alpha} + \frac{M_5 r_2}{r_1^4} \right) - E_{6\alpha}^2 \left(E_{1\alpha} + E_{3\alpha} \frac{M_4}{r_1^4} \right) - E_{5\alpha}^2 \left(E_{2\alpha} + \frac{M_5 r_2}{r_1^4} \right) - E_{3\alpha} E_{4\alpha}^2 + E_{4\alpha} E_{5\alpha} E_{6\alpha} \right] \quad (44)$$

v) The convergences and estimates obtained in (v) of Theorem 2.5 also hold for the annulus in \mathbb{R}^2 .

Proof. i) Taking into account that the functional J_1 and $J_{1\alpha}$ can be expressed in the following quadratic forms:

$$J_1(g) = \pi \left[g^2 (E_1 r_1^6 + M_1 E_3 r_1^2) + g (E_4 q r_1^5 + E_5 (b - z_d) r_1^4) + (E_2 q^2 r_1^4 + E_3 (b - z_d)^2 r_1^2 + E_6 q r_1^2 (b - z_d)) \right]$$

and

$$J_{1\alpha}(g) = \pi [g^2 (E_{1\alpha}r_1^6 + M_1E_{3\alpha}r_1^2) + g (E_{4\alpha}qr_1^5 + E_{5\alpha}(b - z_d)r_1^4) \\ + (E_{2\alpha}q^2r_1^4 + E_{3\alpha}(b - z_d)^2r_1^2 + E_{6\alpha}qr_1^2(b - z_d))]]$$

it can be obtained that the optimal solutions g_{op} and $g_{\alpha_{op}}$ for the problems (3) and (4) are given by (29) and (30), respectively, since the second derivative is positive in both cases. The optimal values formulas (31) and (32) are deduced by evaluating J_1 and $J_{1\alpha}$ at g_{op} and $g_{\alpha_{op}}$, respectively.

ii) The functional J_2 and $J_{2\alpha}$ are given by the expressions:

$$J_2(q) = \pi [q^2 (E_2r_1^4 + M_2r_2) + q (E_4r_1^5g + E_6r_1^3(b - z_d)) \\ + (E_1r_1^6g^2 + E_3r_1^2(b - z_d)^2 + E_5r_1^4g(b - z_d))]]$$

and

$$J_{2\alpha}(q) = \pi [q^2 (E_{2\alpha}r_1^4 + M_2r_2) + q (E_{4\alpha}r_1^5g + E_{6\alpha}r_1^3(b - z_d)) \\ + (E_{1\alpha}r_1^6g^2 + E_{3\alpha}r_1^2(b - z_d)^2 + E_{5\alpha}r_1^4g(b - z_d))]] .$$

Therefore it is immediate that the optimal controls for problems (5) and (6) are given by (33) and (34), respectively, since the second derivative is positive in both cases.

The computation of $J_2(q_{op})$ and $J_{2\alpha}(q_{\alpha_{op}})$ leads to the closed formulas (35) and (36) for the optimal values of the control problems.

iii) For the problems (7) and (8), the functional J_3 and $J_{3\alpha}$ are given by

$$J_3(b) = \pi [(E_3r_1^2 + M_3r_1) b^2 + (-2z_dE_3r_1^2 + E_5r_1^4g + E_6r_1^3q) b \\ + (E_1r_1^6g^2 + E_2r_1^4q^2 + E_3r_1^2z_d^2 + E_4r_1^5gq - E_5r_1^4gz_d - E_6r_1^3qz_d)]]$$

and

$$J_{3\alpha}(b) = \pi [(E_{3\alpha}r_1^2 + M_3r_1) b^2 + (-2z_dE_{3\alpha}r_1^2 + E_{5\alpha}r_1^4g + E_{6\alpha}r_1^3q) b \\ + (E_{1\alpha}r_1^6g^2 + E_{2\alpha}r_1^4q^2 + E_{3\alpha}r_1^2z_d^2 + E_{4\alpha}r_1^5gq - E_{5\alpha}r_1^4gz_d - E_{6\alpha}r_1^3qz_d)]] .$$

Therefore the optimal controls are given by (37) and (38), respectively, since the second derivative is positive in both cases.

The optimal values given by expressions (39) and (40) are obtained by computing J_3 and $J_{3\alpha}$ at b_{op} and $b_{\alpha_{op}}$, respectively.

iv) For the distributed-boundary optimal control problems (9) and (10), the functional J_4 can be expressed as

$$J_4(g, q) = \pi [(E_1r_1^6 + M_4E_3r_1^2)g^2 + (E_2r_1^4 + M_5r_2)q^2 + E_4r_1^5gq \\ + E_5r_1^4g(b - z_d) + E_6r_1^3q(b - z_d) + E_3r_1^2(b - z_d)^2]$$

and the functional $J_{4\alpha}$ is given by:

$$J_{4\alpha}(g, q) = \pi [(E_{1\alpha}r_1^6 + M_4E_{3\alpha}r_1^2)g^2 + (E_{2\alpha}r_1^4 + M_5r_2)q^2 + E_{4\alpha}r_1^5gq \\ + E_{5\alpha}r_1^4g(b - z_d) + E_{6\alpha}r_1^3q(b - z_d) + E_{3\alpha}r_1^2(b - z_d)^2]$$

from where it can be obtained that the optimal solutions are given by (41) and (42), respectively, due to the second partial derivative test. Formulas (43) and (44) are deduced by evaluating J_4 at $(g, q)_{op}$ and $J_{4\alpha}$ at $(g, q)_{\alpha_{op}}$.

v) The convergences and estimates of the optimal controls and the optimal values when $\alpha \rightarrow \infty$ are obtained by taking into account the closed formulas given in (i)-(iv) and the Remark 3.4. As the computations become cumbersome, they can be found in the Appendix A. \square

4 Optimal solutions for a spherical shell in \mathbb{R}^3

We consider the particular domain

$$\Omega_3 = \{(r, \theta, \phi) : r_1 < r < r_2; 0 \leq \theta < 2\pi; 0 \leq \phi \leq \pi\}$$

with boundary $\Gamma = \cup_{i=1}^2 \Gamma_i$, where

$$\Gamma_1 = \{(r_1, \theta, \phi) \in \mathbb{R}^3 : 0 \leq \theta < 2\pi, 0 \leq \phi \leq \pi\}$$

$$\Gamma_2 = \{(r_2, \theta, \phi) \in \mathbb{R}^3 : 0 \leq \theta < 2\pi, 0 \leq \phi \leq \pi\}.$$

In similar way to previous Sections, if we take constant data g, b, α, q and the desired system state $z_d \in \mathbb{R}$, we obtain the following result:

Lemma 4.1. *i) The system state and the adjoint state for the problem (1) are given by*

$$\begin{aligned} u(r, \theta, \phi) = u(r) &= g \frac{r_1^2}{3} \left[\frac{1}{2} - \frac{1}{2} \left(\frac{r}{r_1} \right)^2 + \left(\frac{r_2}{r_1} \right)^3 - \frac{r_2}{r} \left(\frac{r_2}{r_1} \right)^2 \right] + q \frac{r_2^2}{r_1} \left(\frac{r_1}{r} - 1 \right) + b \\ p(r, \theta, \phi) = p(r) &= gr_1^2 \frac{r^2}{6} \left(\frac{1}{20} \left(\frac{r}{r_1} \right)^2 + \left(\frac{r_2}{r} \right) \left(\frac{r_2}{r_1} \right)^2 - \frac{1}{3} \left(\frac{r_2}{r_1} \right)^3 - \frac{1}{6} \right) \\ &\quad + qr_1^2 \frac{r}{2} \left(\frac{r}{3r_1} - 1 \right) - \frac{r^2}{6} (b - z_d) + \frac{F_1}{r} + F_2 \end{aligned}$$

where

$$\begin{aligned} F_1 &= gr_1^2 r_2^3 \left(-\frac{1}{9} \left(\frac{r_2}{r_1} \right)^3 + \frac{1}{5} \left(\frac{r_2}{r_1} \right)^2 - \frac{1}{18} \right) + qr_2^4 \left(\frac{1}{3} \left(\frac{r_2}{r_1} \right) - \frac{1}{2} \right) - \frac{r_2^3}{3} (b - z_d) \\ F_2 &= g \frac{r_1^4}{9} \left(\frac{7}{40} - \left(\frac{r_2}{r_1} \right)^3 \right) + qr_1 \frac{r_2^2}{3} + \frac{r_1^2}{6} (b - z_d) - \frac{F_1}{r_1}. \end{aligned}$$

ii) The system state and the adjoint state for the problem (2) are given by

$$\begin{aligned} u_\alpha(r, \theta, \phi) = u_\alpha(r) &= g \frac{r_1^2}{3} \left[\frac{1}{2} - \frac{1}{\alpha r_1} - \frac{1}{2} \left(\frac{r}{r_1} \right)^2 + \left(\frac{r_2}{r_1} \right)^3 \left(1 + \frac{1}{\alpha r_1} \right) - \frac{r_2}{r} \left(\frac{r_2}{r_1} \right)^2 \right] \\ &\quad + q \frac{r_2^2}{r_1} \left(\frac{r_1}{r} - 1 - \frac{1}{\alpha r_1} \right) + b \\ p_\alpha(r, \theta, \phi) = p_\alpha(r) &= gr_1^2 \frac{r^2}{6} \left(\frac{1}{20} \left(\frac{r}{r_1} \right)^2 + \left(\frac{r_2}{r} \right) \left(\frac{r_2}{r_1} \right)^2 - \frac{1}{3} \left(\frac{r_2}{r_1} \right)^3 \left(1 + \frac{1}{\alpha r_1} \right) - \frac{1}{6} + \frac{1}{3\alpha r_1} \right) \\ &\quad + qr_1^2 \frac{r}{2} \left(\frac{r}{3r_1} - 1 + \frac{r}{3\alpha r_1^2} \right) - \frac{r^2}{6} (b - z_d) + \frac{F_{1\alpha}}{r} + F_{2\alpha} \end{aligned}$$

where

$$\begin{aligned} F_{1\alpha} &= gr_1^2 r_2^3 \left(-\frac{1}{9} \left(\frac{r_2}{r_1} \right)^3 \left(1 + \frac{1}{\alpha r_1} \right) + \frac{1}{5} \left(\frac{r_2}{r_1} \right)^2 - \frac{1}{18} \left(1 - \frac{2}{\alpha r_1} \right) \right) \\ &\quad + qr_2^4 \left(\frac{1}{3} \left(\frac{r_2}{r_1} \right) \left(1 + \frac{1}{\alpha r_1} \right) - \frac{1}{2} \right) - \frac{r_2^3}{3} (b - z_d) \\ F_{2\alpha} &= g \frac{r_1^4}{9} \left[\frac{7}{40} - \frac{7}{10\alpha r_1} + \frac{1}{\alpha^2 r_1^2} - \left(\frac{r_2}{r_1} \right)^3 \left(1 - \frac{1}{\alpha r_1} + \frac{1}{\alpha^2 r_1^2} \right) \right] \\ &\quad + qr_1 \frac{r_2^2}{3} \left(1 - \frac{1}{\alpha r_1} + \frac{1}{\alpha^2 r_1^2} \right) + \frac{r_1^2}{6} (b - z_d) \left(1 - \frac{2}{\alpha r_1} \right) - \frac{F_{1\alpha}}{r_1} \left(1 + \frac{1}{\alpha r_1} \right). \end{aligned}$$

Remark 4.2. The convergences of u_α to u , and p_α to p , when $\alpha \rightarrow \infty$ can be immediately verified. In addition, there exists a positive constant $K_3 = K_3(r_1, r_2, g, q)$ such that:

$$\|u_\alpha - u\|_{H^1(\Omega_3)} = \frac{K_3}{\alpha}$$

with

$$K_3 = \left(\frac{4\pi(r_2^3 - r_1^3)(3qr_2^2 + g(r_1^3 - r_2^3))^2}{27r_1^4} \right)^{1/2}$$

Analogously, a similar estimate can be proved for the adjoint states p_α and p (see Appendix A).

Now, we present the following lemma that will allow us to obtain the explicit solutions for the optimal control problems on the spherical shell in \mathbb{R}^3 .

Lemma 4.3. *i) For the problem (1), it can be obtained that:*

$$\begin{aligned} \frac{1}{2}\|u - z_d\|_{L^2(\Omega_3)}^2 &= \pi [G_1 r_1^7 g^2 + G_2 r_1 r_2^4 q^2 + G_3 r_1^3 (b - z_d)^2 + G_4 r_1^4 r_2^2 g q \\ &\quad + G_5 r_1^5 g (b - z_d) + G_6 r_1^2 r_2^2 q (b - z_d)] \end{aligned}$$

with:

$$\begin{aligned} G_1 &= -\frac{2}{945} + \frac{1}{45} \left(\frac{r_2}{r_1}\right)^3 - \frac{1}{15} \left(\frac{r_2}{r_1}\right)^5 + \frac{1}{7} \left(\frac{r_2}{r_1}\right)^7 - \frac{2}{15} \left(\frac{r_2}{r_1}\right)^8 + \frac{1}{27} \left(\frac{r_2}{r_1}\right)^9 \\ G_2 &= -\frac{1}{3} + \frac{r_2}{r_1} - \left(\frac{r_2}{r_1}\right)^2 + \frac{1}{3} \left(\frac{r_2}{r_1}\right)^3 \\ G_3 &= \frac{1}{3} \left(-1 + \left(\frac{r_2}{r_1}\right)^3\right) \\ G_4 &= -\frac{7}{180} + \frac{1}{6} \left(\frac{r_2}{r_1}\right)^2 + \frac{1}{9} \left(\frac{r_2}{r_1}\right)^3 - \frac{3}{4} \left(\frac{r_2}{r_1}\right)^4 + \frac{11}{15} \left(\frac{r_2}{r_1}\right)^5 - \frac{2}{9} \left(\frac{r_2}{r_1}\right)^6 \\ G_5 &= -\frac{2}{45} + \frac{2}{9} \left(\frac{r_2}{r_1}\right)^3 - \frac{2}{5} \left(\frac{r_2}{r_1}\right)^5 + \frac{2}{9} \left(\frac{r_2}{r_1}\right)^6 \\ G_6 &= -\frac{1}{3} + \left(\frac{r_2}{r_1}\right)^2 - \frac{2}{3} \left(\frac{r_2}{r_1}\right)^3 \end{aligned}$$

ii) For the problem (2), we have:

$$\begin{aligned} \frac{1}{2}\|u_\alpha - z_d\|_{L^2(\Omega_3)}^2 &= \pi [G_{1\alpha} r_1^7 g^2 + G_{2\alpha} r_1 r_2^4 q^2 + G_{3\alpha} r_1^3 (b - z_d)^2 + G_{4\alpha} r_1^4 r_2^2 g q \\ &\quad + G_{5\alpha} r_1^5 g (b - z_d) + G_{6\alpha} r_1^2 r_2^2 q (b - z_d)] \end{aligned}$$

with

$$\begin{aligned} G_{1\alpha} &= -\frac{2}{945} + \frac{2}{135\alpha r_1} - \frac{1}{27\alpha^2 r_1^2} + \left(\frac{r_2}{r_1}\right)^3 \left(\frac{1}{45} - \frac{4}{45\alpha r_1} + \frac{1}{9\alpha^2 r_1^2}\right) \\ &\quad - \frac{1}{15} \left(\frac{r_2}{r_1}\right)^5 \left(1 - \frac{2}{\alpha r_1}\right) - \frac{1}{9\alpha^2 r_1^2} \left(\frac{r_2}{r_1}\right)^6 + \frac{1}{7} \left(\frac{r_2}{r_1}\right)^7 - \frac{2}{15} \left(\frac{r_2}{r_1}\right)^8 \left(1 + \frac{1}{\alpha r_1}\right) \\ &\quad + \frac{1}{27} \left(\frac{r_2}{r_1}\right)^9 \left(1 + \frac{2}{\alpha r_1} + \frac{1}{\alpha^2 r_1^2}\right) \\ G_{2\alpha} &= -\frac{1}{3} \left(1 - \frac{1}{\alpha r_1} + \frac{1}{\alpha^2 r_1^2}\right) + \frac{r_2}{r_1} - \left(\frac{r_2}{r_1}\right)^2 \left(1 + \frac{1}{\alpha r_1}\right) + \frac{1}{3} \left(\frac{r_2}{r_1}\right)^3 \left(1 + \frac{2}{\alpha r_1} + \frac{1}{\alpha^2 r_1^2}\right) \end{aligned}$$

$$\begin{aligned}
G_{3\alpha} &= G_3 = \frac{1}{3} \left(-1 + \left(\frac{r_2}{r_1} \right)^3 \right) \\
G_{4\alpha} &= -\frac{7}{180} + \frac{7}{45\alpha r_1} - \frac{2}{\alpha^2 r_1^2} + \frac{1}{6} \left(\frac{r_2}{r_1} \right)^2 \left(1 - \frac{2}{\alpha r_1} \right) + \frac{1}{9} \left(\frac{r_2}{r_1} \right)^3 \left(1 - \frac{1}{\alpha r_1} + \frac{4}{\alpha^2 r_1^2} \right) \\
&\quad - \frac{3}{4} \left(\frac{r_2}{r_1} \right)^4 + \frac{11}{15} \left(\frac{r_2}{r_1} \right)^5 \left(1 + \frac{1}{\alpha r_1} \right) - \frac{2}{9} \left(\frac{r_2}{r_1} \right)^6 \left(1 + \frac{2}{\alpha r_1} + \frac{1}{\alpha^2 r_1^2} \right) \\
G_{5\alpha} &= -\frac{2}{45} + \frac{2}{9\alpha r_1} + \frac{2}{9} \left(\frac{r_2}{r_1} \right)^3 \left(1 - \frac{2}{\alpha r_1} \right) - \frac{2}{5} \left(\frac{r_2}{r_1} \right)^5 + \frac{2}{9} \left(\frac{r_2}{r_1} \right)^6 \left(1 + \frac{1}{\alpha r_1} \right) \\
G_{6\alpha} &= -\frac{1}{3} \left(1 - \frac{2}{\alpha r_1} \right) + \left(\frac{r_2}{r_1} \right)^2 - \frac{2}{3} \left(\frac{r_2}{r_1} \right)^3 \left(1 + \frac{1}{\alpha r_1} \right)
\end{aligned}$$

Remark 4.4. It is clear that $G_{i\alpha}$ converges to G_i , when $\alpha \rightarrow \infty$ for $i = 1, 2, \dots, 6$.

Theorem 4.5. i) For the distributed optimal control problems (3) and (4), the optimal solutions are given by:

$$g_{op} = -\frac{G_4 q \frac{r_2^2}{r_1} + G_5 (b - z_d)}{2r_1^2 \left(G_1 + G_3 \frac{M_1}{r_1^4} \right)} \quad (45)$$

and

$$g_{\alpha op} = -\frac{G_{4\alpha} q \frac{r_2^2}{r_1} + G_{5\alpha} (b - z_d)}{2r_1^2 \left(G_{1\alpha} + G_{3\alpha} \frac{M_1}{r_1^4} \right)}. \quad (46)$$

The optimal values corresponding to those optimal controls are given by the following formulas:

$$\begin{aligned}
J_1(g_{op}) &= \left[4 \left(G_1 + G_3 \frac{M_1}{r_1^4} \right) \left(G_2 q^2 \frac{r_2^4}{r_1^4} + G_3 (b - z_d)^2 + G_6 q \frac{r_2^2}{r_1} (b - z_d) \right) \right. \\
&\quad \left. - \left(G_4 q \frac{r_2^2}{r_1} + G_5 (b - z_d) \right)^2 \right] \frac{\pi r_1^3}{2 \left(G_1 + G_3 \frac{M_1}{r_1^4} \right)} \quad (47)
\end{aligned}$$

and

$$\begin{aligned}
J_{1\alpha}(g_{\alpha op}) &= \left[4 \left(G_{1\alpha} + G_{3\alpha} \frac{M_1}{r_1^4} \right) \left(G_{2\alpha} q^2 \frac{r_2^4}{r_1^4} + G_{3\alpha} (b - z_d)^2 + G_{6\alpha} q \frac{r_2^2}{r_1} (b - z_d) \right) \right. \\
&\quad \left. - \left(G_{4\alpha} q \frac{r_2^2}{r_1} + G_{5\alpha} (b - z_d) \right)^2 \right] \frac{\pi r_1^3}{2 \left(G_{1\alpha} + G_{3\alpha} \frac{M_1}{r_1^4} \right)} \quad (48)
\end{aligned}$$

ii) For the boundary optimal control problems (5) and (6), the optimal solutions are given by:

$$q_{op} = -\frac{r_1 \left(G_4 g r_1^2 + G_6 (b - z_d) \right)}{2r_2^2 \left(G_2 + \frac{M_2}{r_1 r_2^2} \right)} \quad (49)$$

and

$$q_{\alpha op} = -\frac{r_1 \left(G_{4\alpha} g r_1^2 + G_{6\alpha} (b - z_d) \right)}{2r_2^2 \left(G_{2\alpha} + \frac{M_2}{r_1 r_2^2} \right)}. \quad (50)$$

The corresponding optimal values can be expressed by:

$$\begin{aligned}
J_2(q_{op}) &= \left[4 \left(G_2 + \frac{M_2}{r_1 r_2^2} \right) \left(G_1 g^2 r_1^4 + G_3 (b - z_d)^2 + G_5 g r_1^2 (b - z_d) \right) \right. \\
&\quad \left. - \left(G_4 g r_1^2 + G_6 (b - z_d) \right)^2 \right] \frac{\pi r_1^3}{2 \left(G_2 + \frac{M_2}{r_1 r_2^2} \right)} \quad (51)
\end{aligned}$$

and

$$J_{2\alpha}(q_{\alpha_{op}}) = \left[4 \left(G_{2\alpha} + \frac{M_2}{r_1 r_2^2} \right) (G_{1\alpha} g^2 r_1^4 + G_{3\alpha} (b - z_d)^2 + G_{5\alpha} g r_1^2 (b - z_d)) - (G_{4\alpha} g r_1^2 + G_{6\alpha} (b - z_d))^2 \right] \frac{\pi r_1^3}{2 \left(G_{2\alpha} + \frac{M_2}{r_1 r_2^2} \right)}. \quad (52)$$

iii) For the boundary optimal control problems (7) and (8), the optimal controls are given by

$$b_{op} = - \frac{G_{5\alpha} g r_1^2 + G_{6\alpha} q \frac{r_2^2}{r_1} - 2G_{3\alpha} z_d}{2 \left(G_3 + \frac{M_3}{r_1} \right)} \quad (53)$$

and

$$b_{\alpha_{op}} = - \frac{G_{5\alpha} g r_1^2 + G_{6\alpha} q \frac{r_2^2}{r_1} - 2G_{3\alpha} z_d}{2 \left(G_{3\alpha} + \frac{M_3}{r_1} \right)}. \quad (54)$$

Moreover, $J_3(b_{op})$ and $J_{3\alpha}(b_{\alpha_{op}})$ can be obtained by the following formulas:

$$J_3(b_{op}) = \left[4 \left(G_3 + \frac{M_3}{r_1} \right) \left(G_1 g^2 r_1^4 + G_2 q^2 \frac{r_2^4}{r_1^2} + G_3 z_d^2 + G_4 g q r_1 r_2^2 - G_5 g r_1^2 z_d + G_6 q \frac{r_2^2}{r_1} z_d \right) - \left(-2G_3 z_d + G_5 g r_1^2 + G_6 q \frac{r_2^2}{r_1} \right)^2 \right] \frac{\pi r_1^3}{2 \left(G_3 + \frac{M_3}{r_1} \right)} \quad (55)$$

and

$$J_{3\alpha}(b_{\alpha_{op}}) = \left[4 \left(G_{3\alpha} + \frac{M_3}{r_1} \right) \left(G_{1\alpha} g^2 r_1^4 + G_{2\alpha} q^2 \frac{r_2^4}{r_1^2} + G_{3\alpha} z_d^2 + G_{4\alpha} g q r_1 r_2^2 - G_{5\alpha} g r_1^2 z_d + G_{6\alpha} q \frac{r_2^2}{r_1} z_d \right) - \left(-2G_{3\alpha} z_d + G_{5\alpha} g r_1^2 + G_{6\alpha} q \frac{r_2^2}{r_1} \right)^2 \right] \frac{\pi r_1^3}{2 \left(G_{3\alpha} + \frac{M_3}{r_1} \right)} \quad (56)$$

iv) For the distributed-boundary optimal control problem (9) and (10), the optimal solutions are given by

$$(g, q)_{op} = (g^{op}, q^{op}) = \left(\frac{(b - z_d)}{r_1^2} \Delta_3, \frac{(b - z_d) r_1}{r_2^2} \Pi_3 \right) \quad (57)$$

with

$$\Delta_3 = \frac{\left(G_4 G_6 - 2G_5 \left(G_2 + \frac{M_5}{r_1 r_2^2} \right) \right)}{\left(4 \left(G_1 + G_3 \frac{M_4}{r_1^4} \right) \left(G_2 + \frac{M_5}{r_1 r_2^2} \right) - G_4^2 \right)}, \quad \Pi_3 = \frac{\left(G_4 G_5 - 2G_6 \left(G_1 + G_3 \frac{M_4}{r_1^4} \right) \right)}{\left(4 \left(G_1 + G_3 \frac{M_4}{r_1^4} \right) \left(G_2 + \frac{M_5}{r_1 r_2^2} \right) - G_4^2 \right)}$$

and

$$(g, q)_{\alpha_{op}} = (g_{\alpha}^{op}, q_{\alpha}^{op}) = \left(\frac{(b - z_d)}{r_1^2} \Delta_{3\alpha}, \frac{(b - z_d) r_1}{r_2^2} \Pi_{3\alpha} \right) \quad (58)$$

with

$$\Delta_{3\alpha} = \frac{G_{4\alpha} G_{6\alpha} - 2G_{5\alpha} \left(G_{2\alpha} + \frac{M_5}{r_1 r_2^2} \right)}{4 \left(G_{1\alpha} + G_{3\alpha} \frac{M_4}{r_1^4} \right) \left(G_{2\alpha} + \frac{M_5}{r_1 r_2^2} \right) - G_{4\alpha}^2}, \quad \Pi_{3\alpha} = \frac{G_{4\alpha} G_{5\alpha} - 2G_{6\alpha} \left(G_{1\alpha} + G_{3\alpha} \frac{M_4}{r_1^4} \right)}{4 \left(G_{1\alpha} + G_{3\alpha} \frac{M_4}{r_1^4} \right) \left(G_{2\alpha} + \frac{M_5}{r_1 r_2^2} \right) - G_{4\alpha}^2}$$

Furthermore, J_4 at $(g, q)_{op}$ and $J_{4\alpha}$ at $(g, q)_{\alpha_{op}}$ can be computed by the following expressions:

$$J_4(g^{op}, q^{op}) = \left[G_4 G_5 G_6 + 4 \left(G_1 + G_3 \frac{M_4}{r_1^4} \right) \left(G_2 + \frac{M_5}{r_1 r_2^2} \right) G_3 - \left(G_1 + G_3 \frac{M_4}{r_1^4} \right) G_6^2 - \left(G_2 + \frac{M_5}{r_1 r_2^2} \right) G_5^2 - G_3 G_4^2 \right] \frac{2\pi (b - z_d)^2 r_1^3}{\left(4 \left(G_1 + G_3 \frac{M_4}{r_1^4} \right) \left(G_2 + \frac{M_5}{r_1 r_2^2} \right) - G_4^2 \right)} \quad (59)$$

and

$$J_{4\alpha}(g_\alpha^{op}, q_\alpha^{op}) = \left[G_{4\alpha}G_{5\alpha}G_{6\alpha} + 4 \left(G_{1\alpha} + G_{3\alpha} \frac{M_4}{r_1^4} \right) \left(G_{2\alpha} + \frac{M_5}{r_1 r_2^2} \right) G_{3\alpha} - \left(G_{1\alpha} + G_{3\alpha} \frac{M_4}{r_1^4} \right) G_{6\alpha}^2 \right. \\ \left. - \left(G_{2\alpha} + \frac{M_5}{r_1 r_2^2} \right) G_{5\alpha}^2 - G_{3\alpha} G_{4\alpha}^2 \right] \frac{2\pi(b - z_d)^2 r_1^3}{\left(4 \left(G_{1\alpha} + G_{3\alpha} \frac{M_4}{r_1^4} \right) \left(G_{2\alpha} + \frac{M_5}{r_1 r_2^2} \right) - G_{4\alpha}^2 \right)} \quad (60)$$

v) The estimates and convergences obtained in (v) of Theorem 2.5 are also verified for the spherical shell in \mathbb{R}^3 .

Proof. i) Taking into account that the functional J_1 and $J_{1\alpha}$ can be expressed in the following quadratic forms:

$$J_1(g) = 2\pi \left[(G_1 r_1^7 + M_1 G_3 r_1^3) g^2 + (G_4 q r_1^4 r_2 + G_5 r_1^5 (b - z_d)) g \right. \\ \left. + (G_2 q^2 r_1 r_2^4 + G_3 r_1^3 (b - z_d)^2 + G_6 q r_1^2 r_2^2 (b - z_d)) \right]$$

and

$$J_{1\alpha}(g) = 2\pi \left[(G_{1\alpha} r_1^7 + M_1 G_{3\alpha} r_1^3) g^2 + (G_{4\alpha} q r_1^4 r_2 + G_{5\alpha} r_1^5 (b - z_d)) g \right. \\ \left. + (G_{2\alpha} q^2 r_1 r_2^4 + G_{3\alpha} r_1^3 (b - z_d)^2 + G_{6\alpha} q r_1^2 r_2^2 (b - z_d)) \right]$$

it can be obtained that the optimal solutions g_{op} and $g_{\alpha op}$ for the problems (3) and (4) are given by (45) and (46), respectively, since the second derivative is positive in both cases. The optimal values formulas (47) and (48) are deduced by evaluating J_1 and $J_{1\alpha}$ at g_{op} and $g_{\alpha op}$, respectively.

ii) The functional J_2 and $J_{2\alpha}$ are given by the expressions:

$$J_2(q) = 2\pi \left[(G_2 r_1 r_2^4 + M_2 r_2^2) q^2 + (G_4 r_1^4 r_2^2 g + G_6 r_1^2 r_2^2 (b - z_d)) q \right. \\ \left. + (G_1 r_1^7 g^2 + G_3 r_1^3 (b - z_d)^2 + G_5 r_1^5 g (b - z_d)) \right]$$

and

$$J_{2\alpha}(q) = 2\pi \left[(G_{2\alpha} r_1 r_2^4 + M_2 r_2^2) q^2 + (G_{4\alpha} r_1^4 r_2^2 g + G_{6\alpha} r_1^2 r_2^2 (b - z_d)) q \right. \\ \left. + (G_{1\alpha} r_1^7 g^2 + G_{3\alpha} r_1^3 (b - z_d)^2 + G_{5\alpha} r_1^5 g (b - z_d)) \right].$$

Therefore it is immediate that the optimal controls for problems (5) and (6) are given by (49) and (50), respectively, since the second derivative is positive in both cases.

The computation of $J_2(q_{op})$ and $J_{2\alpha}(q_{\alpha op})$ leads to the closed formulas (51) and (52) for the optimal values of the control problems considered.

iii) For the problems (7) and (8), the functional J_3 and $J_{3\alpha}$ are given by

$$J_3(b) = 2\pi \left[(G_3 r_1^3 + M_3 r_1^2) b^2 + (-2G_3 r_1^3 z_d + G_5 r_1^5 g + G_6 r_1^2 r_2^2 q) b \right. \\ \left. + G_1 r_1^7 g^2 + G_2 r_1 r_2^4 q^2 + G_3 r_1^3 z_d^2 + G_4 r_1^4 r_2^2 g q - G_5 r_1^5 g z_d + G_6 r_1^2 r_2^2 q z_d \right]$$

and

$$J_{3\alpha}(b) = 2\pi \left[(G_{3\alpha} r_1^3 + M_3 r_1^2) b^2 + (-2G_{3\alpha} r_1^3 z_d + G_{5\alpha} r_1^5 g + G_{6\alpha} r_1^2 r_2^2 q) b \right. \\ \left. + G_{1\alpha} r_1^7 g^2 + G_{2\alpha} r_1 r_2^4 q^2 + G_{3\alpha} r_1^3 z_d^2 + G_{4\alpha} r_1^4 r_2^2 g q - G_{5\alpha} r_1^5 g z_d + G_{6\alpha} r_1^2 r_2^2 q z_d \right].$$

Therefore the optimal controls are given by (53) and (54), respectively, since the second derivative is positive in both cases.

The optimal values given by expressions (55) and (56) are obtained by computing J_3 and $J_{3\alpha}$ at b_{op} and $b_{\alpha op}$ respectively.

iv) For the distributed-boundary optimal control problems (9) and (10), the functional J_4 can be expressed as

$$J_4(g, q) = 2\pi [(G_1 r_1^7 + M_4 G_3 r_1^3)g^2 + (G_2 r_1 r_2^4 + M_5 r_2^2)q^2 + G_4 r_1^4 r_2^2 gq + G_5 r_1^5 g(b - z_d) + G_6 r_1^2 r_2^2 q(b - z_d) + G_3 r_1^3 (b - z_d)^2]$$

and the functional $J_{4\alpha}$ is given by:

$$J_{4\alpha}(g, q) = 2\pi [(G_{1\alpha} r_1^7 + M_4 G_{3\alpha} r_1^3)g^2 + (G_{2\alpha} r_1 r_2^4 + M_5 r_2^2)q^2 + G_{4\alpha} r_1^4 r_2^2 gq + G_{5\alpha} r_1^5 g(b - z_d) + G_{6\alpha} r_1^2 r_2^2 q(b - z_d) + G_{3\alpha} r_1^3 (b - z_d)^2]$$

from where it can be obtained that the optimal solutions are given by (57) and (58), respectively, due to the second partial derivative test. Formulas (59) and (60) are deduced by evaluating J_4 at $(g, q)_{op}$ and $J_{4\alpha}$ at $(g, q)_{\alpha op}$.

v) The convergences and estimates of the optimal controls and the optimal values, when $\alpha \rightarrow \infty$ are obtained by taking into account the formulas given in (i)-(iv) and the Remark 4.4. The corresponding computations can be found in Appendix A. They are omitted here due to the fact that they become cumbersome. □

5 Conclusions

In this paper, two different steady-state heat conduction problems S and S_α , for the Poisson equation with constant internal energy g and mixed boundary conditions have been considered. The problem S corresponds to the case when a constant temperature b is prescribed in the portion Γ_1 of the boundary and a constant flux q on Γ_2 , while in the problem S_α , a convective condition is imposed at Γ_1 with a heat transfer coefficient α and external temperature b . Different optimal control problems can be also considered: a *distributed* control problem on the internal energy g , a *boundary* optimal control problem on the heat flux q , a *boundary* optimal control problem on the external temperature b and a *distributed-boundary* simultaneous optimal control problem on the source g and the flux q have been defined. We have obtained explicitly the optimal values of these optimal control problems, already study theoretically in literature in a general framework, for the particular domains: a rectangle in \mathbb{R}^2 , an annulus in \mathbb{R}^2 and a spherical shell in \mathbb{R}^3 . We point out that this solutions provide a benchmark for testing the accuracy of numerical methods. Also, the limit behaviour of the system state, adjoint state, optimal controls and optimal values for the optimal control problems defined from S_α , when $\alpha \rightarrow \infty$ have been analysed; concluding that they converge to the corresponding system state, adjoint state, optimal controls and optimal values for the optimal control problems defined from S . All these limits have been proved to present an order of convergence of $1/\alpha$ which can be considered as new results for these kind of elliptic optimal control problems. This estimate, obtained for this particular domains, make us to believe that it also holds for a more general domain, encouraging to prove it analytically.

Acknowledgements

The present work has been partially sponsored by the European Union's Horizon 2020 Research and Innovation Programme under the Marie Skłodowska-Curie grant agreement 823731 CONMECH,

and by the Project PIP No. 0275 from CONICET-UA, Rosario, Argentina; by the Project ANPCyT PICTO Austral 2016 No. 0090 for the first and third authors; and by Project PPI No. 18/C468 from SECyT-UNRC, Río Cuarto, Argentina for the second author.

A Appendix

Explicit solution for the domain Ω_2

Order of convergence for p_α

$$\begin{aligned} \lim_{\alpha \rightarrow \infty} \alpha \|p_\alpha - p\|_{L^2(\Omega_2)} = & \left\{ \frac{\pi}{768r_1^2} \left[(r_1^2 - r_2^2) \left(192b^2 (r_1^2 - r_2^2)^2 \right. \right. \right. \\ & + 96b (r_1^2 - r_2^2) (g (r_1^4 - 4r_1^2r_2^2 + 3r_2^4) + 3qr_1^2r_2 - 5qr_2^3 - 4r_1^2z_d + 4r_2^2z_d) \\ & + g^2 (13r_1^4 - 80r_1^2r_2^2 + 115r_2^4) (r_1^2 - r_2^2)^2 \\ & + 4g (r_1^2 - r_2^2) (q (19r_1^4r_2 - 92r_1^2r_2^3 + 97r_2^5) - 24z_d (r_1^4 - 4r_1^2r_2^2 + 3r_2^4)) \\ & \left. \left. \left. + 8 \left(q^2 (14r_1^4r_2^2 - 49r_1^2r_2^4 + 41r_2^6) - 12qr_2z_d (3r_1^4 - 8r_1^2r_2^2 + 5r_2^4) + 24z_d^2 (r_1^2 - r_2^2)^2 \right) \right) \right] \right. \\ & + 24r_2^3 \log \left(\frac{r_2}{r_1} \right) \left(16b (r_1^2 - r_2^2) (gr_2 (r_2^2 - r_1^2) + q (r_1^2 - 2r_2^2)) \right. \\ & + g^2r_2 (12r_2^2 - 5r_1^2) (r_1^2 - r_2^2)^2 + 4g (r_1^2 - r_2^2) (q (r_1^4 - 9r_1^2r_2^2 + 11r_2^4) + 4r_2z_d (r_1^2 - r_2^2)) \\ & \left. \left. + 4q (q (3r_1^4r_2 - 12r_1^2r_2^3 + 10r_2^5) - 4z_d (r_1^4 - 3r_1^2r_2^2 + 2r_2^4)) \right) \right] \\ & \left. - 48r_2^6 \log^2 \left(\frac{r_2}{r_1} \right) \left(g^2 (r_1^4 - 5r_1^2r_2^2 + 4r_2^4) + 4gqr_2 (3r_1^2 - 4r_2^2) - 4q^2 (r_1^2 - 4r_2^2) \right) \right\}^{1/2}. \end{aligned}$$

Order of convergence for $g_{\alpha_{op}}$

$$\begin{aligned} \lim_{\alpha \rightarrow \infty} \alpha |g_{\alpha_{op}} - g_{op}| = & \frac{12}{\mathcal{G}_2} \left| 4r_2^3 (r_2^2 - r_1^2) \log \left(\frac{r_2}{r_1} \right) \left[36r_2^3 (b - z_d) (r_1^2 - r_2^2) - 96M_1q (r_1^2 - 2r_2^2) \right. \right. \\ & \left. \left. + q (4r_1^6 - 13r_1^4r_2^2 + 14r_1^2r_2^4 + 7r_2^6) \right] \right. \\ & - (r_1^2 - r_2^2)^2 \left[4b (r_1^2 - r_2^2) (-96M_1 + r_1^4 - 5r_1^2r_2^2 + 10r_2^4) \right. \\ & - 96M_1 (3qr_1^2r_2 - 5qr_2^3 - 4r_1^2z_d + 4r_2^2z_d) + 3qr_1^6r_2 - 14qr_1^4r_2^3 + 19qr_1^2r_2^5 + 4qr_2^7 - 4r_1^6z_d \\ & \left. \left. + 24r_1^4r_2^2z_d - 60r_1^2r_2^4z_d + 40r_2^6z_d \right] - 24r_2^5 \log^2 \left(\frac{r_2}{r_1} \right) \left[4r_2 (b - z_d) (r_1^4 - r_2^4) \right. \right. \\ & \left. \left. + q (2r_1^6 - 7r_1^4r_2^2 + 6r_1^2r_2^4 + r_2^6) \right] + 96qr_1^2r_2^9 \log^3 \left(\frac{r_2}{r_1} \right) \right| \end{aligned}$$

with

$$\mathcal{G}_2 = r_1 \left[(r_1^2 - r_2^2) (96M_1 + 2r_1^4 - 13r_1^2r_2^2 + 17r_2^4) + (36r_2^6 - 24r_1^2r_2^4) \log \left(\frac{r_2}{r_1} \right) - 24r_2^6 \log^2 \left(\frac{r_2}{r_1} \right) \right]^2$$

Order of convergence for $q_{\alpha_{op}}$

$$\begin{aligned} \lim_{\alpha \rightarrow \infty} \alpha |q_{\alpha_{op}} - q_{op}| = & \frac{1}{\mathcal{Q}_2} \left| (r_2^2 - r_1^2) \left[g(-24M_2r_1^2 + 3r_1^4r_2 + 40M_2r_2^2 - 4r_1^2r_2^3 + r_2^5) - 64M_2(b - z_d) \right] \right. \\ & \left. + 2r_2^2 \left[g(-3r_1^4r_2 + 2r_1^2r_2^3 + r_2^5 + 16M_2(r_1^2 - 2r_2^2)) + 16r_2(r_1^2 - r_2^2)(b - z_d) \right] \log \left(\frac{r_2}{r_1} \right) \right. \\ & \left. - 4r_2^3 \left[g(-3r_1^4 + 4r_1^2r_2^2 + r_2^4) - 8(b - z_d)(r_1^2 + r_2^2) \right] \log^2 \left(\frac{r_2}{r_1} \right) + 16gr_1^2r_2^5 \log^3 \left(\frac{r_2}{r_1} \right) \right| \end{aligned}$$

with

$$\mathcal{Q}_2 = 8r_1 \left[4M_2 - r_1^2r_2 + 2r_2^3 \log^2 \left(\frac{r_2}{r_1} \right) - 2r_2^3 \log \left(\frac{r_2}{r_1} \right) + r_2^3 \right]^2$$

Order of convergence for $b_{\alpha_{op}}$

$$|b_{\alpha_{op}} - b_{op}| = \frac{1}{\alpha} \left| \frac{(r_1^2 - r_2^2) (g(r_1^2 - r_2^2) + 2qr_2)}{2r_1(-2M_3r_1 + r_1^2 - r_2^2)} \right|$$

Order of convergence for g_{α}^{op} and q_{α}^{op}

$$\begin{aligned} \lim_{\alpha \rightarrow \infty} \alpha |g_{\alpha}^{op} - g^{op}| &= \frac{96(b-z_d)}{\mathcal{P}_2} \left| -4r_2^3 (r_2^2 - r_1^2)^2 \log\left(\frac{r_2}{r_1}\right) \left[768M_4 \left(8M_5 (r_1^2 + 6r_2^2) - 3r_1^4 r_2 + 3r_2^5 \right) \right. \right. \\ &+ 18432M_5^2 r_2^3 + 64M_5 \left(8r_1^6 - 49r_1^4 r_2^2 - 16r_1^2 r_2^4 + 21r_2^6 \right) \\ &- 3 \left(3r_1^8 r_2 - 65r_1^6 r_2^3 + 49r_1^4 r_2^5 + 17r_1^2 r_2^7 - 4r_2^9 \right) \left. \right] \\ &- (r_1^2 - r_2^2)^3 \left[-3072M_4 \left(64M_5^2 - 14M_5 r_1^2 r_2 - 6M_5 r_2^3 + r_1^4 r_2^2 - r_2^6 \right) \right. \\ &+ 2048M_5^2 \left(r_1^4 - 5r_1^2 r_2^2 + 10r_2^4 \right) - 32M_5 \left(5r_1^6 r_2 - 25r_1^4 r_2^3 + 119r_1^2 r_2^5 - 75r_2^7 \right) \\ &+ r_2^2 \left(5r_1^8 - 10r_1^6 r_2^2 + 156r_1^4 r_2^4 - 182r_1^2 r_2^6 + 31r_2^8 \right) \left. \right] \\ &+ 16r_2^3 (r_1^2 - r_2^2) \log^2\left(\frac{r_2}{r_1}\right) \left[192M_4 \left(32M_5 (2r_1^4 - 2r_1^2 r_2^2 - r_2^4) - r_2 (r_1^2 - r_2^2)^2 (7r_1^2 + r_2^2) \right) \right. \\ &- 3072M_5^2 r_2^3 (r_1^2 + r_2^2) - 32M_5 \left(4r_1^8 - 12r_1^6 r_2^2 - 53r_1^4 r_2^4 + 3r_1^2 r_2^6 + 4r_2^8 \right) + 5r_1^{10} r_2 - 81r_1^8 r_2^3 \\ &+ 25r_1^6 r_2^5 + 46r_1^4 r_2^7 + 6r_1^2 r_2^9 - r_2^{11} \left. \right] - 256r_1^4 r_2^6 \log^4\left(\frac{r_2}{r_1}\right) \left[-192M_4 (r_1^2 - r_2^2) + 96M_5 r_2^3 + 2r_1^6 + r_2^6 \right] \\ &- 64r_1^2 r_2^6 \log^3\left(\frac{r_2}{r_1}\right) \left[192M_4 (r_1^4 - r_2^4) - r_1^2 (288M_5 r_2^3 + 7r_2^6) - r_2^5 (96M_5 + r_2^3) + 16r_1^8 - 8r_1^6 r_2^2 \right] \left. \right| \end{aligned}$$

and

$$\begin{aligned} \lim_{\alpha \rightarrow \infty} \alpha |q_{\alpha}^{op} - q^{op}| &= \frac{64(b-z_d)}{\mathcal{P}_2} \left| 2 (r_1^2 - r_2^2)^3 \left[147456M_4^2 M_5 \right. \right. \\ &- 24M_4 \left(64M_5 (5r_1^4 - 13r_1^2 r_2^2 + 2r_2^4) - 3 (9r_1^6 r_2 - 31r_1^4 r_2^3 + 7r_1^2 r_2^5 + 15r_2^7) \right) \\ &- (r_1^2 - r_2^2) \left(8M_5 (r_1^6 - 15r_1^4 r_2^2 + 3r_1^2 r_2^4 + 83r_2^6) + 6r_1^6 r_2^3 - 3r_1^4 r_2^5 - 48r_1^2 r_2^7 + 9r_2^9 \right) \left. \right] \\ &+ r_2^2 (r_1^2 - r_2^2)^2 \log\left(\frac{r_2}{r_1}\right) \left[147456M_4^2 r_2 (r_1^2 - r_2^2) \right. \\ &- 384M_4 (r_1^2 - r_2^2) \left(48M_5 (3r_1^2 - 4r_2^2) - 4r_1^4 r_2 + 35r_1^2 r_2^3 + 11r_2^5 \right) \\ &+ r_2 \left(4r_1^6 (672M_5 r_2 + 151r_2^4) - 2r_1^4 (3744M_5 r_2^3 + 209r_2^6) + 26r_2^7 (96M_5 + r_2^3) \right. \\ &- 23r_1^{10} - 56r_1^8 r_2^2 - 133r_1^2 r_2^8 \left. \right) \left. \right] \\ &- 4r_2^3 (r_1^2 - r_2^2) \log^2\left(\frac{r_2}{r_1}\right) \left[-36864M_4^2 (r_1^4 - r_2^4) \right. \\ &+ 192M_4 \left(6r_1^4 (16M_5 r_2 + 3r_2^4) - r_1^2 (96M_5 r_2^3 + 13r_2^6) + 96M_5 r_2^5 + 10r_1^8 - 14r_1^6 r_2^2 - r_2^8 \right) \\ &- r_1^8 (192M_5 r_2 + 209r_2^4) - 9r_1^6 (128M_5 r_2^3 - 3r_2^6) + r_1^4 (3840M_5 r_2^5 + 137r_2^8) \\ &- 2r_2^9 (96M_5 + r_2^3) + 2r_1^{12} + 25r_1^{10} r_2^2 + 20r_1^2 r_2^{10} \left. \right] \\ &+ 192r_1^4 r_2^7 \log^4\left(\frac{r_2}{r_1}\right) \left[192M_4 (r_2^2 - r_1^2) + 96M_5 r_2^3 + 2r_1^6 + r_2^6 \right] \\ &- 48r_1^2 r_2^5 \log^3\left(\frac{r_2}{r_1}\right) \left[192M_4 (r_1^2 - r_2^2)^2 (3r_1^2 + r_2^2) \right. \\ &+ r_2^2 \left(-3r_1^4 (96M_5 r_2 + r_2^4) + 8r_1^2 (48M_5 r_2^3 + r_2^6) + 96M_5 r_2^5 - 14r_1^8 + 8r_1^6 r_2^2 + r_2^8 \right) \left. \right] \left. \right| \end{aligned}$$

with

$$\begin{aligned} \mathcal{P}_2 = & r_1 \left[-16r_2^3 \log^2 \left(\frac{r_2}{r_1} \right) \left(-192M_4 (r_1^2 - r_2^2) + 96M_5 r_2^3 - 4r_1^6 + r_2^6 \right) \right. \\ & - 8r_2^3 \log \left(\frac{r_2}{r_1} \right) \left(384M_4 (r_1^2 - r_2^2) + 6r_1^2 (32M_5 r_2 + r_2^4) - 288M_5 r_2^3 - 10r_1^6 + 9r_1^4 r_2^2 - 5r_2^6 \right) \\ & + (r_1^2 - r_2^2) \left(1536M_4 (4M_5 - r_1^2 r_2 + r_2^3) + 64M_5 (2r_1^4 - 13r_1^2 r_2^2 + 17r_2^4) - 5r_1^6 r_2 + 51r_1^4 r_2^3 \right. \\ & \left. \left. - 75r_1^2 r_2^5 + 29r_2^7 \right) \right]^2 \end{aligned}$$

Order of convergence for $J_{1\alpha}(g_{\alpha_{op}})$

$$\begin{aligned} \lim_{\alpha \rightarrow \infty} \alpha \left| J_{1\alpha}(g_{\alpha_{op}}) - J_1(g_{op}) \right| = & \frac{\pi}{\mathcal{J}_{12}} \left| \left[12br_1^6 - 60br_1^4 r_2^2 + 84br_1^2 r_2^4 - 48br_1^2 r_2^4 \log \left(\frac{r_2}{r_1} \right) \right. \right. \\ & + 48br_2^6 \log \left(\frac{r_2}{r_1} \right) - 36br_2^6 - 192M_1 q r_1^2 r_2 + 192M_1 q r_2^3 + 5qr_1^6 r_2 - 15qr_1^4 r_2^3 + 24qr_1^4 r_2^3 \log \left(\frac{r_2}{r_1} \right) \\ & + 3qr_1^2 r_2^5 + 48qr_1^2 r_2^5 \log^2 \left(\frac{r_2}{r_1} \right) - 36qr_1^2 r_2^5 \log \left(\frac{r_2}{r_1} \right) - 12qr_2^7 \log \left(\frac{r_2}{r_1} \right) + 7qr_2^7 - 12r_1^6 z_d + 60r_1^4 r_2^2 z_d \\ & - 84r_1^2 r_2^4 z_d + 48r_1^2 r_2^4 z_d \log \left(\frac{r_2}{r_1} \right) - 48r_2^6 z_d \log \left(\frac{r_2}{r_1} \right) + 36r_2^6 z_d \left. \right] \left[-768M_1 q r_2^5 \log \left(\frac{r_2}{r_1} \right) - 1536bM_1 r_1^2 r_2^2 \right. \\ & + 768bM_1 r_2^4 + 4br_1^8 - 40br_1^6 r_2^2 + 96br_1^4 r_2^4 - 96br_1^4 r_2^4 \log \left(\frac{r_2}{r_1} \right) - 88br_1^2 r_2^6 - 192br_1^2 r_2^6 \log^2 \left(\frac{r_2}{r_1} \right) \\ & + 96br_1^2 r_2^6 \log \left(\frac{r_2}{r_1} \right) + 28br_2^8 + 384M_1 q r_1^4 r_2 - 768M_1 q r_1^2 r_2^3 + 768M_1 q r_1^2 r_2^3 \log \left(\frac{r_2}{r_1} \right) 768bM_1 r_1^4 \\ & + 384M_1 q r_2^5 - 768M_1 r_1^4 z_d + 1536M_1 r_1^2 r_2^2 z_d - 768M_1 r_2^4 z_d - qr_1^8 r_2 + 4qr_1^6 r_2^3 - 8qr_1^6 r_2^3 \log \left(\frac{r_2}{r_1} \right) \\ & - 18qr_1^4 r_2^5 - 48qr_1^4 r_2^5 \log^2 \left(\frac{r_2}{r_1} \right) - 24qr_1^4 r_2^5 \log \left(\frac{r_2}{r_1} \right) + 28qr_1^2 r_2^7 + 24qr_1^2 r_2^7 \log \left(\frac{r_2}{r_1} \right) + 8qr_2^9 \log \left(\frac{r_2}{r_1} \right) \\ & - 13qr_2^9 - 4r_1^8 z_d + 40r_1^6 r_2^2 z_d - 96r_1^4 r_2^4 z_d + 96r_1^4 r_2^4 z_d \log \left(\frac{r_2}{r_1} \right) + 88r_1^2 r_2^6 z_d + 192r_1^2 r_2^6 z_d \log^2 \left(\frac{r_2}{r_1} \right) \\ & \left. \left. - 96r_1^2 r_2^6 z_d \log \left(\frac{r_2}{r_1} \right) - 28r_2^8 z_d \right] \right| \end{aligned}$$

with

$$\mathcal{J}_{12} = 16r_1 \left[(r_1^2 - r_2^2) (96M_1 + 2r_1^4 - 13r_1^2 r_2^2 + 17r_2^4) + (36r_2^6 - 24r_1^2 r_2^4) \log \left(\frac{r_2}{r_1} \right) - 24r_2^6 \log^2 \left(\frac{r_2}{r_1} \right) \right]^2$$

Order of convergence for $J_{2\alpha}(q_{\alpha_{op}})$

$$\begin{aligned} \lim_{\alpha \rightarrow \infty} \alpha \left| J_{2\alpha}(q_{\alpha_{op}}) - J_2(q_{op}) \right| = & \frac{\pi}{\mathcal{J}_{22}} \left| \left[16br_1^2 r_2 + 32br_2^3 \log \left(\frac{r_2}{r_1} \right) - 16br_2^3 + 32gM_2 r_1^2 - 32gM_2 r_2^2 \right. \right. \\ & - 5gr_1^4 r_2 + 4gr_1^2 r_2^3 + 16gr_1^2 r_2^3 \log^2 \left(\frac{r_2}{r_1} \right) - 8gr_1^2 r_2^3 \log \left(\frac{r_2}{r_1} \right) - 4gr_2^5 \log \left(\frac{r_2}{r_1} \right) + gr_2^5 - 16r_1^2 r_2 z_d \\ & - 32r_2^3 z_d \log \left(\frac{r_2}{r_1} \right) + 16r_2^3 z_d \left. \right] \left[128bM_2 r_1^2 - 128bM_2 r_2^2 - 16br_1^4 r_2 + 32br_1^2 r_2^3 + 64br_1^2 r_2^3 \log^2 \left(\frac{r_2}{r_1} \right) \right. \\ & - 16br_2^5 + 16gM_2 r_1^4 - 64gM_2 r_1^2 r_2^2 - 64gM_2 r_2^4 \log \left(\frac{r_2}{r_1} \right) + 48gM_2 r_2^4 - gr_1^6 r_2 + 5gr_1^4 r_2^3 \\ & + 8gr_1^4 r_2^3 \log^2 \left(\frac{r_2}{r_1} \right) + 6gr_1^4 r_2^3 \log \left(\frac{r_2}{r_1} \right) - 7gr_1^2 r_2^5 - 4gr_1^2 r_2^5 \log \left(\frac{r_2}{r_1} \right) - 2gr_2^7 \log \left(\frac{r_2}{r_1} \right) + 3gr_2^7 \\ & \left. \left. - 128M_2 r_1^2 z_d + 128M_2 r_2^2 z_d + 16r_1^4 r_2 z_d - 32r_1^2 r_2^3 z_d - 64r_1^2 r_2^3 z_d \log^2 \left(\frac{r_2}{r_1} \right) + 16r_2^5 z_d \right] \right| \end{aligned}$$

with

$$\mathcal{J}_{22} = 512r_1 \left[4M_2 - r_1^2 r_2 + 2r_2^3 \log^2 \left(\frac{r_2}{r_1} \right) - 2r_2^3 \log \left(\frac{r_2}{r_1} \right) + r_2^3 \right]^2$$

Order of convergence for $J_{3\alpha}(b_{\alpha_{op}})$

$$\lim_{\alpha \rightarrow \infty} \alpha \left| J_{3\alpha}(b_{\alpha_{op}}) - J_3(b_{op}) \right| = \frac{\pi \left| M_3 (g(r_1^2 - r_2^2) + 2qr_2) \right|}{\left| 8r_1 (-2M_3r_1 + r_1^2 - r_2^2) \right|} \left| gr_1^3(r_1^2 - r_2^2) + 4qr_1r_2(r_1^2 - r_2^2) \right. \\ \left. - 3gr_1r_2^2(r_1^2 - r_2^2) - 8r_1(r_1^2 - r_2^2)z_d - 4r_1r_2^3(-2q + gr_2) \log\left(\frac{r_2}{r_1}\right) \right|$$

Order of convergence for $J_{4\alpha}(g_{\alpha}^{op}, q_{\alpha}^{op})$

$$\lim_{\alpha \rightarrow \infty} \alpha \left| J_{4\alpha}(g_{\alpha}^{op}, q_{\alpha}^{op}) - J_4(g^{op}, q^{op}) \right| = \frac{4\pi(b - z_d)^2}{\mathcal{J}_{42}} \left| \left[-384M_4r_1^4r_2 + 768M_4r_1^2r_2^3 - 768M_4r_1^2r_2^3 \log\left(\frac{r_2}{r_1}\right) \right. \right. \\ \left. \left. + 768M_4r_2^5 \log\left(\frac{r_2}{r_1}\right) - 384M_4r_2^5 + 96M_5r_1^6 - 480M_5r_1^4r_2^2 + 672M_5r_1^2r_2^4 - 384M_5r_1^2r_2^4 \log\left(\frac{r_2}{r_1}\right) \right. \right. \\ \left. \left. + 384M_5r_2^6 \log\left(\frac{r_2}{r_1}\right) - 288M_5r_2^6 - 5r_1^8r_2 + 32r_1^6r_2^3 + 48r_1^6r_2^3 \log^2\left(\frac{r_2}{r_1}\right) + 44r_1^6r_2^3 \log\left(\frac{r_2}{r_1}\right) \right. \right. \\ \left. \left. - 54r_1^4r_2^5 - 36r_1^4r_2^5 \log\left(\frac{r_2}{r_1}\right) + 32r_1^2r_2^7 - 12r_1^2r_2^7 \log\left(\frac{r_2}{r_1}\right) + 4r_2^9 \log\left(\frac{r_2}{r_1}\right) - 5r_2^9 \right] \left[6144M_4M_5r_1^4 \right. \right. \\ \left. \left. - 12288M_4M_5r_1^2r_2^2 + 6144M_4M_5r_2^4 - 768M_4r_1^6r_2 + 2304M_4r_1^4r_2^3 + 3072M_4r_1^4r_2^3 \log^2\left(\frac{r_2}{r_1}\right) \right. \right. \\ \left. \left. - 2304M_4r_1^2r_2^5 - 3072M_4r_1^2r_2^5 \log^2\left(\frac{r_2}{r_1}\right) + 768M_4r_2^7 + 32M_5r_1^8 - 320M_5r_1^6r_2^2 + 768M_5r_1^4r_2^4 \right. \right. \\ \left. \left. - 768M_5r_1^4r_2^4 \log\left(\frac{r_2}{r_1}\right) - 704M_5r_1^2r_2^6 - 1536M_5r_1^2r_2^6 \log^2\left(\frac{r_2}{r_1}\right) + 768M_5r_1^2r_2^6 \log\left(\frac{r_2}{r_1}\right) + 224M_5r_2^8 \right. \right. \\ \left. \left. - r_1^{10}r_2 + 17r_1^8r_2^3 + 16r_1^8r_2^3 \log^2\left(\frac{r_2}{r_1}\right) + 24r_1^8r_2^3 \log\left(\frac{r_2}{r_1}\right) - 46r_1^6r_2^5 - 24r_1^6r_2^5 \log\left(\frac{r_2}{r_1}\right) + 46r_1^4r_2^7 \right. \right. \\ \left. \left. - 24r_1^4r_2^7 \log\left(\frac{r_2}{r_1}\right) - 17r_1^2r_2^9 - 16r_1^2r_2^9 \log^2\left(\frac{r_2}{r_1}\right) + 24r_1^2r_2^9 \log\left(\frac{r_2}{r_1}\right) + r_2^{11} \right] \right|$$

with

$$\mathcal{J}_{42} = r_1 \left[6144M_4M_5r_1^2 - 6144M_4M_5r_2^2 - 1536M_4r_1^4r_2 + 3072M_4r_1^2r_2^3 + 3072M_4r_1^2r_2^3 \log^2\left(\frac{r_2}{r_1}\right) \right. \\ \left. - 3072M_4r_1^2r_2^3 \log\left(\frac{r_2}{r_1}\right) - 3072M_4r_2^5 \log^2\left(\frac{r_2}{r_1}\right) + 3072M_4r_2^5 \log\left(\frac{r_2}{r_1}\right) - 1536M_4r_2^5 + 128M_5r_1^6 \right. \\ \left. - 960M_5r_1^4r_2^2 + 1920M_5r_1^2r_2^4 - 1536M_5r_1^2r_2^4 \log\left(\frac{r_2}{r_1}\right) - 1536M_5r_2^6 \log^2\left(\frac{r_2}{r_1}\right) + 2304M_5r_2^6 \log\left(\frac{r_2}{r_1}\right) \right. \\ \left. - 1088M_5r_2^6 - 5r_1^8r_2 + 56r_1^6r_2^3 + 64r_1^6r_2^3 \log^2\left(\frac{r_2}{r_1}\right) + 80r_1^6r_2^3 \log\left(\frac{r_2}{r_1}\right) - 126r_1^4r_2^5 - 72r_1^4r_2^5 \log\left(\frac{r_2}{r_1}\right) \right. \\ \left. + 104r_1^2r_2^7 - 48r_1^2r_2^7 \log\left(\frac{r_2}{r_1}\right) - 16r_2^9 \log^2\left(\frac{r_2}{r_1}\right) + 40r_2^9 \log\left(\frac{r_2}{r_1}\right) - 29r_2^9 \right]^2$$

Explicit solution for the domain Ω_3

Order of convergence for p_α

$$\begin{aligned} \lim_{\alpha \rightarrow \infty} \alpha \|p_\alpha - p\|_{L^2(\Omega_3)} &= \left\{ \frac{\pi(r_2 - r_1)^3}{42525r_1^6} \left[6300b^2r_1^2 (r_1^2 + r_1r_2 + r_2^2)^3 \right. \right. \\ &\quad + 420br_1 (r_1^2 + r_1r_2 + r_2^2) \left(4g (r_1^5 + 4r_1^4r_2 + 10r_1^3r_2^2 + 14r_1^2r_2^3 + 11r_1r_2^4 + 5r_2^5) (r_1 - r_2)^2 \right. \\ &\quad \left. \left. + 3 \left(qr_2^2 (7r_1^4 + 14r_1^3r_2 + 6r_1^2r_2^2 - 7r_1r_2^3 - 20r_2^4) - 10r_1z_d (r_1^2 + r_1r_2 + r_2^2)^2 \right) \right) \right. \\ &\quad + 4g^2 \left(31r_1^8 + 217r_1^7r_2 + 868r_1^6r_2^2 + 2248r_1^5r_2^3 + 4018r_1^4r_2^4 + 5047r_1^3r_2^5 + 4336r_1^2r_2^6 \right. \\ &\quad + 2380r_1r_2^7 + 700r_2^8) (r_1 - r_2)^4 - 24g(r_1 - r_2)^2 \left(qr_2^2 \left(-52r_1^7 - 260r_1^6r_2 - 675r_1^5r_2^2 \right. \right. \\ &\quad \left. \left. - 970r_1^4r_2^3 - 440r_1^3r_2^4 + 612r_1^2r_2^5 + 1085r_1r_2^6 + 700r_2^7 \right) \right. \\ &\quad \left. \left. + 70r_1z_d (r_1^2 + r_1r_2 + r_2^2)^2 (r_1^3 + 3r_1^2r_2 + 6r_1r_2^2 + 5r_2^3) \right) \right. \\ &\quad + 45 \left(q^2r_2^4 (r_1 - r_2)^2 (71r_1^4 + 355r_1^3r_2 + 771r_1^2r_2^2 + 952r_1r_2^3 + 560r_2^4) \right. \\ &\quad \left. - 28qr_1r_2^2z_d (7r_1^6 + 21r_1^5r_2 + 27r_1^4r_2^2 + 13r_1^3r_2^3 - 21r_1^2r_2^4 - 27r_1r_2^5 - 20r_2^6) \right. \\ &\quad \left. \left. + 140r_1^2z_d^2 (r_1^2 + r_1r_2 + r_2^2)^3 \right) \right] \Big\}^{1/2} \end{aligned}$$

Order of convergence for $g_{\alpha_{op}}$

$$\begin{aligned} \lim_{\alpha \rightarrow \infty} \alpha |g_{\alpha_{op}} - g_{op}| &= \frac{21(r_2 - r_1)}{\mathcal{G}_3} \left| 4(b - z_d) (r_1^2 + r_1r_2 + r_2^2) \left(1575M_1r_1^2 (r_1^2 + r_1r_2 + r_2^2)^2 \right. \right. \\ &\quad \left. \left. - (r_1 - r_2)^4 (4r_1^6 + 24r_1^5r_2 + 84r_1^4r_2^2 + 199r_1^3r_2^3 + 354r_1^2r_2^4 + 420r_1r_2^5 + 175r_2^6) \right) \right. \\ &\quad \left. - 630M_1qr_2^2r_1 (r_1^2 + r_1r_2 + r_2^2) (-7r_1^4 - 14r_1^3r_2 - 6r_1^2r_2^2 + 7r_1r_2^3 + 20r_2^4) \right. \\ &\quad \left. - 3qr_2^2(r_1 - r_2)^4 (7r_1^7 + 49r_1^6r_2 + 146r_1^5r_2^2 + 198r_1^4r_2^3 + 105r_1^3r_2^4 - 170r_1^2r_2^5 - 265r_1r_2^6 - 70r_2^7) \right| \end{aligned}$$

with

$$\mathcal{G}_3 = 4 \left[315M_1r_1^2 (r_1^2 + r_1r_2 + r_2^2) + \left(2r_1^4 + 10r_1^3r_2 + 30r_1^2r_2^2 + 49r_1r_2^3 + 35r_2^4 \right) (r_1 - r_2)^4 \right]^2$$

Order of convergence for $q_{\alpha_{op}}$

$$\begin{aligned} \lim_{\alpha \rightarrow \infty} \alpha |q_{\alpha_{op}} - q_{op}| &= \frac{r_2 - r_1}{\mathcal{Q}_3} \left| 20(b - z_d) \left[6M_2r_1^2 (r_1^2 + r_1r_2 + r_2^2) - r_2^2 (r_1 - r_2)^3 (r_1^2 - 2r_1r_2 - 2r_2^2) \right] \right. \\ &\quad \left. + g(r_1 - r_2)^2 \left[4M_2r_1 (7r_1^3 + 21r_1^2r_2 + 27r_1r_2^2 + 20r_2^3) - r_2^2 (r_1 - r_2)^3 (7r_1^2 + 14r_1r_2 + 4r_2^2) \right] \right| \end{aligned}$$

with

$$\mathcal{Q}_3 = 40 \left[r_2^2 (r_1 - r_2)^3 - 3M_2r_1^2 \right]^2$$

Order of convergence for $b_{\alpha_{op}}$

$$|b_{\alpha_{op}} - b_{op}| = \frac{1}{\alpha} \left| \frac{(r_1^3 - r_2^3) (g (r_1^3 - r_2^3) + 3qr_2^2)}{3r_1^2 (-3M_3r_1^2 + r_1^3 - r_2^3)} \right|$$

Order of convergence for g_α^{op} and q_α^{op}

$$\begin{aligned} \lim_{\alpha \rightarrow \infty} \alpha |g_\alpha^{op} - g^{op}| &= \frac{840(r_2 - r_1)(b - z_d)}{\mathcal{P}_3} \left| 16800M_4 (r_1^2 + r_1r_2 + r_2^2) \left[240M_5^2 r_1^2 (r_1^2 + r_1r_2 + r_2^2)^2 \right. \right. \\ &\quad \left. \left. - 2M_5 r_2^2 (59r_1^4 + 55r_1^3 r_2 + 27r_1^2 r_2^2 - 56r_1 r_2^3 - 40r_2^4) (r_1 - r_2)^3 + r_2^4 (15r_1^2 + 2r_1 r_2 - 2r_2^2) (r_1 - r_2)^6 \right] \right. \\ &\quad \left. - (r_1 - r_2)^4 \left[2560M_5^2 (4r_1^8 + 28r_1^7 r_2 + 112r_1^6 r_2^2 + 307r_1^5 r_2^3 + 637r_1^4 r_2^4 + 973r_1^3 r_2^5 + 949r_1^2 r_2^6 + 595r_1 r_2^7 \right. \right. \right. \\ &\quad \left. \left. + 175r_2^8) - 8M_5 r_2^2 (417r_1^6 + 1610r_1^5 r_2 + 2915r_1^4 r_2^2 + 1490r_1^3 r_2^3 - 575r_1^2 r_2^4 + 3448r_1 r_2^5 + 1720r_2^6) (r_1 - r_2)^3 \right. \right. \\ &\quad \left. \left. + r_2^4 (297r_1^4 + 525r_1^3 r_2 + 433r_1^2 r_2^2 + 256r_1 r_2^3 + 64r_2^4) (r_1 - r_2)^6 \right] \right| \end{aligned}$$

and

$$\begin{aligned} \lim_{\alpha \rightarrow \infty} \alpha |q_\alpha^{op} - q^{op}| &= \frac{24(r_2 - r_1)(b - z_d)}{\mathcal{P}_3} \left| 23520000M_4^2 (r_1^2 + r_1r_2 + r_2^2)^2 \left[6M_5 r_1^2 (r_1^2 + r_1r_2 + r_2^2) \right. \right. \\ &\quad \left. \left. - r_2^2 (r_1 - r_2)^3 (r_1^2 - 2r_1 r_2 - 2r_2^2) \right] - 1400M_4 (r_1^2 + r_1r_2 + r_2^2) (r_1 - r_2)^4 \left[8M_5 (281r_1^6 + 1686r_1^5 r_2 \right. \right. \\ &\quad \left. \left. + 4431r_1^4 r_2^2 + 6446r_1^3 r_2^3 + 6441r_1^2 r_2^4 + 4200r_1 r_2^5 + 1400r_2^6) - r_2^2 (r_1 - r_2)^3 (489r_1^4 + 2153r_1^3 r_2 \right. \right. \\ &\quad \left. \left. + 3105r_1^2 r_2^2 + 600r_1 r_2^3 - 152r_2^4) \right] - (r_1 - r_2)^8 \left[320M_5 (4r_1^8 + 44r_1^7 r_2 + 264r_1^6 r_2^2 + 1049r_1^5 r_2^3 \right. \right. \\ &\quad \left. \left. + 2539r_1^4 r_2^4 + 3495r_1^3 r_2^5 + 2055r_1^2 r_2^6 - 315r_1 r_2^7 - 315r_2^8) - r_2^2 (r_1 - r_2)^3 (99r_1^6 + 106r_1^5 r_2 \right. \right. \\ &\quad \left. \left. - 1675r_1^4 r_2^2 - 3270r_1^3 r_2^3 - 3405r_1^2 r_2^4 - 2304r_1 r_2^5 - 576r_2^6) \right] \right| \end{aligned}$$

with

$$\begin{aligned} \mathcal{P}_3 &= \left[33600M_4 (r_1^2 + r_1r_2 + r_2^2) (3M_5 r_1^2 - r_2^2 (r_1 - r_2)^3) \right. \\ &\quad \left. + (r_1 - r_2)^4 (320M_5 (2r_1^4 + 10r_1^3 r_2 + 30r_1^2 r_2^2 + 49r_1 r_2^3 + 35r_2^4) - r_2^2 (r_1 - r_2)^3 (99r_1^2 + 152r_1 r_2 + 64r_2^2)) \right]^2 \end{aligned}$$

Order of convergence for $J_{1\alpha}(g_{\alpha op})$

$$\begin{aligned} \lim_{\alpha \rightarrow \infty} \alpha \left| J_{1\alpha}(g_{\alpha op}) - J_1(g_{op}) \right| &= \frac{\pi(r_2 - r_1)}{\mathcal{J}_{13}} \left| \left[q \left(2520M_1 r_1^3 r_2^2 + 33r_1^7 r_2^2 - 2520M_1 r_1^2 r_2^3 + 33r_1^6 r_2^3 \right. \right. \right. \\ &\quad \left. \left. - 2520M_1 r_1 r_2^4 - 177r_1^5 r_2^4 - 198r_1^4 r_2^5 + 747r_1^3 r_2^6 - 471r_1^2 r_2^7 - 51r_1 r_2^8 + 84r_2^9 \right) \right. \\ &\quad \left. + (b - z_d) \left(56r_1^8 + 56r_1^7 r_2 + 56r_1^6 r_2^2 - 280r_1^5 r_2^3 - 280r_1^4 r_2^4 + 224r_1^3 r_2^5 + 224r_1^2 r_2^6 + 224r_1 r_2^7 - 280r_2^8 \right) \right] \\ &\quad \left[q \left(2100M_1 r_1^4 r_2^2 - 3r_1^8 r_2^2 + 4200M_1 r_1^3 r_2^3 - 6r_1^7 r_2^3 + 21r_1^6 r_2^4 - 2100M_1 r_1 r_2^5 + 63r_1^5 r_2^5 \right. \right. \\ &\quad \left. \left. - 4200M_1 r_2^6 - 210r_1^4 r_2^6 + 168r_1^3 r_2^7 + 21r_1^2 r_2^8 - 81r_1 r_2^9 + 27qr_2^{10} \right) \right. \\ &\quad \left. + (b - z_d) \left(4200M_1 r_1^5 + 8r_1^9 + 8400M_1 r_1^4 r_2 + 16r_1^8 r_2 + 12600M_1 r_1^3 r_2^2 + 24r_1^7 r_2^2 + 8400M_1 r_1^2 r_2^3 \right. \right. \\ &\quad \left. \left. - 88r_1^6 r_2^3 + 4200M_1 r_1 r_2^4 - 200r_1^5 r_2^4 + 192r_1^4 r_2^5 + 584r_1^3 r_2^6 - 824r_1^2 r_2^7 + 288r_1 r_2^8 \right) \right] \right| \end{aligned}$$

with

$$\mathcal{J}_{13} = 80 \left[315M_1 r_1^2 (r_1^2 + r_1r_2 + r_2^2) + (2r_1^4 + 10r_1^3 r_2 + 30r_1^2 r_2^2 + 49r_1 r_2^3 + 35r_2^4) (r_1 - r_2)^4 \right]^2$$

Order of convergence for $J_{2\alpha}(q_{\alpha_{op}})$

$$\begin{aligned} \lim_{\alpha \rightarrow \infty} \alpha \left| J_{2\alpha}(q_{\alpha_{op}}) - J_2(q_{op}) \right| &= \frac{\pi}{\mathcal{J}_{23}} (r_2 - r_1)^2 \left| \left[g \left(-40M_2r_1^3 - 40M_2r_1^2r_2 - 40M_2r_1r_2^2 \right. \right. \right. \\ &\quad \left. \left. \left. + 11r_1^4r_2^2 - 29r_1^3r_2^3 + 21r_1^2r_2^4 + r_1r_2^5 - 4r_2^6 \right) + (b - z_d) \left(-20r_1^2r_2^2 - 20r_1r_2^3 + 40r_2^4 \right) \right] \right. \\ &\quad \left[g \left(-16M_2r_1^5 - 16M_2r_1^4r_2 - 16M_2r_1^3r_2^2 + 3r_1^6r_2^2 + 64M_2r_1^2r_2^3 - 13r_1^5r_2^3 + 64M_2r_1r_2^4 \right. \right. \\ &\quad \left. \left. + 20r_1^4r_2^4 - 80M_2r_2^5 - 10r_1^3r_2^5 - 5r_1^2r_2^6 + 7r_1r_2^7 - 2r_2^8 \right) + (b - z_d) \left(-240M_2r_1^3 \right. \right. \\ &\quad \left. \left. - 240M_2r_1^2r_2 - 240M_2r_1r_2^2 + 60r_1^4r_2^2 - 180r_1^3r_2^3 + 180r_1^2r_2^4 - 60r_1r_2^5 \right) \right] \left| \right| \end{aligned}$$

with

$$\mathcal{J}_{23} = 2400 \left[r_2^2 (r_1 - r_2)^3 - 3M_2r_1^2 \right]^2$$

Order of convergence for $J_{3\alpha}(b_{\alpha_{op}})$

$$\begin{aligned} \lim_{\alpha \rightarrow \infty} \alpha \left| J_{3\alpha}(b_{\alpha_{op}}) - J_3(b_{op}) \right| &= \frac{2\pi}{45r_1^2 \left| -3M_3r_1^2 + r_1^3 - r_2^3 \right|} \left| 2g^2M_3r_1 \left(r_1^9 - 6r_1^6r_2^3 + 9r_1^4r_2^5 - 9r_1r_2^8 + 5r_2^9 \right) \right. \\ &\quad \left. - 3gM_3r_1 \left(10r_1z_d \left(r_1^3 - r_2^3 \right)^2 - qr_2^2(r_1 - r_2)^3 \left(7r_1^3 + 21r_1^2r_2 + 27r_1r_2^2 + 20r_2^3 \right) \right) \right. \\ &\quad \left. + 15qr_2^2 \left(3M_3r_1 \left(qr_2^2(r_1 - r_2)^2(r_1 + 2r_2) + 2r_1z_d \left(r_1^3 - r_2^3 \right) \right) - 4z_d \left(r_1^3 - r_2^3 \right)^2 \right) \right| \end{aligned}$$

Order of convergence for $J_{4\alpha}(g_{\alpha}^{op}, q_{\alpha}^{op})$

$$\begin{aligned} \lim_{\alpha \rightarrow \infty} \alpha \left| J_{4\alpha}(g_{\alpha}^{op}, q_{\alpha}^{op}) - J_4(g^{op}, q^{op}) \right| &= \frac{16\pi r_1(b - z_d)^2}{\mathcal{J}_{43}} \left| 35280000M_4^2r_2^2(r_1 + 2r_2) \left(r_1^2 + r_1r_2 + r_2^2 \right)^2 \right. \\ &\quad \left(4M_5 \left(r_1^2 + r_1r_2 + r_2^2 \right) - r_2^2(r_1 - r_2)^3 \right) \\ &\quad - 4200M_4 \left(r_1^3 - r_2^3 \right) \left(4480M_5^2 \left(r_1^2 + r_1r_2 + r_2^2 \right)^2 \left(r_1^3 + 3r_1^2r_2 + 6r_1r_2^2 + 5r_2^3 \right) \right. \\ &\quad - 8M_5r_2^2 \left(247r_1^5 + 856r_1^4r_2 + 1963r_1^3r_2^2 + 2840r_1^2r_2^3 + 2567r_1r_2^4 + 1292r_2^5 \right) \left(r_1 - r_2 \right)^3 \\ &\quad \left. + r_2^4 \left(207r_1^3 + 301r_1^2r_2 + 177r_1r_2^2 + 50r_2^3 \right) \left(r_1 - r_2 \right)^6 \right) \\ &\quad + (r_1 - r_2)^5 \left(- \left(35840M_5^2 \left(r_1^9 + 10r_1^8r_2 + 55r_1^7r_2^2 + 199r_1^6r_2^3 + 505r_1^5r_2^4 + 919r_1^4r_2^5 + 1195r_1^3r_2^6 \right. \right. \right. \\ &\quad \left. \left. \left. + 1060r_1^2r_2^7 + 601r_1r_2^8 + 180r_2^9 \right) - 16M_5r_2^2 \left(711r_1^7 + 4763r_1^6r_2 + 17621r_1^5r_2^2 + 40700r_1^4r_2^3 \right. \right. \right. \\ &\quad \left. \left. \left. + 57025r_1^3r_2^4 + 44014r_1^2r_2^5 + 18712r_1r_2^6 + 3879r_2^7 \right) \left(r_1 - r_2 \right)^3 \right. \right. \\ &\quad \left. \left. + r_2^4 \left(891r_1^5 + 2880r_1^4r_2 + 3755r_1^3r_2^2 + 2480r_1^2r_2^3 + 875r_1r_2^4 + 144r_2^5 \right) \left(r_1 - r_2 \right)^6 \right) \right| \end{aligned}$$

with

$$\begin{aligned} \mathcal{J}_{43} &= \left[33600M_4 \left(r_1^2 + r_1r_2 + r_2^2 \right) \left(3M_5r_1^2 - r_2^2(r_1 - r_2)^3 \right) \right. \\ &\quad \left. + (r_1 - r_2)^4 \left(320M_5 \left(2r_1^4 + 10r_1^3r_2 + 30r_1^2r_2^2 + 49r_1r_2^3 + 35r_2^4 \right) - r_2^2(r_1 - r_2)^3 \left(99r_1^2 + 152r_1r_2 + 64r_2^2 \right) \right) \right]^2 \end{aligned}$$

References

- [1] A. AZZAM - E. KREYSZIG, *On solutions of elliptic equations satisfying mixed boundary conditions*. SIAM J. Math. Anal., 13 (1982), 254-262.
- [2] V. BARBU, *Optimal control of variational inequalities*, Research Notes in Mathematics, Vol. 100, Pitman (Advanced Publishing Program), Boston (1984).
- [3] F. BEN BELGACEM - H. EL FEKIH - H. METOUI, *Singular perturbation for the Dirichlet boundary control of elliptic problems*, ESAIM: M2AN, 37 (2003), 833-850.
- [4] A. BENSOUSSAN, *Teoría moderna de control óptimo*, Cuadern. Inst. Mat. Beppo Levi # 7, Rosario (1974).
- [5] M. BERGOUNIOUX- K. KUNISCH, *Augmented lagrangian techniques for elliptic state constrained optimal control problems*. SIAM J. Control Optim., 35 (1997), 1524-1543.
- [6] E. CASAS- J.C. DE LOS REYES- F. TRÖLTZSCH, *Sufficient second-order optimality conditions for semilinear control problems with pointwise state constraints*, SIAM J. Optim., 19 (2008), 616-643.
- [7] E. CASAS- M. MATEOS- J. P. RAYMOND, *Penalization of Dirichlet optimal control problems*, ESAIM: COCV, 14 (2009), 782-809.
- [8] E. CASAS - J. P. RAYMOND, *Error estimates for the numerical approximation of Dirichlet boundary control for semilinear elliptic equations*. SIAM J. Control Optim., 45 (5) (2006), 1586-1611.
- [9] E. CASAS- F. TRÖLTZSCH, *Second-Order necessary and sufficient optimality conditions for optimization problems and applications to control theory*, SIAM J. Optim., 13 (2002), 406-431.
- [10] G. GARGUCHEVICH - D.A. TARZIA, *The steady-state two-phase Stefan problem with an internal energy and some related problems*, Atti Sem. Mat. Univ. Modena, 39 (1991), 615-634.
- [11] C.M. GARIBOLDI - D.A. TARZIA, *Convergence of distributed optimal controls on the internal energy in mixed elliptic problems when the heat transfer coefficient goes to infinity*, Appl. Math. Optim., 47 (2003), 213-230.
- [12] C.M. GARIBOLDI - D.A. TARZIA, *Convergence of boundary optimal control problems with restrictions in mixed elliptic Stefan-like problems*, Adv. Diff. Eq. Control Processes, 1(2) (2008), 113-132.
- [13] C. M. GARIBOLDI - D. A. TARZIA, *Existence, Uniqueness and Convergence of Simultaneous Distributed-Boundary Optimal Control Problems*, Control and Cybernetics, 44(1) (2015), 5-17.
- [14] P. GRISVARD, *Elliptic problems in non-smooth domains*, Pitman, London (1985).
- [15] R. HALLER-DINTELMANN- C. MEYER- J. REHBERG- A. SCHIELA, *Hölder continuity and optimal control for nonsmooth elliptic problems*. Appl. Math. Optim., 60 (2009), 397-428.
- [16] M. HINTERMÜLLER- M. HINZE, *Moreau-Yosida regularization in state constrained elliptic control problems: error estimates and parameter adjustment*. SIAM J. Numer. Anal., 47 (2009), 1666-1683.
- [17] M. HINZE, *A variational discretization concept in control constrained optimization: the linear-quadratic case*. Comput. Optim. Appl., 30 (2005) 45-61.

- [18] S. KESAVAN - J. SAINT JEAN PAULIN, *Optimal control on perforated domains*, J. Math. Anal. Appl., 229 (1999) 563-586.
- [19] L. LANZANI- L. CAPOGNA- R.M. BROWN, *The mixed problem in L^p for some two-dimensional Lipschitz domains*, Math. Ann., 342 (2008) 91-124.
- [20] J.L. LIONS, *Contrôle optimal de systèmes gouvernés par des équations aux dérivées partielles*, Dunod, Paris (1968).
- [21] C. MEYER- A. RÖSCH- F. TRÖLTZSCH, *Optimal control of PDEs with regularized pointwise state constraints*. Comput. Optim. Appl., 33 (2006), 209-228.
- [22] P. NEITTAANMÄKI- J. SPREKELS- D. TIBA, *Optimization of elliptic systems. Theory and applications*, Springer Monographs in Mathematics. Springer, New York (2006).
- [23] E. SHAMIR, *Regularization of mixed second order elliptic problems*. Isr. J. Math., 6 (1968), 150-168.
- [24] E.D. TABACMAN - D.A. TARZIA *Sufficient and/or necessary condition for the heat transfer coefficient on Γ_1 and the heat flux on Γ_2 to obtain a steady-state two-phase Stefan Problem*. J. Diff. Eq., 77 (1989), 16-37.
- [25] D.A. TARZIA, *Sur le problème de Stefan à deux phases*, C.R. Acad. Sc. Paris, 288A (1979), 941-944.
- [26] D.A. TARZIA, *An inequality for the constant heat flux to obtain a steady-state two-phase Stefan problem*, Engng. Analysis, 5 (1988), 177-181.
- [27] D.A. TARZIA, *Double convergence of a family of discrete distributed mixed elliptic optimal control problems with a parameter*, in Proceedings of the 27th IFIP TC 7 Conference on System Modelling and Optimization, CSMO 2015, IFIP AICT 494, L. Bociu and J.-A. Desideri and A. Habbal (Eds.), Springer, Berlin (2016), 493-504.
- [28] F. TRÖLTZSCH, *Optimal control of partial differential equations. Theory, methods and applications*, American Math. Soc., Providence (2010).
- [29] D. WACHSMUTH-G. WACHSMUTH, *Regularization error estimates and discrepancy principle for optimal control problems with inequality constraints*, Control and Cybernetics, 40 (2011), 1125-1158.