

High Resolution Continuous Flow Analysis System developed at the Ice Core Research Center, National Institute of Polar Research

Remi Dallmayr¹, Kumiko Goto-Azuma^{1,2}, Kenji Kawamura^{1,2}, Motohiro Hirabayashi¹, Vasileios Gkinis³, Kyotaro Kitamura¹,
Yoshimi Ogawa¹, Kazuhiro Hayashi¹, Akane Tsushima¹, Jun Ogata¹

¹National Institute of Polar Research, Tachikawa, Japan

²SOKENDAI (The Graduate University for Advanced Studies)

³Center for Ice and Climate, Copenhagen, Denmark

In the last decades, Continuous Flow Analysis (CFA) technology for ice core analysis has been developed to reconstruct the past changes of the climate system with greater sample throughput and much higher depth resolution (1, 2). The system developed at the National Institute of Polar Research generates a continuous stream of melt water and air bubbles. As shown in Figure 1 water and air are separated in two steps. The first separation occurs in a sealed main degassing unit to provide a bubble-free water stream and an overflow containing air bubbles. The water stream offers a continuous determination of dust size distribution and concentration (Abakus, Markus Klotz GmbH), stable water isotope ratios (Picarro L2130), electrolytic conductivity (Amber Sciences), black carbon (SP2, Droplet Measurement Technologies), and chemical impurities (7700 ICP-MS, Agilent), as well as discrete samples collected with fraction collectors (FC204, Gilson) at variable depth intervals for further analyses. The air bubbles of the overflow stream are extracted to analyze methane mixing ratios (Picarro G2301) (3).

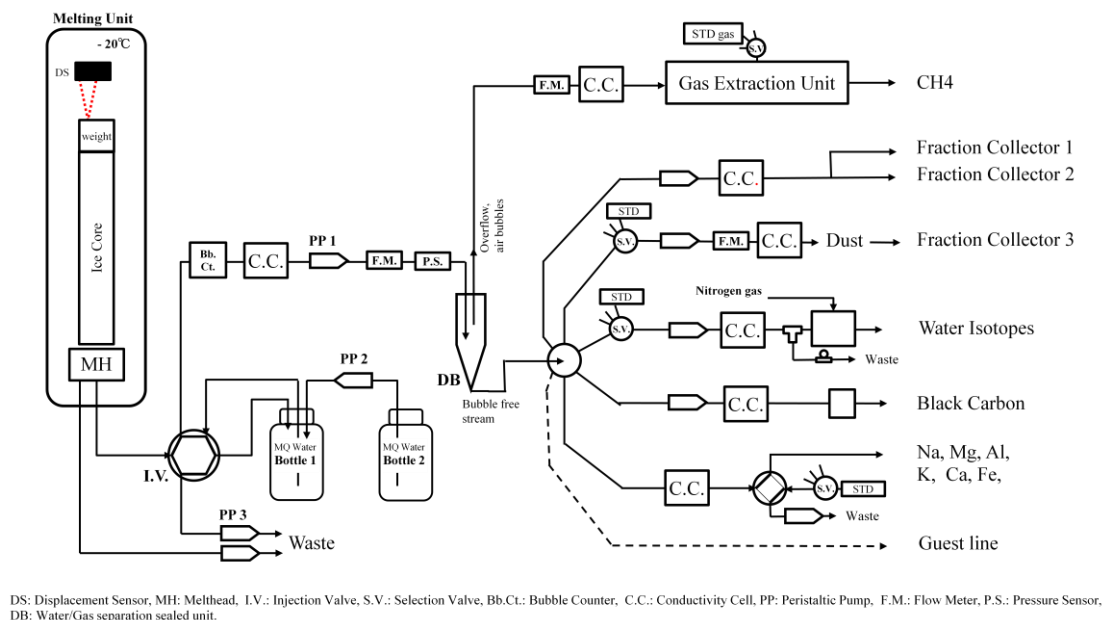


Figure 1. ICRC/NIPR CFA system schematic diagram

To demonstrate the performance of our system, we will present the data obtained from continuous analyses of a shallow core drilled at Dome Fuji, East Antarctica, for the depth interval between 112.6m and 96.8m.

References

- (1) Bigler et al, "Optimization of High-Resolution Continuous Flow Analysis For Transient Climate Signals in Ice Cores". *Environ. Sci. Technol.* 2011, **45**, 4483-4489.
- (2) Kaufmann et al, "An Improved Continuous Flow Analysis System for High Resolution Field Measurements on Ice Cores". *Environ. Sci. Technol.* 2008, **42**, 8044-8050.
- (3) Rhodes et al, "Continuous methane measurements from a late Holocene Greenland ice core: Atmospheric and in-situ signals" *Earth and Planetary Science Letters*. 2013, **368**, 9–19