

Resting EEG Measures of Brain Arousal in a Multisite Study of Major Depression

Clinical EEG and Neuroscience
2019, Vol. 50(1) 3–12
© EEG and Clinical Neuroscience
Society (ECNS) 2018
Article reuse guidelines:
sagepub.com/journals-permissions
DOI: 10.1177/1550059418795578
journals.sagepub.com/home/eeg



Christine Ulke^{1,2*} , Craig E. Tenke^{3,4*}, Jürgen Kayser^{3,4}, Christian Sander^{1,2}, Daniel Böttger^{1,2}, Lidia Y. X. Wong⁴, Jorge E. Alvarenga⁴, Maurizio Fava⁵, Patrick J. McGrath^{3,4}, Patricia J. Deldin⁶, Melvin G. Mcinnis⁷, Madhukar H. Trivedi⁸, Myrna M. Weissman^{3,4}, Diego A. Pizzagalli⁹, Ulrich Hegerl^{1,2}, and Gerard E. Bruder^{3,4}

Abstract

Several studies have found upregulated brain arousal during 15-minute EEG recordings at rest in depressed patients. However, studies based on shorter EEG recording intervals are lacking. Here we aimed to compare measures of brain arousal obtained from 2-minute EEGs at rest under eyes-closed condition in depressed patients and healthy controls in a multisite project—Establishing Moderators and Biosignatures of Antidepressant Response for Clinical Care (EMBARC). We expected that depressed patients would show stable and elevated brain arousal relative to controls. Eighty-seven depressed patients and 36 healthy controls from four research sites in the United States were included in the analyses. The Vigilance Algorithm Leipzig (VIGALL) was used for the fully automatic classification of EEG-vigilance stages (indicating arousal states) of 1-second EEG segments; VIGALL-derived measures of brain arousal were calculated. We found that depressed patients scored higher on arousal stability ($Z = -2.163$, $P = .015$) and A stages (dominant alpha activity; $P = .027$) but lower on B1 stages (low-voltage non-alpha activity, $P = .008$) compared with healthy controls. No significant group differences were observed in Stage B2/3. In summary, we were able to demonstrate stable and elevated brain arousal during brief 2-minute recordings at rest in depressed patients. Results set the stage for examining the value of these measures for predicting clinical response to antidepressants in the entire EMBARC sample and evaluating whether an upregulated brain arousal is particularly characteristic for responders to antidepressants.

Keywords

EMBARC, electroencephalogram, VIGALL 2.1, major depressive disorder, brain arousal regulation, EEG-vigilance

Received May 12, 2018; revised July 17, 2018; accepted July 18, 2018.

Introduction

Resting EEG-Measures as Predictive and Diagnostic Biomarkers

Major depressive disorder (MDD) is a highly prevalent and chronic disorder, and a leading cause of disability worldwide.¹ Considering its immense contribution to the overall global burden of disease, the delayed onset of the effects of antidepressants (AD) and an AD nonresponse rate of up to 50%,² a robust and simple method for predicting AD treatment response would be very valuable. Electroencephalogram (EEG)-derived neurophysiological measures are promising biomarkers for predicting AD treatment response and for discriminating between MDD patients and healthy subjects (see Olbrich and Arns,³ Bruder et al,⁴ and Alhaj et al⁵ for review). They are highly heritable,⁶ widely available and they provide direct information on brain activity with a temporal resolution in the millisecond range.⁷

¹Department of Psychiatry and Psychotherapy, University of Leipzig, Leipzig, Germany

²Research Centre of the German Depression Foundation, Leipzig, Germany

³Department of Psychiatry, Columbia University Vagelos College of Physicians & Surgeons, New York, NY, USA

⁴New York State Psychiatric Institute, New York, NY, USA

⁵Depression Clinical and Research Program, Massachusetts General Hospital, Boston, MA, USA

⁶Departments of Psychology and Psychiatry, The University of Michigan, Ann Arbor, MI, USA

⁷Department of Psychiatry, The University of Michigan, Ann Arbor, MI, USA

⁸Department of Psychiatry, UT Southwestern Medical Center, Dallas, TX, USA

⁹Department of Psychiatry, Harvard Medical School and McLean Hospital, Belmont, MA, USA

*These authors have contributed equally to this work and are co-first authors.

Corresponding Author:

Christine Ulke, Department of Psychiatry and Psychotherapy, University of Leipzig, Semmelweisstrasse 10, 04103 Leipzig, Germany.
Email: christine.ulke@medizin.uni-leipzig.de

Full-color figures are available online at journals.sagepub.com/home/eeg

Among the most investigated findings in studies examining resting EEG Measures as AD response predictors are changes in the alpha band: several studies found greater resting state EEG alpha power in depressed patients who respond to antidepressants relative to nonresponders,^{4,8-11} mainly at posterior scalp locations. The posterior location was confirmed in a study analyzing spectra from reference-free current source density waveforms,⁸ which represent more closely the underlying neuronal generators.^{12,13} For decades, elevated alpha activity during rest has consistently been found in MDD patients in comparison with controls (see Olbrich and Arns³ for review). Importantly, prominent resting EEG characteristics, such as posterior EEG alpha oscillations, are highly stable over long time intervals (>12 years) in adults, thereby meeting the requirement of a trait biomarker.^{11,14,15}

More recently, Hegerl and colleagues developed the Vigilance Algorithm Leipzig (VIGALL; <http://www.uni-leipzig.de/vigall/>), which classifies consecutive 1-second segments of eyes-closed resting EEG into different EEG-vigilance stages, indicating states of brain arousal. On a behavioral level, several states of arousal can be discerned during the waking state,^{16,17} ranging from high wakefulness to sleep onset.¹⁸ VIGALL allows the objective assessment of the dynamics of brain arousal within multichannel EEG recordings using low-resolution electromagnetic tomography (LORETA)^{19,20} for its automatic stage classification. It was broadly validated with simultaneous EEG-FDG-PET (EEG-fluorodeoxyglucose-positron emission tomography),²¹ as well as EEG-functional magnetic resonance imaging studies,²² and by relating EEG-vigilance stages to parameters of the autonomous nervous system.²³⁻²⁶ A recent genome-wide association analysis (GWA) with arousal regulation (as assessed with VIGALL) revealed the involvement of a transmembrane protein, which has also been linked to depression in other GWAs.²⁷ Evidence of elevated and more stable brain arousal regulation in depressed individuals compared with healthy controls, based on 15-minute eyes-closed EEGs, was found²⁸ and replicated in two samples.^{29,30}

A relatively new paradigm in biomarker research is a multi-marker strategy to improve the discriminative power and to achieve sufficient prediction accuracy in order to personalize treatment. For example, in the context of the multisite placebo-controlled randomized clinical trial—Establishing Moderators and Biosignatures of Antidepressant Response for Clinical Care (EMBARC)^{31,32}—the value of multiple biomarkers for differential prediction of response to AD are systematically examined to develop biosignatures,^{31,32} which consist of a combination of markers with combined predictive value.³¹ Prior to examining brain arousal regulation as a marker for response prediction in the EMBARC study, the current feasibility study was conducted.

Rationale and Aim of the Feasibility Study

Within the EMBARC project, a new standardized processing procedure had been developed to ensure data compatibility between EEG acquisition sites.³² This procedure implemented

a standardized EEG procedure manual, data interpolation of different EEG recording setups to a common montage and sample rate, and a single standardized processing pipeline at all test sites (see figure 1 in Tenke et al³²). Test-retest reliability of EEG-derived measures following the standardized procedures was demonstrated to be good to excellent.³² The assessment of brain arousal in the resting EEG data of the EMBARC study (four 2-minute periods, half with eyes open, half with eyes closed) presented several challenges for VIGALL assessment. For example, the duration of each eyes-closed period was only two minutes, as opposed to the 15- to 20-minute recording period usually used for EEG-vigilance analyses.¹⁸ In addition, the EMBARC standardized processing procedure differed from the VIGALL standardized processing procedure (eg, concerning artifact correction). To evaluate whether automatic staging of EEG-vigilance in this dataset is feasible this initial study was conducted in a subsample of the EMBARC study before addressing the main study question of AD-response prediction in a separate report.

To this end, we examined whether the upregulated brain arousal previously demonstrated in depressed patients as compared with healthy adults using 15-minute resting EEG data²⁸⁻³⁰ could be replicated in 2-minute EEG recordings at rest under eyes-closed condition. We expected that depressed patients would show a more stable regulation and higher level of brain arousal than healthy controls.

Materials and Methods

Study Participants

The sample characteristics of all randomized depressed participants (N = 309) is described elsewhere.³¹ In this feasibility study, a subsample of 96 patients with MDD (among the first 100 batch with usable EEG data) constituted the patient sample from 4 testing sites: Columbia University Medical Center in New York (CU; n = 22), Massachusetts General Hospital in Boston (MG; n = 11), University of Texas Southwestern Medical Center in Dallas (TX; n = 41; and University of Michigan in Ann Arbor (UM; n = 22). Main inclusion criteria were age between 18 and 65 years (male/female), chronic (episode duration >2 years) or recurrent (≥ 2 recurrences) nonpsychotic MDD (according to *DSM-IV*) with an early onset (before age 30 years), fluency in English, and provision of written informed consent. Main exclusion criteria included diagnosis of bipolar disorder or schizophrenia (current or lifetime), other axis I or II diagnoses (except for nicotine/caffeine dependence), meeting *DSM-IV* criteria for substance abuse in the past six-months (except for nicotine). Of the 96 participants in the subsample used for the current analysis, data from eight depressive participants were eliminated due to bad EEG quality ($\geq 70\%$ of artifactual epochs in the first eyes-closed period), thus leaving data of 87 patients for the EEG-vigilance analyses.

The control sample for this feasibility study consisted of a total of 38 healthy adults (24 female, mean age of 37.6 years, age range 18 to 65 years,^{31,32} including study participants

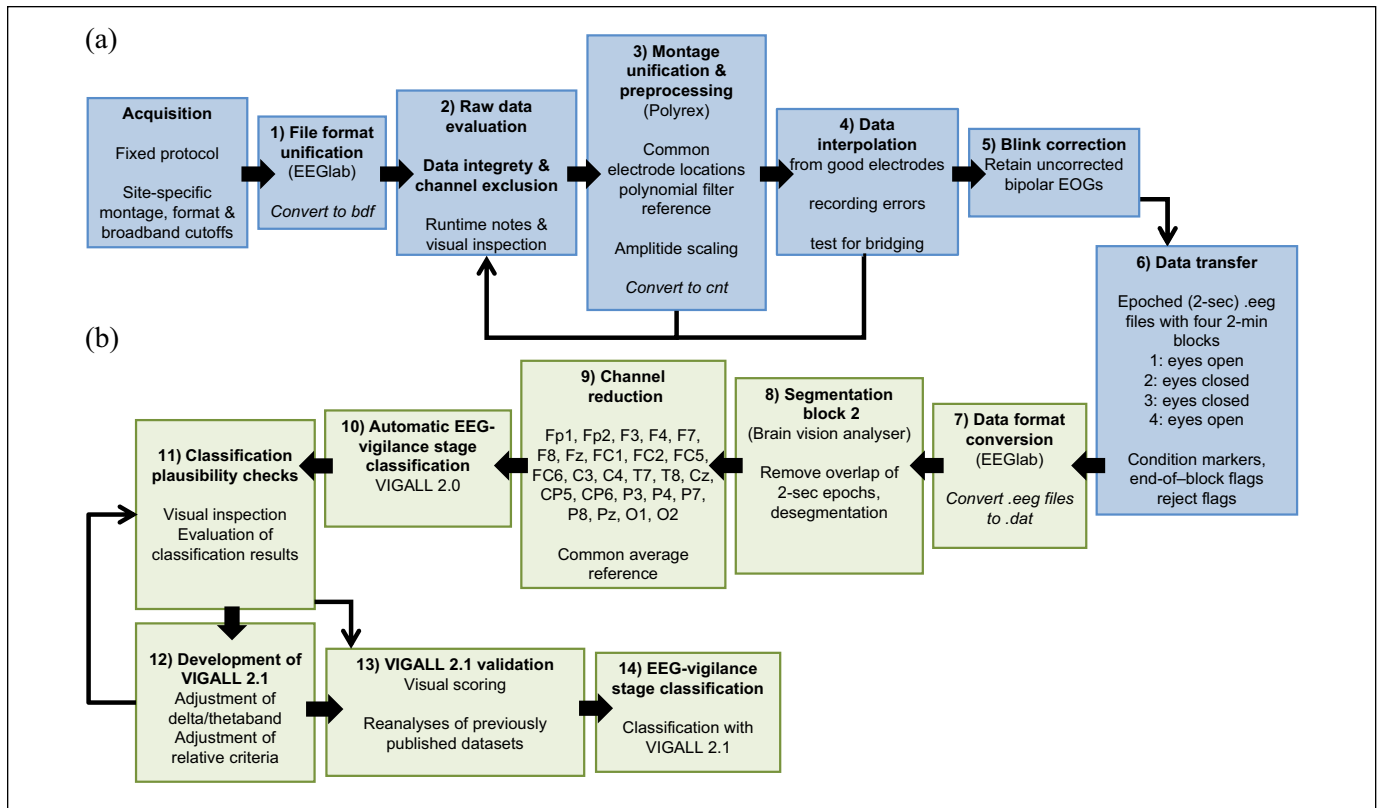


Figure 1. Flowcharts of the preprocessing pipeline (a) for continuous EEG of the EMBARC study, reproduced with permission from publisher³² and (b) preceding the EEG-vigilance staging with VIGALL 2.1.

from CU ($n = 10$), MG ($n = 9$), TX ($n = 10$), and UM ($n = 9$). Recruitment and screening methods are described elsewhere.³² Main inclusion criteria included age between 18 and 65 years, Quick Inventory of Depressive Symptomatology Self-Report (QIDS-SR)³³ score < 8 , fluency in English, and provision of written informed consent. Main exclusion criteria included diagnosis of major depression, bipolar disorder or schizophrenia (current or lifetime), current axis I or II diagnoses (except for nicotine/caffeine dependence), meeting *DSM-IV* criteria for substance abuse in the past six months (except for nicotine). Between testing sites, there was no significant difference in mean age or gender ratio; a more detailed description of inclusion and exclusion criteria is provided by Tenke et al.³² Data from two control subjects were eliminated due to bad EEG quality ($\geq 70\%$ of artifactual epochs in the first eyes-closed period), thus leaving data of 36 controls for the EEG-vigilance analyses.

Questionnaires

The 17-item Hamilton Rating Scale for Depression (HAM-D-17)³⁴ was administered to assess the severity of depressive symptoms. The sum score ranges between 0 and 52 whereby scores of 0 to 7 are considered as being normal, 8 to 16 indicate mild depression, 17 to 23 moderate depression and scores > 24 suggest severe depression.³⁵ The Edinburgh Handedness Inventory

(EHI)³⁶ laterality quotient (LQ; -100 to $+100$ maximum left to maximum right-handed) was used to assess handedness.

Resting EEG Acquisition Procedure

All four test-sites followed the EEG Procedure Manual to ensure standardized test administration.³² Experimenters at each lab were certified by the Columbia lab for EEG cap placement and task instruction via video conference. EEG acquisition at the four testing sites was conducted using different equipment, extensively outlined in Tenke et al.³² Continuous EEG data were recorded while participants sat quietly for four 2-minute periods in fixed order: eyes-open (block 1), eyes-closed (block 2), eyes-closed (block 3), eyes-open (block 4). During the recording, participants were instructed to remain still, inhibit blinks or eye movements and, during the eyes-open condition, fixate a central cross on a monitor.³² For the purpose of this study, only block 2 was examined (ie, the first eyes-closed condition).

Preprocessing Pipeline for Resting EEG

The preprocessing strategies to obtain comparable data of the four testing sites have been described by Tenke et al.³² Figure 1 presents the flowchart of the (a) standardized preprocessing pipeline for resting EEG of the EMBARC study and (b) the procedure preceding automatic EEG-vigilance stage classification.

Table 1. Assessment of EEG-Vigilance Stages by Applying VIGALL in the Current Study.

VIGALL Stages	Stage Scoring	EEG Characteristics
A1	6	Predominant occipital alpha activity
A2	5	Shifts of alpha to central and frontal cortical areas
A3	4	Continued frontalization of alpha
B1	3	Low amplitude, desynchronized non-alpha EEG with or without slow eye movements
B2/3	2	Dominant delta- and theta-power
C ^a	1	Occurrence of grapho-elements indicating sleep onset

Abbreviations: VIGALL, Vigilance Algorithm Leipzig; EEG, electroencephalogram.

^aNot observed.

First, after data format conversion and import into Brain Vision Analyzer, a marker (“USE”) was placed in every alternate 2-second epoch of block 2. Thereafter, 1000 ms after “USE” were segmented to obtain sequential nonoverlapping 1-second segments. Because of the preprocessed and segmented state of the resting EEG data, we refrained from preprocessing steps usually applied to raw data before applying VIGALL to comply with the standardized EMBARC protocol.

We refrained from using independent component analysis³⁷⁻³⁹ because of its potentially reduced efficacy for selection of independent components due to the cleaned and blink-removed data. We also refrained from marking of grapho-elements (eg, K-complexes), because epochs exceeding a 100 μ V threshold on any channel (including the electrooculography channels) had been automatically rejected to remove any epochs containing eye blinks. Notwithstanding, all single trials were screened for sleep spindles by an experienced rater, but none were identified.

Adaptation to VIGALL Algorithm

In a first step, plausibility checks of the automatic EEG-vigilance stage classification were conducted, resulting in methodological adjustments to VIGALL and the release of VIGALL 2.1. The necessity arose from the fact that initial EEG-vigilance staging with an earlier version of the algorithm (VIGALL 2.0) yielded an incorrect classification of segments containing traces of eye movement artifacts as EEG-vigilance Stage B2/3, which is characterized by dominant delta or theta power in the EEG (see Table 1). Since noncephalic artifacts often occur in the 2- to 4-Hz frequency range,⁴⁰ and given the absence of sleep-spindles in this dataset, we circumvented this problem in a new version of VIGALL, which allows the manual adjustment of the delta/theta range,¹⁸ by omitting the delta range. The decision criteria of the algorithm are presented in Figure 2. The software was written by one of the authors, is licensed under GPL3 and available at <https://github.com/danielboettger/VIGALL/>.

EEG-Vigilance Staging and Arousal Parameterization

Using VIGALL 2.1, the consecutive 1-second segments were classified into 5 different EEG-vigilance stages: A1, A2, A3, B1 and B2/3 (C was not observed; see Table 1), based on frequency bands and source localization with LORETA.

To note, as no continuous EOG data were available, we could not discriminate stage B1 from stage 0, since this is done by detecting slow horizontal eye movements (SEM). Thus, stages B1 and 0 were combined as B1 as it is suggested when SEMs cannot be assessed.¹⁸ The VIGALL 2.1 classification results were written to a text file and imported into a Microsoft Excel template. Next, brain arousal parameters were calculated with Visual Basic for Applications (VBA) macros in Microsoft Excel and using SPSS-syntax in SPSS. Each 1-second staged EEG-segment was assigned a score ranging from 6 (A1) to 2 (B2/3; see Table 1).

Arousal Regulation. To quantify the extent of arousal decline (i.e., arousal regulation), we calculated an arousal stability index based on 1-minute intervals (interval 1, segments 1-60; interval 2, segments 2-61; etc). Scoring criteria are presented in Table 2; high score corresponds to a stable arousal regulation.

Arousal Level. The absolute amount and the percentage (amount \times 100/total number of non-artifactual segments) of EEG-vigilance staged segments (A, B1, and B2/3) were calculated for block 2 (ie, the first eyes-closed condition). To calculate mean EEG-vigilance across block 2, we computed and averaged the mean of all scored 1-second segments without considering artifactual segments.

Statistical Analyses

Statistical analyses were performed in SPSS Statistics 24.0 (IBM Corp; Armonk, NY, USA). To assess whether groups differed concerning gender, race, handedness, age, education, and severity of depressive symptomatology we conducted independent chi-square test (gender, handedness, race), and analyses of variance (continuous demographic variables). To assess group differences concerning arousal regulation (ie, arousal stability index), arousal level (ie, the relative amount of EEG-vigilance stages A, B1, and B2/3, mean EEG-vigilance) we conducted Mann-Whitney *U* tests due to non-normality of the data. For post-hoc analysis of mean EEG-vigilance, we limited the number of artifactual segments in each of the eight 15-second intervals. Thereby, subjects with 80% artifactual segments or more in any

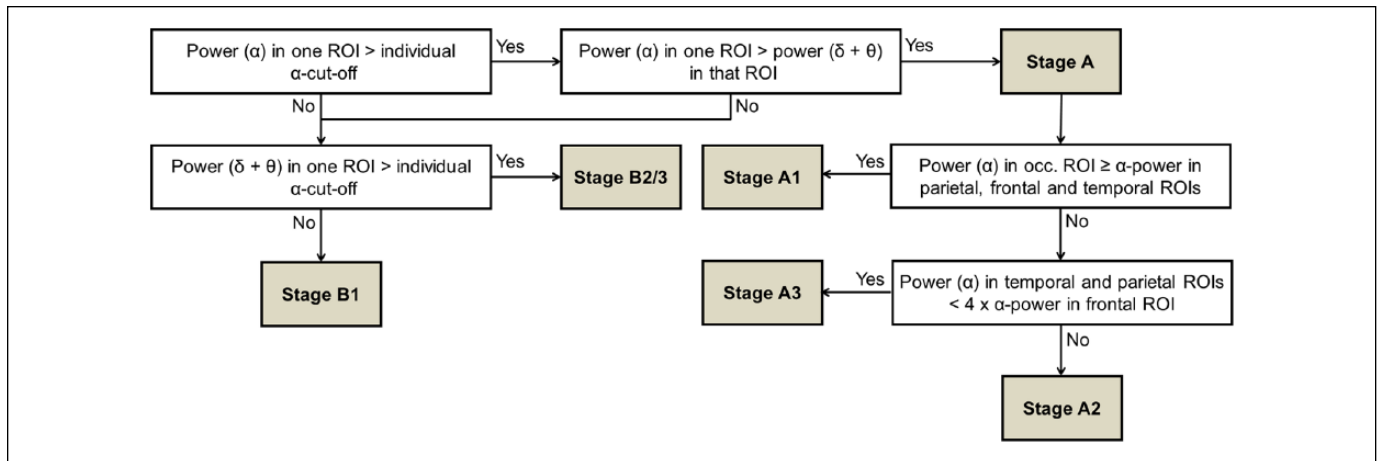


Figure 2. Decision criteria of the Vigilance Algorithm Leipzig (VIGALL) used in the current study. Classification of vigilance stages is based on power in four regions of interest (ROIs; frontal, parietal, temporal, and occipital lobes). For these ROIs, current density power is calculated using low-resolution electromagnetic tomography (LORETA)¹⁹ for the alpha and delta/theta band. Prior to classification, alpha frequency and amplitude level is individually adapted, based on a 10-second epoch with prominent alpha activity (default range 7.5-12.5 Hz). For the respective epoch, the individual center of gravity for the alpha frequency and mean power in the occipital ROI are calculated. Based on this frequency, the alpha range (individual frequency ± 2 Hz) is determined. Occipital alpha power is used to determine the individual alpha threshold as cutoff value in the classification of A and B2/3 stages.

Table 2. Scoring Criteria of the Arousal Stability Index.

Scoring Criteria	Score
$\geq 2/3$ of all segments classified as A1 (minute 1 or 2)	6
$\geq 2/3$ of all segments classified as A1-3 (minute 1 or 2)	5
$\geq 1/3$ of segments in minute 2 classified as B1	4
$\geq 1/3$ of segments in minute 1 classified as B1	3
$\geq 1/3$ of segments in minute 2 classified as B2/3	2
$\geq 1/3$ of segments in minute 1 classified as B2/3	1

15-second interval were excluded, leaving 66 depressed patients and 28 healthy controls. The one-tailed significance level was set to $P \leq .05$.

Results

Characteristics of Sample

Table 3 presents the demographic characteristics and the HAMD-17 scores at baseline of the 36 healthy controls and the 87 participants with MDD. Of the 36 healthy controls (age, mean \pm SE: 37.0 ± 2.4 years), the majority (58.3%) were female and Caucasian (69.4%); mean HAMD-17 scores of < 1 (range 0-3) were in the normal range. Of the 87 depressed patients (age, mean \pm SE: 39.0 ± 2.4 years), the majority (64.4%) were female and Caucasian (65.5%); mean HAMD-17 scores of 18.7 (range 11-32) indicated a mild to severe depressive symptomatology in depressed participants. Groups did not differ in gender, race, handedness, age, EHI score, and education ($F_{1,122} < 1.0$, nonsignificant). Groups differed in depression severity ($F_{1,119} = 533.94$, $P < .001$).

Between-Group Comparisons of EEG Measures of Brain Arousal

Examples of the individual time course of EEG-vigilance stages across block 2 are presented in Figure 3. The time course of the mean EEG-vigilance over the 2-minute EEG (eight 15-second intervals) and the frequency distribution of the arousal stability scores in depressed patients and controls are presented in Figure 4. Between-group comparisons of arousal stability scores, mean EEG-vigilance and relative amount of EEG-vigilance stages A, B1, and B2/3 are presented in Table 4.

In general, arousal stability, mean vigilance, and Stage A vigilance scores were greater in MDD patients than healthy controls. However, vigilance scores in Stage B1 were greater in healthy controls than in MDD patients, and no significant group differences were observed in Stage B2/3 (see Table 4).

Concerning the arousal stability index, the between-group analyses revealed significant results with moderate effect size (Cohen's $d = 0.461$; $P = .015$). Depressed patients remained longer in A stages, as compared with healthy controls.

Concerning the relative amount of EEG-vigilance stages, MDD patients had significantly larger amount of Stage A ($P = .027$) with a moderate effect size (Cohen's $d = 0.485$) and significantly smaller amount of Stage B1 ($P = .008$), with moderate effect size (Cohen's $d = 0.551$).

Concerning the mean EEG-vigilance of the entire block 2, no significant differences could be obtained (Cohen's $d = 0.333$, $P = .085$), albeit a trend was observed. Post-hoc analysis of mean vigilance did, however, reveal a significant effect ($Z = -1.889$, $P = .029$), when a successive artifact criterion was applied (see Materials and Methods section). To note, comparing both groups concerning the number of

Table 3. Characteristics of 36 Healthy Controls and 87 Depressed Patients.

Characteristic	Healthy Controls (n = 36)		Depressed Patients (n = 87)		Comparison				
	n	%	n	%	Chi-Square	P			
Sex						.529			
Female	21	58.3	56	64.4					
Male	15	41.6	31	35.6					
Race						.883			
White	25	69.4	57	65.5					
Black or African American	7	19.4	22	25.3					
Asian	2	5.6	3	3.4					
American Indian/Alaska native	0	—	1	1.2					
More than one race	2	5.6	4	4.6					
Handedness (EHI)						.296 (Fisher's exact P)			
Left-handed	5	13.9	6	6.9					
Right-handed	31	86.1	81	93.1					
	Mean	SE	Range	Mean	SE	Range	F	df	P
Age (years)	37.0	2.4	18-65	39.0	1.5	18-65	0.52	122	.474
Education (years)	15.2	0.4	10-20	15.1	0.3	9-21	0.04	122	.839
EHI score	67.5	4.7	-100-100	74.7	4.7	-100-100	0.60	122	.441
HAMD-17	0.7	0.2	0-3	18.7	0.5	11-32	533.94	119	<.001

Abbreviations: EHI, Edinburgh Handedness Inventory; HAMD-17, 17-item Hamilton Rating Scale for Depression.

artifactual segments per 15-second interval no significant differences were found between groups (before and after limiting the number of artifactual segments) in the entire 2-minute recording period or in any of the eight 15-second intervals.

Discussion

The present study used VIGALL 2.1¹⁸ to compare EEG measures of brain arousal obtained from 2-minute eyes-closed recordings in depressed patients and healthy controls in the multisite EMBARC study. As expected, MDD patients showed a more stable arousal regulation, as evidenced by a higher arousal stability score, as well as relatively more A stages (alpha activity) and less B1 stages (low voltage, non-alpha activity) than healthy controls. However, there were no group differences during B2/3 stages (indicating drowsiness) and the 2-minute mean EEG-vigilance score was marginally significant.

EEG-Measures of Brain Arousal: Regulation

Our results are in line with previous studies reporting evidence of a hyperstable arousal regulation in unmedicated depressed patients during a 15-minute resting EEG,²⁸ wherein depressed patients had a longer latency to stages A2, A3, and B2/3 and less switches between main stages A, B, and C, as well as significantly less frequent switches between EEG-vigilance substages, relative to healthy controls. These effects were already present in the first 2 minutes,²⁸ albeit more

pronounced toward the end of the 15-minute recording. Conversely, although Schmidt et al³⁰ found a significant group x time interaction between unmedicated depressed patients and healthy controls using the means of EEG-vigilance of five 3-minute intervals as a within-subjects factor time on task, significant group differences of mean EEG-vigilance did not occur before the third 3-minute interval (minutes 7 to 9).³⁰ This may indicate that a longer EEG recording (ie, 15-vs 2-minute recording period) may ensure more robust findings and may be more suitable for clinical practice than short 2-minute recordings.

EEG-Measures of Brain Arousal: Level

Mean EEG-Vigilance. The mean vigilance over the 2-minute recording period was greater in depressed patients than in healthy controls, but this finding was less robust than between-group differences of arousal stability score. Still, when restricting the number of artifacts in consecutive eight 15-second intervals, group differences of mean EEG-vigilance reached the level of significance in support of this observation. One reason for the higher vulnerability of mean EEG-vigilance to the unequal distribution of artifact segments in the 2-minute recording period could be due to missing segments at the end or the beginning of the recording, which may create a bias in producing results that are falsely low or high. For example, given that eyelid closure results in alpha synchronization in most people,⁴² dominant artifact contamination in the second minute of recording could result in a falsely high EEG-vigilance score, given that artifacts were not taken into account for

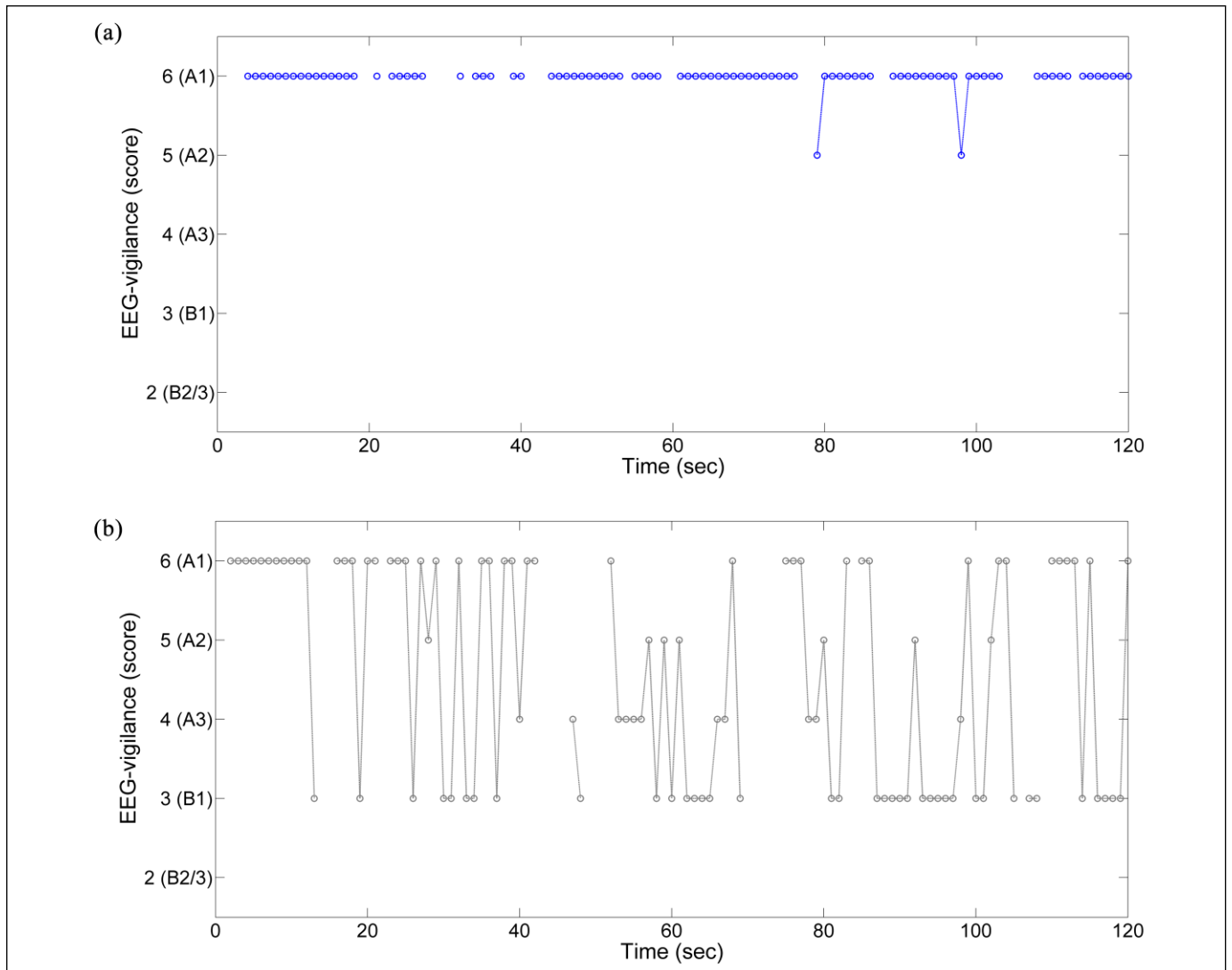


Figure 3. Time course of scored EEG-vigilance over 120 consecutive 1-second segments in (a) a patient with major depressive disorder and (b) a healthy control subject. To obtain EEG-vigilance scores, consecutive 1-second EEG segments were classified using the Vigilance Algorithm Leipzig into five different EEG-vigilance stages: A1, A2, A3, B1, B2/3 (based on frequency bands and source localization with LORETA). Each staged segment was assigned a number ranging from 6 (highest Stage A1) to 2 (lowest Stage B2/3).

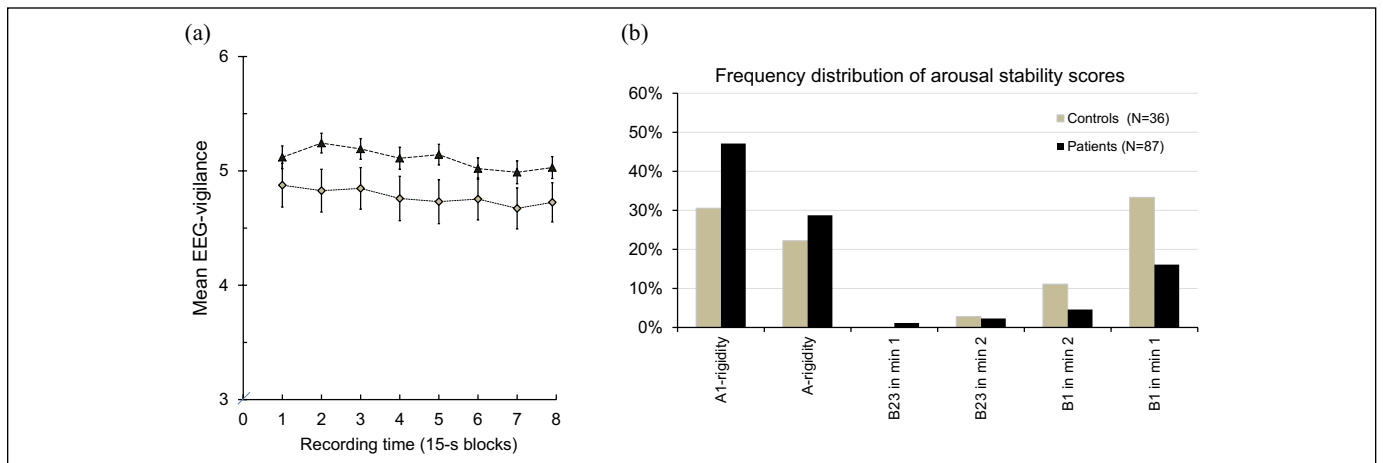


Figure 4. Time course of (a) mean EEG-vigilance of eight 15-second intervals and (b) frequency distribution of the arousal stability scores in depressed patients ($n = 87$) and healthy controls ($n = 36$). Error bars indicate \pm ISE.

Table 4. Group Comparisons (MDD Patients vs Healthy Controls) of EEG-Measures of Brain Arousal—Arousal Stability Index, Mean EEG-Vigilance and Relative Amount of EEG-Vigilance Stages A, B1, and B2/3—Based on 2-Minute EEG Periods Under Eyes-Closed Condition (Block 2).

	MDD Patients, n = 87 (Mean ± SD)	Healthy Controls, n = 36 (Mean ± SD)	Test Value ^a Z	Cohen's <i>d</i>	<i>P</i> (One-Tailed)
Stability index, score	5.0 ± 1.3	4.4 ± 1.3	-2.165	0.461	.015*
Mean vigilance, score	5.1 ± 0.8	4.8 ± 1.0	-1.373	0.333	.085(*)
Stage A, %	83.3 ± 24.3	69.1 ± 34.3	-1.933	0.485	.027*
Stage B1, %	13.4 ± 22.8	29.0 ± 33.8	-2.491	0.551	.006**
Stage B2/3, %	3.3 ± 8.7	2.0 ± 5.6	-0.630	0.181	.269 n.s.
Artifacts, ^b %	24.5 ± 14.7	25.1 ± 15.3	—	—	.924 n.s.

Abbreviations: MDD, major depressive disorder; n.s., nonsignificant.

^aMann-Whitney *U* test. Cohen's *d* was calculated using G-power.⁴¹

^bNumber of artifactual segments × 100/total number of segments. To note, the relative amount of vigilance stages was calculated without considering artifacts: amount × 100/total number of non-artifactual segments.

(*)*P* ≤ .10, **P* ≤ .05, ***P* ≤ .01.

the calculation of the 2-minute mean vigilance score. Thus, for the assessment of the mean EEG-vigilance, a successively applied artifact criterion is crucial.

EEG-Vigilance Stages A, B1, and B2/3. Several studies have found higher occurrence of EEG-vigilance Stage A and lower occurrence of B1-stages in depressed patients, relative to controls, in 15- to 20-minute resting EEGs.²⁸⁻³⁰ Despite the relative short eyes-closed period of two minutes analyzed in the current study, we obtained similar findings, that is, a pattern of increased alpha and decreased desynchronized non-alpha EEG in MDD patients. Of note, group differences of Stages A and B1 were significant, but not group differences of Stage B2/3. We attribute this to its overall rare occurrence (<3.5%) within the short recording time. Our findings are consistent with previous studies that demonstrated increased alpha power in MDD patients^{43,44} in comparison with healthy controls (reviewed in Olbrich and Arns³).

Limitations

Limitations of the current study include a lack of control for sleep quality or duration during the night preceding the EEG recording, although participants had been instructed to get adequate sleep before testing. Despite these limitations, the present findings are in remarkable agreement with those of prior reports.^{28,45}

Conclusion

We were able to replicate the finding of a more stable regulation and elevated level of brain arousal in MDD patients during short 2-minute EEG recordings at rest using an EEG-based algorithm for automatic EEG-vigilance stage classification. For the first time, we applied a fully automatic version of VIGALL in a multisite study which uses standardized procedures across testing sites that differ from VIGALL's standard operating procedure, suggesting a broader applicability of this algorithm. Accordingly, an evaluation of these EEG measures

of brain arousal as a putative predictor of AD response is warranted as the logical next step in keeping with the aims of the EMBARC study.

Author Contributions

CU and CET served as co-first authors and contributed equally to the work. CU contributed to the design of the feasibility study, VIGALL 2.1 development, analysis, interpretation, drafted the manuscript and agrees to be accountable for all aspects of the EEG-vigilance analyses ensuring integrity and accuracy; CET contributed to conception, design, acquisition, analysis, interpretation and drafting of manuscript; JK contributed to conception, design, analysis, interpretation and drafting of manuscript and agrees to be accountable for all other aspects of the work ensuring integrity and accuracy. CS contributed to design of the feasibility study, VIGALL 2.1 development, analysis, interpretation, critically revised manuscript, gave final approval; DB contributed to VIGALL 2.1 development, coding, critically revised manuscript, gave final approval; LYXW contributed to statistical analysis, critically revised manuscript, gave final approval; JEA contributed to acquisition, critically revised manuscript, gave final approval; MF, PJM, PJD, MJM, MHT, MMW, and DAP contributed to conception, design, acquisition, critically revised the manuscript, gave final approval; UH contributed to the conception and design of the feasibility study, VIGALL 2.1 development, analysis, interpretation, and drafting of the manuscript; GEB contributed to conception, design, acquisition, interpretation and drafting of manuscript.

Acknowledgments

This report was funded in part by the cooperation between the German Depression Foundation and the Deutsche Bahn Stiftung gGmbH (CU), and NIMH grant MH115299 (JK). This work is dedicated to Dr. Craig E. Tenke, who passed away during the process of publication.

Declaration of Conflicting Interests


The authors declared the following potential conflicts of interest with respect to the research, authorship, and/or publication of this article: In the last three years, the authors report the following financial disclosures, for activities unrelated to the current research: Dr. Hegerl: Dr. Hegerl was an advisory board member for Lilly, Lundbeck, Servier,

Takeda and Otsuka; a consultant for Bayer and Nycomed; and a speaker for Bristol-Myers Squibb, Medice Arzneimittel, Novartis, and Roche. Dr. Fava: Dr. Fava reports the following lifetime disclosures: http://mghcme.org/faculty/faculty-detail/maurizio_fava. Dr. McInnis: Dr. McInnis received funding from the NIMH and consulting fees from Janssen and Otsuka Pharmaceuticals. Dr. Trivedi: Dr. Trivedi reports the following lifetime disclosures: research support from the Agency for Healthcare Research and Quality, Cyberonics Inc., National Alliance for Research in Schizophrenia and Depression, National Institute of Mental Health, National Institute on Drug Abuse, National Institute of Diabetes and Digestive and Kidney Diseases, Johnson & Johnson, and consulting and speaker fees from Abbott Laboratories Inc., Akzo (Organon Pharmaceuticals Inc.), Allergan Sales LLC, Alkermes, AstraZeneca, Axon Advisors, Brintellix, Bristol-Myers Squibb Company, Cephalon Inc., Cerecor, Eli Lilly & Company, Evotec, Fabre Kramer Pharmaceuticals Inc., Forest Pharmaceuticals, GlaxoSmithKline, Health Research Associates, Johnson & Johnson, Lundbeck, MedAvante Medscape, Medtronic, Merck, Mitsubishi Tanabe Pharma Development America Inc., MSI Methylation Sciences Inc., Nestle Health Science-PamLab Inc., Naurex, Neuronetics, One Carbon Therapeutics Ltd., Otsuka Pharmaceuticals, Pamlab, Parke-Davis Pharmaceuticals Inc., Pfizer Inc., PgxHealth, Phoenix Marketing Solutions, Rexahn Pharmaceuticals, Ridge Diagnostics, Roche Products Ltd., Sepracor, SHIRE Development, Sierra, SK Life and Science, Sunovion, Takeda, Tal Medical/Puretech Venture, Targacept, Transcept, VantagePoint, Vivus, and Wyeth-Ayerst Laboratories. Dr. Weissman: funding from NIMH, the National Alliance for Research on Schizophrenia and Depression (NARSAD), the Sackler Foundation, and the Templeton Foundation; royalties from the Oxford University Press, Perseus Press, the American Psychiatric Association Press, and MultiHealth Systems. Dr. Pizzagalli: funding from NIMH and the Dana Foundation; consulting fees from Akili Interactive Labs, BlackThorn Therapeutics, Boehringer Ingelheim, Pfizer, and Posit Science. Dr. Kayser: funding from NIMH and the John F. Templeton foundation. All other authors report no financial conflicts.

Funding

The author(s) disclosed receipt of the following financial support for the research, authorship, and/or publication of this article: The EMBARC study was supported by the National Institute of Mental Health of the National Institutes of Health under award numbers U01MH092221 (MHT) and U01MH092250 (PGMcG, RVP, MMW). The content is solely the responsibility of the authors and does not necessarily represent the official views of the National Institutes of Health. This work was supported by the EMBARC National Coordinating Center at UT Southwestern Medical Center, Madhukar H. Trivedi, M.D., Coordinating PI, and the Data Center at Columbia and Stony Brook Universities.

ORCID iD

Christine Ulke  <https://orcid.org/0000-0002-8277-1671>

References

1. World Health Organization. Fact sheet No 369: depression 2018. <http://www.who.int/mediacentre/factsheets/fs369/en/>. Accessed April 6, 2018.
2. Satorius N, Baghai TC, Baldwin DS, et al. Antidepressant medications and other treatments of depressive disorders: a CINP Task Force report based on a review of evidence. *Int J Neuropsychopharmacol*. 2007;10(suppl 1):S1-S207.
3. Olbrich S, Arns M. EEG biomarkers in major depressive disorder: discriminative power and prediction of treatment response. *Int Rev Psychiatry*. 2013;25:604-618.
4. Bruder GE, Tenke CE, Kayser J. Electrophysiological predictors of clinical response to antidepressants. In: Mann JJ, McGrath JP, Roose SP, eds. *The Clinical Handbook for the Management of Mood Disorders*. New York, NY: Cambridge University Press; 2013:380-393.
5. Alhaj H, Wisniewski G, McAllister-Williams RH. The use of the EEG in measuring therapeutic drug action: focus on depression and antidepressants. *J Psychopharmacol*. 2011;25:1175-1191.
6. De Gennaro L, Marzano C, Fratello F, et al. The electroencephalographic fingerprint of sleep is genetically determined: a twin study. *Ann Neurol*. 2008;64:455-460.
7. Picton T, Bentin S, Berg P, et al. Guidelines for using human event-related potentials to study cognition: recording standards and publication criteria. *Psychophysiology*. 2000;37:127-152.
8. Tenke CE, Kayser J, Manna CG, et al. Current source density measures of electroencephalographic alpha predict antidepressant treatment response. *Biol Psychiatry*. 2011;70:388-394.
9. Ulrich G, Renfordt E, Frick K. The topographical distribution of alpha-activity in the resting EEG of endogenous-depressive inpatients with and without clinical response to pharmacotherapy. *Pharmacopsychiatry*. 1986;19:272-273.
10. Bruder GE, Stewart JW, Tenke CE, et al. Electroencephalographic and perceptual asymmetry differences between responders and nonresponders to an SSRI antidepressant. *Biol Psychiatry*. 2001;49:416-425.
11. Bruder GE, Sedoruk JP, Stewart JW, McGrath PJ, Quitkin FM, Tenke CE. Electroencephalographic alpha measures predict therapeutic response to a selective serotonin reuptake inhibitor antidepressant: pre-and post-treatment findings. *Biol Psychiatry*. 2008;63:1171-1177.
12. Kayser J, Tenke CE. Principal components analysis of Laplacian waveforms as a generic method for identifying ERP generator patterns: I. Evaluation with auditory oddball tasks. *Clin Neurophysiol*. 2006;117:348-368.
13. Tenke CE, Kayser J. Reference-free quantification of EEG spectra: combining current source density (CSD) and frequency principal components analysis (fPCA). *Clin Neurophysiol*. 2005;116:2826-2846.
14. Smit D, Posthuma D, Boomsma DI, Geus EJ. Heritability of background EEG across the power spectrum. *Psychophysiology*. 2005;42:691-697.
15. Tenke CE, Kayser J, Alvarenga JE, et al. Temporal stability of posterior EEG alpha over twelve years in a study of familial risk for major depressive disorder. *Clin Neurophysiol*. 2018;129:1410-1417.
16. Loomis AL, Harvey EN, Hobart G. Cerebral states during sleep, as studied by human brain potentials. *J Exp Psychol*. 1937;21:127-144.
17. Bente D. Vigilanz, dissoziative Vigilanzverschiebung und Insuffizienz des Vigilanztonus. In: Kranz H, Heinrich K, eds. *Begleitwirkung und Mißerfolge der psychiatrischen Pharmakotherapie*. Stuttgart, Germany: Georg Thieme; 1964:13-28.
18. Hegerl U, Sander C, Ulke C, et al. Vigilance Algorithm Leipzig (VIGALL) Version 2.1—Manual 2017. <http://research.uni-leipzig.de/vigall/>. Accessed February 20, 2018.
19. Pascual-Marqui RD. LORETA (low resolution brain electromagnetic tomography): new authentic 3D functional images of the brain. *ISBET Newsletter*. 1994;5:4-8.

20. Pascual-Marqui RD, Esslen M, Kochi K, Lehmann D. Functional imaging with low-resolution brain electromagnetic tomography (LORETA): a review. *Methods Find Exp Clin Pharmacol*. 2002;24(suppl C):91-95.
21. Guenther T, Schonknecht P, Becker G, et al. Impact of EEG-vigilance on brain glucose uptake measured with [¹⁸F]FDG and PET in patients with depressive episode or mild cognitive impairment. *Neuroimage*. 2011;56:93-101.
22. Olbrich S, Mulert C, Karch S, et al. EEG-vigilance and BOLD effect during simultaneous EEG/fMRI measurement. *Neuroimage*. 2009;45:319-332.
23. Olbrich S, Sander C, Matschinger H, et al. Brain and body: associations between EEG-vigilance and the autonomous nervous system activity during rest. *J Psychophysiol*. 2011;25:190-200.
24. Jawinski P, Kittel J, Sander C, et al. Recorded and reported sleepiness: the association between brain arousal in resting state and subjective daytime sleepiness. *Sleep*. 2017;40(7):zxs099. doi:10.1093/sleep/zsx099
25. Huang J, Ulke C, Sander C, et al. Impact of brain arousal and time-on-task on autonomic nervous system activity in the wake-sleep transition. *BMC Neurosci*. 2018;19:18.
26. Ulke C, Huang J, Schwabedal JTC, Surova G, Mergl R, Hensch T. Coupling and dynamics of cortical and autonomic signals are linked to central inhibition during the wake-sleep transition. *Sci Rep*. 2017;7:11804.
27. Jawinski P, Kirsten H, Sander C, et al. Human brain arousal in the resting state: a genome-wide association study [published ahead of print April 27, 2018]. *Mol Psychiatry*. doi:10.1038/s41380-018-0052-2
28. Hegerl U, Wilk K, Olbrich S, Schoenknecht P, Sander C. Hyperstable regulation of vigilance in patients with major depressive disorder. *World J Biol Psychiatry*. 2012;13:436-446.
29. Ulke C, Sander C, Jawinski P, et al. Sleep disturbances and upregulation of brain arousal during daytime in depressed versus non-depressed elderly subjects. *World J Biol Psychiatry*. 2017;18:633-640.
30. Schmidt FM, Pschiebl A, Sander C, et al. Impact of serum cytokine levels on EEG-measured arousal regulation in patients with major depressive disorder and healthy controls. *Neuropsychobiology*. 2016;73:1-9.
31. Trivedi MH, McGrath PJ, Fava M, et al. Establishing moderators and biosignatures of antidepressant response in clinical care (EMBARC): rationale and design. *J Psychiatr Res*. 2016;78:11-23.
32. Tenke CE, Kayser J, Pechtel P, et al. Demonstrating test-retest reliability of electrophysiological measures for healthy adults in a multisite study of biomarkers of antidepressant treatment response. *Psychophysiology*. 2017;54:34-50.
33. Rush AJ, Trivedi MH, Ibrahim HM, et al. The 16-item Quick Inventory of Depressive Symptomatology (QIDS), clinician rating (QIDS-C), and self-report (QIDS-SR): a psychometric evaluation in patients with chronic major depression. *Biol Psychiatry*. 2003;54:573-583.
34. Hamilton M. A rating scale for depression. *J Neurol Neurosurg Psychiatry*. 1960;23:56-62.
35. Zimmerman M, Martinez JH, Young D, Chelminski I, Dalrymple K. Severity classification on the Hamilton Depression Rating Scale. *J Affect Disord*. 2013;150:384-388.
36. Oldfield RC. The assessment and analysis of handedness: the Edinburgh inventory. *Neuropsychologia*. 1971;9:97-113.
37. Bell AJ, Sejnowski TJ. An information-maximization approach to blind separation and blind deconvolution. *Neural Comput*. 1995;7:1129-1159.
38. Makeig S, Bell AJ, Jung TP, Sejnowski TJ. Independent component analysis of electroencephalographic data. In: Touretzky D, Mozer M, Hasselmo M, eds. *Advances in Neural Information Processing Systems*. Cambridge, MA: MIT Press; 1996:145-151.
39. Delorme A, Sejnowski T, Makeig S. Enhanced detection of artifacts in EEG data using higher-order statistics and independent component analysis. *Neuroimage*. 2007;34:1443-1449.
40. Chaumon M, Bishop DV, Busch NA. A practical guide to the selection of independent components of the electroencephalogram for artifact correction. *J Neurosci Methods*. 2015;250:47-63.
41. Faul F, Erdfelder E, Lang AG, Buchner A. G*Power 3: a flexible statistical power analysis program for the social, behavioral, and biomedical sciences. *Behav Res Methods*. 2007;39:175-191.
42. Markand ON. Alpha rhythms. *J Clin Neurophysiol*. 1990;7:163-189.
43. Bruder GE, Tenke CE, Warner V, et al. Electroencephalographic measures of regional hemispheric activity in offspring at risk for depressive disorders. *Biol Psychiatry*. 2005;57:328-335.
44. Grin-Yatsenko VA, Baas I, Ponomarev VA, Kropotov JD. EEG power spectra at early stages of depressive disorders. *J Clin Neurophysiol*. 2009;26:401-406.
45. Schmidt FM, Sander C, Dietz ME, et al. Brain arousal regulation as response predictor for antidepressant therapy in major depression. *Sci Rep*. 2017;7:45187.