



## UvA-DARE (Digital Academic Repository)

### An effective modular process for biodiesel manufacturing using heterogeneous catalysis

Dimian, A.C.; Rothenberg, G.

**DOI**

[10.1039/c6cy00426a](https://doi.org/10.1039/c6cy00426a)

**Publication date**

2016

**Document Version**

Final published version

**Published in**

Catalysis Science & Technology

**License**

CC BY

[Link to publication](#)

**Citation for published version (APA):**

Dimian, A. C., & Rothenberg, G. (2016). An effective modular process for biodiesel manufacturing using heterogeneous catalysis. *Catalysis Science & Technology*, 6(15), 6097-6108. <https://doi.org/10.1039/c6cy00426a>

**General rights**

It is not permitted to download or to forward/distribute the text or part of it without the consent of the author(s) and/or copyright holder(s), other than for strictly personal, individual use, unless the work is under an open content license (like Creative Commons).

**Disclaimer/Complaints regulations**

If you believe that digital publication of certain material infringes any of your rights or (privacy) interests, please let the Library know, stating your reasons. In case of a legitimate complaint, the Library will make the material inaccessible and/or remove it from the website. Please Ask the Library: <https://uba.uva.nl/en/contact>, or a letter to: Library of the University of Amsterdam, Secretariat, Singel 425, 1012 WP Amsterdam, The Netherlands. You will be contacted as soon as possible.

*UvA-DARE is a service provided by the library of the University of Amsterdam (<https://dare.uva.nl>)*

CrossMark  
click for updatesCite this: *Catal. Sci. Technol.*, 2016,  
6, 6097

## An effective modular process for biodiesel manufacturing using heterogeneous catalysis

Alexandre C. Dimian\* and Gadi Rothenberg

We present an innovative reaction set-up and process for biodiesel manufacturing by heterogeneous catalysis. This process has two key advantages over the state-of-the-art process: it enables a variable reaction time and easy catalyst switching/replacement. The process principle presented here is generic for liquid-phase reactions requiring long residence times, where conventional fixed-bed column reactors offer little flexibility. This is especially important when one switches between feedstocks or when the catalyst activity declines over time. Biodiesel manufacturing is a highly relevant example, because the reactor performance depends on the feedstock nature and composition. The concept is demonstrated in a scaled-down continuous laboratory reactor, keeping a similar reaction time and comparable heat and mass transfer to a large-scale process by optimising the reactor dimensions, fluid velocity and catalyst pellet size. We then provide the design of the large-scale process, which consists of serpentine-type plug flow reactors assembled as vertical tubes filled with catalysts. The reactor productivity can increase significantly by reducing the catalyst pellet size. A switching system allows connecting/bypassing the tubes and easy catalyst replacement. The reactor can be employed in a two-stage reaction technology, or in a one-stage reaction combined with membrane separation. Production capacity can be scaled-up simply by adding parallel modules. The versatility and ease of application make this catalytic process concept suitable for low-cost mobile biodiesel production plants.

Received 25th February 2016,  
Accepted 26th April 2016

DOI: 10.1039/c6cy00426a

[www.rsc.org/catalysis](http://www.rsc.org/catalysis)

### Introduction

Mankind's short-term interest in biofuels and alternative energy sources might be affected by disorders in the spot price of crude oil, but in the long-term we will have to switch from fossil carbon sources to renewable ones. Biomass holds the key to the transition to a low-carbon economy, as it is widely available and renewable on a human timescale. Indeed, biorefineries will play an important role in any future scenario of sustainable energy management.<sup>1</sup> Thus, developing new processes for converting biomass efficiently into fuels and chemicals should be a top priority.<sup>2</sup>

Biodiesel is a case in point. Today, two main types of compatible diesel fuel are commercially produced in a large scale: fatty acid methyl esters (FAME) and hydroprocessed esters and fatty acids (HEFA). Following the US National Biodiesel Board and some experts,<sup>3</sup> the term biodiesel refers primarily to FAME, made mostly by the transesterification of triacylglycerides (TAG) and/or by the esterification of fatty acids (FA). Biodiesel primary feedstocks can be vegetable oil crops, such as rapeseed (canola), sunflower, soy and palm (first gen-

eration), or preferably waste lipid materials and non-edible vegetable oils, such as jatropha, camelina and ricinus (second generation). Future resources with high potential are algal biomass and the fermentation of carbohydrate wastes to lipids by special yeasts (third generation).<sup>4</sup>

HEFA fuel can be made by the hydrogenation of all lipid feedstock types. Note that HEFA should be integrated into a petro-refinery environment to ensure the availability of cheap hydrogen, a fluid catalytic cracking (FCC) facility and suitable separation equipment. Since collecting waste oil in large amounts raises logistic problems and costs, the most economical feedstock for HEFA remains shipping vegetable oil from remote plantations (*e.g.* palm oil), raising questions about its overall sustainability. HEFA is designated as a "green biodiesel" by some commercial producers.

Besides bioethanol, biodiesel is one of the two top renewable fuels. Following the last report of the Renewable Energy Network for the 21st Century (REN21), the annual world biodiesel production rose to more than twelve times from 2004 to 2014 to about 30 billion litres, which represents a share of 23% from the global biofuels. HEFA was about 3% at 4 billion litres. Europe produced 11.5 billion litres (40%), while USA produced 4.7 billion litres (16%). Rapid growth is expected in the next years from South Asia, South America and African countries.<sup>5</sup>

Van 't Hoff Institute for Molecular Sciences, University of Amsterdam, P.O. Box 94157, 1090GD Amsterdam, The Netherlands. E-mail: a.c.dimian@gmail.com, g.rothenberg@uva.nl



The sustainability of biofuels is a moot point. Among the assessment criteria, the most important issues are the greenhouse gas (GHG) impact, food security, indirect land use change (ILUC), socio-economic development and energy independence. Regarding the second aspect, there is no clear evidence that the biofuel market threatens the food supply chain. For example, in Europe, the crops for biofuels, mostly biodiesel, use only 1% of the agricultural land.<sup>5</sup> Moreover, reducing GHG with respect to fossil fuels is considered by most analysts as the key factor for sustainability. The GHG assessment performed by national and international agencies follows at present the well-to-wheel LCA procedures. The model usually includes emissions from feedstock cultivation (fuels and fertilizers), transportation, and the fuel production process.<sup>5–7</sup> Results typically depend on the local conditions. For biodiesel, the GHG reduction varies between 30 and 90% (excluding ILUC).<sup>8</sup> The upper level is attributed to waste and non-edible oils, the mid level to efficient energy crops, while the low level refers to some crops issued from non-sustainable farming. The most ambitious sustainability targets are applied in Europe following the Renewable Energy Directive (RED).<sup>6</sup> The GHG threshold in 2015 for biofuels was set at 35% with respect to the reference value of 83.8 g of CO<sub>2</sub>-eq MJ<sup>-1</sup>, which should increase to 50% in 2017 and 60% in 2018. In USA, the EPA-RFS2 regulation sets the GHG reduction target at 20% for conventional renewable fuels, and at 50% for advanced renewable fuels.<sup>9</sup> These rules shall stimulate the progress in technology and the advent of new sustainable feedstock sources.

Note that sustainable biodiesel requires less GHG from the manufacturing process too. Adopting the technology of heterogeneous catalysis, which offers substantial savings in equipment, energy, and materials, can greatly help in achieving this goal. Another step forward would be extending this approach to small (mobile) and medium-capacity plants *via* a new reactor technology, as we propose here.

Biodiesel production by homogeneous catalysis and batch processes dominates today's market. It uses a relatively simple technology, easily adaptable to different feedstocks, and suitable for small and medium-capacity plants. Among recent progress in technology, the most potent has been the employment of solid base catalysis.<sup>10</sup> This can reduce substantially both the capital and operation costs, delivering high-purity glycerol as a bonus. The French company AXENS developed the Esterfip™ process based on a zinc aluminate catalyst.<sup>11–13</sup> The preferred feedstock is vegetable oil with low free fatty acid (FFA) and water contents. This process was implemented in large-scale plants in France, Malaysia, Sweden and the US. Six plants were built up to 2012 with a total capacity topping 1.2 Mtpa. These plants use fixed-bed adiabatic tower reactors with the catalyst split into two sections, and provided with devices for ensuring a homogeneous mixture and plug-flow profile.<sup>13</sup> The design and operation of such reactors is constrained by the nature and the quality of the feedstock. Catalyst robustness is a key issue here, since the process uses large amounts of catalyst. A long time-on-stream is needed, preferably over

six months. Furthermore, compensation of the catalyst deactivation by raising the temperature is limited, due to the risk of glycerol decomposition.

Thus, the challenge of the catalytic process is dealing with diverse industrial-grade feeds and converting them efficiently into a product following strict quality specifications, as defined by EN14212 and ASTM D6751. In 2006, our group published the first example of biodiesel synthesis from FFA using heterogeneous catalysis,<sup>14</sup> extending this later to various feeds and process options.<sup>15,16</sup> Here we present a solid catalyst process combined with an innovative reactor design that offers flexible reaction times and easy catalyst change upon deactivation. Importantly, this system is modular, and therefore suited for smaller scale and mobile production plants. This makes it compatible with the requirements of the biorefinery concept, as it can valorise locally available resources with low investment and operation costs.

### Solid catalyst technology

The manufacturing of biodiesel by heterogeneous catalysis has major economic benefits compared to the traditional homogeneous catalysis. As shown in Fig. 1, the main reason is the suppression of operations generating large amounts of wastewater (except during feedstock pretreatment), namely the catalyst removal by acid/base neutralisation reactions, washing of FAME and glycerol, as well as methanol recovery by distillation of aqueous solutions. There is no salt waste, and catalyst consumption drops dramatically. In the homogeneous process, glycerol has a maximum purity of 85% after expensive separations, while the heterogeneous process delivers glycerol that is >98% pure, a valuable product. In addition, the continuous operation is intrinsically more efficient than batchwise.<sup>17</sup>

Heterogeneous catalysis may be applied both to low and to high FFA oils. In the latter case, preliminary esterification with methanol is necessary, which can be performed by employing a solid acid catalyst, such as Amberlyst-type ion-exchange resins.<sup>3,17</sup> The small amounts of water formed can be removed simply by adsorption. Higher FFA lipids, such as

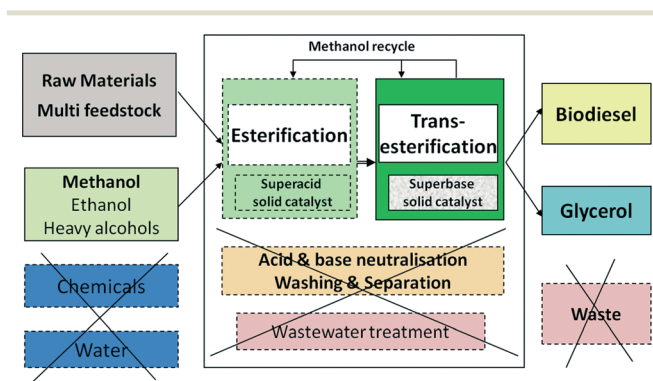


Fig. 1 The advantage of biodiesel manufacturing by a heterogeneous base catalyst.





abundant low-cost catalyst.<sup>10,35</sup> Among the latest developments, one can cite the double-metal cyanide Fe–Zn catalyst developed by the Indian Pune Laboratory,<sup>36</sup> which proved to be successful both for the esterification and transesterification of oils containing a significant amount of FFA. A process using this catalyst was implemented as the ENSEL® process<sup>37</sup> by the American company Benefuel. Despite abundant research, the literature study indicates that the synthesis of an efficient and robust solid catalyst for the transesterification of TAG remains a considerable challenge.

## Experimental: a miniplant for biodiesel manufacturing

When dealing with solid catalysts for liquid-phase reactions, batch micro-reactors are used in most academic research studies for preliminary investigation. The catalyst is usually employed as powder. This method focuses on chemistry by eliminating mass and heat transfer resistances. The time evolution of concentrations in a batch reactor mimics the concentration profiles along the length of an ideal plug flow reactor (PFR). However, batch experiments are not sufficient for industrial application. The investigation should use an experimental device offering hydrodynamic similarity close to the industrial implementation. Accordingly, the pellet size should be adapted to the internal and external mass and heat transfer. Appendix 1 presents a simple method for designing a laboratory PFR by employing similarity principles. It is important to note that the scale-down in terms of the diameter and length is very different. Typically the diameter ratio could be over 100 : 1, while the length ratio only up to 10 : 1.

With these elements in mind, we designed and built a miniplant for manufacturing commercial grade biodiesel by heterogeneous catalysis (see schematic in Fig. 3). The chemical reactor is a spiral coil from SS 316 of ID 6 mm and OD 9 mm, with lengths of 2.4 and 3.6 m, filled with 0.8 mm catalysts. A 1 m silica gel pre-column is used for feed drying. The reactor is hosted in an electrical oven (Heraeus; Germany) with an internal size of 60 × 55 × 55 cm. The electronically regulated temperature can rise up to 250 °C. Oil and methanol are fed through metering membrane pumps (LEWA; Germany) with a maximum flow rate of 250 ml h<sup>-1</sup> and a pres-

sure of 50 bar. The oil/methanol mixture is preheated and homogenised before the reaction by passing it through a static mixer. A central element of the plant is the backpressure device, which has to ensure a single liquid phase well below the saturation point (bubble point). For this reason, the pressure is set at a minimum 5 bar higher than the methanol vapour pressure, namely in the range of 35–50 bar, corresponding to reaction temperatures from 180–210 °C. The above set-up is capable of ensuring a variable reaction time, in general an LHSV of 0.5–2 h<sup>-1</sup>, by connecting several reaction coils in series, or by adjusting the feeds of reactants. Flushing the reactor with a methanol flow is used both for starting-up and shutting down the plant.

The analytical equipment was a Thermo Science GC apparatus with a PVT/SSL backflush injector and an FID equipped with a Restek-Stabilwax column, which allowed accurate identification of methyl esters from C14 to C22. In view of GC analysis, pure C14 was added in the feed as 10 vol% with respect to oil.

The above described miniplant was used for investigating potential industrial feedstocks. Pretreated feedstocks, such as rapeseed, jatropha and frying fat, were supplied graciously by the biodiesel producer Solarix B.V. Amsterdam, while sunflower, soya, and peanut were commercial vegetable oils. To prevent any influence of the impurities on the kinetic behaviour, the feedstock was additionally cleaned by treatment with a 40 wt% phosphoric acid solution, neutralised, decanted, washed with distilled water and dried under vacuum. The experiments reported here employed a MgAl hydrotalcite catalyst supplied by Eurosupport B.V. Netherlands as cylindrical pellets of 1.5 × 3 mm. The catalyst was crushed, sieved and flushed with nitrogen to get a uniform size of 0.8 mm free of fines. The hydrotalcite catalysts have, as a remarkable feature, a layered-type arrangement, which is advantageous for the internal diffusion of bulky TAG molecules, as well as for the extraction of the reaction products. The catalyst structure was characterised by employing a Thermo Fischer Scientific mercury porosimeter, and is reported elsewhere.<sup>38</sup> The key results are: a bulk density of 1.04 g cm<sup>-3</sup>, a void volume of 680 mm<sup>3</sup> g<sup>-1</sup>, an accessible porosity of 58%, an internal area of 90 m<sup>2</sup> g<sup>-1</sup>, an average pore diameter of 25 nm, a median pore diameter of 63 nm, and a maximum pore diameter of

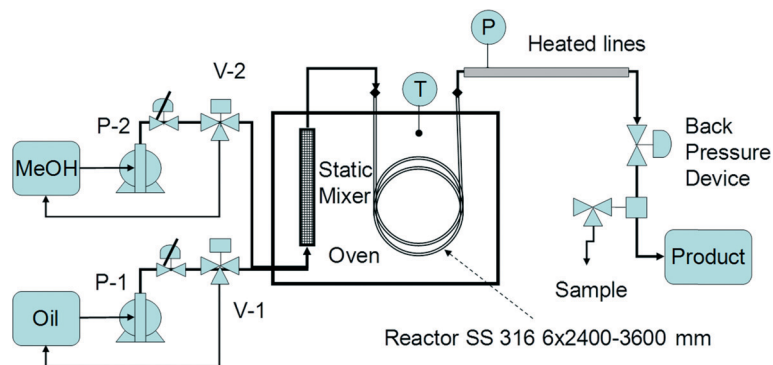


Fig. 3 Schematic of a miniplant for continuous biodiesel manufacturing by heterogeneous catalysis.



275 nm. For comparison, a catalyst used in the Esterfip process<sup>25</sup> had a specific surface area of 160 m<sup>2</sup> g<sup>-1</sup> and mesopores ranging between 9 and 100 nm. The availability of very large pores favours the internal diffusion of the bulky TAG molecules, and supports complex surface reactions for converting TAG to FAME. In addition, the talcite catalysts can be produced from low-cost clay materials. The regeneration can take place by simple calcination at temperatures between 500 and 600 °C. The waste catalyst is a nontoxic material that can be used as a construction filler.

Fig. 4 shows the TAG conversion over a 24 h TOS in a reactor of 3600 mm length filled with 103 ml of catalyst at 190 °C and 37 bar using rapeseed oil as feed. The methanol/oil ratio is 0.55, with a combined feed of 175 ml h<sup>-1</sup>. It results in an LHSV of 1.72 h<sup>-1</sup>, or a residence time of 35 min, with a fictive velocity of 1.7 mm s<sup>-1</sup>. The conversion is practically constant around 68% indicating unchanging catalyst activity. After methanol evaporation and glycerol decantation, the transesterification can be continued in a second stage, where the conversion can be pushed to >90%, and then in a third run to over >98%. By decreasing the LHSV to about 1 h<sup>-1</sup>, the conversion in the first run can rise to about 90%, requiring only two transesterification stages. The catalyst activity remains nearly constant over several days with runs of 10 hours, the reactor being flushed at shut-down with methanol for a minimum of twice the residence time. However, at a longer operation time, the activity declines slowly. The catalyst can be regenerated by simple calcination in an electrical oven at 550 °C, recovering at least 90% of its activity. This behaviour in terms of activity and stability is close to the results reported recently with a hydrotalcite catalyst in a fixed-bed reactor over 55 h TOS.<sup>39</sup>

## Results and discussion

### The influence of feedstock on the reactor performance

The feedstock for biodiesel shows a large compositional variation. Table 1 illustrates a typical oil composition expressed

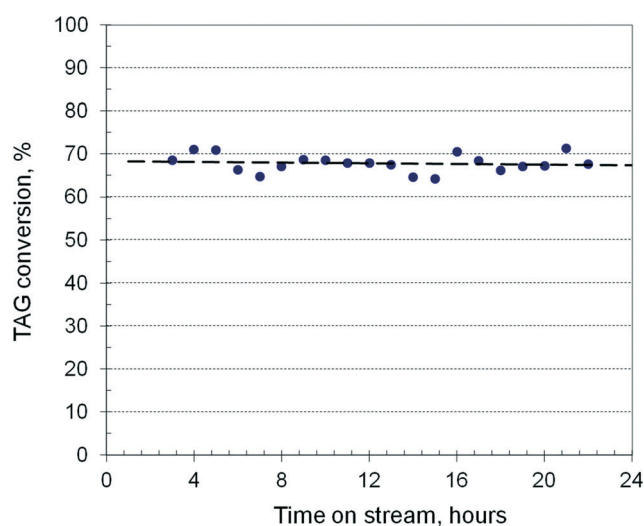


Fig. 4 Continuous transesterification run in a laboratory fixed-bed reactor.

Table 1 Typical composition of triglyceride oil feedstock for biodiesel

Feedstock type	Fatty acid type composition (% weight)						R
	C16:0	C18:0	C20+	C18:1	C18:2	C18:3	
Palm kernel oil	80	6	0	12	2	0	0.16
Frying fat	50	7	0	35	8	0	0.75
Pork tallow	10	41	0	42	3	4	0.96
Jatropha	22	6	1	22	48	1	2.45
Peanut oil	10	4	5	40	41	0	4.26
Soya oil	10	4	0	25	51	10	6.14
Rapeseed	4	3	0	65	20	8	13.29

as the amounts of saturated and non-saturated fatty acids. The data for jatropha correspond to South American crops.<sup>40</sup> As indicated, saturated C16 and C18 fatty acids dominate in palm kernel oil, tallow and frying fats. Rapeseed is richer in mono-unsaturated (MUS) oleic acid. Peanut and soya oils have large amounts of poly-unsaturated acids (PUS) such as C18:1 and C18:2, but soya contains also a substantial amount of C18:3. Jatropha oil is richer in C18:2, together with substantial amounts of C16:0 and C18:1. Table 1 displays also the ratio *R* of unsaturated/saturated fatty acids, which varies from 0.16 for palm kernel oil to 13.3 for rapeseed oil. The spatial conformation of triglyceride molecules is very diverse, resulting from the shape of fatty acids. This can evolve from straight chains to more or less squeezed/bent shape molecules. Accordingly, the diffusion properties of triglyceride molecules through porous solid catalysts should be very different too.

As demonstrated in a previous paper,<sup>38</sup> when using a hydrotalcite catalyst, there is a relation between the chemical composition of the feedstock, namely the ratio of saturated to non-saturated fatty acids, and the kinetics of the transesterification reaction, with important consequences for the chemical reactor design. Fig. 5 presents the time-conversion curves of four typical feedstocks: frying fat, soya, peanut and rapeseed oils. The ordinate represents the total ester concentration in GC units. The experiments were conducted in batch mode in a high pressure stirred autoclave of 150 ml, at

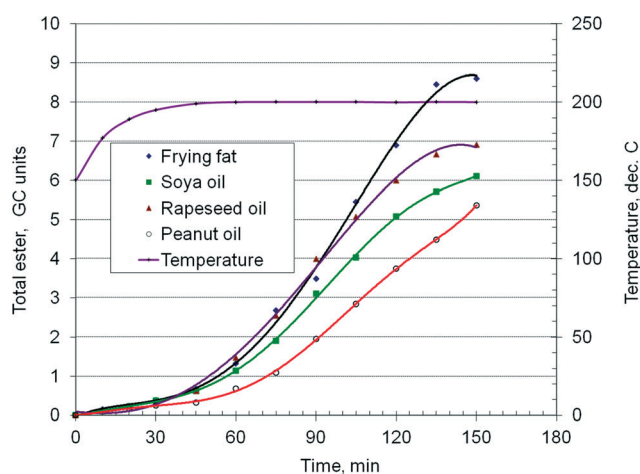


Fig. 5 Comparative experiments in a batch reactor.



190 °C and 40 bar. A typical experiment involves 100 ml of oil, 25 ml of methanol, 10 ml of tetradecane as internal standard and 14 g of catalyst. It can be observed that the kinetic behavior of the oils is notably different. The first 45 minutes is the heating period. The slope of the curves shows that the frying fat exhibits the fastest reaction rate, followed by the rapeseed oil, soybean and peanut oils, with the last one having a somewhat longer sluggish period. If the linear range of the isothermal data is only considered, it gives the relative reaction rate of frying fat/rapeseed/soy/peanut as 1.6/1.26/1.17/1.0. These results suggest that the chemical nature of the feedstock may have an influence on the kinetics of the transesterification reaction. Faster reaction rates should be expected for a higher content of saturated fatty acids, while the opposite should happen for unsaturated oils. Indeed, the behaviour of frying fat ( $R = 0.75$ ) seems to confirm this assumption. However, the rapeseed oil ( $R = 13$ ) reacts somewhat faster than the soy oil ( $R = 6$ ), while the peanut oil ( $R = 4$ ) is the slowest. Table 1 shows that the rapeseed oil has a higher C18:1 oleic TAG content, the soy oil has a higher C18:2 linoleic TAG content, while the peanut oil contains a notable amount of C20+ TAG. These results suggest that there are differences in the kinetics among the unsaturated TAG too.

The above kinetic behaviours may be explained by the steric hindrance effects on pore diffusion, as well as by interactions between the unsaturated bonds and the catalyst surface. The effective diffusion properties of the TAG depend strongly on the chain's shape. Thus, saturated TAG exhibiting "straight" chains, such as palmitic C16:0 and stearic C18:0, should diffuse easier inside the planar multi-layer structure. The *cis*-C18:1 oleic acid chains ( $\Omega$ -9) show a "bent" shape and slower diffusion. The C18:2 linoleic ( $\Omega$ -6) and C18:3  $\alpha$ -linolenic chains ( $\Omega$ -3) show a "hook" shape that is even more likely to give steric hindrance. From the surface reaction viewpoint, the poly-unsaturated chains may be slowed down by the hydrogen-catalyst bonds. Very long C20+ chains could give even slower diffusion by bending the molecule to access the reaction site.

A more accurate description of the kinetic effects was obtained by examining the behaviour of the individual fatty acids. Fig. 6 displays the concentration *vs.* time curves of soya oil transesterification in a batch reactor as described before, by monitoring the formation rate of four groups of esters, namely palmitic plus stearic, oleic, linoleic and linolenic. The methanol/oil ratio was 0.5 w/w or about 15 : 1 mol mol<sup>-1</sup>. Due to a large excess of methanol, first order kinetics can be safely assumed and the following relation applies:

$$k\tau = -\ln(1 - X/X_{\text{eq}}) \quad (1)$$

where  $k$  is the first-order reaction constant,  $\tau$  the reaction time,  $X$  the actual conversion and  $X_{\text{eq}}$  the equilibrium conversion. Theoretically  $k = k_1 + k_{-1}$ , where  $k_1$  and  $k_{-1}$  are the kinetic constants for the forward and backward reactions. Since the equilibrium constant is large, about 50 (see Table 3), one gets  $k \approx k_1$ . Fig. 7 presents the results of a linear regression

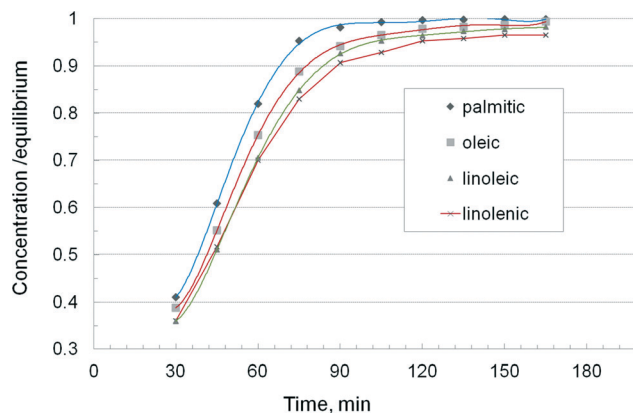


Fig. 6 Kinetics of transesterification for individual triglycerides.

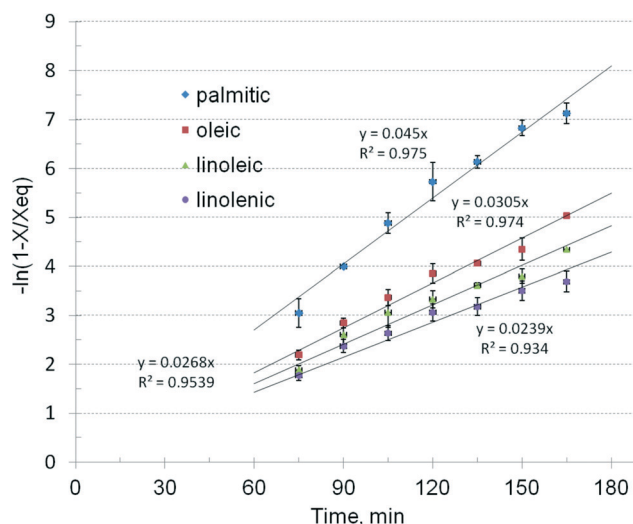


Fig. 7 Linear regression of kinetic data for individual triglycerides.

model of the isothermal data from Fig. 6, namely at times longer than 60 minutes. Table 2 gives the values of the kinetic constants and the mean errors of fitting.

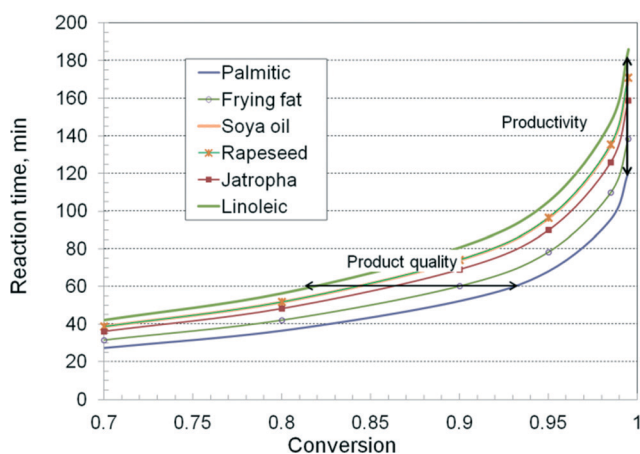
The results show that the catalytic reaction rate of different TAG depends on the type of fatty acid. Saturated chains such as palmitic and stearic TAG exhibit the highest rate. The oleic TAG reacts about 47% slower, showing that the double bond introduces a significant molecular hindering effect. It is followed by linoleic and linolenic TAG, with additional delays. The question arises if these differences in the reaction kinetics may have practical consequences for the design and operation of biodiesel processes, namely when using feedstock with a different TAG profile.

By using the composition given in Table 1 and the kinetic values from Table 2, average first order constants have been calculated, and then the reaction time for a given conversion was reconstructed. Fig. 8 presents the curves for industrially relevant feedstocks, such as rapeseed, soybean, jatropha and frying fat. Two reference curves were also traced for palmitic (C16:0) and linoleic (C18:2) TAG. The results show again a significant difference in the kinetics. Faster runs are obtained



**Table 2** First-order reaction constants of the transesterification of individual triglycerides

	C16:0 & C18:0	C18:1	C18:2	C18:3
$k$ , $\text{min}^{-1}$	$0.045 \pm 0.0023$	$0.0305 \pm 0.0012$	$0.0268 \pm 0.0015$	$0.0239 \pm 0.0014$
$k$ ratio	1	1.47	1.68	1.88

**Fig. 8** Relation between the chemical nature of the feedstock and the reaction kinetics.

with essential saturated oils, such as kern palm oil and coconut oil, while unsaturated oils, such as rapeseed, soybeans and jatropa, show a slower kinetics, dominated by the presence of oleic and linolenic chains. Frying or tallow fats, having a comparable proportion of saturated and unsaturated TAG, show an intermediate kinetics. The differences between the kinetic behaviour widen with increasing conversion. Rapeseed and soya oils show similar kinetics, which can be explained by the compensating effect of more saturated TAG in the latter. Note that the above computations take into account only the key fatty acids, from C16 to C18. The presence of very large TAG molecules, ignored in this study, and of impurities, which might be trapped in the catalyst structure, might add supplementary slow-down effects on the kinetics of the reaction.

The results reveal two important technological aspects. The first one is about the inter-stage separation of glycerol. For the application of the two-stage technology, the TAG conversion in the first step should be around 90%. Fig. 8 indicates that the necessary time is 60 minutes for frying fat, but 75 minutes for the rapeseed oil. After a one hour-run, the conversion for the rapeseed oil would be only 84%, insufficient to get 98.5% in the second stage. A substantial increase of the reaction time, or a third stage, would be necessary. If the reactor has a limited oversizing capacity, this behaviour becomes problematic. The same troubles occur when the catalyst activity declines. The second aspect is related to productivity. Since a very high conversion is needed to follow quality specifications, this is achieved easier with saturated TAG. Again, when the conversion in the first stage is insufficient, a third or a fourth reaction stage is needed, and as a consequence, the productivity drops drastically.

From the above investigation, it is clear that the reactor design for biodiesel manufacturing by heterogeneous catalysis should provide sufficient flexibility both in ensuring an adaptable reaction time to the feedstock type, and for easier catalyst replacement when the activity falls, by leaching or by contamination. This is the subject of the next section.

## An innovative reaction system for catalytic biodiesel manufacturing

Fig. 9 presents the innovative solution we proposed in a patent application.<sup>41</sup> The variable reaction time device consists of a serpentine-type plug flow reactor, assembled as vertical tubular segments filled with a solid catalyst. A switching valve system (not shown) is employed for connecting or bypassing the reaction tubes, as well for easy catalyst replacement. The set-up makes use of static mixers. Heating & cooling elements are provided for mixture conditioning before and after the reaction. Energy saving is obtained by using counter-current coupling, such as feed-effluent heat exchangers (FEHE). A liquid thermal agent (Dowtherm, hot oil, etc.) is used as a heat carrier.

The transesterification takes place in two stages with an intermediate glycerol removal step. The glycerol separator can be a gravity coalescence separator made up of hydrophobic/hydrophilic materials to accelerate the formation of larger drops,<sup>42</sup> or a compact centrifugal device. The final conversion should be higher than 98.5%.

The operation conditions for the hydrotalcite catalyst are a temperature of 180–220 °C, a pressure of 35–70 bar, and an LHSV of 0.5–2  $\text{m}^3 \text{m}^{-3} \text{catalyst h}^{-1}$ . The construction allows adjusting the residence time to the feedstock type and to the catalyst activity by varying the number of the active tubes. Moreover, the scale-up of the plant capacity can be done easily by assembling parallel “reaction boxes”.

Note that the above presented set-up is generic for liquid-phase reactions that need a larger volume, a longer residence time, and making use of a solid catalyst. Double-pipe heat exchangers can ensure effective heat transfer in the zones where this is needed, for re-boosting the chemical reaction.

Another innovative solution makes use of only one-step transesterification in a variable reaction time device coupled with membrane separation, which ensures recycling both triglycerides and methanol. Commercially available ultrafiltration and nanofiltration membranes can easily separate small and large molecules under these conditions.<sup>43</sup> In biodiesel manufacturing, there are significant differences between the molecules both in size and shape, as well as in the hydrophobic/hydrophilic character. For the relative order of magnitude of the molecule sizes, the kinetic diameter is about 0.4 nm





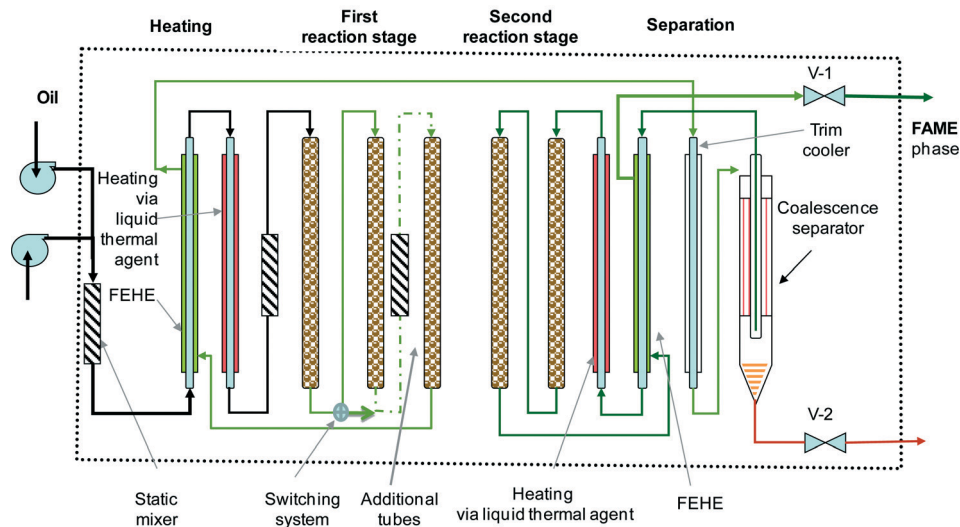


Fig. 9 Compact reaction/separation system using a tubular segmented reactor for biodiesel manufacturing.

for methanol and 0.6 nm for glycerol. The kinetic diameter of fatty acid alkyl esters depends on the length and character of the hydrocarbon chain, and is generally in the range of 0.8 to 1.5 nm. The size of triglyceride molecules is larger by almost an order of magnitude. However, there is another physical phenomenon that can be exploited for separation, as shown in Fig. 10. Under immiscibility conditions, an emulsion can form, in which the TAG molecules surrounded by methanol are segregated in large particles. This possibility was demonstrated experimentally by the transesterification of canola with methanol; oil droplets of 44  $\mu\text{m}$  mean diameter were formed with a size distribution from 12  $\mu\text{m}$  to 400  $\mu\text{m}$ .<sup>44</sup>

Fig. 11 shows the conceptual flowsheet. After transesterification and cooling, the well-dispersed outlet mixture (pumping or static mixing device) is submitted to the first separation stage by microfiltration. The TAG molecules remain in the retentate, while FAME, glycerol and methanol pass through to the permeate. TAG are recycled to the catalytic reactor, a drain being provided to prevent accumulation of unreacted oil and impurities. For this separation, commercial ceramic or carbon membranes are suitable with pores in the range of 0.4 to 1.4  $\mu\text{m}$ .<sup>44</sup> After remixing, the permeate is subjected to a second membrane separation process, this time by ultrafiltration. FAME and glycerol are immiscible,

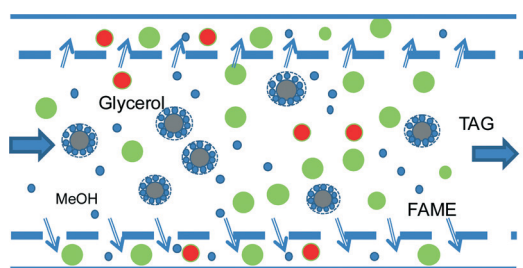


Fig. 10 Separation of triglycerides by membrane microfiltration.

but glycerol and methanol are miscible. In addition, the diffusion of glycerol through the membrane will be hindered by its higher viscosity. As a result, methanol goes in a large majority in the permeate and is recycled to the reaction, while the FAME/glycerol mixture remains in the retentate and is subjected to separation by decantation or centrifugation. This method may be feasible with ceramic membranes with pores of 0.2  $\mu\text{m}$ , in analogy with experiments separating biodiesel, glycerol and ethanol.<sup>45</sup>

As support for the viability of the above approach, we may associate recent research studies regarding membrane reactors for biodiesel working with homogeneous catalysis.<sup>46–48</sup> More information on the process intensification aspects of biodiesel manufacturing can be found in a recent monograph.<sup>49</sup>

Putting in a nutshell, the advantages of this method are:

- More flexibility in the reactor operation. The TAG conversion could be in a wide range between 70 and 90%, while high recovery of TAG and methanol in recycles is not required. This time the quality of biodiesel is decided in the separation section, not in the reaction steps, as previously described.
- Important energy savings can be obtained by recycling most of the methanol in the liquid phase and not by distillation. Only a limited amount of methanol carried with FAME and glycerol need to be recovered by distillation. Conversely, a larger methanol/oil ratio could be employed for boosting the transesterification by internal recycling.
- The problem of soap formation, with a very negative effect on the operation costs,<sup>50</sup> can have an efficient solution.
- Better specifications of the end-products are obtained.
- The pressure differences that drive the membrane process are available from the initial stream pressure.
- The design and operation parameters can be optimised on a wide scale as a function of the reaction parameters and membrane characteristics.



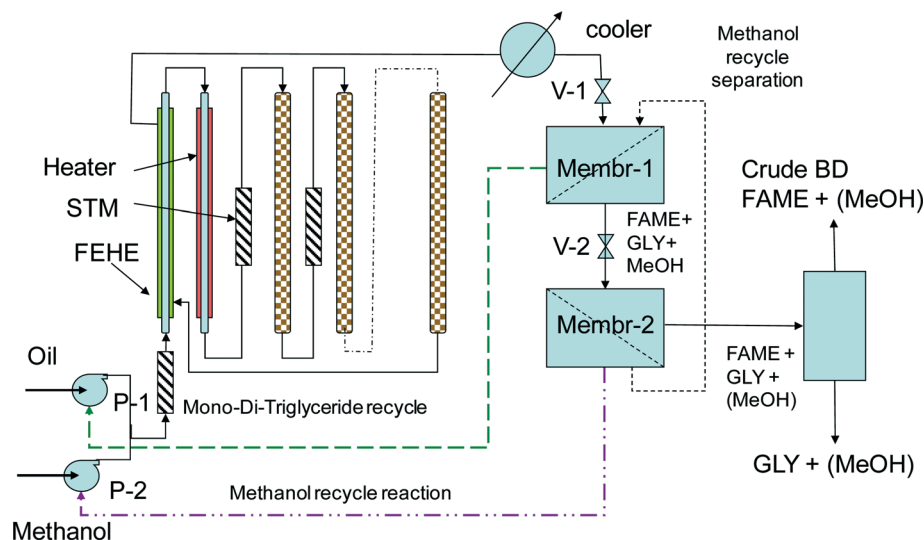


Fig. 11 Single-stage reaction using a tubular segmented reactor and membrane separation for biodiesel manufacturing.

As an example, we present a comparative design of a chemical reaction system with an intermediate glycerol separation step for the Esterfip process employing a  $\text{ZnAl}_2\text{O}_4$  catalyst. Table 3 shows the kinetic data adapted from Allain *et al.*<sup>26</sup> considering an overall efficiency of 0.25 that is multiplied to the pre-exponential factors of the original rate equations. This is necessary since the industrial reactors employed extrudates of 3.0 mm while the lab reactor was filled with grains of 0.4 mm. Glycerol is completely removed after the first reaction step and no supplementary MeOH is added in the second stage. The final product is free from methanol and glycerol.

A Matlab® simulation using a pseudo-homogeneous concentration-based model was constructed. The key assumptions are:

- 1) Plug-flow profile, no maldistribution of the reaction mixture and no radial dispersion due to a suitable hydraulic design and upward flow;<sup>13</sup>
- 2) Negligible external resistance to diffusion due to fast mass transfer compared with internal diffusion and reaction due to long residence time;
- 3) Negligible temperature gradients due to small heat of reaction;
- 4) Internal diffusion of the TAG and FAME molecules is a rate controlling process *via* the overall efficiency mentioned earlier.

These assumptions are supported by a comprehensive 2D simulation model of an industrial reactor.<sup>51</sup> The key role of the internal diffusion on the kinetics is emphasized by the

present study too. Thus this model allows getting useful insights into the catalytic reactor technology, such as the relation between the residence time, catalyst activity and final product specifications.

Following the EN14214 minimum specifications, the contents are as follows: ester content 96.5%, triglycerides TAG 0.2%, diglycerides DAG 0.2%, and monoglycerides MAG 0.7%. The reactors are identical with a diameter and length of 2.4 and 16 m, respectively, with a volume of 72.35 m<sup>3</sup> each. The feed consists of 300 kmol h<sup>-1</sup> methanol and 25 kmol h<sup>-1</sup> trioleine, which gives a combined feed of 31 745 kg h<sup>-1</sup>, at a molar ratio of 12 or 0.434 weight ratio. The temperature is set constant at 190 °C. If a mean density of 600 kg m<sup>-3</sup> is considered, it gives an LHSV of 0.73 m<sup>3</sup> m<sup>-3</sup> catalyst h<sup>-1</sup>. The mean fluid linear velocity in the reactor is around 3.25 mm s<sup>-1</sup>, which should ensure a plug flow profile and an acceptable mass transfer rate.

Fig. 12 illustrates the dependence of reactor conversion as a function of catalyst activity, as well as the evolution of product specifications. In the base-case, the final product rate is 22 260 kg h<sup>-1</sup> and accordingly the productivity over the two reactors is 153.85 kg m<sup>-3</sup> h<sup>-1</sup> or 3692 kg m<sup>-3</sup> per day. The conversion in the first reactor should be over 88% to ensure an in-specs final product. If it drops below 80%, then the product is off-specs. Since the reactor volume is fixed, restoring the specifications can be done only by raising the temperature, for example from 190–205 °C when the activity falls to 0.6, or by reducing proportionally the throughput. The rise of the reaction temperature is technologically constrained to

Table 3 Kinetic data for sizing of the catalytic reactor (adapted from Allain *et al.*<sup>16</sup>)

	Reaction	$k_0$ , m <sup>6</sup> kg of cat kmol <sup>-1</sup> s <sup>-1</sup>	$E_a$ , kJ kmol <sup>-1</sup>	$K_{eq}$
1	TAG + MeOH ↔ DAG + FAME	$3.15 \times 10$	64 600	51.2
2	DAG + MeOH ↔ MAG + FAME	$2.22 \times 10^{-3}$	31 800	53.1
3	MAG + MeOH ↔ GLY + FAME	$3.18 \times 10^{-5}$	17 000	12.2



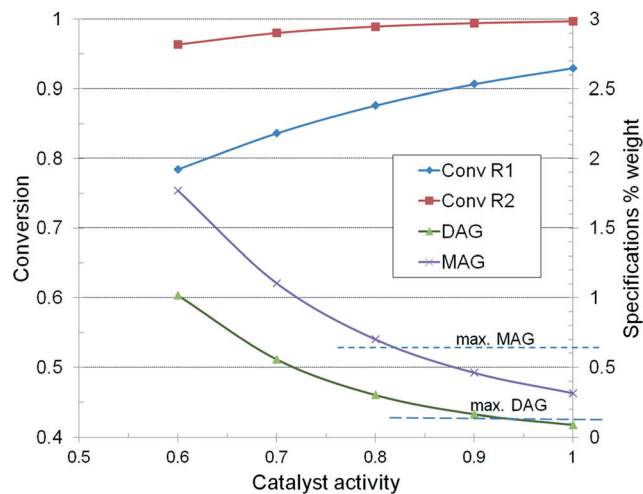


Fig. 12 Reactor conversion and specifications plotted vs. catalyst activity.

15–20 °C, which implies more energy consumption. Changing an exhausted catalyst needs plant shut-down and throwing away the whole load.

But when a serpentine-type reactor is employed, additional tubes can be connected to compensate the fall in catalyst activity. By monitoring the activity at selected locations, it is possible to replace only the catalyst that really needs it.

The scale-up of the production rate can be simply achieved by a modular design. Moreover, when using tubes, smaller-sized catalysts can be employed, with the effect of increasing the reaction rate. For example, the pellet size can be reduced from 3 mm to 1 mm, which can double the reaction rate, as predicted by efficiency calculations using a pseudo-first reaction and Thiele modulus. Thus a productivity of 300 kg m<sup>-3</sup> h<sup>-1</sup> or 7200 kg m<sup>-3</sup> per day can be achieved. The individual reactor volume for the same production can be reduced from 72.35 to about 40 m<sup>3</sup>. This volume can be hosted in a reaction box comprising 8 modules of 5 m<sup>3</sup>, each consisting of eight tubes of 0.5 m diameter and 3.2 m length. It can be seen that this reactor design has much more favorable conditions for operation, such as flexibility in feed and catalyst replacement.

The compact reaction/separation system described above is particularly interesting for designing mobile biodiesel plants. The hardware is split in sections, such as reaction, glycerol separation, methanol recovery, energy recovery, hot oil utility and catalyst maintenance. The production parts can be mounted on containers, which can be moved by trucks at the manufacturing locations. The storage tanks for raw materials, intermediates and products, implying large volumes and substantial investment, should remain on the field. The deactivated catalyst can be recharged locally with ready-to-use tubes. This solution is convenient from the viewpoint of seasonal harvesting too. As an example, a device composed of two-stage reaction boxes – each one built from four serpentine with 15 tubes of 0.25 m ID and 2.5 m length and loaded with 14.7 m<sup>3</sup> of a highly productive catalyst of 300 kg m<sup>-3</sup> h<sup>-1</sup> – could deliver about 100 tpd of biodiesel.

## Conclusions

The manufacturing of biodiesel by a solid base catalyst emerged as an advanced sustainable technology. Besides considerable reduction in the capital and operation costs, pure glycerol is attained as a valuable by-product. The classical chemical reactor for such a process is a tall fixed-bed large volume tower, whose design and operation is constrained by the influence of the feedstock on the reaction kinetics, as well as by the catalyst deactivation.

An experimental study performed in a batch reactor and in a continuous micro-plant with several types of oils – rapeseed, jatropha, frying fat, soya, peanut – demonstrates that there are kinetic effects related to the feedstock nature. The catalyst was of hydrotalcite-type, which presents a layered structure favouring an easier diffusion of large molecules. Kinetic constants of individual fatty acid triglycerides were evaluated for saturated (palmitic and stearic) and unsaturated (oleic, linoleic and linolenic) TAG. Saturated triglycerides have a much faster reaction rate than their unsaturated counterparts. The explanation lies in the fact that the internal diffusion is slowed down by both steric and chemical bonding effects related to the chemical character of TAG molecules comprising the feedstock. It is worthy to note that recent papers published by French researchers using the Esterip-type catalyst had arrived at the conclusion that the internal diffusion of triglycerides is an important factor limiting the global conversion.<sup>26,51</sup>

A continuous micro-plant was built in view of an industrial process development. A laboratory reactor has been designed to follow the key similarity criteria with an industrial reactor. The scale-down is very different in terms of the diameter and length. The lab reactor should be sufficiently long in order to ensure the same residence time, while keeping a suitable fluid velocity that preserves similar mass and heat transfer of the particle/fluid. Since the fluid velocity drops significantly in the lab device, size reduction of the pellets may be necessary too. The operation of the micro-plant with various raw materials demonstrated the ability of the hydrotalcite catalyst to handle various raw materials and produce quality biodiesel in a two-stage run with an LHSV of about 1 h<sup>-1</sup>.

The experience acquired inspired the design of an innovative set-up employing a solid catalyst that solves two shortcomings of tower-type reactors: variable reaction time and easy catalyst change. The device consists of a serpentine-type plug flow reactor, assembled as vertical tubular segments filled with catalysts. A switching valve system is used for connecting or bypassing the reaction tubes, and for catalyst replacement. The residence time can be adapted to the feedstock type and catalyst activity by varying the number of the active tubes. Moreover, the scale-up of the capacity can be done easily by assembling parallel “reaction boxes”. Another valuable advantage is the significant increase in the reaction rate that can be obtained by using smaller catalyst pellets and better mass transfer conditions. Further compactness



could be obtained in just one reaction stage by using a membrane device for separation and recycling unreacted triglycerides and methanol.

The above solutions can be particularly interesting for building-up mobile biodiesel plants. The hardware module comprises reaction, glycerol separation, methanol recovery, and hot oil utility parts on containers all movable to the production location. This concept is suitable for biorefineries that above all should valorise local resources.

## Appendix: design of a laboratory catalytic PFR device

The similarity condition regarding conversion and yield is the equality of liquid hourly space velocities, or of the residence times, in the industrial and experimental reactors. This is represented as  $LHSV_1 = LHSV_2$ , or:

$$\frac{Q_{v1}}{(\pi/4)D_1^2L_1} = \frac{Q_{v2}}{(\pi/4)D_2^2L_2} \quad (\text{A-1})$$

where  $Q_v$ ,  $D$  and  $L$  are the volumetric flow, reactor diameter and length, respectively. It follows that the scale-down of the volumetric flow rates should respect the rule:

$$\frac{Q_{v2}}{Q_{v1}} = \left(\frac{D_2}{D_1}\right)^2 \left(\frac{L_2}{L_1}\right) \quad (\text{A-2})$$

Accordingly, the scale-down of the fluid velocity is:

$$\frac{w_2}{w_1} = \frac{L_2}{L_1} \quad (\text{A-3})$$

Typically,  $D_1/D_2$  is over 100, while  $L_1/L_2$  is below 10, and as a result, the fluid velocity could drop significantly in the lab reactor leading to low mass and heat transfer coefficients for the catalyst/fluid. To compensate this effect, reducing the pellet size is necessary. Let us consider the mass transfer. This can be described by a Froessling type equation, such as  $Sh = 2 + Re_p^\alpha Sc^\beta$ , where the Sherwood number is  $Sh = k_m d_p / D_A$ , the Reynolds particle number is  $Re_p = w d_p / \nu$ , and the Schmidt number is  $Sc = \nu / D_A$ . The notations signify the following:  $k_m$ , the mass transfer coefficient (m/s);  $d_p$ , the pellet equivalent diameter;  $D_A$ , the external diffusion coefficient of species A; and  $\nu$ , the fluid kinematic viscosity. It results into the following relation, which can be used for estimating the effect of the fluid velocity and the particle diameter on the rate of mass transfer:

$$k_m = Cw^\alpha d_p^{\alpha-1} \cong C(w/d_p)^{0.5} \quad (\text{A-4})$$

with  $\alpha \approx 0.5$  (usually). A similar equation can be obtained for the partial heat transfer coefficient of the catalyst/fluid. Eqn (A-2)–(A-4) can be used as a shortcut method for designing a laboratory fixed-bed tubular reactor that approximates a large-scale fixed bed reactor.

As a numerical example, we take the above industrial catalytic reactor. The production rate is 150 000 tpy for 8000

hours of continuous operation. The LHSV is  $0.7 \text{ h}^{-1}$ , while the methanol/oil feed ratio is 0.5. The yield of TAG to FAME is 90%. The industrial catalyst consists of pellets of 3 mm equivalent diameter. For the laboratory reactor, a tube of 6 mm ID is selected. The ratio of diameters is  $D_1/D_2 = 220/6 = 400$ . Assuming a fictive fluid velocity of  $1 \text{ mm s}^{-1}$ , a tube length of 5.14 m would ensure the same LHSV as in the industrial reactor. The length ratio becomes  $L_1/L_2 = 16.5/5.14 = 3.2$ . The similarity of mass and heat conditions can be fulfilled if the pellet size is reduced to 0.94 mm. The combined oil and methanol flow for the laboratory reactor would be about 100 ml  $\text{h}^{-1}$ .

## Acknowledgements

This work is part of the Sustainable Chemistry Research Priority Area of the UvA, <http://suschem.uva.nl>.

## References

- Z. Strassberger, S. Tanase and G. Rothenberg, *RSC Adv.*, 2014, 4, 25310–25318.
- R. Beerthuis, G. Rothenberg and N. R. Shiju, *Green Chem.*, 2015, 17, 1341–1361.
- J. van Gerpen and G. Knothe, *Basics of transesterification reaction, in The biodiesel handbook*, 2005, AOCS Press.
- C. Perego and M. Ricci, *Catal. Sci. Technol.*, 2012, 2, 1776–1786.
- REN21, *Renewable 2015 Global status report*, Available at <http://www.ren21.net>, Last accessed 5 April 2016.
- European Biofuels Technology Platform (EBTP), Factsheets. Available at <http://www.biofuelstp.eu>. Last accessed 5 April 2015.
- A. Azapagic and H. Stichnote, Life cycle sustainability assessment of biofuels, in *Handbook of biofuels production*, Woodhead Publ., UK, 2011.
- Wikipedia, Environmental impact of biodiesel. Available at <https://en.wikipedia.org>. Last accessed 4 April 2016.
- US EPA, *Final renewable fuels standards for 2014 to 2017*, Available at <https://www.epa.gov>, Last accessed 5 April 2016.
- A. F. Lee and K. Wilson, *Catal. Today*, 2014, 242, 3–18.
- L. Bournay, G. Hillion, P. Boucot, J. Chodorge, C. Bronner and A. Forestiere, *U.S. Pat.*, 6878837, 2005.
- L. Bournay, D. Casanave, B. Delfort, G. Hillion and J. A. Chodorge, *Catal. Today*, 2005, 106, 109–115.
- M. Bloch, L. Bournay, D. Casanave, J. A. Chodorge, V. Coupard, G. Hillion and D. Lorne, *Oil & Gas Science and Technology – Rev. IFP*, 2008, 63, 405–417.
- A. A. Kiss, A. C. Dimian and G. Rothenberg, *Adv. Synth. Catal.*, 2006, 348, 75–81.
- A. A. Kiss, F. Omota, A. C. Dimian and G. Rothenberg, *Top. Catal.*, 2006, 40, 141–150.
- A. A. Kiss, A. C. Dimian and G. Rothenberg, *Energy & Fuels*, 2008, 22, 598–604.
- A. C. Dimian and S. Bildea, *Biodiesel Manufacturing, in Computer-Aided Design Case Studies*, Wiley, 2008.
- F. Omota, A. C. Dimian and A. Blied, *Chem. Eng. Sci.*, 2003, 58, 3175–3185.



- 19 A. C. Dimian, G. Rothenberg and R. Schut, *Internal report Yellowdiesel B.V.*, The Netherlands, 2010.
- 20 A. C. Dimian, *Integrated Design and Simulation of Chemical Processes*, Elsevier, 2003, CACE-13.
- 21 A. West, D. Posarac and N. Ellis, *Bioresour. Technol.*, 2008, **99**, 6587–6601.
- 22 R. Stern, G. Hillion and J. J. Rouxel, *US Pat.*, 5908946, 1999.
- 23 G. Hillion, S. Laporq, D. LePenne and B. Delfort, *US Pat.*, 0234448, 2004; see also *US Pat.*, 2005/0113588A1.
- 24 D. Bazer-Bachi, V. Coupard, S. Maury, V. Pugnet, I. Clemencon and A. A. Quoineaud, *US pat.*, 0092730 A1 2011.
- 25 V. Pugnet, S. Maury, V. Coupard, A. Dandeu, A. Quoineaud, J. L. Bonneau and D. Tichit, *Appl. Catal.*, 2010, **374**, 71–78.
- 26 F. Allain, J. F. Portha, E. Girot, L. Falk, A. Dandeu and V. Coupard, *Chem. Eng. J.*, 2016, **283**, 6833–6845.
- 27 M. Di Serio, R. Tesser, L. Pengmei and E. Santacesaria, *Energy Fuels*, 2008, **22**, 207–217.
- 28 Y. C. Sharma, B. Singh and J. Korstad, *Fuel*, 2011, **90**, 1309–1324.
- 29 A. F. Lee, J. A. Bennett, J. C. Manayil and K. Wilson, *Chem. Soc. Rev.*, 2014, **43**, 7887.
- 30 D. G. Cantrell, L. J. Gillie, A. F. Lee and K. Wilson, *Appl. Catal.*, A, 2005, **287**, 183.
- 31 N. Barakos, S. Pasiyas and N. Papayannakos, *Bioresour. Technol.*, 2008, **99**, 5037–5042.
- 32 G. S. Macala, A. W. Robertson, C. L. Johnson, Z. B. Day, R. S. Lewis, M. White, A. V. Iretskii and P. C. Ford, *Catal. Lett.*, 2008, **122**, 205–209.
- 33 C. M. Silva, N. F. P. Ribeiro, M. Souza and D. Aranda, *Fuel Process. Technol.*, 2010, **91**, 205–210.
- 34 M. Di Serio, S. Mallardo, G. Carotenuto, R. Tesser and E. Santacesaria, *Catal. Today*, 2012, **54–58**.
- 35 K. Wilson, C. Hardacre, A. F. Lee, J. Montero and L. Shellard, *Green Chem.*, 2008, **10**, 654–659.
- 36 P. S. Sreeprasanth, R. Srivastava, D. Srinivas and P. Rattnassamy, *Appl. Catal.*, A, 2006, **314**, 148–159.
- 37 D. Srinivas and P. Rattnassamy, *US Pat.*, 8124801, 2012.
- 38 A. C. Dimian, Z. Srokol, M. Mittelmeijer and G. Rothenberg, *Top. Catal.*, 2010, **53**, 1197–1201.
- 39 P. Kutálek, L. Čapek, L. Smoláková and D. Kubička, *Fuel Process. Technol.*, 2014, **122**, 176–181.
- 40 N. Tapanes, D. A. G. Aranda, J. de Mosquito Carneiro and O. Ceva Antunes, *Fuel*, 2008, **87**, 2286–2295.
- 41 A. C. Dimian, G. Rothenberg and R. Schut, *Euro Pat.*, EP 2457648 A1/WO 2012072574 A1, 2012.
- 42 V. Jordan and B. Gutsche, *Chemosphere*, 2001, **43**, 99–105.
- 43 A. V. Gaikwad, V. Boffa, J. E. ten Elshof and G. Rothenberg, *Angew. Chem., Int. Ed.*, 2008, **47**, 5407–5410.
- 44 P. Cao, Y. André, M. A. Dubé, A. Y. Tremblay and M. Katie, *Ind. Eng. Chem. Res.*, 2007, **46**, 52–58.
- 45 M. C. Sérgio Gomes, N. C. Pereira and S. T. Davantel de Barros, *J. Membr. Sci.*, 2010, **352**, 271–276.
- 46 P. Cao, M. A. Dubé and Y. T. André, *Biomass Bioenergy*, 2008, **32**, 1028–1036.
- 47 P. Cao, M. A. Dubé and A. Y. Tremblay, *Fuel*, 2008, **87**, 825–833.
- 48 M. A. Dubé, A. Y. Tremblay and J. Liu, *Bioresour. Technol.*, 2007, **98**, 639–647.
- 49 A. A. Kiss, *Process intensification technologies for biodiesel production*, Springer Briefs in Applied Sciences and Technology, 2014.
- 50 I. M. Atadashi, M. K. Aroua and A. Abdul Aziz, *Renewable Energy*, 2011, **36**, 437–443.
- 51 J. F. Portha, F. Allain, V. Coupard, A. Dandeu, E. Girot, E. Schaer and L. Falk, *Chem. Eng. J.*, 2012, **207–208**, 285–298.

