

V RING SEAL

SPINDLE SEAL

VERTICAL RUNOUT
ADJUSTMENT SCREWS

TELESCOPIC SEAL

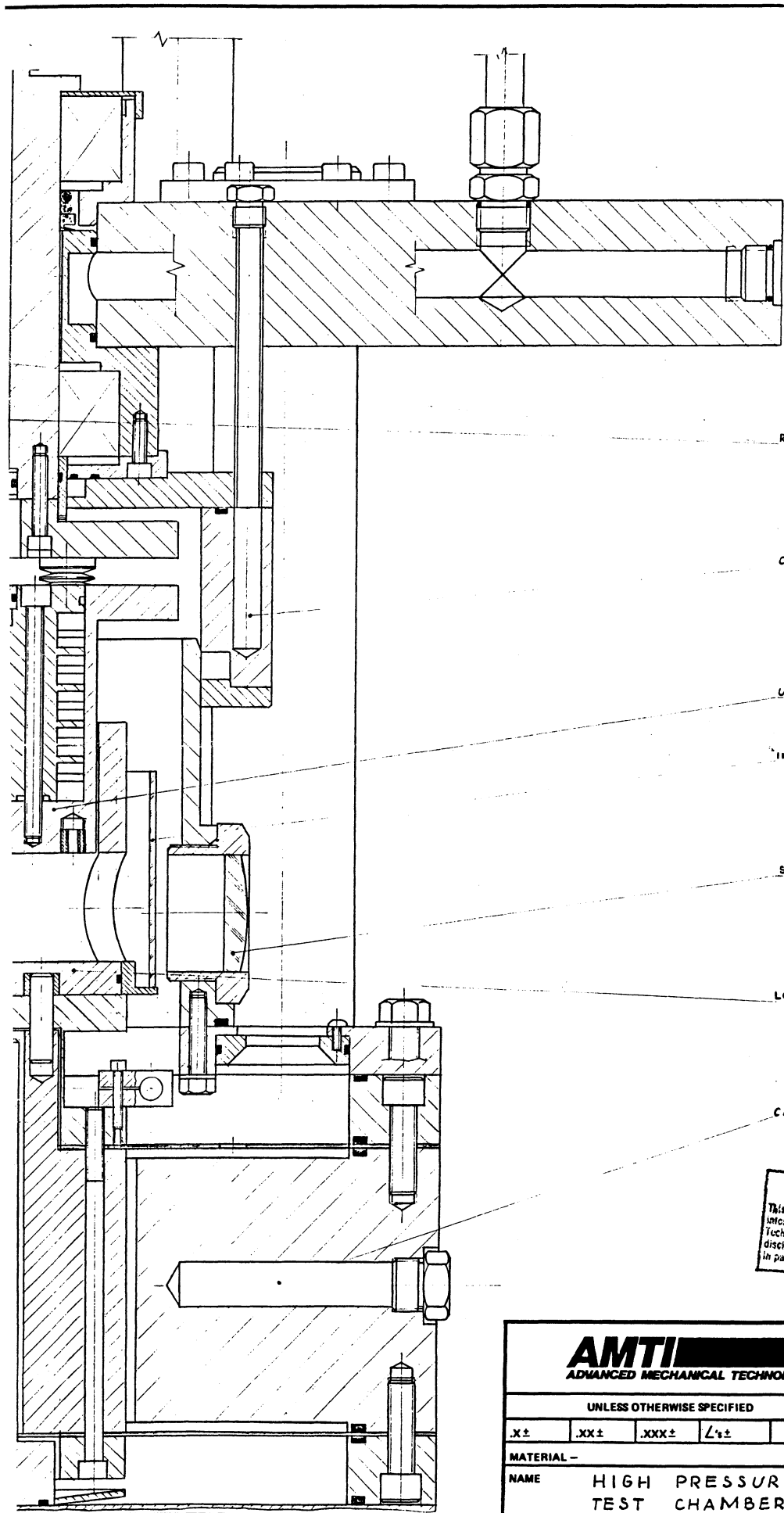
POINT OF CONTACT

OVERLOAD STOP PIN

TRANSDUCER

LIQUID SAMPLING
LINE

DIAPHRAGM
SPRINGS



RECIRCULATOR LINES

CARTRIDGE HEATER

UPPER SPECIMEN HOLDER

INNER GLASS PIECE

SIGHT PORT

LOWER SPECIMEN HOLDER

CARTRIDGE HEATER

PROPRIETARY
 This document or drawing contains confidential information proprietary to Advanced Mechanical Technology, Inc. (AMTI). It is not to be reproduced or disclosed to others or used in any other way in whole or in part except as authorized in writing by AMTI.

					<input type="checkbox"/>				
					AT	DATE	REVISION	ECN	APPD
UNLESS OTHERWISE SPECIFIED					DRAWN	DATE	PROJECT NO	JN-	
.X±	.XX±	.XXX±	L±	✓	CHECKED		NEXT ASSY NO		
MATERIAL -					APPROVED	4/16/92	SHEET NO	NO OF SHEETS	
NAME HIGH PRESSURE TEST CHAMBER					APPROVED		DRAWING NUMBER		REV
					SCALE		ATD-24278		