

April 2012

HI-TECH ENERGY METER WITH AUTOMATIC LOAD CONTROL

ARNAB GANGULY

Educational and Research Institute, Chennai, ARNABGANGULY@GMAIL.COM

K.P SATHEYAMOORTHY

Educational and Research Institute, Chennai, K.PSATHEYAMOORTHY@GMAUL.COM

Follow this and additional works at: <https://www.interscience.in/ijica>



Part of the [Aerospace Engineering Commons](#), and the [Mechanical Engineering Commons](#)

Recommended Citation

GANGULY, ARNAB and SATHEYAMOORTHY, K.P (2012) "HI-TECH ENERGY METER WITH AUTOMATIC LOAD CONTROL," *International Journal of Instrumentation Control and Automation: Vol. 2 : Iss. 1* , Article 10.

DOI: 10.47893/IJICA.2012.1067

Available at: <https://www.interscience.in/ijica/vol2/iss1/10>

This Article is brought to you for free and open access by the Interscience Journals at Interscience Research Network. It has been accepted for inclusion in International Journal of Instrumentation Control and Automation by an authorized editor of Interscience Research Network. For more information, please contact sritampatnaik@gmail.com.

HI-TECH ENERGY METER WITH AUTOMATIC LOAD CONTROL

ARNAB GANGULY¹ & DR. K.P SATHEYAMOORTHY²

²DEAN- E.E.E.\ Dr. MGR., ¹Dr M.G.R. Educational and Research Institute, Chennai-95

Abstract- Now a day's automation is in every field, although there are many places automation has been emerged and successfully implemented but still the service provider for energy still uses conventional methods for getting the energy consumed by individual customer. This method is very time consuming and un- economical and may lead to human error. Our proposed system (AMR) will automatically send the data of the digital energy meter to the service provider with the help of the GSM modem once in a day and hence the system will report the service provider once in a through SMS. The same system can be used to check the last reading consumed by the consumer, when demanded by user through the same GSM modem .The device can also be used to control the load from both the ends that is (user –service provider) with the help of relay circuit and system will also be provided with an LCD display which will update the consumers with different information's regarding tariff change or sudden power cut .

Keywords- AMR, GPS, LCD, ENERGYMETER

I. INTRODUCTION

Electricity is the driving force behind the development of any country. With the rapid increase in residential, commercial, and industrial consumers of electricity throughout the world, it has now become imperative for utilities companies to devise better, non-intrusive, environmentally-safe techniques of gauging utilities 'consumption so that correct bills can be generated and invoiced.

Traditionally, the electricity meters are installed on consumer's premises and the consumption information is collected by meter-readers on their fortnightly or monthly visits to the premises. This method of gauging electricity consumption has the following disadvantages: (i) Sometimes the meters are installed inside people's homes and, if the consumer is not at home, the meter-reader cannot record the fortnightly or monthly consumption and then the utilities 'company has to resort to considering the average bill-amount of the previous months as an indicator of the likely consumption for the current month. This results in burden for both consumer and the electricity supply company. May be the consumer has not utilized similar amount of electricity in the current month as in the previous months for reasons such as, holidaying elsewhere or being in the hospital, etc. during the month, and sending him a bill for a larger amount based on his history of electricity consumption may result in his/her financial hardship. This method of billing is also not suitable for the electricity supply company because it gives inaccurate account of the overall electricity consumption in the consumer's area and may ultimately result in errors in future planning by the company. (ii) Hiring of a number of meter readers by utilities' companies and providing means of transportation to them is an expensive burden on the

companies' budgets. Moreover, these visitors of the may use vehicles to reach the consumers' premises, generate pollution in the air which has negative impact on the environment and the greenhouse effect. (iii) Dissatisfaction of some customers who may consider meter-readers' entrance to their homes as some sort of invasion of their privacy. This is especially applicable in villages, where during the day most men are outside of their homes earning a living and only women are at doing the housework. (iv)The meter readers may make some mistake in reading the consumed unit which will lead to false billing due to human error. The SMS has extended their service to content providers to deliver a wide variety of services to mobile phone users. SMS is one of the convenient mean of communication especially for reminder, notification, and a short note when the mobile phone user is not expect to answer or respond immediately. With the advancement and booming of ICT and internet technology makes online information system applications such as e-commerce are systems using Power Line Carrier (PLC) communications , Bluetooth and ZigBee were developed to address the above mention problems, but the above mentioned AMR are either short in operating distant and still require some intervention of human operators or prone to error and reliability issue due to noise and poor power quality in the transmission line, more importantly the above mentioned method does not allow control. With the rapid development of Global System Mobile (GSM) infrastructure and Information Communication Technology (ICT) in the past two decades has made wireless automatic meter reading system more reliable and possible. The GSM Power Meter Reading and Control (GPMC) System takes advantage of the available GSM infrastructure

nationwide coverage in the country and the Short Messaging System (SMS) cell broadcasting feature to request and retrieve individual houses and building power consumption meter reading back to the energy provider wirelessly and the control system will monitor the power of the appliances which consumes more power than its predefined limit.

If the power increases to the predefined limit the control system will control the power by means of different techniques for different types of loads like resistive and inductive load so as to reduce unnecessary power consumption of appliances and to save the energy at the same time the energy provider can connect or disconnect the power supply to the home is there is an irregularity in the payment of the electricity consumed bill with the help of the same GSM modem.

The followings are the objectives of the research project to ensure it meets the aim.

- To design a circuit which continuously monitors the meter reading and sends the message to User and electricity department.
- To design a mechanism that will monitors and controls the power of appliances from both ends
- An LED display with a speaker which will report the latest updates to the consumers regarding tariffs and if there is an sudden power cut . The GSM modem will report to the Service provider modem on daily basis and at the end of the month analysis of the energy consumed is done tariffs and vats are included and bill are sent to the consumers inform of mail SMS and hardcopy in the billing address provided by the consumers.

II. PROPOSED WORK

To implement this system, an ARM controller or an PLC based board is used. module, UART module to interface a GSM modem and energy meter. The energy meter which generates the pulses as well as count the energy consumed is used. The digital energy meter is having a LED which blinks for a specific number of times to indicate the energy consumed (e .g. 1 Unit = 1600 pulses). These pulses are fed to ARM based system which is programmed to count these pulses.

The system reads these pulses and after counting specific number of pulses it increments the internal counter by one which indicates the number of units consumed. The system also contains a relay circuit and an LCD display which is interfaced with the modem and the control circuit as shown in figure 1

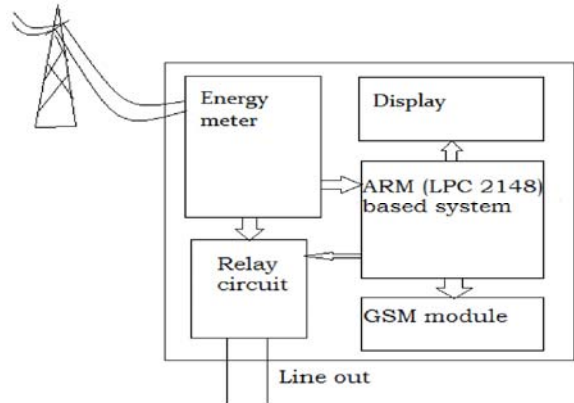


Fig:1 block diagram of proposed system

Now, when the service provider sends a message to read the energy meter data, GSM modem, which is connected through UART interface, interrupts ARM. This causes ARM to read the number of units burnt and sends the data to the UART. Further, the UART sends the data to GSM modem which sends this meter reading data to service provider. At the end of the month the total unit consumed is detected, tariffs are included and sent to the consumers in form of SMS, email, and hardcopy of bill to the address of the user. If now, the service provider detects that the previous bills are pending for a specific user, the message will be sent by the service provider, which results in disconnection of energy supply for that user. For this purpose, the supply goes further to home/office through a relay circuit, which is again controlled by ARM system or the PLC. The service provider can now inform the customer regarding the current bill or status using the customer’s registered phone number by either a message The system will also contain a display system with a speaker which will report latest information to the consumers.

III. SYSTEM OVERVIEW

The complete system over view for the system shown in the fig.2 The complete system is made up of GSM power meter (GPM) in every consumer unit and SMS gateway, application terminal data base server email server printer server and e- server installed at the distributed site the system is working In conjunction with GSM network to

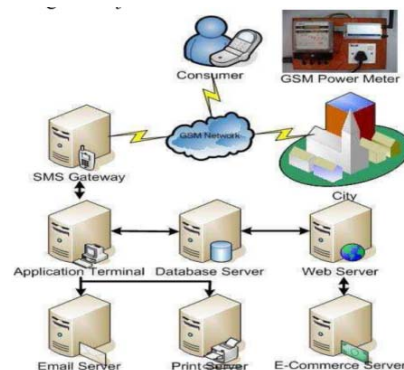


Figure 2: proposed system

working In conjunction with GSM network to retrieve power meter reading using SMS. The GPM is a single Phase digital KWh which utilizes the GSM network to send the power usage reading back to the energy provider wirelessly once in a day through SMS gateway .The consumer can also check the latest reading of the energy meter in form of SMS when demanded by the users. .A sim card with the unique service no is required for the GPM to receive and reply it's to the energy provider the special service no. sim card is work similar with the mobile phone no: except it is not meant for voice service. The sim card is also used to identify and retrieve the customer details from the data base server for billing purpose. The above figure fig:2 shows the structure of the system in the service providers end. At the end of the month the total unit consumed is detected, tariffs are included and sent to the consumers in form of SMS, email, and hardcopy of bill to the address of the user. The same above meter can also be used to control the load . if the consumer wants tho control the load from the far end the can do it with the help the above GSM modem. The distributes can also control the load from the far end with the help of the same GSM modem if the consumer fails to pay the money on time .All the load control is made possible with the help of relay connecter to the meter .this system will also have an LCD display and an speaker interfaced with the modem with the help of ARM controller or the PLC that will display the important message regarding un scheduled or emergency power cut or information regarding tariff to the consumer

IV. HARDWARE IMPLEMENTATION

A large part of the project involved choosing the appropriate hardware components to take the meter reading from the meter and send it to user and to server remotely and to control the power consumption and provide a wireless link. The initial idea was to search for an all-in-one solution that would have all the components integrated, allowing for the smallest size possible. Initially it was thought that a simple circuit could be built and attached to a microprocessor to control the power.

But the cost of the circuit with microprocessor is very high. It was decided that designing a simple circuit, with the help of the microcontroller and would provide accurate power controlling and the measurement of meter reading. The following sections describe the research process as well as the implementation of these integrated circuits.

Hardware implementation was done in Eagle 6.0 which is having the facility of PCB layout print. It can also be designed with PLC when being used in industrial automation purposes still work is in

progress in this field so that proper interfacing can be obtained with maximum efficiency and less cost

V. SOFTWARE IMPLEMENTATION

According to the hardware circuit design features, meter reading terminal program flowchart was introduced as shown in figure3.and figure .4 First the system initializes each module, and then reads the meter reading regularly and stores them. When the receiving the command, meter send the current status along with the energy consumption.

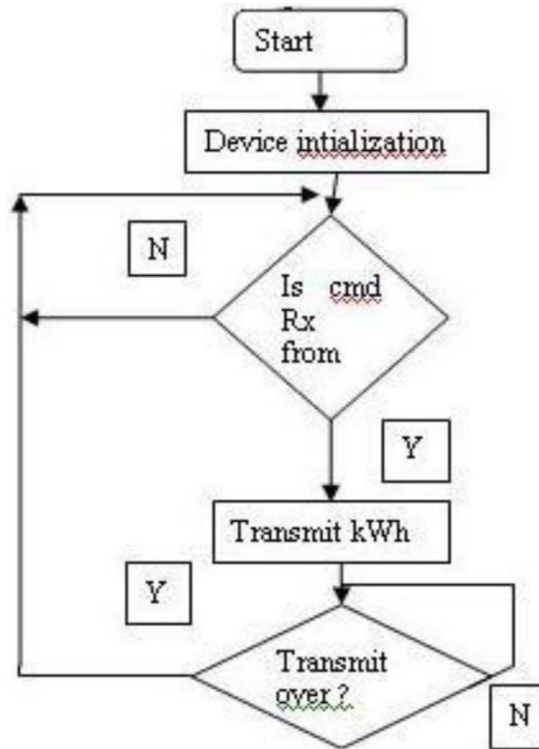


Fig 3: Meter side program flow

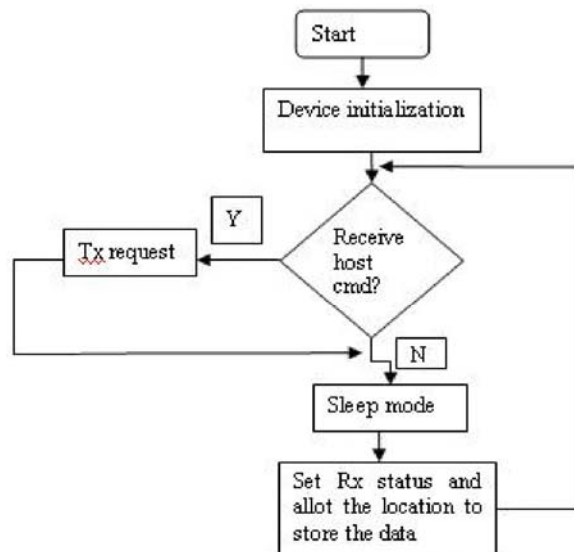


Fig 4 : Server side program flow

VI. SIMULATION WITH PLC (KEYENCE-LADDER BUILDER VERSION 1.5)

The simulation is done in Keyence ladder builder software version 1.5 which shows that the program can be successfully implemented in PLC. Today delta PLC is available in market which helps in easier implementation of the above required purpose. For simulation purpose we are using Keyence ladder building software. The simulation result shown is divided into two parts one part is for energy meter data reading while the other part is for load control. The sensor senses the units and stores it in memory when the 24 hours timer turns high it transmits the data to the through the GSM modem. on receiving the data it will save the data an at the end of 30 days the stored data in distribution side is counted tariff, vat are added and sent to the user in form of message , mail and printed hard copy in the mentioned address. The second part the PLC program shows the load control. When the GSM senses load control command from the Consumer side it turns on the control circuit which is designed to control the load accordingly. When the sensor receives load control signal from the energy provider side it disconnects the system from the supply with the help of relay circuit load control.

VII. RESULT TO BE OBTAINED

The project is having the facility of getting the meter reading at any time by the customer request. The fig5 show the message which is send by the customer to the energy meter



Fig 6. : SMS send to meter side from customer

And the consumer receives the present reading in his mobile phone as shown in the following image.

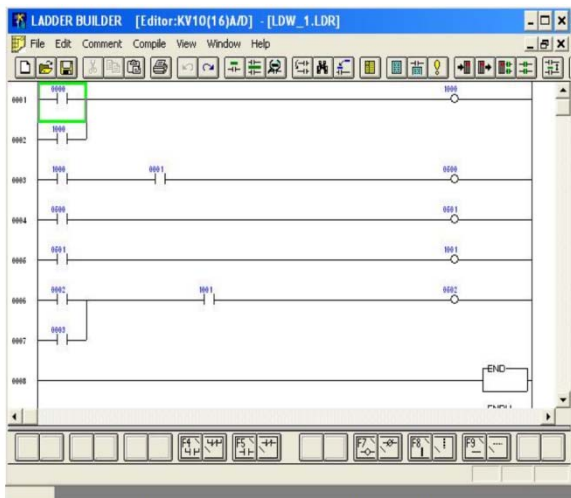


Fig: 6. Energy meter data reading

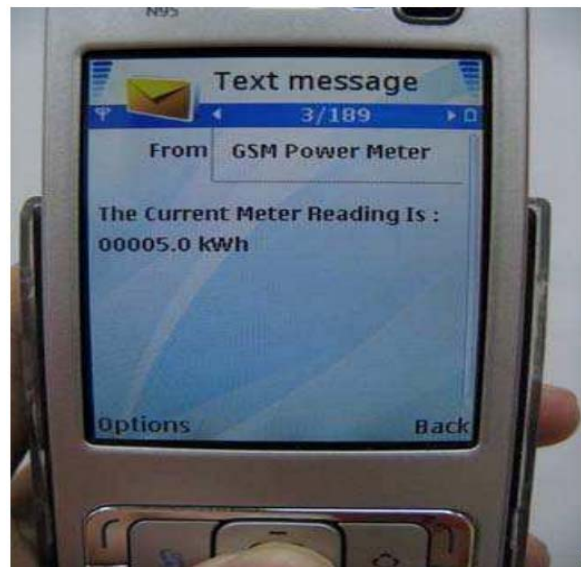


Fig 7 SMS received by customer from meter

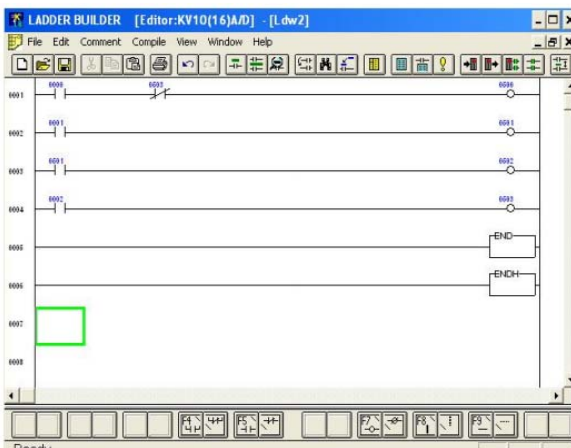


Fig: 7 Energy meter load contro

At the end of the month the consumer will receive a mail, printed hard copy in the postal address mentioned and SMS in his mobile phone relating all about bill details.

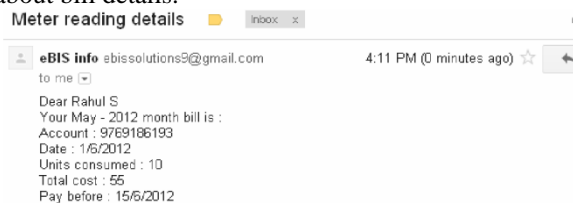


Fig 8 : Email received by customer from server

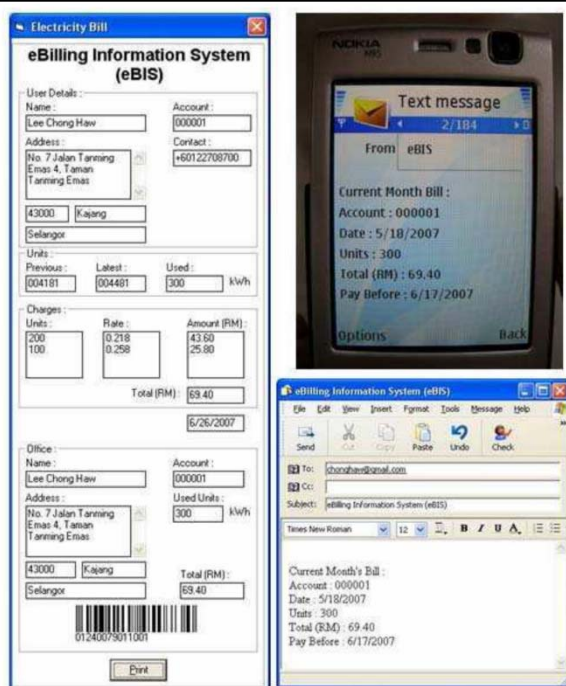


Fig 9 The monthly bill SMS received by customer from server

VIII. ADVANTAGE OF SYSTEM

The system designed reduces the efforts of manual data collection of energy meter. Also, data which is received at service provider side is easy to manipulate for bill generation and other such tasks. With this system we can collect the reading as well as control the supply to the user. With addition of software at service provider side, the customer can be informed of current meter reading, bill for current cycle, status of the line and other parameters to the customer with either message or a phone call.

IX. CONCLUSION

A complete working prototype of this system is being done to demonstrate an automatic power meter reading using the GSM network. The system takes the advantage of the existing GSM infrastructure that have virtually full coverage of all housing and

building area across the country which lead to low infrastructure Implementations cost, simple and easy installation of GSM power meter at consumer site as GSM .Power meter is no difference from Existing analogue or digital meter installation the complete E billing system help in easy billing and delivering of the bill in form of SMS, email and printed hardcopy .the system is effective reliable and efficient wireless automatic power meter reading with automatic load control. Thus it reduces the operation cost and human operator meter reading, making the system error free with the help of the GSM modem, the only drawback with the system is that it way sometimes leads to slow delivery of message to the distribution side GSM modem.

REFERENCE

- [1] S.Arun,Dr.Sidappa "Design and Implementation of Automatic Meter Reading System Using GSM, ZIGBEE through GPRS." International Journal of Advanced Research in Computer Science and Software Engineering Research Paper. Volume 2, Issue 5, May
- [2] Bharat Kulkarni "GSM Based Automatic Meter Reading System Using ARM Controller" International Journal of Emerging Technology and Advanced Engineering Website:, Volume 2, Issue 5, May 2012)
- [3] "Mr.Rahul Ganesh Sarangle,Prof.Dr.Uday Pandit Khot, Prof. Jayen Modi "Gsm Based Power Meter Reading And Control System" Mr.Rahul Ganesh Sarangle, Prof.Dr.Uday Pandit Khot ,Prof. Jayen Modi .International Journal of Engineering Research and Applications (IJERA) 4, June-July 2012.
- [4] Li Quan-Xi, Li Gang "Design of remote automatic meter reading system based on ZigBee and GPRS"Proceedings of the Third International Symposium on Computer Science and Computational Technology(ISCST '10) 14-15, August 2010,
- [5] Tariq Jamil, , "Design and Implementation of a Wireless Automatic Meter Reading System" WCE 2008, July 2 - 4, 2008, London, U.K IAENG Proceedings of the World Congress on Engineering 2008 Vol I. , July 2 - 4, 2008, London
- [6] B. S. Koay, S. S. Cheah, Y. H. Sng, P. H. J. Chong, P. Shum, Y. C. Tong, X.Y. Wang, Y.X. Zuo and H. W. Kuek, "Design and Implementation of Bluetooth Energy Meter" ICICS-PCM-2003,15-18 December 2003

