


LETTER TO THE EDITOR

Open Access



Constructing an automatic diagnosis and severity-classification model for acromegaly using facial photographs by deep learning

Yanguo Kong^{1*†}, Xiangyi Kong^{2*†} , Cheng He³, Changsong Liu⁴, Liting Wang⁴, Lijuan Su^{5,6}, Jun Gao¹, Qi Guo⁷ and Ran Cheng^{3*}

Abstract

Due to acromegaly's insidious onset and slow progression, its diagnosis is usually delayed, thus causing severe complications and treatment difficulty. A convenient screening method is imperative. Based on our previous work, we herein developed a new automatic diagnosis and severity-classification model for acromegaly using facial photographs by deep learning on the data of 2148 photographs at different severity levels. Each photograph was given a score reflecting its severity (range 1~3). Our developed model achieved a prediction accuracy of 90.7% on the internal test dataset and outperformed the performance of ten junior internal medicine physicians (89.0%). The prospect of applying this model to real clinical practices is promising due to its potential health economic benefits.

Keywords: Severity-classification model, Acromegaly, Facial photographs, Deep learning

To the Editor,

Acromegaly is generally caused by the persistent excessive secretion of the growth hormone (GH), usually resulting from pituitary adenomas. Due to its insidious onset, vague symptoms, and slow progression, the diagnosis of this disease is usually delayed rendering severe complications like cardiovascular diseases and treatment difficulty. A convenient screening method is imperative. The typical facial features of acromegaly are critical clues

for the preliminary diagnosis, including enlarged nose and brow, prominent jaw and zygomatic arch, thick lips, and swelling facial soft tissue. In our previous study, we developed an algorithm model for the automatic detection of acromegaly from facial photographs using machine learning, whose positive predictive value (PPV) achieved 96%, outperforming the neuroendocrinologists [1]. However, this study failed to differentiate the severities and stages of the acromegaly. In our present study, we aimed to train more facial photographs of patients with acromegaly at different severity levels to construct an updated algorithm model with the function of both automatic diagnosis and severity-classification. The materials, methods, and results are shown in detail in the Additional file 1.

We totally included 716 subjects (339 women, 54.3 ± 12.7 -year-old; 377 men, 52.7 ± 10.1 -year-old), contributing to a total of 2148 photographs at different severity levels (1911 in the training dataset and 237 in the test dataset). By visual inspections, twenty board-certified neuroendocrinologists separately gave each photograph a score reflecting its severity [normal or very slight (score 1), mild

* Correspondence: kong0126@126.com; kongyg@pumch.cn; kongxiangyikxy@gmail.com; kongxiangyi@pumc.edu.cn; ranchengcn@gmail.com

[†]Yanguo Kong and Xiangyi Kong contributed equally to this work.

¹Department of Neurosurgery, Peking Union Medical College Hospital, Chinese Academy of Medical Sciences, NO.1 Shuaifuyuan Hutong of Dongcheng District, Beijing 100730, China

²Department of Breast Surgical Oncology, National Cancer Center/National Clinical Research Center for Cancer/Cancer Hospital, Chinese Academy of Medical Sciences and Peking Union Medical College, Beijing 100021, China

³Guangdong Provincial Key Laboratory of Brain-inspired Intelligent Computation, Department of Computer Science and Engineering, Southern University of Science and Technology, Shenzhen 518055, China
Full list of author information is available at the end of the article



© The Author(s). 2020 **Open Access** This article is licensed under a Creative Commons Attribution 4.0 International License, which permits use, sharing, adaptation, distribution and reproduction in any medium or format, as long as you give appropriate credit to the original author(s) and the source, provide a link to the Creative Commons licence, and indicate if changes were made. The images or other third party material in this article are included in the article's Creative Commons licence, unless indicated otherwise in a credit line to the material. If material is not included in the article's Creative Commons licence and your intended use is not permitted by statutory regulation or exceeds the permitted use, you will need to obtain permission directly from the copyright holder. To view a copy of this licence, visit <http://creativecommons.org/licenses/by/4.0/>. The Creative Commons Public Domain Dedication waiver (<http://creativecommons.org/publicdomain/zero/1.0/>) applies to the data made available in this article, unless otherwise stated in a credit line to the data.

or moderate (score 2), and severe (score 3)]. The modal numbers were chosen as the final scores (for all photographs, the proportions of the occurrence of the modal numbers were over 80% among the 20 scores). We calculated a Spearman rank-order correlation coefficient with p values to validate the significant positive correlation between the score and the real clinical severity, reflected by the tumor size, tumor maximum diameter, serum GH level, serum insulin-like growth factor (IGF)-1 level, and ki67% (all $P < 0.01$; Table S1, Figure S1), which could be seen as the gold standard used to assign the true severity label to each patient.

The Face Recognition Library was used to do the face detection. Specifically, we first used OpenCV Cascade Classifier with a Haar Cascade to detect the face in a color image and get the face bounding rectangle box. In order to retain the forehead and chin information, we then increased the height of the bounding box by expanding both the top and bottom. At last, we cropped and resized all the detected bounding boxes to the same pixel dimensions of 160×160 pixels (Figure S2). We augmented the existing data by changing the brightness, changing the saturation, adding Gaussian noise, and flipping horizontally (Figure S3). Face frontalization was achieved using the method proposed by Sagonas et al. [2]. The architecture of our model is shown in Fig. 1. We used the pre-trained Inception ResNet V1 as our feature extractor for face recognition based on CASIA-WebFace dataset [3]. At the end of our model, there were two branches, one for the softmax loss and the other for the center loss. In the softmax loss branch, instead of using fully connected layers, we proposed to use a 1×1 convolutional layer and a global average pooling layer as the final classifier, which could reduce the number of parameters and possibility of overfitting. Then, we used the cross-entropy as our softmax loss function [4]. In the center loss branch, we used a fully connected layer to produce a 512-dimensional vector as the learned features. To take advantage of the discriminative power of the features, we created three trainable 512-

dimensional vectors corresponding to three classes respectively. Then, we used the distance between the vectors and the features as our center loss, i.e., the input images belonged to the same class should have the same features.

The trained model was tested by a separate test dataset, which was labeled by the same neuroendocrinologists. The test data were not seen before and collected from different hospitals, containing a total of 79 subjects with 237 photographs, among which, 43 photographs were scored 1, 93 photographs scored 2, and 101 photographs scored 3. The total prediction accuracy of our proposed model was 90.7%, where 22 photographs had the incorrectly predicted scores. For score 1 class, our model had a precision of 94.1%, a recall of 74.4%, and a F1-Measure of 0.831 (Table 1 (A)). To be more specific, the false-negative rate (FNR) was 1.03%, where two patients with acromegaly were predicted to be health (predicted to score 1 participants) over 194 participants with acromegaly (score 2 and score 3 participants). We also tested its performance against ten junior internal medicine physicians. The total prediction accuracy of our model was higher than that of the ten physicians (90.7% vs. 89.0%). For score 1 class, the physicians had a precision of 91.7%, a recall of 76.7%, and a F1-Measure of 0.835 (Table 1 (B)).

Previously published related models, including our own developed one [1], could only tell whether or not the photography was an acromegaly. To our knowledge, the present model was the first one with the function of severity-classification, thus had some breakthrough implications. Of note, the accuracy 90.7% was lower than that of our previous study (PPV 96%) [1]. This was because the outcome of the severity-classification model was a polytomous variable rather than a dichotomous variable and had to require much more potential input characteristic variables. This study harbored several limitations. Firstly, because the acromegaly itself is an uncommon disease, the training data size was not large enough. To achieve a higher accuracy, we have been

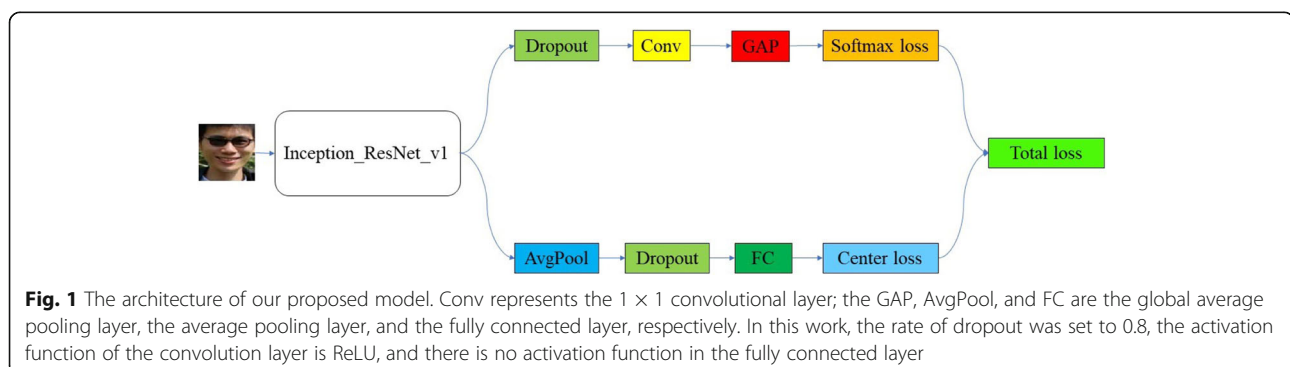


Table 1 Confusion matrix to evaluate accuracy, precision, and recall of the algorithm model

Predicted severity	Actual numbers in the test dataset			Total
	Score 1	Score 2	Score 3	
A Accuracy, precision, and recall of our algorithm model				
Score 1	32	1	1	34
Score 2	4	85	2	91
Score 3	7	7	98	112
Total	43	93	101	237
Precision	94.1%	93.4%	87.5%	
Recall	74.4%	91.4%	97.0%	
F1-Measure	0.831	0.924	0.920	
Total prediction accuracy	-	-	-	90.7%
B Accuracy, Precision, and Recall of Physicians				
Score 1	33	3	0	36
Score 2	5	83	6	94
Score 3	5	7	95	107
Total	43	93	101	237
Precision	91.7%	88.3%	88.8%	
Recall	76.7%	89.3%	94.1%	
F1-Measure	0.835	0.888	0.914	
Total prediction accuracy	-	-	-	89.0%

focusing our efforts on two main directions: (1) accumulating more photography to enlarge the data size and (2) introducing the face classification with 3D information of video frames, which would overcome those difficulties in image pre-processing and increase the accuracy for acromegaly screening. Secondly, although the test dataset we used were collected from different hospitals, the data size was small. We will test its generalization on a greater scale. Thirdly, the study was performed mainly in Asian population and may be limited to be extrapolated to other populations. We have been trying to estimate its applicability to Caucasian and Black populations and anticipate completing this work by the end of this year. Nevertheless, the grassroots solution for the model generalization was still incorporating more training data of other populations to further optimizing the algorithm.

In conclusion, this developed model achieved a relatively high sensitivity and specificity for automatic diagnosis and severity-classification of acromegaly. Due to its usefulness in helping people conduct the self-screening conveniently, such as uploading one's selfie to a specifically developed mobile min app, resulting in acromegaly's early diagnosis and thus early treatment, our work could greatly save medical resources, improve medical efficiency, alleviate imbalances in health development between regions, and has significant health economic benefits in the world.

Supplementary information

Supplementary information accompanies this paper at <https://doi.org/10.1186/s13045-020-00925-y>.

Additional file 1.. The materials, methods, results and limitations of this study in detail.

Additional file 2.. Table S1. Spearman correlation coefficient results and p-values measuring the rank correlation.

Additional file 3.. Figure S1. The heatmap displaying the Spearman Correlation coefficient of the score and other features.

Additional file 4.. Figure S2. Face detection: the blue box represented the detected bounding box by the Face Recognition library. The red box represented the bounding box after we increased the height.

Additional file 5.. Figure S3. Examples of data augmentation methods, from left to right, we had the original image, the image with changed brightness, the image changed saturation, the image added Gaussian noise, the image flipped horizontally.

Abbreviations

GH: Growth hormone; PPV: Positive predictive value

Acknowledgements

We thank all the patients and families who were involved in this study for providing their photographs.

Authors' contributions

YK and XK put forward the key idea of this study and collect all the patient data regarding the acromegaly disease. RC, CH, and LS analyzed the data and developed the algorithm model. JG and QG conducted the algorithm validation. XK was a major contributor in writing the manuscript. All authors read and approved the final manuscript.

Funding

This study was supported by the Non-profit Central Research Institute Fund of Chinese Academy of Medical Sciences (Project Number: 2019XK320041).

Availability of data and materials

All supporting data are included in the manuscript and supplemental files. Additional data are available upon reasonable request to corresponding author.

Ethics approval and consent to participate

This study had passed the ethical review before conduction. Every involved subject had signed an informed consent. The study was conducted in accordance with the Declaration of Helsinki, Guideline for Good Clinical Practice, and applicable national and local regulations for trials.

Consent for publication

All authors read and approved the final manuscript for publication.

Competing interests

The authors declare no competing interests.

Author details

¹Department of Neurosurgery, Peking Union Medical College Hospital, Chinese Academy of Medical Sciences, NO.1 Shuaifuyuan Hutong of Dongcheng District, Beijing 100730, China. ²Department of Breast Surgical Oncology, National Cancer Center/National Clinical Research Center for Cancer/Cancer Hospital, Chinese Academy of Medical Sciences and Peking Union Medical College, Beijing 100021, China. ³Guangdong Provincial Key Laboratory of Brain-inspired Intelligent Computation, Department of Computer Science and Engineering, Southern University of Science and Technology, Shenzhen 518055, China. ⁴Department of Electronic Engineering, Tsinghua University, Beijing 100084, China. ⁵Shenzhen JOY SMART Lab INC, Shenzhen, China. ⁶School of Media and Health Communication, Shenzhen University, Shenzhen, China. ⁷Cardiovascular Epidemiology Unit, Department of Public Health and Primary Care, University of Cambridge, Cambridge, UK.

Received: 4 May 2020 Accepted: 24 June 2020

Published online: 03 July 2020

References

1. Kong X, Gong S, Su L, Howard N, Kong Y. Automatic detection of acromegaly from facial photographs using machine learning methods. *EBioMedicine*. 2018;27:94–102.
2. Sagonas C, Ververas E, Panagakis Y, Zafeiriou S. Recovering joint and individual components in facial data. *IEEE Trans Pattern Anal Mach Intell*. 2018;40(11):2668–81.
3. Liu S, Song Y, Zhang M, Zhao J, Yang S, Hou K. An identity authentication method combining liveness detection and face recognition. *Sensors (Basel)*. 2019;19(21):E4733.
4. Gorgi Zadeh S, Schmid M. Bias in Cross-Entropy-Based Training of Deep Survival Networks. *IEEE Trans Pattern Anal Mach Intell*. 2020 [Epub ahead of print].

Publisher's Note

Springer Nature remains neutral with regard to jurisdictional claims in published maps and institutional affiliations.

Ready to submit your research? Choose BMC and benefit from:

- fast, convenient online submission
- thorough peer review by experienced researchers in your field
- rapid publication on acceptance
- support for research data, including large and complex data types
- gold Open Access which fosters wider collaboration and increased citations
- maximum visibility for your research: over 100M website views per year

At BMC, research is always in progress.

Learn more biomedcentral.com/submissions

