

ARTICLE

Received 1 Nov 2015 | Accepted 12 Sep 2016 | Published 25 Oct 2016

DOI: 10.1038/ncomms13194

OPEN

Simulating the exchange of Majorana zero modes with a photonic system

Jin-Shi Xu^{1,2}, Kai Sun^{1,2}, Yong-Jian Han^{1,2}, Chuan-Feng Li^{1,2}, Jiannis K. Pachos³ & Guang-Can Guo^{1,2}

The realization of Majorana zero modes is in the centre of intense theoretical and experimental investigations. Unfortunately, their exchange that can reveal their exotic statistics needs manipulations that are still beyond our experimental capabilities. Here we take an alternative approach. Through the Jordan–Wigner transformation, the Kitaev’s chain supporting two Majorana zero modes is mapped to the spin-1/2 chain. We experimentally simulated the spin system and its evolution with a photonic quantum simulator. This allows us to probe the geometric phase, which corresponds to the exchange of two Majorana zero modes positioned at the ends of a three-site chain. Finally, we demonstrate the immunity of quantum information encoded in the Majorana zero modes against local errors through the simulator. Our photonic simulator opens the way for the efficient realization and manipulation of Majorana zero modes in complex architectures.

¹Key Laboratory of Quantum Information, Department of Optics and Optical Engineering, University of Science and Technology of China, CAS, JinZhai Road 96, Hefei 230026, China. ²Synergetic Innovation Center of Quantum Information and Quantum Physics, University of Science and Technology of China, Hefei, Anhui 230026, China. ³School of Physics and Astronomy, University of Leeds, Leeds LS2 9JT, UK. Correspondence and requests for materials should be addressed to Y.-J.H. (email: smhan@ustc.edu.cn) or to C.-F.L. (email: cfli@ustc.edu.cn).

Majorana zero modes (MZMs) give rise to a non-trivial Hilbert space encoded in their degenerate states. When two MZMs are exchanged, their degenerate subspace can be transformed by a unitary operator that signals their non-Abelian statistics¹. In addition, quantum information encoded in the degenerate subspace of MZMs is naturally immune to local errors. The degeneracy of these states is protected by the fermion parity symmetry; thus, it cannot be lifted by any local symmetry-preserving perturbation. These unique characteristics make MZMs of interest to fundamental physics, whereas they can potentially provide novel and powerful methods for quantum information storing and processing².

The investigation of MZMs has attracted great attention. Rapid theoretical developments^{3–5} have greatly simplified the technological requirements and made it possible to experimentally observe MZMs. A few positive signatures of the formation of MZMs have been reported recently in solid-state systems^{6–11}. Nevertheless, the central characteristic of exotic statistics requires the trapping and transport of MZMs, to perform their exchange. This level of manipulation of MZMs is beyond our current control of solid-state systems.

In the following, we overcome this hurdle by taking advantage of the quantum simulation approach¹²: although the simulated system is not experimentally accessible with the current technology, the quantum simulator and its measurement results provide information about the simulated system. We use a photonic quantum simulator to investigate the exchange of MZMs supported in the one-dimensional Kitaev Chain Model (KCM). In principle, we can directly map the Fock space of the Majorana system to the space of the quantum simulator. Nevertheless, to make our approach easily accessible to other scalable systems, such as trapped ions¹³ or Josephson junctions¹⁴, where spin modes are directly available, we divide the map into two consecutive steps. First, we perform the mapping of the Majorana system to the spin-1/2 system via the Jordan–Wigner (JW) transformation^{15–18}. Next, we perform the mapping of the spin system to the spatial modes of single photons. The JW transformation¹⁹ is a non-local transformation that relates the states and evolutions of the topological superconducting Kitaev chain to the states and evolutions of a spin-1/2 chain. The corresponding spin system can then be simulated by our optical simulator. The simulated system has only two Majoranas (separated by a gap from all other excitations), any adiabatic manipulation can only result in a $U(1) \times U(1)$ transformation that carries the hallmark of their anyonic statistics. In this way, we are able to demonstrate the exchange of two MZMs in a three-site Kitaev chain encoded in the spatial modes of photons. We further demonstrate that quantum information encoded in the degenerate ground state is immune to local phase and flip noise errors.

Owing to the JW transformation, some of the non-local properties of the MZMs are lost in the simulated spin system. Indeed, local single-particle measurements can reveal the fusion space of the corresponding MZMs, something that is not possible in the fermionic picture. At the same time, some of the local properties of the MZMs are also lost. For example, two isolated Majorana fermions, located at the end points of the chain, correspond to excitons in the spin system that are spread along the whole chain. Nevertheless, as the spectra of the two systems are the same, their corresponding quantum evolutions are equivalent. This gives us the means to investigate the statistical behaviour of the MZMs as well as their resilience to errors. Our current simulation only probes the Abelian part of the exchange, as it employs two isolated MZMs. However, our technology and methodology can be used to demonstrate the non-Abelian statistics of Majorana fermions in which four MZMs are needed. This establishes our photonic quantum simulator as a novel

platform to study the exotic physics of Majorana fermions and their possible applications to quantum information²⁰. Thus, our results extend the capabilities of optical simulators.

Results

Majorana braiding. To clearly illustrate the properties of MZMs, we first consider the fermionic KCM⁵. This is the simplest model that supports two MZMs, γ_A and γ_B at its boundaries and exhibits twofold degeneracy in its ground state. The braiding properties of Majorana fermions can be investigated by exchanging two MZMs. To perform such an exchange, an adiabatic evolution between carefully constructed Hamiltonians ($H_0^{MF}, H_1^{MF}, \dots, H_n^{MF}, H_{n+1}^{MF} = H_0^{MF}$) have been proposed to probe the statistics of the MZMs in the KCM^{21,22}. The exchange of γ_A and γ_B induces the braiding evolution $U_{\text{ex}} = e^{i\gamma_B\gamma_A/4}$ (ref. 21) acting on the twofold-degenerate ground-state space. As the MZMs belong to the same chain with a fixed fusion channel, the braiding matrix is diagonal. Its elements are given in terms of geometric phases²³ on the basis of $|0_{Lf}\rangle$ (odd fermion parity) and $|1_{Lf}\rangle$ (even fermion parity), where the subscript f denotes fermionic states and L is the number of sites of the chain (see Supplementary Note 1). According to the work of Pancharatnam²⁴ and the Bargmann invariants²⁵, the geometric phases resulting from the braiding process can be directly determined through projective measurements

$$\varphi_g = -\arg(\langle m_{Lf} | P_1 P_2 \cdots P_n | m_{Lf} \rangle), \quad (1)$$

where φ_g is the geometric phase associated with $|m_{Lf}\rangle$, which represent the basis for the ground states of the Hamiltonian H_0^{MF} ($m = 0$ or 1). Here, P_j projects the system into the ground space of H_j^{MF} , for $j = 1, \dots, n$. The geometric phases are gauge invariant and uniquely determined by the Hamiltonians $H_0^{MF}, H_1^{MF}, \dots, H_n^{MF}$, whereas the details of the adiabatic processes between them are not essential^{26,27}. In general, the projective measurement can be expressed as an imaginary-time evolution (ITE) operator $e^{-H_j^{MF}t}$ with a sufficiently large evolution time t (ref. 28). The adiabatic requirement preserves the fermion parity of the initial state and guarantees that the off-diagonal elements in U_{ex} remain zero²⁶. Therefore, the whole information of U_{ex} can be read out from ITE operators $e^{-H_1^{MF}t} e^{-H_2^{MF}t} \cdots e^{-H_n^{MF}t}$ (ref. 29). By employing the method of dissipative evolution³⁰, each projective measurement can be efficiently completed with some finite probability (a general circuit is given in Supplementary Note 2). We shall employ this method to experimentally probe the geometric phases obtained during the exchange of two MZMs by simulating a spin model that is equivalent to the KCM.

To complete the exchanging of two MZMs, a four-fermion scheme has been proposed in the superconducting wire system²¹, which is further reduced to a three-fermion scheme in our work. The three-fermion KCM can be described in terms of six Majorana fermions, denoted by γ_j ($\gamma_j^\dagger = \gamma_j, \gamma_k\gamma_l + \gamma_l\gamma_k = 2\delta_{kl}$ for $j, k, l = 1, \dots, 6$), as shown in Fig. 1. The exchanging process can be completed by a set of adiabatic processes among three different Hamiltonians, as illustrated in Fig. 1a–d. The initial Hamiltonian is $H_0^{MF} = i(\gamma_2\gamma_3 + \gamma_4\gamma_5)$. The MZMs γ_1 and γ_6 are isolated at the boundary of the chain to form two MZMs, namely A and B (see Fig. 1a), and the degenerate ground-state space of H_0^{MF} is spanned by $|0_{3f}\rangle$ and $|1_{3f}\rangle$ ($L = 3$). The other two Hamiltonians are as follows: $H_1^{MF} = i(\gamma_4\gamma_5 + \frac{1}{2}\gamma_1\gamma_2)$, where γ_3 and γ_6 are isolated to form MZMs (see Fig. 1b), and $H_2^{MF} = i(\gamma_4\gamma_5 + \gamma_2\gamma_6)$, where γ_1 and γ_3 are isolated to form MZMs (see Fig. 1c). The MZMs cross during the adiabatic transition from H_1^{MF} to H_2^{MF} . To complete the exchange process, we adiabatically transform H_2^{MF} back into H_0^{MF} and the Majorana mode A is driven to the location of γ_6 (see Fig. 1d). The exchange

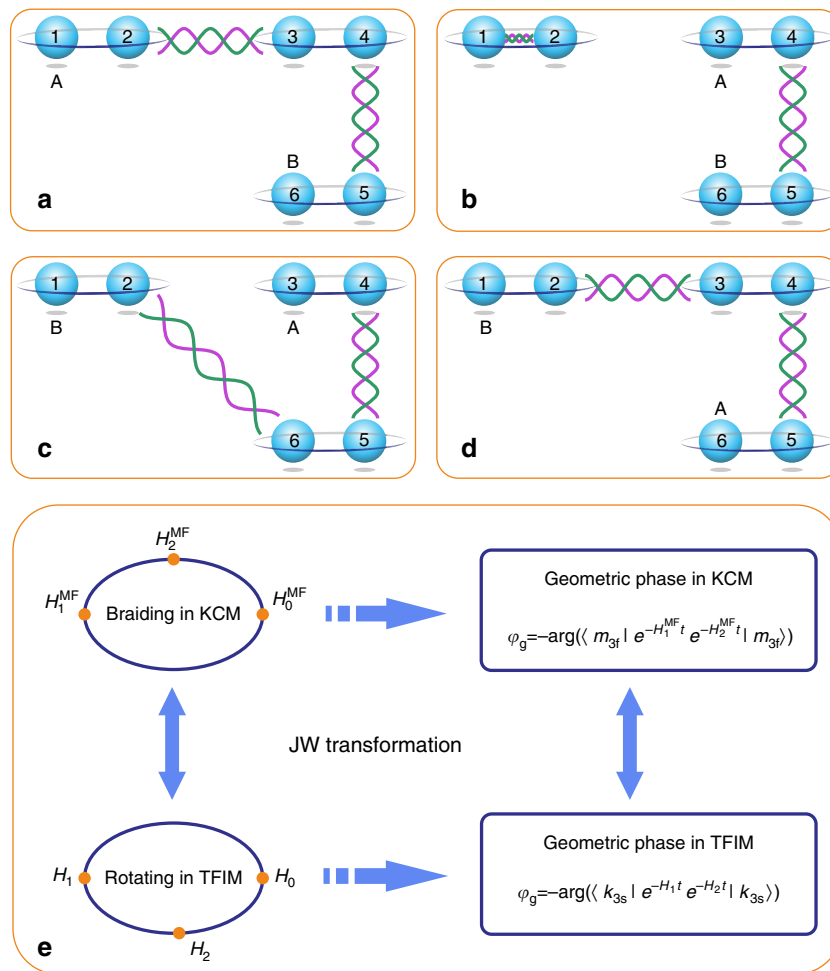


Figure 1 | The braiding of Majorana zero modes and the mapping between the fermionic and spin models. The spheres with numbers at their centres represent the Majorana fermions, γ_j , for $j = 1, \dots, 6$, at the corresponding sites. A pair of Majorana fermions bounded by an enclosing ring represents a normal fermion. The wavy lines between different sites represent the interactions between them. The interactions illustrated in **a, b, c** and **d** represent the Hamiltonians H_0^{MF} , H_1^{MF} , H_2^{MF} and H_0^{MF} , respectively. The letters A and B in each pane represent the corresponding isolated Majorana zero modes. The mapping between the Kitaev chain model (KCM) and the transverse-field Ising model (TFIM) through the JW transformation is shown in **e**. m_{3f} and k_{3s} are bases of the ground-state spaces defined in the KCM and TFIM (m and $k = 0$ or 1), respectively.

of A and B is thus completed, introducing the unitary operation $U_{ex} = e^{\pi\gamma_1\gamma_6/4}$ in the ground-state space on the basis of $|0_{3f}\rangle$ and $|1_{3f}\rangle$.

Through the JW transformation, a general KCM can be transformed into a one-dimensional transverse-field Ising model (TFIM)¹⁵. However, these two models have some differences in their physics (see Supplementary Note 3). In the fermionic system, the total fermion parity is fixed. The braiding effect in a single KCM is an overall phase. This phase cannot be directly measured as the superposition state with different fermionic parity is impossible. Despite that, the state of the spin model can be prepared in any superposition state. Hence, the relative geometric phase obtained during the exchange can be measured. As the KCM and the TFIM in the ferromagnetic region have the same spectra and their corresponding quantum evolutions are equivalent, the geometric phases obtained from the braiding evolution U_{ex} are invariant under this mapping (see Supplementary Note 4). As a result, the well-controlled spin system offers a good platform to determine the exchange matrix and investigate the statistical behaviour of MZMs.

The Hamiltonians involved in the three-fermion braiding scheme of the KCM, that is, H_0^{MF} , H_1^{MF} and H_2^{MF} , are transformed

through the JW transformation into a spin-1/2 system as follows (see Supplementary Note 5 for more details):

$$\begin{aligned} H_0 &= -(\sigma_1^x \sigma_2^x + \sigma_2^x \sigma_3^x), \\ H_1 &= -\sigma_2^x \sigma_3^x + \frac{1}{2}(\sigma_1^z + 1), \\ H_2 &= -(\sigma_2^x \sigma_3^x + \sigma_1^x \sigma_2^z \sigma_3^y), \end{aligned} \quad (2)$$

where σ_i^x , σ_i^y and σ_i^z are Pauli matrices of the i th spin. The ground states of these Hamiltonians are twofold degenerated. The basis of the ground states of H_0 are denoted by $|0_{3s}\rangle$ and $|1_{3s}\rangle$, (s indicates spin states) corresponding to the basis of $|0_{3f}\rangle$ and $|1_{3f}\rangle$ in KCM through JW transformation, respectively. The detailed form of $U_{ex} = e^{-H_2 t} e^{-H_1 t}$ in the ground space of H_0 , which is the same as $e^{-H_2^{MF} t} e^{-H_1^{MF} t}$ in the ground space of H_0^{MF} , can be obtained by the tomography process, where the initial ground states of H_0 are obtained from a randomly chosen input state $|\phi_r\rangle$ by implementing $e^{-H_0 t}$ with a sufficiently large t , that is, $e^{-H_0 t} |\phi_r\rangle$ (not normalized). The relative geometric phases and the exchange property of MZMs in the corresponding KCM can then be deduced from the information of U_{ex} . The mapping between the three-particle KCM and TFIM is further shown in Fig. 1e.

Local noise immunity. The robustness of the information encoded in the ground space of the KCM with Hamiltonian H_0^{MF} can also be studied in our system. We note that the degeneracy of the ground states of H_0 is not topologically protected, as it can be lifted by a local operator that breaks Z_2 symmetry, whereas the ground state of KCM is topologically protected³¹. However, owing to the equivalence of the spectra of the H_0^{MF} and H_0 , the information encoded in the ground state of H_0 is protected by the same excitation gap against local noises with Z_2 symmetry, which correspond to the noises in fermionic system. It is worth noting that, in our work, the ground states obtained from the ITE process are algorithmically encoded similar to that in quantum error correction³². This non-local encoding of states in a larger number of physical qubits protects them against local flip and phase errors. In other words, the Ising model is a good memory with some of the robustness characteristics of the Majorana³². As a result, the immunity of the local noises in KCM can be faithfully investigated, which establishes it as an attractive medium for storing and processing quantum information¹⁵.

Without loss of generality, we take the local error D_j acting on a certain site j of the KCM. To verify the robustness against this local error, we should confirm that the operator D_j has a trivial effect on any state in the ground-state space of H_0^{MF} , that is, $\langle \phi_i | D_j | \phi_i \rangle$ is constant for all the states $|\phi_i\rangle$ in the ground-state space of H_0^{MF} . There are two independent types of local noise: flip error (X_j) and phase error (Z_j). According to the argument presented in ref. 5, the single local flip error is impossible due to the fermionic parity conservation in the ideal KCM (we do not consider the quasiparticle poisoning effect in practical systems³³). Therefore, the local flip error can only happen at two sites simultaneously, such as $X_1 = c_1^\dagger c_2$ (c_j and c_j^\dagger are the annihilation and creation operators of the j th fermions, respectively). In terms of the TFIM the X_1 error operator becomes $\frac{1}{4}(i\sigma_1^y \sigma_2^z + \sigma_1^y \sigma_2^y + \sigma_1^x \sigma_2^z - i\sigma_1^x \sigma_2^y)$ through the JW transformation. Meanwhile, the local phase error on site 1, $Z_1 = c_1^\dagger c_1$, corresponds to the operator $\frac{1}{2}(\sigma_1^z + 1)$ of the spin system. Hence, to confirm the robustness of local errors in KCM, we need to check that $\langle \phi_{3f} | c_1^\dagger c_2 | \phi_{3f} \rangle = \frac{1}{4} \langle \phi_{3s} | (i\sigma_1^y \sigma_2^z + \sigma_1^y \sigma_2^y + \sigma_1^x \sigma_2^z - i\sigma_1^x \sigma_2^y) | \phi_{3s} \rangle$ and $\langle \phi_{3f} | c_1^\dagger c_1 | \phi_{3f} \rangle = \langle \phi_{3s} | \frac{1}{2}(\sigma_1^z + 1) | \phi_{3s} \rangle$ are constant for all states $|\phi_{3s}\rangle$ in the ground-state space of H_0 (corresponding to all states $|\phi_{3f}\rangle$ in the ground state space of H_0^{MF}).

Experimental results on simulating the braiding evolution. In our experiment the ITE operator plays a central role. For our current purpose, a useful method to implement the ITE is to design appropriate dissipative evolution³⁰, in which the ground-state information of the corresponding Hamiltonian is preserved but the information of the other states is dissipated (see Methods). Taking advantage of the commutation between $\sigma_1^x \sigma_2^x$ and $\sigma_2^x \sigma_3^x$, $\sigma_2^x \sigma_3^x$ and $\frac{1}{2}(\sigma_1^z + 1)$, and $\sigma_2^x \sigma_3^x$ and $\sigma_1^x \sigma_2^z \sigma_3^y$ in equation (2), the operator $e^{-H_2 t} e^{-H_1 t} e^{-H_0 t}$ can be expressed as

$$\begin{aligned} & e^{-H_2 t} e^{-H_1 t} e^{-H_0 t} \\ &= e^{(\sigma_2^x \sigma_3^x + \sigma_1^x \sigma_2^z \sigma_3^y) t} e^{(\sigma_2^x \sigma_3^x - \frac{1}{2}(\sigma_1^z + 1)) t} e^{(\sigma_2^x \sigma_3^x + \sigma_1^x \sigma_2^z \sigma_3^y) t} \\ &= e^{\sigma_2^x \sigma_3^x t} e^{\sigma_1^x \sigma_2^z \sigma_3^y t} e^{\sigma_2^x \sigma_3^x t} e^{-\frac{1}{2}(\sigma_1^z + 1) t} e^{\sigma_2^x \sigma_3^x t} e^{\sigma_1^x \sigma_2^z \sigma_3^y t}, \end{aligned} \quad (3)$$

where we set $t=5$ in our analysis. Owing to the fact that the eigenvectors and eigenvalues of each local operator, such as $\sigma_2^x \sigma_3^x$, can be obtained easily, the operation of $e^{\sigma_2^x \sigma_3^x t}$ can be implemented by the basis rotation (local unitary gate operation) and dissipation straightforwardly (see Supplementary Note 6 for more details). We therefore introduce an environmental degree of freedom and couple it to the system, which can be simply written as $|\phi_s\rangle = \frac{1}{\sqrt{2}}(|\phi_g\rangle|0_e\rangle + |\phi_g^\perp\rangle|1_e\rangle)$, where $|\phi_g^\perp\rangle$ denotes the

states that are orthogonal to the ground state $|\phi_g\rangle$. The environmental basis of $|1_e\rangle$ is dissipated during the evolution and only $|0_e\rangle$ is preserved. Therefore, the ground state of the corresponding Hamiltonian is obtained in the digital quantum simulator³⁴. It is worth to emphasize that this process is only dependent on the Hamiltonian. The general algorithm of ITE for a general Hamiltonian has been demonstrated in investigating algorithmic quantum cooling³⁵.

Here we employ ITE in optical systems, which provide ideal platforms for quantum simulations. They offer good control of their external parameters and they are largely isolated by their environment³⁶. As a proof-of-principle demonstration we map the three-fermion system to the spin model and encode their information in spatial modes. In this way we can experimentally probe the braiding matrix in an all-optical system.

Figure 2 shows the experimental setup for the investigation of the MZMs (see Methods). Our quantum simulator is realized by single photons. The states of three spin-1/2 sites correspond to a 2^3 -dimensional Hilbert space, which are encoded in the optical spatial modes of single photons (the image of the eight optical modes can be found in Supplementary Note 7). The spatial propagation of the photon in one direction is equivalent to the imaginary time evolution of (lower-dimensional) system. It is worth noting that during the mapping between the many-body-to-single-particle Hilbert spaces the notion of locality is lost: excitations that are nearby in the system, which is simulated, do not correspond to nearby spatial modes in the photonic system. Nevertheless, there are intriguing similarities. The basis of the spatial modes of photons is the same as that of the corresponding Hilbert space of three-spin system (see Supplementary Note 6 for more details).

The basis of a spin state can be expressed as the eigenstates of σ^z (denoted by $|z\rangle$, with an eigenvalue of 1, and $|\bar{z}\rangle$, with an eigenvalue of -1), σ^y (denoted by $|y\rangle$, with an eigenvalue of 1, and $|\bar{y}\rangle$ with an eigenvalue of -1) or σ^x (denoted by $|x\rangle$, with an eigenvalue of 1, and $|\bar{x}\rangle$, with an eigenvalue of -1). In our experiment, we employ beam displacers (BDs) of various lengths to prepare the initial states. A BD is a birefringent crystal, in which light beams with horizontal and vertical polarizations are separated by a certain displacement (depending on the length of the crystal)³⁷. Two types of BDs are employed, BD30 (with a beam displacement of 3.0 mm) and BD60 (with a beam displacement of 6.0 mm). The polarization of the photon can be rotated using half-wave plates (HWPs) and the relative amplitudes of the different spatial modes can be conveniently adjusted. To obtain the ground states of the corresponding Hamiltonian, the polarization of the photons is used as the environmental degree of freedom. The coupling between the spatial mode and the polarization is achieved using HWPs, which rotate the polarization in the corresponding paths. Dissipative evolution is accomplished by passing the photons through a polarization beam splitter (PBS), which transmits the horizontal component and reflects the vertical component. In our case, only photons in the optical modes that have horizontal polarizations are preserved; these modes correspond to the ground states of the Hamiltonian. The components with vertical polarizations are completely dissipated. The precision of the dissipative evolution is dependent on the ratio between the reflected and transmitted parts of the vertical polarization after the PBS, which can be higher than 500:1. To ensure dissipative dynamics using a PBS, we must express the input states in the basis of the eigenstates of the corresponding Hamiltonian, which are referred to basis rotations. The eigenstates of $H_0 = -(\sigma_1^x \sigma_2^x + \sigma_2^x \sigma_3^x)$ can be expressed as $\{|xxx\rangle, |xx\bar{x}\rangle, |x\bar{x}x\rangle, |x\bar{x}\bar{x}\rangle, |\bar{x}xx\rangle, |\bar{x}x\bar{x}\rangle, |\bar{x}\bar{x}x\rangle, |\bar{x}\bar{x}\bar{x}\rangle\}$, which are represented by the eight spatial modes of the single photon

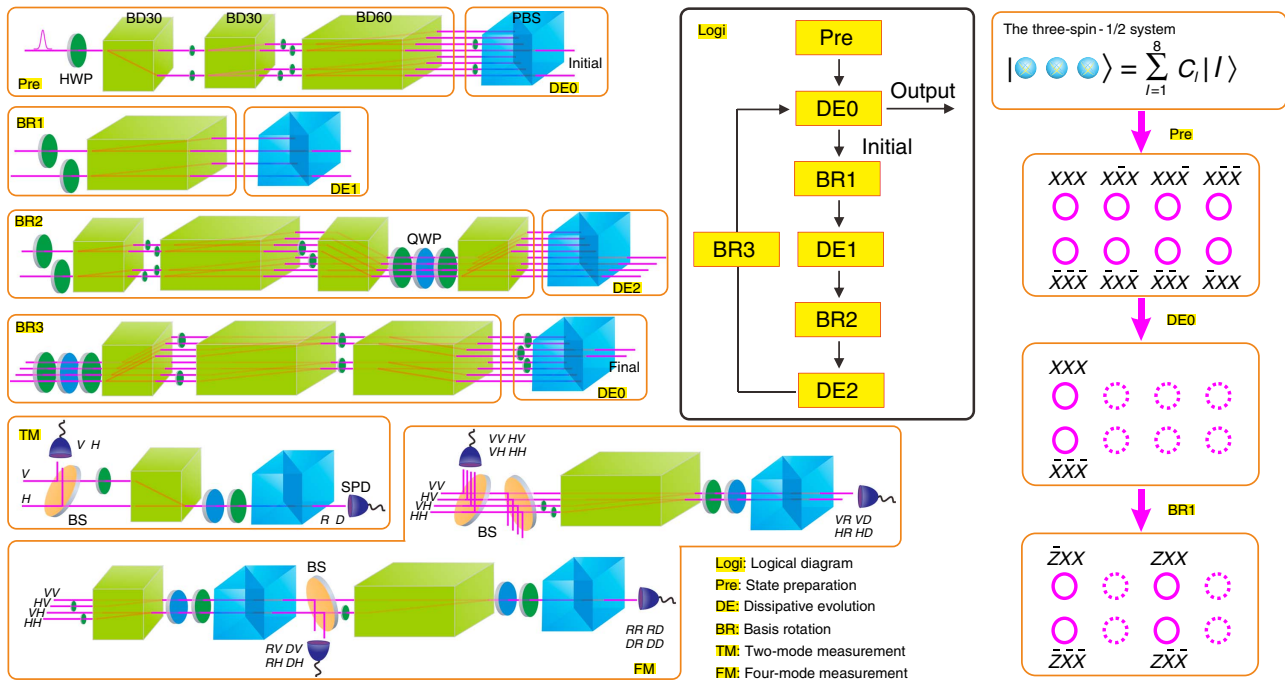


Figure 2 | Experimental setup for the simulation of the exchange of Majorana zero modes. The process follows the logical diagram provided in the pane enclosed by the black solid line, denoted by Logi. The state of the three-spin-1/2 system can be expressed in the eight-dimensional space with the basis denoted by $|I\rangle$ ($I = 1$ to 8), which are encoded as the spatial modes of photons. C_I are the corresponding amplitudes. For the initial Hamiltonian H_0 , the space is expanded by the basis of $|xxx\rangle, |\bar{x}\bar{x}\bar{x}\rangle, |xx\bar{x}\rangle, |\bar{x}\bar{x}\bar{x}\rangle, |\bar{x}\bar{x}\bar{x}\rangle, |\bar{x}\bar{x}\bar{x}\rangle, |\bar{x}\bar{x}\bar{x}\rangle, |\bar{x}\bar{x}\bar{x}\rangle$. The polarization of single photons is rotated using HWPs and quarter-wave plate (QWPs), and the spatial modes are separated by BDs, each with a beam displacement of either 3.0 mm (BD30) or 6.0 mm (BD60). The state preparation is illustrated in the pane labelled Pre. The basis rotations BR1, BR2 and BR3 are used to express the input states in terms of the eigenstates of H_1, H_2 and H_0 , respectively. The dissipative evolutions DE0, DE1 and DE2 drive the input states to the ground states of H_0, H_1 and H_2 , respectively. Some of the detailed basis representations of the spatial modes are given in the right column. The solid magenta rings represent the preserved optical modes and the dashed magenta rings represent the discarded optical modes. The states indicated near the optical modes represent the corresponding preserved basis in the eight-dimensional space. Two types of measurements are performed, that is, TM and FM. Beam splitters (BSs) are used to send the photons to different measurement instruments. H, V, R and D represent the horizontal polarization, vertical polarization, right-hand circular polarization and diagonal polarization, respectively. Finally, photons are detected using single-photon detectors (SPDs).

and are shown in the state preparation pane labelled by Pre in Fig. 2. The corresponding cross-sections of the spatial modes are shown in the right column in Fig. 2. Only the terms of $|xxx\rangle$ and $|\bar{x}\bar{x}\bar{x}\rangle$ are preserved after the ITE operation of H_0 , which corresponds to two spatial modes in the dissipative evolution of DE0. For the ITE operation of $H_1 = -\sigma_1^x \sigma_2^x + 1/2(\sigma_1^z + 1)$, we should only consider the term of $1/2(\sigma_1^z + 1)$ (the term $-\sigma_1^x \sigma_2^x$ is the same as that in H_0). Two HWPs with the angles setting to be 45° in the basis rotation BR1 are implemented in modes of $|xxx\rangle$ and $|\bar{x}\bar{x}\bar{x}\rangle$, in which the basis of the first spin is rotated to $|z\rangle$ and $|\bar{z}\rangle$. The two spatial modes are then separated to four by a BD60 with the spatial modes represented as $|\bar{z}xx\rangle, |zxx\rangle, |\bar{z}\bar{x}\bar{x}\rangle$ and $|z\bar{x}\bar{x}\rangle$. After the dissipative evolution of DE1, only the terms of $|\bar{z}xx\rangle$ and $|z\bar{x}\bar{x}\rangle$ are preserved. The ITE operation of H_2 can be implemented by the same way with the details given in Supplementary Note 6.

To clearly show the two-mode output states, the corresponding density matrices, ρ , are expressed in the basis of $\{I, \sigma^x, \sigma^y, \sigma^z\}$ as follows: $\rho = \frac{1}{2}(I + p_1 \sigma^x + p_2 \sigma^y + p_3 \sigma^z)$. Here I represents the identity operator and p_1, p_2 and p_3 are the corresponding real amplitudes, which uniquely identify density matrices on a Bloch sphere. The initial states after the ITE operation of DE0 is shown in Fig. 3a. The corresponding final states after the operator U_{ex} are illustrated in Fig. 3b. It is shown that the final state is the same as the initial state when the initial state is $|0_{3s}\rangle$ ($\frac{1}{\sqrt{2}}(|xxx\rangle + |\bar{x}\bar{x}\bar{x}\rangle$), denoted as dot 4) or $|1_{3s}\rangle$ ($\frac{1}{\sqrt{2}}(|xxx\rangle - |\bar{x}\bar{x}\bar{x}\rangle$), denoted as

dot 6), which suggests that there is no off-diagonal elements in the braiding matrix, U_{ex} . In addition, the relative geometric phase between $|0_{3s}\rangle$ and $|1_{3s}\rangle$ during the exchanging can be directly measured. Indeed, the final states are obtained by rotating the initial states counterclockwise along the X axis through an angle of $\pi/2$ when the initial state is a superposition state of $|0_{3s}\rangle$ and $|1_{3s}\rangle$, that is, the basis $|0_{3s}\rangle$ obtains an extra phase factor of $-i$ relative to $|1_{3s}\rangle$. Thus, the braiding matrix can be determined by the relative geometric phase giving $U_{ex} = \text{diag}(1, e^{i\pi/2})$. The braiding matrix determined here agrees well with the theoretical result²¹. This implies that any input state $\alpha |xxx\rangle + \beta |\bar{x}\bar{x}\bar{x}\rangle$, with the complex coefficients of α and β ($|\alpha|^2 + |\beta|^2 = 1$), would be transformed to $\frac{1}{\sqrt{2}}(\alpha - i\beta) |xxx\rangle + \frac{1}{\sqrt{2}}(\beta - i\alpha) |\bar{x}\bar{x}\bar{x}\rangle$, that is, the state $\frac{1}{\sqrt{2}}(\alpha + \beta) |0_{3s}\rangle + \frac{1}{\sqrt{2}}(\alpha - \beta) |1_{3s}\rangle$ would be changed to $\frac{1}{\sqrt{2}}(\alpha + \beta) |0_{3s}\rangle + i\frac{1}{\sqrt{2}}(\alpha - \beta) |1_{3s}\rangle$ in the basis of $|0_{3s}\rangle$ and $|1_{3s}\rangle$.

The real and imaginary parts of the experimentally determined operator of the exchange process (the computation basis are represented as $|xxx\rangle$ and $|\bar{x}\bar{x}\bar{x}\rangle$), as determined via the quantum process tomography (represented by Pauli operators $\{I, X(\sigma^x), Y(\sigma^y), Z(\sigma^z)\}$)³⁸, are presented in Fig. 3c,d. The fidelity is calculated to be $94.13 \pm 0.04\%$ (the errors are deduced from the Poissonian photon counting noise and the detailed method is shown in Supplementary Note 8).

If the statistics between the MZMs were Abelian then the braiding matrix between these two degenerate states would have been the identity matrix without any relative phase between the

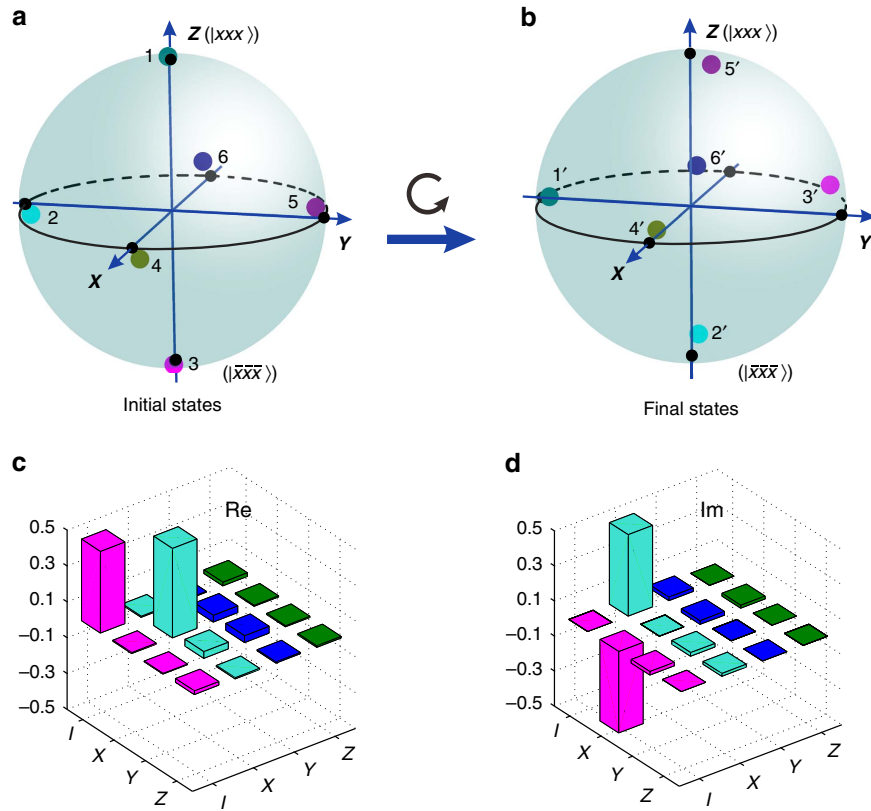


Figure 3 | Experimental results on simulating the braiding evolution. (a) The six experimental initial states after the first dissipative evolution DE0 with the dark green dot labelled as 1, cyan dot labelled as 2, magenta dot labelled as 3, dark yellow dot labelled as 4, violet dot labelled as 5 and navy dot labelled as 6 in the Bloch sphere. (b) The corresponding experimental final states after the second DE0 with the dark green dot labelled as 1', cyan dot labelled as 2', magenta dot labelled as 3', dark yellow dot labelled as 4', violet dot labelled as 5' and navy dot labelled as 6' in the Bloch sphere. The black dots in the poles of the Bloch spheres represent the corresponding theoretical predictions with the states $|xxx\rangle$ ($+\mathbf{Z}$ direction), $\frac{1}{\sqrt{2}}(|xxx\rangle - i|\bar{x}\bar{x}\bar{x}\rangle)$ ($-\mathbf{Y}$ direction), $|\bar{x}\bar{x}\bar{x}\rangle$ ($-\mathbf{Z}$ direction), $\frac{1}{\sqrt{2}}(|xxx\rangle + |\bar{x}\bar{x}\bar{x}\rangle)$ ($+\mathbf{X}$ direction, $|0_{3s}\rangle$), $\frac{1}{\sqrt{2}}(|xxx\rangle + i|\bar{x}\bar{x}\bar{x}\rangle)$ ($+\mathbf{Y}$ direction) and $\frac{1}{\sqrt{2}}(|xxx\rangle - |\bar{x}\bar{x}\bar{x}\rangle)$ ($-\mathbf{X}$ direction, $|1_{3s}\rangle$), respectively. Owing to the experimental errors, the coloured dots (experimental results) are slightly separated from the corresponding black dots. The final states are shown to be rotated along the \mathbf{X} axis by $\pi/2$ from the initial states. (c) Real (Re) and (d) imaginary (Im) parts of the exchange operator in the basis of $\{I(\text{identity}), X(\sigma^x), Y(\sigma^y), Z(\sigma^z)\}$, with a fidelity of $94.13 \pm 0.04\%$.

degenerate basis states. The fact that we obtain a relative phase factor is in agreement with the non-Abelian character of MZMs.

Experimental results on simulating local noises immunity.

We further investigate local noises immunity of the information encoded in the ground space of the KCM. The output state after the dissipative evolution DE0, $\alpha|xxx\rangle + \beta|\bar{x}\bar{x}\bar{x}\rangle$, is treated as the initial state. After the operation of $\frac{1}{4}(i\sigma_1^y\sigma_2^x + \sigma_1^y\sigma_2^y + \sigma_1^x\sigma_2^x - i\sigma_1^x\sigma_2^y)$ (flip-error operator), the two output modes would become eight. The final state is the same as the initial one by projecting the state back to the ground space of H_0 (that is, the operation of DE0 and we omit the unobservable overall phase). Similarly, the initial two output modes ($\alpha|xxx\rangle + \beta|\bar{x}\bar{x}\bar{x}\rangle$) become four modes after the local phase noise operation of $\frac{1}{2}(\sigma_1^z + 1)$. The final state is projected back to the initial one with the ITE operation of $e^{-H_0 t}$ (see Supplementary Note 6 for more details). In our experiment, the system is subjected to a projection back onto the initial state after applying the errors. By doing so, the success probability is small, as the preserved state is just a fraction of the total state. However, it serves well for establishing the technology and methodology for the in-principle demonstration of the anyonic physics. Figure 4a,b show the real and imaginary parts of the flip-error protection operator with a fidelity of $97.91 \pm 0.03\%$. Figure 4c,d show the real and imaginary parts of the phase-error

protection operator with a fidelity of $96.99 \pm 0.04\%$. The errors of the fidelity values are deduced from the Poissonian photon counting noise. This fact reveals the protection from the local flip error and phase error in the KCM. The total operation behaves as an identity, thus demonstrating immunity against noise. More experimental results can be found in Supplementary Note 9.

In general, the fidelity of protection operators are also affected by the noises without Z_2 symmetry and the evolution time in the ITE. Owing to the fact that the environment can be well controlled in our optical simulator, the setup established here can also be used to investigate the effect of the noise without Z_2 symmetry in the ground space of the TFIM. Our simulator offers the possibility to study the effect of other types of noise, which can be presented in the real system supporting MZMs (superconductor-based system). A central advantage of the optical simulation is that all the implementations can be realized with high precision.

Discussion

In this study we experimentally investigated the physics of MZMs emerging in the KCM by simulating it with an equivalent photonic system. The photonic quantum simulator, which employs a set of projective measurements, represents a general and powerful approach to directly study quantum evolutions.

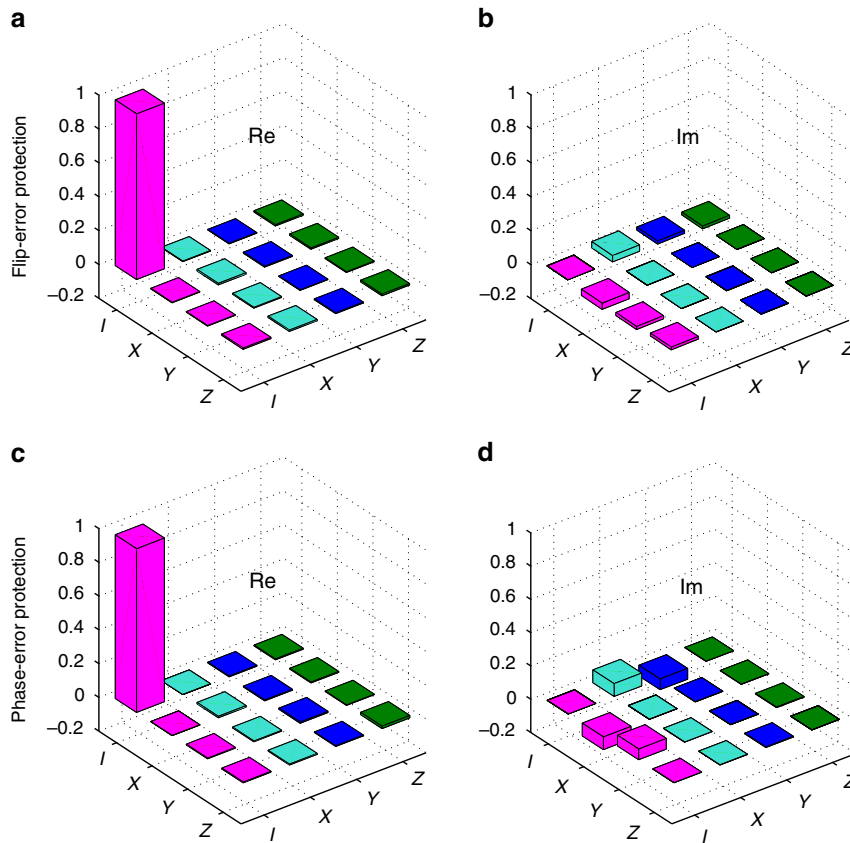


Figure 4 | Experimental results on simulating local noises immunity. (a) Real (Re) and (b) imaginary (Im) parts of the flip-error protection operator, with a fidelity of $97.91 \pm 0.03\%$. (c). Real (Re) and (d) imaginary (Im) parts of the phase-error protection operator, with a fidelity of $96.99 \pm 0.04\%$. The basis are expressed as $\{I(\text{identity}), X(\sigma^x), Y(\sigma^y), Z(\sigma^z)\}$.

We were able to transport two MZMs at the endpoints of a chain and measure the geometric phases resulting from their exchange. Moreover, we experimentally demonstrated that the degenerate subspace of the MZMs is resilient against local perturbations.

Our simulation is based on a non-local JW transformation that maps the fermionic KCM to an equivalent spin model. This transformation, although it changes the states of the system, does not alter the associated unitary evolutions, thus allowing us to measure directly the braiding matrix of MZMs. The appeal of our photonic quantum simulator is based on the fact that it allows for the transport of MZMs. It offers the exciting future possibility to investigate the braiding character of multi-MZM systems and demonstrate their non-Abelian statistics.

Applications towards topological quantum computation may be possible by employing the versatile and well-controlled optical quantum simulator presented here. MZMs and their braiding cannot be used to perform universal quantum computations¹⁵. However, one can envision implementing specifically tailored quantum algorithms, such as the Deutsch–Jozsa algorithm³⁹ where the information will be topologically protected during the whole process.

Owing to the fact that we encode the multi-site spin-1/2 system in the spatial modes of a single photon, the scalability of this method is limited. Nevertheless, it serves well for demonstrating the fundamental statistical properties and robustness of MZMs with such a small system size. Our main focus is on the physics and establishing the technology and the methodology. The gained knowhow (investigating the braiding of anyonic quasiparticles through the ITE) can be picked up by other technologies that

offer scalability, such as the trapped ions¹³ or Josephson junctions¹⁴ system.

Methods

The ITE operator on states. For a given Hamiltonian H with a complete set of eigenstates $|e_k\rangle$ and the corresponding eigenvalues E_k , any arbitrary pure state $|\phi\rangle$ can be expressed as

$$|\phi\rangle = \sum_k q_k |e_k\rangle, \tag{4}$$

with q_k representing the corresponding complex amplitude. Here we focus on pure states, but the argument is also valid for mixed states. The corresponding ITE operator (U)²⁸ on the state becomes

$$U|\phi\rangle = \exp(-H * t) \sum_k q_k |e_k\rangle = \sum_k q_k \exp(-tE_k) |e_k\rangle. \tag{5}$$

The evolution time t is chosen to be 5 in our analysis, which is long enough to drive the input state to the ground state of H . After the ITE, the amplitude q_k is changed to be $q_k \exp(-5E_k)$. We can see that the decay of the amplitude is strongly (exponentially) dependent on the energy: the higher the energy, the faster the decay of the amplitude. Therefore, only the ground states (with lowest energy) survives during the evolution. Furthermore, due to the fact that the Hamiltonian H_0, H_1 and H_2 can be divided into two commuting parts, we can separate each ITE operator to two ITE operators whose eigenvectors can be directly obtained (see equation (3)).

Experimental process in probing braiding characteristics. The experimental setup for probing braiding characteristics is shown in Fig. 2. The process follows the logical diagram presented in the pane enclosed in the black solid line, denoted by Logi. The setup used to prepare the input state is illustrated in the pane labelled Pre. For simplicity, at the beginning of the evolution, all three qubits are expressed in the basis of σ^x , in which the ground states of H_0 are encoded in the two spatial modes $|xxx\rangle$ and $|\bar{x}\bar{x}\bar{x}\rangle$. The dissipative evolution of H_0 with arbitrary input states is illustrated in the pane labelled DE0, the output state of which is treated as the

initial state. The basis rotation BR1 is employed and the subsequent dissipative evolution (DE1) should drive the state to approximate the ground state of H_1 .

After BR2 and DE2, the two input modes are expanded to four output modes, which are then sent to BR3, to implement the dissipative evolution DE0. In our experiment, we perform two types of measurements, that is, a two-mode measurement (TM) and a four-mode measurement (FM). The initial states, which contain spatial information, are transformed into states that contain polarization information, on which standard quantum-state tomography of polarization states can be performed. The TM corresponds to the tomography of the polarization states of a single qubit, for which four types of polarization measurements are required: horizontal polarization (H), vertical polarization (V), right-hand circular polarization ($R = 1/\sqrt{2}(H - iV)$) and diagonal polarization ($D = 1/\sqrt{2}(H + V)$). The polarization-analysis setup is constructed using a quarter-wave plate, a HWP and a PBS. The photon is then detected using a single-photon detector. Similarly, the FM corresponds to the measurement of 2-qubit polarization states and 16 measurements are required. In the TM and FM, beam splitters are used to send photons to different measurement instruments. The preparation of the initial states for the demonstration of noise immunity is the same as is shown in Pre and DE0. The disturbance operation is then implemented. After a second DE0, a TM is used to reconstruct the final states (see Supplementary Notes 10 and 11 for more details).

Data availability. The data that support the findings of this study are available from the authors on request.

References

- Wilczek, F. & Zee, A. Appearance of gauge structure in simple dynamical systems. *Phys. Rev. Lett.* **52**, 2111–2114 (1984).
- Nayak, C. S., Stern, S. H., Freedman, A. & Sarma, D. S. Non-abelian anyons and topological quantum computation. *Rev. Mod. Phys.* **80**, 1083–1159 (2008).
- Fu, L. & Kane, C. Superconducting proximity effect and Majorana fermions at the surface of a topological insulator. *Phys. Rev. Lett.* **100**, 096407 (2008).
- Sau, J. D. L., Tewar, R. M. & Sarma, D. S. Generic new platform for topological quantum computation using semiconductor heterostructures. *Phys. Rev. Lett.* **104**, 040502 (2010).
- Kitaev, A. Y. Unpaired Majorana fermions in quantum wires. *Phys. Usp.* **44**, 131–136 (2001).
- Mourik, V. *et al.* Signatures of Majorana fermions in hybrid superconductor-semiconductor nanowire devices. *Science* **336**, 1003–1007 (2012).
- Deng, M. T. *et al.* Anomalous zero-bias conductance peak in a Nb-InSb nanowire-Nb hybrid device. *Nano. Lett.* **12**, 6414–6419 (2012).
- Rokhinson, L. P., Liu, X. & Furdyndy, J. K. The fractional a.c. Josephson effect in a semiconductor-superconductor nanowire as a signature of Majorana particles. *Nat. Phys.* **8**, 795–799 (2012).
- Mebrahtu, H. T. *et al.* Observation of Majorana quantum critical behaviour in a resonant level coupled to a dissipative environment. *Nat. Phys.* **9**, 732–737 (2013).
- Nadj-Perge, S. *et al.* Observation of Majorana fermions in ferromagnetic atomic chains on a superconductor. *Science* **346**, 602–607 (2014).
- Lee, E. J. H. *et al.* Spin-resolved Andreev levels and parity crossings in hybrid superconductor-semiconductor nanostructures. *Nat. Nano* **9**, 79–84 (2014).
- Georgescu, I. M., Ashhab, S. & Nori, F. Quantum simulation. *Rev. Mod. Phys.* **86**, 153–185 (2013).
- Barreiro, J. T. *et al.* An open-system quantum simulator with trapped ions. *Nature* **470**, 486–491 (2011).
- Devoret, M. H. Superconducting circuit for quantum information: and outlook. *Science* **339**, 1169–1174 (2013).
- Kitaev, A. & Laumann, C. in *Exact Methods in Low-dimensional Physics and Quantum Computing: Lecture Notes of the Les Houches Summer School* (eds Jacobsen J. *et al.*) Ch. 4 (Oxford Univ. Press, 2010).
- Fendley, P. Parafermionic edge zero modes in Z_n -invariant spin chains. *J. Stat. Mech.* **11**, P11020 (2012).
- Alicea, J. & Fendley, P. Topological phases with parafermions: theory and blueprints. *Annu. Rev. Cond. Matter Phys.* **7**, 119–139 (2016).
- Kells, G. *et al.* Topological degeneracy and vortex manipulation in Kitaev's honeycomb model. *Phys. Rev. Lett.* **101**, 240404 (2008).
- Jordan, P. & Wigner, E. Über das Paulische Äquivalenzverbot. *Z. Phys.* **47**, 631–651 (1928).
- Pachos, J. K. *Introduction to Topological Quantum Computation* (Cambridge Univ. Press, 2012).
- Alicea, J. O., Refael, Y., Oppen, G. & Fisher, M. P. A. Non-Abelian statistics and topological quantum information processing in 1D wire networks. *Nat. Phys.* **7**, 412–417 (2011).
- Lahtinen, V. & Pachos, J. K. Non-Abelian statistics as a Berry phase in exactly solvable models. *New J. Phys.* **11**, 093027 (2009).
- Berry, M. V. Quantal phase factors accompanying adiabatic changes. *Proc. R. Soc. Lond. Ser. A* **392**, 45–57 (1984).
- Pancharatnam, S. Generalized theory of interference, and its applications. *Proc. Ind. Acad. Sci. A* **44**, 247–262 (1956).
- Bargmann, V. Note on Wigner's theorem on symmetry operations. *J. Math. Phys.* **5**, 862–868 (1964).
- Simon, R. & Mukunda, N. Bargmann invariant and the geometry of the G \ddot{u} oy effect. *Phys. Rev. Lett.* **70**, 880–883 (1993).
- Aharonov, Y. & Anandan, J. Phase change during a cyclic quantum evolution. *Phys. Rev. Lett.* **58**, 1593–1596 (1987).
- Vidal, G. Classical simulation of infinite-size quantum lattice systems in one spatial dimension. *Phys. Rev. Lett.* **98**, 070201 (2007).
- Kapit, E., Ginsparg, P. & Mueller, E. Non-Abelian braiding of lattice bosons. *Phys. Rev. Lett.* **108**, 066802 (2012).
- Verstraete, F., Wolf, M. M. & Cirac, J. I. Quantum computation and quantum-state engineering driven by dissipation. *Nat. Phys.* **5**, 633–636 (2009).
- Greiter, M., Schnells, V. & Thomale, R. The 1D Ising model and the topological phase of the Kitaev chain. *Ann. Phys.* **351**, 1026–1033 (2014).
- Freeman, C. D., Herdman, C. M. & Whaley, K. B. Engineering autonomous error correction in stabilizer codes at finite temperature. Preprint at <https://arxiv.org/abs/1603.05005> (2016).
- Rainis, D. & Loss, D. Majorana qubit decoherence by quasiparticle poisoning. *Phys. Rev. B* **85**, 174533 (2012).
- Barz, S. *et al.* Linear-optical generation of eigenstates of the two-site XY model. *Phys. Rev. X* **5**, 021010 (2015).
- Xu, J.-S. *et al.* Demon-like algorithmic quantum cooling and its realization with quantum optics. *Nat. Photonics* **8**, 113–118 (2014).
- Aspuru-Guzik, A. & Walther, P. Photonic quantum simulators. *Nat. Phys.* **8**, 285–291 (2012).
- Kitagawa, T. *et al.* Observation of topologically protected bound states in photonic quantum walks. *Nat. Commun.* **3**, 882 (2012).
- O'Brien, J. L. *et al.* Quantum process tomography of a controlled-NOT gate. *Phys. Rev. Lett.* **93**, 080502 (2004).
- Kraus, C. V., Zoller, P. & Baranov, M. A. Braiding of atomic majorana fermions in wire networks and implementation of the Deutsch-Jozsa algorithm. *Phys. Rev. Lett.* **111**, 203001 (2013).

Acknowledgements

This work was supported by the National Key Research and Development Program of China (Grants Number 2016YFA0302700), the Strategic Priority Research Program (B) of the Chinese Academy of Sciences (Grant Number XDB01030300), National Natural Science Foundation of China (Grant Numbers 11274297, 11105135, 11474267, 11004185, 60921091, 11274289, 10874170, 61322506, 11325419 and 61327901), the Fundamental Research Funds for the Central Universities (Grant Number WK2470000020), Youth Innovation Promotion Association and Excellent Young Scientist Program CAS, Program for New Century Excellent Talents in University (NCET-12-0508) and Science foundation for the excellent PHD thesis (Grant Number 201218).

Author contributions

Y.-J.H. constructed the theoretical scheme. J.-S.X. and C.-F.L. designed the experiment. K.S. and J.-S.X. performed the experiment. J.K.P. contributed to the theoretical analysis. J.-S.X., Y.-J.H. and J.K.P. wrote the manuscript. Y.-J.H. supervised the theoretical part of the project. C.-F.L. and G.-C.G. supervised the project. All authors read the paper and discussed the results.

Additional information

Supplementary Information accompanies this paper at <http://www.nature.com/naturecommunications>

Competing financial interests: The authors declare no competing financial interests.

Reprints and permission information is available online at <http://npg.nature.com/reprintsandpermissions/>

How to cite this article: Xu, J.-S. *et al.* Simulating the exchange of Majorana zero modes with a photonic system. *Nat. Commun.* **7**, 13194 doi: 10.1038/ncomms13194 (2016).



This work is licensed under a Creative Commons Attribution 4.0 International License. The images or other third party material in this article are included in the article's Creative Commons license, unless indicated otherwise in the credit line; if the material is not included under the Creative Commons license, users will need to obtain permission from the license holder to reproduce the material. To view a copy of this license, visit <http://creativecommons.org/licenses/by/4.0/>

© The Author(s) 2016