



THE UNIVERSITY *of* EDINBURGH

Edinburgh Research Explorer

The Extended Clinical Phenotype of 26 Patients with Chronic Mucocutaneous Candidiasis due to Gain-of-Function Mutations in STAT1

Citation for published version:

Depner, M, Fuchs, S, Raabe, J, Frede, N, Glocker, C, Doffinger, R, Gkrania-Klotsas, E, Kumararatne, D, Atkinson, TP, Schroeder, HW, Niehues, T, Dücker, G, Stray-Pedersen, A, Baumann, U, Schmidt, R, Franco, JL, Orrego, J, Ben-Shoshan, M, McCusker, C, Jacob, CMA, Carneiro-Sampaio, M, Devlin, LA, Edgar, JDM, Henderson, P, Russell, RK, Skytte, A-B, Seneviratne, SL, Wanders, J, Stauss, H, Meyts, I, Moens, L, Jesenak, M, Kobbe, R, Borte, S, Borte, M, Wright, DA, Hagin, D, Torgerson, TR & Grimbacher, B 2016, 'The Extended Clinical Phenotype of 26 Patients with Chronic Mucocutaneous Candidiasis due to Gain-of-Function Mutations in STAT1' *Journal of clinical & cellular immunology*, vol. 36, no. 1, pp. 73-84. DOI: 10.1007/s10875-015-0214-9

Digital Object Identifier (DOI):

[10.1007/s10875-015-0214-9](https://doi.org/10.1007/s10875-015-0214-9)

Link:

[Link to publication record in Edinburgh Research Explorer](#)

Document Version:

Publisher's PDF, also known as Version of record

Published In:

Journal of clinical & cellular immunology

Publisher Rights Statement:

This article is distributed under the terms of the Creative Commons Attribution 4.0 International License (<http://creativecommons.org/licenses/by/4.0/>), which permits unrestricted use, distribution, and reproduction in any medium, provided you give appropriate credit to the original author(s) and the source, provide a link to the Creative Commons license, and indicate if changes were made.

General rights

Copyright for the publications made accessible via the Edinburgh Research Explorer is retained by the author(s) and / or other copyright owners and it is a condition of accessing these publications that users recognise and abide by the legal requirements associated with these rights.

Take down policy

The University of Edinburgh has made every reasonable effort to ensure that Edinburgh Research Explorer content complies with UK legislation. If you believe that the public display of this file breaches copyright please contact openaccess@ed.ac.uk providing details, and we will remove access to the work immediately and investigate your claim.



The Extended Clinical Phenotype of 26 Patients with Chronic Mucocutaneous Candidiasis due to Gain-of-Function Mutations in *STAT1*

Mark Depner¹ · Sebastian Fuchs^{1,2} · Jan Raabe¹ · Natalie Frede¹ · Cristina Glocker¹ · Rainer Doffinger³ · Effrossyni Gkrania-Klotsas³ · Dinakantha Kumararatne³ · T. Prescott Atkinson⁴ · Harry W. Schroeder Jr.⁴ · Tim Niehues⁵ · Gregor Dückers⁵ · Asbjørg Stray-Pedersen⁶ · Ulrich Baumann⁷ · Reinhold Schmidt⁷ · Jose L. Franco⁸ · Julio Orrego⁸ · Moshe Ben-Shoshan⁹ · Christine McCusker⁹ · Cristina Miuki Abe Jacob¹⁰ · Magda Carneiro-Sampaio¹⁰ · Lisa A. Devlin¹¹ · J. David M. Edgar^{11,12} · Paul Henderson¹³ · Richard K. Russell¹⁴ · Anne-Bine Skytte¹⁵ · Suranjith L. Seneviratne¹⁶ · Jennifer Wanders¹⁶ · Hans Stauss¹⁶ · Isabelle Meyts¹⁷ · Leen Moens¹⁸ · Milos Jesenak¹⁹ · Robin Kobbe²⁰ · Stephan Borte^{21,22} · Michael Borte²¹ · Dowain A. Wright²³ · David Hagin²⁴ · Troy R. Torgerson²⁵ · Bodo Grimbacher^{1,16,26}

Received: 20 June 2014 / Accepted: 9 June 2015 / Published online: 25 November 2015
© The Author(s) 2015. This article is published with open access at Springerlink.com

Abstract

Purpose Gain-of-function (GOF) mutations in the signal transducer and activator of transcription 1 (*STAT1*) result

in unbalanced *STAT* signaling and cause immune dysregulation and immunodeficiency. The latter is often characterized by the susceptibility to recurrent *Candida*

✉ Bodo Grimbacher
bodo.grimbacher@uniklinik-freiburg.de

¹ Center for Chronic Immunodeficiency, University Medical Center Freiburg, Engesser Straße 4, 79108 Freiburg, Germany

² Faculty of Biology, University of Freiburg, Freiburg, Germany

³ Addenbrooke's Hospital, Cambridge, UK

⁴ University of Alabama at Birmingham, Birmingham, USA

⁵ Helios Kliniken, Childrens Hospital, Krefeld, Germany

⁶ Department of Medical Genetics, Oslo University Hospital, Oslo, Norway

⁷ Medical University of Hannover, Hannover, Germany

⁸ Group of Primary Immunodeficiencies, Universidad de Antioquia, Medellin, Colombia

⁹ Division of Pediatric Allergy and Clinical Immunology, McGill University Health Center, Montreal, QC, Canada

¹⁰ University of São Paulo, São Paulo, Brazil

¹¹ Immunology Day Centre, Royal Group of Hospitals, Belfast, UK

¹² Queen's University Belfast, Belfast, UK

¹³ Child Life and Health, University of Edinburgh, Edinburgh, UK

¹⁴ Department of Paediatric Gastroenterology, Royal Hospital for Sick Children, Glasgow, UK

¹⁵ Department of Genetics, Aarhus University Hospital, Aarhus, Denmark

¹⁶ Royal Free Hospital, University College London, London, UK

¹⁷ Department of Pediatrics, University Hospitals Leuven, Leuven, Belgium

¹⁸ Department of Microbiology and Immunology, Experimental Laboratory Immunology, Katholieke Universiteit Leuven, Leuven, Belgium

¹⁹ Center for Diagnosis and Treatment of Primary Immunodeficiencies, Department of Pediatrics, Jessenius Faculty of Medicine, Comenius University in Bratislava, Martin, Slovak Republic

²⁰ Department of Paediatrics, University Medical Center Hamburg-Eppendorf, Hamburg, Germany

²¹ Immuno Deficiency Center Leipzig, Clinic St. Georg, Leipzig, Germany

²² Translational Centre for Regenerative Medicine, University Leipzig, Leipzig, Germany

²³ Division of Rheumatology and Immunology, Children's Hospital Central California, Madera, CA, USA

²⁴ University of Washington and Seattle Children's Research Institute, Seattle, WA, USA

²⁵ Department of Pediatrics and Immunology, University of Washington, Seattle, WA, USA

²⁶ DZIF Center, Standort Freiburg, Germany

infections, resulting in the clinical picture of chronic mucocutaneous candidiasis (CMC). This study aims to assess the frequency of GOF *STAT1* mutations in a large international cohort of CMC patients.

Methods *STAT1* was sequenced in genomic DNA from 57 CMC patients and 35 healthy family members. The functional relevance of nine different *STAT1* variants was shown by flow cytometric analysis of *STAT1* phosphorylation in patients' peripheral blood cells (PBMC) after stimulation with interferon (IFN)- α , IFN- γ or interleukin-27 respectively. Extended clinical data sets were collected and summarized for 26 patients.

Results Heterozygous mutations within *STAT1* were identified in 35 of 57 CMC patients (61 %). Out of 39 familial cases from 11 families, 26 patients (67 %) from 9 families and out of 18 sporadic cases, 9 patients (50 %) were shown to have heterozygous mutations within *STAT1*. Thirteen distinct *STAT1* mutations are reported in this paper. Eight of these mutations are known to cause CMC (p.M202V, p.A267V, p.R274W, p.R274Q, p.T385M, p.K388E, p.N397D, and p.F404Y). However, five *STAT1* variants (p.F172L, p.Y287D, p.P293S, p.T385K and p.S466R) have not been reported before in CMC patients.

Conclusion *STAT1* mutations are frequently observed in patients suffering from CMC. Thus, sequence analysis of *STAT1* in CMC patients is advised. Measurement of IFN- or IL-induced *STAT1* phosphorylation in PBMC provides a fast and reliable diagnostic tool and should be carried out in addition to genetic testing.

Keywords Chronic mucocutaneous candidiasis · CMC · primary immunodeficiency · PID · signal transducer and activator of transcription 1 · *STAT1* · gain-of-function · GOF · phosphorylation

Introduction

Chronic mucocutaneous candidiasis (CMC) constitutes a collective term for a heterogeneous group of syndromes with the common feature of chronic non-invasive *Candida* infections of the skin, nails and mucous membranes, primarily with *Candida albicans*. Reasons behind the susceptibility to *Candida* infections are manifold. Infection with the human immunodeficiency virus as well as the prolonged use of glucocorticoids or antibiotics predispose to fungal infections, but the disease may also manifest as part of rare primary immunodeficiencies caused by monogenic Mendelian traits affecting the cell-mediated immunity necessary for fighting *Candida* infections [1–4]. CMC presents heterogeneously both in clinical manifestations and genetic background, however, studies conducted so far emphasize the key role of T helper 17 (Th17) cells and the impaired effector function of their cytokines

interleukin 17 (IL-17) and interleukin 22 (IL-22). These cytokines have been shown to be essential for mucocutaneous anti-fungal host defense [5–7]. Indeed, patients with the autosomal dominant form of hyper IgE syndrome (HIES) have severely reduced numbers of IL-17 producing circulating T cells due to dominant-negative mutations of the signal transducer and activator of transcription 3 (*STAT3*), and often suffer from CMC [8–11]. CMC has also been reported in a large multiplex kindred segregating an autosomal recessive mutation in the caspase recruitment domain-containing protein 9 (*CARD9*). Other important infectious phenotypes reported in this family were dermatophytosis and *Candida* meningitis [12]. Patients with autoimmune polyendocrinopathy candidiasis and ectodermal dystrophy (APECED)-syndrome bearing biallelic mutations in the autoimmune regulator (*AIRE*) gene are as well susceptible to *Candida* infections but no other pathogens. These patients have high titers of neutralizing autoantibodies against IL-17A, IL-17F and IL-22 [13–15]. Patients with heterozygous *IL17F* mutations and homozygous *IL17RA* or *IL17RC* mutations have impaired IL-17 signaling and suffer from CMC [16, 17]. Furthermore, a biallelic *ACT1* deficiency has been shown to underlie one consanguineous CMC family [18]. Finally, gain-of-function (GOF) missense mutations in the signal transducer and activator of transcription 1 (*STAT1*) were shown to cause autosomal dominant familial CMC, often associated with thyroid disease, and represent the most common genetic etiology of CMC [19, 20]. The majority of GOF-*STAT1* mutations are confined to the coiled-coil domain (CCD) of *STAT1*, however, several other GOF mutations have been found in the DNA-binding domain (DBD) [19–33]. Besides increasing the susceptibility to candidiasis, several *STAT1* GOF mutations are also associated with other fungal infections such as coccidioidomycosis or histoplasmosis [34]. Analysis of mutated *STAT1* proteins revealed a prolonged phosphorylation leading to prolonged transcription factor activity. Increased *STAT1* responses to the interferons α/β and γ as well as IL-27 were shown to repress the differentiation of IL-17 producing T cells through mechanisms that are not yet completely understood [20, 24, 26]. The identification of genetic defects in patients with CMC offers the opportunity to confirm the diagnosis in both familial and sporadic CMC patients, to provide genetic counseling, and to enable a more precise classification of CMC. In this study, we have explored the frequency of *STAT1* mutations in a large cohort of 92 individuals consisting of 57 patients with CMC (39 familial cases and 18 sporadic cases) and 35 healthy relatives from 11 unrelated families. We analyzed patients and healthy family members in order to elucidate the underlying genetic defect and tested interferon (IFN)- and IL-stimulated *STAT1* phosphorylation in patients' peripheral blood cells by flow cytometric analysis. We compiled an in depth description of the *STAT1* clinical CMC phenotype in order to provide a clear clinical picture for this condition.

Methods

Patients and Controls

Inclusion criteria for this study were i) the clinical diagnosis of CMC according to the referring immunologist, ii) the availability of genomic DNA, and iii) a signed consent form for genetic research. Candidiasis was proven by swab, biopsy, or the combination of both in at least one affected family member and in every sporadic patient. The study was approved by the local ethics review boards of the University College London and the University Medical Center Freiburg. Three of the 11 families originated from Germany and three other families from Norway. One family each came from Brazil, Canada, Colombia, Slovakia and the USA. Additionally, we included six sporadic patients from the UK, three from Germany, two respectively from Colombia and Belgium and one patient each from Brazil, Canada, Denmark, India and the USA (Table 1). Due to unavailability of previous clinical data and loss-to-follow up of several patients, the clinical analysis was limited to 26 of 35 patients carrying heterozygous *STAT1* mutations.

PCR and Sequencing Analysis

Genomic DNA of patients and family members was isolated from whole blood (Gentra Puregene purification kit, Qiagen, Crawley, United Kingdom). To assess the presence of *STAT1* mutations, all coding exons of *STAT1* were amplified by PCR according to standard protocols with Taq polymerase (PeqLab, Fareham, United Kingdom). PCR products were purified using shrimp alkaline phosphatase (Promega, Madison, Mich) and Exonuclease I (Thermo Scientific, Waltham, Mass). Primer sequences and PCR amplification conditions are available on request. The amplified DNA fragments were subsequently sequenced with the ABI PRISM BigDye Terminator kit v3.1 (Applied Biosystems, Foster City, Calif). Sequencing was performed using the 3130xl Applied Biosystems Genetic Analyzer, DNA Sequencing Analysis software, version 5.2 (Applied Biosystems), and Sequencher, version 4.8 (Gene Codes Corp, Ann Arbor, Mich).

STAT1 Phosphorylation

Peripheral blood mononuclear cells (PBMC) were isolated from EDTA-blood by Ficoll centrifugation. Intracellular monocyte staining: 1×10^6 PBMC were stimulated for 15 min at 37 °C with IFN- α (500 U/ml; Miltenyi Biotec) or IFN- γ (100 ng/ml; Miltenyi Biotec). Intracellular CD4 staining: PBMC were first stained with anti-CD4 (Ansell; clone QS4120) and then stimulated at 37 °C with either IL-27 (200 ng/ml) or IFN- α (10,000 U/ml) for 7.5 min, 15 min

and 30 min. Stimulation was stopped by adding lysis and fixation buffer (Phosflow lyse/fix; BD) followed by incubation for 10 min at 37 °C. Cells were permeabilized for 30 min on ice with pre-cooled Phosflow PermIII buffer (BD) prior to staining with anti-phospho-STAT1 (pY701) (BD; clone 4a) and anti-CD14, when monocytes were studied (Beckman Coulter; clone RMO52). Data acquisition was done using either Navios flow cytometer (Beckman Coulter) or BD LSR II (BD Biosciences). FlowJo v7.2.5/v10.0.7 (Treestar) was used for data analysis.

Results

Identification of STAT1 Mutations in 61 % of all CMC Patients

Of the 57 patients with a clinical diagnosis of CMC, a total of 35 (61 %) had heterozygous mutations in *STAT1* (Fig. 1, Table 1); 26 of these cases were familial, affecting 9 of 11 families (82 %), whereas 9 of 18 sporadic cases (50 %) had *STAT1* mutations. In one sporadic patient, we identified the variation p.V266I, which has a minor allele frequency of 0.1 % and is listed on dbSNP as “rs41473544”. We classified this variant as not associated with CMC, as its functional testing did not show STAT1 hyper-phosphorylation (see below). In contrast, 22 patients (13 familial and 9 sporadic) as well as 34 of 35 healthy family members did not show any mutation in the coding regions of *STAT1* or their flanking intronic sequences. Interestingly, one so far healthy 77-year-old female family member was identified as a carrier of the mutation p.R274Q, passing the mutation on to at least three offspring, all affected by CMC. Ten CMC patients from families Fam10 and Fam11 did not harbor a mutation in *STAT1*. Moreover, three patients from Fam02 in which the mutation p.A267V segregated in four other family members (a father and his three children) did not have a *STAT1* mutation. These three patients were subsequently classified as phenocopies. Patients without *STAT1* mutation were analyzed by next generation sequencing for *CARD9*, *IL17F*, *IL17RA*, *IL17RB*, *AIRE* and *ACT1*, but no mutation was found in these genes. Overall, we found thirteen distinct heterozygous *STAT1* mutations (Table 1, Fig. 2). Eight of these have been described previously: p.M202V, p.A267V, p.R274W, p.R274Q, p.T385M, p.K388E, p.N397D and p.F404Y [19–26, 28, 30, 31]; six patients had five distinct, novel mutations: p.F172L, p.Y287D, p.T385K, p.P293S and p.S466R, that have not been reported in CMC patients before. While we reported the mutation p.F404Y recently [25], we demonstrate the functional proof of the GOF activity of this mutation below. None of the newly identified mutations is present in the population-variation data sets 1000 Genomes

Table 1 CMC cohort, *STAT1* mutations

ID	Origin	Investigated CMC patients	Mutation carriers	Invest. healthy members	Mutation carriers	Affected domain	Affected exon	BP change	AA change
Families									
Fam01	BRA	2	2	0	0	Coiled-coil	8	c.604A>G	p.M202V
Fam02	USA	7	4	6	0	Coiled-coil	10	c.800C>T	p.A267V
Fam03	NOR	3	3	8	0	Coiled-coil	10	c.800C>T	p.A267V
Fam04	NOR	3	3	7	0	Coiled-coil	10	c.820C>T	p.R274W
Fam05	GER	3	3	0	0	Coiled-coil	10	c.820C>T	p.R274W
Fam06	GER	4	4	3	1	Coiled-coil	10	c.821G>A	p.R274Q
Fam07	SVK	2	2	1	0	Coiled-coil	10	c.877C>T	p.P293S
Fam08	GER	2	2	0	0	DNA-binding	14	c.1189A>G	p.N397D
Fam09	CAN	3	3	0	0	DNA-binding	14	c.1211 T>A	p.F404Y
Fam10	NOR	3	0	6	0	No mutation found	n.a.	n.a.	n.a.
Fam11	COL	7	0	4	0	No mutation found	n.a.	n.a.	n.a.
Total		39	26	35	1				
Sporadic patients									
Spor01	GER	1	1	n.a.	n.a.	Coiled-coil	7	c.514 T>C	p.F172L
Spor02	UK	1	1	n.a.	n.a.	Coiled-coil	10	c.859 T>G	p.Y287D
Spor03	BEL	1	1	n.a.	n.a.	DNA-binding	14	c.1154C>T	p.T385M
Spor04	BRA	1	1	n.a.	n.a.	DNA-binding	14	c.1154C>T	p.T385M
Spor05	COL	1	1	n.a.	n.a.	DNA-binding	14	c.1154C>T	p.T385M
Spor06	GER	1	1	n.a.	n.a.	DNA-binding	14	c.1154C>T	p.T385M
Spor07	USA	1	1	n.a.	n.a.	DNA-binding	14	c.1154C>A	p.T385K
Spor08	BEL	1	1	n.a.	n.a.	DNA-binding	14	c.1162A>G	p.K388E
Spor09	UK	1	1	n.a.	n.a.	DNA-binding	17	c.1398C>G	p.S466R
Spor10	UK	1	0	n.a.	n.a.	(Coiled-coil)	(10)	(c.796G>A)	(p.V266I)
Spor11	UK	1	0	n.a.	n.a.	No mutation found	n.a.	n.a.	n.a.
Spor12	UK	1	0	n.a.	n.a.	No mutation found	n.a.	n.a.	n.a.
Spor13	DEN	1	0	n.a.	n.a.	No mutation found	n.a.	n.a.	n.a.
Spor14	COL	1	0	n.a.	n.a.	No mutation found	n.a.	n.a.	n.a.
Spor15	CAN	1	0	n.a.	n.a.	No mutation found	n.a.	n.a.	n.a.
Spor16	GER	1	0	n.a.	n.a.	No mutation found	n.a.	n.a.	n.a.
Spor17	IND	1	0	n.a.	n.a.	No mutation found	n.a.	n.a.	n.a.
Spor18	UK	1	0	n.a.	n.a.	No mutation found	n.a.	n.a.	n.a.
Total		18	9	n.a.	n.a.				

BP base pair, AA amino acid, BEL Belgium, BRA Brazil, CAN Canada, COL Colombia, DEN Denmark, GER Germany, IND India, NOR Norway, SVK Slovakia, UK United Kingdom, USA United States of America, n.a. not applicable

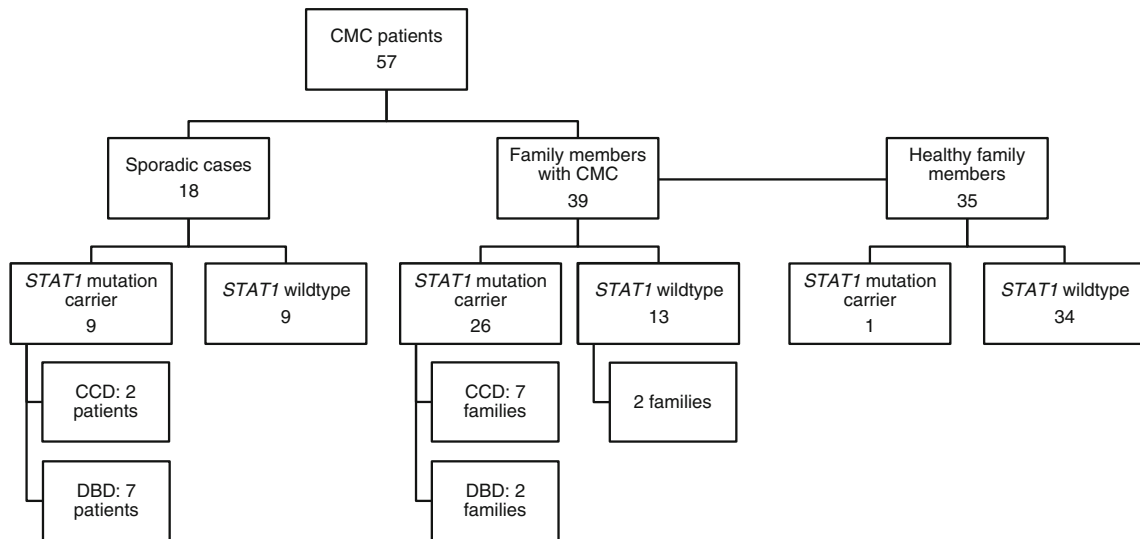


Fig. 1 Flow chart of *STAT1* mutation detection results. The cohort consists of 92 individuals, including 18 sporadic and 39 familial patients, and 35 healthy family members

(www.1000genomes.org/data) and dbSNP (www.ncbi.nlm.nih.gov/projects/SNP). Seven of these thirteen mutations were located in the coiled-coil domain of *STAT1* affecting 21 familial patients (from seven different families) and two sporadic cases. Six mutations were located in the DNA binding domain affecting five patients from two families and seven sporadic patients (Table 1, Fig. 2).

STAT1 Hyper-Phosphorylation in PBMC of CMC Patients upon IFN- α , IFN- γ and IL-27 Stimulation

The pathogenetic outcome of CMC associated with *STAT1* mutations is assumed to be caused by hyper-phosphorylation of *STAT1* [20]. In nine patients, we could assess *STAT1* phosphorylation in monocytes following stimulation of PBMC with IFN- α or IFN- γ by intracellular staining with an anti-

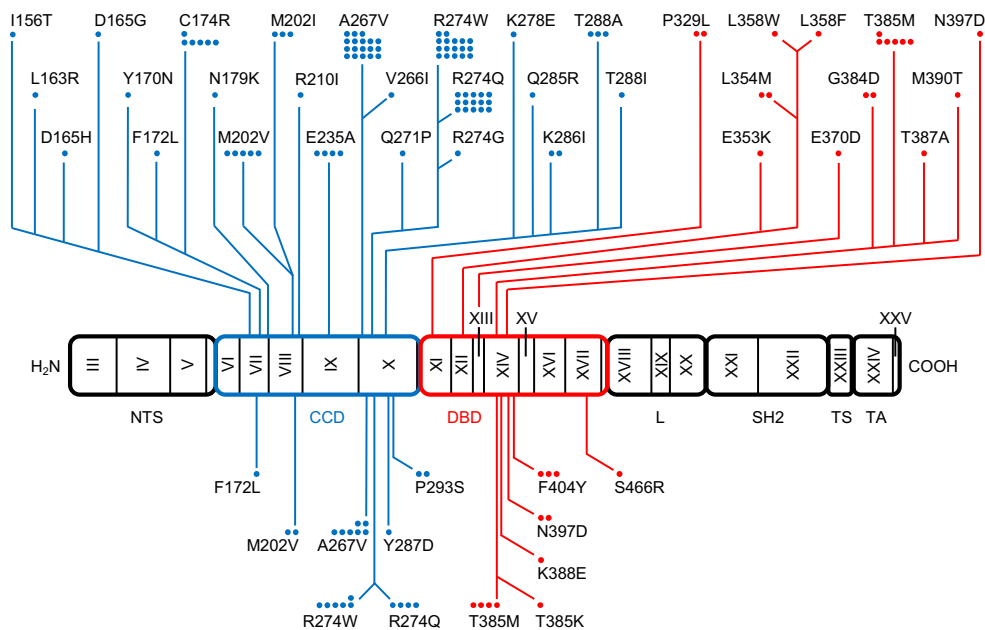


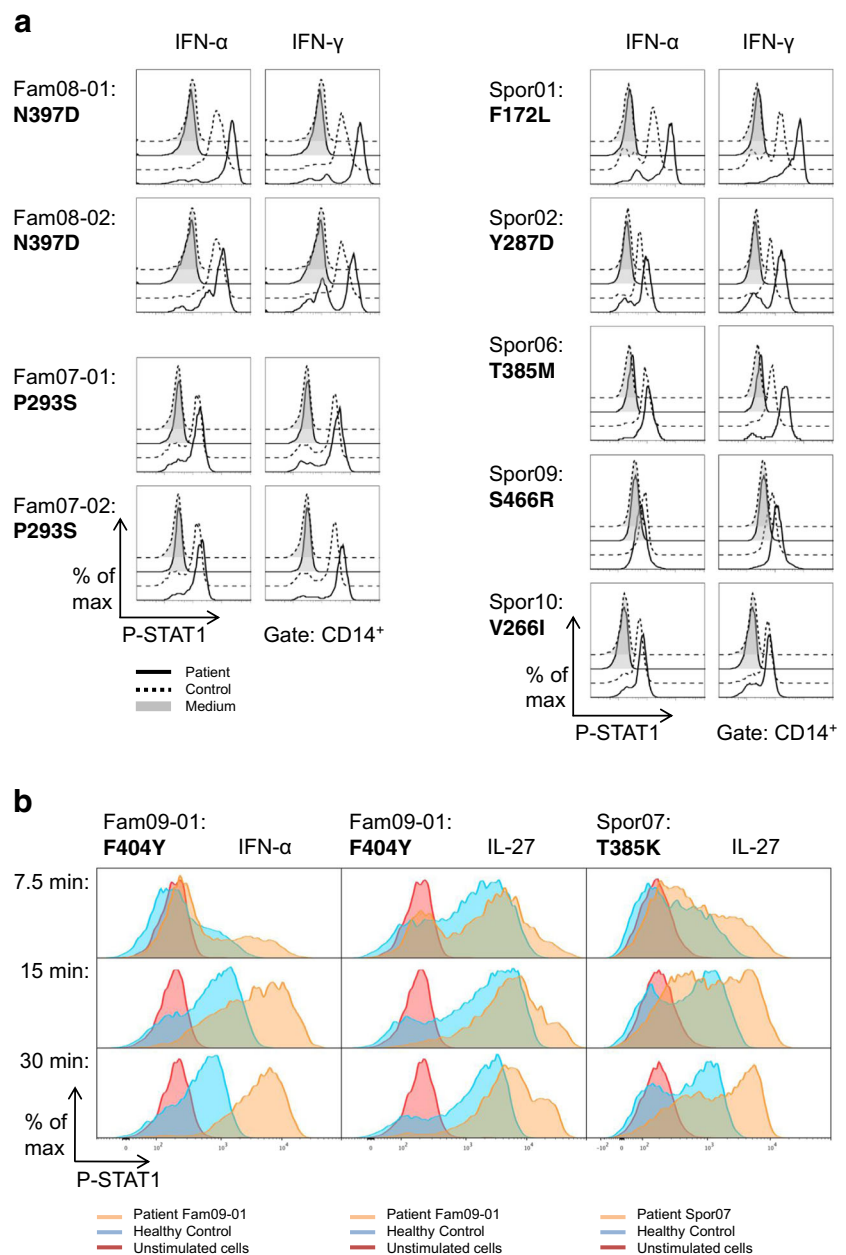
Fig. 2 GOF *STAT1* mutations. Linear representation of the human *STAT1* alpha isoform with GOF mutations associated with mycoses. Coding exons are numbered with roman numerals. Regions corresponding to the N-terminal segment (NTS), coiled-coil domain (CCD), DNA binding domain (DBD), linker domain (L), SH2 domain (SH2), tail segment domain (TS) and transactivator domain (TA) are

indicated by rectangles. Mutations colored in blue affect the coiled-coil domain and colored in red affect the DNA-binding domain. GOF mutations in the upper part of the Figure have been published previously [19–34, 42–45]. GOF mutations listed in the lower part were found in the cohort under study. Each dot represents one patient

phospho-STAT1 (pY701) specific antibody and subsequent flow cytometric analysis. For the mutations p.F172L, p.Y287D, and p.N397D, STAT1 phosphorylation was clearly increased in patients' monocytes compared to healthy controls (Fig. 3a). An increase in STAT1 phosphorylation was seen after both IFN- α and IFN- γ stimulation. However, the effect was more pronounced following IFN- γ stimulation. Monocytes from the second patient carrying the mutation p.N397D did show a moderately increased IFN- α induced STAT1 phosphorylation compared to the healthy control, whereas the mutation p.T385M in STAT1 only showed hyper-phosphorylation upon IFN- γ stimulation. These observations may point to a differential impact of certain mutations

on IFN- α and IFN- γ mediated STAT1 activation. A marginal increase in STAT1 phosphorylation could be observed in monocytes with the mutations p.P293S and p.S466R, indicating that additional functional testing should be performed to prove that these mutations have an effect on STAT1 phosphorylation. No change in phosphorylation was detectable when analyzing monocytes carrying the variation p.V266I that was found to show a minor allele frequency of 0.1 %. Thus, the *STAT1* variation p.V266I is indeed unlikely to be the genetic cause for CMC in this patient, resulting in her exclusion from the 26 patients of which the clinical features are described below. In addition, we studied STAT1 phosphorylation in CD4⁺ T cells from four patients carrying either p.T385K or

Fig. 3 a Increased STAT1 phosphorylation in patients' monocytes after IFN- α and IFN- γ treatment. PBMC from patients (solid line) and healthy controls (dashed lines) were stimulated for 15 min with IFN- α (500 U/ml) or IFN- γ (100 ng/ml). Cells were fixed and permeabilized prior to staining with anti-CD14 and anti-phospho-STAT1 (pY701) antibodies. The gate was set on CD14⁺ monocytes. **b** Increased STAT1 phosphorylation in patients' CD4⁺ T cells following IFN- α and IL-27 stimulation. PBMC were stimulated with either IFN- α (10,000 U/ml) or IL-27 (200 ng/ml) for 7.5, 15 and 30 min. Cells were then treated as described in (a) and phospho-STAT1 levels were evaluated gating on CD4⁺ T cells (Red – unstimulated patient cells; blue – stimulated healthy control cells; orange – stimulated patient cells)



p.F404Y mutations. For this purpose PBMC were stimulated with either IL-27 or IFN- α and phospho-STAT1 levels were evaluated at different time points gating on the CD4+ population (Fig. 3b). Compared to healthy controls, patient's CD4+ cells showed significant increase in both intensity and duration of phospho-STAT1 staining, reflected by persistent cytokine induced hyperphosphorylation at every time point tested. While this was the case for p.F404Y after IFN- α stimulation and for p.T385K after IL-27 stimulation, a relevant IL-27 induced hyper-phosphorylation of STAT1 was only apparent at later time points for the mutation p.F404Y, especially after 30 min.

Clinical Phenotype of CMC Patients with STAT1 GOF Mutations

To determine the detailed clinical phenotype of CMC caused by STAT1 GOF mutations, we carefully reviewed data of patients previously published, and added data from our patients. For this extended clinical analysis, we were able to collect data from 26 patients (20 familial and 6 sporadic cases). The clinical phenotype for kindreds Fam02, Fam03, Fam04, Fam09 and Spor03 (Table 1) have been published previously [25, 31, 35, 36].

The main clinical feature of CMC is fungal infection of the oral mucosa. In the cohort of patients with heterozygous *STAT1* mutations, we observed episodes of oral candidiasis in 73 % (19/26) of patients, with a tendency to become chronic if untreated in 42 % (8/19) of these patients (Table 2). Antifungal treatment with e.g., azoles led to a partial remission in 62 % (10/16) of patients, 38 % (6/16) had a complete response. Moreover, 58 % (11/19) of patients needed prophylactic treatment to prevent recurrence of oral candidiasis. Aphthous stomatitis was frequent in CMC patients. A severe form was observed in 38 % (10/26) of patients, while 31 % (8/26) had moderate aphthae. Aphthous stomatitis had a lower tendency for chronicity (18 %, 3/17) compared to oral candidiasis (42 %, 8/19) and appeared with a relapsing course in the majority of affected patients (82 %, 14/17). Esophageal candidiasis was observed in two-thirds of patients (65 %, 15/23) and often showed acceptable response to treatment, with complete remission in 67 % (8/12), but relapses were frequent after treatment was stopped (87 %, 13/15). Candidiasis rarely appeared in other parts of the gastrointestinal tract. Infection of the pharynx was found in one patient (4 %, 1/23) and candidiasis of the small and large bowel was not observed.

We documented a mixed picture of skin infections in the CMC cohort under study. Altogether, 50 % (13/26) of patients reported intertrigo, 46 % (12/26) pustules and 44 % (11/25) infections of the scalp; and 50 % (9/18) of affected patients reported chronic skin infections. More chronic than recurrent

Table 2 Characteristics of candidiasis

	No. of patients	% of patients
Infection of oral mucosa		
Oral candidiasis	19/26	73 %
Duration		
• Recurrent	11/19	58 %
• Chronic	8/19	42 %
Response to treatment		
• Complete	6/16	38 %
• Partial	10/16	62 %
• No	0/16	0 %
Aphthous stomatitis	18/26	69 %
• Severe	10/26	38 %
• Moderate	8/26	31 %
Duration		
• Recurrent	14/17	82 %
• Chronic	3/17	18 %
Response to treatment		
• Complete	6/13	46 %
• Partial	6/13	46 %
• No	1/13	8 %
Infection of intestinal tract		
Esophageal candidiasis	15/23	65 %
Other	1/23	4 %
Duration		
• Recurrent	13/15	87 %
• Chronic	2/15	13 %
Response to treatment		
• Complete	8/12	67 %
• Partial	4/12	33 %
• No	0/12	0 %
Skin infections		
Intertrigo	13/26	50 %
Pustules	12/26	46 %
Intertrigo and/or Pustules	20/26	77 %
Duration		
• Recurrent	9/18	50 %
• Chronic	9/18	50 %
Response to treatment		
• Complete	4/16	25 %
• Partial	12/16	75 %
• No	0/16	0 %
Infection of scalp		
Duration		
• Recurrent	3/9	33 %
• Chronic	6/9	67 %
Response to treatment		
• Complete	4/8	50 %
• Partial	4/8	50 %
• No	0/8	0 %

Table 2 (continued)

	No. of patients	% of patients
Infection of nails		
Onychomycosis	16/25	64 %
Paronychia	9/23	39 %
Duration		
• Recurrent	4/17	24 %
• Chronic	13/17	76 %
Response to treatment		
• Complete	3/15	20 %
• Partial	12/15	80 %
• No	0/15	0 %
Infection of vulva and vagina		
Limited to vulva	2/6	33 %
Extended to surrounding areas	4/6	67 %
Duration		
• Recurrent	5/6	83 %
• Chronic	1/6	17 %
Response to treatment		
• Complete	4/5	80 %
• Partial	1/5	20 %
• No	0/5	0 %

cases were reported, regarding infections of the scalp (chronic infections: 67 %, 6/9; recurrent infections: 33 %, 3/9). Onychomycosis appeared in 64 % (16/25) and paronychia in 39 % (7/23) of patients. Onychomycosis and paronychia were both chronic in three quarters of cases (76 %, 13/17). Treatment response varied from complete remission (20 %, 3/15) to partial remission (80 %, 12/15), rendering resistance a possible complication in patients with nail candidiasis.

Nine female patients of reproductive age provided information about vulvovaginal candidiasis. In 67 % (6/9) of these female patients *Candida* infection of the vulva was documented and candidiasis affected both vagina and perineal region in the two-thirds of cases (67 %, 4/6). Complete response after antifungal therapy was likely (80 %, 4/5), but infections of the vulvovaginal area often reoccurred (83 %, 5/6) when antifungal treatment was stopped.

The majority of patients received both topical and systemic antifungal treatment. Oral therapy with fluconazole and other triazoles was often used to provide a long-lasting prophylaxis. Oral preparations of amphotericin B were administered in severe cases. In case of topical treatment, nystatin proved to be a good alternative to triazoles. Duration of topical antifungal treatment ranged from 2 weeks to several months while medical prescription was reported to continue for about 4 weeks per episode in most cases.

Although candidiasis presented in many patients as the main or only type of infection, other infections were also observed: Dermatophytosis was reported in 14 % (3/22) of

patients (Table 3). In the respective cases, *Trichophyton* species were isolated from affected skin lesions. If prevalent, bacterial infections primarily affected the respiratory tract. One or more episodes of bronchitis were observed in 41 % (9/22). Two-fifths of patients reported a history of pneumonia (41 %, 9/22). Sinusitis was also common, with 48 % (12/25) of patients giving a positive history. Furthermore, bacteria caused skin infections, mainly presenting as folliculitis (32 %, 7/22). Recurrent viral infections were rarely observed. Herpes simplex virus infections (18 %, 4/22) and papilloma-virus infections (14 %, 3/22) were the most prevalent.

Table 3 Associated diseases

	No. of patients	% of patients
Other Infections		
Ears, nose and throat		
• Sinusitis	12/25	48 %
• Otitis	4/25	16 %
• Conjunctivitis	1/21	5 %
• Tonsillitis	3/25	12 %
Respiratory tract		
• Bronchitis	9/22	41 %
• Pneumonia	9/22	41 %
• Bronchiectasis	3/22	14 %
Cutaneous infections		
• Furunculosis	2/22	9 %
• Folliculitis	7/22	32 %
• Abscess	1/22	5 %
Urinary infections	1/22	5 %
Dermatophyte	3/22	14 %
Other fungi / parasites	0/22	0 %
Viral infections		
• Herpes	4/22	18 %
• Papillomavirus	3/22	14 %
• Zoster	2/22	9 %
• Severe varicella	1/22	5 %
• Epstein Barr	1/19	5 %
Sepsis	2/22	9 %
Non-infectious diseases		
Auto-immunity		
• Thyroid	11/25	44 %
• Alopecia	1/21	5 %
• Vitiligo	1/21	5 %
• Systemic Lupus Erythematosus	0/25	0 %
• Multiple Sclerosis	0/25	0 %
Neurological complications		
• Cerebral aneurysm	2/25	8 %
• Cerebral vasculitis	1/25	4 %
Malignancies	0/21	0 %

CMC was also associated with auto-immune conditions in our cohort. With 44 % (11/25) of patients being affected, hypothyroidism was by far the most common autoimmune condition reported. Alopecia and vitiligo were observed in one patient each (5 %, 1/21) (Table 3).

With regard to serious complications, no patient reported systemic fungal infection, and no patient had *Candida* meningitis. Other severe complications, such as cerebral aneurysm, cerebral vasculitis, and squamous cell cancer of the esophagus, have been described in other CMC cohorts [20, 37, 38]. Two unrelated patients from our cohort were reported with cerebral aneurysms. One of them developed cerebral vasculitis. Aneurysms were detected in both patients through MRI at the age of 8 and 10 years, respectively.

We further analyzed lymphocyte subpopulations, serum immunoglobulin (Ig) levels, autoantibodies, and thyroid markers in all patients from our cohort (Table 4). White blood cell counts were normal in the majority of patients (82 %, 18/22), while some patients demonstrated leukocytosis (14 %, 3/22) and one patient had slightly decreased counts (5 %, 1/22). Lymphocytes were decreased in 13 % (3/23) of patients and monocytes were elevated in 17 % (4/23). Lymphocyte subpopulations were within the normal range in the majority of patients. Counts of CD3+ T cells, CD4+ T cells, and CD19+ B cells were decreased in 10 % (2/21), 14 % (3/21) and 10 % (2/21) of patients respectively. CD3-/CD16+/CD56+ natural killer cells were decreased in 53 % (10/19) of patients. IgA was decreased in 26 % (6/23) of patients, but IgG levels, including IgG subclasses IgG1-3, were normal. Thyroid-stimulating hormone was increased in 41 % (9/22) of patients, while thyroxine and triiodothyronine were decreased in fewer patients (20 %, 4/20 and 23 %, 3/13 respectively), indicating subclinical hypothyroidism. Thyroglobulin autoantibodies were reported in 3 patients (19 %, 3/16). No thyroid carcinoma was detected in the cohort under study. Detection of other autoantibodies such as anti-mitochondrial, anti-insulin or anti-GAD65 antibodies occurred rarely (Table 4).

Discussion

In the present study we found that in a group of 57 CMC patients, 35 cases (61 %) had a heterozygous GOF mutation in *STAT1*. Twenty-three patients had a *STAT1* mutation in the CCD, underlining the importance of this domain as a mutation locus, while 12 had a DBD mutation in *STAT1*. The majority of families (82 %, 9/11) as well as half of the sporadic cases (50 %, 9/18) harbored a heterozygous *STAT1* mutation. Several mutations we identified in the cohort under study have been described previously (Fig. 2). Van de Veerdonk et al. published that patients of a Dutch family carrying the mutation p.R274W in the CCD had severe dermatophytosis and

autoimmune phenomena (autoimmune hemolysis, pernicious anemia, autoimmune hepatitis), in addition to severe, chronic oropharyngeal candidiasis [19]. These severe autoimmune phenomena were not observed in our patients. However, the association between the *STAT1* mutation p.A267V and hypothyroidism, which has been reported [19], was also seen in two of our families.

During this study, we were able to clarify the genetic background of a large family (Fam02) with an autosomal dominant CMC type associated with hypothyroidism previously published by Atkinson et al. in 2001 [35]. The family mapped to a candidate linkage region on chromosome 2p; however, no mutation could be identified at that time. In this kindred, we detected the heterozygous *STAT1* mutation p.A267V in four of the affected family members. However, *STAT1* is located on chromosome 2q and not 2p. Only the most severely affected members with both CMC and thyroid disease harbored this *STAT1* mutation, while other family members, solely suffering from hypothyroidism, did not carry it. A likely explanation for the incorrect linkage analysis may be the misclassification of these patients due to the misleading influence of the thyroid disease, since thyroid autoimmunity is among the most common autoimmune conditions.

The high prevalence of thyroiditis which we observed in the *STAT1* mutated CMC patients in this study is an interesting aspect. One possibility for *STAT1* mutations causing hypothyroidism might be the formation of thyroid autoantibodies [20, 22]. Thyroglobulin autoantibodies (TgAb) were detected in 13 % (2/16) of patients in our cohort. TgAb are often found in patients with Hashimoto's thyroiditis, which constitutes a common cause for hypothyroidism [39]. Furthermore, we speculate that a second mechanism may be causally related to hypothyroidism in this cohort of patients. Staab et al. assessed expression of cytokine-regulated STAT proteins in patients diagnosed as having Hashimoto's disease or focal lymphocytic thyroiditis. In these patients, activated STAT1 dimers were detected in numerous infiltrating lymphocytes, macrophages as well as in oncocytes, while STAT3 expression was restricted to epithelial cells and showed a clear association with low levels of stromal fibrosis, suggesting that STAT3 serves as a protective factor in the remodeling of the inflamed thyroid gland [40]. The imbalance between STAT1-dependent signaling and STAT3-dependent signaling might further amplify degenerative processes in the thyroid gland. Moreover, mutated *STAT1* may contribute to hypothyroidism by interfering with thyrotropin signaling pathway. The production of suppressor of cytokine signaling 1 (SOCS1) is induced by thyrotropin, which then alters STAT1 phosphorylation [41]. Thyrotropin may act as a cytokine inhibitor in thyroid tissue in order to rescue thyroid cells. This process might be impeded by GOF *STAT1* mutations [19, 41].

We were not able to identify *STAT1* mutations in all of the CMC patients under study. Other candidate genes tested

Table 4 Absolute lymphocyte subpopulations, serum immunoglobulins, thyroid markers and autoantibodies

	Increased		Normal		Decreased		Unknown	
	No. of patients	%	No. of patients	%	No. of patients	%	No. of patients	%
White blood cell count								
WBC	3/22	14 %	18/22	82 %	1/22	5 %	4/26	15 %
Granulocytes	4/23	17 %	18/23	78 %	1/23	4 %	3/26	12 %
Lymphocytes	0/23	0 %	20/23	87 %	3/23	13 %	3/26	12 %
Monocytes	4/23	17 %	19/23	83 %	0/23	0 %	3/26	12 %
Eosinophils	1/20	5 %	14/20	70 %	5/20	25 %	6/26	23 %
Percentage of lymphocytes								
CD3+	3/21	14 %	16/21	76 %	2/21	10 %	5/26	19 %
CD4+	0/21	0 %	18/21	86 %	3/21	14 %	5/26	19 %
CD8+	0/21	0 %	20/21	95 %	1/21	5 %	5/26	19 %
CD19+	2/21	10 %	17/21	81 %	2/21	10 %	5/26	19 %
CD16+/CD65+/CD3-	1/19	5 %	8/19	42 %	10/19	53 %	6/26	24 %
Immunoglobulins serum levels								
IgG	7/22	32 %	14/22	64 %	1/22	5 %	4/26	15 %
• IgG1	4/12	33 %	8/12	67 %	0/12	0 %	14/26	54 %
• IgG2	1/12	8 %	7/12	58 %	4/12	33 %	14/26	54 %
• IgG3	2/11	18 %	9/11	82 %	0/11	0 %	15/26	58 %
• IgG4	0/10	0 %	3/10	30 %	7/10	70 %	16/26	62 %
IgM	2/23	9 %	19/23	83 %	2/23	9 %	3/26	12 %
IgA	1/23	4 %	16/23	70 %	6/23	26 %	3/26	12 %
IgE	0/21	0 %	13/21	62 %	8/21	38 %	5/26	19 %
Thyroid markers								
TSH	9/22	41 %	12/22	55 %	1/22	5 %	4/26	15 %
T ₃	2/13	15 %	8/13	62 %	3/13	23 %	13/26	50 %
T ₄	0/20	0 %	16/20	80 %	4/20	20 %	6/26	23 %
Autoantibodies								
Anti-thyroglobulin antibody	3/16	19 %	13/16	81 %	n.a.		10/26	38 %
Anti-thyroid peroxidase antibody	0/21	0 %	21/21	100 %	n.a.		5/26	19 %
Anti-microsomal antibody	1/8	13 %	7/8	88 %	n.a.		18/26	69 %
Anti-adrenal antibody	0/11	0 %	11/11	100 %	n.a.		15/26	58 %
Anti-insulin antibody	1/9	11 %	8/9	89 %	n.a.		17/26	65 %
Anti-GAD ₆₅ antibody	1/9	11 %	8/9	89 %	n.a.		17/26	65 %
Anti-pancreatic islet cell antibody	0/9	0 %	9/9	100 %	n.a.		17/26	65 %

n.a. not applicable, TSH thyroid-stimulating hormone, T₃ triiodothyronine, T₄ thyroxine, GAD₆₅ glutamate decarboxylase 65

(*CARD9*, *IL17F*, *IL17RA*, *IL17RB*, *AIRE* and *ACT1*) did not reveal a molecular cause for CMC in our cohort. The cause(s) for CMC in the remainder of the cohort described here (39 %, 22/57) still needs to be identified. However, due to the high frequency of mutations, we propose that sequencing of *STAT1* should be performed in every patient suspected of having a genetic form of autosomal dominant CMC. Identification of a mutation in the CCD or the DBD in the context of clinical diagnosed CMC makes *STAT1* a likely candidate for the underlying genetic defect. Functional immunological analysis should be performed, especially when mutations are found,

which have not been formally proven to result in GOF. We suggest that the analysis of the frequency of Th17 cells in peripheral blood may be performed as well as testing for IFN- and/or IL-stimulated STAT1 phosphorylation by flow cytometry. While we were able to show an increased phosphorylation of STAT1 for several mutations, however, not all *STAT1* variants seem to be disease causing, even when amino acid changes occur next to known disease causing mutations. Our functional assay indicated that e.g., p.V266I does not cause a GOF in *STAT1*. The variant V266I was previously published by Uzel et al., after being observed in an infant with

an IPEX-like phenotype [28]. Uzel et al. described an enhanced DNA binding and transactivation of STAT1 for the mutation. However, this variant is also listed on dbSNP as rs41473544, the minor allele frequency is recorded to be 0.0006 in the 1000 Genomes database. When performing functional testing, we failed to observe a GOF for this variant. In summary, the relevance of this variant remains unclear. These findings emphasize the importance of complementing genetic analysis through functional investigation.

Taken together, *STAT1* is the most probable candidate gene in CMC patients but not the only gene for autosomal dominant inherited CMC. Finding the missing genetic defects still remains an interesting challenge for future research.

Acknowledgments The authors thank the patients and their relatives for the participation in this study. The presented work was supported in parts by funds from the German Federal Ministry of Education and Research (BMBF) with the grant numbers E-med-012X1306F, CCI-01E01303, and BMBF-1315883, the Deutsche Forschungsgemeinschaft (DFG) EH145/6-1, the E-rare program of the European Commission EURO-CMC, and the Helmholtz Center DZIF: 8000805–3 and TTU IICH 07.801.

Conflict of Interest The authors declare that they have no conflict of interest.

Open Access This article is distributed under the terms of the Creative Commons Attribution 4.0 International License (<http://creativecommons.org/licenses/by/4.0/>), which permits unrestricted use, distribution, and reproduction in any medium, provided you give appropriate credit to the original author(s) and the source, provide a link to the Creative Commons license, and indicate if changes were made.

References

- Kirkpatrick CH. Chronic mucocutaneous candidiasis. *Pediatr Infect Dis J*. 2001;20(2):197–206.
- Lilic D. New perspectives on the immunology of chronic mucocutaneous candidiasis. *Curr Opin Infect Dis*. 2002;15(2):143–7.
- Eyerich K, Eyerich S, Hiller J, Behrendt H, Traidl-Hoffmann C. Chronic mucocutaneous candidiasis, from bench to bedside. *Eur J Dermatol*. 2010;20(3):260–5.
- Puel A, Cypowjy S, Maródi L, Abel L, Picard C, Casanova J-L. Inborn errors of human IL-17 immunity underlie chronic mucocutaneous candidiasis. *Curr Opin Allergy Clin Immunol*. 2012;12(6):616–22.
- Conti HR, Shen F, Nayyar N, Stocum E, Sun JN, Lindemann MJ, et al. Th17 cells and IL-17 receptor signaling are essential for mucosal host defense against oral candidiasis. *J Exp Med*. 2009;206(2):299–311.
- Korn T, Bettelli E, Oukka M, Kuchroo VK. IL-17 and Th17 Cells. *Annu Rev Immunol*. 2009;27:485–517.
- Hernández-Santos N, Gaffen SL. Th17 cells in immunity to *Candida albicans*. *Cell Host Microbe*. 2012;11(5):425–35.
- Minegishi Y, Saito M, Tsuchiya S, Tsuge I, Takada H, Hara T, et al. Dominant-negative mutations in the DNA-binding domain of STAT3 cause hyper-IgE syndrome. *Nature*. 2007;448(7157):1058–62.
- de Beaucoudrey L, Puel A, Filipe-Santos O, Cobat A, Ghandil P, Chrabieh M, et al. Mutations in STAT3 and IL12RB1 impair the development of human IL-17-producing T cells. *J Exp Med*. 2008;205(7):1543–50.
- Ma CS, Chew GYJ, Simpson N, Priyadarshi A, Wong M, Grimbacher B, et al. Deficiency of Th17 cells in hyper IgE syndrome due to mutations in STAT3. *J Exp Med*. 2008;205(7):1551–7.
- Milner JD, Brenchley JM, Laurence A, Freeman AF, Hill BJ, Elias KM, et al. Impaired T(H)17 cell differentiation in subjects with autosomal dominant hyper-IgE syndrome. *Nature*. 2008;452(7188):773–6.
- Glocker E-O, Hennigs A, Nabavi M, Schäffer AA, Woellner C, Salzer U, et al. A homozygous CARD9 mutation in a family with susceptibility to fungal infections. *N Engl J Med*. 2009;361(18):1727–35.
- Kisand K, Bøe Wolff AS, Podkrajsek KT, Tserel L, Link M, Kisand KV, et al. Chronic mucocutaneous candidiasis in APECED or thymoma patients correlates with autoimmunity to Th17-associated cytokines. *J Exp Med*. 2010;207(2):299–308.
- Puel A, Döffinger R, Natividad A, Chrabieh M, Barcenas-Morales G, Picard C, et al. Autoantibodies against IL-17A, IL-17F, and IL-22 in patients with chronic mucocutaneous candidiasis and autoimmune polyendocrine syndrome type I. *J Exp Med*. 2010;207(2):291–7.
- Sarkadi AK, Taskó S, Csorba G, Tóth B, Erdős M, Maródi L. Autoantibodies to IL-17A may be correlated with the severity of mucocutaneous candidiasis in APECED patients. *J Clin Immunol*. 2014;34(2):181–93.
- Puel A, Cypowjy S, Bustamante J, Wright JF, Liu L, Lim HK, et al. Chronic mucocutaneous candidiasis in humans with inborn errors of interleukin-17 immunity. *Science*. 2011;332(6025):65–8.
- Ling Y, Cypowjy S, Aytekin C, Galicchio M, Camcioglu Y, Nepesov S, et al. Inherited IL-17RC deficiency in patients with chronic mucocutaneous candidiasis. *J Exp Med*. 2015;212(5):619–31.
- Boisson B, Wang C, Pedergnana V, Wu L, Cypowjy S, Rybojad M, et al. An ACT1 mutation selectively abolishes interleukin-17 responses in humans with chronic mucocutaneous candidiasis. *Immunity*. 2013;39(4):676–86.
- van de Veerdonk FL, Plantinga TS, Hoischen A, Smeekens SP, Joosten LAB, Gilissen C, et al. STAT1 mutations in autosomal dominant chronic mucocutaneous candidiasis. *N Engl J Med*. 2011;365(1):54–61.
- Liu L, Okada S, Kong X-F, Kreins AY, Cypowjy S, Abhyankar A, et al. Gain-of-function human STAT1 mutations impair IL-17 immunity and underlie chronic mucocutaneous candidiasis. *J Exp Med*. 2011;208(8):1635–48.
- Smeekens SP, Plantinga TS, van de Veerdonk FL, Heinhuis B, Hoischen A, Joosten LAB, et al. STAT1 hyperphosphorylation and defective IL12R/IL23R signaling underlie defective immunity in autosomal dominant chronic mucocutaneous candidiasis. *PLoS ONE*. 2011;6:e29248.
- Hori T, Ohnishi H, Teramoto T, Tsubouchi K, Naiki T, Hirose Y, et al. Autosomal-dominant chronic mucocutaneous candidiasis with STAT1-mutation can be complicated with chronic active hepatitis and hypothyroidism. *J Clin Immunol*. 2012;32(6):1213–20.
- Tóth B, Méhes L, Taskó S, Szalai Z, Tulassay Z, Cypowjy S, et al. Herpes in STAT1 gain-of-function mutation [corrected]. *Lancet*. 2012;379(9835):2500.
- Takezaki S, Yamada M, Kato M, Park M-J, Maruyama K, Yamazaki Y, et al. Chronic mucocutaneous candidiasis caused by a gain-of-function mutation in the STAT1 DNA-binding domain. *J Immunol*. 2012;189(3):1521–6.
- Al Rushood M, McCusker C, Mazer B, Alizadehfar R, Grimbacher B, Depner M, et al. Autosomal dominant cases of chronic mucocutaneous candidiasis segregates with mutations of signal transducer

- and activator of transcription 1, but not of Toll-like receptor 3. *J Pediatr*. 2013;163(1):277–9.
26. Soltész B, Tóth B, Shabashova N, Bondarenko A, Okada S, Cypowij S, et al. New and recurrent gain-of-function STAT1 mutations in patients with chronic mucocutaneous candidiasis from Eastern and Central Europe. *J Med Genet*. 2013;50(9):567–78.
 27. Aldave JC, Cachay E, Núñez L, Chunga A, Murillo S, Cypowij S, et al. A 1-year-old girl with a gain-of-function STAT1 mutation treated with hematopoietic stem cell transplantation. *J Clin Immunol*. 2013;33(8):1273–5.
 28. Uzel G, Sampaio EP, Lawrence MG, Hsu AP, Hackett M, Dorsey MJ, et al. Dominant gain-of-function STAT1 mutations in FOXP3 wild-type immune dysregulation-polyendocrinopathy-enteropathy-X-linked-like syndrome. *J Allergy Clin Immunol*. 2013;131(6):1611–23.
 29. Mekki N, Ben-Mustapha I, Liu L, Boussofara L, Okada S, Cypowij S, et al. IL-17 T cells' defective differentiation in vitro despite normal range ex vivo in chronic mucocutaneous candidiasis due to STAT1 mutation. *J Invest Dermatol*. 2014;134(4):1155–7.
 30. Wildbaum G, Shahar E, Katz R, Karin N, Etzioni A, Pollack S. Continuous G-CSF therapy for isolated chronic mucocutaneous candidiasis: complete clinical remission with restoration of IL-17 secretion. *J Allergy Clin Immunol*. 2013;132(3):761–4.
 31. Frans G, Moens L, Schaballie H, Van Eyck L, Borgers H, Wuyts M, et al. Gain-of-function mutations in signal transducer and activator of transcription 1 (STAT1): chronic mucocutaneous candidiasis accompanied by enamel defects and delayed dental shedding. *J Allergy Clin Immunol*. 2014;134(5):1209–13.e6.
 32. Mizoguchi Y, Tsumura M, Okada S, Hirata O, Minegishi S, Imai K, et al. Simple diagnosis of STAT1 gain-of-function alleles in patients with chronic mucocutaneous candidiasis. *J Leukoc Biol*. 2014;95(4):667–76.
 33. Higgins E, Al Shehri T, McAleer MA, Conlon N, Feighery C, Lilic D, et al. Use of ruxolitinib to successfully treat chronic mucocutaneous candidiasis caused by gain-of-function signal transducer and activator of transcription 1 (STAT1) mutation. *J Allergy Clin Immunol*. 2015;135(2):551–3.
 34. Sampaio EP, Hsu AP, Pechacek J, Bax HI, Dias DL, Paulson ML, et al. Signal transducer and activator of transcription 1 (STAT1) gain-of-function mutations and disseminated coccidioidomycosis and histoplasmosis. *J Allergy Clin Immunol*. 2013;131(6):1624–34.
 35. Atkinson TP, Schäffer AA, Grimbacher B, Schroeder Jr HW, Woellner C, Zerbe CS, et al. An immune defect causing dominant chronic mucocutaneous candidiasis and thyroid disease maps to chromosome 2p in a single family. *Am J Hum Genet*. 2001;69(4):791–803.
 36. Myhre AG, Stray-Pedersen A, Spangen S, Eide E, Veimo D, Knappskog PM, et al. Chronic mucocutaneous candidiasis and primary hypothyroidism in two families. *Eur J Pediatr*. 2004;163(10):604–11.
 37. Grouhi M, Dalal I, Nisbet-Brown E, Roifman CM. Cerebral vasculitis associated with chronic mucocutaneous candidiasis. *J Pediatr*. 1998;133(4):571–4.
 38. Marazzi MG, Bondi E, Giannattasio A, Strozzi M, Savioli C. Intracranial aneurysm associated with chronic mucocutaneous candidiasis. *Eur J Pediatr*. 2008;167(4):461–3.
 39. Amino N, Hidaka Y. Chronic (Hashimoto's) thyroiditis. In: DeGroot LJ, Jameson JL, editors. *Endocrinology*. 5th ed. Philadelphia: Elsevier Saunders; 2006. p. 2055–67.
 40. Staab J, Barth PJ, Meyer T. Cell-type-specific expression of STAT transcription factors in tissue samples from patients with lymphocytic thyroiditis. *Endocr Pathol*. 2012;23(3):141–50.
 41. Park ES, Kim H, Suh JM, Park SJ, Kwon OY, Kim YK, et al. Thyrotropin induces SOCS-1 (suppressor of cytokine signaling-1) and SOCS-3 in FRTL-5 thyroid cells. *Mol Endocrinol*. 2000;14(3):440–8.
 42. Romberg N, Morbach H, Lawrence MG, Kim S, Kang I, Holland SM, et al. Gain-of-function STAT1 mutations are associated with PD-L1 overexpression and a defect in B-cell survival. *J Allergy Clin Immunol*. 2013;131(6):1691–3.
 43. Kumar N, Hanks ME, Chandrasekaran P, Davis BC, Hsu AP, Van Wagoner NJ, et al. Gain-of-function signal transducer and activator of transcription 1 (STAT1) mutation-related primary immunodeficiency is associated with disseminated mucormycosis. *J Allergy Clin Immunol*. 2014;134(1):236–9.
 44. Lee PPW, Mao H, Yang W, Chan K-W, Ho MHK, Lee T-L, et al. *Penicillium marneffei* infection and impaired IFN- γ immunity in humans with autosomal-dominant gain-of-phosphorylation STAT1 mutations. *J Allergy Clin Immunol*. 2014;133(3):894–6.e5.
 45. Yamazaki Y, Yamada M, Kawai T, Morio T, Onodera M, Ueki M, et al. Two novel gain-of-function mutations of STAT1 responsible for chronic mucocutaneous candidiasis disease: impaired production of IL-17A and IL-22, and the presence of anti-IL-17F autoantibody. *J Immunol*. 2014;193(10):4880–7.