



Science Arts & Métiers (SAM)

is an open access repository that collects the work of Arts et Métiers Institute of Technology researchers and makes it freely available over the web where possible.

This is an author-deposited version published in: <https://sam.ensam.eu>
Handle ID: <http://hdl.handle.net/10985/9873>

To cite this version :

Philippe LORONG, Arnaud LARUE, Alexis PERE-DUARTE - Dynamic Study of Thin Wall Part Turning - In: 13th CIRP International Conference on Modeling of Machining Operations, Advances Materials Research, Portugal, 2011-05-12 - Advanced Materials Research - 2011

Any correspondence concerning this service should be sent to the repository

Administrator : archiveouverte@ensam.eu



Dynamic Study of Thin Wall Part Turning

P. Lorong^{1*}, A. Larue², A. Perez Duarte³

¹ Arts et Metiers ParisTech, Lab. PIMM, 151 bd de l'Hôpital, F75013 Paris

² Mecachrome, 27 rue de la Milletière, BP 57347, 37073 Tours

³ SNECMA, SAFRAN, rue H.A. Desbrùères, BP81, 91003 Evry

* philippe.lorong@paris.ensam.fr

Abstract

The numerical simulation of machining process is a key factor in the control of parts machining process. Its development aims at improving the process reliability and reduces the time spent during the process planning stage. In this context, we use a specific time domain simulation allowing modeling the dynamics of a thin wall part turning operation. After having introduced the basics of the proposed approach we present a specific cutting test that has been designed to specifically measure and control the dynamics of the part and the cutting conditions of a finishing toolpath. The influences of the cutting speed and damping coefficient on the chatter occurrence are discussed. In order to better control the simulation uses, an analysis of the simulation parameters influences on the simulated results is proposed.

1 INTRODUCTION

As the material costs increases, the proportion of flexible parts increases in the industry. The machining of flexible parts imposes many problems to the programming services. The numerical simulation is in this case a very interesting alternative to apprehend the design of flexures and can bring a very helpful service to the programmers in the process planning daily development. One of the main goals of the simulation is the prediction of dynamical instabilities resulting from the regenerative phenomenon [1]: material found by the tool at a time t depends on the removal of the matter at time $t - \Delta t$ where Δt is the delay from the removal of the succeeding cutting tooth at the same location. An extensive review dealing with the studies conducted on this phenomenon, called regenerative chatter, is given in [2] by Altintas and Weck. Different approaches exist. Some of them use analytical stability criterion [3][4], a full or semi-discretization time domain strategies to approximate the monodromy operator in order to evaluate the stability [5][6] or at last "full" time domain approaches [7][8][9]. These last approaches are more expensive (numerically) than the first ones but they allow to handle more complex models (possibly non-linear) and give as results the whole history of the cutting forces and vibrations during the toolpath.

They also give the geometry of the machined surface. This is very useful to estimate form and waviness errors.

The proposed paper presents an experimental and numerical study that has been done to apprehend the difficulties of the turning of a thin wall part with a time domain approach. A specificity of the used time domain approach is the taking into account of the deformation of the geometric model of the machined surface. The basics of the proposed time domain simulation are presented in the first part of this paper. In the following, to be concise, we restricted our presentation to the proposed turning example. Naturally, the proposed method is able to handle all milling and turning flexible cases.

2 HEADLINES OF THE APPROACH

The proposed time domain approach uses the well known Newmark implicit integration scheme to solve, at each time step t_i , the equilibrium equation (1) coming from the finite element model concerning the workpiece:

$$\underline{\underline{M}}\ddot{q}(t_i) + \underline{\underline{C}}\dot{q}(t_i) + \underline{\underline{K}}q(t_i) = \underline{Q}_{cut}(q(t_i), \Gamma_{cut}(t_i)) \quad (1)$$

where $\underline{\underline{M}}$ is the mass matrix, $\underline{\underline{C}}$ is the damping matrix, $\underline{\underline{K}}$ is the stiffness matrix, q represents the column of degrees of freedom, $\underline{Q}_{cut}(q, \Gamma_{cut})$ is the column representing the cutting forces

applied on the workpiece and Γ_{cut} is the set of cutting sections (possibly on per each tooth) at t_i .

For each time step an iterative procedure (Newton-Raphson) is introduced to solve (1) due to the non-linearity character of $\underline{Q}_{cut}(q, \Gamma_{cut})$. Indeed, the cutting forces depend on the instantaneous cutting section which results from the material removal history. Moreover the expression of the cutting forces related to the chip section may be non-linear. A Kintzle cutting law has been used in this work [10]. The cutting forces are then calculated in a local basis defined along the cutting edge of each tooth and are defined as follows:

$$F_\alpha = K_\alpha \frac{b}{h_0} \left(\frac{h}{h_0} \right)^{n_\alpha} \quad \text{where } \alpha \in \{n, t, r\} \quad (2)$$

F_α is the cutting forces component along the direction α , b is the local width of cut, h is the local depth of cut, h_0 is a reference length, n indicates the outward normal direction of the rake face, t is a direction tangential to the cutting edge, r a direction orthogonal with both previous directions, K_α and n_α are parameters depending on the tool/workpiece material combination.

Γ_{cut} is deduced from the intersection between the volume swept by the rake faces during a time step and the actual volume of the workpiece. The actual volume of the workpiece is modeled by a dixel-based volume (multi-level Z-Map model [11], Figure 1) while the volume swept by the rake faces is built using triangular tessellation of these rake faces. This proposal makes the assumption that wherever the tool passes, the corresponding workpiece material disappears. The tool is therefore considered as an erasing tool. In the actual configuration the dixel-based model of the volume is assigned to follow the actual displacement and deformation of the workpiece.

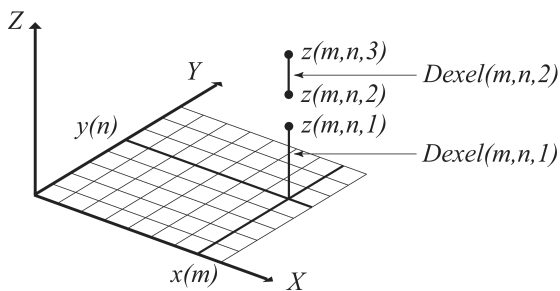


Figure 1: Multi-Level Z-Map model

A key point of our approach is to determine the tool/workpiece intersection in a particular con-

figuration, named the reference configuration ${}^R S$, where dexels are well distributed (straight and regularly spaced). A one-to-one mapping allows to move from this reference configuration to an undeformed configuration ${}^* S$ where the definition of the mesh of the workpiece was done (Figure 2). Then another one-to-one mapping is used to pass from ${}^* S$ to the actual configuration ${}^t S$ of the deformed workpiece and the actual configuration of the rake faces. This last transformation is defined by using the deformations of the workpiece mesh. More details of this strategy can be found in [12].

3 EXPERIMENTAL SETUP

The dynamics of a thin walled turning operation is studied in this paper. The general form of the workpiece is selected to present a dynamic behavior close to the dynamics of drums (shapes of the eigen modes), components that can be retrieved in turbofan aircraft engines.

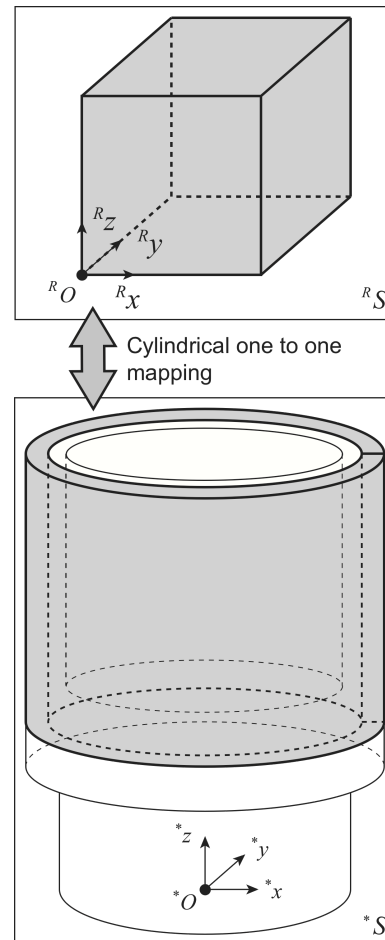


Figure 2: One-to-one mapping from ${}^R S$ to ${}^* S$

The experimental setup was also designed to enable the observation of the geometric defects on the machined surface and to guaranty the occurrence of chatter. As depicted in Figure 3 we choose a part with a high stiffness at the beginning of the machining (on the left) which pro-

gressively decreases as to tool progresses to the right.

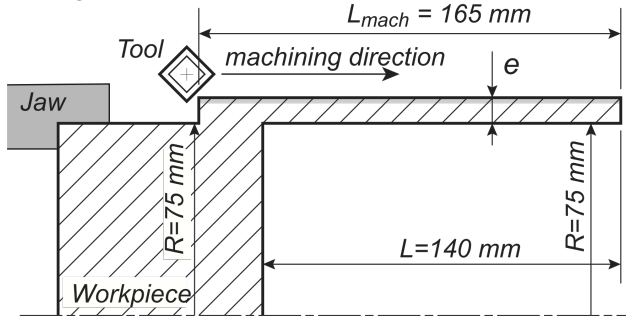


Figure 3: Section of the machined tube

4 NUMERICAL MODEL

4.1 General description

The numerical model is subdivided in 4 sub-models:

1. The finite element model of the workpiece: 10 nodes tetrahedrons are used for the mesh which is composed of 28,000 tetrahedrons (44,000 nodes). The characteristics of the material are given by table 1. The cutting tool is assumed to be rigid.
2. The dixel description of the workpiece: Figure 2 presents the used one-to-one correspondence from the material configuration R_S to the undeformed configuration S of the workpiece. In S the dexels are radial. The axial distance between 2 dexels is 0.0156 mm which gives 31,640,000 dexels for the whole volume.
3. The geometric model of the tool rake face: a triangular tessellation.
4. The cutting law: the coefficients of the used cutting law are given in table 2.

Young modulus	Density	Poisson coef.
$2.1 \cdot 10^{11}$ Pa	7.85 kg/m^3	0.3

Table 1: Characteristics of the material

$K_r = 245$ N	$K_t = 0$ N	$K_n = 1169$ N
$n_r = 0.134$	$n_t = 0$	$n_n = 0.715$

Table 2: Cutting law coefficients

A constant time increment equal to $3.5 \cdot 10^{-5}$ s has been used for the time integration and the convergence criterion of the Newton-Raphson iterative scheme is based on a force norm error equal to 10% of the mean cutting forces.

The sizes of the matrices related to equations (1) are important. The system is therefore expressed into the dual space of the eigen modes. Only the 13 first eigen modes are taken (eigen frequencies from 1687 up to 6070 Hz). \underline{M} , \underline{C} and \underline{K} are considered as constant along the machining operation. The set of eigen modes is

therefore also considered as constant along the path.

4.2 Workpiece dynamic model

The comparison between the three first experimentally obtained eigen values and simulated ones is given table 3. The measurements have been done whereas the workpiece remained mounted in the chuck of the lathe after machining.

Eigen modes	Measured freq.: f_M	Finite El. freq.: f_{FE}	$\frac{f_M - f_{FE}}{f_M}$
2 lobes	1,595 Hz	1,648 Hz	3.35%
bending	2,122 Hz	2,520 Hz	18.75%
3 lobes	2,661 Hz	2,659 Hz	-0.08%

Table 3: Eigen frequency comparison real/FE

The simulated and experimental results obtained for the first and the third one eigen values are very close but this is not the case for the second eigen value. This trend can be explained considering that the influences of the chuck and the jaws, or even of the spindle, are negligible for the modes called "2 lobes" and "3 lobes": these modes are local to the tube. This is not the case for the bending mode or for any modes which solicited heavily the attachment.

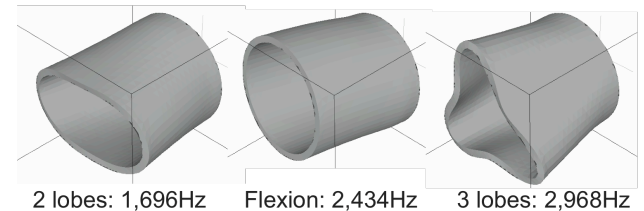


Figure 4: The three first eigen modes

This difference is also visible on the relative damping related to each mode. The measured damping coefficient for the "2 lobes" mode is equal to 0,00135, and equal to 0,001 for the "3 lobes" mode, whereas this coefficient is higher than 0,03 for the flexion mode.

For the simulation, the relative damping coefficients have been chosen equal to 0,00135 for the "2 lobes" mode, equal to 0.001 for the other "local" modes and equal to 0.05 for the modes involving the attachment. These values are very difficult to a priori select. The section 5.5 discusses the influence of damping on the chatter occurrence.

5 RESULTS AND DISCUSSION

Several axial toolpaths were necessary to obtain chatter during one of them. Chatter finally occurs during the path which imposed a reduc-

tion of the workpiece thickness from $e=9\text{ mm}$ up to $e=8\text{ mm}$. The cutting conditions of the machining operation were the followings:

- Cutting speed: 360m/mn,
- Feed per revolution: 0.25mm/rev,
- Radial depth of cut: 1mm.

The simulations were performed on a Macintosh PowerBook laptop with processor Intel Core 2 Duo, 2.5 GHz. The used random access memory was 2,5 GBytes SDRAM (667 MHz) and only one core was used (the program does not exploit parallelism). Generally the simulations were done only on a half-tube and required, in that case, 2 hours by simulation (4 hours for the whole tube).

5.1 Defects of the machined surface

The figure 5 shows the machined part. The chatter zone is clearly visible on the left of the part.

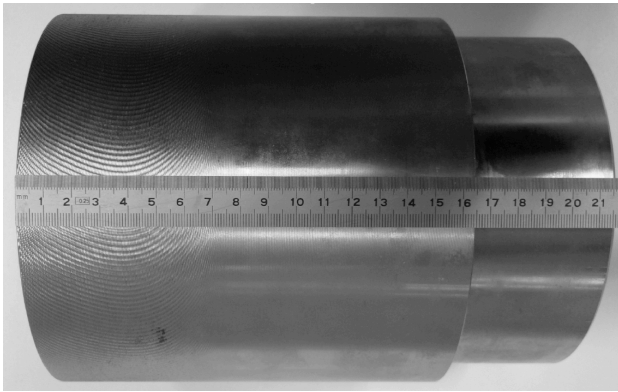


Figure 5: The machined surface

The frequency of chatter varies only very slightly (the observed angle α_w results from a very slow variation of this frequency) during the machining and remains very close to 3014Hz.

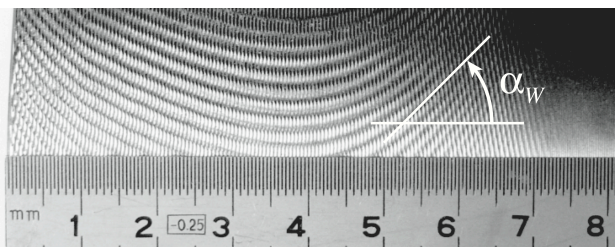


Figure 6: Chatter zone and wavelet slope

The detailed control of the chatter zone allows to identify the length of the zone affected by the chatter $L_B = 73\text{mm} \pm 1\text{mm}$ and the length from which the vibrations seem about to be stabilized in amplitude $L_V = 57\text{mm} \pm 2\text{mm}$. It is also possible to evaluate the number $N_V = 262$ of wavelets in the circumferential direction and the slope α_w of the wavelets which gradually varies from $45^\circ \pm 5^\circ$ up to $45^\circ \pm 5^\circ$.

Finally, the minimum and maximum heights of the wavelets Z_{Min} and Z_{Max} have been measured with respect to the non chattered surface: $Z_{Max} = 0.07\text{mm}$ and $Z_{Min} = -0.03\text{mm}$.

5.2 Simulation versus experiment

As shown in Figures 7 and 8, the simulation produces a surface having quite a resemblance with the real surface but also a certain number of differences.

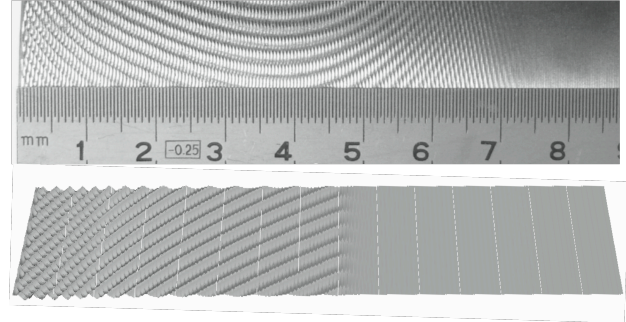


Figure 7: Experiment vs. Simulation - Large

The both simulated and experimental surfaces present two series of wavelets. The first series of wavelets, the most visible in Figure 7, presents a circumferential wavelength about 2mm and presents, for the real surface, a variable slope in the axial direction which evolves from 45° up to 45° . For the simulated surface, this series of wavelets presents on the other hand an almost constant slope of average 20° . The difference between the simulated and real frequency of chatter is about 9%. A very interesting aspect is that the simulation reproduces the fact that the chatter frequency remains almost constant in spite of the local stiffness of the part decreases when the tool progresses in the axial direction.

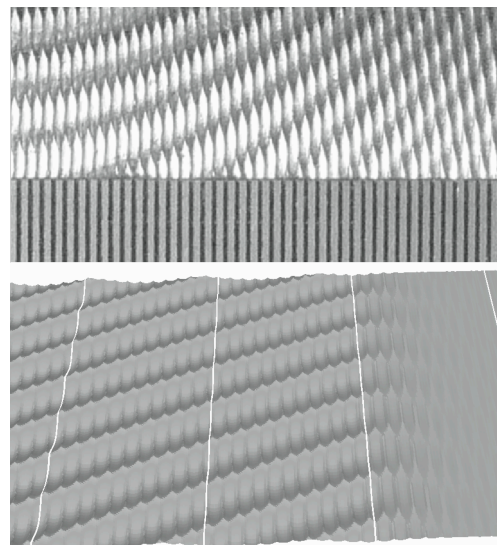


Figure 8: Experiment vs. Simulation - Detail

The second series of wavelets is perpendicular to the axial direction. The wavelength of this series is twice of the feed by revolution. This second series of wavelets, which are finer than the first series, is clearly visible on the Figure 8.

The chatter phenomena occurs later for the simulation ($L_B = 50\text{mm}$) than it appears in reality ($L_B = 75\text{mm}$). The distance between the beginning of the chatter and the "stabilized" chatter area is also longer in the reality than in the simulation. The difference of amplitude ($Z_{Max} - Z_{Min}$) is twice as important for the simulation.

5.3 Comments on numerical models

To estimate the convergence of the numerical results we compared these results with simulations obtained from different values of the numerical parameters: the number of modes, the number of dexels and the size of the time increment. The increase of the number of modes, the increase of the number of dexels or the decrease of the time increment do not generate significant differences on the obtained results. As for the number of modes it is interesting to note that a simulation with the only "2 lobes" and "3 lobes" modes is enough to reproduce the occurrence of chatter with however a slightly late occurrence (reduction of L_B of approximately 20%). The choice of the time increment is more critical because beyond a certain value it is not any more possible to correctly reproduce a phenomenon occurring with a frequency of 3,000Hz. Finally, it has been possible to reduce the number of dexels by a factor of 2 ($\sqrt{2}$ in every direction) without affecting the results. Using such a condition, the only difference appears with more perturbations on the calculated forces and a less detailed surface. The choice of the dexels sizes is directly related to the size of the defects that are to be observed. However a too small size, typically lower than 0.01mm, has no sense regarding the phenomena of material separation and is not coherent with the assumptions induced by the tool erasing model.

5.4 Tracks to improve the results

To achieve simulations more close to the reality different models can be improved and/or added. The cutting law might be improved. For example an increase of the tangent stiffness of the cutting model would tend to create earlier the chatter that would lead to move closer it to the reality. Besides, in the current numerical model, the consideration of a constant stiffness and a constant mass of the part during the machining operation can explain the absence of α_w angle variation. The gyroscopic effect, which is not also taken into account, may also contribute to

explain the observed difference. All these propositions remain naturally to be verified.

5.5 Influence of damping

This section deals with an important difficulty met during the definition of the numerical model: the modelling of damping. It is indeed particularly difficult to estimate the importance of the workpiece holder which plays an important role in the part machinability.

As it can be expected, the damping plays a key role in the chosen example (Figure 9). The machining is almost stable for an increase of only 20% of the relative damping ξ and is much more unstable for a 20% decrease.

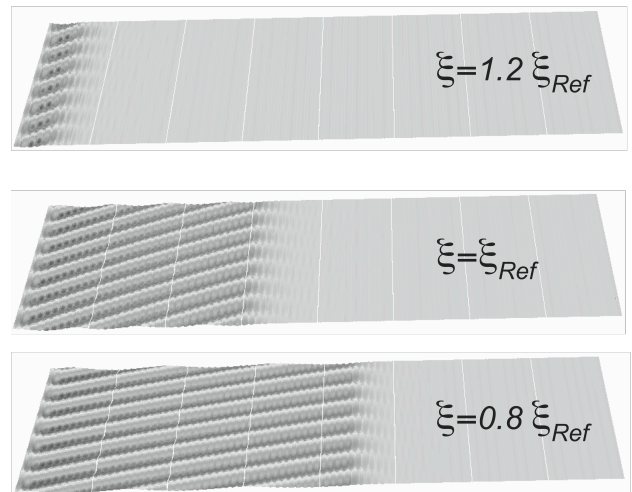


Figure 9: Damping influence

5.6 Modulation of the cutting speed

We numerically tested the influence of a periodic variation of the cutting speed on the chatter phenomena occurrence. The mathematical form chosen for the spindle frequency is the following:

$$f = f_0 \cdot \left(1 + \beta \sin\left(2\pi \frac{f_0}{5} t\right)\right). \quad (3)$$

This means that the frequency f of rotation of the spindle is modulated by a factor β around the frequency f_0 every 5 rotations. Even for a small value of β (5 percent) an important effect is observed in the proposed example (Figure 10). The case $\beta=10\%$ was not represented in Figure 10 because the phenomenon of chatter did not start any more.

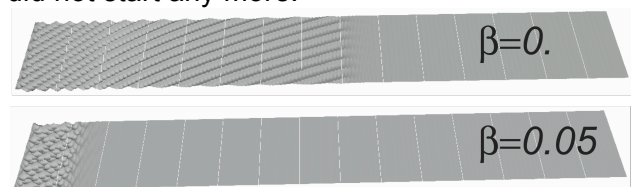


Figure 10: Cutting speed modulation

6 CONCLUDING REMARKS

Thanks to the used temporal approach it was possible to qualitatively reproduce the main defects observed on the machined surface. Even if differences remain, these first results seem to us very encouraging. Specific investigations are in progress to improve the present modeling: the quality of the cutting law, the considerations of the mass and part stiffness evolutions during machining as well as the gyroscopic effects will be taken into account in the future. However, the proposed approach allows right now to highlight the main trends based on numerical tests, as it can be seen in the sections 5.5 and 5.6. This paper shows that the proposed approach enables to study the influences of the main parameters of the model as well as the influences of the main cutting parameters.

ACKNOWLEDGMENTS

This work was supported by the SNECMA-SAFRAN group, under grant YQ/2007/00771.

REFERENCES

- [1] Merritt, H.E., 1965, Theory of self-excited machine tool chatter — Research i, *J. Engineering for Industry*, 17:447–454.
- [2] Altintas, Y, Weck, M, 2004, Chatter Stability of Metal Cutting and Grinding. *Annals of the CIRP* 53(2):619–642.
- [3] Ismail, F., Soliman, E., 1997, A new method for the identification of stability lobes in machining, *Int. J. Machine Tools & Manufacture*, 37(6):763–774.
- [4] Altintas, Y., Enginand, S., Budak, E., 1999, Analytical stability prediction and design of variable pitch cutters. *J. of Manufacturing Science and Engineering*, 121:173–178.
- [5] Altintas, Y, Stépan G, Merdol D, Dombovári, Z, 2008, Chatter Stability of Milling in Frequency and Discrete Time Domain, *CIRP Journal of Manufacturing Science and Technology*, 1:35–44.
- [6] Insperger, T., 2010, Full-discretization and semi-discretization for milling stability prediction: Some comment, *International Journal of Machine Tools & Manufacture*, 50:658-662.
- [7] Corduan, N., Costes J.-P., Lapujoulade, F., Larue, A., 2006, Experimental Approach of Milling Stability of Thin Walled Parts. Comparison with Time Domain Simulation, *CIRP International Workshop on Modeling of Machining Operations*, 59–69.
- [8] Biermann, A., Kersting, P., Surmann, T., 2010, A general approach to simulating workpiece vibrations during five-axis milling of turbine blades, *CIRP Annals - Manufacturing Technology*, 59:125-128.
- [9] Coffignal, G, Lorong, P, Planchat, J, Yaqub, S, Larue, A, 2007, Virtual Machining: a General Approach to Deal with Flexible Workpieces, *CIRP International Work-shop on Modeling of Machining Operations*, 477–483.
- [10] Kienzle, O., 1951, Die bestimmung von kräften und leistungen an spänenden werkzeugen und werkzeugmaschinen. *Z-VDI*, 94 :299–305.
- [11] Choi, B.K., Jerard, R.B., 1998, Sculptured surface machining, Kluwer Academic Publishers.
- [12] Lorong, P., Yvonnet, J. Coffignal, G., Cohen, S., 2006, Contribution of Computational Mechanics in Numerical Simulation of Machining and Blanking: State-of-the-Art, *Arch. Comput. Meth. Engng.*, 13(1):45-90.