

The University of Akron

IdeaExchange@UAkron

Williams Honors College, Honors Research
Projects

The Dr. Gary B. and Pamela S. Williams Honors
College

Spring 2021

Door Barricade

Alex Cerino

amc358@ziips.uakron.edu

Follow this and additional works at: https://ideaexchange.uakron.edu/honors_research_projects



Part of the [Applied Mechanics Commons](#), [Computer-Aided Engineering and Design Commons](#), [Electrical and Electronics Commons](#), and the [Manufacturing Commons](#)

Please take a moment to share how this work helps you [through this survey](#). Your feedback will be important as we plan further development of our repository.

Recommended Citation

Cerino, Alex, "Door Barricade" (2021). *Williams Honors College, Honors Research Projects*. 1324.
https://ideaexchange.uakron.edu/honors_research_projects/1324

This Dissertation/Thesis is brought to you for free and open access by The Dr. Gary B. and Pamela S. Williams Honors College at IdeaExchange@UAkron, the institutional repository of The University of Akron in Akron, Ohio, USA. It has been accepted for inclusion in Williams Honors College, Honors Research Projects by an authorized administrator of IdeaExchange@UAkron. For more information, please contact mjon@uakron.edu, uapress@uakron.edu.

Door Barricade

Alex Cerino

Mechanical Projects 001

Mr. Lukach

April 28, 2021

Table of Contents

Title Page.....	1
Table of Contents.....	2
Introduction.....	3
Body.....	3-5
Conclusion.....	5-6
Calculations.....	7-10
Drawings.....	11-29
Wiring Diagrams.....	11
Detail Drawings.....	12-30
References.....	31-32
Appendix.....	33-35

Introduction

My goal for this project was to create a unique mechanical device. My mechanical design project for the Mechanical Projects class is a door barricade. The barricade is designed to be used for school doors. It would specifically for when there is an intruder in the school. “The FBI designates an active shooter as one or more individuals actively engaged in killing or attempting to kill people in a populated area.” In 2019, three of 28 shootings occurred at schools, resulting in five killed and 15 wounded (FBI, 2020). My design for the door barricade will be easy to install on doors and easy to operate. It will have automatic opening and closing when active. The barricade will keep the door from being opened by any human. These functions are designed to help deter active shooters in schools and/or reduce the amounts of injuries and deaths. The two aspects of mechanical engineering technology that my capstone project will focus on are stress analysis and electronics. I did calculations for stress to determine the necessary material for the bars. This report will go into detail about the design of my door barricade, how it functions and the calculations.

Body

My mechanical capstone project is a door barricade that I designed. The purpose of the door barricade is to lock down school doors so they cannot be opened in case of an emergency. This is meant specifically for active shooter situations to reduce the number of injuries and deaths. My design will be made from steel, so it is strong enough to stand up to gun fire and someone trying to pull down the door. The design of the door barricade is made so it gets mounted to the door and has two bars that block the door from being pulled open. The main part of the barricade is mounted to the door inside the room. There is a steel plate that is attached to the outside of the door for keeping the barricade secure. The barricade extends to 40 inches in

length, because the average classroom door is 36 inches wide (Erardi, 2020). My door barricade design uses electronics and mechanical devices to function.

The door barricade runs on electricity and the use of springs. The main part of my design has bars with springs attached to them and a solenoid that acts on the bar and spring. My design has a base that all of the parts set in. The two bars, springs and solenoid are set in a horizontal channel that holds them in place. There are multiple stages of how the barricade functions. When there is not power going to the solenoids, the bars will be extended via the spring which locks the door. When there is power going to the solenoids, they will pull in the bar with their magnetic field which retracts the bars and opens the door. The power for the barricade will be controlled by a toggle switch and a photo eye.

The power for the door barricade will come through the wall and door into the device through a hole in the base. The wires for power will split to run into the toggle switch and photo eye simultaneously so that they are connected in parallel. The toggle switch for my design is from the Nilight Store on Amazon. The photo eye that I found for my design was from AutomationDirect. After the toggle switch and photo eye, the wires come together and go to both of the solenoids, so they receive power them at the same time. There is also an alarm that is wired in after the photo eye, so that it goes off when someone would step in front of the door and activate the photo eye. The purpose of this is to let a teacher know if a student is trying to leave the room during a lockdown. A backup battery is wired in before the photo eye after the initial wire splits. This allows the door to be opened by the photo eye, if an intruder were to cut the power to the school. I drew the wires how they would be wired if the door barricade was made. There are wiring diagrams in my drawing section to show how everything is wired but in a ladder diagram format.

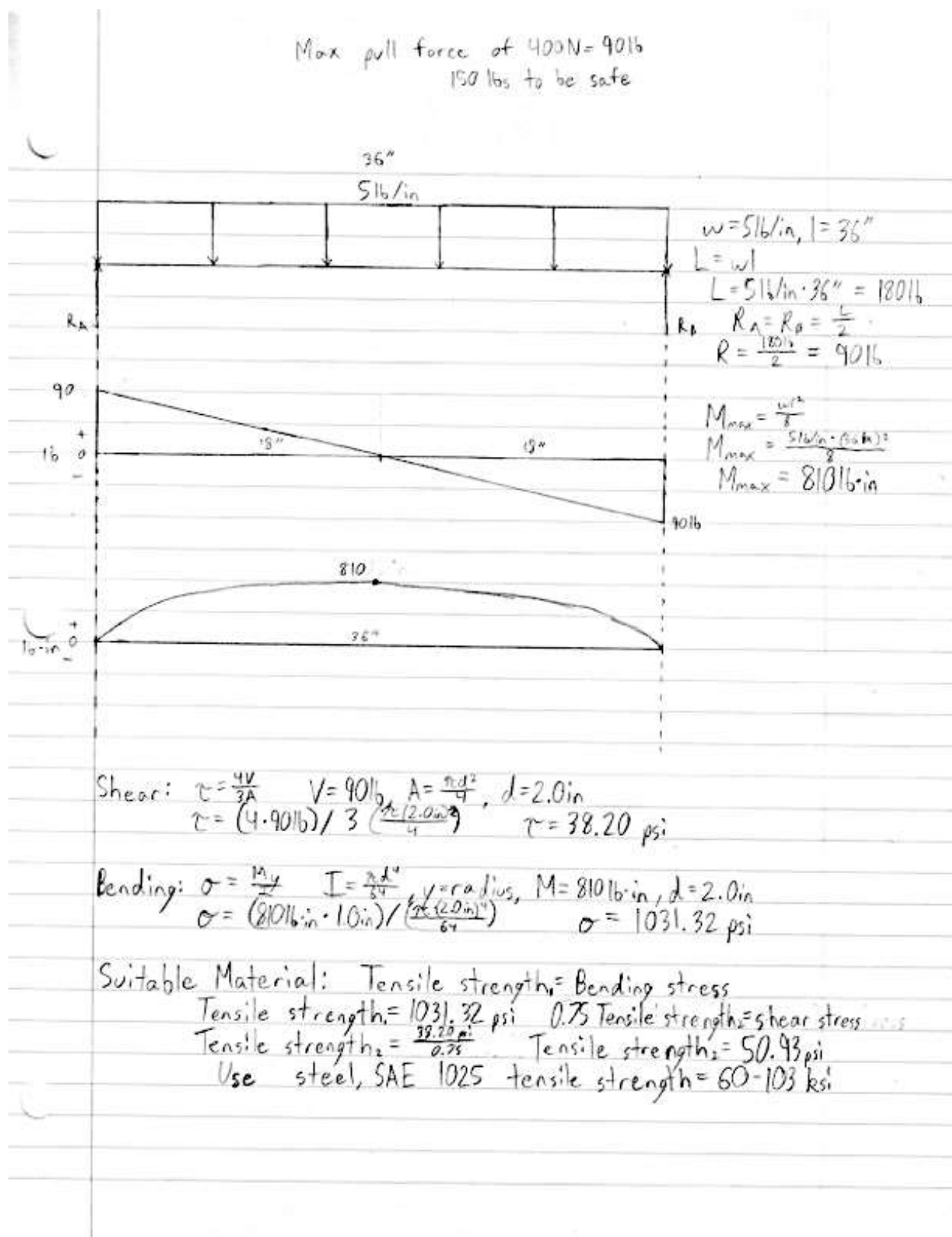
My door barricade design has multiple design considerations based on safety. The first is the back up battery described previously. It is used to keep the barricade functioning when the power goes out which could be due to an intruder in a school or just a power outage caused by a storm. The battery is designed to be like a LiPo battery I found which allows it to be replaced and recharged when necessary (maxamps.com). There is also an alarm that warns teachers about the barricade being opened during a lockdown. The alarm is designed based on one I found that can be bought from floydbell.com. I designed the barricade with a steel plate outside the door so it can't be ripped out of the door. The bolts on the outside of the door have round heads, so they can't be unscrewed. Another safety feature was that I made my design be able to withstand the stress it could experience if someone was to try to pull the door open. I used information that I found to make shear and moment diagrams based on a few scenarios. I also calculated what kind of spring I would need to hold the bars securely in place. I took all of these factors into consideration when designing my door barricade for the capstone project.

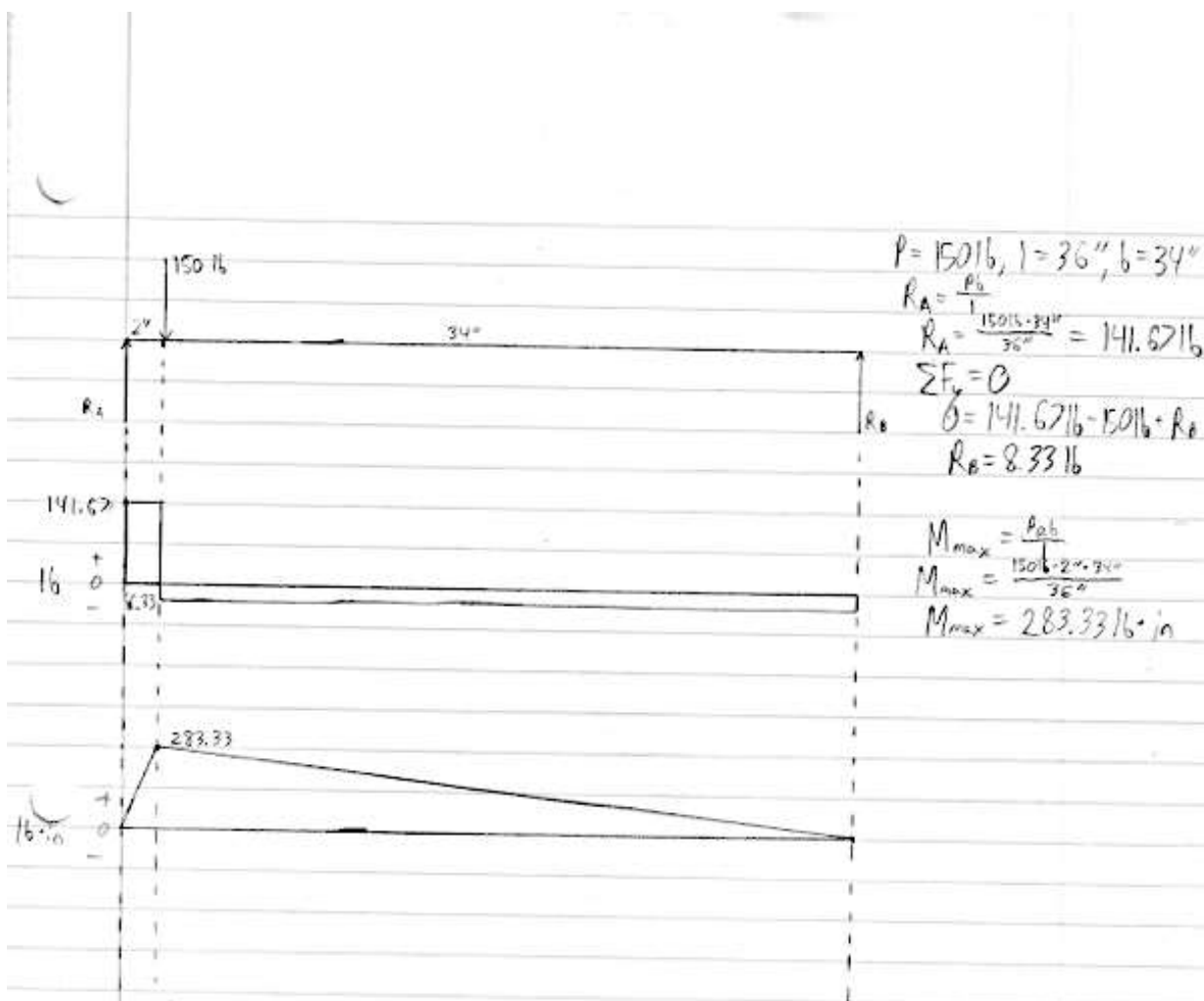
Conclusion:

My door barricade for the MET senior capstone project was designed for use in schools in the case of an intruder or active shooter. The basic part of the design is that it keeps the door from being opened. I did calculations based on the stress that the door could experience if someone was trying to pull it open. I found a study that listed the greatest pull strength of a standing man was 400N which is about 89.9lb (Das, 2015). Therefore, I used 150lb just to add a factor of safety to my design. I found diagrams of the different load types from the "BEAM DIAGRAMS AND FORMULAS For Various Static Loading Conditions" book. I used three scenarios consisting of a distributed load, a concentrated central load and concentrated load at a point (the door handle). From that I calculated the shear and bending stress for each scenario to

determine an approximate tensile strength needed. Then I used the Machinery's Handbook to determine that I can use steel 1025 for my bars in my design. It has a tensile strength of 60ksi which is way higher than my highest tensile strength of about 1,719psi. I chose steel instead of aluminum, because it is a cheaper material. From there I calculated the weight of each bar to determine what kind of spring I would need to move the bar. Based on my calculations, I found a spring on McMaster-Carr. I found a solenoid on Amazon that has a force of about 180lb (800N), so it should be able to pull the weight of the bar against the spring. All of my detailed calculations are down below under the calculations section. My door barricade was designed to be very safe, since it would be protecting kids in a school from an active shooter. There are changes though that could be made to my door barricade design to make it even safer. There could be some sort of special unlocking mechanism that would allow police to get into a school room if they needed to. A monitoring device could be made to allow a principal of a school to monitor each of the barricades during a lockdown to make sure everyone is safe. This is my finished door barricade design for my senior MET capstone project.

Calculations





Shear: $\tau = \frac{4V}{3A}$ $V = 141.67 \text{ lb}$ $A = \frac{\pi d^2}{4}$ $d = 2.0 \text{ in}$
 $\tau = \frac{4 \cdot 141.67}{3 \cdot (\pi \cdot (2.0)^2 / 4)}$ $\tau = 60.13 \text{ psi}$

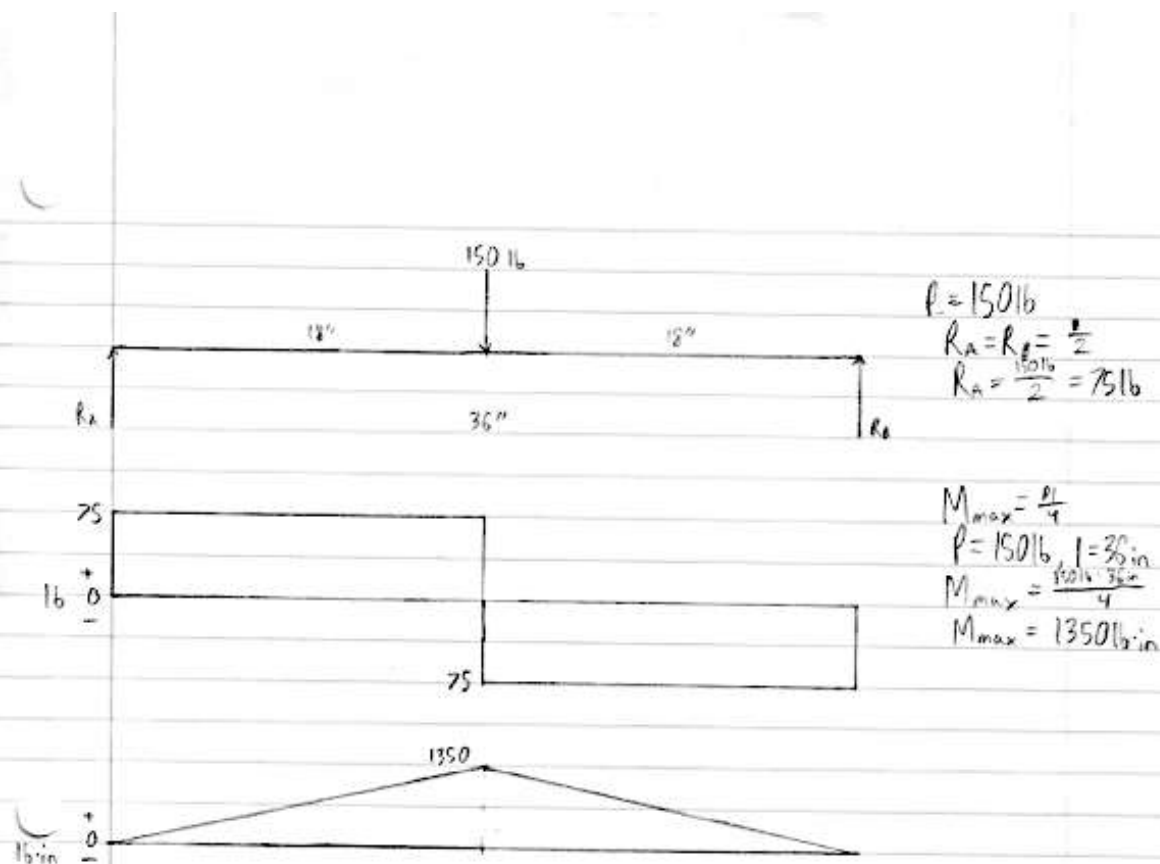
Bending: $\sigma = \frac{My}{I}$ $I = \frac{\pi d^4}{64}$, $y = \text{radius}$, $M = 283.33 \text{ lb} \cdot \text{in}$, $d = 2.0 \text{ in}$
 $\sigma = (283.33 \text{ lb} \cdot \text{in} \cdot 1.0 \text{ in}) / (\frac{\pi (2.0 \text{ in})^4}{64})$ $\sigma = 300.75 \text{ psi}$

Suitable Material: Tensile strength = bending stress

Tensile strength = 300.75 psi $0.75 \cdot \text{Tensile strength} = \text{Shear stress}$

Tensile strength = $\frac{60.13 \text{ psi}}{0.75}$ Tensile strength = 80.17 psi

Use steel, SAE 1025 tensile strength = 60-103 ksi



Shear: $\tau = \frac{4V}{3A}$ $V = 75 \text{ lb}$, $A = \frac{\pi d^2}{4}$, $d = 2.0 \text{ in}$
 $\tau = \frac{4 \cdot 75 \text{ lb}}{3 \cdot \frac{\pi (2.0 \text{ in})^2}{4}}$ $\tau = 31.83 \text{ psi}$

Bending: $\sigma = \frac{My}{I}$ $I = \frac{\pi d^4}{64}$, $y = \text{radius}$, $M = 1350 \text{ lb-in}$, $d = 2.0 \text{ in}$
 $\sigma = \frac{1350 \text{ lb-in} \cdot 1.0 \text{ in}}{\frac{\pi (2.0 \text{ in})^4}{64}}$ $\sigma = 1718.87 \text{ psi}$

Suitable Material: Tensile strength = Bending stress
 Tensile strength = 1718.87 psi O/S: Tensile strength = Shear stress
 Tensile strength = $\frac{31.83 \text{ psi}}{0.5}$ Tensile strength = 42.44 psi
 Use steel, SAE 1025 tensile strength = 60-103 psi

Memaster cart
has spring constant

Spring strength needed:

$$\text{Weight of bar} = \rho V \quad V = \pi r^2 h$$

$$\rho = 0.2839 \text{ lb/in}^3, r_1 = 1.0 \text{ in}, h_1 = 14.35 \text{ in}, r_2 = 0.75 \text{ in}, h_2 = 2.00 \text{ in}$$

$$V_1 = \pi (1.0 \text{ in})^2 \cdot 14.35 \text{ in} = 45.08 \text{ in}^3 \quad V_2 = \pi (0.75 \text{ in})^2 \cdot 2.00 \text{ in} = 3.53 \text{ in}^3$$

$$V = 45.08 \text{ in}^3 + 3.53 \text{ in}^3 = 48.61 \text{ in}^3 \quad W = 0.2839 \text{ lb/in}^3 \cdot 48.61 \text{ in}^3 = 13.80 \text{ lb}$$

$$wd = 0.20 \text{ in}, OD = 2.00 \text{ in}, L = 4.20 \text{ in}, n_a = 6$$

$$F = -kx \quad F = -13.80 \text{ lb}, x = L - L_c, L_c = wd(n_a + 1)$$

$$L_c = 0.20 \text{ in} (6 + 1) = 1.40 \text{ in} \quad x = 4.20 \text{ in} - 1.40 \text{ in} = 2.80 \text{ in}$$

$$k = \frac{F}{-x} \quad k = \frac{-13.80 \text{ lb}}{-2.80 \text{ in}} \quad [k = 4.93 \text{ lb/in}]$$

Spring selected:

$$L = 4.0 \text{ in}, OD = 2.188 \text{ in}, ID = 1.774 \text{ in}, \text{Max load} = 176 \text{ lb},$$

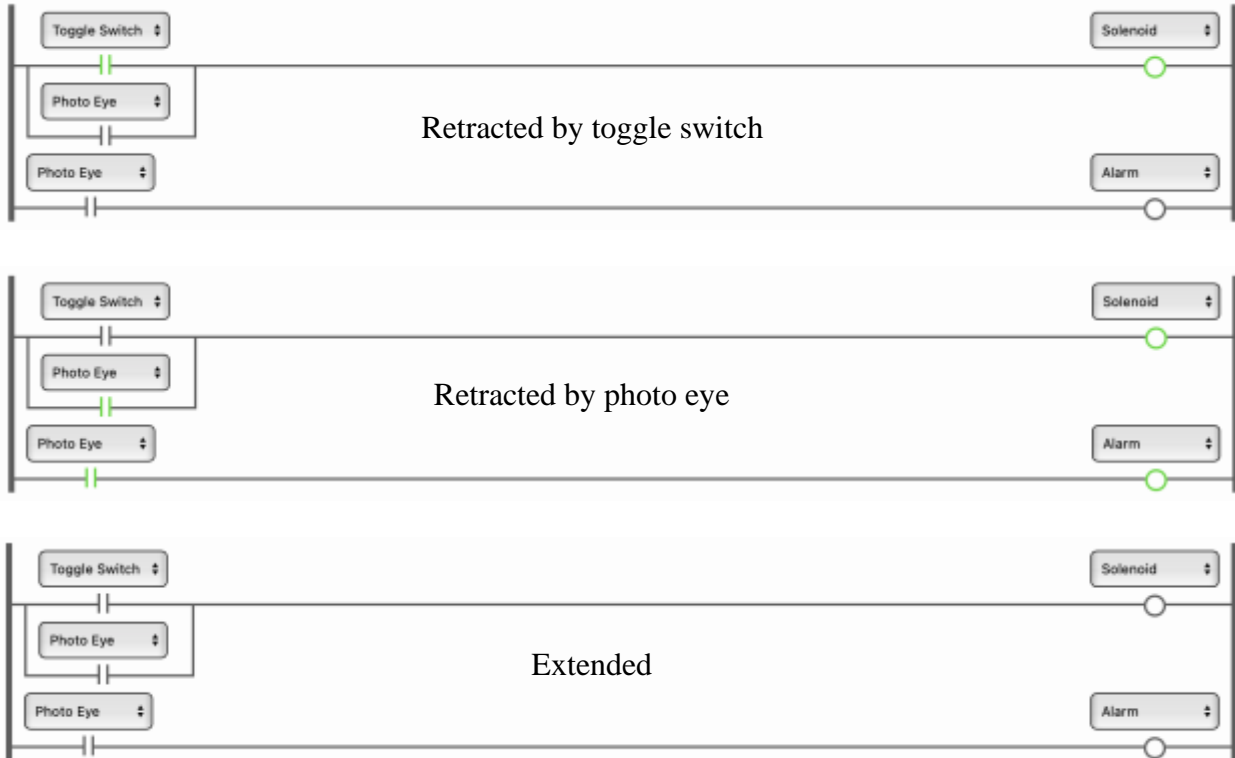
$$\text{Rate} = 68 \text{ lb/in}, \text{Material} = \text{spring-tempered steel}, L_g = 1.45 \text{ in},$$

$$\text{End} = \text{closed and ground}$$

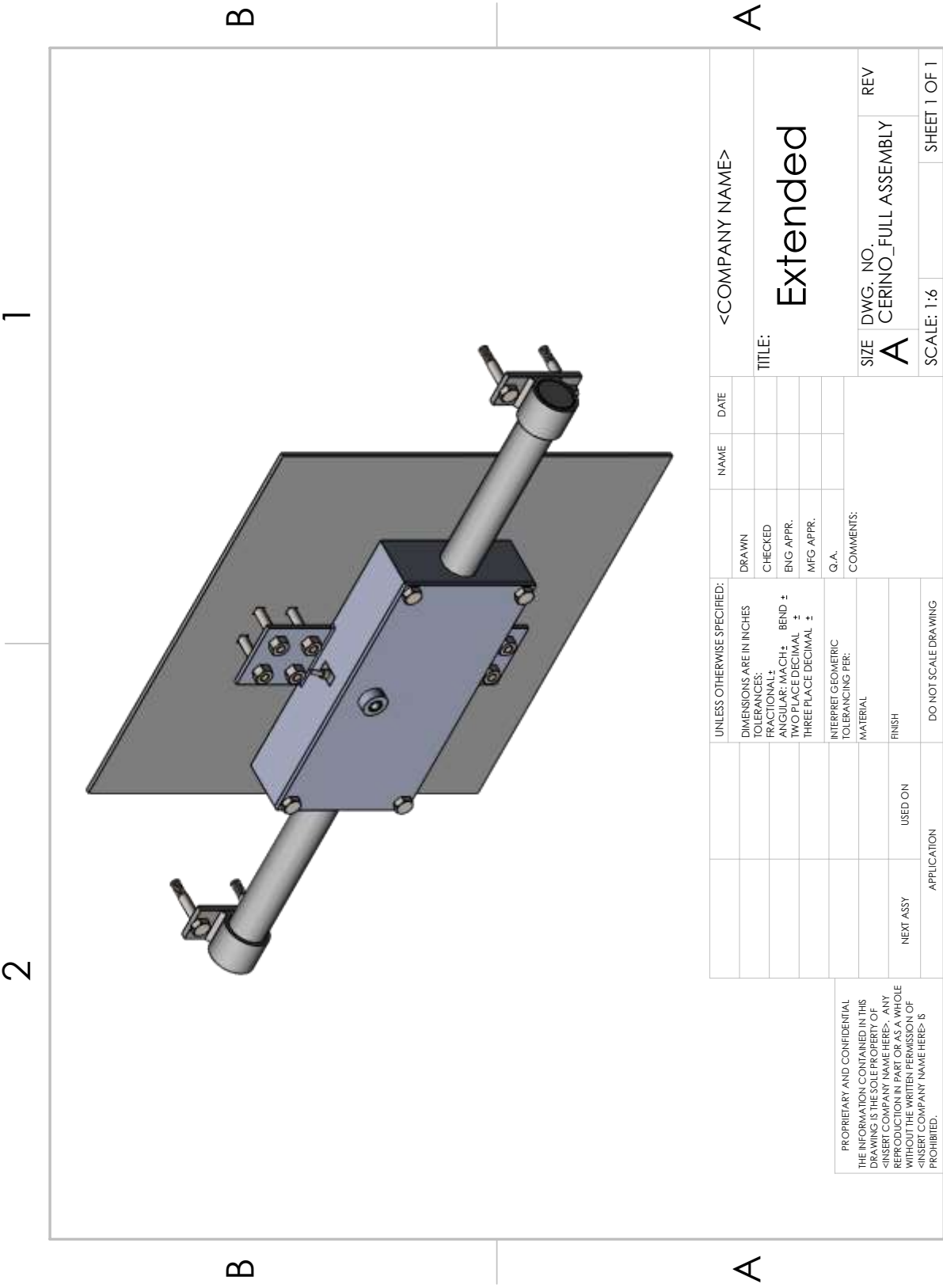
Spring selected max load = 176 lb > Weight of bar = 13.80 lb
This makes the new spring work.

Drawings

Wiring Diagrams:



Detail Drawings:

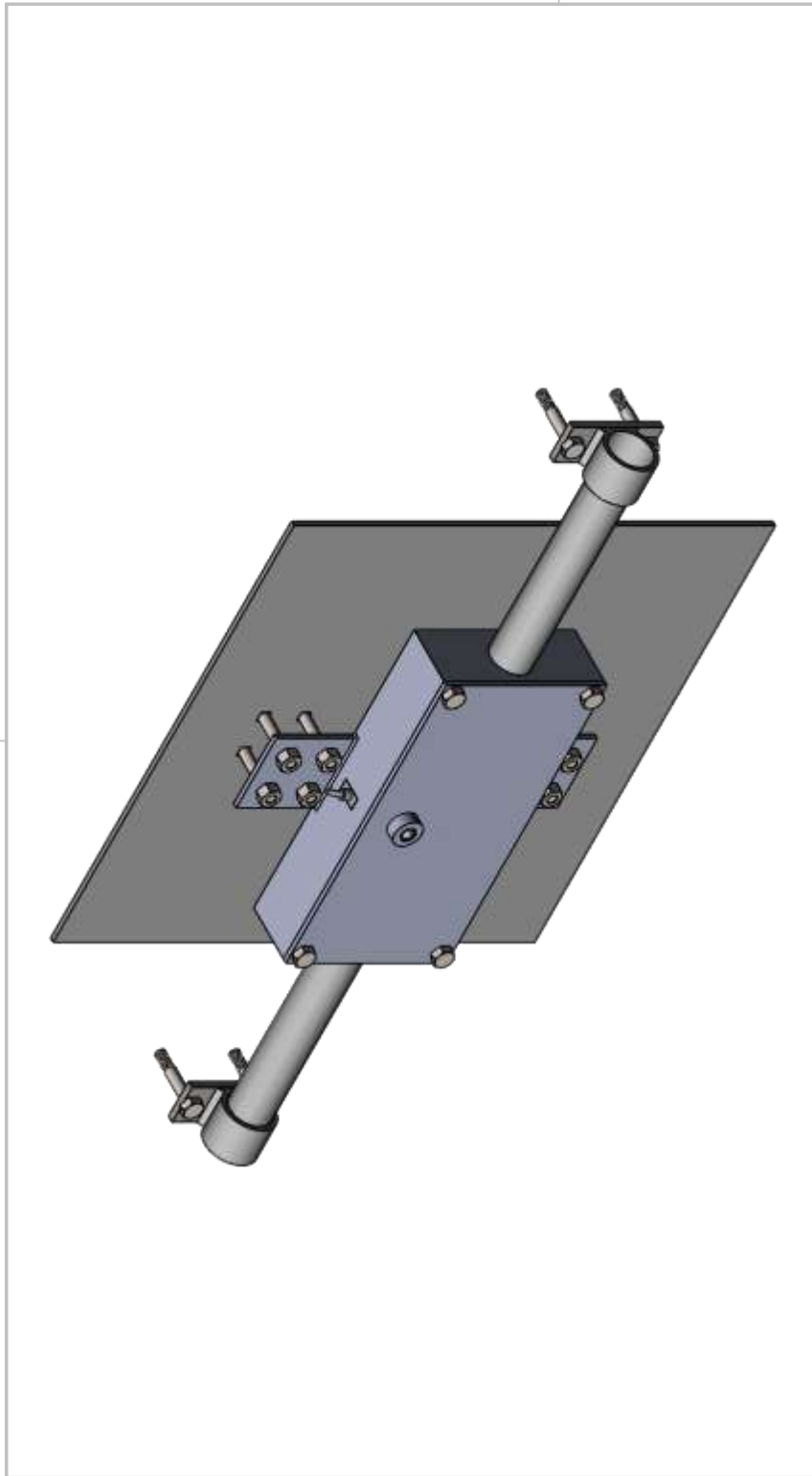


PROPRIETARY AND CONFIDENTIAL
 THE INFORMATION CONTAINED IN THIS
 DRAWING IS THE SOLE PROPERTY OF
 <INSERT COMPANY NAME HERE>. ANY
 REPRODUCTION IN PART OR AS A WHOLE
 WITHOUT THE WRITTEN PERMISSION OF
 <INSERT COMPANY NAME HERE> IS
 PROHIBITED.

UNLESS OTHERWISE SPECIFIED:		DRAWN		NAME		DATE		<COMPANY NAME>	
DIMENSIONS ARE IN INCHES		CHECKED						TITLE:	
TOLERANCES:		ENG APPR.						Extended	
FRACTIONAL: ±		MFG APPR.						SIZE DWG. NO.	
ANGULAR: MACH ±		G.A.						A CERINO_FULL ASSEMBLY	
BEND ±		COMMENTS:						REV	
TWO PLACE DECIMAL ±		MATERIAL						SCALE: 1:6	
THREE PLACE DECIMAL ±		FINISH						SHEET 1 OF 1	
INTERPRET GEOMETRIC TOLERANCING PER:		USED ON							
APPLICATION		DO NOT SCALE DRAWING							
NEXT ASSY									

1

2



B

B

A

A

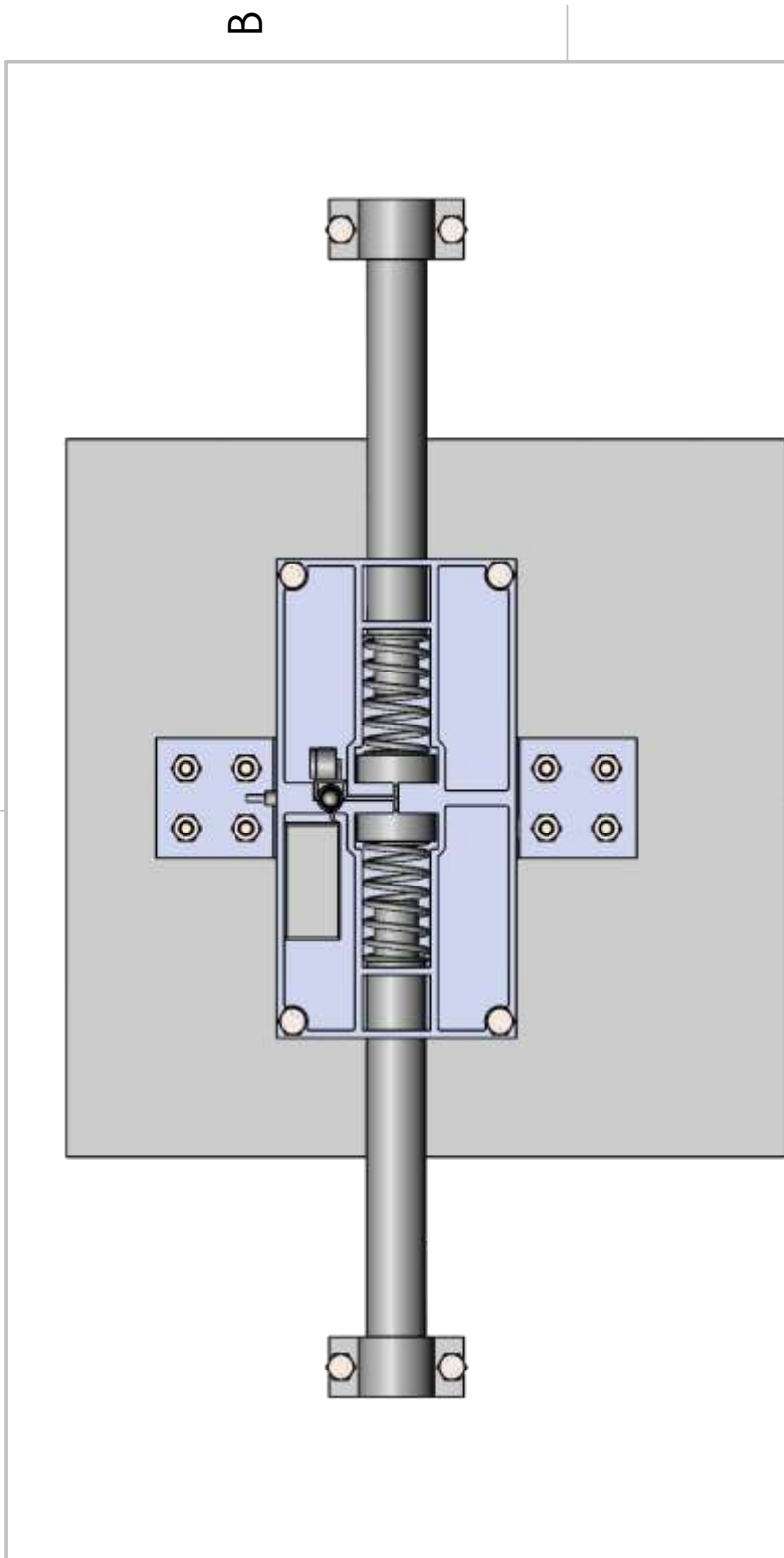
		UNLESS OTHERWISE SPECIFIED:		NAME	DATE	<COMPANY NAME>	
		DIMENSIONS ARE IN INCHES		DRAWN		TITLE:	
		TOLERANCES:		CHECKED		Retracted	
		FRACTIONAL ±		ENG APPR.		SIZE	DWG. NO.
		ANGULAR: MACH. BEND ±		MFG APPR.		A	Ceino_Full Assembly
		TWO PLACE DECIMAL ±		Q.A.		SCALE:	REV
		THREE PLACE DECIMAL ±		COMMENTS:		1:6	1
		INTERPRET GEOMETRIC TOLERANCING PER:				SHEET 1 OF 1	
		MATERIAL					
		FINISH					
NEXT ASSY		USED ON					
APPLICATION		DO NOT SCALE DRAWING					

PROPRIETARY AND CONFIDENTIAL
 THE INFORMATION CONTAINED IN THIS
 DRAWING IS THE SOLE PROPERTY OF
 <INSERT COMPANY NAME HERE>. ANY
 REPRODUCTION IN PART OR AS A WHOLE
 WITHOUT THE WRITTEN PERMISSION OF
 <INSERT COMPANY NAME HERE> IS
 PROHIBITED.

2

1

2



PROPRIETARY AND CONFIDENTIAL THE INFORMATION CONTAINED IN THIS DRAWING IS THE SOLE PROPERTY OF <INSERT COMPANY NAME HERE>. ANY REPRODUCTION IN PART OR AS A WHOLE WITHOUT THE WRITTEN PERMISSION OF <INSERT COMPANY NAME HERE> IS PROHIBITED.		UNLESS OTHERWISE SPECIFIED:		DRAWN		NAME		DATE		<COMPANY NAME>	
		DIMENSIONS ARE IN INCHES TOLERANCES: FRACTIONAL: ± ANGULAR: MACH ± BEND ± TWO PLACE DECIMAL ± THREE PLACE DECIMAL ±		CHECKED ENG APPR. MFG APPR.		Q.A. COMMENTS:				TITLE: Internals	
INTERPRET GEOMETRIC TOLERANCING PER: MATERIAL		FINISH USED ON		NEXT ASSY		APPLICATION		DO NOT SCALE DRAWING		SIZE DWG. NO. A CERINO_FULL INTERNALS REV	
										SCALE: 1:5 SHEET 1 OF 1	

A

A

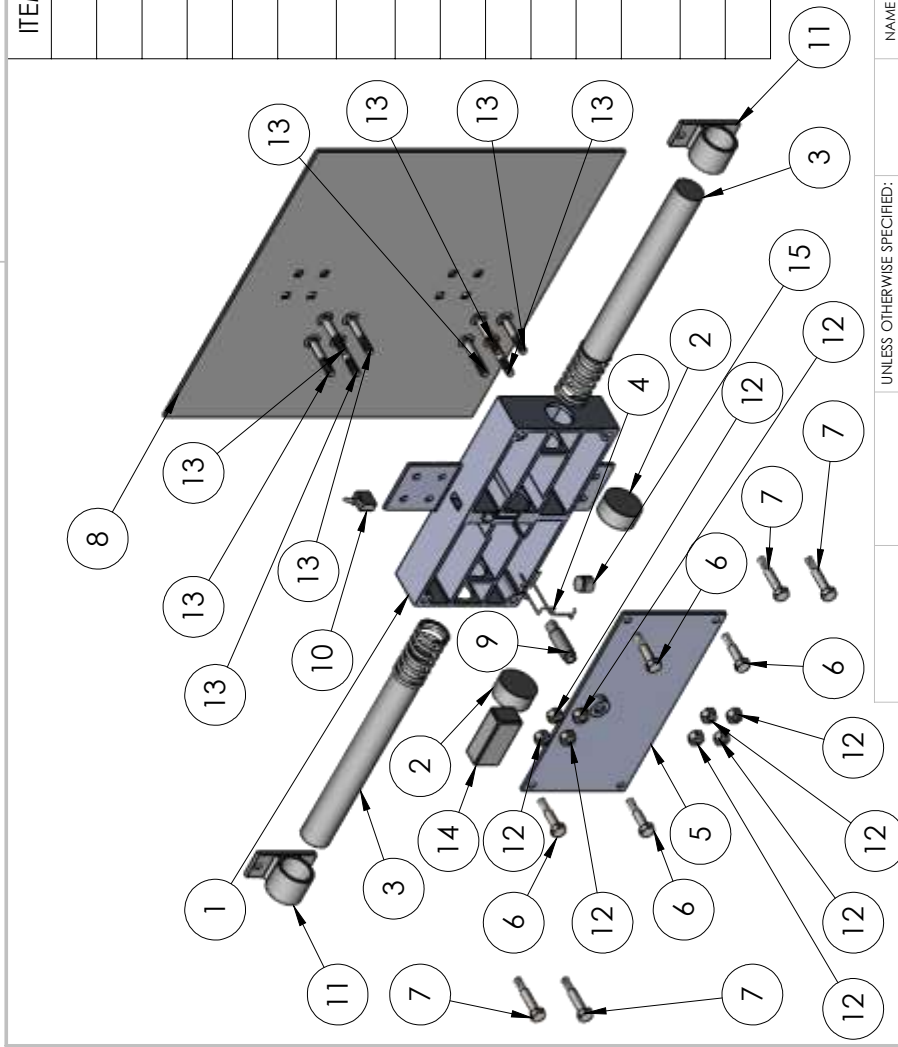
2

1

2

1

ITEM NO.	PART NUMBER	QTY.
1	Cerino_Base	1
2	Cerino_Solenoid	2
3	Cerino_Bar Assembly	2
4	Cerino_Wires	1
5	Cerino_Top	1
6	HHBOLT 0.5000-20x2.5x1-S	4
7	HHBOLT 0.5000-20x3x1-S	4
8	Cerino_Plate	1
9	Cerino_Photo Eye	1
10	Cerino_Toggle Switch	1
11	Cerino_Bracket	2
12	HHNUT 0.5000-20-B-S	8
13	RHSNBOLT 0.5-13x3x1.25-S	8
14	Cerino_Battery	1
15	Cerino_Alarm	1



B

A

A

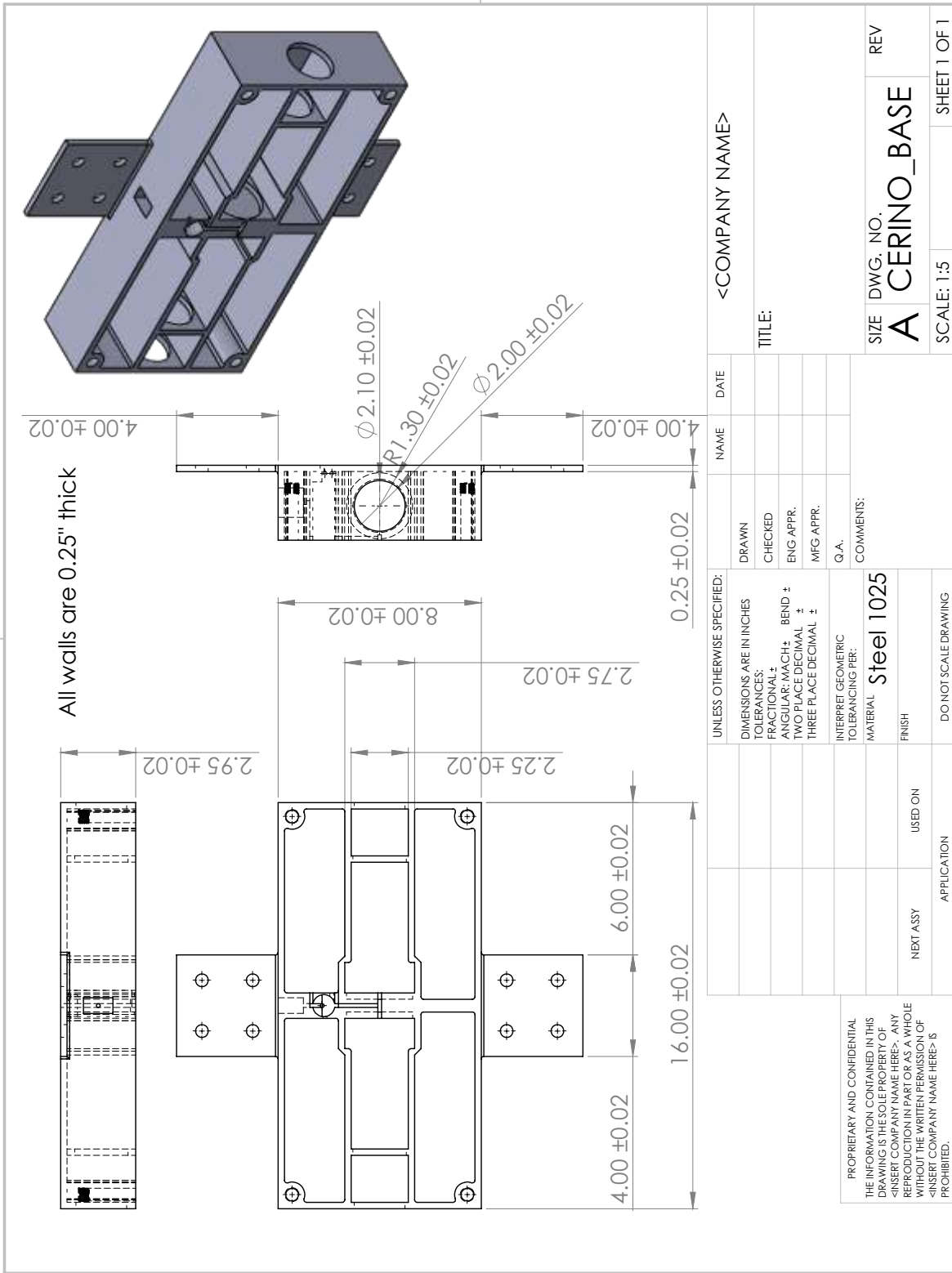
UNLESS OTHERWISE SPECIFIED:		NAME	DATE	<COMPANY NAME>	
DIMENSIONS ARE IN INCHES	DRAWN			TITLE:	
TOLERANCES:	CHECKED				
FRACTIONAL: ±	ENG APPR.				
ANGULAR: MACH ± BEND ±	MFG APPR.				
TWO PLACE DECIMAL ±	Q.A.				
THREE PLACE DECIMAL ±	COMMENTS:				
INTERPRET GEOMETRIC TOLERANCING PER:	MATERIAL			SIZE DWG. NO. REV	
	FINISH			A CERINO_FULL ASSEMBLY	
PROPRIETARY AND CONFIDENTIAL THE INFORMATION CONTAINED IN THIS DRAWING IS THE SOLE PROPERTY OF <INSERT COMPANY NAME HERE>. ANY REPRODUCTION IN PART OR AS A WHOLE WITHOUT THE WRITTEN PERMISSION OF <INSERT COMPANY NAME HERE> IS PROHIBITED.	USED ON			SCALE: 1:10 SHEET 1 OF 1	
	APPLICATION				

2

1

2

1

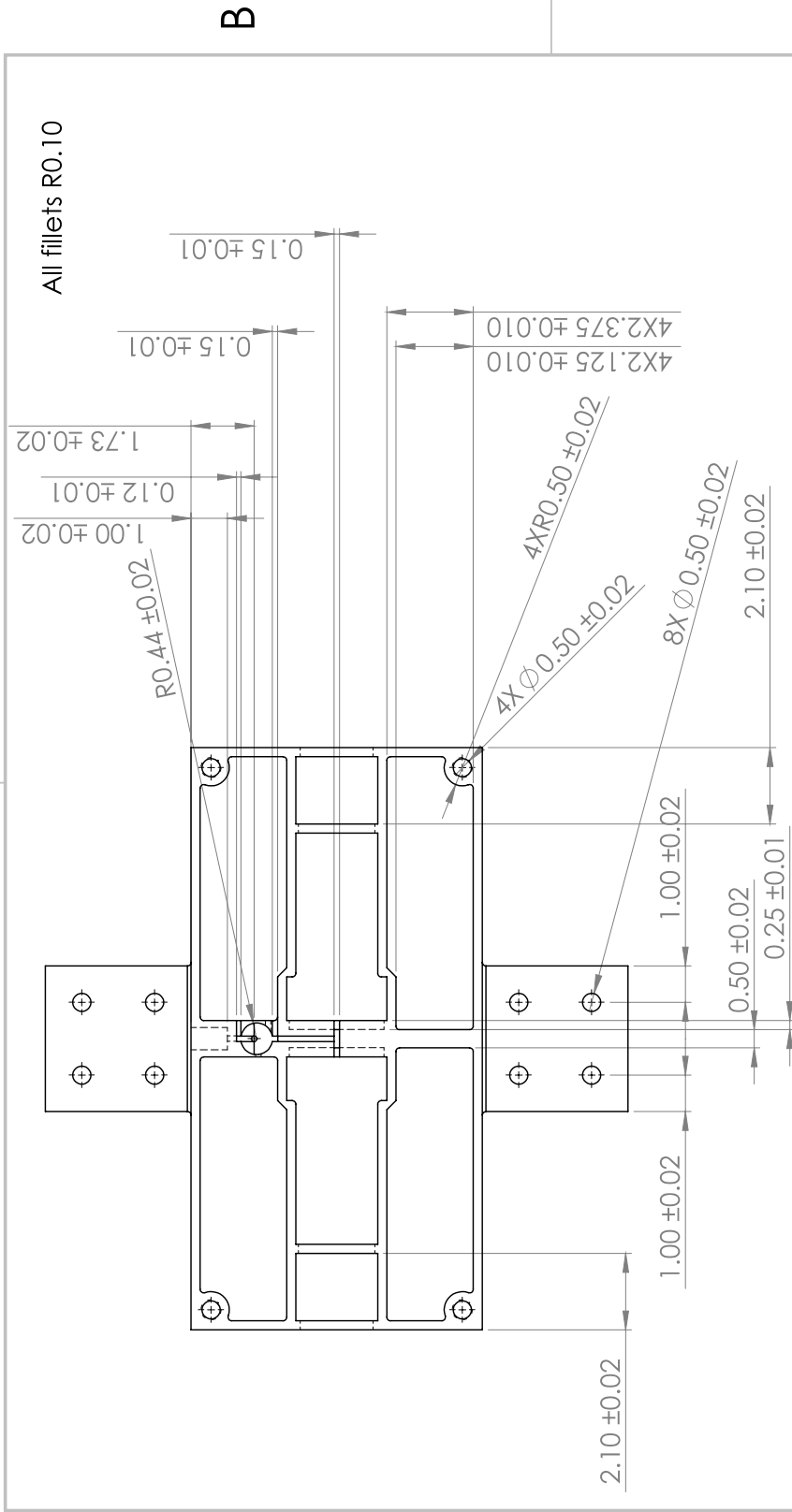


2

1

2

1



B

B

A

A

UNLESS OTHERWISE SPECIFIED:		NAME	DATE	<COMPANY NAME>	
DIMENSIONS ARE IN INCHES	DRAWN			TITLE:	
TOLERANCES:	CHECKED			REV	
FRACTIONAL:	ENG. APPR.			A CERINO_BASE CONT.	
ANGULAR: MACH ± BEND ±	MFG APPR.			SCALE: 1:4	
TWO PLACE DECIMAL ±	Q.A.			SHEET 1 OF 1	
THREE PLACE DECIMAL ±	COMMENTS:				
INTERPRET GEOMETRIC TOLERANCING PER:					
MATERIAL: Steel 1025					
FINISH:					
USED ON:					
APPLICATION:					
NEXT ASSY:					
DO NOT SCALE DRAWING					

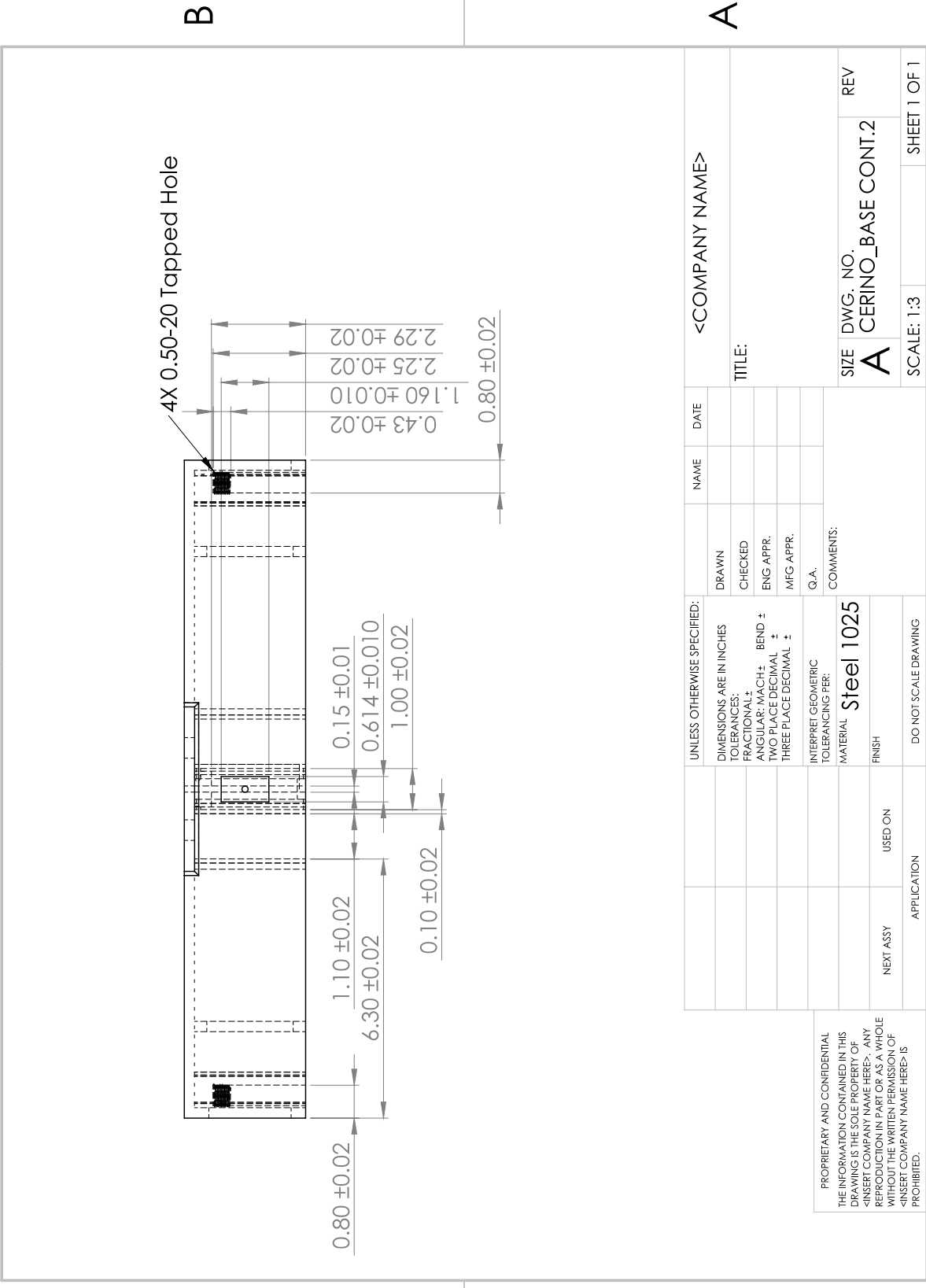
PROPRIETARY AND CONFIDENTIAL
 THE INFORMATION CONTAINED IN THIS
 DRAWING IS THE SOLE PROPERTY OF
 SOLIDWORKS CORPORATION. ANY
 REPRODUCTION OR TRANSMISSION OF
 THIS DRAWING WITHOUT THE WRITTEN PERMISSION OF
 SOLIDWORKS CORPORATION IS
 PROHIBITED.

2

1

2

1



A

A

UNLESS OTHERWISE SPECIFIED:		NAME	DATE	<COMPANY NAME>	
DIMENSIONS ARE IN INCHES		DRAWN		TITLE:	
TOLERANCES:		CHECKED			
FRACTIONAL: ±		ENG APPR.			
ANGULAR: MACH ± BEND ±		MFG APPR.			
TWO PLACE DECIMAL ±		Q.A.			
THREE PLACE DECIMAL ±		COMMENTS:			
INTERPRET GEOMETRIC TOLERANCING PER:				SIZE	DWG. NO.
MATERIAL Steel 1025				A	CERINO_BASE CONT.2
FINISH				REV	
NEXT ASSY	USED ON			SCALE: 1:3	SHEET 1 OF 1
APPLICATION					
DO NOT SCALE DRAWING					

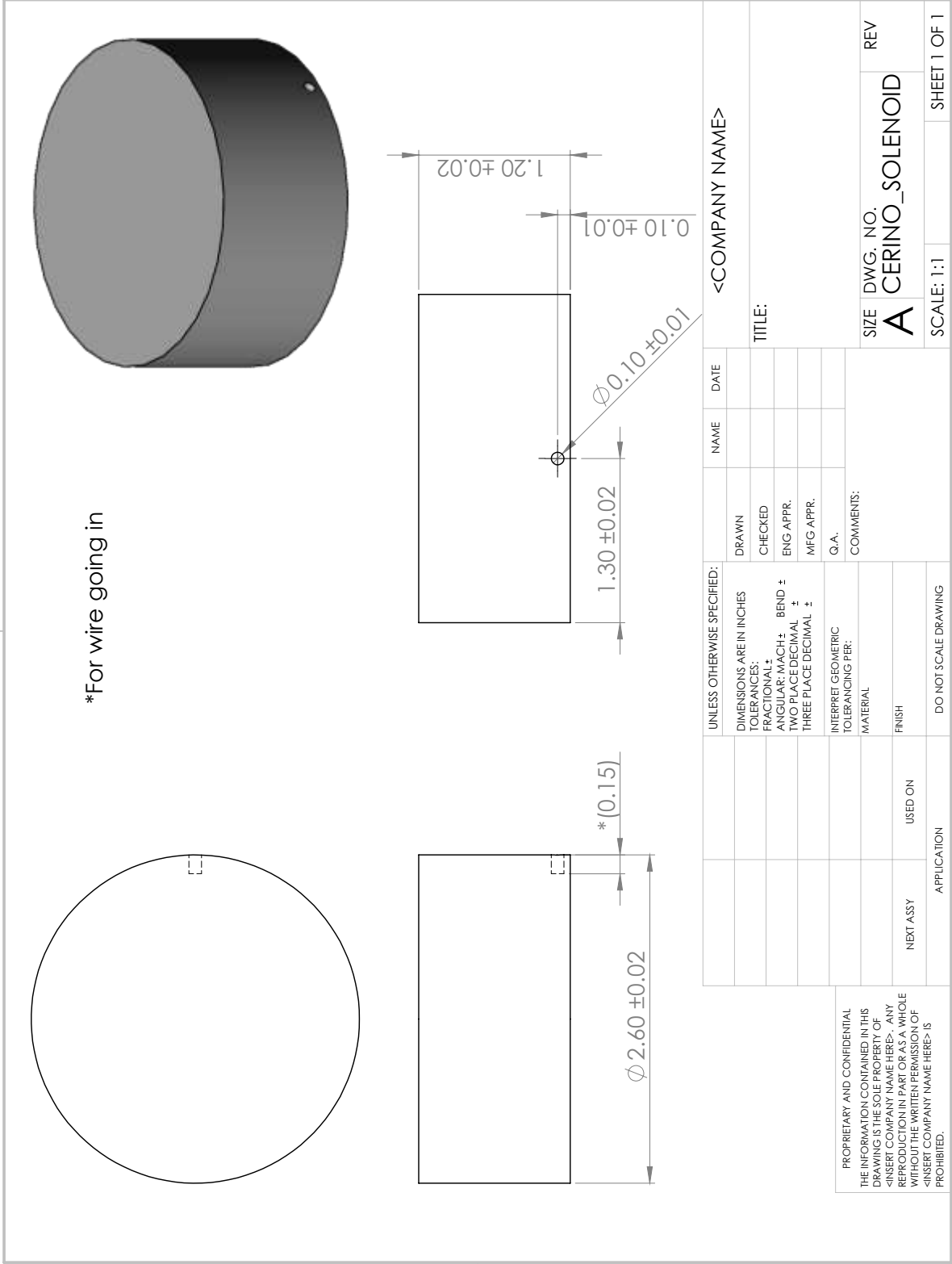
PROPRIETARY AND CONFIDENTIAL
 THE INFORMATION CONTAINED IN THIS
 DRAWING IS THE SOLE PROPERTY OF
 <INSERT COMPANY NAME HERE>. ANY
 REPRODUCTION IN PART OR AS A WHOLE
 WITHOUT THE WRITTEN PERMISSION OF
 <INSERT COMPANY NAME HERE> IS
 PROHIBITED.

2

1

2

1



B

A

B

A

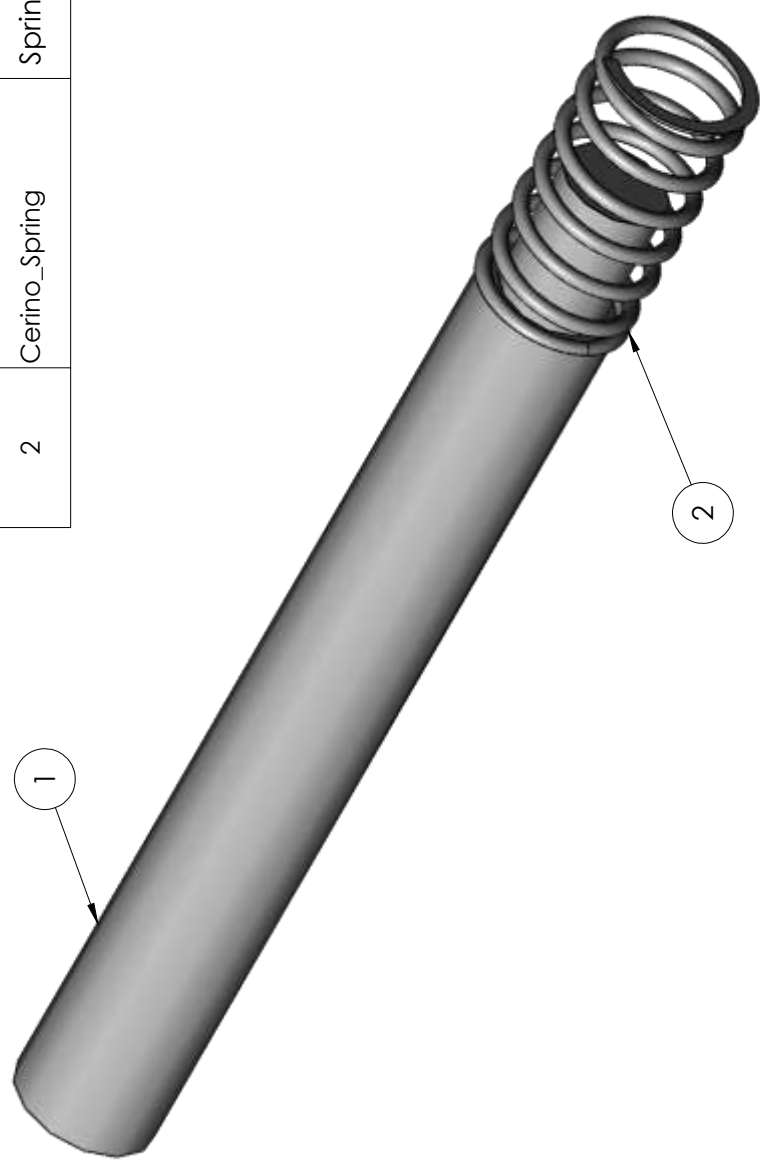
2

1

1

2

ITEM NO.	PART NUMBER	MATERIAL	QTY.
1	Cerino_Bar	Steel 1025	1
2	Cerino_Spring	Spring-Tempered Steel	1



B

B

A

A

UNLESS OTHERWISE SPECIFIED:		NAME	DATE	<COMPANY NAME>	
DIMENSIONS ARE IN INCHES		DRAWN		TITLE:	
TOLERANCES:		CHECKED			
FRACTIONAL: ±		ENG APPR.			
ANGULAR: MACH: ± BEND ±		MEG APPR.			
TWO PLACE DECIMAL ±		Q.A.		SIZE DWG. NO. CERINO_BAR ASSEMBLY REV	
THREE PLACE DECIMAL ±		COMMENTS:		SCALE: 1:2 SHEET 1 OF 1	
INTERPRET GEOMETRIC TOLERANCING PER:					
MATERIAL					
FINISH					
DO NOT SCALE DRAWING					
APPLICATION		USED ON			
NEXT ASSY					

PROPRIETARY AND CONFIDENTIAL
 THE INFORMATION CONTAINED IN THIS
 DRAWING IS THE SOLE PROPERTY OF
 <INSERT COMPANY NAME HERE>. ANY
 REPRODUCTION IN PART OR AS A WHOLE
 WITHOUT THE WRITTEN PERMISSION OF
 <INSERT COMPANY NAME HERE> IS
 PROHIBITED.

1

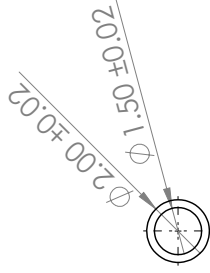
2

2

1

B

B



A

A

PROPRIETARY AND CONFIDENTIAL
 THE INFORMATION CONTAINED IN THIS
 DRAWING IS THE SOLE PROPERTY OF
 <INSERT COMPANY NAME HERE>. ANY
 REPRODUCTION IN PART OR AS A WHOLE
 WITHOUT THE WRITTEN PERMISSION OF
 <INSERT COMPANY NAME HERE> IS
 PROHIBITED.

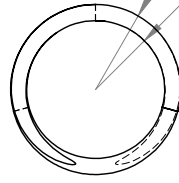
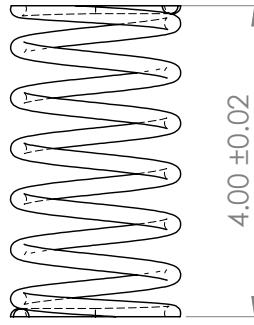
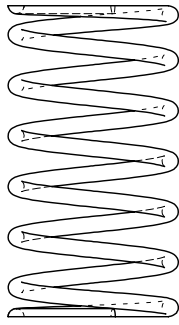
UNLESS OTHERWISE SPECIFIED:		NAME	DATE	<COMPANY NAME>	
DIMENSIONS ARE IN INCHES		DRAWN		TITLE:	
TOLERANCES:		CHECKED		SIZE DWG. NO.	
FRACTIONALS ±		ENG APPR.		A CERINO_BAR	
ANGULAR: MACH ± BEND ±		MFG APPR.		REV	
TWO PLACE DECIMAL ±		Q.A.		SCALE: 1:5	
THREE PLACE DECIMAL ±		COMMENTS:		SHEET 1 OF 1	
INTERPRET GEOMETRIC TOLERANCING PER:					
MATERIAL Steel 1025					
FINISH					
NEXT ASSY		USED ON			
APPLICATION					

2

1

2

1



B

B

A

A

PROPRIETARY AND CONFIDENTIAL
 THE INFORMATION CONTAINED IN THIS
 DRAWING IS THE SOLE PROPERTY OF
 SOLIDWORKS. IT IS TO BE USED ONLY
 FOR THE SPECIFIC PART, PROJECT, OR
 REPRODUCTION IN PARTS THEREOF, AND
 WITHOUT THE WRITTEN PERMISSION OF
 SOLIDWORKS, NO OTHER REPRODUCTION
 OR DISSEMINATION OF THIS INFORMATION IS
 PROHIBITED.

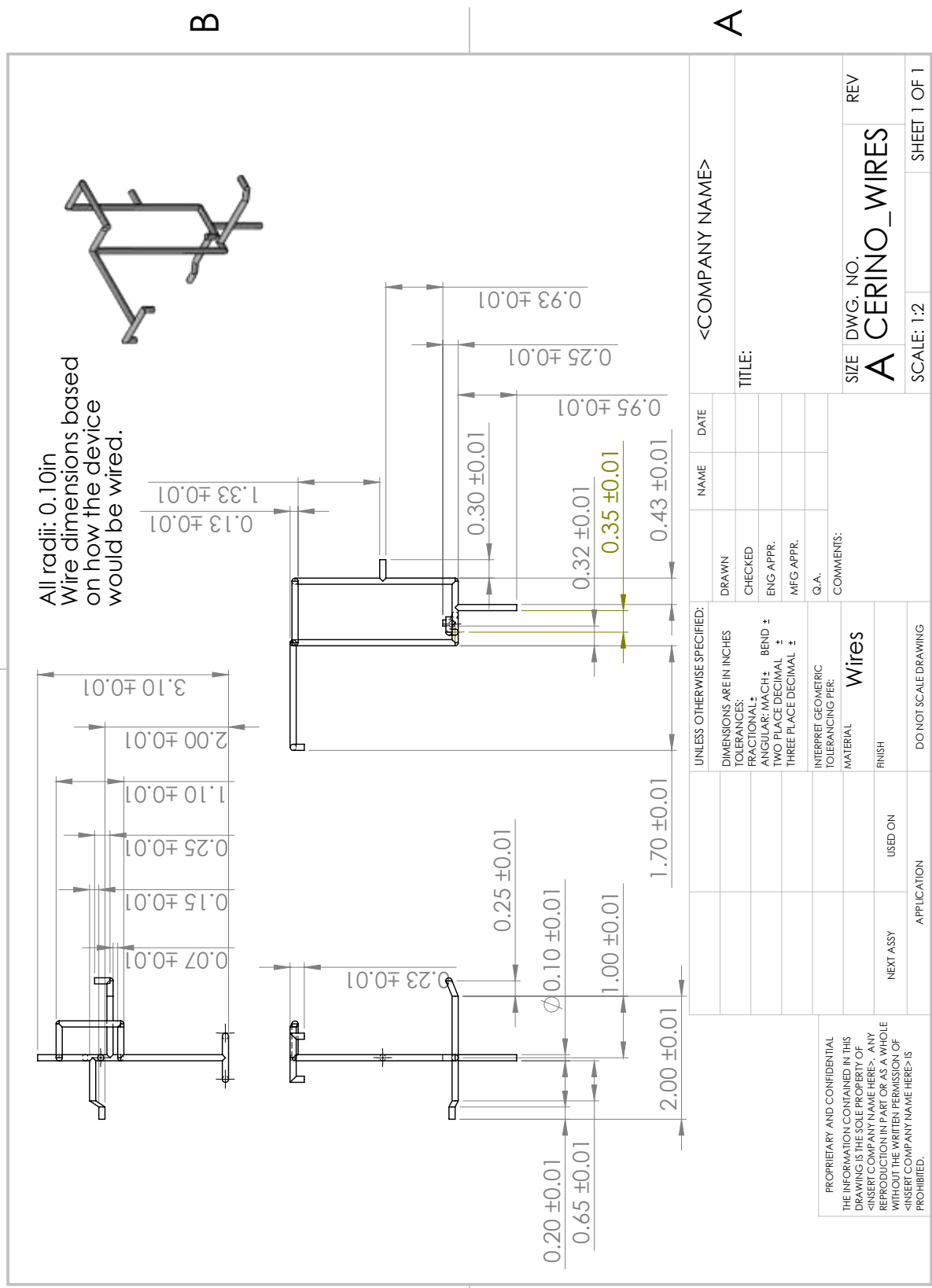
UNLESS OTHERWISE SPECIFIED: DIMENSIONS ARE IN INCHES TOLERANCES: FRACTIONAL ± ANGULAR: MACH ± BEND ± TWO PLACE DECIMAL ± THREE PLACE DECIMAL ± INTERPRET GEOMETRIC TOLERANCING PER: MATERIAL Spring-Tempered Steel FINISH NEXT ASSY USED ON APPLICATION		DRAWN CHECKED ENG. APPR. MFG APPR. Q.A. COMMENTS:	NAME DATE	<COMPANY NAME>
TITLE:		TITLE:		
SIZE	DWG. NO.	REV		REV
A	CERINO_SPRING	A		
SCALE: 1:2		SHEET 1 OF 1		

2

1

1

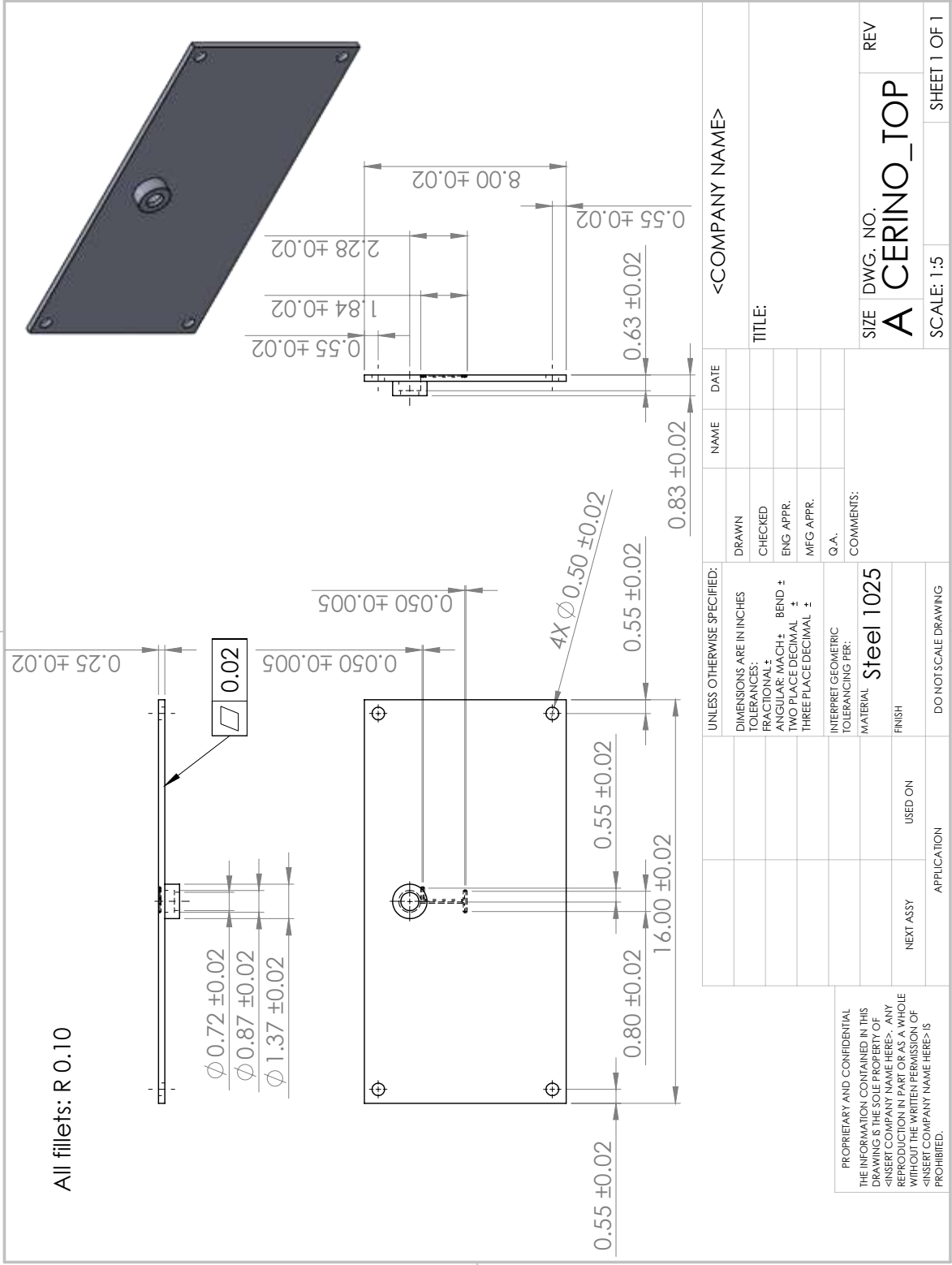
2



2

2

1



A

B

A

B

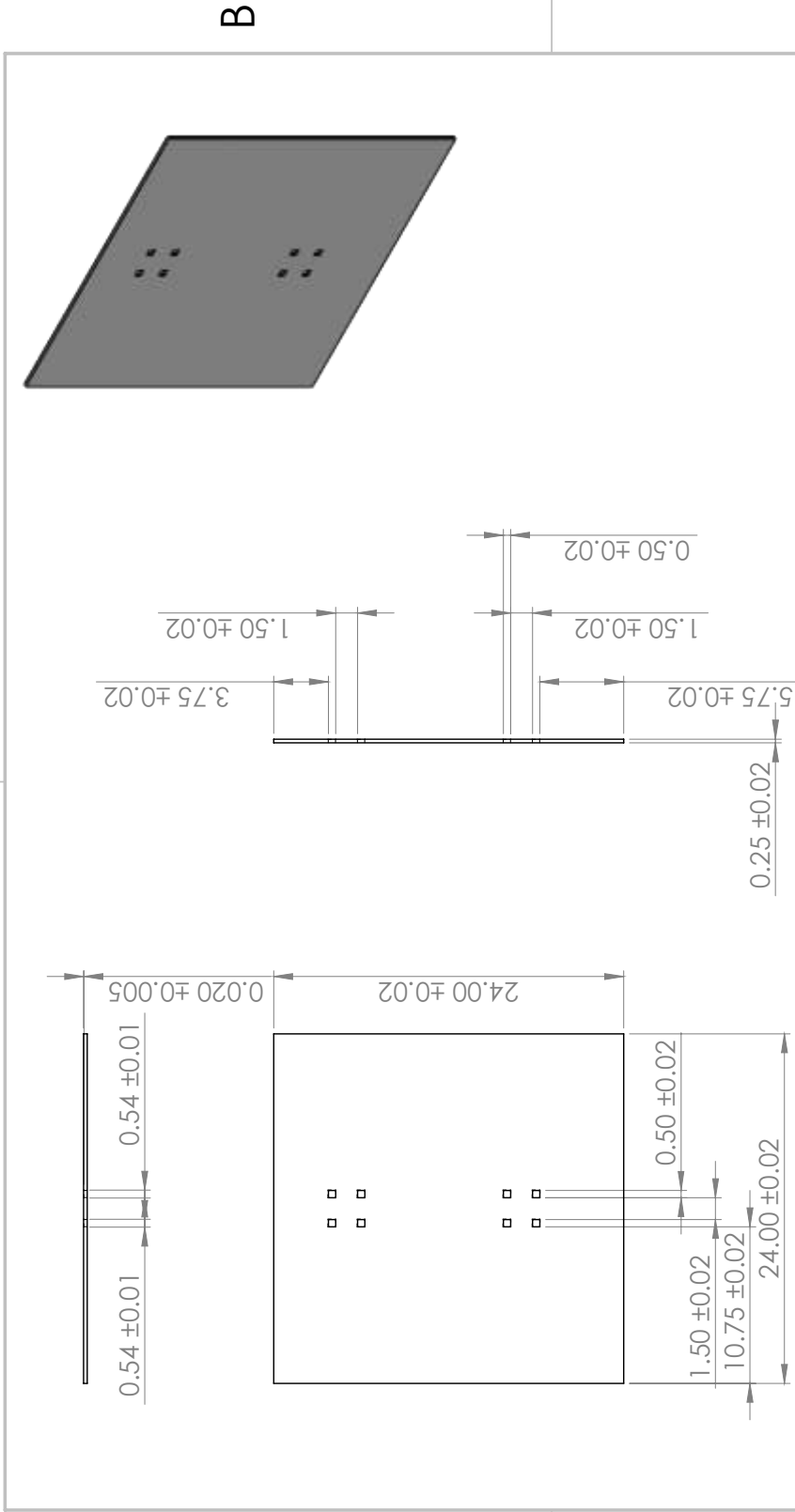
UNLESS OTHERWISE SPECIFIED:		DRAWN		NAME		DATE		<COMPANY NAME>	
DIMENSIONS ARE IN INCHES		CHECKED						TITLE:	
TOLERANCES:		ENG. APPR.						SIZE DWG. NO.	
FRACTIONAL: \pm		MFG APPR.						A CERINO_TOP	
ANGULAR: MACH \pm		Q.A.						SCALE: 1:5	
TWO PLACE DECIMAL \pm		COMMENTS:						SHEET 1 OF 1	
THREE PLACE DECIMAL \pm								REV	
INTERPRET GEOMETRIC TOLERANCING PER:		MATERIAL						Steel 1025	
FINISH		USED ON							
NEXT ASSY		APPLICATION							
DO NOT SCALE DRAWING									
PROPRIETARY AND CONFIDENTIAL THE INFORMATION CONTAINED IN THIS DRAWING IS THE SOLE PROPERTY OF <INSERT COMPANY NAME HERE>. ANY REPRODUCTION IN PART OR AS A WHOLE WITHOUT THE WRITTEN PERMISSION OF <INSERT COMPANY NAME HERE> IS PROHIBITED.									

2

1

2

1



A

A

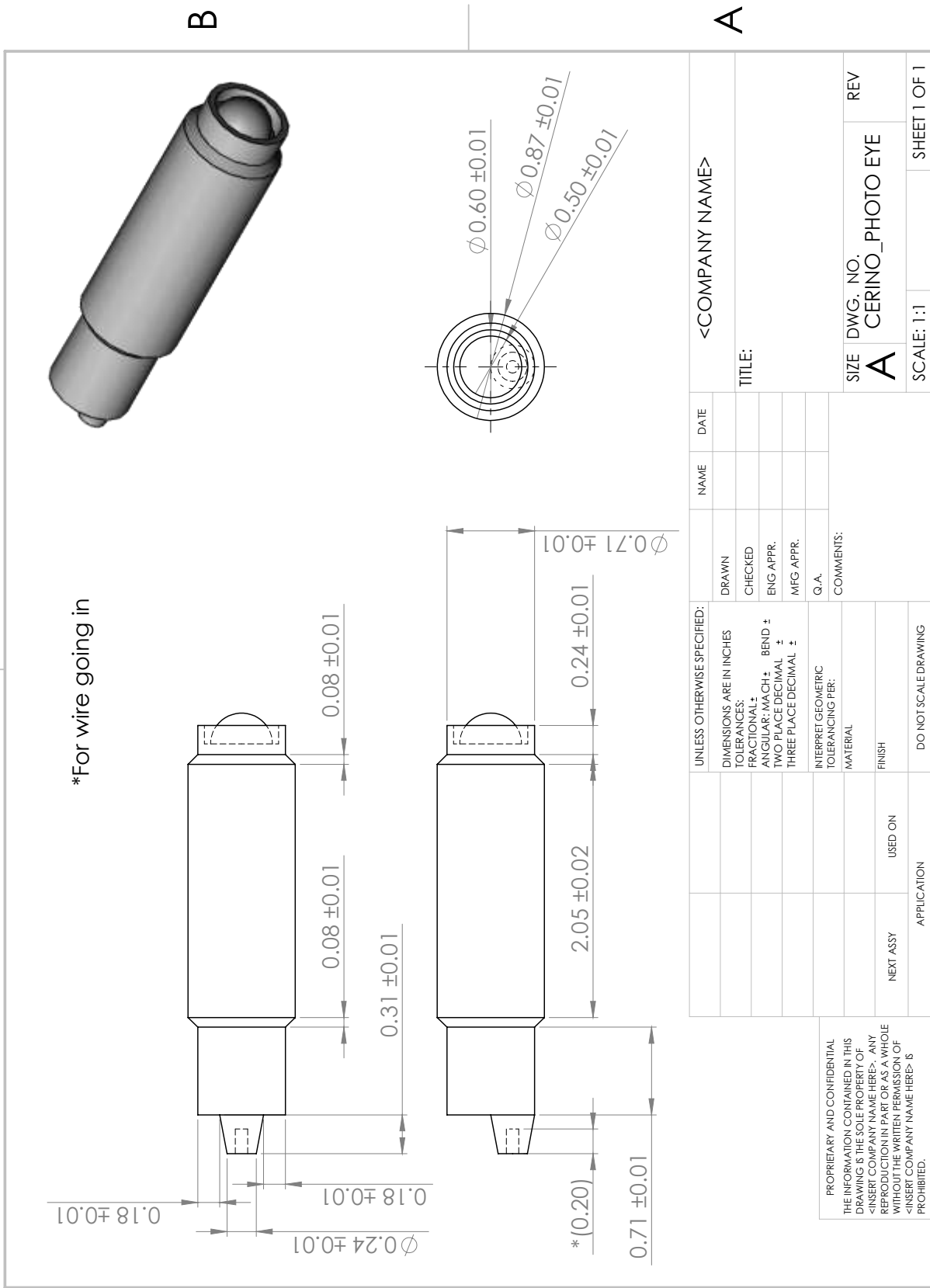
UNLESS OTHERWISE SPECIFIED: DIMENSIONS ARE IN INCHES TOLERANCES: FRACTIONAL: ± ANGULAR: MACH ± TWO PLACE DECIMAL ± THREE PLACE DECIMAL ±		DRAWN	NAME	DATE	<COMPANY NAME>	
INTERPRET GEOMETRIC TOLERANCING PER:		CHECKED			TITLE:	
MATERIAL: Steel 1025		ENG APPR.			SIZE DWG. NO. REV	
FINISH		MFG APPR.			A CERINO_PLATE	
NEXT ASSY		Q.A.			SCALE: 1:10 SHEET 1 OF 1	
APPLICATION		COMMENTS:			1	
DO NOT SCALE DRAWING						

PROPRIETARY AND CONFIDENTIAL
 THE INFORMATION CONTAINED IN THIS
 DRAWING IS THE SOLE PROPERTY OF
 <INSERT COMPANY NAME HERE>. ANY
 REPRODUCTION IN PART OR AS A WHOLE
 WITHOUT THE WRITTEN PERMISSION OF
 <INSERT COMPANY NAME HERE> IS
 PROHIBITED.

1

2

*For wire going in



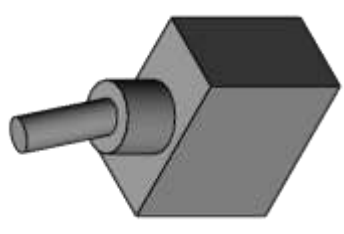
UNLESS OTHERWISE SPECIFIED:		NAME	DATE	<COMPANY NAME>	
DIMENSIONS ARE IN INCHES		DRAWN		TITLE:	
TOLERANCES:		CHECKED			
FRACTIONAL ±		ENG APPR.			
ANGULAR: MACH ± BEND ±		MFG APPR.			
TWO PLACE DECIMAL ±		Q.A.			
THREE PLACE DECIMAL ±		COMMENTS:			
INTERPRET GEOMETRIC TOLERANCING PER:				SIZE	DWG. NO.
MATERIAL				A	CERINO_PHOTO EYE
FINISH				SCALE: 1:1	SHEET 1 OF 1
NEXT ASSY		USED ON		REV	
APPLICATION		DO NOT SCALE DRAWING			
PROPRIETARY AND CONFIDENTIAL THE INFORMATION CONTAINED IN THIS DRAWING IS THE SOLE PROPERTY OF <INSERT COMPANY NAME HERE>. ANY REPRODUCTION IN PART OR AS A WHOLE WITHOUT THE WRITTEN PERMISSION OF <INSERT COMPANY NAME HERE> IS PROHIBITED.					

1

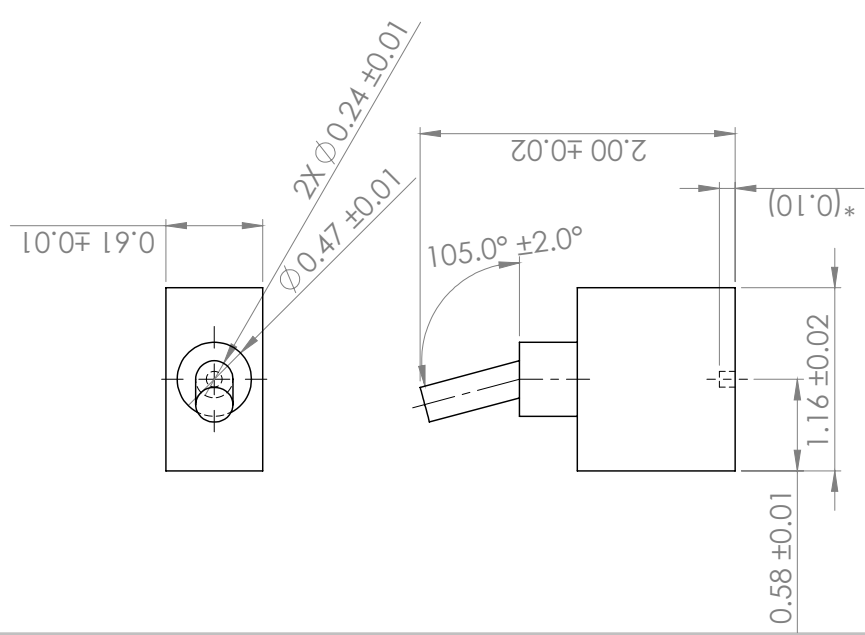
2

1

2



*For wire going in



A

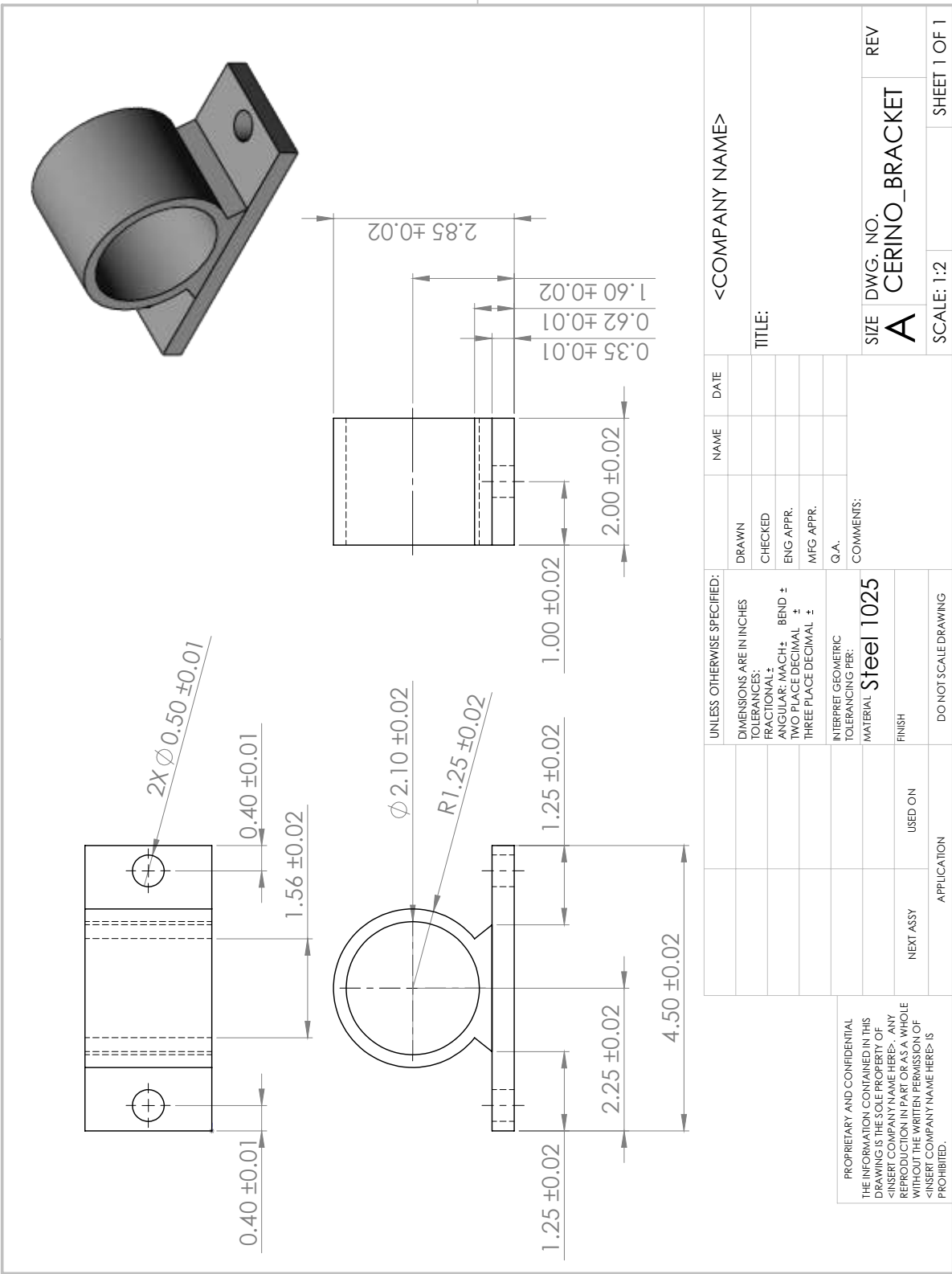
B

UNLESS OTHERWISE SPECIFIED:		DRAWN		NAME		DATE		<COMPANY NAME>	
DIMENSIONS ARE IN INCHES		CHECKED						TITLE:	
TOLERANCES:		ENG APPR.						SIZE DWG. NO. REV	
FRACTIONAL ±		MFG APPR.						A CERINO_TOGGLE SWITCH	
ANGULAR: MACH ±		Q.A.						SCALE: 1:1 SHEET 1 OF 1	
BEND ±		COMMENTS:							
TWO PLACE DECIMAL ±		MATERIAL							
THREE PLACE DECIMAL ±		FINISH							
INTERPRET GEOMETRIC TOLERANCING PER:		USED ON							
DO NOT SCALE DRAWING		APPLICATION							
NEXT ASSY									

PROPRIETARY AND CONFIDENTIAL
 THE INFORMATION CONTAINED IN THIS DRAWING IS THE SOLE PROPERTY OF <INSERT COMPANY NAME HERE>. ANY REPRODUCTION IN PART OR AS A WHOLE WITHOUT THE WRITTEN PERMISSION OF <INSERT COMPANY NAME HERE> IS PROHIBITED.

1

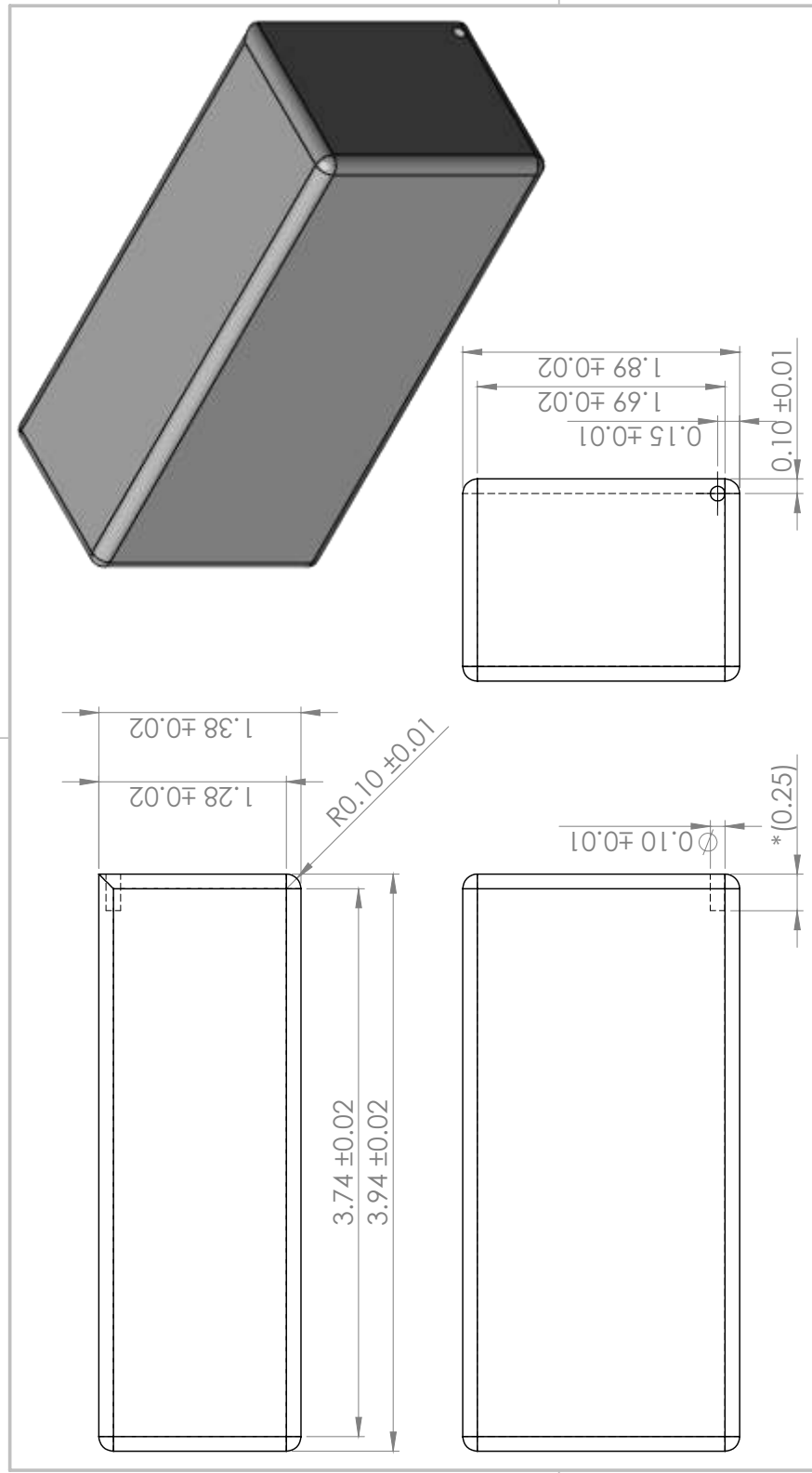
1



2

1

2



1

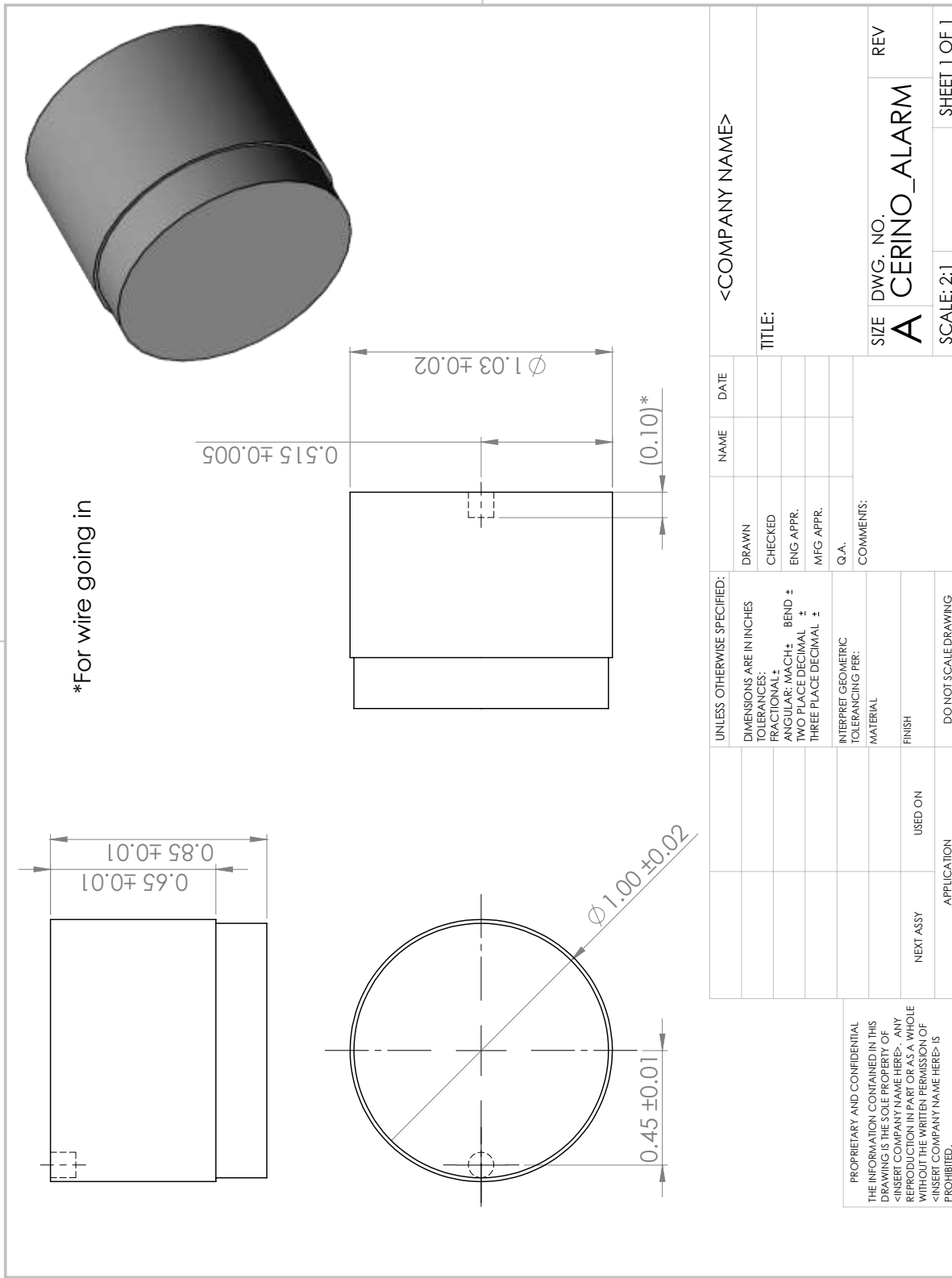
UNLESS OTHERWISE SPECIFIED:		NAME	DATE	<COMPANY NAME>	
DIMENSIONS ARE IN INCHES		DRAWN		TITLE:	
TOLERANCES:		CHECKED			
FRACTIONAL: ±		ENG APPR.			
ANGULAR: MACH ±		MFG APPR.			
BEND ±		Q.A.			
TWO PLACE DECIMAL ±		COMMENTS:			
THREE PLACE DECIMAL ±					
INTERPRET GEOMETRIC TOLERANCING PER:				SIZE DWG. NO. REV	
MATERIAL				A CERINO_BATTERY	
FINISH				SCALE: 1:1 SHEET 1 OF 1	
NEXT ASSY		USED ON			
APPLICATION		DO NOT SCALE DRAWING			

*For wire going in

PROPRIETARY AND CONFIDENTIAL
 THE INFORMATION CONTAINED IN THIS DRAWING IS THE SOLE PROPERTY OF SOLIDWORKS. REPRODUCTION OR TRANSMISSION IN ANY FORM OR BY ANY MEANS WITHOUT THE WRITTEN PERMISSION OF SOLIDWORKS IS PROHIBITED.

2

1



*For wire going in

0.515 ± 0.005

$\phi 1.03 \pm 0.02$

(0.10)*

0.65 ± 0.01
0.85 ± 0.01

$\phi 1.00 \pm 0.02$

0.45 ± 0.01

A

A

B

B

UNLESS OTHERWISE SPECIFIED:		NAME	DATE	<COMPANY NAME>	
DIMENSIONS ARE IN INCHES	DRAWN			TITLE:	
TOLERANCES:	CHECKED			SIZE DWG. NO. REV	
FRACTIONAL ±	ENG APPR.			A CERINO_ALARM	
ANGULAR: MACH ± BEND ±	MFG APPR.			SCALE: 2:1 SHEET 1 OF 1	
TWO PLACE DECIMAL ±	Q.A.				
THREE PLACE DECIMAL ±	COMMENTS:				
INTERPRET GEOMETRIC TOLERANCING PER:					
MATERIAL					
FINISH					
NEXT ASSY	USED ON				
APPLICATION	DO NOT SCALE DRAWING				

PROPRIETARY AND CONFIDENTIAL
THE INFORMATION CONTAINED IN THIS DRAWING IS THE SOLE PROPERTY OF <INSERT COMPANY NAME HERE>. ANY REPRODUCTION IN PART OR AS A WHOLE WITHOUT THE WRITTEN PERMISSION OF <INSERT COMPANY NAME HERE> IS PROHIBITED.

1

References

- “18mm AC-Powered (MQ/ MV Series) Photoelectric Sensors.” *Photoelectric Sensors - 18mm AC-Powered (MQ/ MV Series)*, AutomationDirect, www.automationdirect.com/adc/overview/catalog/sensors_-z-_encoders/photoelectric_sensors/18mm_round_-_ac_powered.
- “Active Shooter Incidents in the United States in 2019.” *FBI*, FBI, 8 Apr. 2020, www.fbi.gov/file-repository/active-shooter-incidents-in-the-us-2019-042820.pdf/view.
- “BEAM DIAGRAMS AND FORMULAS For Various Static Loading Conditions, AISC ASD 8th Ed.” ARCH 331.
- Das, Biman, and Yanqing Wang. “Isometric Pull-Push Strengths in Workspace: 1. Strength Profiles.” *International Journal of Occupational Safety and Ergonomics*, vol. 10, no. 1, 8 Jan. 2015, pp. 43–58., doi:10.1080/10803548.2004.11076594.
- Erardi, Paola. *What Are the Dimensions of a Classroom Door?*, FindAnyAnswer, 24 Feb. 2020, findanyanswer.com/what-are-the-dimensions-of-a-classroom-door.
- “LiPo 2250 6S 22.2v Battery Pack.” *MaxAmps.com*, MaxAmps, 6 Nov. 2019, www.maxamps.com/lipo-2250-6s-22-2v-battery-pack?gclid=EAIaIQobChMIn53G6_rO7gIVCr3ICh10WgpTEAQYESABEgKqkPD_BwE.
- “M-80/M-100 Series.” *Floydbell.com*, Floyd Bell, Inc., www.floydbell.com/parts/M100W?gclid=EAIaIQobChMIm7zK87Ga7wIV3TizAB3bTwFEAAQYBSABEgLWdfD_BwE.
- Nilight Store. “Nilight 90012E Heavy Duty Rocker Toggle 15A 250V 20A 125V SPST 2Pin ON/Off Switch Metal Bat Waterproof Boot Cap Cover-5 Pack, 2 Years Warranty.” *Amazon*, Amazon.com, 22 Dec. 2017, Nilight 90012E Heavy Duty Rocker

Toggle 15A 250V 20A 125V SPST 2Pin ON/Off Switch Metal Bat Waterproof Boot Cap
Cover-5 Pack, 2 Years Warranty.

Oberg, Erik. *Machinery's Handbook 29th Edition Large Print*. Industrial Press Incorporated,
2012.

“Spring-Tempered Steel Compression Spring.” *McMaster-Carr*, McMaster-Carr,
www.mcmaster.com/96485K154/.

Uxcell Store. “Uxcell 12V DC 800N Electric Lifting Magnet Electromagnet Solenoid Lift
Holding.” *Amazon.com*, Amazon.com, Inc., 12 Jan. 2017, [www.amazon.com/uxcell-
Electric-Lifting-Electromagnet-
Solenoid/dp/B01N3386NB/ref=sr_1_7?crid=2LS9OYWP5B04B&dchild=1&keywords=so
lenoid+magnet&qid=1609183291&srefix=solenoid%2Caps%2C216&sr=8-7](http://www.amazon.com/uxcell-Electric-Lifting-Electromagnet-Solenoid/dp/B01N3386NB/ref=sr_1_7?crid=2LS9OYWP5B04B&dchild=1&keywords=solenoid+magnet&qid=1609183291&srefix=solenoid%2Caps%2C216&sr=8-7).

Appendix

Alex Cerino

Mr. Lukach

Mechanical Projects

1/14/2021

Door Barricade: Progress Report #1

The name of my project is “door barricade.” I have been using SolidWorks for drawing my project. I have accomplished a lot already for my project.

- I have already drawn sketches of my design and some of the parts.
- I have drawn most of the 3D versions of the parts in SolidWorks.
- I have assembled all of my parts in SolidWorks.
- I have made a subassembly out of two parts for my design.

Alex Cerino

Mr. Lukach

Mechanical Projects

2/21/2021

Door Barricade: Progress Report #2

- 95% of my 3D drawings are done for my parts.
- 10% of the written report is done.
- 90% of my materials selection is done.
- 85% of my calculations are done for the project.
- 98% of my assembly drawing is done.
- By the next progress report, I hope to finalize all of my material selections.
- I hope to also have at least 50% of my detail drawings done.
- I plan on having the whole intro, references and completed drawings all in my written report.

Alex Cerino

Mr. Lukach

Mechanical Projects

3/18/2021

Door Barricade: Progress Report #3

- 95% completion of written report introduction, body and conclusion.
- 100% completion of calculations including statics and springs.
- 100% completion of material selection.
- 100% completion of assembly drawing.
- 100% completion of detail drawings.
- Modified timeline to match completed parts.